

Attachments

for RI450ROW INDEPENDENT CORNHEADER -

UNTIL S_N 513168296 (9_00-)

EXCEPT FROM 513168220 UNTIL 513168268

FX28 SELF-PROPELLED FORAGE HARVESTER (9/98-)

FX38 SELF-PROPELLED FORAGE HARVESTER (9/98-)

FX48 SELF-PROPELLED FORAGE HARVESTER (9/98-)

FX58 SELF-PROPELLED FORAGE HARVESTER (9/98-)

WWW.KORMO.BY

MAIN SECTIONS

SECTIONS PRINCIPALES

SECCIONES PRINCIPALES

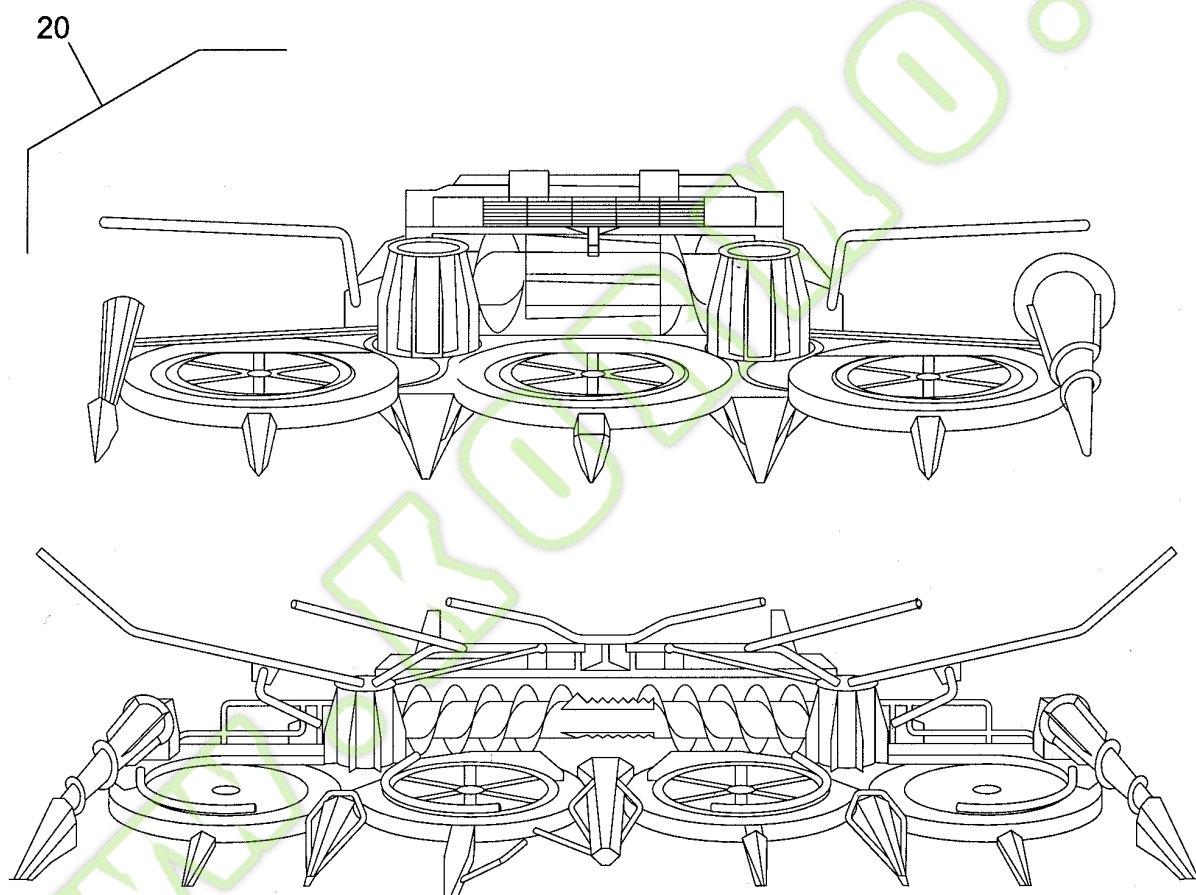
HOVEDAFSNIT

SEZIONI PRINCIPALI

HAUPTABSCHNITTE

SECÇÕES PRINCIPAIS

HOOFDSECTIES



0.0016(01) MAIN SECTIONS

Ref	Part Number	Qty	Description
<p>WWW.KORMO.BY</p>			



HEADERS

BEC CUEILLEUR

BARRA

SKÆREBORDE

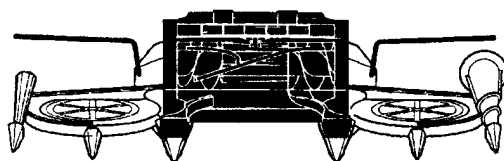
BARRA

SCHNEIDWERK

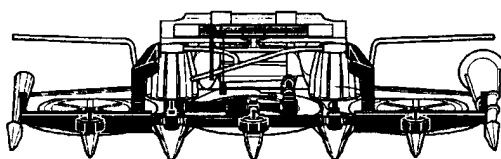
CABEÇALHO DE CEIFA

MAAIBORDEN

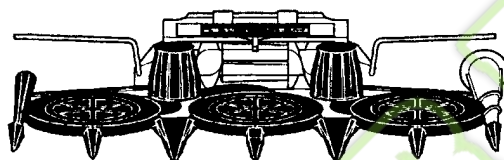
SEC. 20



20.001-20.006



20.007, 20.008



20.011-20.016, 20.021



20.017, 20.032, 20.033



20.018-20.022A



20.009, 20.010, 20.023-20.031



20.034-20.042



20.043-20.045

Ref	Part Number	Qty	Description
<p>WWW.KORMO.BY</p>			

**VERSION LIST
ELENCO VERSIONI
LISTE DE VERSION
VERZEICHNIS DER VERSIONEN**

**LISTA DE VERSIONES
LISTA DAS VERSÕES
TYPELISTE
LIJST VAN VERSIES**

Vehicle	Modelo	Chassi	Chasis	Engine	Motor
Modello	Modelo	Telaio	Armação	Motore	Motor
Modele	Model	Chassis	Stativ	Moteur	Motor
Modells	Model	Fahrgestell	Raam	Motor	Motor
RI450		513168XXX			
RI600		523168XXX			

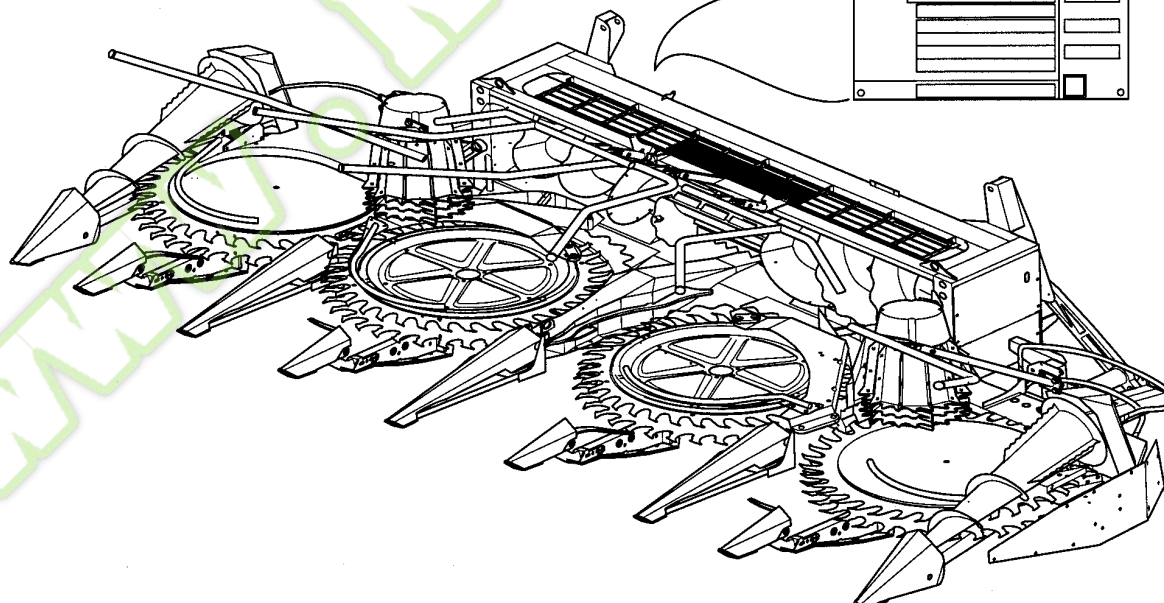
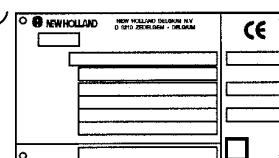
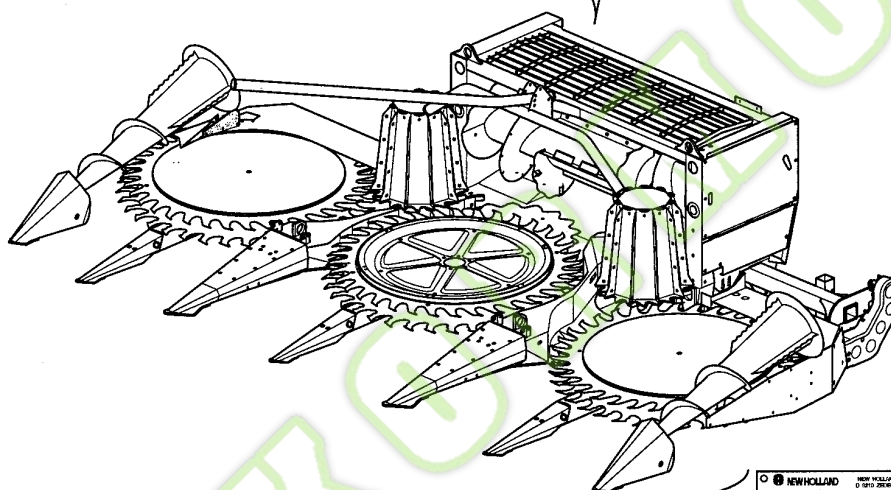
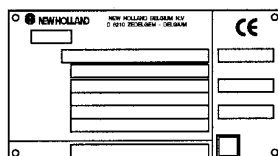
0.0037(01) VERSION LIST

Ref	Part Number	Qty	Description
<p>WWW.KORMO.BY</p>			

IDENTIFICATION PLATES
TARGHETTE DI IDENTIFICAZIONE
PLAQUES D'IDENTIFICATION
TYPENSCHILDER

PLACAS DE IDENTIFICACIÓN
CHAPAS DE IDENTIFICAÇÃO
IDENTIFIKATIONSPLADER
IDENTIFICATIEPLATEN

VEHICLE IDENTIFICATION
IDENTIFICAZIONE MODELLO
IDENTIFICATION MODELE
KENNZEICHEN MODELLS
IDENTIFICACION MODELO
IDENTIFICAÇÃO DO MODELO
MODELKENDINGSPLADE
MODELIDENTIFICATIE

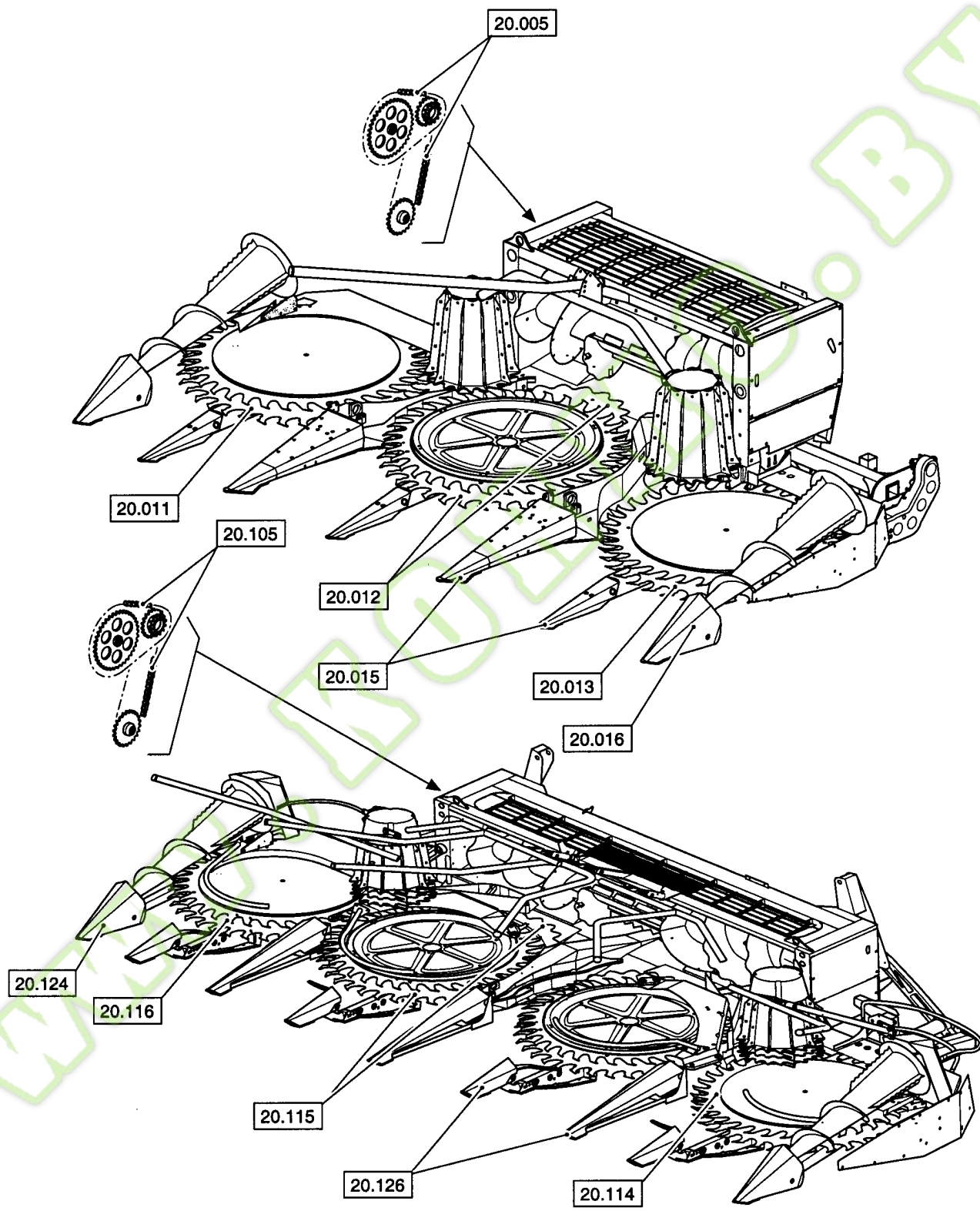


0.0038(01) IDENTIFICATION PLATES

Ref	Part Number	Qty	Description
<p>WWW.KORMO.BY</p>			

MAINTENANCE PARTS
PARTICOLARI PER LA MANUTENZIONE
PIECES DE MAINTENANCE
TEILE FÜR DIE INSTANDHALTUNG

PIEZAS DE MANTENIMIENTO
PEÇAS DE MANUTENÇÃO
VEDLIGEHOULDESESEDELE
ONDERDELEN VOOR ONDERHOUD



Ref	Part Number	Qty	Description
<p>WWW.KORMO.BY</p>			

HEADERS

BEC CUEILLEUR

BARRA

SKÆREBORDE

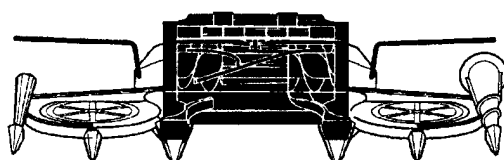
BARRA

SCHNEIDWERK

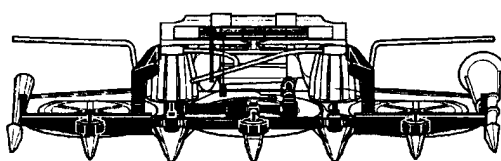
CABEÇALHO DE CEIFA

MAAIBORDEN

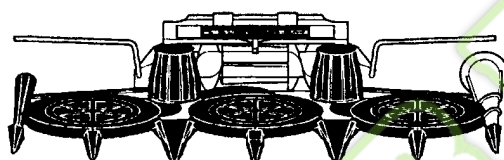
SEC. 20



20.001-20.006



20.007, 20.008



20.011-20.016, 20.021



20.017, 20.032, 20.033



20.018-20.022A



20.009, 20.010, 20.023-20.031



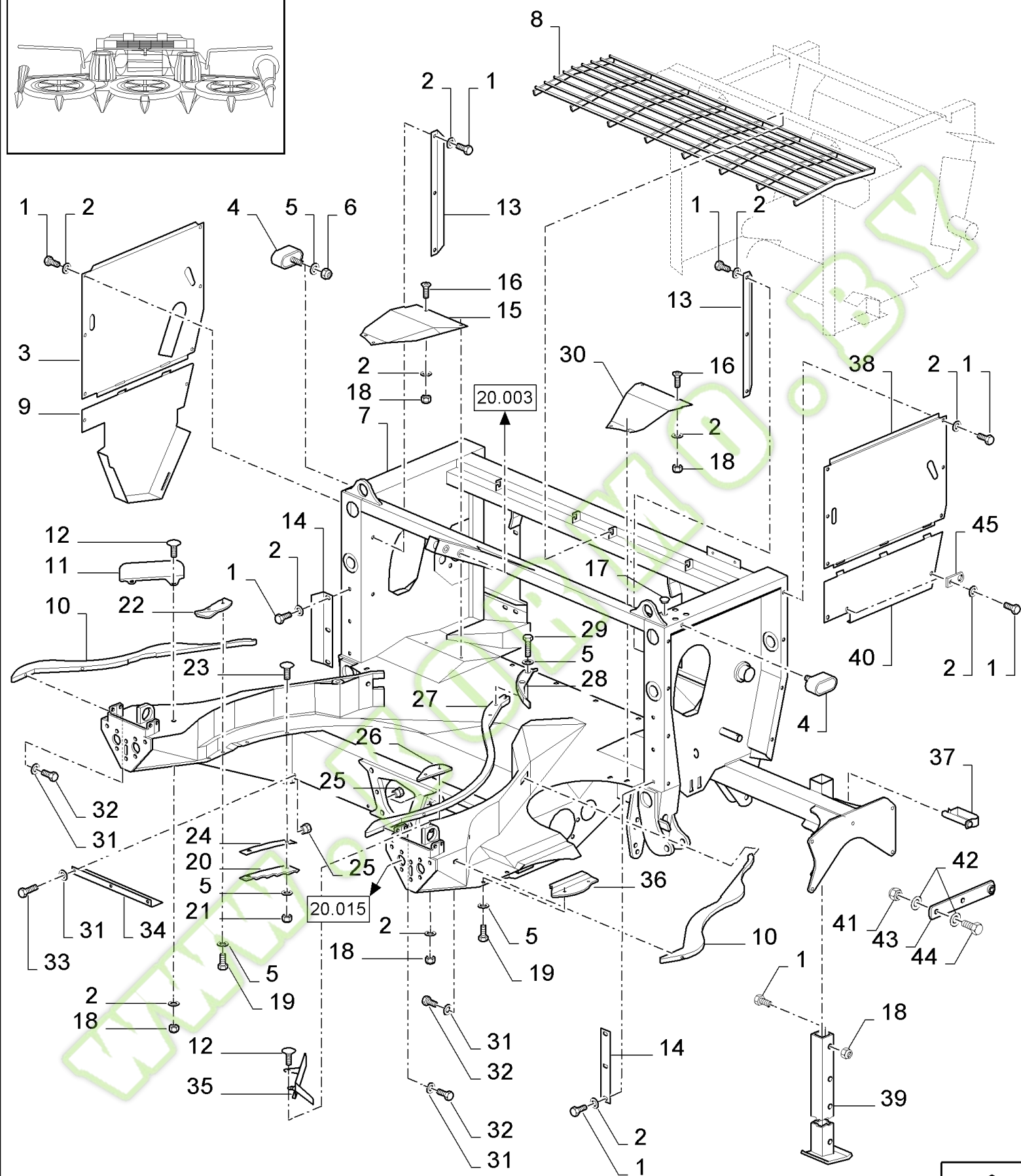
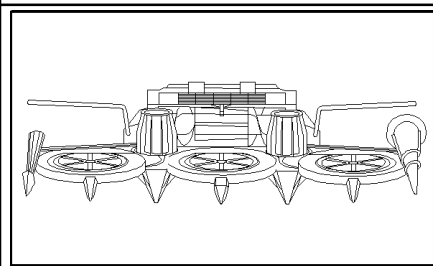
20.034-20.042



20.043-20.045

Ref	Part Number	Qty	Description
<p>WWW.KORMO.BY</p>			

20.001(01) FRAME AND ATTACHING PARTS



20.001(01) FRAME AND ATTACHING PARTS

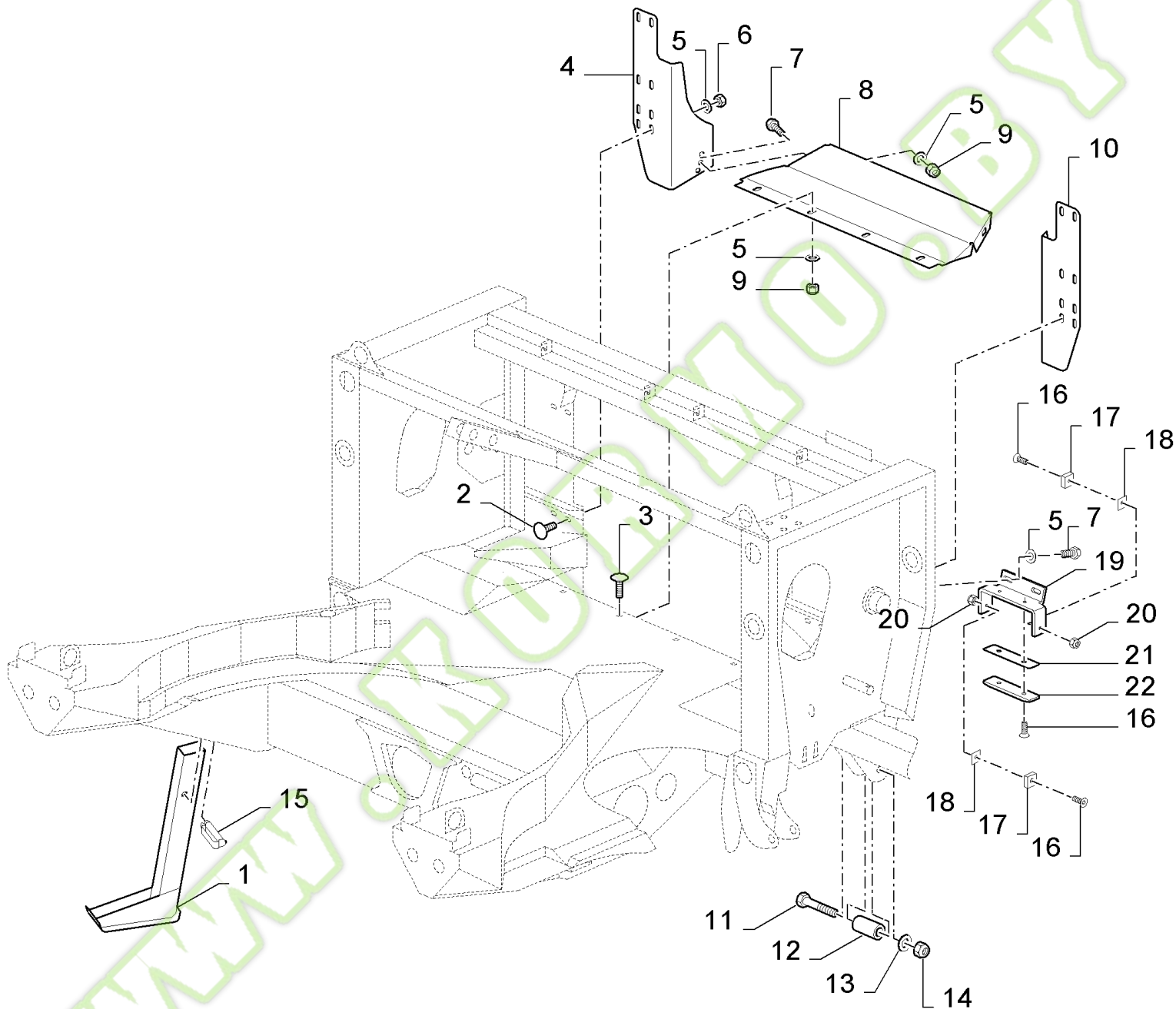
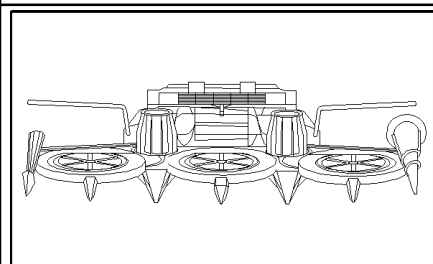
Ref	Part Number	Qty	Description
2	322358	42	WASHER, LOCK, {PP:80322358} Belleville, M8, 8MM
3	84819798	1	GUARD, RH
4	84100432	2	STOP,
5	140045	14	WASHER, LOCK, {PP:80140045} Belleville, M10, 10MM
6	100016	2	NUT, {PP:80100016} M10, CI 8, M10
7	84819800	1	FRAME,
8	84400586	1	GRILLE,
9	82847734	1	GUARD, RH
10	84400543	2	GUIDE,
11	84400625	1	COVER,
12	412430	4	BOLT, {PP:80412430} Short NK, M6 x 16, CI8.8, Full Thd, M8x16
13	84038427	2	BLADE, SCRAPER,
14	84400632	2	GUIDE,
15	84400538	1	PLATE, RH
16	412710	8	SCREW, {PP:80412710} Hex Soc Flat Hd, M6 x 20, 10.9, M8x20
17	84038425	8	PLUG,
18	100067	18	NUT, {PP:80100067} M8 x 1.25", CI 8, M8
19	80300383	8	SCREW, M10x16
20	84400569	1	KNIFE,
21	100037	2	NUT, {PP:80100037} M10 x 1.5, CI 8, M10
22	84400542	1	SHEAR BAR,
23	338949	2	SCREW, {PP:80338949} Short NK, M10 x 25, CI8.8, Full Thd, M10x25
24	84400988	1	SHIM,
25	84400641	8	NUT,
26	84400539	1	SHEAR BAR,
27	84400544	1	PLATE,
28	84400565	1	GUIDE,
29	120111	2	SCREW, {PP:80120111} Hex, M10 x 30, 8.8, M10x30
30	84400537	1	PLATE, LH
31	322358	12	WASHER, LOCK, {PP:80322358} Belleville, M8, 8MM
32	80120104	6	SCREW, M8x20
33	43127	6	BOLT, {PP:80043127} Hex, M8 x 25, 8.8, M8x25
34	82847936	2	ANGLE,
35	84819804	1	COVER,
36	84400540	1	SHEAR BAR, LH
36	84400541	1	SHEAR BAR, RH
37	749412	2	PIN, {PP:80749412}
38	84400688	1	GUARD, LH
39	84814130	2	SUPPORT,
40	84400690	1	GUARD, LH
41	100038	1	NUT, LOCK, {PP:80100038} M12 x 1.75, CI 8, M12
42	140046	2	WASHER, LOCK, {PP:80140046} Belleville, M12, 12MM
43	84814174	1	SUPPORT,
44	300389	1	SCREW, {PP:80300389} Hex, M12 x 35, 8.8, Full Thd, M12x35
45	84814175	1	PLATE,

20.001(01) FRAME AND ATTACHING PARTS

Ref	Part Number	Qty	Description
1	16043224	26	SCREW, Hex, M8 x 16, 8.8, Full Thd, M8x16

WWW.KORMO.BY

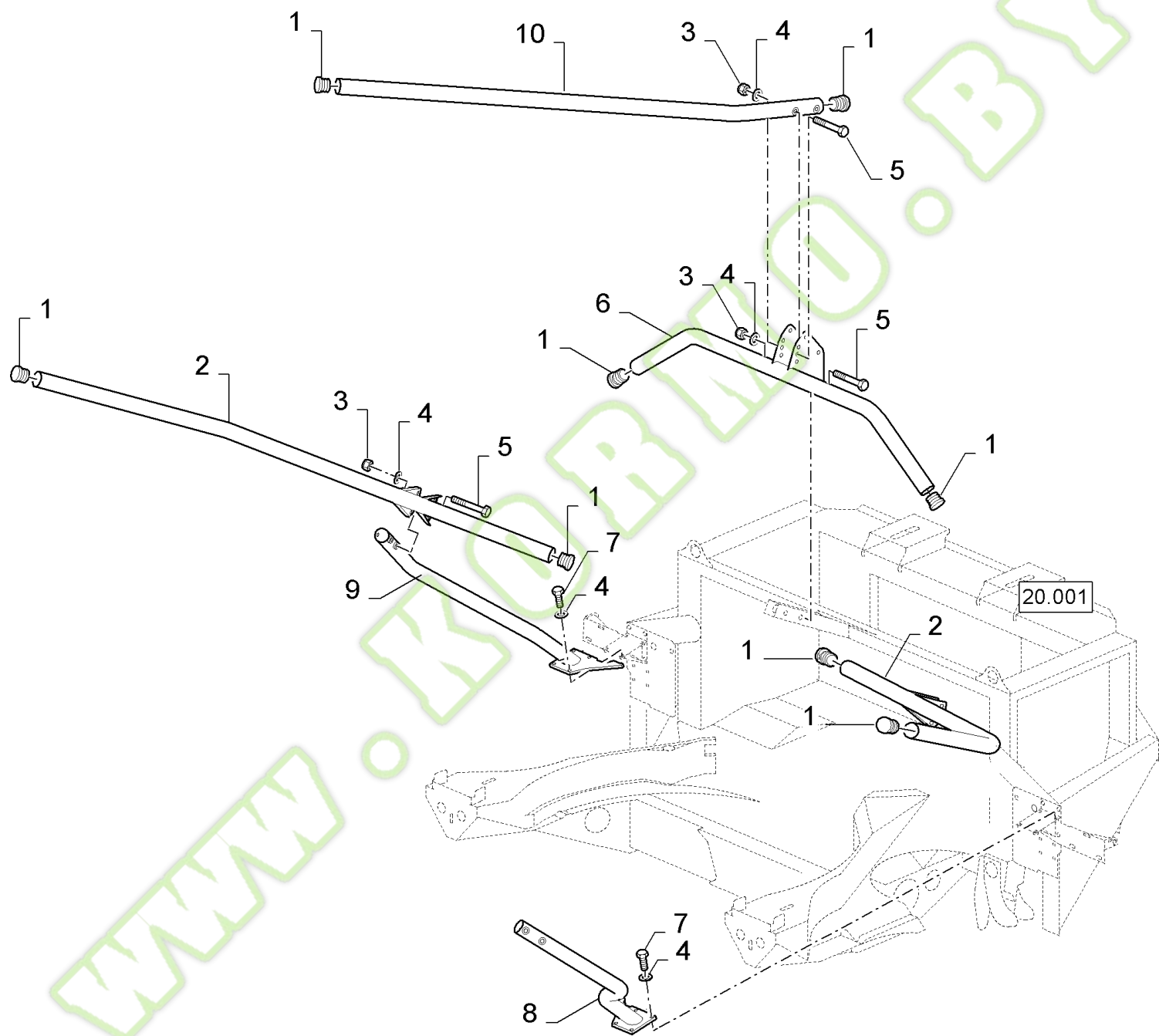
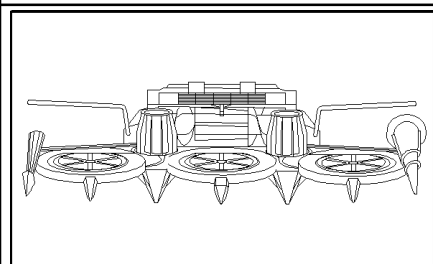
20.002(01) FEED PLATES



20.002(01) FEED PLATES

Ref	Part Number	Qty	Description
1	84814131	1	SUPPORT,
2	120041	8	BOLT, {PP:80120041} Short NK, M10 x 20, CI8.8, Full Thd, M10x20
3	80120042	4	BOLT, M10x30
4	84400536	1	PLATE, RH
5	140045	10	WASHER, LOCK, {PP:80140045} Belleville, M10, 10MM
6	100016	8	NUT, {PP:80100016} M10, CI 8, M10
7	120110	4	SCREW, {PP:80120110} Hex, M10 x 25, 8.8, Full Thd, M10x25
8	84790327	1	SEAT,
9	100037	8	NUT, {PP:80100037} M10 x 1.5, CI 8, M10
10	84400535	1	PLATE, LH
11	350616	2	SCREW, {PP:80350616} Hex, M16 x 90, 8.8, M16x90
12	84031668	2	BUSHING,
13	140048	2	WASHER, LOCK, {PP:80140048} Belleville, M16, 16MM
14	100039	2	NUT, {PP:80100039} M16 x 2, CI 8, M16
15	749412	2	PIN, {PP:80749412}
16	412710	4	SCREW, {PP:80412710} Hex Soc Flat Hd, M6 x 20, 10.9, M8x20
17	84806019	AR	PLATE,
18	84814132	2	SHIM,
19	82847970	1	BAIL,
20	100015	2	NUT, {PP:80100015} M8, CI 8, M8
21	84819806	1	SHIM,
22	84819807	1	PLATE,

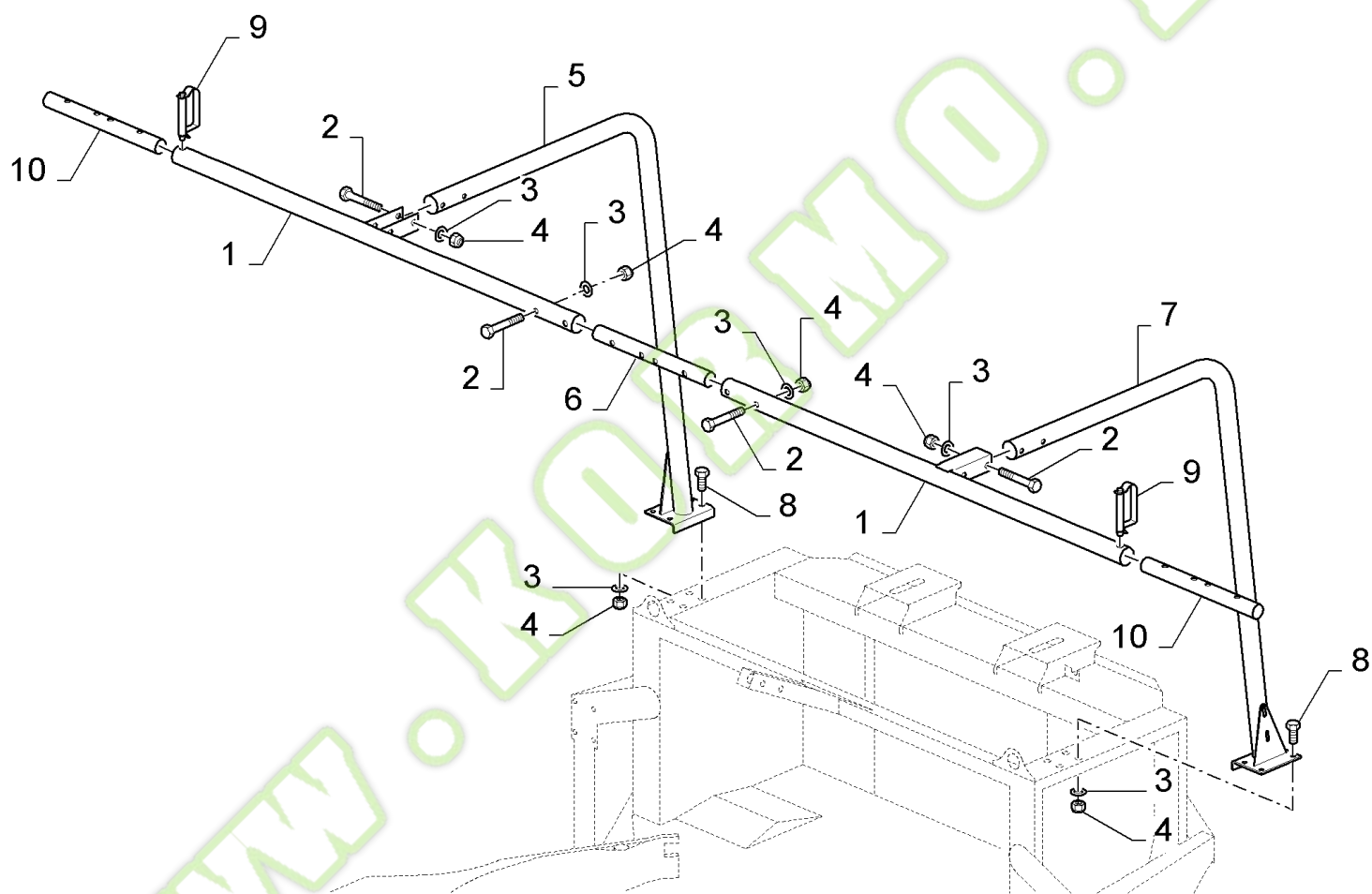
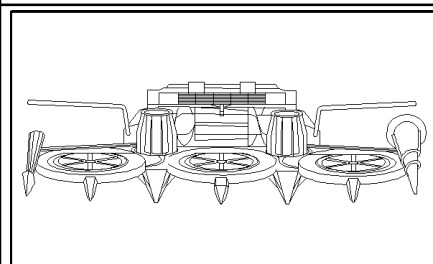
20.003(01) CROP GUIDE



20.003(01) CROP GUIDE

Ref	Part Number	Qty	Description
1	84400630	7	PLUG,
2	84400548	2	GUIDE,
3	100037	12	NUT, {PP:80100037} M10 x 1.5, CI 8, M10
4	140045	20	WASHER, LOCK, {PP:80140045} Belleville, M10, 10MM
5	80749443	8	BOLT, M10x85
6	84400552	1	SUPPORT,
7	120112	4	SCREW, {PP:80120112} Hex, M10 x 40, 8.8, Full Thd, M10x40
8	84400549	1	SUPPORT, LH, UNTIL S/N 513168349
8	82847886	1	SUPPORT, LH, FROM S/N 513168350 ONWARDS
9	84400550	1	SUPPORT, RH, UNTIL S/N 513168349
9	82847888	1	SUPPORT, RH, FROM S/N 513168350 ONWARDS
10	84400551	1	GUIDE,
11	120113	4	BOLT, {PP:80120113} Hex, M10 x 50, 8.8, Full Thd, M10x50

WWW.KORMO.BY

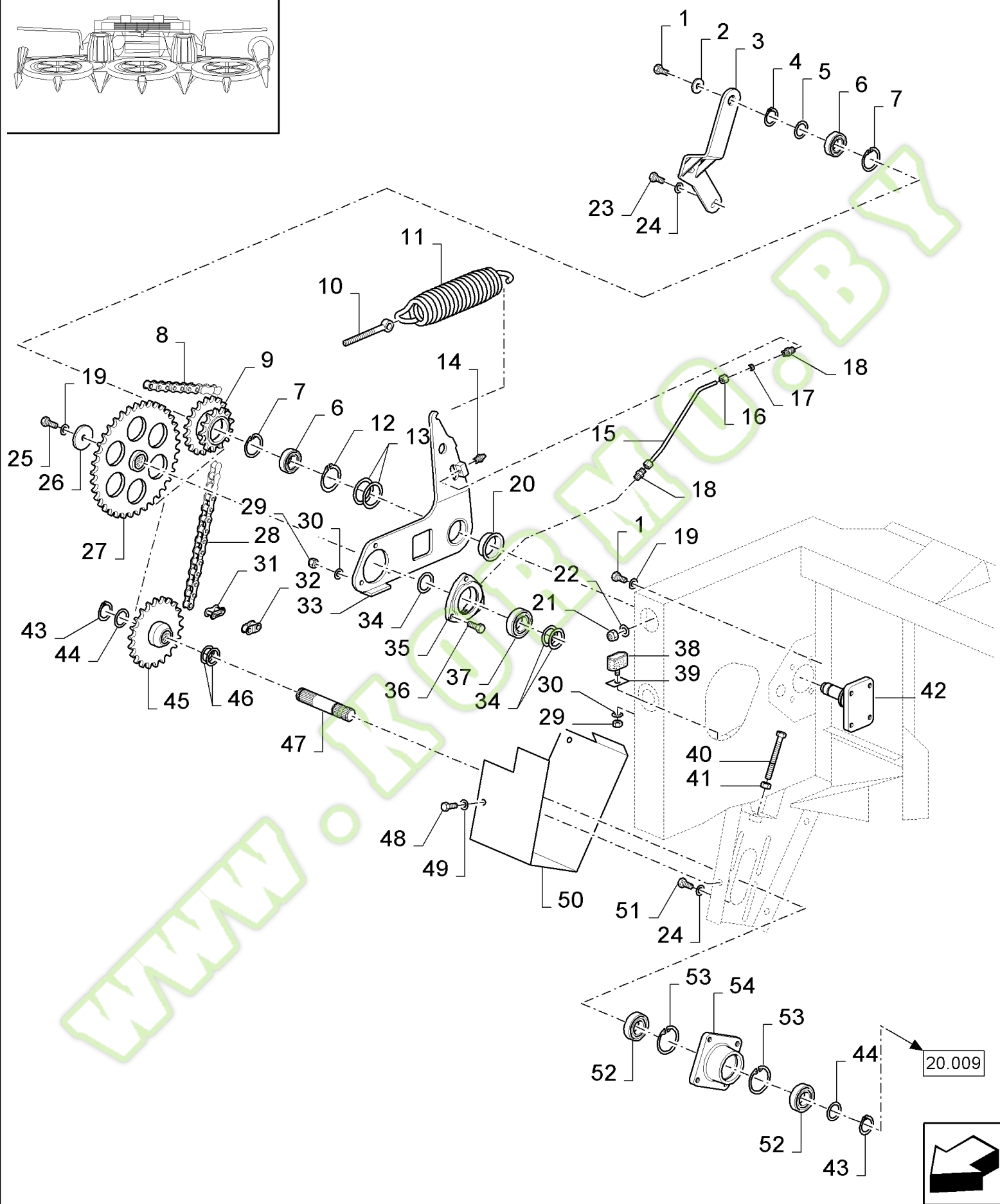
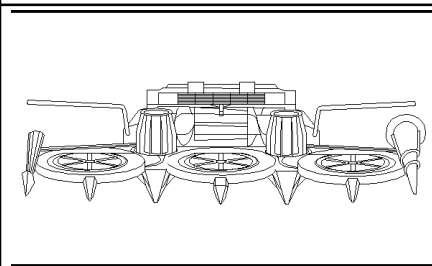


20.004(01) CROP GUIDE

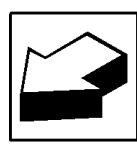
Ref	Part Number	Qty	Description
1	84400990	2	TUBE,
2	355788	8	SCREW, {PP:80355788} Hex, M10 x 70, 10.9, M10x70
3	140045	28	WASHER, LOCK, {PP:80140045} Belleville, M10, 10MM
4	100037	16	NUT, {PP:80100037} M10 x 1.5, CI 8, M10
5	84400991	1	SUPPORT, RH
6	84400992	3	TUBE,
7	84400993	1	SUPPORT, LH
8	120110	8	SCREW, {PP:80120110} Hex, M10 x 25, 8.8, Full Thd, M10x25
9	749412	4	PIN, {PP:80749412}
10	84400994	2	TUBE,

WWW.KORMO.BY

20.005(01) FEEDER AUGER DRIVE



20.009



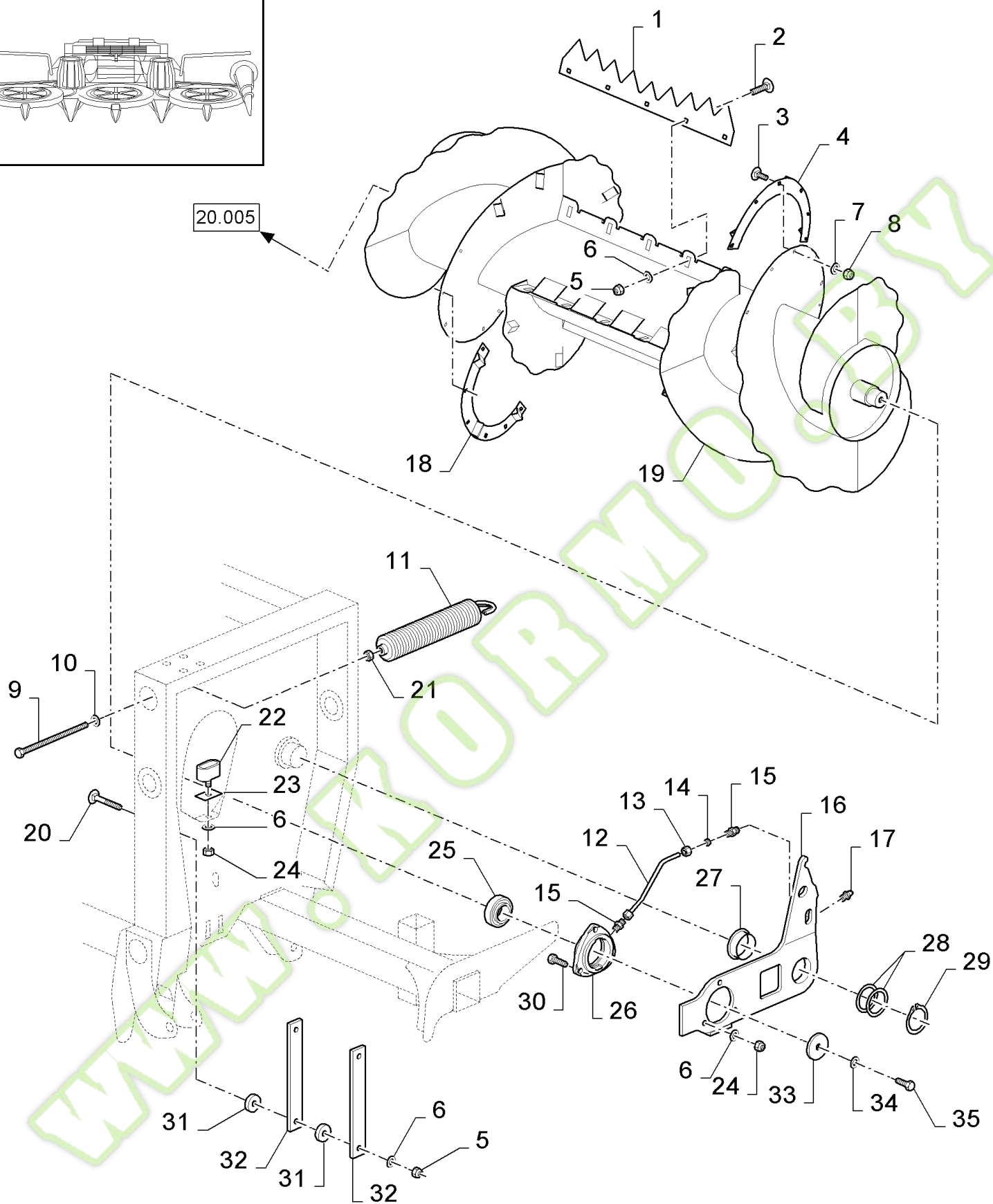
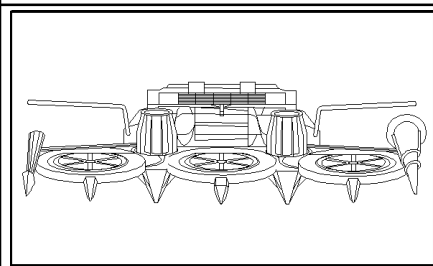
20.005(01) FEEDER AUGER DRIVE

Ref	Part Number	Qty	Description
1	385376	5	SCREW, {PP:80385376} M12x30
2	84014353	1	WASHER, LOCK,
3	84819815	1	SUPPORT,
4	370003	1	CIRCLIP, {PP:80370003}
5	748212	1	PLATE, ADJUSTING, {PP:80748212}
6	210043	2	BEARING ASSY, {PP:80210043}
7	370012	2	CIRCLIP, {PP:80370012}
8	84819816	1	DRIVE CHAIN,
9	84819818	1	SPROCKET,
10	424167	1	EYEBOLT, {PP:80424167}
11	84400758	1	SPRING,
12	327911	1	CIRCLIP, {PP:80327911}
13	82847804	AR	WASHER,
14	412646	1	NIPPLE, LUBE, {PP:80412646}
15	80749400	1	TUBE,
16	80749199	2	CONNECTOR, HYD.,
17	80749201	2	FERRULE,
18	80749198	2	CONNECTOR, HYD.,
19	140046	7	WASHER, LOCK, {PP:80140046} Belleville, M12, 12MM
20	80749183	1	RING,
21	100039	1	NUT, {PP:80100039} M16 x 2, CI 8, M16
22	140048	1	WASHER, LOCK, {PP:80140048} Belleville, M16, 16MM
23	300389	2	SCREW, {PP:80300389} Hex, M12 x 35, 8.8, Full Thd, M12x35
24	140046	12	WASHER, LOCK, {PP:80140046} Belleville, M12, 12MM
25	300389	2	SCREW, {PP:80300389} Hex, M12 x 35, 8.8, Full Thd, M12x35
26	80749418	2	WASHER,
27	84819820	1	SPROCKET,
28	84790114	1	DRIVE CHAIN,
28	84819828	1	DRIVE CHAIN,
29	100016	4	NUT, {PP:80100016} M10, CI 8, M10
30	140045	3	WASHER, LOCK, {PP:80140045} Belleville, M10, 10MM
31	84400996	1	LINK, CHAIN,
32	749376	1	LINK, CHAIN, {PP:80749376}
33	84819823	1	ARM,
34	84038537	AR	PLATE, ADJUSTING,
34	84038538	AR	PLATE, ADJUSTING,
35	84011411	1	HUB,
36	120201	3	SCREW, {PP:80120201} Hex, M10 x 35, 8.8, Full Thd, M10x35
37	84041642	1	BEARING ASSY,
38	84100432	1	STOP,
39	84400643	AR	PLATE,
40	120213	1	BOLT, {PP:80120213} Hex, M12 x 110, 8.8, M12x110
41	337475	2	NUT, {PP:80337475} M12, CI 10, M12
42	82847818	1	PIN,
43	440441	2	CIRCLIP, {PP:80440441}

20.005(01) FEEDER AUGER DRIVE

Ref	Part Number	Qty	Description
44	80749436	2	WASHER,
45	84819825	1	SPROCKET,
45	84819830	1	SPROCKET,
46	80749437	AR	PLATE, ADJUSTING,
46	80749438	AR	PLATE, ADJUSTING,
47	84400748	1	SHAFT,
48	120103	3	SCREW, {PP:80120103} Hex, M8 x 16, 8.8, M8x16
49	322358	3	WASHER, LOCK, {PP:80322358} Belleville, M8, 8MM
50	82847753	1	GUARD,
51	89509035	4	BOLT, M12x30
52	25953	2	BEARING, BALL, {PP:80025953}
53	370018	2	RING, SNAP, {PP:80370018}
54	84400629	1	HOUSING, BEARING, , UNTIL S/N 513168349
54	82847819	1	CARRIER, BEARING, , FROM S/N 513168350 ONWARDS

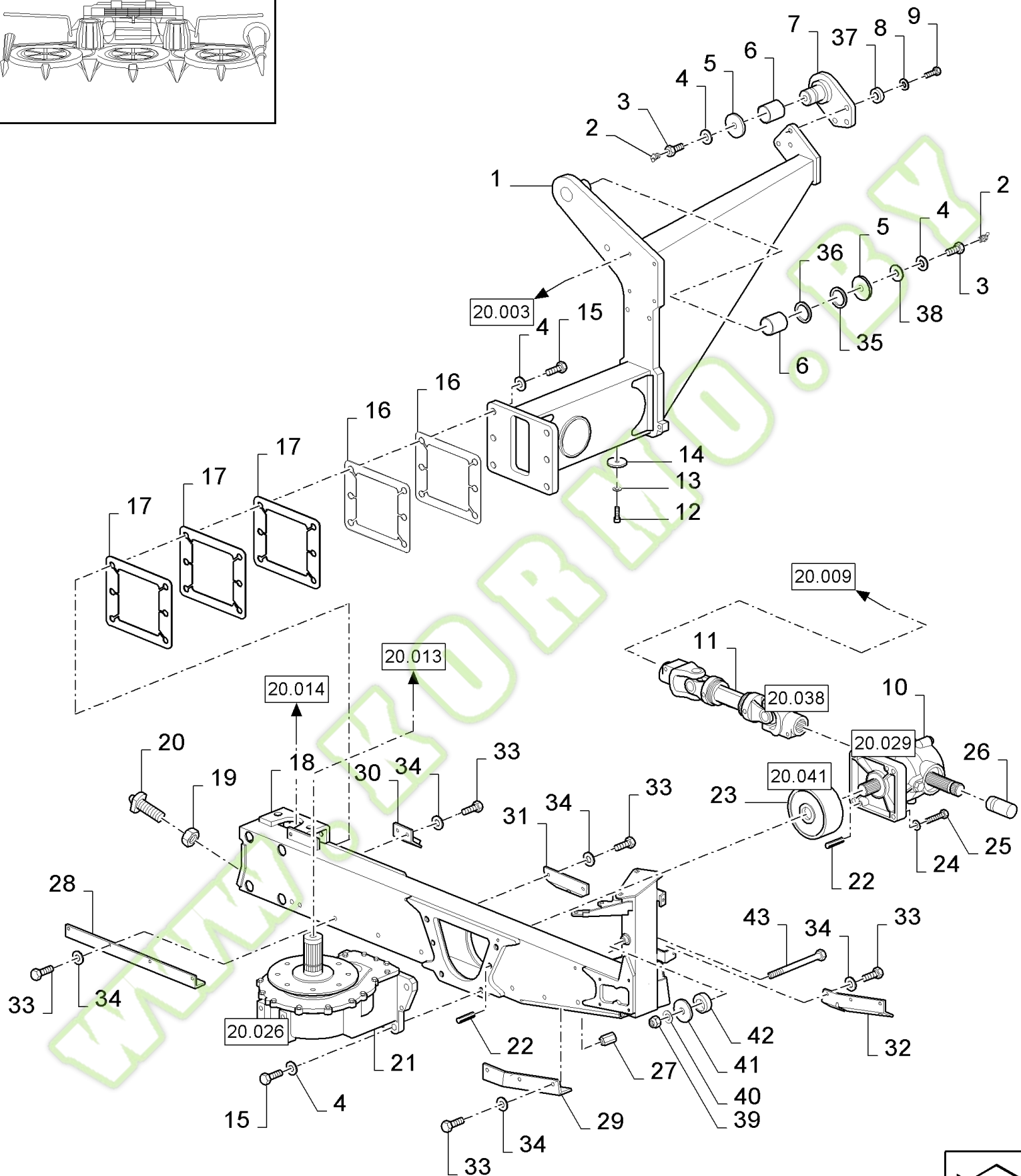
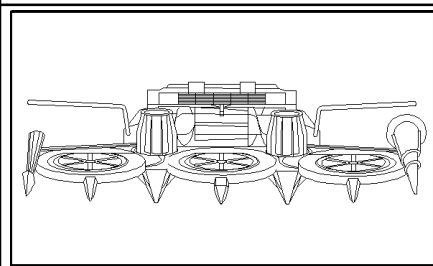
20.006(01) FEEDER AUGER



20.006(01) FEEDER AUGER

Ref	Part Number	Qty	Description
1	84807180	4	BLADE, KNIFE,
2	338949	20	SCREW, {PP:80338949} Short NK, M10 x 25, CI8.8, Full Thd, M10x25
3	120037	24	BOLT, {PP:80120037} Short NK, M8 x 20, CI8.8, Full Thd, M8x20
4	84400744	2	REINFORCEMENT, LH
5	100037	22	NUT, {PP:80100037} M10 x 1.5, CI 8, M10
6	140045	27	WASHER, LOCK, {PP:80140045} Belleville, M10, 10MM
7	322358	24	WASHER, LOCK, {PP:80322358} Belleville, M8, 8MM
8	100067	24	NUT, {PP:80100067} M8 x 1.25", CI 8, M8
9	9839346	1	SCREW, {PP:89839346} Hex, M12 x 200, 10.9, M12x200
10	140046	1	WASHER, LOCK, {PP:80140046} Belleville, M12, 12MM
11	84400757	1	SPRING,
12	80749400	1	TUBE,
13	80749199	2	CONNECTOR, HYD.,
14	80749201	2	FERRULE,
15	80749198	2	CONNECTOR, HYD.,
16	84819832	1	ARM,
17	412646	1	NIPPLE, LUBE, {PP:80412646}
18	84400745	2	REINFORCEMENT, RH
19	84819833	1	AUGER,
20	120197	2	BOLT, {PP:80120197} Short NK, M10 x 60, CI8.8, M10x60
21	337475	1	NUT, {PP:80337475} M12, CI 10, M12
22	84100432	1	STOP,
23	84400643	AR	PLATE,
24	100016	4	NUT, {PP:80100016} M10, CI 8, M10
25	84041642	1	BEARING ASSY,
26	84011411	1	HUB,
27	80749183	1	RING,
28	82847804	AR	WASHER,
29	327911	2	CIRCLIP, {PP:80327911}
30	120201	3	SCREW, {PP:80120201} Hex, M10 x 35, 8.8, Full Thd, M10x35
31	84400671	4	WASHER,
32	84400726	2	PLATE,
33	80749418	1	WASHER,
34	140046	1	WASHER, LOCK, {PP:80140046} Belleville, M12, 12MM
35	300389	1	SCREW, {PP:80300389} Hex, M12 x 35, 8.8, Full Thd, M12x35

20.007(01) DRIVE, LH



20.007(01) DRIVE, LH

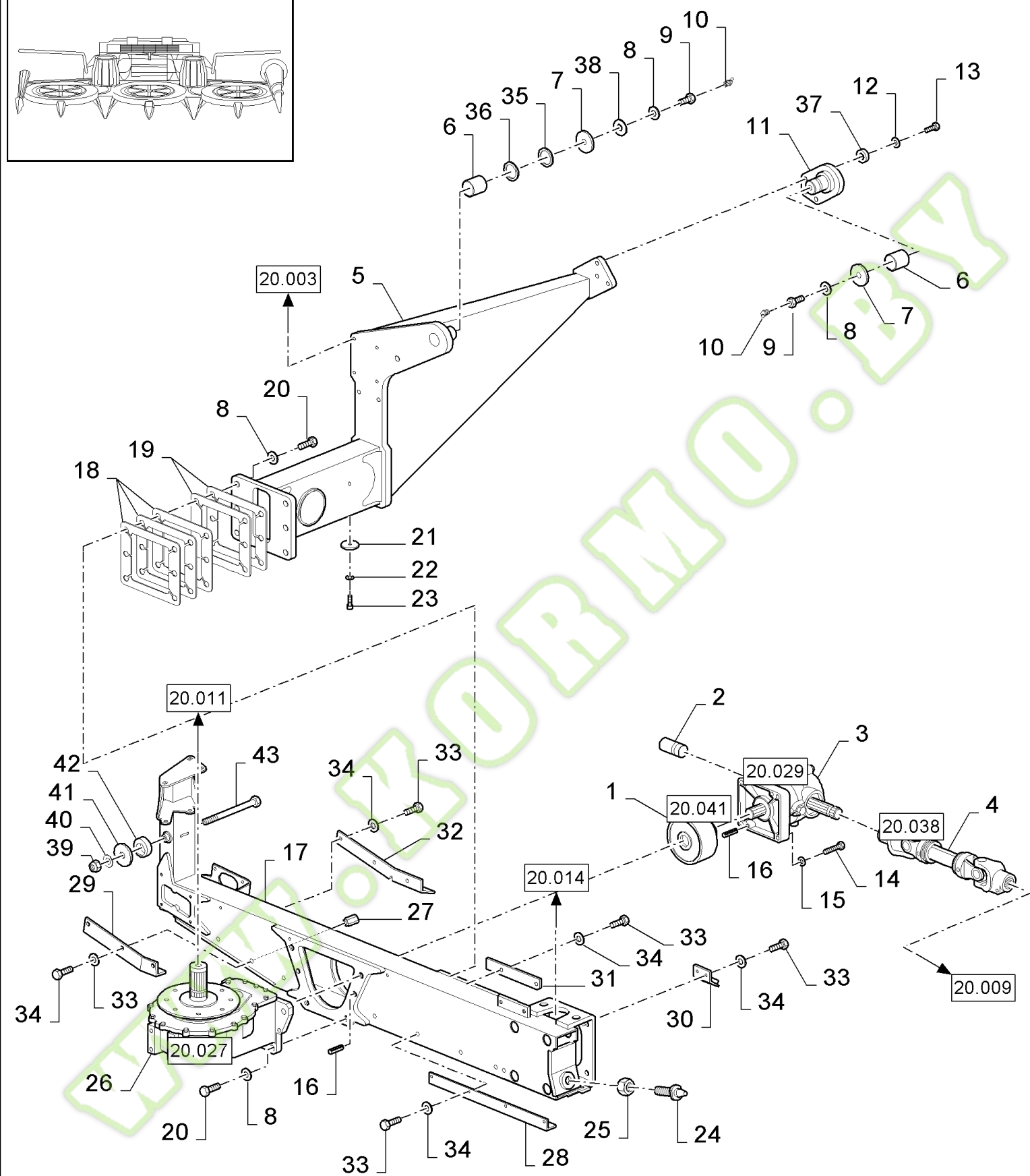
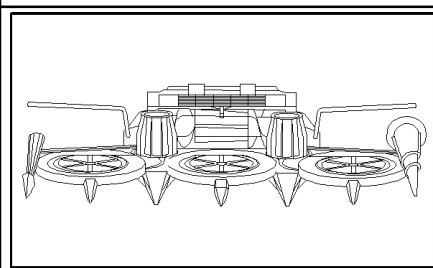
Ref	Part Number	Qty	Description
1	84400732	1	SUPPORT, LH
2	84400997	2	NIPPLE, LUBE,
3	84400677	2	SCREW, HOLLOW,
4	140048	12	WASHER, LOCK, {PP:80140048} Belleville, M16, 16MM
5	84400674	2	WASHER,
6	84038499	2	SLEEVE,
7	84400590	1	PLATE,
8	140046	3	WASHER, LOCK, {PP:80140046} Belleville, M12, 12MM
9	120080	3	SCREW, {PP:80120080} Hex, M12 x 45, 8.8, M12x45
10	84400752	1	GEARBOX,
11	84400571	1	SHAFT, PTO,
12	120010	1	SCREW, {PP:80120010} M5x16
13	140014	1	WASHER, {PP:80140014} M5, 5.3MM
14	80749187	1	REFLECTOR,
15	385922	10	SCREW, {PP:80385922} Hex, M16 x 45, 8.8, Hex, M16 x 45, 8.8
16	84400525	2	SHIM,
17	84400526	3	SHIM,
18	84400734	1	SUPPORT, LH, UNTIL S/N 513168194
18	84790328	1	FRAME, LH, FROM S/N 513168195 UNTIL S/N 513168349
18	82847882	1	FRAME, LH, FROM S/N 513168350 ONWARDS
19	89833396	1	NUT, M22x1.5
20	84400755	1	SCREW,
21	84400660	1	GEARBOX,
22	84400998	2	PIN,
23	82847947	1	CLUTCH,
24	140046	4	WASHER, LOCK, {PP:80140046} Belleville, M12, 12MM
25	309086	4	SCREW, {PP:80309086} Hex, M12 x 60, 8.8, Full Thd, M12x60
26	84400749	1	PROTECTING COVER,
27	84400641	14	NUT,
28	82847937	1	ANGLE,
29	84400740	1	ANGLE, , UNTIL S/N 513168349
29	82847846	1	ANGLE, , FROM S/N 513168350 ONWARDS
30	84400599	1	ANGLE BAR,
31	84400603	1	ANGLE BAR,
32	84400601	1	ANGLE BAR,
33	43127	14	BOLT, {PP:80043127} Hex, M8 x 25, 8.8, M8x25
34	322358	14	WASHER, LOCK, {PP:80322358} Belleville, M8, 8MM
35	84038537	1	PLATE, ADJUSTING, THK.:1MM
36	84038538	1	PLATE, ADJUSTING, THK.:2MM
37	84400673	3	WASHER,
38	84814178	AR	WASHER,
39	100037	1	NUT, {PP:80100037} M10 x 1.5, CI 8, M10, FROM S/N 513168195 ONWARDS
40	140045	1	WASHER, LOCK, {PP:80140045} Belleville, M10, 10MM, FROM S/N 513168195 ONWARDS
41	84814141	1	WASHER, , FROM S/N 513168195 ONWARDS
42	84814142	1	RING, , FROM S/N 513168195 ONWARDS

20.007(01) DRIVE, LH

Ref	Part Number	Qty	Description
43	120077	1	SCREW, {PP:80120077} Hex, M10 x 120, 8.8, M10x120, FROM S/N 513168195 ONWARDS

WWW.KORMO.BY

20.008(01) DRIVE, RH



20.008(01) DRIVE, RH

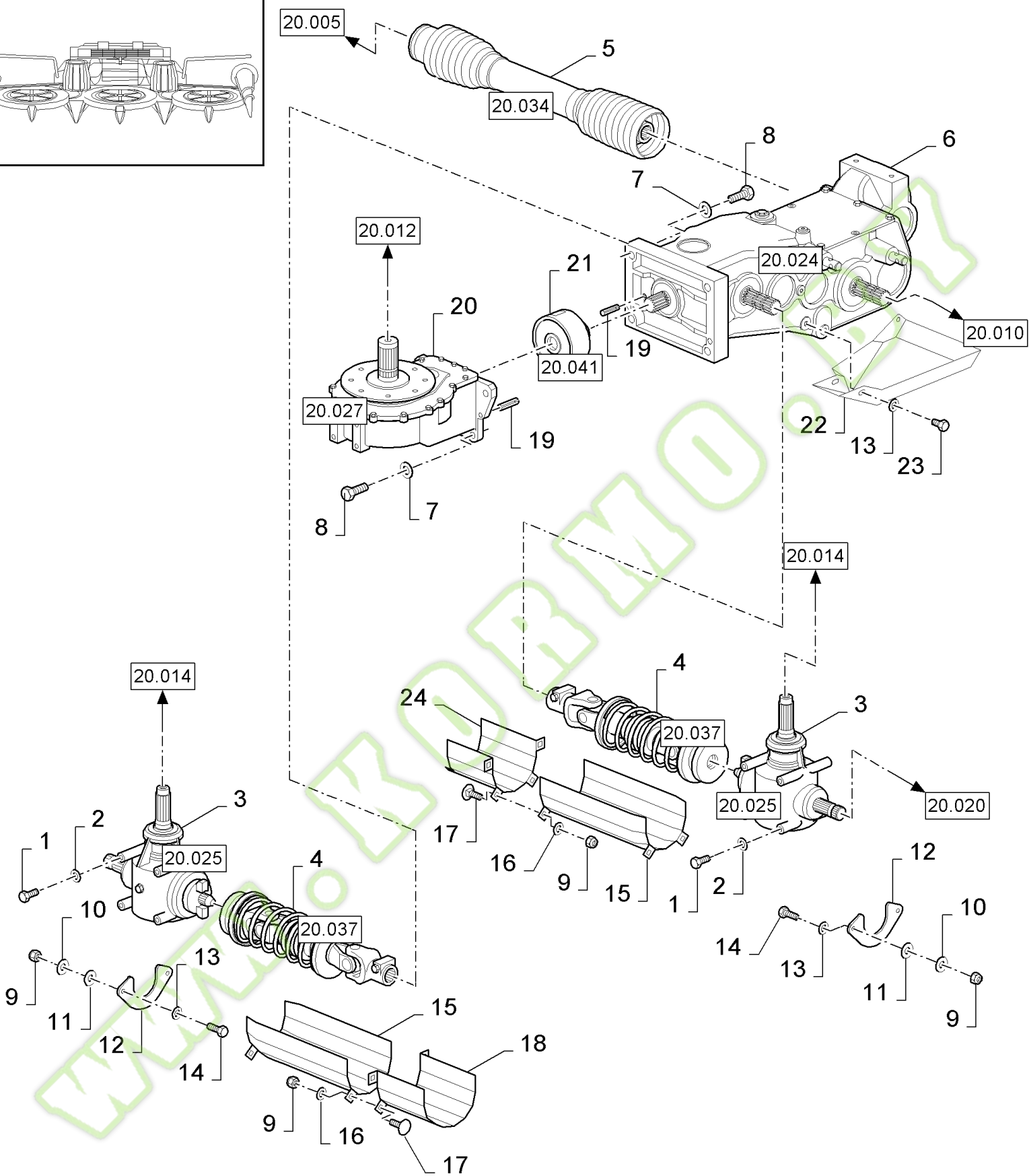
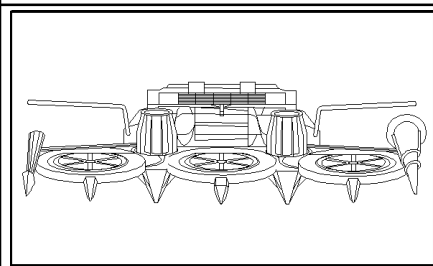
Ref	Part Number	Qty	Description
1	82847947	1	CLUTCH,
2	84400749	1	PROTECTING COVER,
3	84400752	1	GEARBOX,
4	84400571	1	SHAFT, PTO,
5	84400733	1	SUPPORT, RH
6	84038499	2	SLEEVE,
7	84400674	2	WASHER,
8	140048	12	WASHER, LOCK, {PP:80140048} Belleville, M16, 16MM
9	84400677	2	SCREW, HOLLOW,
10	84400997	2	NIPPLE, LUBE,
11	84400590	1	PLATE,
12	140046	3	WASHER, LOCK, {PP:80140046} Belleville, M12, 12MM
13	120080	3	SCREW, {PP:80120080} Hex, M12 x 45, 8.8, M12x45
14	309086	4	SCREW, {PP:80309086} Hex, M12 x 60, 8.8, Full Thd, M12x60
15	140046	4	WASHER, LOCK, {PP:80140046} Belleville, M12, 12MM
16	84400998	2	PIN, 12x45
17	84400735	1	SUPPORT, RH, UNTIL S/N 513168194
17	84790329	1	FRAME, RH, FROM S/N 513168195 UNTIL S/N 513168349
17	82847884	1	FRAME, RH, FROM S/N 513168350 ONWARDS
18	84400526	3	SHIM,
19	84400525	2	SHIM,
20	385922	10	SCREW, {PP:80385922} Hex, M16 x 45, 8.8, Hex, M16 x 45, 8.8
21	80749187	1	REFLECTOR,
22	140014	1	WASHER, {PP:80140014} M5, 5.3MM
23	120010	1	SCREW, {PP:80120010} M5x16
24	84400755	1	SCREW,
25	89833396	1	NUT, M22x1.5
26	84400661	1	GEARBOX,
27	84400641	14	NUT,
28	82847937	1	ANGLE,
29	84400741	1	ANGLE, , UNTIL S/N 513168349
29	82847847	1	ANGLE, , FROM S/N 513168350 ONWARDS
30	84400599	1	ANGLE BAR,
31	84400604	1	ANGLE BAR,
32	84400600	1	ANGLE BAR,
33	43127	14	BOLT, {PP:80043127} Hex, M8 x 25, 8.8, M8x25
34	322358	14	WASHER, LOCK, {PP:80322358} Belleville, M8, 8MM
35	84038537	AR	PLATE, ADJUSTING, THK.:1MM
36	84038538	AR	PLATE, ADJUSTING, THK.:2MM
37	84400673	3	WASHER,
38	84814178	AR	WASHER,
39	100037	1	NUT, {PP:80100037} M10 x 1.5, CI 8, M10, FROM S/N 513168195 ONWARDS
40	140045	1	WASHER, LOCK, {PP:80140045} Belleville, M10, 10MM, FROM S/N 513168195 ONWARDS
41	84814141	1	WASHER, , FROM S/N 513168195 ONWARDS
42	84814142	1	RING, , FROM S/N 513168195 ONWARDS

20.008(01) DRIVE, RH

Ref	Part Number	Qty	Description
43	120077	1	SCREW, {PP:80120077} Hex, M10 x 120, 8.8, M10x120, FROM S/N 513168195 ONWARDS

WWW.KORMO.BY

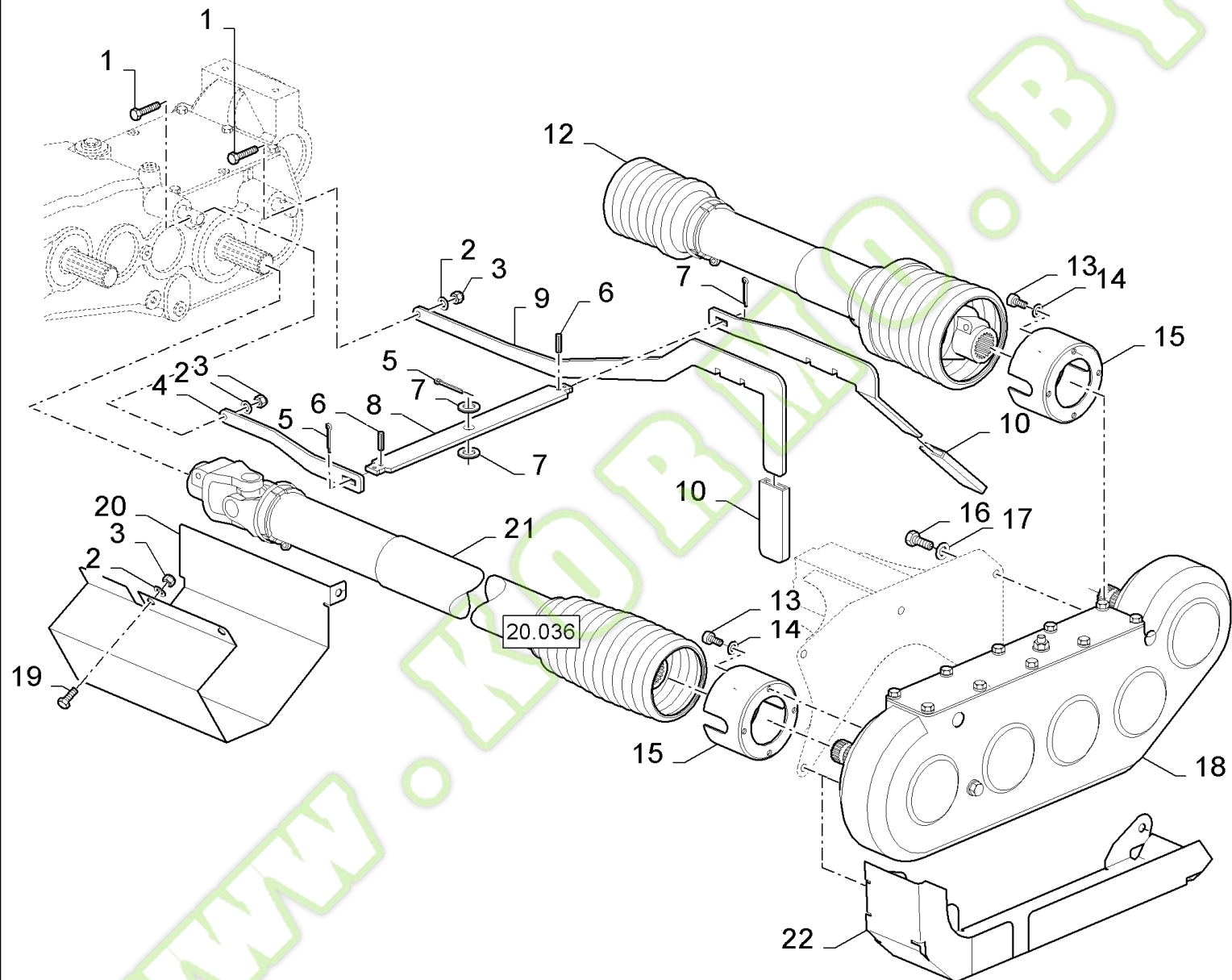
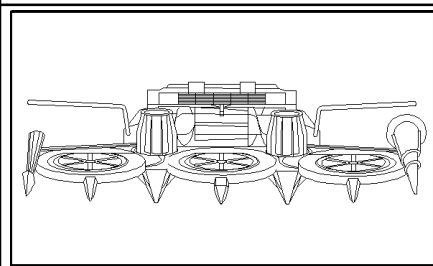
20.009(01) DRIVE, CENTRE



20.009(01) DRIVE, CENTRE

Ref	Part Number	Qty	Description
1	385376	8	SCREW, {PP:80385376} M12x30
2	140046	8	WASHER, LOCK, {PP:80140046} Belleville, M12, 12MM
3	84400563	2	GEARBOX,
4	84400570	2	SHAFT, PTO,
5	84819842	1	PROPELLER SHAFT,
6	84819843	1	GEARBOX,
7	140048	4	WASHER, LOCK, {PP:80140048} Belleville, M16, 16MM
8	11119321	4	SCREW, Hex, M16 x 70, 8.8, Hex, M16 x 70, 8.8
9	100037	16	NUT, {PP:80100037} M10 x 1.5, CI 8, M10
10	84400666	AR	WASHER,
11	84400667	AR	WASHER,
12	82847930	2	PLATE,
13	140045	6	WASHER, LOCK, {PP:80140045} Belleville, M10, 10MM
14	120201	4	SCREW, {PP:80120201} Hex, M10 x 35, 8.8, Full Thd, M10x35
15	84819844	2	GUARD,
16	140045	12	WASHER, LOCK, {PP:80140045} Belleville, M10, 10MM
17	80120042	12	BOLT, M10x30
18	84819845	1	GUARD, RH
19	84806046	2	PIN,
20	84400661	1	GEARBOX, 12x60
21	82847947	1	CLUTCH,
22	84814075	1	PLATE, , UNTIL S/N 513168349
22	82847962	1	SHOE, OUTER, , FROM S/N 513168350 ONWARDS
23	80300383	4	SCREW, M10x16
24	84400682	1	COVER, LH

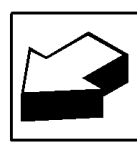
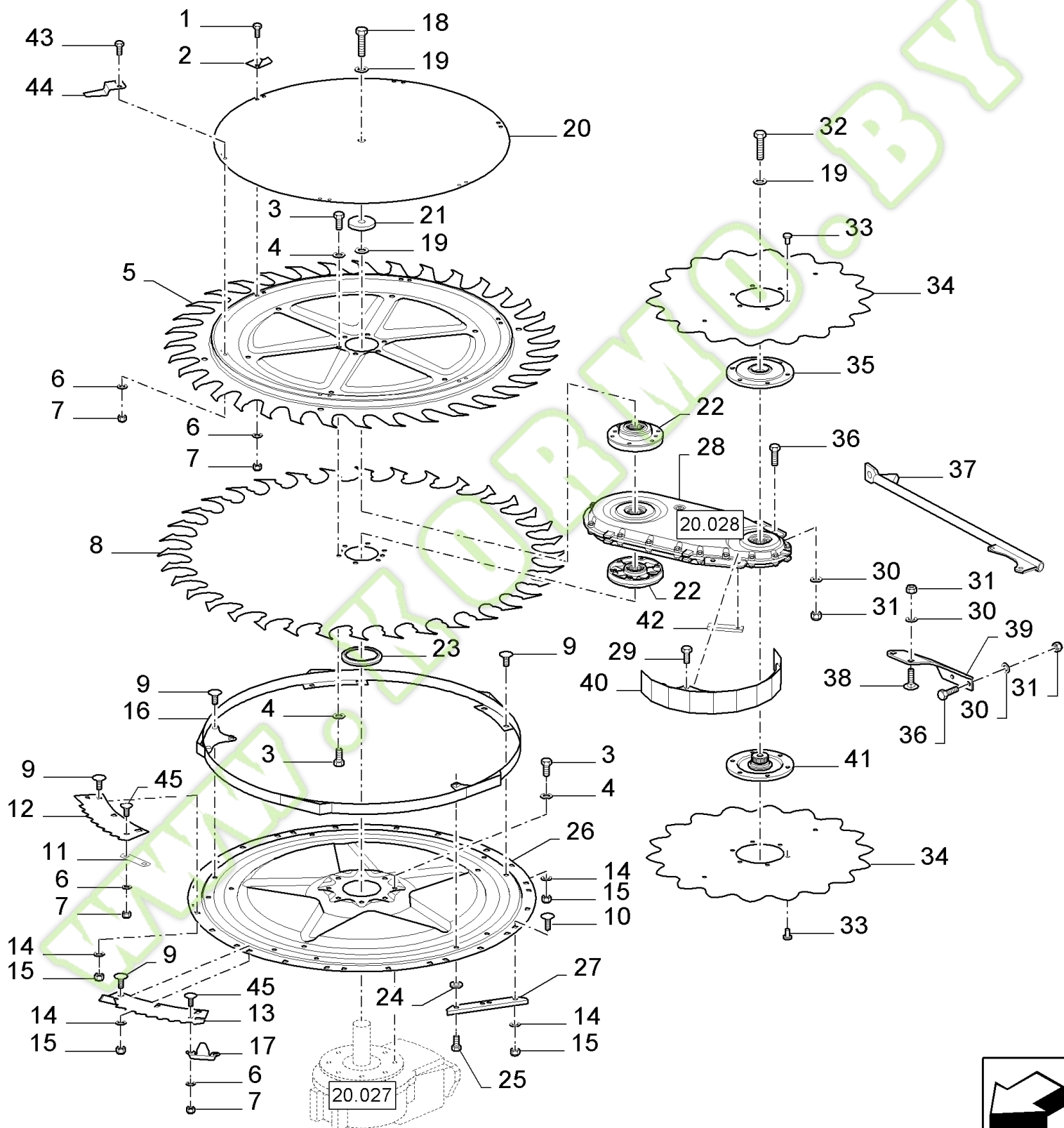
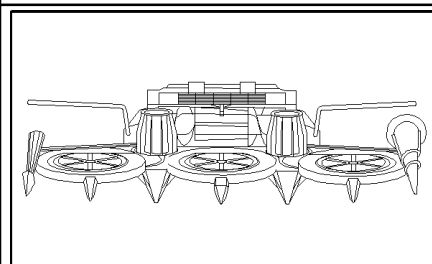
20.010(01) DRIVE, CENTRE



20.010(01) DRIVE, CENTRE

Ref	Part Number	Qty	Description
1	89509032	2	BOLT, M8x40
2	322358	4	WASHER, LOCK, {PP:80322358} Belleville, M8, 8MM
3	100067	3	NUT, {PP:80100067} M8 x 1.25", CI 8, M8
4	84819848	1	LEVER,
5	80749441	3	PIN, SPLIT (COTTER),
6	84819849	2	PIN, SPLIT (COTTER),
7	80749451	2	WASHER,
8	82847967	1	BAR,
9	84790135	1	LEVER,
10	84819852	2	HANDLE,
11	84819853	1	LEVER,
12	84819854	1	PROPELLER SHAFT,
13	84058583	8	SCREW, M8x16
14	84400723	8	RING,
15	84400714	2	PROTECTING COVER,
16	300389	4	SCREW, {PP:80300389} Hex, M12 x 35, 8.8, Full Thd, M12x35
17	140046	4	WASHER, LOCK, {PP:80140046} Belleville, M12, 12MM
18	84819856	1	GEARBOX,
19	120161	3	SCREW, {PP:80120161} Hex, M8 x 25, 8.8, M8x25
20	84819857	1	GUARD,
21	84800232	1	PROPELLER SHAFT,
22	84819859	1	GUARD,

20.011(01) INFEED DISC, CUTTING DISC - RH

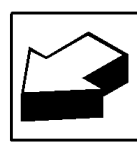
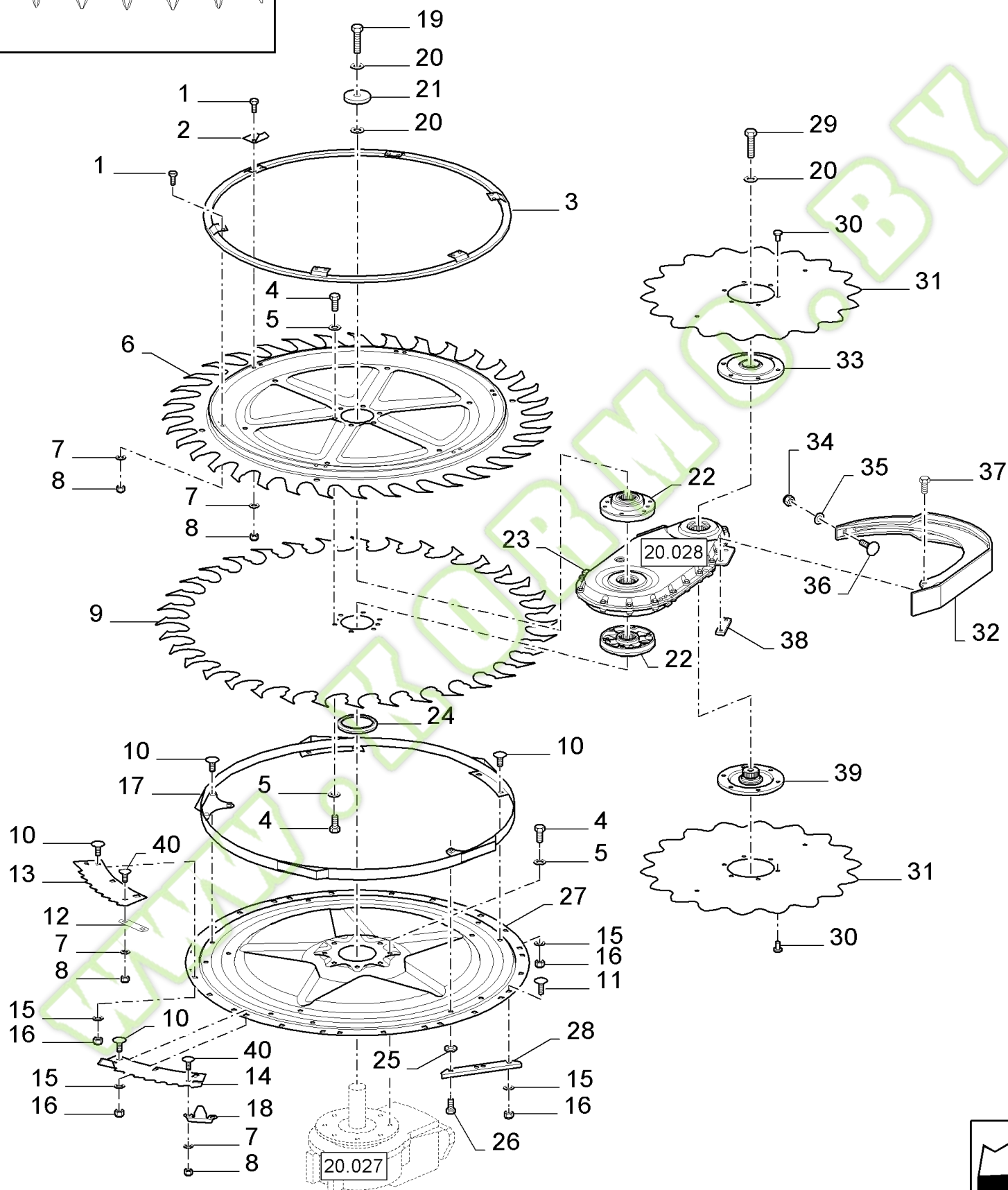
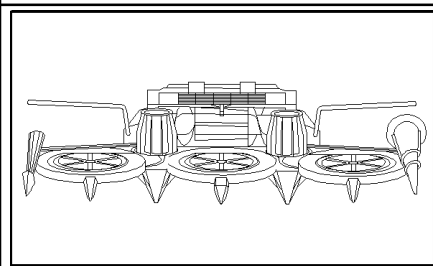


Ref	Part Number	Qty	Description
1	80120104	12	SCREW, M8x20
2	84400646	3	BLADE, SCRAPER,
3	300388	20	SCREW, {PP:80300388} Hex, M12 x 25, 8.8, M12x25
4	140046	20	WASHER, LOCK, {PP:80140046} Belleville, M12, 12MM
5	84400555	1	DISC,
6	322358	20	WASHER, LOCK, {PP:80322358} Belleville, M8, 8MM
7	100067	20	NUT, {PP:80100067} M8 x 1.25", CI 8, M8
8	84400553	1	DISC,
9	120041	34	BOLT, {PP:80120041} Short NK, M10 x 20, CI8.8, Full Thd, M10x20
10	338949	2	SCREW, {PP:80338949} Short NK, M10 x 25, CI8.8, Full Thd, M10x25
11	84400742	5	SUPPORT,
12	84400638	5	KNIFE, RH
13	84790139	5	KNIFE, RH, FROM S/N 513168195 ONWARDS
13	84400637	5	KNIFE, RH, UNTIL S/N 513168194
14	140045	42	WASHER, LOCK, {PP:80140045} Belleville, M10, 10MM
15	100037	40	NUT, {PP:80100037} M10 x 1.5, CI 8, M10
16	84814179	1	DISC,
17	82847934	5	PLATE, ANTI-WRAP,
18	120092	1	SCREW, {PP:80120092} Hex, M16 x 70, 8.8, Hex, M16 x 70, 8.8
19	140048	3	WASHER, LOCK, {PP:80140048} Belleville, M16, 16MM
20	84400485	1	COVER,
21	84400672	1	WASHER,
22	84400562	2	FLANGE,
23	84400568	1	RING,
24	84400670	2	WASHER,
25	120110	2	SCREW, {PP:80120110} Hex, M10 x 25, 8.8, Full Thd, M10x25
26	84400639	1	DISC,
27	84400507	2	BLADE, SCRAPER,
28	84400508	1	GEARBOX,
29	300388	2	SCREW, {PP:80300388} Hex, M12 x 25, 8.8, M12x25
30	140046	8	WASHER, LOCK, {PP:80140046} Belleville, M12, 12MM
31	100038	8	NUT, LOCK, {PP:80100038} M12 x 1.75, CI 8, M12
32	15981231	1	SCREW, Hex, M16 x 1.5 x 65, 10.9, M16x1.5x65
33	NSS	12	NOT SERVICED SEPARATELY, Rivet
34	84819861	2	DISC,
35	84400561	1	FLANGE,
36	300389	4	SCREW, {PP:80300389} Hex, M12 x 35, 8.8, Full Thd, M12x35
37	84819862	1	SUPPORT, , UNTIL S/N 513168194
37	84790140	1	SUPPORT, , FROM S/N 513168195 UNTIL S/N 513168349
37	82847831	1	SUPPORT, , FROM S/N 513168350 ONWARDS
38	89509046	2	BOLT, M12x35
39	84400605	1	ANGLE BAR, , UNTIL S/N 513168194
40	82847948	1	PLATE, ANTI-WRAP,
41	84400560	1	FLANGE,
42	84400631	1	PLATE,

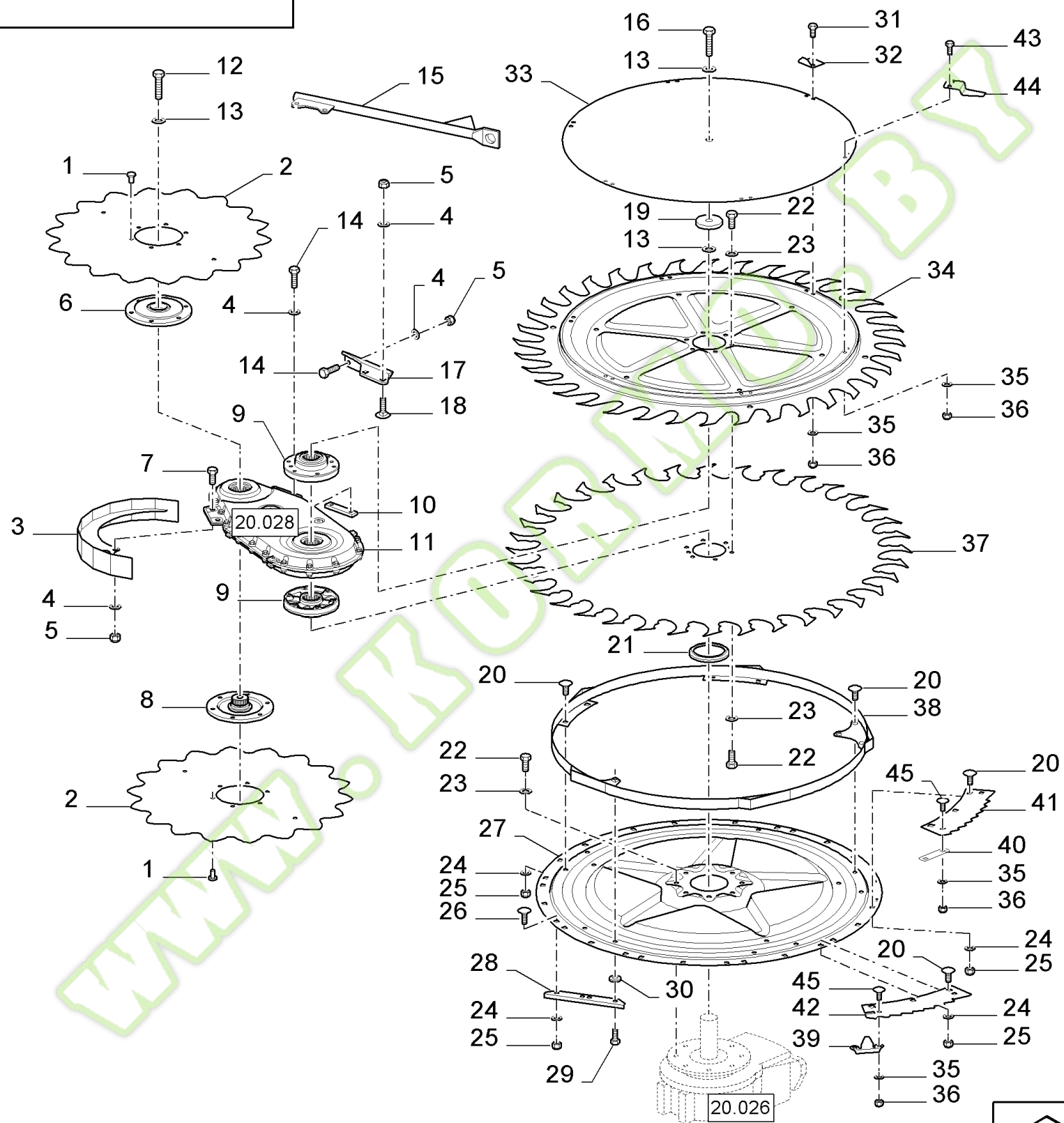
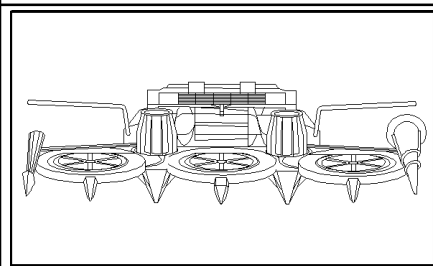
Ref	Part Number	Qty	Description
43	43127	1	BOLT, {PP:80043127} Hex, M8 x 25, 8.8, M8x25
44	84400647	2	FINGER,
45	412430	20	BOLT, {PP:80412430} Short NK, M6 x 16, Cl8.8, Full Thd, M8x16

WWW.KORMO.BY

20.012(01) INFEED DISC, CUTTING DISC - CENTRE



Ref	Part Number	Qty	Description
1	80120104	12	SCREW, M8x20
2	84400646	6	BLADE, SCRAPER,
3	84607003	1	RING, , UNTIL S/N 513168349
3	82847857	1	CIRCLE-CUTTER BLOCK, , FROM S/N 513168350 ONWARDS
4	300388	20	SCREW, {PP:80300388} Hex, M12 x 25, 8.8, M12x25
5	140046	20	WASHER, LOCK, {PP:80140046} Belleville, M12, 12MM
6	84400555	1	DISC,
7	322358	2	WASHER, LOCK, {PP:80322358} Belleville, M8, 8MM
8	100067	20	NUT, {PP:80100067} M8 x 1.25", CI 8, M8
9	84400553	1	DISC,
10	120041	34	BOLT, {PP:80120041} Short NK, M10 x 20, CI8.8, Full Thd, M10x20
11	338949	2	SCREW, {PP:80338949} Short NK, M10 x 25, CI8.8, Full Thd, M10x25
12	84400742	5	SUPPORT,
13	84400638	5	KNIFE, RH
14	84790139	5	KNIFE, RH, FROM S/N 513168195 ONWARDS
14	84400637	5	KNIFE, RH, UNTIL S/N 513168194
15	140045	42	WASHER, LOCK, {PP:80140045} Belleville, M10, 10MM
16	100037	40	NUT, {PP:80100037} M10 x 1.5, CI 8, M10
17	84814179	1	DISC,
18	82847934	5	PLATE, ANTI-WRAP,
19	120092	1	SCREW, {PP:80120092} Hex, M16 x 70, 8.8, Hex, M16 x 70, 8.8
20	140048	3	WASHER, LOCK, {PP:80140048} Belleville, M16, 16MM
21	84400672	1	WASHER,
22	84400562	2	FLANGE,
23	84400508	1	GEARBOX,
24	84400568	1	RING,
25	84400670	2	WASHER,
26	120110	2	SCREW, {PP:80120110} Hex, M10 x 25, 8.8, Full Thd, M10x25
27	84400640	1	DISC,
28	84400507	2	BLADE, SCRAPER,
29	15981231	1	SCREW, Hex, M16 x 1.5 x 65, 10.9, M16x1.5x65
30	NSS	12	NOT SERVICED SEPARATELY, Rivet
31	84819861	2	DISC,
32	84400530	1	SUPPORT,
33	84400561	1	FLANGE,
34	100038	1	NUT, LOCK, {PP:80100038} M12 x 1.75, CI 8, M12
35	140046	1	WASHER, LOCK, {PP:80140046} Belleville, M12, 12MM
36	120044	1	BOLT, {PP:80120044} Short NK, M12 x 30, CI8.8, Full Thd, M12x30
37	385376	2	SCREW, {PP:80385376} M12x30
38	84400631	1	PLATE,
39	84400560	1	FLANGE,
40	412430	20	BOLT, {PP:80412430} Short NK, M6 x 16, CI8.8, Full Thd, M8x16

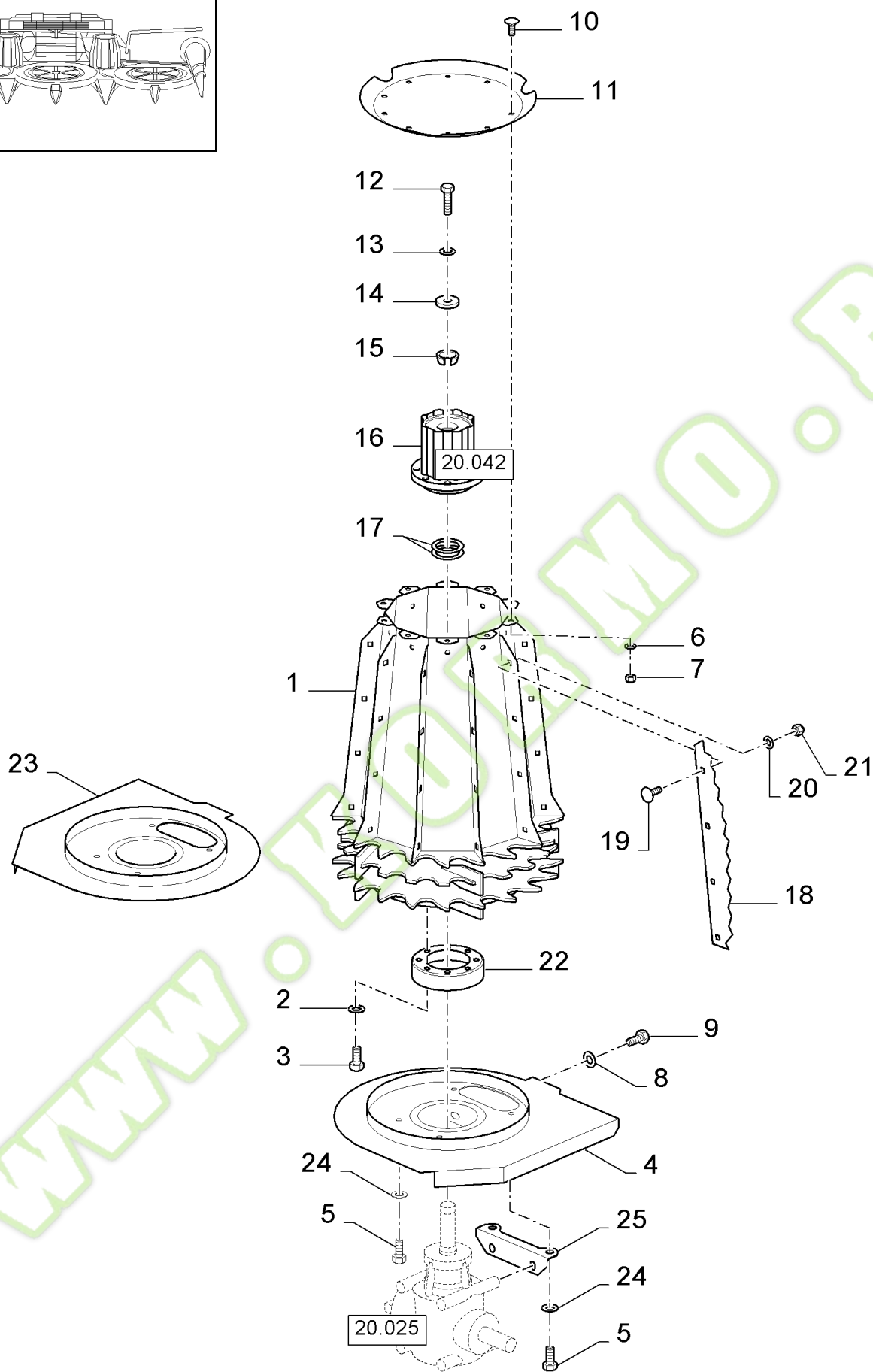
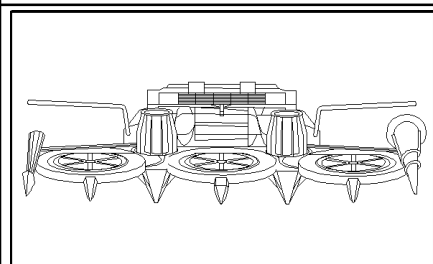


Ref	Part Number	Qty	Description
1	NSS	12	NOT SERVICED SEPARATELY, Rivet
2	84819861	2	DISC,
3	82847948	1	PLATE, ANTI-WRAP,
4	140046	7	WASHER, LOCK, {PP:80140046} Belleville, M12, 12MM
5	100038	7	NUT, LOCK, {PP:80100038} M12 x 1.75, CI 8, M12
6	84400561	1	FLANGE,
7	300388	2	SCREW, {PP:80300388} Hex, M12 x 25, 8.8, M12x30
8	84400560	1	FLANGE,
9	84400562	2	FLANGE,
10	84400631	1	PLATE,
11	84400508	1	GEARBOX,
12	15981231	1	SCREW, Hex, M16 x 1.5 x 65, 10.9, M16x1.5x65
13	140048	3	WASHER, LOCK, {PP:80140048} Belleville, M16, 16MM
14	300389	3	SCREW, {PP:80300389} Hex, M12 x 35, 8.8, Full Thd, M12x35
15	84819870	1	SUPPORT, , UNTIL S/N 513168194
15	84790140	1	SUPPORT, , FROM S/N 513168195 UNTIL S/N 513168349
15	82847831	1	SUPPORT, , FROM S/N 513168350 ONWARDS
16	120092	1	SCREW, {PP:80120092} Hex, M16 x 70, 8.8, Hex, M16 x 70, 8.8
17	84400602	1	ANGLE BAR, , UNTIL S/N 513168194
18	89509046	2	BOLT, M12x30
19	84400672	1	WASHER,
20	120041	34	BOLT, {PP:80120041} Short NK, M10 x 20, CI8.8, Full Thd, M10x20
21	84400568	1	RING,
22	300388	26	SCREW, {PP:80300388} Hex, M12 x 25, 8.8, M12x25
23	140046	26	WASHER, LOCK, {PP:80140046} Belleville, M12, 12MM
24	140045	42	WASHER, LOCK, {PP:80140045} Belleville, M10, 10MM
25	100037	40	NUT, {PP:80100037} M10 x 1.5, CI 8, M10
26	338949	2	SCREW, {PP:80338949} Short NK, M10 x 25, CI8.8, Full Thd, M10x25
27	84400639	1	DISC,
28	84400507	2	BLADE, SCRAPER,
29	120110	2	SCREW, {PP:80120110} Hex, M10 x 25, 8.8, Full Thd, M10x25
30	84400670	2	WASHER,
31	80120104	12	SCREW, M8x20
32	84400646	3	BLADE, SCRAPER,
33	84400485	1	COVER,
34	84400554	1	DISC,
35	322358	20	WASHER, LOCK, {PP:80322358} Belleville, M8, 8MM
36	100067	20	NUT, {PP:80100067} M8 x 1.25", CI 8, M8
37	84607004	1	DISC,
38	84814182	1	DISC,
39	82847934	5	PLATE, ANTI-WRAP,
40	84400742	5	SUPPORT,
41	84400636	5	KNIFE,
42	84790146	5	KNIFE, , FROM S/N 513168195 ONWARDS
42	84400635	5	KNIFE, , UNTIL S/N 513168194

Ref	Part Number	Qty	Description
43	43127	2	BOLT, {PP:80043127} Hex, M8 x 25, 8.8, M8x25
44	84400647	1	FINGER,
45	412430	20	BOLT, {PP:80412430} Short NK, M6 x 16, Cl8.8, Full Thd, M8x16

WWW.KORMO.BY

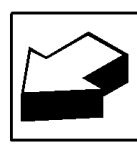
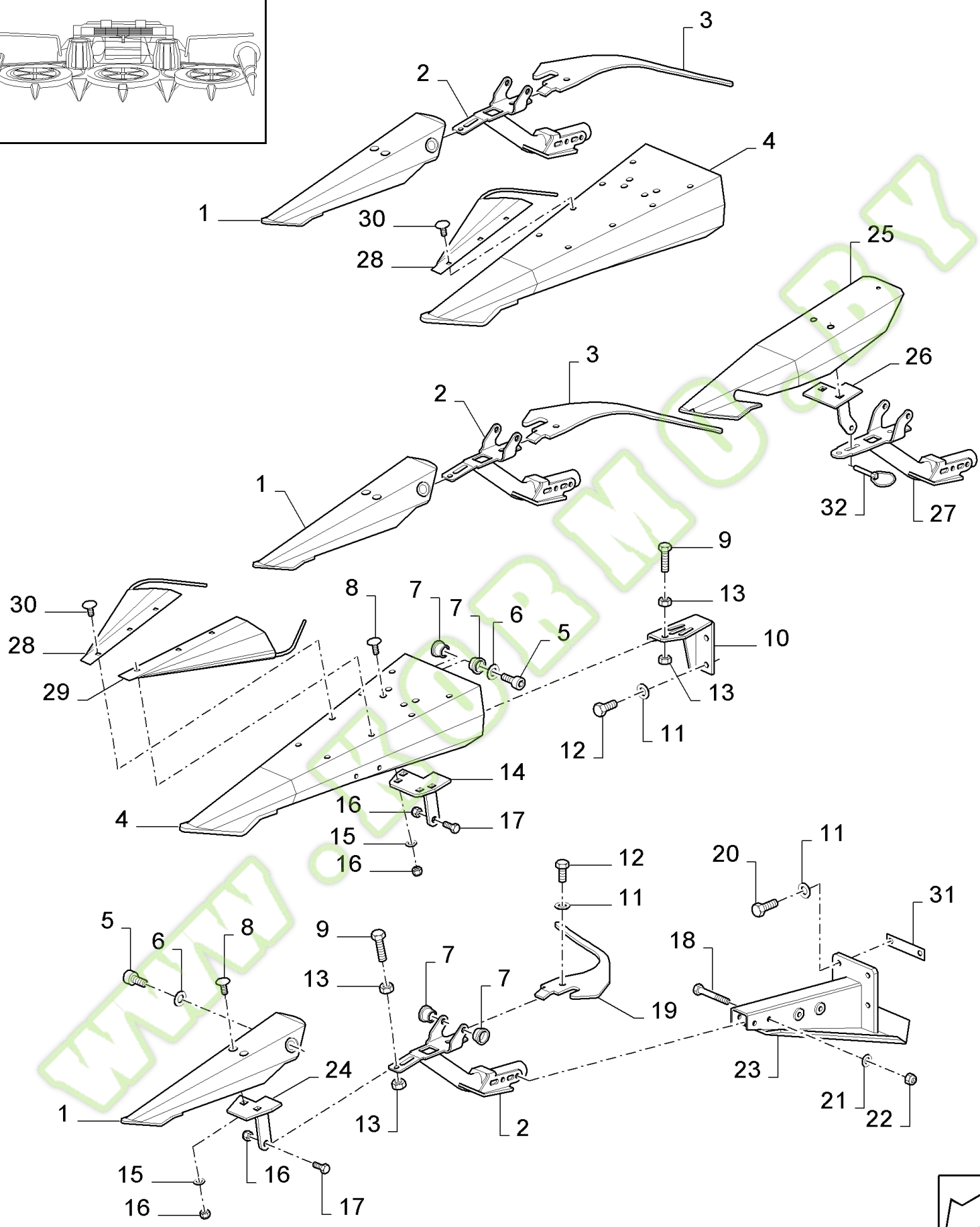
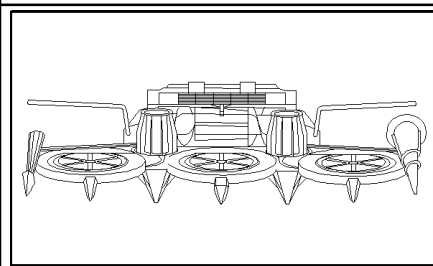
20.014(01) FEED ROLLER



20.014(01) FEED ROLLER

Ref	Part Number	Qty	Description
1	84400614	1	CONE, RH
1	84400613	1	CONE, LH
2	140045	20	WASHER, LOCK, {PP:80140045} Belleville, M10, 10MM
3	449532	16	SCREW, {PP:80449532} Hex Lock, M10 x 25, 8.8, M10x25
4	84814183	1	BOTTOM, LH
5	120110	8	SCREW, {PP:80120110} Hex, M10 x 25, 8.8, Full Thd, M10x25
6	322357	10	WASHER, LOCK, {PP:80322357} Belleville, M6, Belleville, M6
7	353308	10	NUT, {PP:80353308} M6 x 1, CI 8, M6
8	140046	4	WASHER, LOCK, {PP:80140046} Belleville, M12, 12MM
9	89509034	4	SCREW, M12x20
10	120031	10	SCREW, {PP:80120031} M6x16
11	84400615	2	COVER,
12	120080	2	SCREW, {PP:80120080} Hex, M12 x 45, 8.8, M12x45
13	140046	2	WASHER, LOCK, {PP:80140046} Belleville, M12, 12MM
14	80749434	2	WASHER,
15	84400616	2	RING,
16	84400724	2	CLUTCH,
17	84038538	AR	PLATE, ADJUSTING, THK.:2MM
17	84038537	AR	PLATE, ADJUSTING, THK.:1MM
18	84814184	20	PLATE,
19	120037	80	BOLT, {PP:80120037} Short NK, M8 x 20, CI8.8, Full Thd, M8x20
20	322358	80	WASHER, LOCK, {PP:80322358} Belleville, M8, 8MM
21	100067	80	NUT, {PP:80100067} M8 x 1.25", CI 8, M8
22	84400524	2	FLANGE,
23	84814185	1	BOTTOM, RH
24	140045	8	WASHER, LOCK, {PP:80140045} Belleville, M10, 10MM
25	84807622	2	SUPPORT,

20.015(01) DIVIDERS, CENTRE



UNTIL S/N 513168194

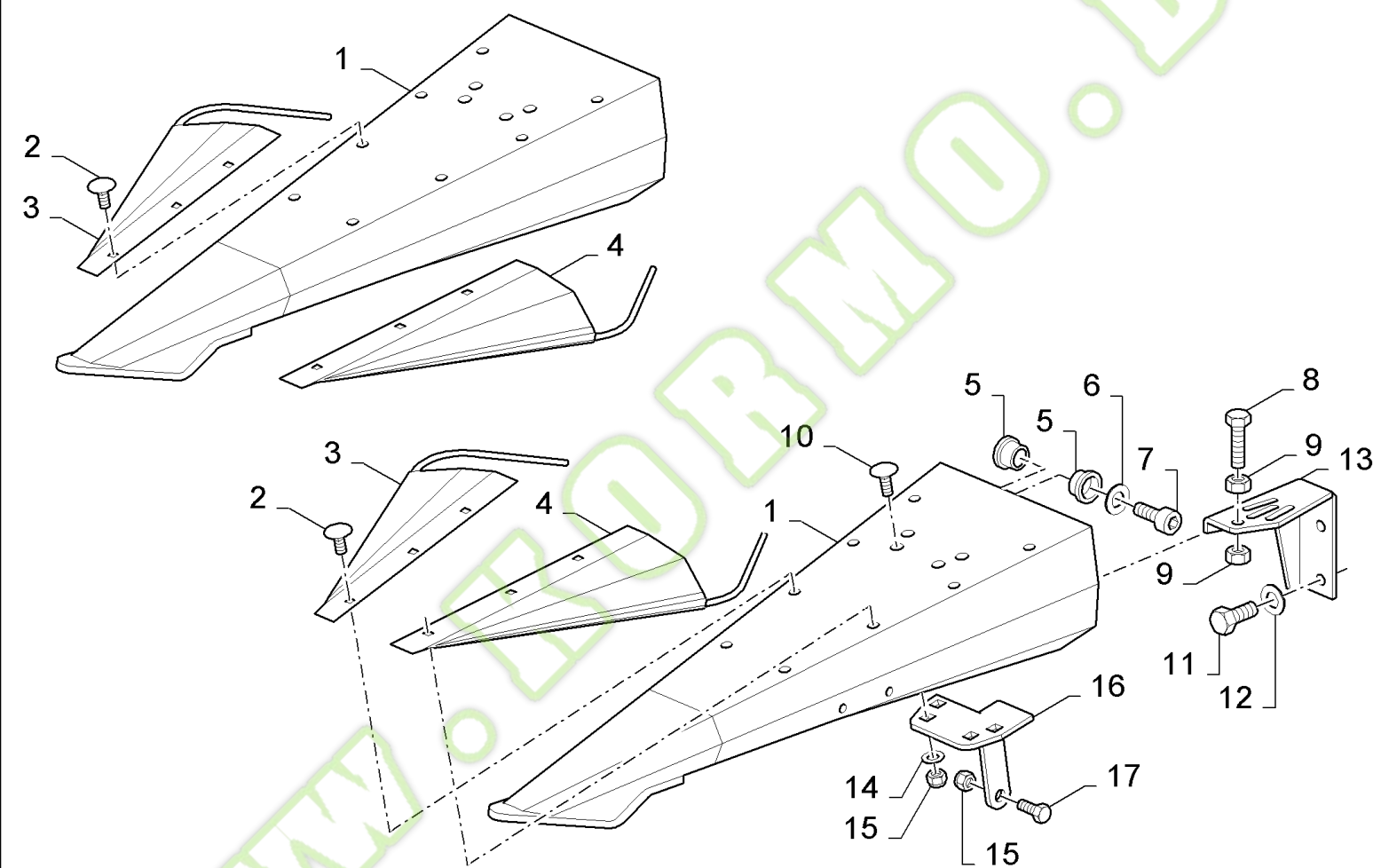
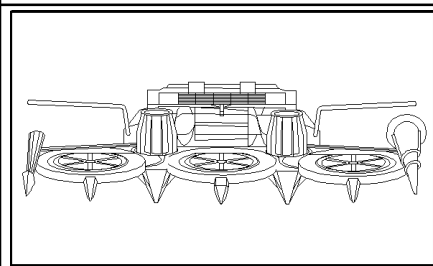


20.015(01) DIVIDERS, CENTRE

Ref	Part Number	Qty	Description
1	84400761	3	DIVIDER,
2	84400597	3	SUPPORT,
3	84400645	2	INDICATOR,
4	84400491	2	DIVIDER,
5	80749440	10	SCREW, M12x20
6	80412123	10	WASHER, LOCK, 12MM
7	84038475	10	SLEEVE,
8	120037	10	BOLT, {PP:80120037} Short NK, M8 x 20, CI8.8, Full Thd, M8x20
9	120122	5	SCREW, {PP:80120122} Hex, M12 x 50, 8.8, Full Thd, M12x50
10	84400494	2	SUPPORT,
11	140046	19	WASHER, LOCK, {PP:80140046} Belleville, M12, 12MM
12	89509034	7	SCREW, M12x20
13	337475	7	NUT, {PP:80337475} M12, CI 10, M12
14	84400496	2	ANGLE BAR,
15	322358	22	WASHER, LOCK, {PP:80322358} Belleville, M8, 8MM
16	100067	24	NUT, {PP:80100067} M8 x 1.25", CI 8, M8
17	336199	5	BOLT, {PP:80336199} Hex, M8 x 12, 8.8, Full Thd, M8x12
18	120073	4	SCREW, {PP:80120073} Hex, M10 x 80, 8.8, M10x80
19	84400644	1	INDICATOR,
20	385376	12	SCREW, {PP:80385376} M12x30
21	140045	4	WASHER, LOCK, {PP:80140045} Belleville, M10, 10MM
22	100037	4	NUT, {PP:80100037} M10 x 1.5, CI 8, M10
23	84400676	3	SUPPORT,
24	84400497	3	ANGLE BAR,
25	84819879	1	DIVIDER,
26	84400495	1	ANGLE BAR,
27	84400598	1	SUPPORT,
28	84400633	2	GUIDE, LH
29	84400634	2	GUIDE, RH
30	412430	12	BOLT, {PP:80412430} Short NK, M6 x 16, CI8.8, Full Thd, M8x16
31	84607005	3	SHIM,
32	84400622	1	PIN,

UNTIL S/N 513168194

20.015A(01) DIVIDERS, CENTRE



FROM S/N 513168195 ONWARDS

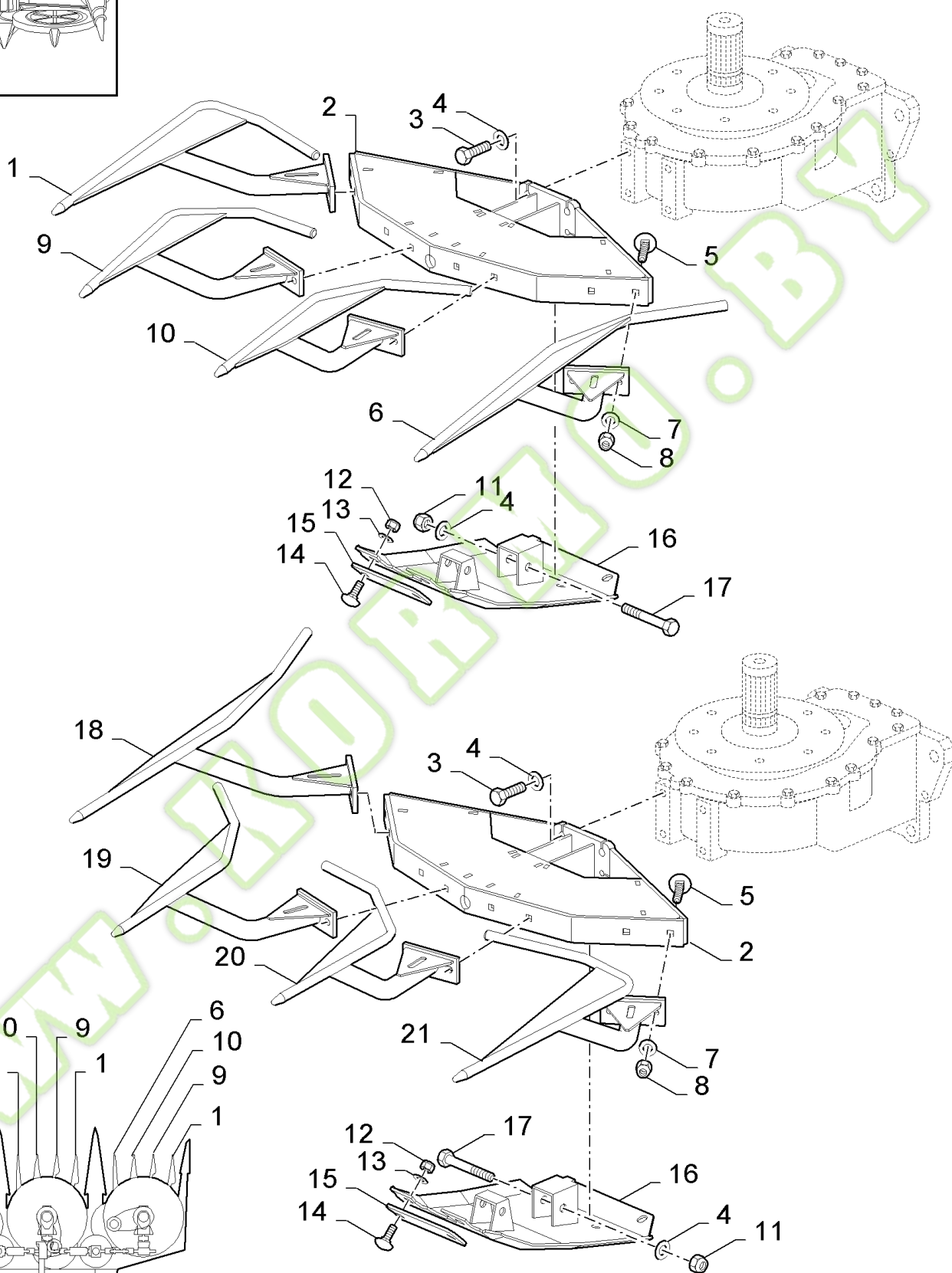
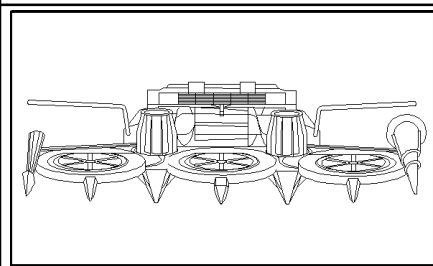


20.015A(01) DIVIDERS, CENTRE

Ref	Part Number	Qty	Description
1	84400491	2	DIVIDER,
2	412430	12	BOLT, {PP:80412430} Short NK, M6 x 16, CI8.8, Full Thd, M8x16x10
3	84400633	2	GUIDE, LH
4	84400634	2	GUIDE, RH
5	84038475	10	SLEEVE,
6	80412123	10	WASHER, LOCK, 12MM
7	80749440	10	SCREW, M12x20
8	120122	2	SCREW, {PP:80120122} Hex, M12 x 50, 8.8, Full Thd, M12x50
9	337475	4	NUT, {PP:80337475} M12, CI 10, M12
10	120037	8	BOLT, {PP:80120037} Short NK, M8 x 20, CI8.8, Full Thd, M8x20x13
11	89509034	4	SCREW, M12x20
12	140046	4	WASHER, LOCK, {PP:80140046} Belleville, M12, 12MM
13	84400494	2	SUPPORT,
14	322358	8	WASHER, LOCK, {PP:80322358} Belleville, M8, 8MM
15	100067	10	NUT, {PP:80100067} M8 x 1.25", CI 8, M8
16	84400496	2	ANGLE BAR,
17	336199	2	BOLT, {PP:80336199} Hex, M8 x 12, 8.8, Full Thd, M8x12

FROM S/N 513168195 ONWARDS

20.015B(01) DIVIDER TOP - SKID SHOES



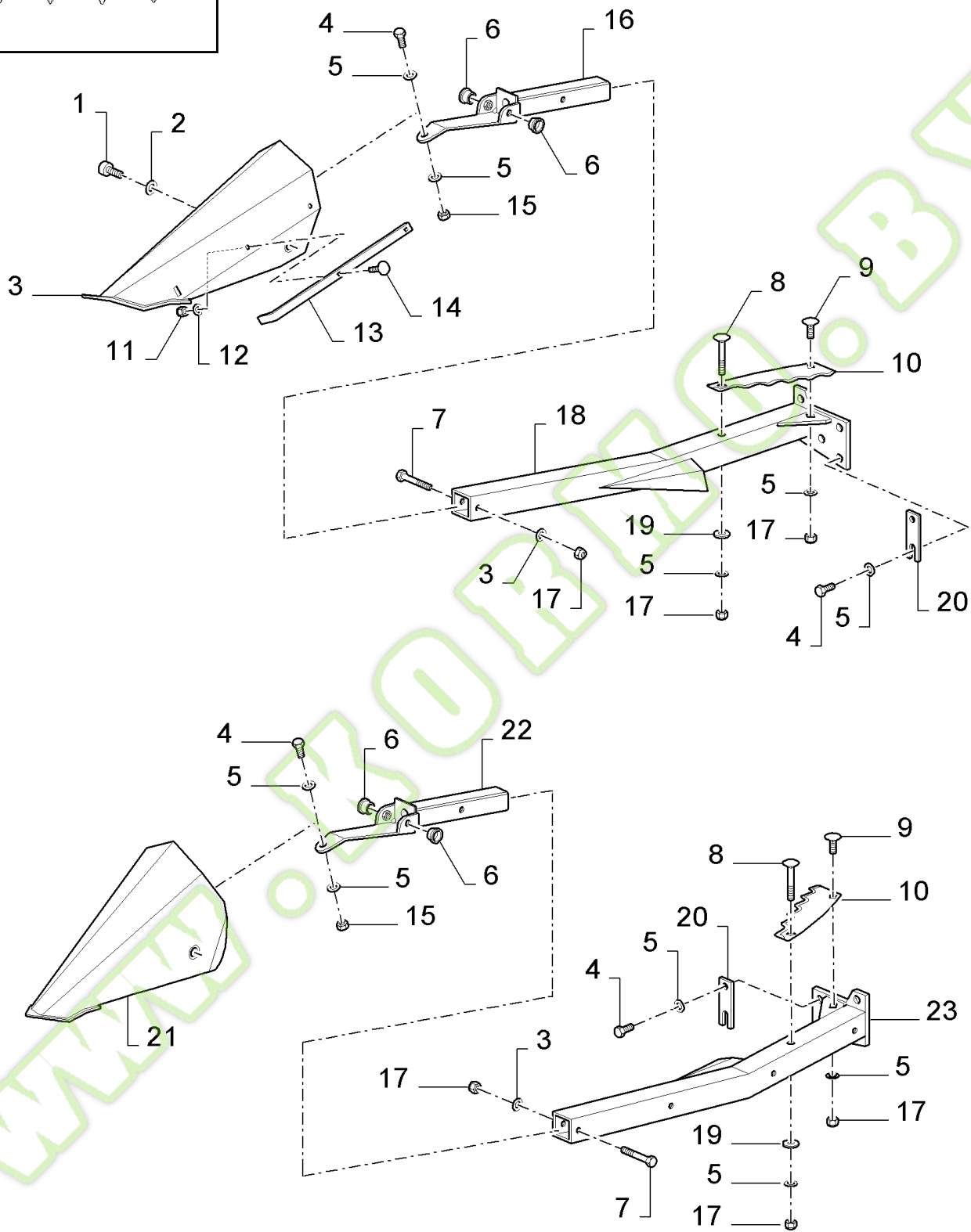
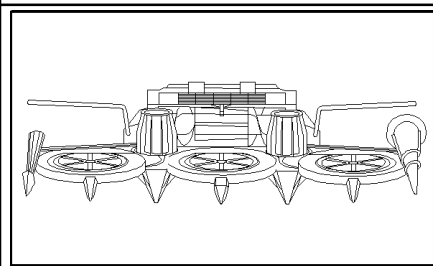
FROM S/N 513168195 ONWARDS

20.015B(01) DIVIDER TOP - SKID SHOES

Ref	Part Number	Qty	Description
1	82847975	2	DIVIDER POINT, RH
2	84790175	3	SUPPORT,
3	300389	12	SCREW, {PP:80300389} Hex, M12 x 35, 8.8, Full Thd, M12x35
4	140046	24	WASHER, LOCK, {PP:80140046} Belleville, M12, 12MM
5	80120042	24	BOLT, M10x30
6	82847978	2	DIVIDER POINT, RH
7	140045	24	WASHER, LOCK, {PP:80140045} Belleville, M10, 10MM
8	100037	24	NUT, {PP:80100037} M10 x 1.5, CI 8, M10
9	82847976	2	DIVIDER POINT, RH
10	82847977	2	DIVIDER POINT, RH
11	100038	6	NUT, LOCK, {PP:80100038} M12 x 1.75, CI 8, M12
12	100067	6	NUT, {PP:80100067} M8 x 1.25", CI 8, M8
13	322358	6	WASHER, LOCK, {PP:80322358} Belleville, M8, 8MM
14	120037	6	BOLT, {PP:80120037} Short NK, M8 x 20, CI8.8, Full Thd, M8x20x13
15	82847974	3	PLATE,
16	84790176	3	SHOE, OUTER,
16	82847896	1	SHOE, OUTER, , OPTION
17	84790165	6	BOLT, M12x80
18	82847979	1	DIVIDER POINT, LH
19	82847980	1	DIVIDER POINT, LH
20	82847981	1	DIVIDER POINT, LH
21	82847982	1	DIVIDER POINT, LH

FROM S/N 513168195 ONWARDS

20.016(01) DIVIDERS

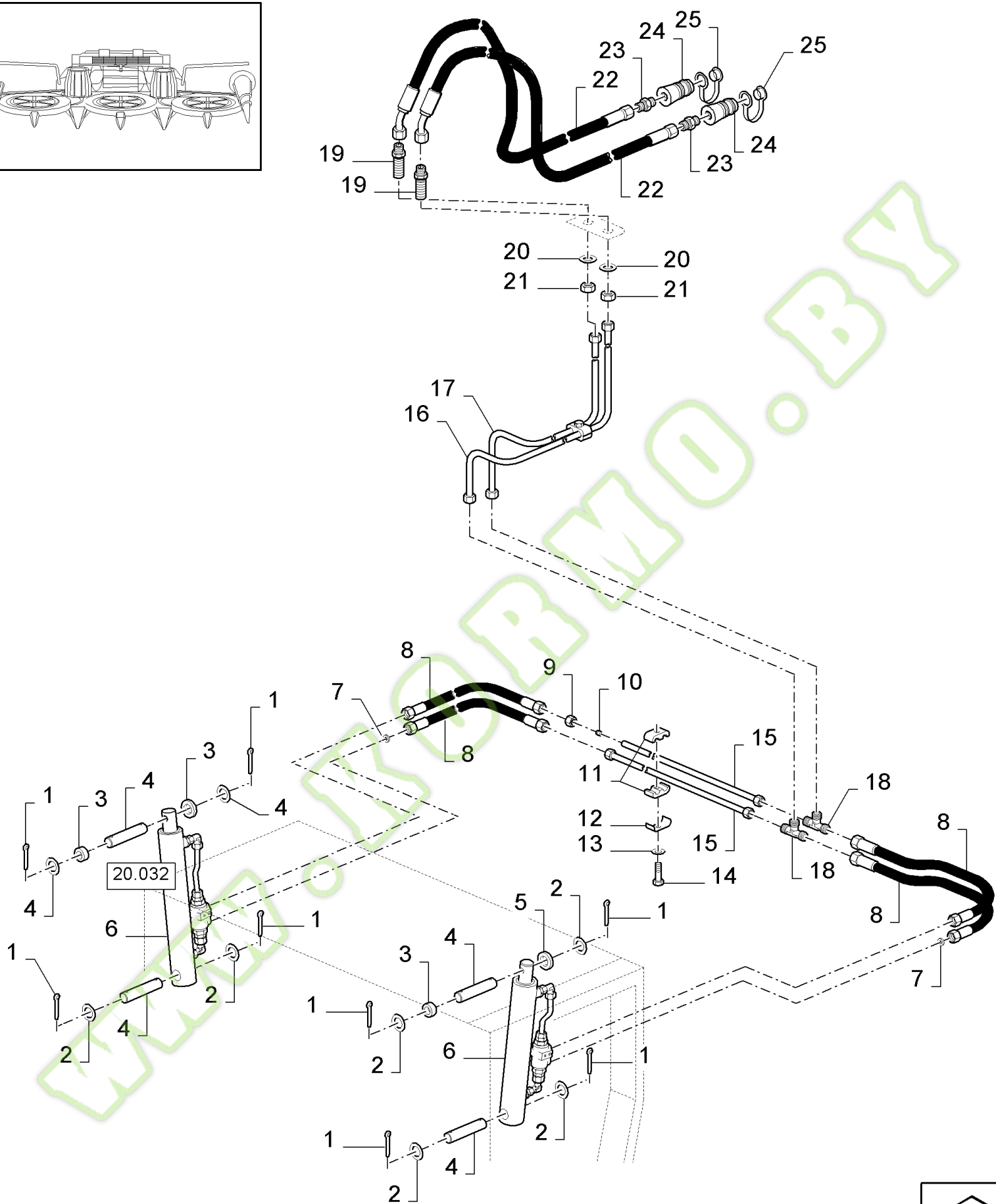
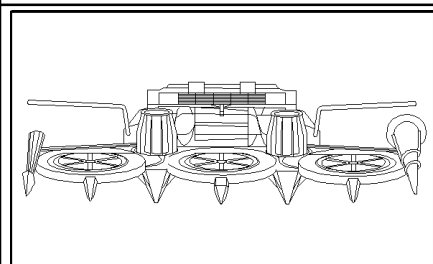


20.016(01) DIVIDERS

Ref	Part Number	Qty	Description
1	84022173	4	SCREW, Hex Soc Hd, M8 x 35, 8.8, M12x30
2	80412123	4	WASHER, LOCK, 12MM
3	82847954	1	DIVIDER, RH
4	120111	4	SCREW, {PP:80120111} Hex, M10 x 30, 8.8, M10x30
5	140045	14	WASHER, LOCK, {PP:80140045} Belleville, M10, 10MM
6	84038475	4	SLEEVE,
7	120071	2	SCREW, {PP:80120071} Hex, M10 x 65, 8.8, M10x65
8	80120043	2	BOLT, M10x70
9	338949	2	SCREW, {PP:80338949} Short NK, M10 x 25, CI8.8, Full Thd, M10x25
10	84400569	2	KNIFE,
11	353308	4	NUT, {PP:80353308} M6 x 1, CI 8, M6
12	322357	4	WASHER, LOCK, {PP:80322357} Belleville, M6, Belleville, M6
13	84400738	2	INDICATOR,
14	120031	4	SCREW, {PP:80120031} M6x16
15	100016	2	NUT, {PP:80100016} M10, CI 8, M10
16	84400594	1	BRACKET, SUPPORTING, RH
17	100037	4	NUT, {PP:80100037} M10 x 1.5, CI 8, M10
18	84819881	1	ARM, RH, FROM S/N 513168135 ONWARDS
18	84400652	1	SUPPORT, RH, UNTIL S/N 513168134
19	84400668	2	WASHER,
20	84607006	2	SHIM,
21	82847953	1	DIVIDER, LH
22	84400591	1	BRACKET, SUPPORTING, LH
23	84819883	1	ARM, LH, FROM S/N 513168135 ONWARDS
23	84400651	1	SUPPORT, LH, UNTIL S/N 513168134

UNTIL S/N 513168194

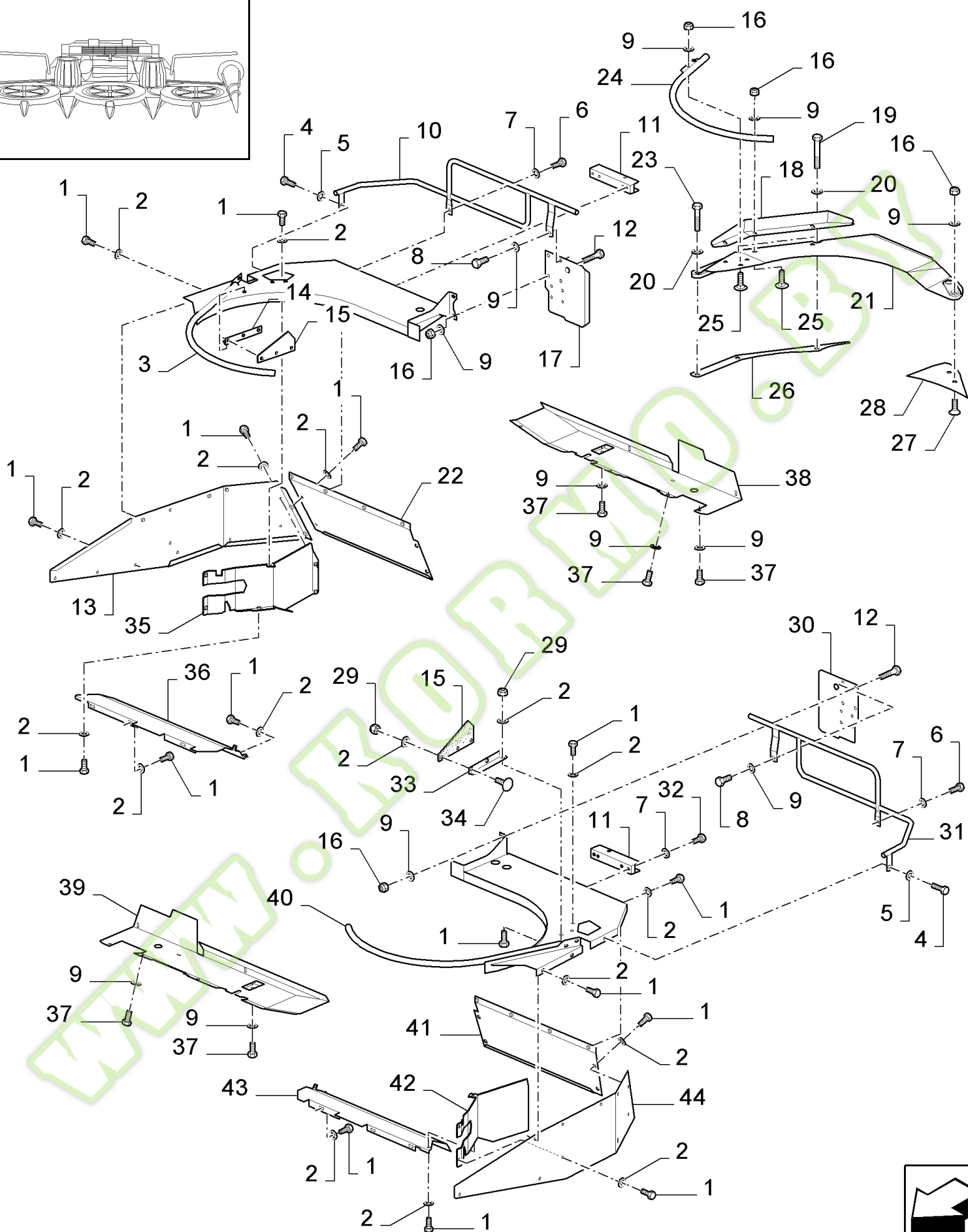
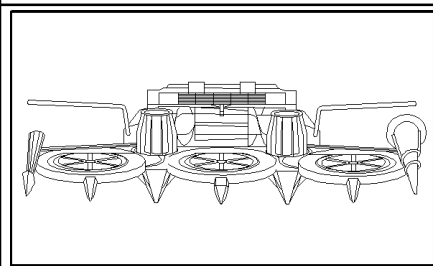
20.017(01) HYDRAULIC



20.017(01) HYDRAULIC

Ref	Part Number	Qty	Description
1	89509028	8	PIN, SPLIT (COTTER), 5x32
2	84400669	8	WASHER,
3	84400527	2	BUSHING,
4	84400515	4	PIN,
5	80384927	2	WASHER,
6	84400762	2	HYDRAULIC CYLINDER,
7	84100428	2	VALVE, RESTRICTOR,
8	84038436	4	HOSE, FLEXIBLE,
9	84100430	8	NUT, PIPE UNION,
10	84100431	8	FERRULE,
11	84038440	3	PAD, RUBBER,
12	84038441	3	PLATE,
13	322358	3	WASHER, LOCK, {PP:80322358} Belleville, M8, 8MM
14	120058	3	SCREW, {PP:80120058} Hex, M8 x 30, 8.8, M8x30
15	84819885	2	TUBE, HYD,
16	84790178	1	PIPE, , FROM S/N 513168195 ONWARDS
16	NSS	1	NOT SERVICED SEPARATELY, Pipe line, UNTIL S/N 513168194
17	84790179	1	PIPE, , FROM S/N 513168195 ONWARDS
17	NSS	1	NOT SERVICED SEPARATELY, Pipe line, UNTIL S/N 513168194
18	84400656	2	CONNECTOR, HYD.,
19	84790177	2	CLAMP, , FROM S/N 513168195 ONWARDS
19	84400754	2	CONNECTOR, HYD., , UNTIL S/N 513168194
20	84400519	2	WASHER, M14
21	84819886	2	NUT, M14x1.5
22	84819887	2	HOSE,
23	84038433	2	CONNECTOR, HYD.,
24	84100429	2	COUPLING, QUICK, MALE,
25	84819888	2	DUST CAP,

20.018(01) GUARDS



RI450 ROW INDEPENDENT CORNHEDER - FROM S/N 513168220 (1/03-)

20.018(01) GUARDS

Ref	Part Number	Qty	Description
2	322358	54	WASHER, LOCK, {PP:80322358} Belleville, M8, 8MM
3	84790333	1	GUARD, Bolted Assy., FROM S/N 513168195 ONWARDS
3	84400696	1	COVER, Welded Assy., UNTIL S/N 513168194
4	120109	12	SCREW, {PP:80120109} Hex, M10 x 20, 8.8, Full Thd, M10x20
5	140045	16	WASHER, LOCK, {PP:80140045} Belleville, M10, 10MM
6	43127	4	BOLT, {PP:80043127} Hex, M8 x 25, 8.8, M8x25
7	322358	8	WASHER, LOCK, {PP:80322358} Belleville, M8, 8MM
8	120068	2	SCREW, {PP:80120068} Hex, M10 x 40, 8.8, Full Thd, M10x45
9	140045	5	WASHER, LOCK, {PP:80140045} Belleville, M10, 10MM
10	84400698	1	CROSSRAIL,
11	84814144	2	SUPPORT,
12	120069	2	SCREW, {PP:80120069} Hex, M10 x 50, 8.8, M10x50
13	84790335	1	SEAT, , FROM S/N 513168195 ONWARDS
13	84400719	1	PLATE, , UNTIL S/N 513168194
14	84607010	1	ANGLE BAR,
15	84607008	2	CANVAS,
16	100037	7	NUT, {PP:80100037} M10 x 1.5, CI 8, M10
17	NS	1	NOT SERVICED,
18	84400564	1	GUIDE,
19	120183	2	SCREW, {PP:80120183} Hex, M12 x 90, 8.8, M12x90
20	140046	1	WASHER, LOCK, {PP:80140046} Belleville, M12, 12MM
21	84400606	1	PLATE,
22	84790334	1	SEAT, , FROM S/N 513168195 ONWARDS
22	84400718	1	PLATE, , UNTIL S/N 513168194
23	309086	1	SCREW, {PP:80309086} Hex, M12 x 60, 8.8, Full Thd, M12x60
24	84819893	1	GUIDE,
25	80120042	5	BOLT, M10x30
26	84400657	1	SHIM,
27	393698	2	SCREW, {PP:80393698} Hex Soc Flat Hd, M10 x 25, 8.8, M10x25
28	84400566	1	GUIDE,
29	100067	10	NUT, {PP:80100067} M8 x 1.25", CI 8, M8
30	NS	1	NOT SERVICED,
31	84400699	1	CROSSRAIL,
32	80120104	4	SCREW, M8x20
33	84607009	1	ANGLE BAR,
34	120037	6	BOLT, {PP:80120037} Short NK, M8 x 20, CI8.8, Full Thd, M8x20
35	84790202	1	SEAT, , FROM S/N 513168195 ONWARDS
35	84400680	1	PLATE, , UNTIL S/N 513168194
36	84790195	1	COVER, , FROM S/N 513168195 ONWARDS
36	84400692	1	COVER, , UNTIL S/N 513168194
37	80300383	6	SCREW, M10x16
38	84400697	1	COVER,
39	84400695	1	COVER,
40	84790330	1	GUARD, LH, FROM S/N 513168195 ONWARDS
40	84400694	1	COVER, , UNTIL S/N 513168194

UNTIL S/N 513168349

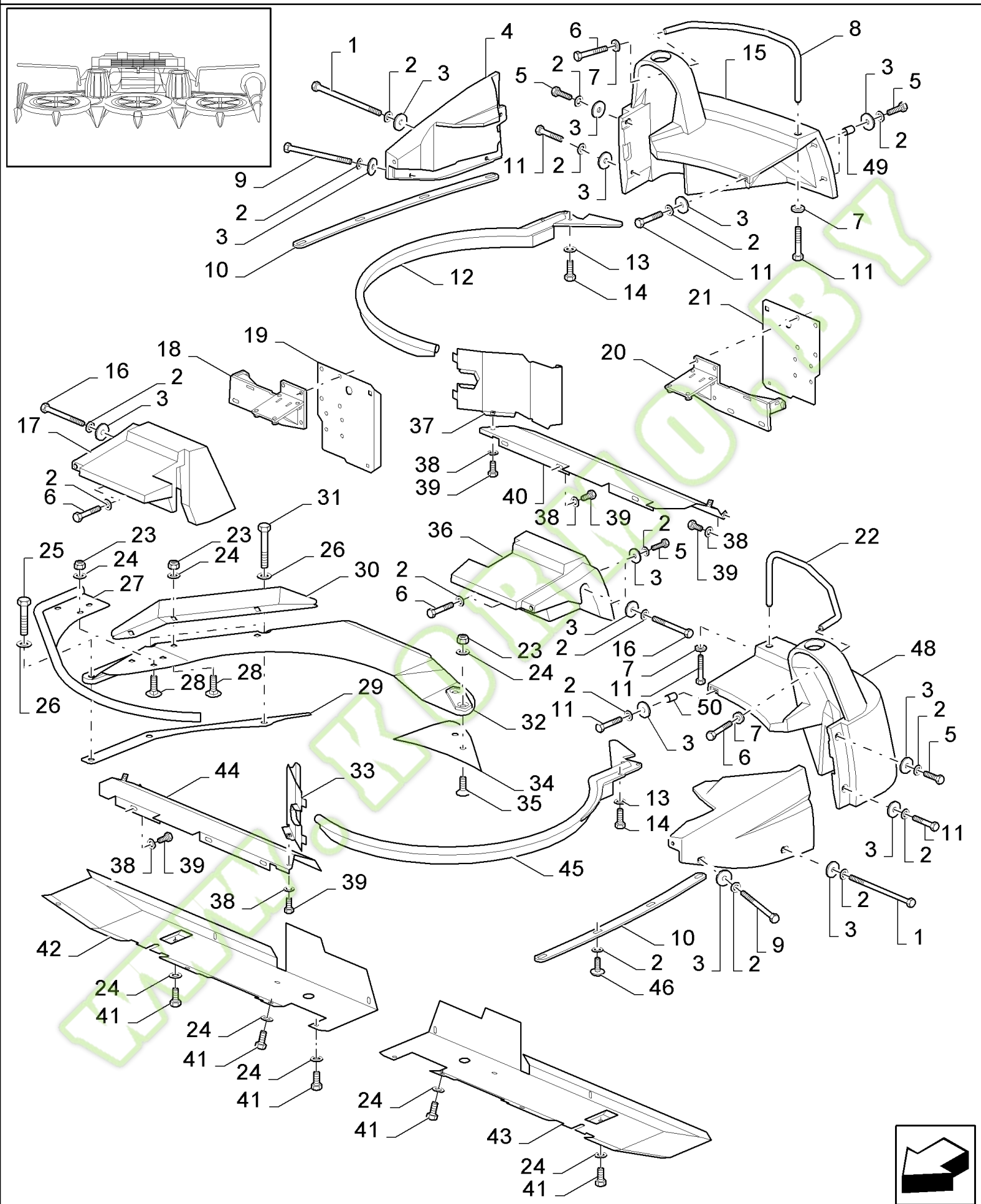


20.018(01) GUARDS

Ref	Part Number	Qty	Description
41	84790331	1	SEAT, LH, FROM S/N 513168195 ONWARDS
41	84400716	1	PLATE, , UNTIL S/N 513168194
42	84790201	1	SEAT, , FROM S/N 513168195 ONWARDS
42	84400679	1	PLATE, , UNTIL S/N 513168194
43	84790194	1	GUARD, , FROM S/N 513168195 ONWARDS
43	84400691	1	COVER, , UNTIL S/N 513168194
44	84790332	1	SEAT, , FROM S/N 513168195 ONWARDS
44	84400717	1	PLATE, , UNTIL S/N 513168194
1	16043224	52	SCREW, Hex, M8 x 16, 8.8, Full Thd, M8x16

UNTIL S/N 513168349

20.018A(01) GUARDS, PLASTIC



FROM S/N 513168350 ONWARDS

RI450 ROW INDEPENDENT CORNHEADER - FROM S/N 513168220 (1/03-)

20.018A(01) GUARDS, PLASTIC

Ref	Part Number	Qty	Description
1	82847806	2	SCREW, M8x140
2	322358	34	WASHER, LOCK, {PP:80322358} Belleville, M8, 8MM
3	82847802	18	WASHER,
4	82847865	1	GUARD,
5	120058	6	SCREW, {PP:80120058} Hex, M8 x 30, 8.8, M8x30
6	82847803	6	SCREW, M8x45
7	80749417	4	WASHER,
8	82847876	1	BAIL,
9	120065	2	SCREW, {PP:80120065} Hex, M8 x 110, 8.8, M8x110
10	82847851	2	PLATE,
11	120060	8	SCREW, {PP:80120060} Hex, M8 x 50, 8.8, M8x50
12	82847841	1	REINFORCEMENT,
13	140045	6	WASHER, LOCK, {PP:80140045} Belleville, M10, 10MM
14	82847800	6	SCREW, M10x30
15	82847864	1	GUARD,
16	82847799	2	SCREW, M8x80
17	82847869	1	GUARD,
18	82847840	1	SUPPORT,
19	82847956	1	PLATE,
20	82847838	1	SUPPORT,
21	82847955	1	PLATE,
22	82847874	1	BAIL,
23	100037	4	NUT, {PP:80100037} M10 x 1.5, CI 8, M10
24	140045	4	WASHER, LOCK, {PP:80140045} Belleville, M10, 10MM
25	309086	1	SCREW, {PP:80309086} Hex, M12 x 60, 8.8, Full Thd, M12x60
26	140046	2	WASHER, LOCK, {PP:80140046} Belleville, M12, 12MM
27	84819893	1	GUIDE,
28	80120042	2	BOLT, M10x30
29	84400657	1	SHIM,
30	84400564	1	GUIDE,
31	120183	2	SCREW, {PP:80120183} Hex, M12 x 90, 8.8, M12x90
32	84400606	1	PLATE,
33	82847833	1	PLATE,
34	84400566	1	GUIDE,
35	393698	2	SCREW, {PP:80393698} Hex Soc Flat Hd, M10 x 25, 8.8, M10x25
36	82847868	1	GUARD,
37	82847834	1	PLATE,
38	322358	6	WASHER, LOCK, {PP:80322358} Belleville, M8, 8MM
39	80120104	6	SCREW, M8x20
40	82847836	1	COVER, RH
41	120109	6	SCREW, {PP:80120109} Hex, M10 x 20, 8.8, Full Thd, M10x20
42	82847892	1	GUARD, RH
43	82847890	1	COVER, LH
44	82847835	1	COVER, LH
45	82847839	1	REINFORCEMENT,

FROM S/N 513168350 ONWARDS



20.018A(01) GUARDS, PLASTIC

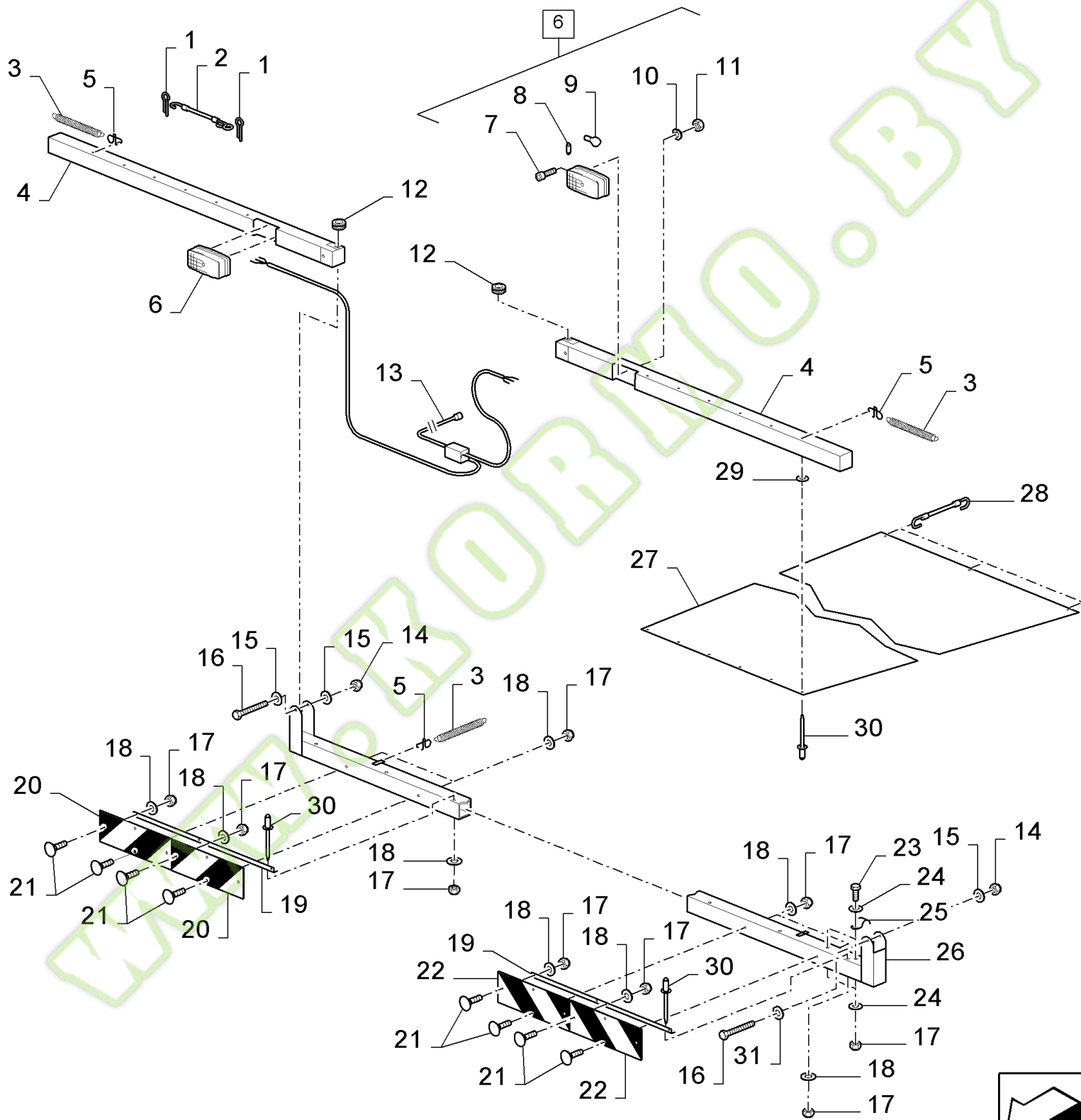
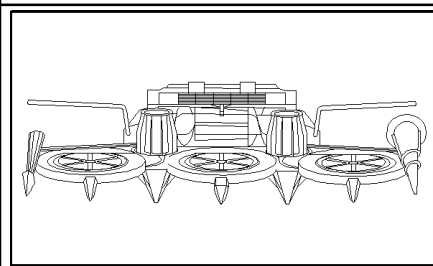
Ref	Part Number	Qty	Description
46	82847814	8	SCREW, M8x20
47	82847863	1	GUARD,
48	82847862	1	GUARD,
49	82847791	4	PIN, SPLIT (COTTER),
50	82847792	2	PIN, SPLIT (COTTER),

WWW.KORMO.BY

FROM S/N 513168350 ONWARDS



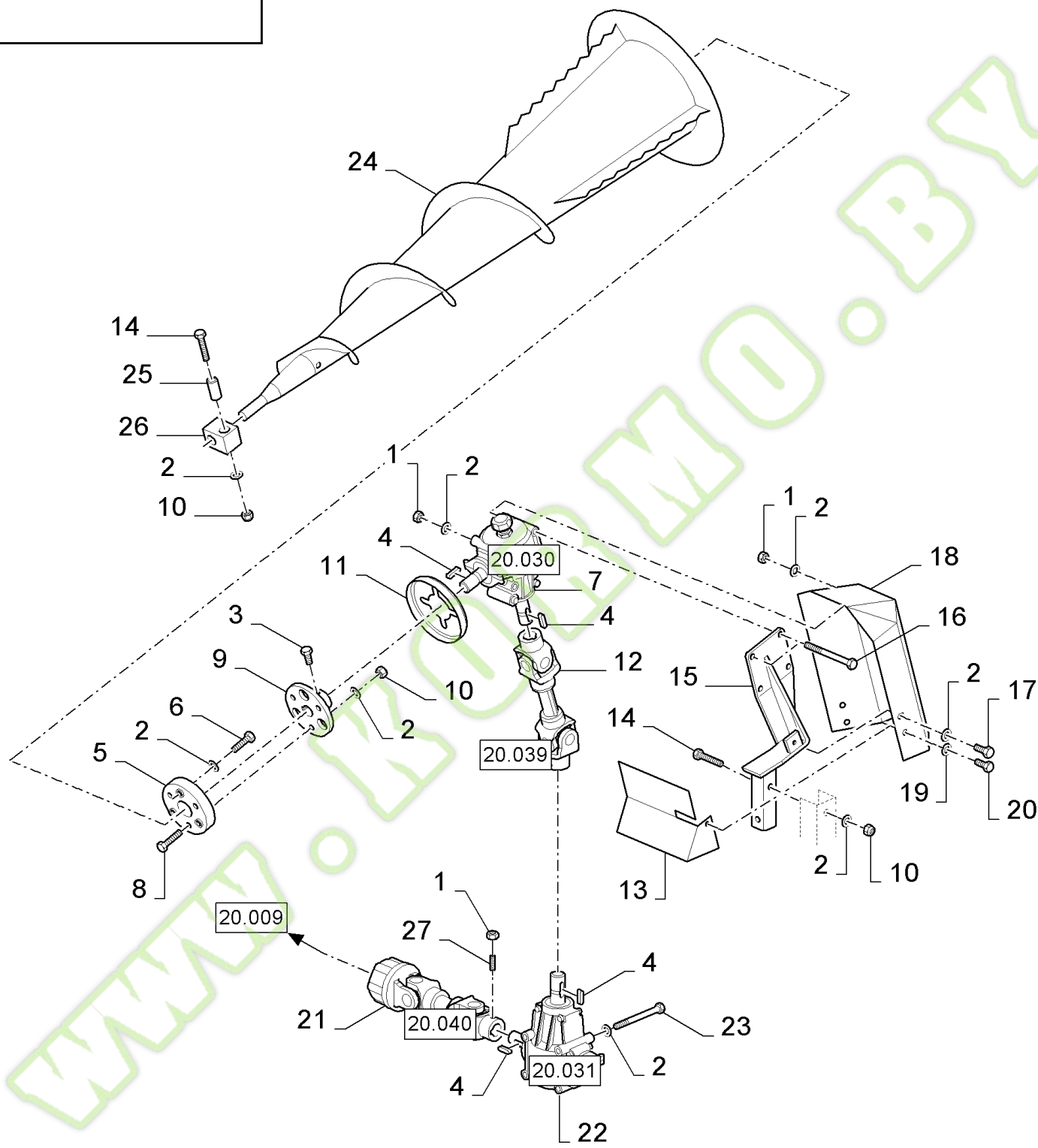
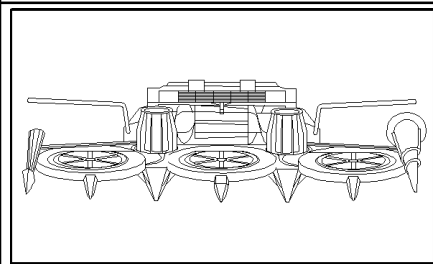
20.019(01) WARNING PLATES-LIGHTS



20.019(01) WARNING PLATES-LIGHTS

Ref	Part Number	Qty	Description
1	130006	4	PIN, SPLIT (COTTER), {PP:80130006} M4 x 20,
2	84400589	4	ROPE,
3	80749384	4	SPRING,
4	84400711	2	GUARD,
5	80749206	4	SPRING,
6	84400513	2	LAMP, (7 to 11)
7	120007	4	SCREW, {PP:80120007} Cross Pan Hd, M4 x 16, M4x16
8	89507581	2	BULB, 12V/5W
9	398877	2	BULB, {PP:80398877} 12V/21W
10	140024	4	WASHER, LOCK, {PP:80140024} M4, 4MM
11	100012	4	NUT, {PP:80100012} M4, CI 8, M4
12	9815554	2	GROMMET, {PP:89815554}
13	84814186	1	HARNESS, WIRE,
14	100067	2	NUT, {PP:80100067} M8 x 1.25", CI 8, M8
15	322358	4	WASHER, LOCK, {PP:80322358} Belleville, M8, 8MM
16	120065	2	SCREW, {PP:80120065} Hex, M8 x 110, 8.8, M8x110
17	353308	14	NUT, {PP:80353308} M6 x 1, CI 8, M6
18	140015	12	WASHER, {PP:80140015} 6.4MM
19	84400750	2	ANGLE BAR,
20	84400747	2	PLATE, STREET,
21	120031	12	SCREW, {PP:80120031} M6x12
22	84400746	2	PLATE, STREET,
23	80120099	2	SCREW, Hex, M6 x 16, 8.8, M6x16
24	322357	4	WASHER, LOCK, {PP:80322357} Belleville, M6, Belleville, M6
25	NSS	4	NOT SERVICED SEPARATELY, Clamp
26	84400712	1	GUARD,
27	84400715	2	CANVAS,
28	84400588	4	ROPE,
28	84400587	2	ROPE,
29	140014	12	WASHER, {PP:80140014} M5, 5.3MM
30	NSS	18	NOT SERVICED SEPARATELY, Rivet
31	80331173	4	WASHER, 8.4MM

20.020(01) ROTARY DIVIDER, MAIZE AUGER

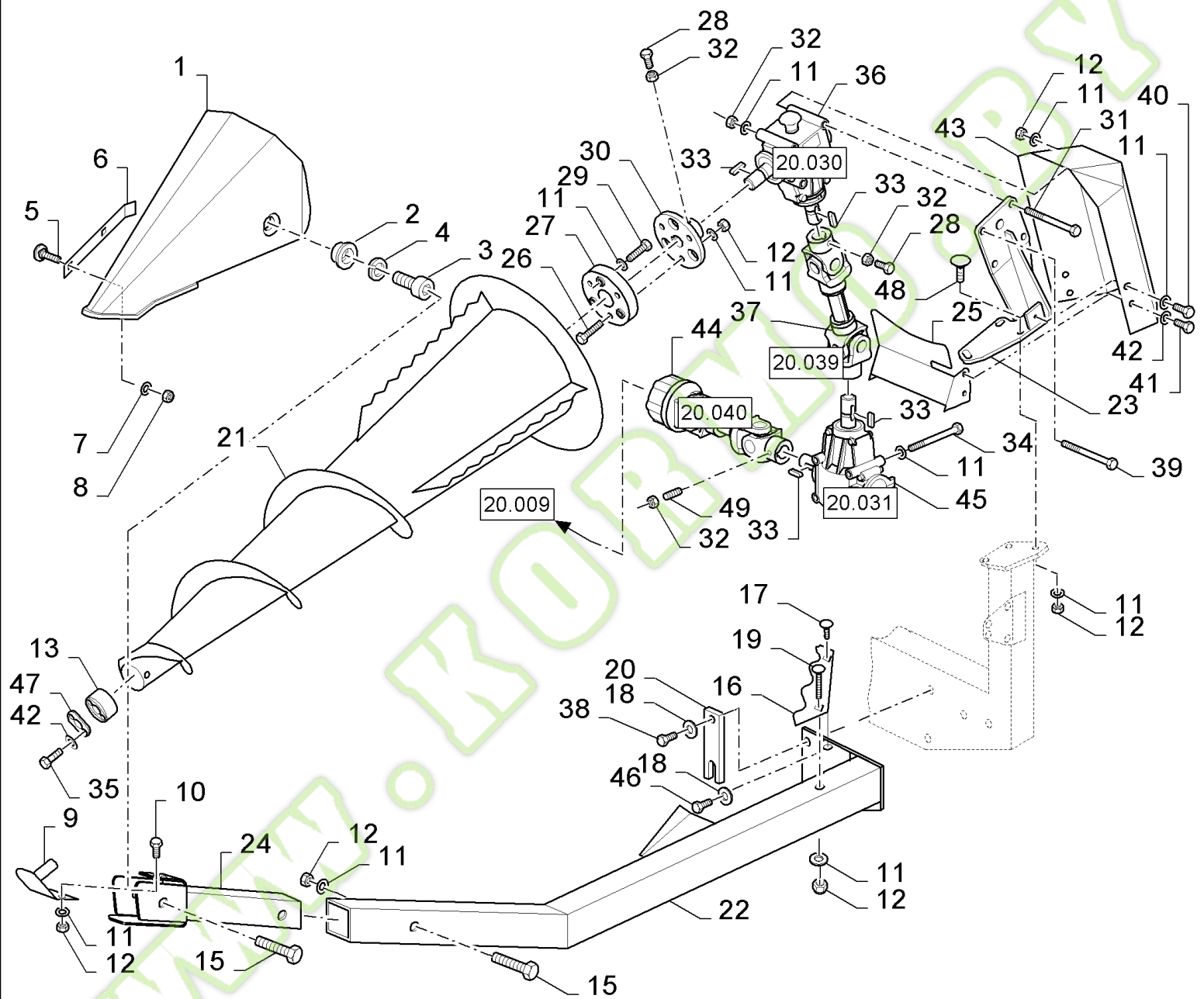
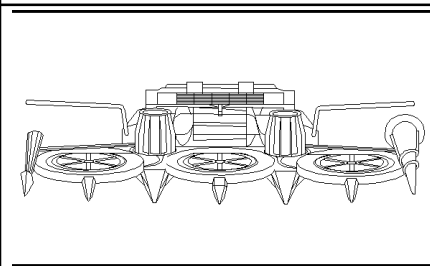


20.020(01) ROTARY DIVIDER, MAIZE AUGER

Ref	Part Number	Qty	Description
1	100016	26	NUT, {PP:80100016} M10, CI 8, M10
2	140045	34	WASHER, LOCK, {PP:80140045} Belleville, M10, 10MM
3	80300383	4	SCREW, M10x16
4	80727484	8	KEY, 8x7x36
5	89837483	2	DISC,
6	120112	6	SCREW, {PP:80120112} Hex, M10 x 40, 8.8, Full Thd, M10x40
7	84400751	2	GEARBOX,
8	84607011	6	SCREW,
9	89837490	2	PLATFORM, RIGID,
10	100037	12	NUT, {PP:80100037} M10 x 1.5, CI 8, M10
11	89837491	2	COVER,
12	84400573	2	SHAFT, PTO,
13	84400545	1	COVER, LH
13	84400546	1	COVER, RH
14	89509021	4	BOLT, M10x60
15	84819895	1	SUPPORT, LH
15	84819896	1	SUPPORT, RH
16	120077	16	SCREW, {PP:80120077} Hex, M10 x 120, 8.8, M10x120
17	89509033	4	BOLT, M10x25
18	82847951	1	GUARD, LH
18	82847952	1	GUARD, RH
19	322358	8	WASHER, LOCK, {PP:80322358} Belleville, M8, 8MM
20	80120104	8	SCREW, M8x20
21	84400572	2	SHAFT, PTO,
22	84400753	2	GEARBOX,
23	120076	8	SCREW, {PP:80120076} Hex, M10 x 110, 8.8, M10x110
24	84400489	1	ROLLER, LH
24	84400490	1	ROLLER, RH
25	84400517	2	BUSHING,
26	89837506	2	BLOCK,
27	84400585	1	ROD, THREADED,

UNTIL S/N 513168194

20.020A(01) ROTARY DIVIDER, MAIZE AUGER



20.020A(01) ROTARY DIVIDER, MAIZE AUGER

Ref	Part Number	Qty	Description
1	82847953	1	DIVIDER, LH
1	82847954	1	DIVIDER, RH
2	84038475	4	SLEEVE,
3	84022173	4	SCREW, Hex Soc Hd, M8 x 35, 8.8, M12
4	80412123	4	WASHER, LOCK, 12MM
5	120031	4	SCREW, {PP:80120031} M6x16x10
6	84400738	2	INDICATOR,
7	322357	4	WASHER, LOCK, {PP:80322357} Belleville, M6, Belleville, M6
8	353308	4	NUT, {PP:80353308} M6 x 1, CI 8, M6
9	82847959	2	BRACKET,
10	120111	10	SCREW, {PP:80120111} Hex, M10 x 30, 8.8, M10x30
11	140045	52	WASHER, LOCK, {PP:80140045} Belleville, M10, 10MM
12	100037	22	NUT, {PP:80100037} M10 x 1.5, CI 8, M10
13	84806378	2	SUPPORT,
14	84814165	2	WASHER,
15	120071	2	SCREW, {PP:80120071} Hex, M10 x 65, 8.8, M10x65
16	84400569	2	KNIFE,
17	338949	2	SCREW, {PP:80338949} Short NK, M10 x 25, CI8.8, Full Thd, M10x25
18	84400668	2	WASHER, 11MM
19	80120043	2	BOLT, M10x70
20	84814166	2	SHIM,
21	84806380	1	ROLL, LH
21	84806381	1	ROLLER, RH
22	84806382	1	SUPPORT, LH
22	84806383	1	SUPPORT, RH
23	82847957	1	SUPPORT, LH
23	82847958	1	SUPPORT, RH
24	84806386	1	SUPPORT, LH
24	84806387	1	SUPPORT, RH
25	84806388	1	COVER, LH
25	84806389	1	COVER, RH
26	84607011	6	SCREW, M10x50x29+2
27	89837483	2	DISC,
28	80300383	2	SCREW, M10x16
29	120068	6	SCREW, {PP:80120068} Hex, M10 x 40, 8.8, Full Thd, M10x45
30	89837490	2	PLATFORM, RIGID,
31	120077	6	SCREW, {PP:80120077} Hex, M10 x 120, 8.8, M10x120
32	100016	16	NUT, {PP:80100016} M10, CI 8, M10
33	80727484	4	KEY,
34	120076	8	SCREW, {PP:80120076} Hex, M10 x 110, 8.8, M10x110
35	80120061	4	SCREW, M8x60
36	84400751	2	GEARBOX,
37	84400573	2	SHAFT, PTO,
38	120111	4	SCREW, {PP:80120111} Hex, M10 x 30, 8.8, M10x30
39	86508575	2	BOLT, Hex, M10 x 130, 8.8, M10x130

FROM S/N 513168195 UNTIL 513168349

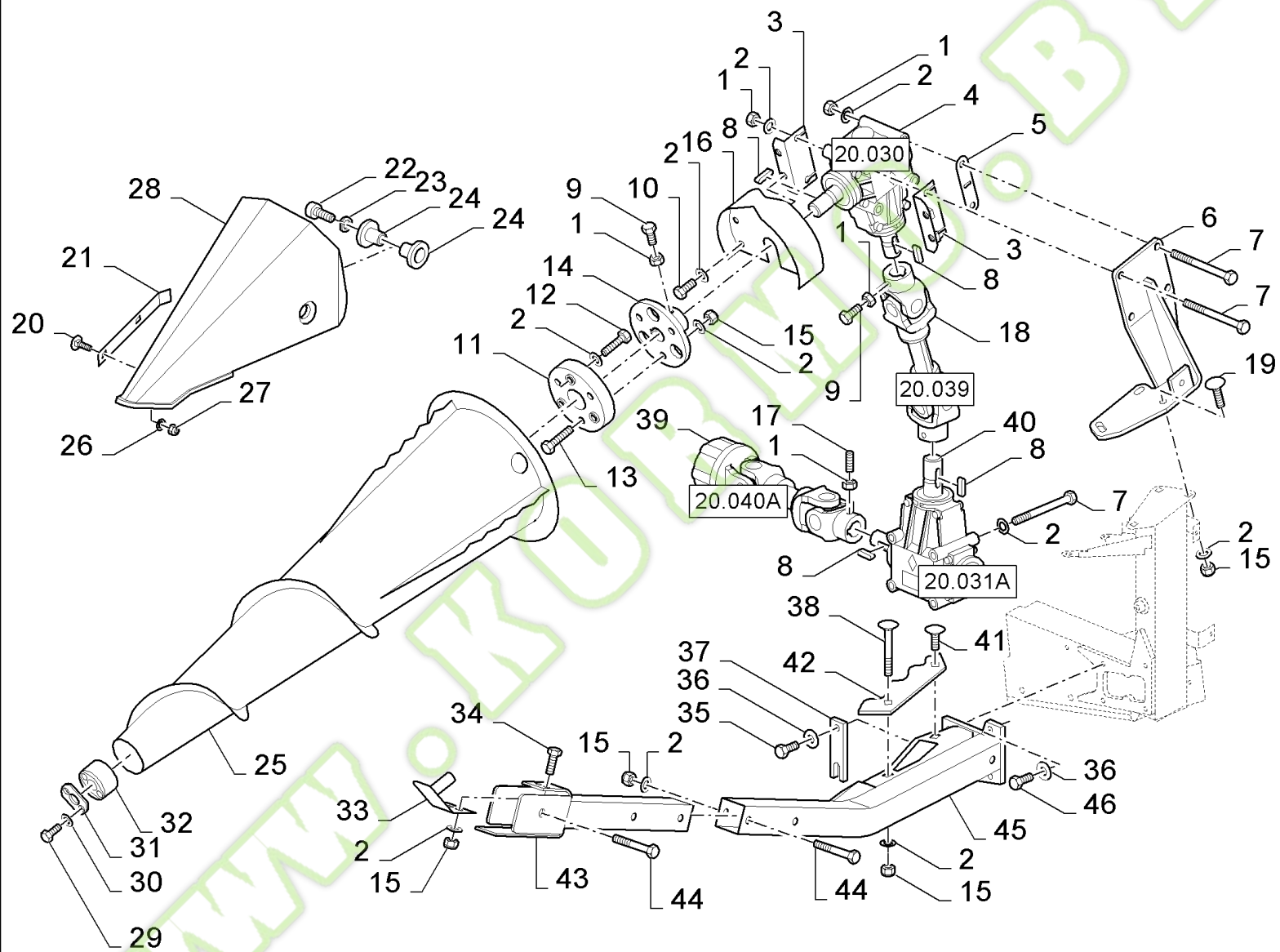
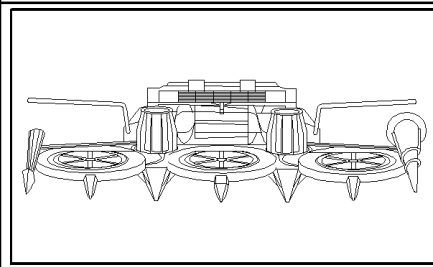


20.020A(01) ROTARY DIVIDER, MAIZE AUGER

Ref	Part Number	Qty	Description
40	89509033	2	BOLT, M10x25
41	80120104	6	SCREW, M8x20
42	322358	14	WASHER, LOCK, {PP:80322358} Belleville, M8, 8MM
43	84806390	1	COVER, LH
43	84806391	1	COVER, RH
44	84400572	2	SHAFT, PTO,
45	84400753	2	GEARBOX,
46	449532	4	SCREW, {PP:80449532} Hex Lock, M10 x 25, 8.8, M10x25
47	84814165	2	WASHER,
48	80120042	6	BOLT, M10x30
49	84400585	2	ROD, THREADED,

FROM S/N 513168195 UNTIL 513168349

20.020B(01) ROTARY DIVIDER, MAIZE AUGER



20.020B(01) ROTARY DIVIDER, MAIZE AUGER

Ref	Part Number	Qty	Description
1	100016	16	NUT, {PP:80100016} M10, CI 8, M10
2	140045	66	WASHER, LOCK, {PP:80140045} Belleville, M10, 10MM
3	82847837	4	BRACKET, SUPPORTING,
4	84400751	2	GEARBOX,
5	82847849	2	BRACKET,
6	82847957	1	SUPPORT, LH
6	82847958	1	SUPPORT, RH
7	120077	16	SCREW, {PP:80120077} Hex, M10 x 120, 8.8, M10x120
8	80727484	4	KEY,
9	80300383	2	SCREW, M10x16
10	120109	10	SCREW, {PP:80120109} Hex, M10 x 20, 8.8, Full Thd, M10x20
11	89837483	2	DISC,
12	120068	6	SCREW, {PP:80120068} Hex, M10 x 40, 8.8, Full Thd, M10x45
13	84607011	6	SCREW, M10x50
14	89837490	2	PLATFORM, RIGID,
15	100037	26	NUT, {PP:80100037} M10 x 1.5, CI 8, M10
16	82847832	2	PROTECTOR,
17	84400585	2	ROD, THREADED, M10x25
18	84400573	2	SHAFT, PTO,
19	80120042	6	BOLT, M10x30
20	120031	4	SCREW, {PP:80120031} M6x16x10
21	84400738	2	INDICATOR,
22	84022173	4	SCREW, Hex Soc Hd, M8 x 35, 8.8, M12x30
23	80412123	4	WASHER, LOCK,
24	84038475	4	SLEEVE,
25	82847880	1	ROLL, LH
25	82847881	1	ROLL, RH
26	322357	4	WASHER, LOCK, {PP:80322357} Belleville, M6, Belleville, M6
27	353308	4	NUT, {PP:80353308} M6 x 1, CI 8, M6
28	82847953	1	DIVIDER, LH
28	82847954	1	DIVIDER, RH
29	80120061	4	SCREW, M8x60
30	322358	4	WASHER, LOCK, {PP:80322358} Belleville, M8, 8MM
31	84814165	2	WASHER,
32	84806378	2	SUPPORT,
33	82847959	2	BRACKET,
34	120111	4	SCREW, {PP:80120111} Hex, M10 x 30, 8.8, M10x30
35	120111	4	SCREW, {PP:80120111} Hex, M10 x 30, 8.8, M10x30
36	84400668	2	WASHER, 11MM
37	84814166	2	SHIM,
38	80120043	2	BOLT, M10x70
39	82847850	2	SHAFT, PROPELLOR,
40	84806393	2	GEARBOX,
41	338949	2	SCREW, {PP:80338949} Short NK, M10 x 25, CI8.8, Full Thd, M10x25
42	84400569	2	KNIFE,

FROM S/N 513168350 ONWARDS



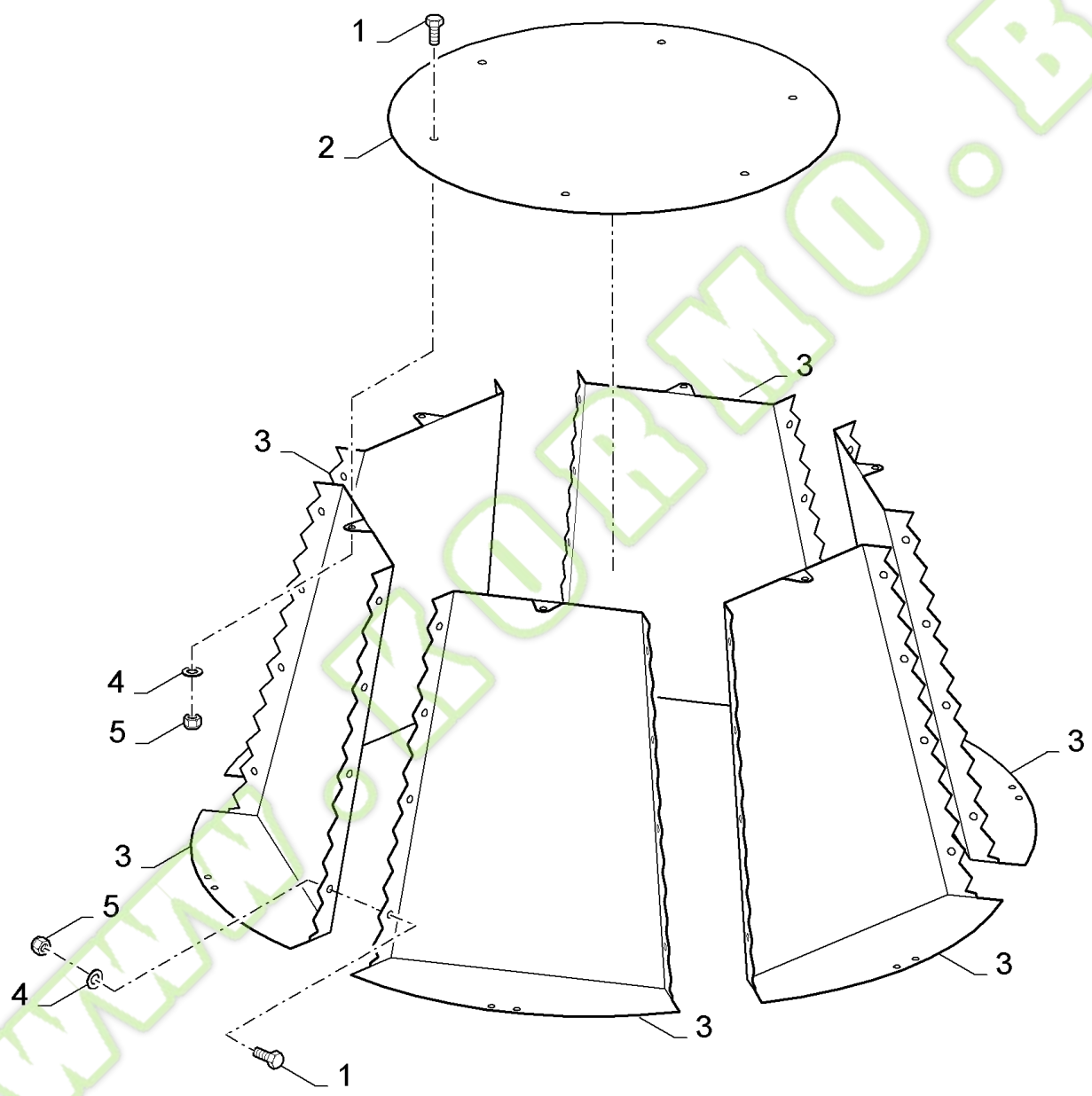
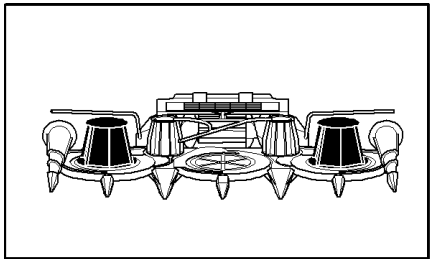
20.020B(01) ROTARY DIVIDER, MAIZE AUGER

Ref	Part Number	Qty	Description
43	84806386	1	SUPPORT, LH
43	84806387	1	SUPPORT, RH
44	120071	2	SCREW, {PP:80120071} Hex, M10 x 65, 8.8, M10x65
45	82847829	1	SUPPORT, LH
45	82847830	1	SUPPORT, RH
46	449532	4	SCREW, {PP:80449532} Hex Lock, M10 x 25, 8.8, M10x25

WWW.KORMO.BY

FROM S/N 513168350 ONWARDS

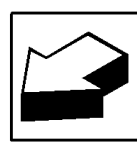
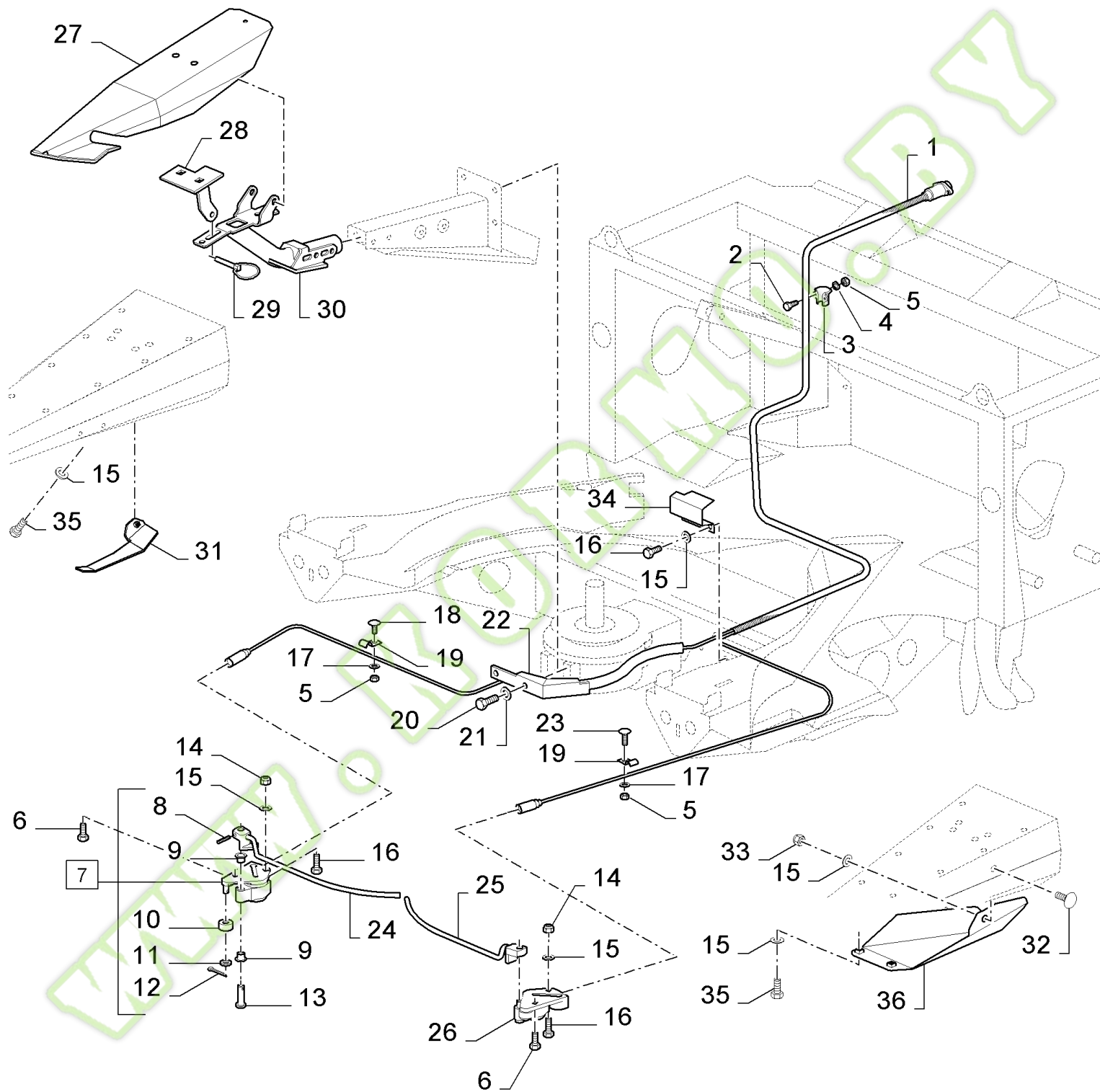
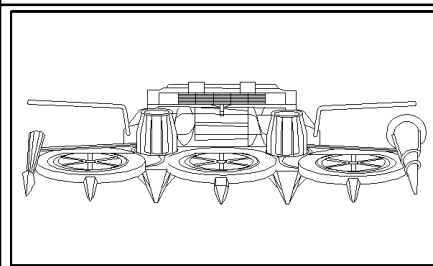




20.021(01) LAID MAIZE CONE

Ref	Part Number	Qty	Description
1	120103	30	SCREW, {PP:80120103} Hex, M8 x 16, 8.8, M8x16
2	84818527	2	COVER,
3	84818528	12	SEGMENT,
4	322358	30	WASHER, LOCK, {PP:80322358} Belleville, M8, 8MM
5	100067	30	NUT, {PP:80100067} M8 x 1.25", CI 8, M8

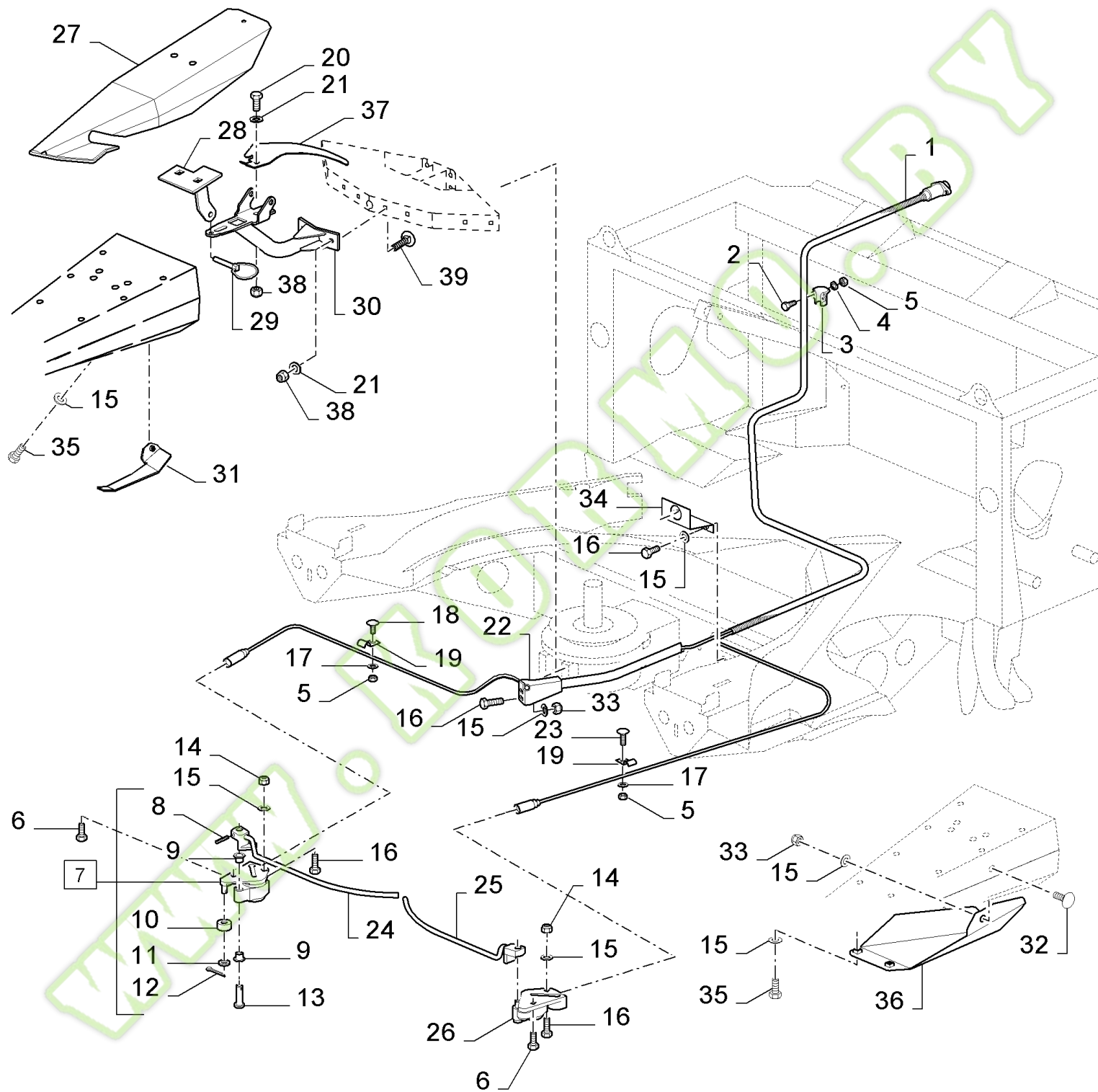
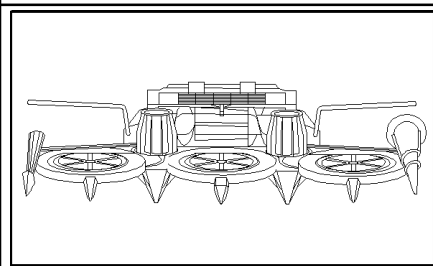
WWW.KORMO.BY



20.022(01) AUTOPILOT

Ref	Part Number	Qty	Description
1	84400607	1	HARNES, WIRE,
2	86977786	2	BOLT, Hex, M6 x 25, 8.8, M6x25
3	9516056	1	CLAMP, {PP:89516056}
4	140026	2	WASHER, {PP:80140026} M6, 6MM
5	100014	10	NUT, {PP:80100014} M6, CI 8, M6
6	80120104	2	SCREW, M8x20
7	84400731	1	SENSOR, RH(8 to 12)
-	84814187	1	SPRING, RH
8	412686	2	PIN, SPLIT (COTTER), {PP:80412686} M5 x 32,
9	9815563	4	RING, {PP:89815563}
10	9815559	2	RING, {PP:89815559}
11	89507410	2	WASHER, 13MM
12	89509016	2	PIN, SPLIT (COTTER),
13	9815564	2	SPINDLE, {PP:89815564}
14	100015	2	NUT, {PP:80100015} M8, CI 8, M8
15	322358	10	WASHER, LOCK, {PP:80322358} Belleville, M8, 8MM
16	43127	6	BOLT, {PP:80043127} Hex, M8 x 25, 8.8, M8x25
17	322357	11	WASHER, LOCK, {PP:80322357} Belleville, M6, Belleville, M6
18	120031	5	SCREW, {PP:80120031} M6x16
19	84400512	8	CLIP,
20	300389	2	SCREW, {PP:80300389} Hex, M12 x 35, 8.8, Full Thd, M12x35
21	140046	2	WASHER, LOCK, {PP:80140046} Belleville, M12, 12MM
22	84790336	1	TUBE,
23	80749459	3	SCREW, M6x25
24	84400728	1	SENDER UNIT, RH
25	84400729	1	SENDER UNIT, LH
26	84400730	1	SENSOR, LH
-	84814188	1	SPRING, LH
27	84819879	1	DIVIDER,
28	84400495	1	ANGLE BAR,
29	84400622	1	PIN,
30	84400598	1	SUPPORT,
31	84790216	1	SHOE, OUTER,
32	412430	2	BOLT, {PP:80412430} Short NK, M6 x 16, CI8.8, Full Thd, M8x16
33	100067	2	NUT, {PP:80100067} M8 x 1.25", CI 8, M8
34	84607013	1	COVER,
36	84814189	1	COVER,
35	16043224	5	SCREW, Hex, M8 x 16, 8.8, Full Thd, M6x16

UNTIL S/N 513168194

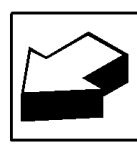
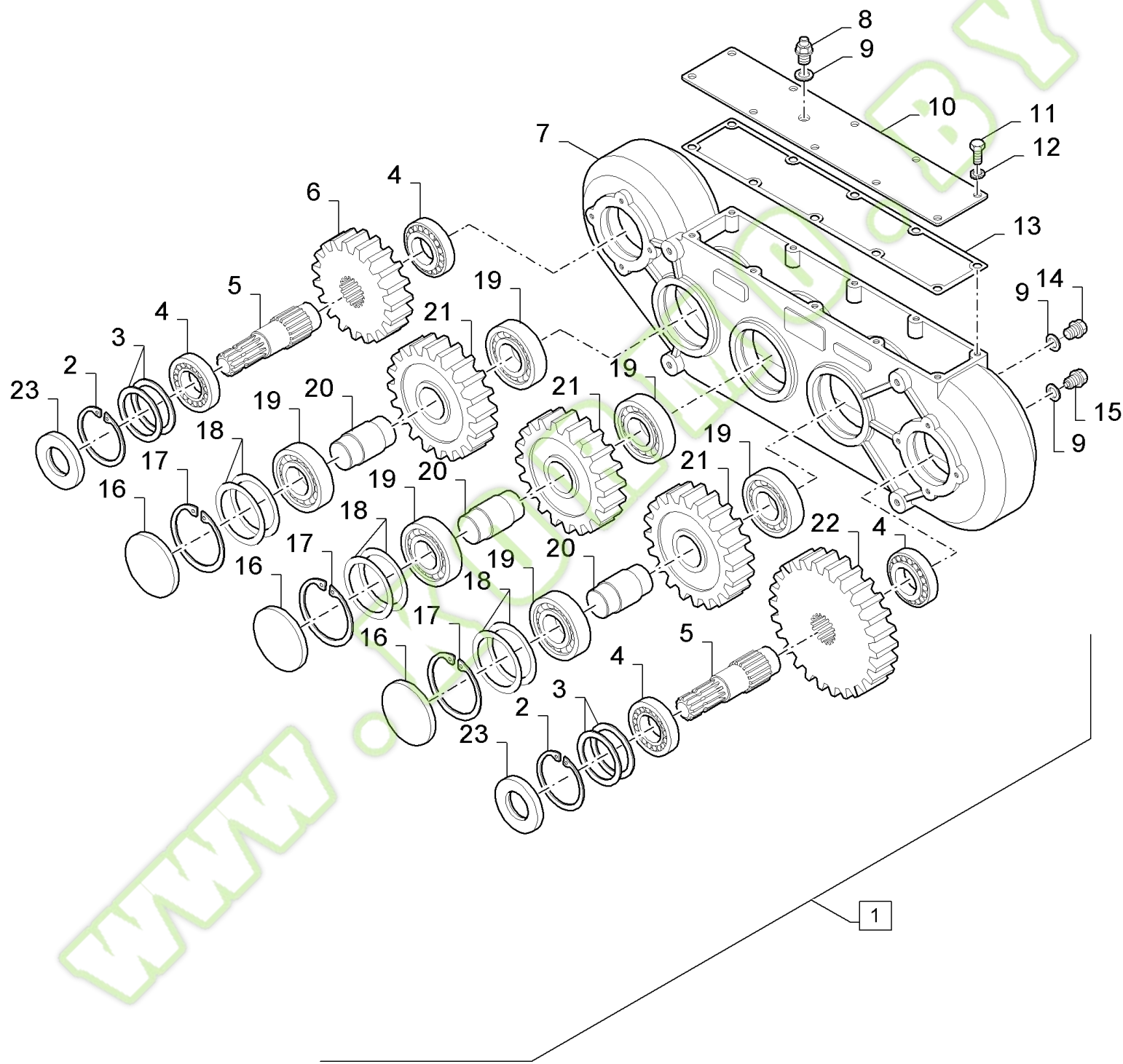
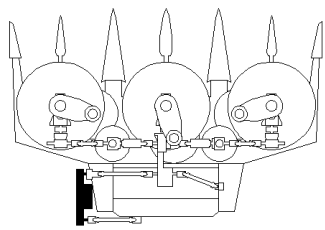


20.022A(01) AUTOPILOT

Ref	Part Number	Qty	Description
1	84400607	1	HARNES, WIRE,
2	86977786	2	BOLT, Hex, M6 x 25, 8.8, M6x25
3	9516056	1	CLAMP, {PP:89516056}
4	140026	2	WASHER, {PP:80140026} M6, 6MM
5	100014	10	NUT, {PP:80100014} M6, CI 8, M6
6	80120104	2	SCREW, M8x20
7	84400731	1	SENSOR, RH(8 to 12)
-	84814187	1	SPRING, RH
8	412686	2	PIN, SPLIT (COTTER), {PP:80412686} M5 x 32,
9	9815563	4	RING, {PP:89815563}
10	9815559	2	RING, {PP:89815559}
11	89507410	2	WASHER, 13MM
12	89509016	2	PIN, SPLIT (COTTER),
13	9815564	2	SPINDLE, {PP:89815564}
14	100015	2	NUT, {PP:80100015} M8, CI 8, M8
15	322358	10	WASHER, LOCK, {PP:80322358} Belleville, M8, 8MM
16	43127	6	BOLT, {PP:80043127} Hex, M8 x 25, 8.8, M8x25
17	322357	11	WASHER, LOCK, {PP:80322357} Belleville, M6, Belleville, M6
18	120031	5	SCREW, {PP:80120031} M6x16
19	84400512	8	CLIP,
20	80300511	1	BOLT, M10x20
21	140045	3	WASHER, LOCK, {PP:80140045} Belleville, M10, 10MM
22	84790217	1	TUBE,
23	80749459	3	SCREW, M6x25
24	84400728	1	SENDER UNIT, RH
25	84400729	1	SENDER UNIT, LH
26	84400730	1	SENSOR, LH
-	84814188	1	SPRING, LH
27	84819879	1	DIVIDER,
28	84400495	1	ANGLE BAR,
29	84400622	1	PIN,
30	84790215	1	BRACKET,
31	84790216	1	SHOE, OUTER,
32	412430	2	BOLT, {PP:80412430} Short NK, M6 x 16, CI8.8, Full Thd, M8x16
33	100067	2	NUT, {PP:80100067} M8 x 1.25", CI 8, M8
34	84790218	1	COVER,
36	84814189	1	COVER,
37	84400645	1	INDICATOR,
38	100037	3	NUT, {PP:80100037} M10 x 1.5, CI 8, M10
39	80120042	2	BOLT, M10x30
35	16043224	5	SCREW, Hex, M8 x 16, 8.8, Full Thd, M6x16

FROM S/N 513168195 ONWARDS

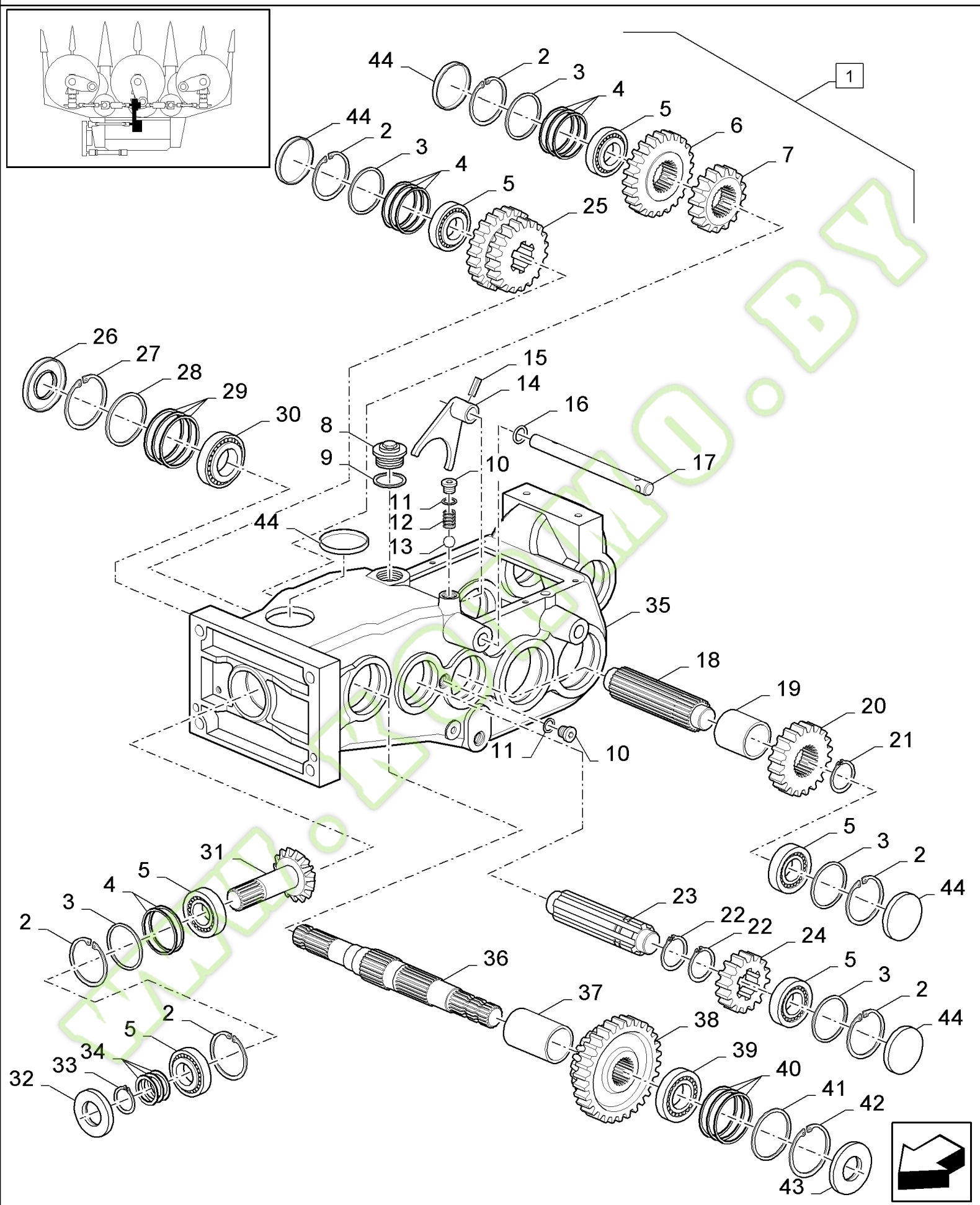
20.023(01) SPUR GEARBOX



20.023(01) SPUR GEARBOX

Ref	Part Number	Qty	Description
1	84819856	1	GEARBOX, (2 to 23)
2	80300633	2	RING, SNAP,
3	84819905	2	WASHER, SPECIAL,
4	210053	4	BEARING ASSY, {PP:80210053}
5	84819906	2	SHAFT,
6	84819907	1	GEAR,
7	84819908	1	TRANSMISSION HOUSING,
8	84814116	1	BREATHER,
9	84400846	4	SEAL,
10	84819909	1	COVER,
11	120110	10	SCREW, {PP:80120110} Hex, M10 x 25, 8.8, Full Thd, M10x25
12	06454901	10	WASHER, LOCK, {PP:12034671} 10MM
13	84819910	1	GASKET,
14	84400845	2	PLUG,
15	84819911	1	PLUG,
16	84819912	3	PLUG, STOP,
17	84819913	3	CIRCLIP,
18	84819914	3	SHIM, THK.:1MM
19	84819915	6	BEARING,
20	84819916	3	SHAFT,
21	84819917	3	GEAR,
22	84819918	1	GEAR,
23	84607674	2	SEAL,

20.024(01) GEARBOX



20.024(01) GEARBOX

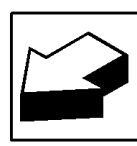
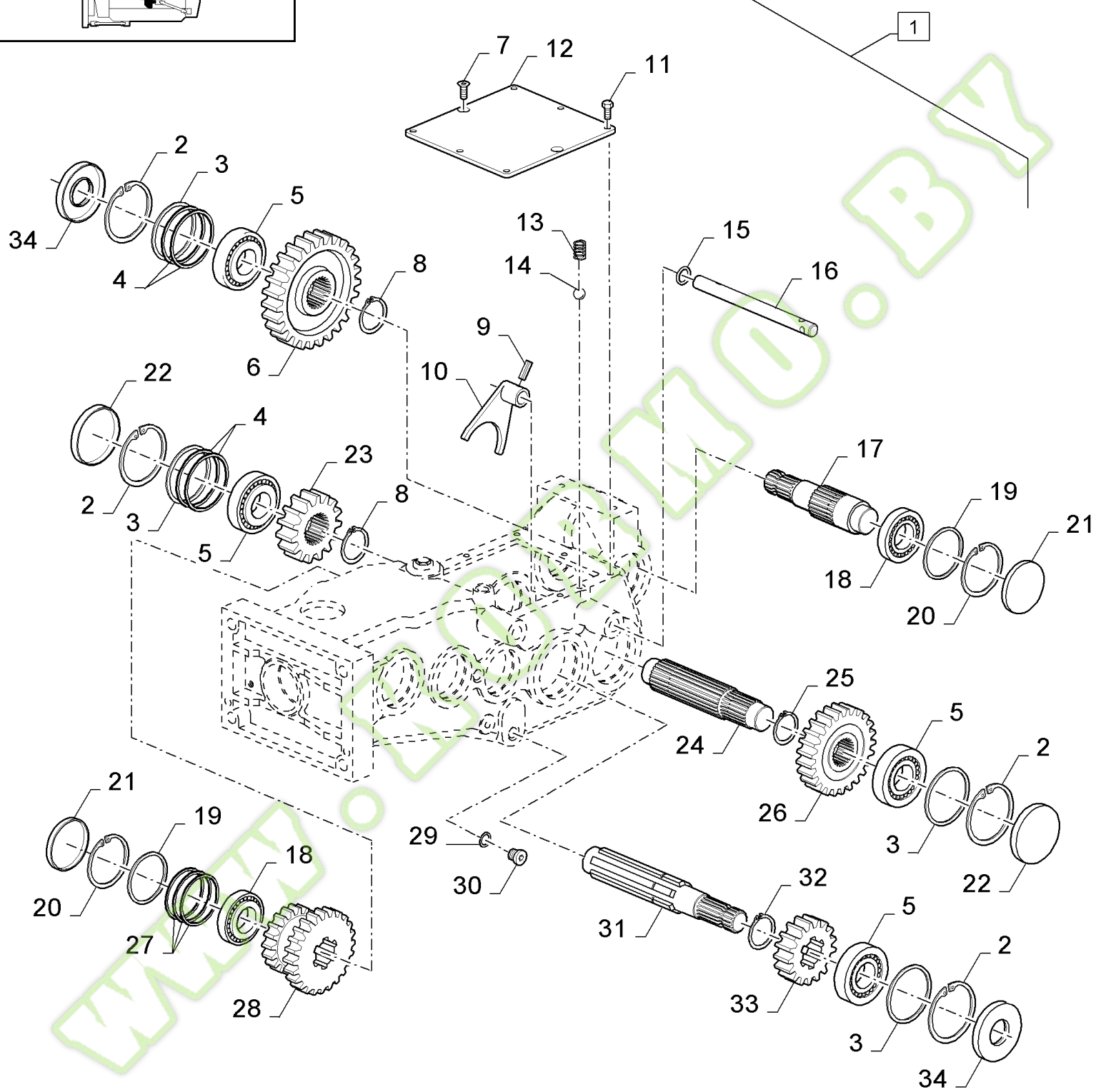
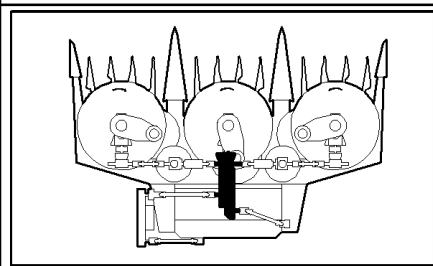
Ref	Part Number	Qty	Description
1	84819843	1	GEARBOX, (2 to 44)
2	84790250	3	CIRCLIP,
3	84400499	5	SHIM, THK.:2MM
4	84400653	5	SHIM, THK.:0.1MM
4	84400654	3	SHIM, THK.:0.3MM
4	84400655	2	SHIM, THK.:0.5MM
5	161715	6	BEARING ASSY, {PP:80161715}
6	84790242	1	GEAR,
7	84790241	1	GEAR,
8	84790252	1	PLUG,
9	84790253	1	SEAL, OIL,
10	84814190	2	PLUG,
11	84400844	3	SEAL,
12	84607653	2	SPRING,
13	552055	2	BALL, {PP:80552055}
14	84790247	2	FORK,
15	9512583	1	PIN, ROLL, {PP:89512583} M10 x 30, Slotted,
16	84790248	2	O-RING,
17	84790246	1	ROD,
18	84790238	1	SHAFT,
19	84790255	1	BUSHING,
20	84790240	1	GEAR,
21	84790251	3	CIRCLIP,
22	396138	2	CIRCLIP, {PP:80396138}
23	84790239	1	SHAFT,
24	84790245	1	GEAR,
25	84790243	1	GEAR,
26	84607659	1	SEAL,
27	370021	1	CIRCLIP, {PP:80370021} M85 x 3, Int,
28	84607660	1	SHIM, THK.:2MM
29	80749421	2	PLATE, ADJUSTING, THK.:0.5MM
29	80749420	1	PLATE, ADJUSTING, THK.:0.3MM
29	80749419	1	PLATE, ADJUSTING, THK.:0.1MM
30	853164	1	BEARING ASSY, {PP:80853164}
31	84400556	1	SHAFT,
32	84400505	1	SEAL,
33	370004	1	CIRCLIP, {PP:80370004}
34	80749438	1	PLATE, ADJUSTING, THK.:1MM
34	84400558	2	SHIM, THK.:0.1MM
34	84400559	2	SHIM, THK.:0.3MM
35	84790237	1	HOUSING,
36	84607662	1	SHAFT,
37	84607661	1	BUSHING,
38	84607663	1	GEAR,
39	210053	3	BEARING ASSY, {PP:80210053}

20.024(01) GEARBOX

Ref	Part Number	Qty	Description
40	84400897	6	SHIM, THK.:0.1MM
40	84400923	4	SHIM, THK.:0.3MM
40	84400899	2	SHIM, THK:0.5MM
41	84400902	6	SHIM, THK:1.0MM
42	80300633	3	RING, SNAP,
43	84790249	1	SEAL, OIL,
44	84790254	5	BUTTON, HOLE PLUG,

WWW.KORMO.BY

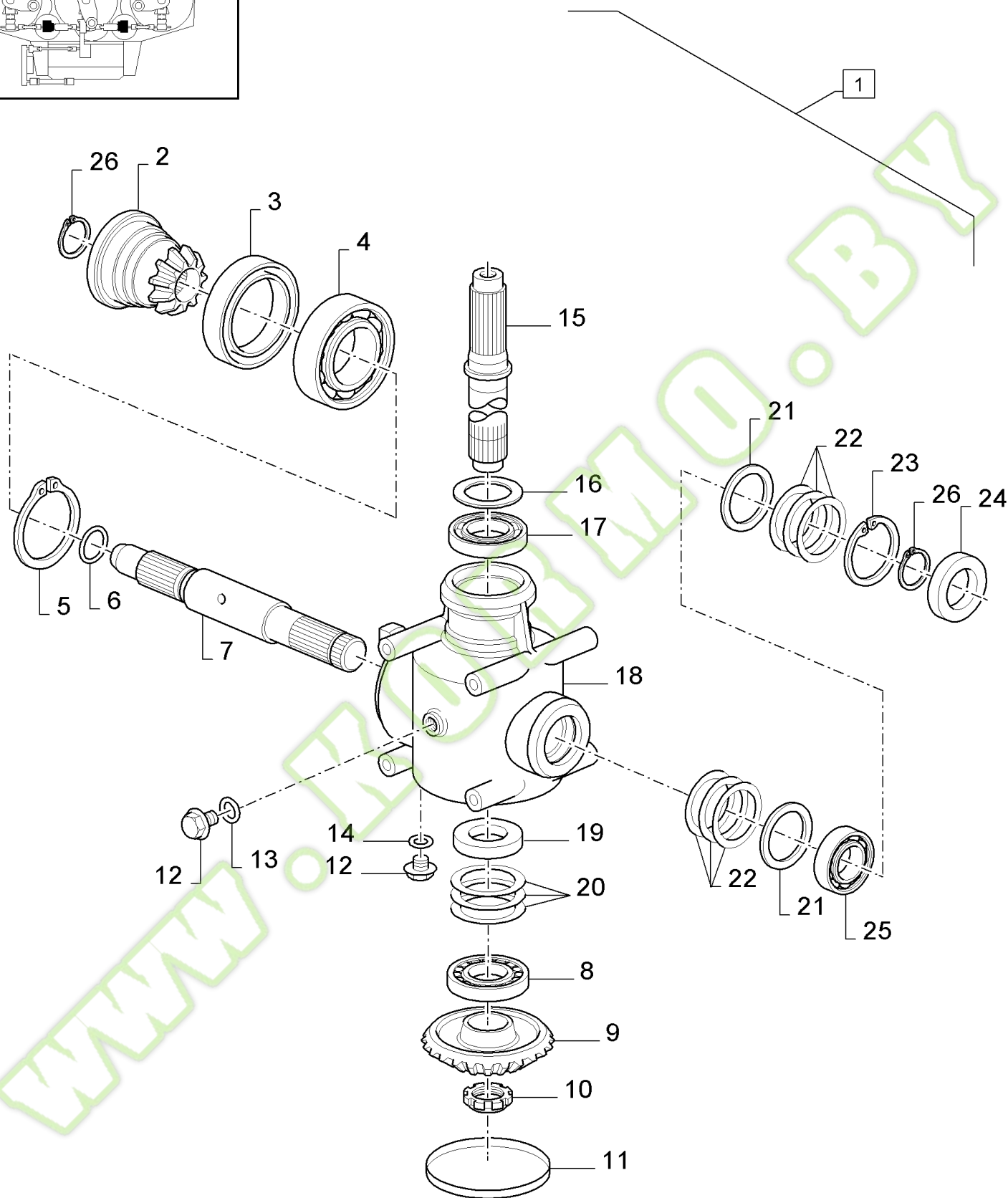
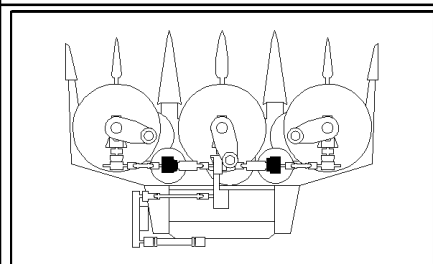
20.024A(01) GEARBOX



20.024A(01) GEARBOX

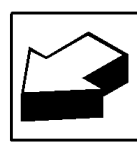
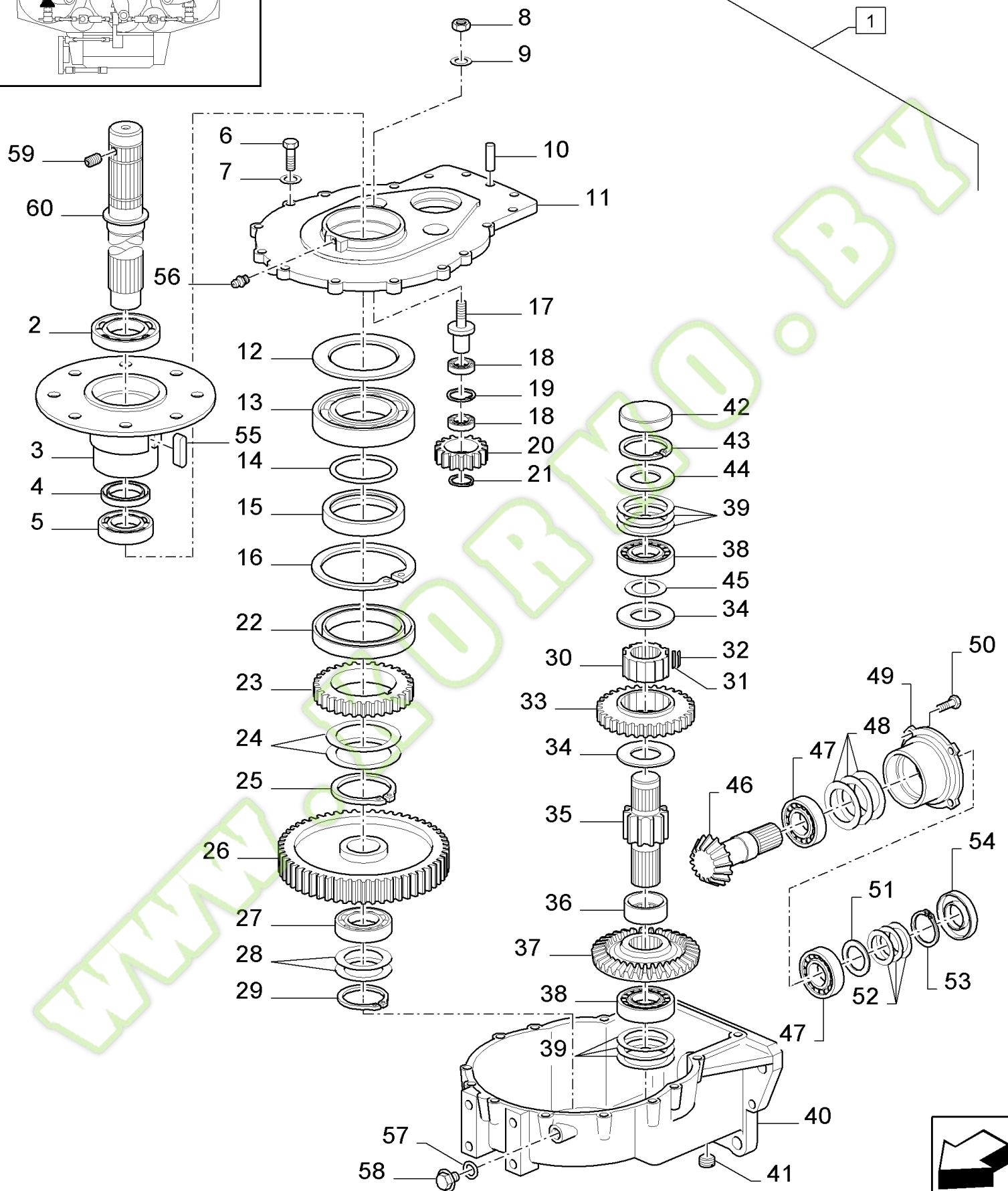
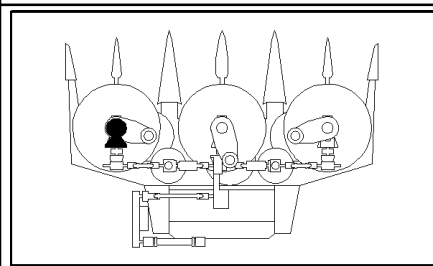
Ref	Part Number	Qty	Description
1	84819843	1	GEARBOX, (2 to 34)
2	84819913	4	CIRCLIP,
3	84790270	8	SHIM, THK.:1MM
4	84790276	2	SHIM, THK.:0.1MM
4	84790280	2	SHIM, THK.:0.3MM
5	84790273	4	BEARING,
6	84790266	1	GEAR,
7	412710	2	SCREW, {PP:80412710} Hex Soc Flat Hd, M6 x 20, 10.9, M8x20
8	84790251	3	CIRCLIP,
9	9512583	2	PIN, ROLL, {PP:89512583} M10 x 30, Slotted,
10	84790247	2	FORK,
11	80120104	6	SCREW, M8x20
12	84790269	1	PLATE,
13	84607653	2	SPRING,
14	552055	2	BALL, {PP:80552055}
15	84790248	2	O-RING,
16	84790267	1	ROD,
17	84790268	1	SHAFT,
18	210053	3	BEARING ASSY, {PP:80210053}
19	84400902	6	SHIM, THK.:1.0MM
20	80300633	3	RING, SNAP,
21	84790274	2	BUTTON, HOLE PLUG,
22	84790275	2	BUTTON, HOLE PLUG,
23	84790265	1	GEAR,
24	84790261	1	SHAFT,
25	84790271	1	CIRCLIP,
26	84790264	1	GEAR,
27	84400897	6	SHIM, THK.:0.1MM
27	84400923	4	SHIM, THK.:0.3MM
27	84400899	2	SHIM, THK.:0.5MM
28	84790262	1	GEAR,
29	84400844	3	SEAL,
30	84607649	1	PLUG,
31	84790260	1	SHAFT,
32	396138	2	CIRCLIP, {PP:80396138}
33	84790263	1	GEAR,
34	84790272	2	SEAL, OIL,

20.025(01) GEARBOX, FEEDER ROLLER



20.025(01) GEARBOX, FEEDER ROLLER

Ref	Part Number	Qty	Description
1	84400563	1	GEARBOX, (2 to 26)
2	84400913	1	GEAR, Z=11
3	84400914	1	SEAL,
4	354282	1	BEARING ASSY, {PP:80354282}
5	300637	1	CIRCLIP, {PP:80300637}
6	84400915	1	O-RING,
7	84400916	1	SHAFT,
8	210053	1	BEARING ASSY, {PP:80210053}
9	84400917	1	GEAR, Z=20
10	100051	1	NUT, {PP:80100051} Short NK, 7/16"-14 x 1 1/2", G5. Full Th, M35x1.5
11	84400918	1	COVER,
12	84400845	3	PLUG,
13	84400844	2	SEAL,
14	84400846	1	SEAL,
15	84400919	1	SHAFT,
16	84400920	1	SEAL,
17	330052	1	BEARING ASSY, {PP:80330052}
18	84400921	1	HOUSING,
19	84400922	1	SEAL,
20	84400899	AR	SHIM, THK.:0.5MM
20	84400923	AR	SHIM, THK.:0.3MM
20	84400897	AR	SHIM, THK.:0.1MM
21	84005660	AR	RING, THK.:1MM
22	84400924	AR	SHIM, THK.:0.5MM
22	84400925	AR	SHIM, THK.:0.3MM
22	84400926	AR	SHIM, THK.:0.1MM
23	370018	1	RING, SNAP, {PP:80370018}
24	84400505	1	SEAL,
25	80037203	1	BEARING ASSY,
26	84400912	2	CIRCLIP,



20.026(01) GEARBOX, ROTOR - LH

Ref	Part Number	Qty	Description
1	84400660	1	GEARBOX, (2 to 60)
2	84400869	1	BEARING ASSY,
3	84400870	1	FLANGE,
4	84400871	1	SEAL,
5	9814102	1	BEARING ASSY, {PP:89814102}
6	84400872	15	SCREW, M10x40
7	140045	15	WASHER, LOCK, {PP:80140045} Belleville, M10, 10MM
8	100020	1	NUT, {PP:80100020} M16, CI 8, M16, CI 8
9	140048	1	WASHER, LOCK, {PP:80140048} Belleville, M16, 16MM
10	84400873	2	PIN, 10x24
11	84400909	1	HOUSING, BEARING,
12	84400875	1	SEAL,
13	84400876	1	BEARING ASSY,
14	84400877	1	O-RING,
15	84400878	1	BUSHING,
16	84400879	1	CIRCLIP,
17	84400880	1	SHAFT,
18	412669	2	BEARING ASSY, {PP:80412669}
19	300647	1	CIRCLIP, {PP:80300647}
20	84400881	1	GEAR, Z=17
21	84400815	1	CIRCLIP,
22	84400882	1	SEAL,
23	84400883	1	GEAR, Z=34
24	84400884	AR	SHIM, THK.:0.1MM
24	84400885	AR	SHIM, THK.:0.3MM
25	370010	1	CIRCLIP, {PP:80370010}
26	84400886	1	GEAR, Z=53
27	37198	1	BEARING, BALL, {PP:80037198}
28	84400887	2	SHIM, THK.:0.1MM
28	84400888	1	SHIM, THK.:0.3MM
29	370007	1	CIRCLIP, {PP:80370007}
30	84400889	1	HUB,
31	84400890	4	KEY,
32	84400891	4	SPRING-DISC,
33	84400892	1	GEAR, Z=34
34	84400893	2	WASHER,
35	84400894	1	GEAR, Z=11
36	84400895	1	BUSHING,
37	84400896	1	GEAR, Z=34
38	210053	2	BEARING ASSY, {PP:80210053}
39	84400897	AR	SHIM, THK.:0.1MM
39	84400898	AR	SHIM, THK.:0.2MM
39	84400899	AR	SHIM, THK.:0.5MM
40	84400900	1	HOUSING,
41	89508993	1	PLUG,

20.026(01) GEARBOX, ROTOR - LH

Ref	Part Number	Qty	Description
42	84400901	1	COVER,
43	80300633	1	RING, SNAP,
44	84400902	2	SHIM, THK.:1MM
45	140124	1	PLATE, ADJUSTING, {PP:80140124} THK:0.5MM
46	84400903	1	SHAFT,
47	161715	2	BEARING ASSY, {PP:80161715}
48	84400653	AR	SHIM, THK.:0.1MM
48	84400655	AR	SHIM, THK.:0.5MM
48	84400654	AR	SHIM, THK.:0.3MM
49	84400904	1	HOUSING, BEARING,
50	120110	4	SCREW, {PP:80120110} Hex, M10 x 25, 8.8, Full Thd, M10x25
51	80749438	1	PLATE, ADJUSTING, THK.:1MM
52	84400558	AR	SHIM, THK.:0.1MM
52	80749437	AR	PLATE, ADJUSTING, THK.:0.5MM
52	84400559	AR	SHIM, THK.:0.3MM
53	370004	1	CIRCLIP, {PP:80370004}
54	84400905	1	SEAL,
55	84400906	2	KEY,
56	150024	1	NIPPLE, LUBE, {PP:80150024}
57	84400844	1	SEAL,
58	84400907	1	PLUG,
59	84400908	1	STUD, 5x16
60	84400868	1	SHAFT,

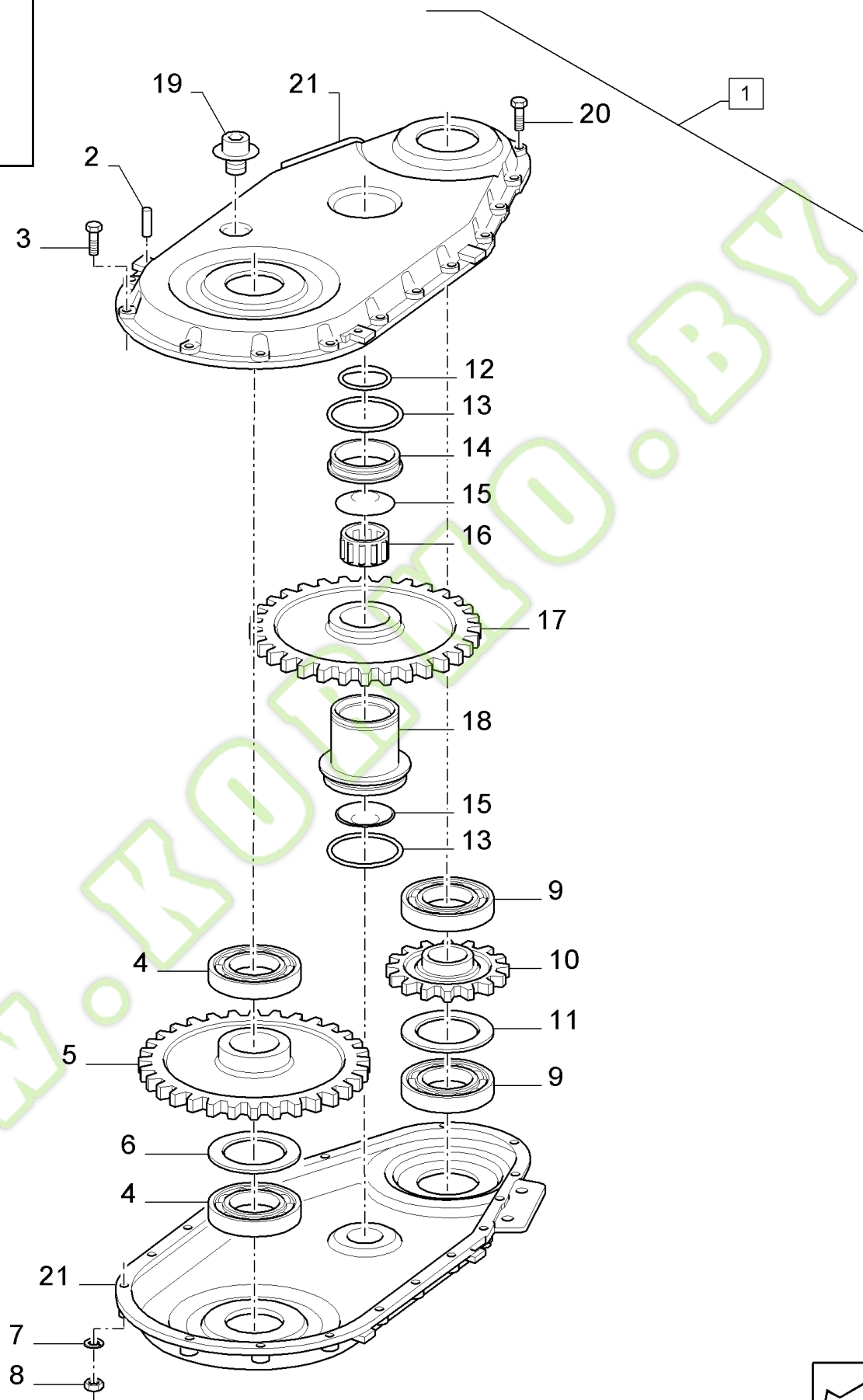
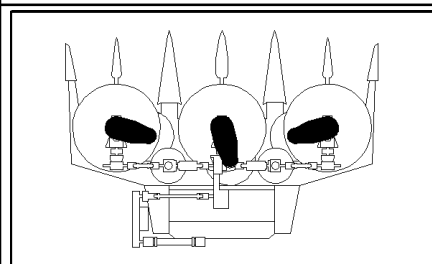
20.027(01) GEARBOX, ROTOR - RH AND CENTRE

Ref	Part Number	Qty	Description
1	84400661	2	GEARBOX, (2 to 60)
2	84400869	1	BEARING ASSY,
3	84400870	1	FLANGE,
4	84400871	1	SEAL,
5	9814102	1	BEARING ASSY, {PP:89814102}
6	84400872	15	SCREW, M10x40
7	140045	15	WASHER, LOCK, {PP:80140045} Belleville, M10, 10MM
8	100020	1	NUT, {PP:80100020} M16, CI 8, M16, CI 8
9	140048	1	WASHER, LOCK, {PP:80140048} Belleville, M16, 16MM
10	84400873	2	PIN, 10x24
11	84400874	1	HOUSING, BEARING,
12	84400875	1	SEAL,
13	84400876	1	BEARING ASSY,
14	84400877	1	O-RING,
15	84400878	1	BUSHING,
16	84400879	1	CIRCLIP,
17	84400880	1	SHAFT,
18	412669	2	BEARING ASSY, {PP:80412669}
19	300647	1	CIRCLIP, {PP:80300647}
20	84400881	1	GEAR, Z=17
21	84400815	1	CIRCLIP,
22	84400882	1	SEAL,
23	84400883	1	GEAR, Z=34
24	84400884	2	SHIM, THK.:0.1MM
24	84400885	1	SHIM, THK.:0.3MM
25	370010	1	CIRCLIP, {PP:80370010}
26	84400886	1	GEAR, Z=53
27	37198	1	BEARING, BALL, {PP:80037198}
28	84400887	AR	SHIM, THK.:0.1MM
28	84400888	AR	SHIM, THK.:0.3MM
29	370007	1	CIRCLIP, {PP:80370007}
30	84400889	1	HUB,
31	84400890	4	KEY,
32	84400891	4	SPRING-DISC,
33	84400892	1	GEAR, Z=34
34	84400893	2	WASHER,
35	84400894	1	GEAR, Z=11
36	84400895	1	BUSHING,
37	84400896	1	GEAR, Z=34
38	210053	2	BEARING ASSY, {PP:80210053}
39	84400897	AR	SHIM, THK.:0.1MM
39	84400898	AR	SHIM, THK.:0.2MM
39	84400899	AR	SHIM, THK.:0.5MM
40	84400900	1	HOUSING,
41	89508993	1	PLUG,

20.027(01) GEARBOX, ROTOR - RH AND CENTRE

Ref	Part Number	Qty	Description
42	84400901	1	COVER,
43	80300633	1	RING, SNAP,
44	84400902	2	SHIM, THK.:1MM
45	140124	1	PLATE, ADJUSTING, {PP:80140124} THK.:0.5MM
46	84400903	1	SHAFT,
47	161715	2	BEARING ASSY, {PP:80161715}
48	84400653	AR	SHIM, THK.:0.1MM
48	84400654	AR	SHIM, THK.:0.3MM
48	84400655	AR	SHIM, THK.:0.5MM
49	84400904	1	HOUSING, BEARING,
50	120110	4	SCREW, {PP:80120110} Hex, M10 x 25, 8.8, Full Thd, M10x25
51	80749438	AR	PLATE, ADJUSTING,
52	84400558	AR	SHIM, THK.:0.1MM
52	84400559	AR	SHIM, THK.:0.3MM
52	80749437	AR	PLATE, ADJUSTING, THK.:0.5MM
53	370004	1	CIRCLIP, {PP:80370004}
54	84400905	1	SEAL,
55	84400906	2	KEY,
56	300919	1	NIPPLE, LUBE, {PP:80300919}
57	84400844	1	SEAL,
58	84400907	1	PLUG,
59	84400908	1	STUD,
60	84400868	1	SHAFT,

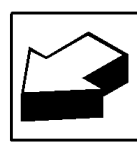
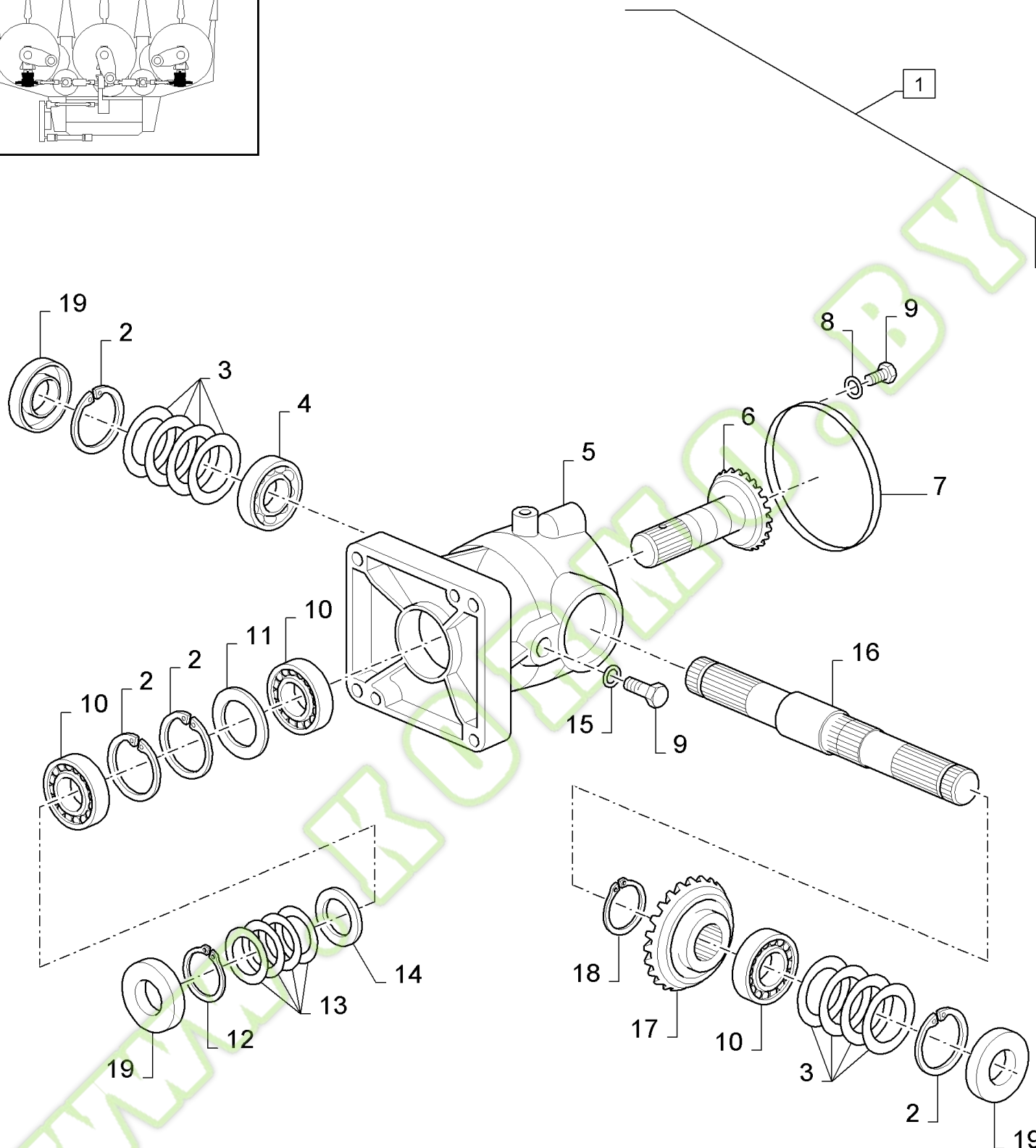
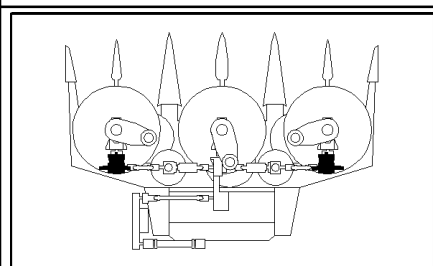
20.028(01) GEARBOX, SCRAPER



20.028(01) GEARBOX, SCRAPER

Ref	Part Number	Qty	Description
1	84400508	1	GEARBOX, (2 to 21)
2	82847807	3	PIN,
3	300381	15	SCREW, {PP:80300381} Hex, M8 x 35, 8.8, M8x35
4	84400851	2	BEARING ASSY,
5	84400852	1	GEAR, Z=32
6	84400853	1	SEAL,
7	322358	38	WASHER, LOCK, {PP:80322358} Belleville, M8, 8.4MM
8	100015	19	NUT, {PP:80100015} M8, CI 8, M8
9	84400854	2	BEARING ASSY,
10	84400855	1	GEAR, Z=16
11	84400856	1	SEAL,
12	84400857	1	O-RING,
13	84400858	2	O-RING,
14	84400859	2	BUSHING,
15	84400860	2	CAP, WASHER,
16	84400861	1	NEEDLE ROLLER,
17	84400862	1	GEAR, Z=32
18	84400863	1	BUSHING,
19	84400864	1	PLUG,
20	120106	4	SCREW, {PP:80120106} Hex, M8 x 40, 8.8, Full Thd, Hex, M8 x 40, 8.8, Full Thd
21	84400850	2	HOUSING,

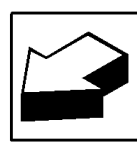
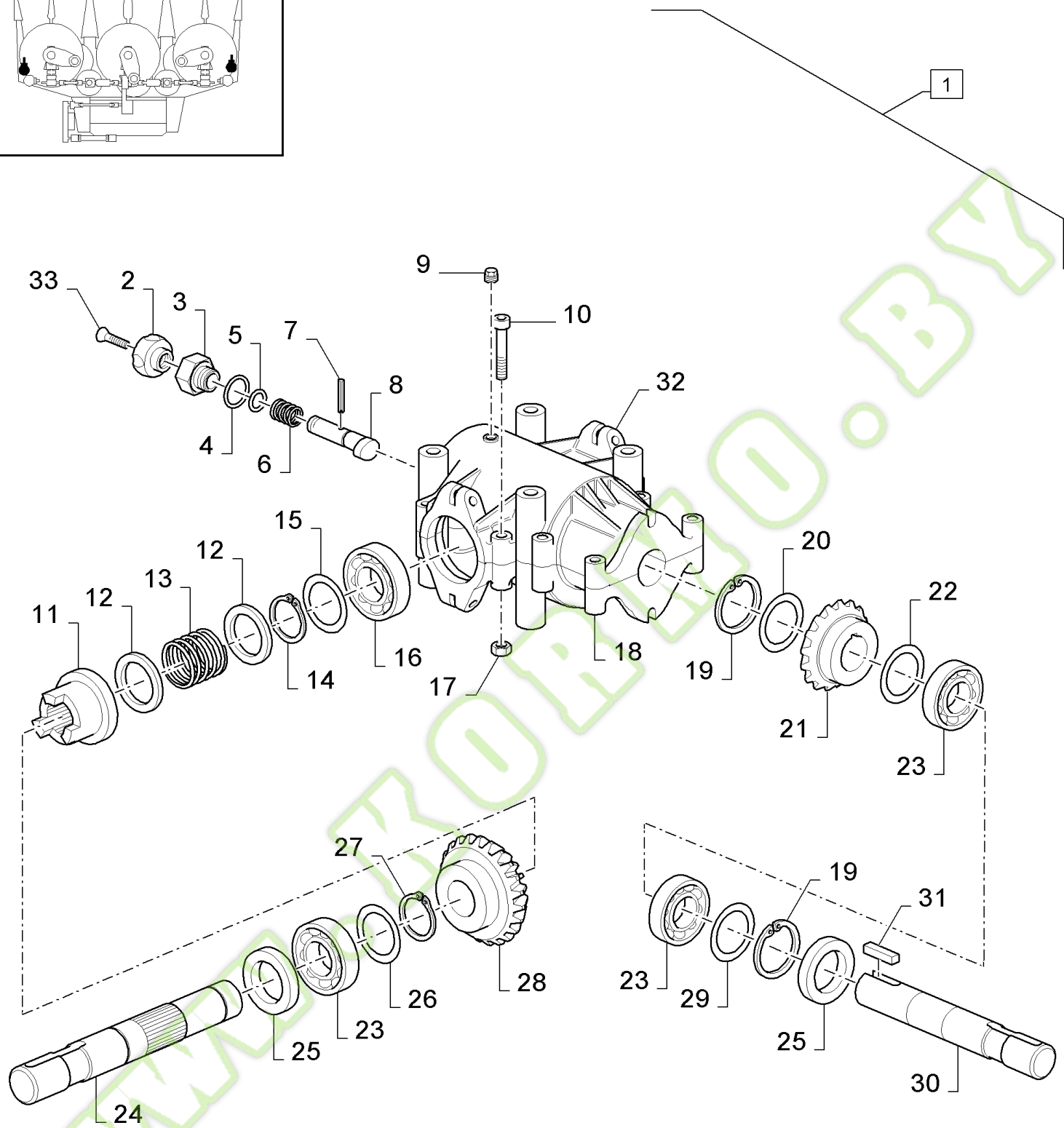
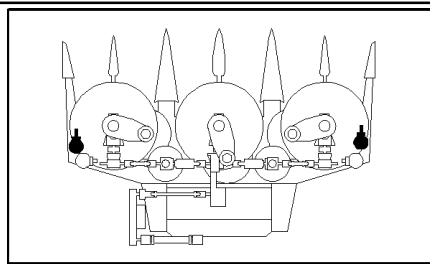
20.029(01) GEARBOX



20.029(01) GEARBOX

Ref	Part Number	Qty	Description
1	84400752	1	GEARBOX, (2 to 19)
2	370018	4	RING, SNAP, {PP:80370018}
3	84400653	AR	SHIM, THK.:0.1MM
3	84400654	AR	SHIM, THK.:0.3MM
3	84400655	AR	SHIM, THK.:0.5MM
4	80037203	1	BEARING ASSY,
5	84400520	1	HOUSING,
6	84400556	1	SHAFT, Z=15
7	84400557	1	COVER,
8	84400844	1	SEAL,
9	84400845	3	PLUG,
10	161715	3	BEARING ASSY, {PP:80161715}
11	84400499	3	SHIM, THK.:2MM
12	370004	1	CIRCLIP, {PP:80370004}
13	84400558	AR	SHIM, THK.:0.1MM
13	84400559	AR	SHIM, THK.:0.3MM
13	80749437	AR	PLATE, ADJUSTING, THK.:0.5MM
14	80749438	AR	PLATE, ADJUSTING, THK.:1MM
15	84400846	2	SEAL,
16	84400847	1	SHAFT,
17	84400848	1	GEAR, Z=23
18	84400849	1	CIRCLIP,
19	84400505	3	SEAL,

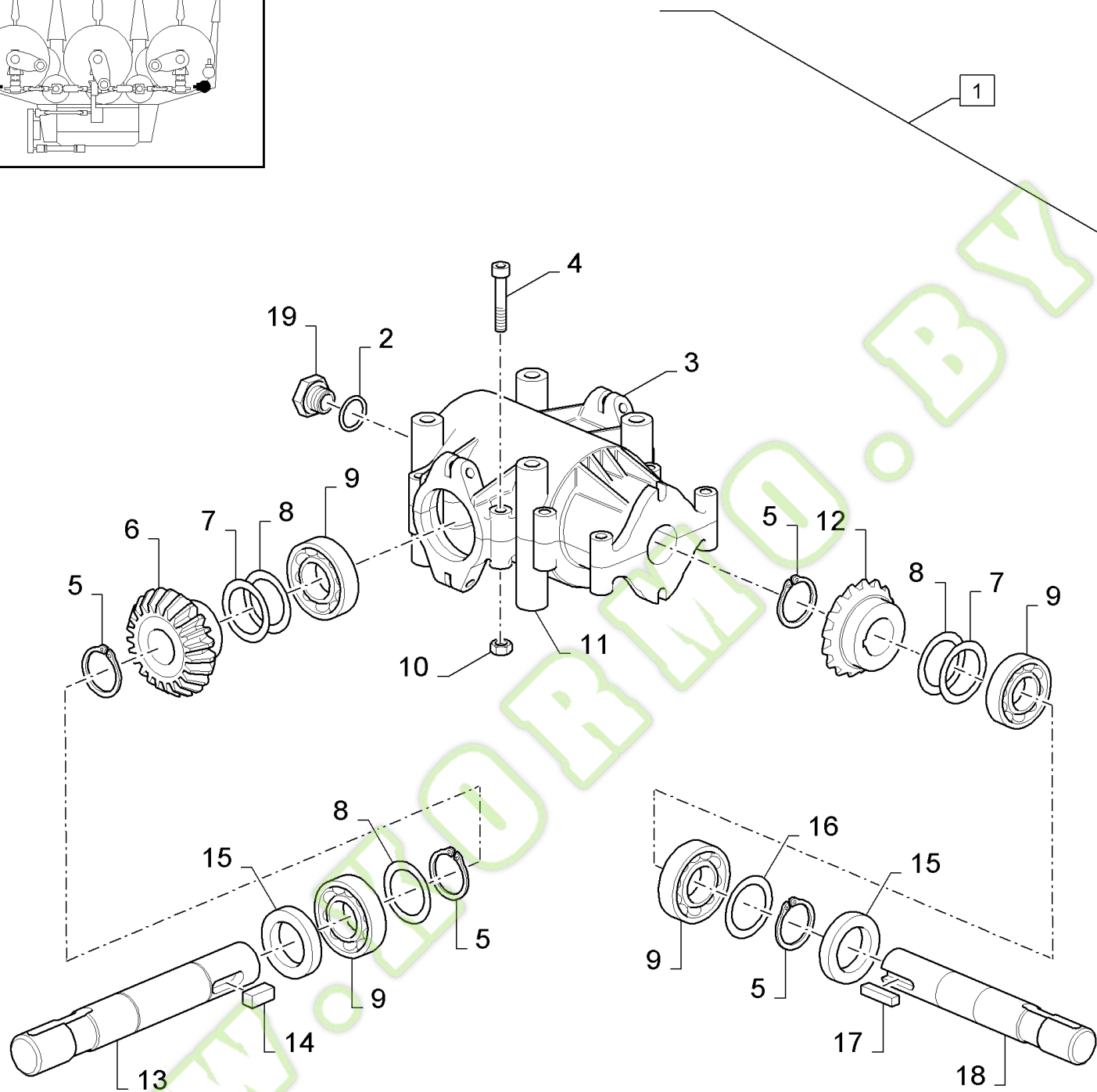
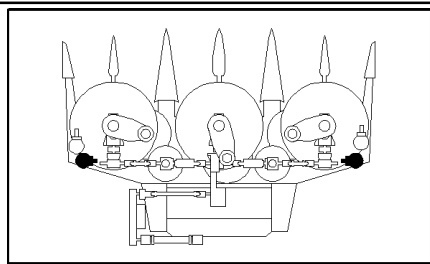
20.030(01) GEARBOX, ROTARY DIVIDER, MAIZE AUGER



20.030(01) GEARBOX, ROTARY DIVIDER, MAIZE AUGER

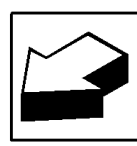
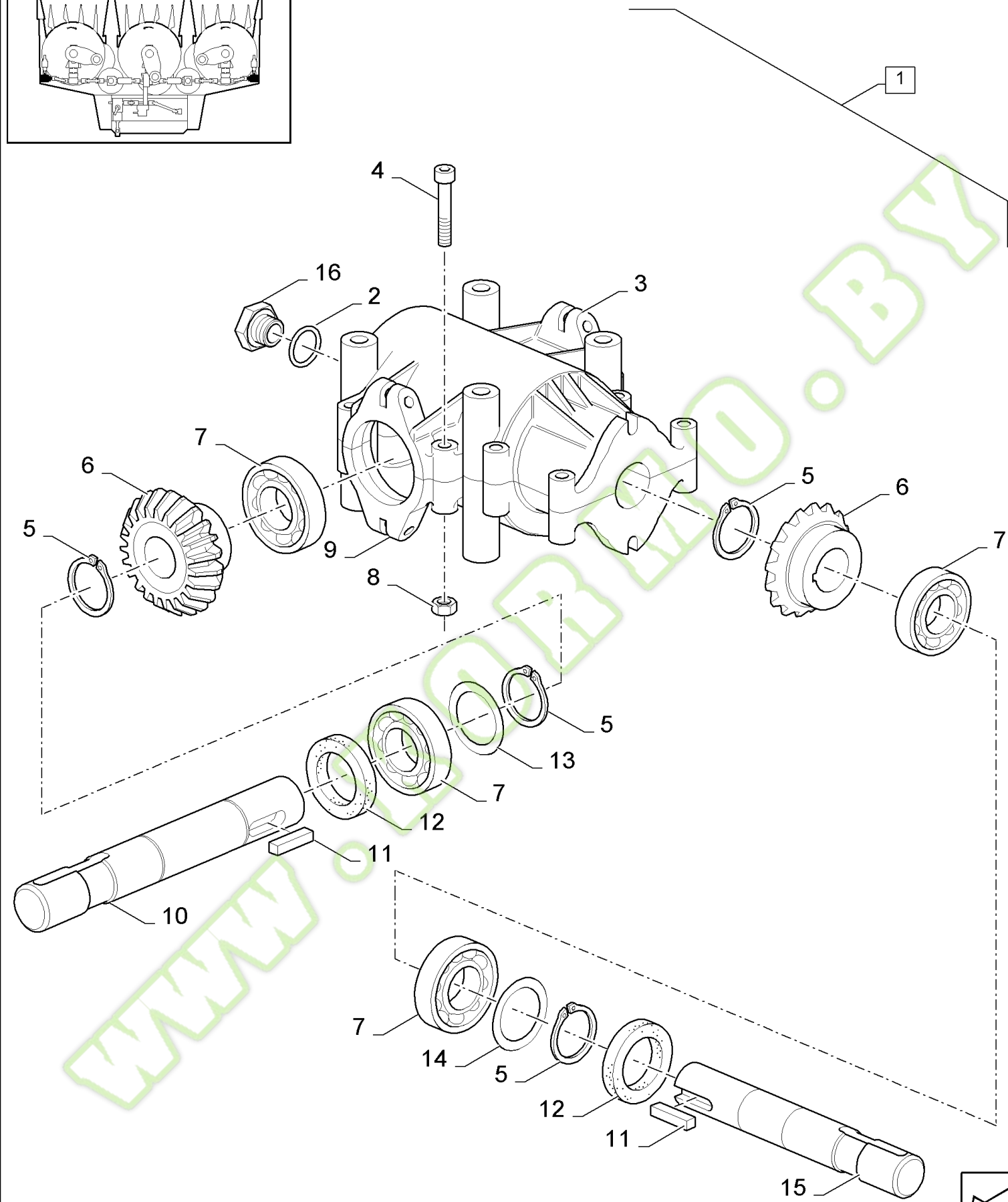
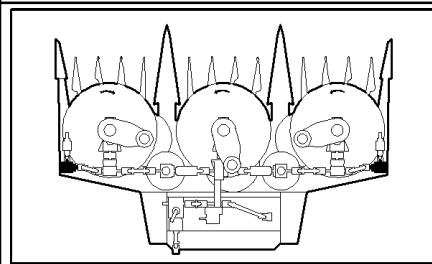
Ref	Part Number	Qty	Description
1	84400751	1	GEARBOX, (2 to 33)
2	84400828	1	KNOB,
3	84400829	1	PLUG,
4	84038518	1	O-RING,
5	84400830	1	O-RING,
6	84400831	1	SPRING,
7	80440435	1	PIN, SPLIT (COTTER), 5x24
8	84400832	1	PIN,
9	84400833	1	PLUG,
10	84089723	8	SCREW, M8x45
11	84400834	1	BUSHING,
12	84400835	1	SHIM, THK.:2.5MM
13	84400836	1	SPRING,
14	84400837	1	CIRCLIP,
15	84400838	1	SHIM, THK.:0.3MM
16	573944	1	BEARING ASSY, {PP:80573944}
17	100015	8	NUT, {PP:80100015} M8, CI 8, M8
18	84400839	1	HOUSING,
19	80370002	2	CIRCLIP,
20	84400818	1	SHIM, THK.:1MM
21	84400820	1	GEAR, Z=17
22	84400817	1	SHIM, THK.:0.8MM
23	210041	3	BEARING ASSY, {PP:80210041}
24	84400840	1	SHAFT,
25	84400823	2	SEAL,
26	84400841	1	SHIM, THK.:0.9MM
27	84400842	1	CIRCLIP,
28	84400843	1	GEAR, Z=23
29	84400824	1	SHIM, THK.:0.7MM
30	84400825	1	SHAFT,
31	89508977	1	KEY,
32	84400814	1	HOUSING,
33	84400827	1	SCREW,

20.031(01) GEARBOX, ROTARY DIVIDER, MAIZE AUGER



20.031(01) GEARBOX, ROTARY DIVIDER, MAIZE AUGER

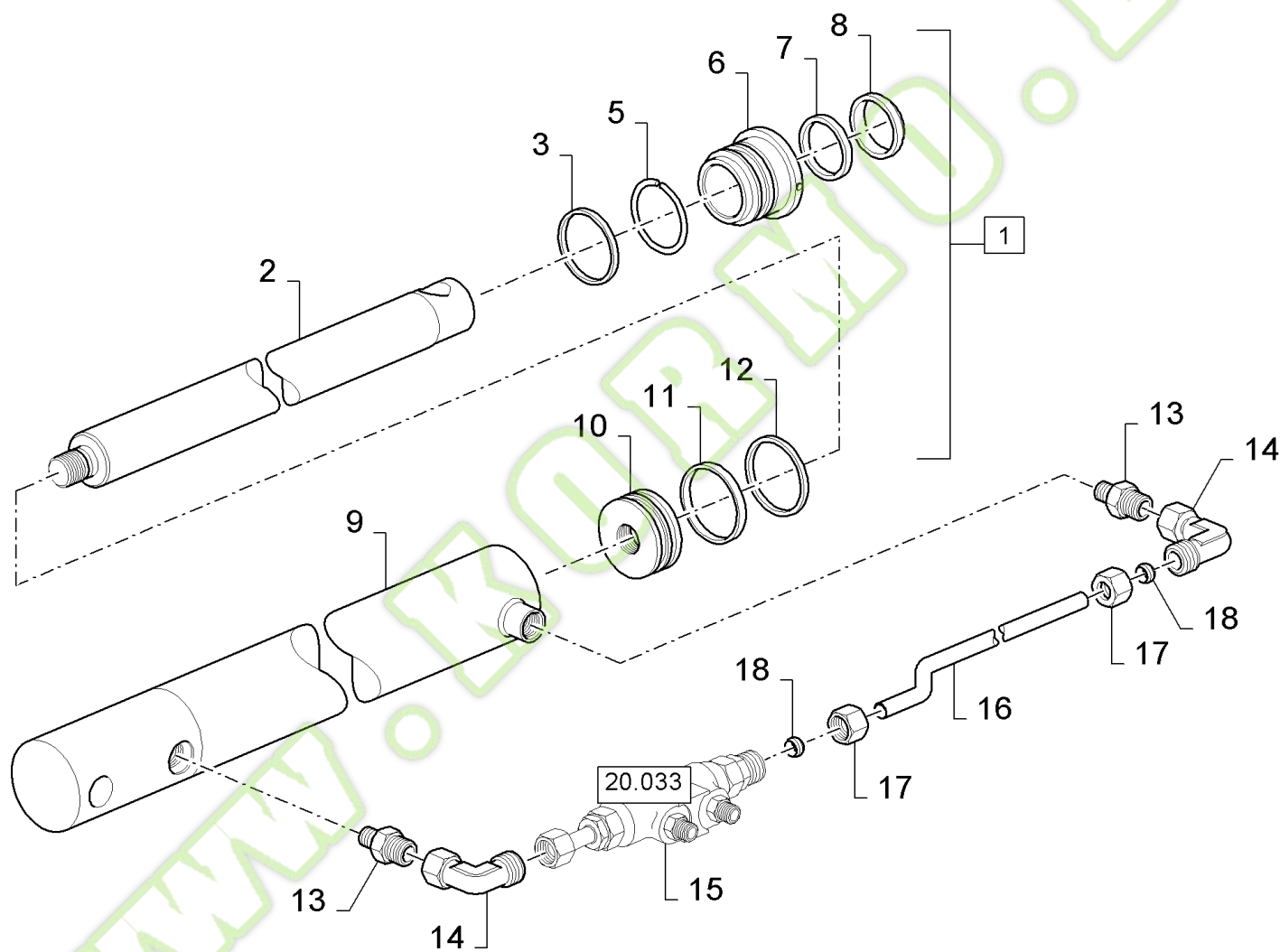
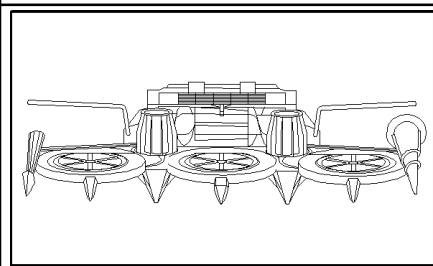
Ref	Part Number	Qty	Description
1	84400753	1	GEARBOX, (2 to 19)
2	84038518	1	O-RING,
3	84400814	1	HOUSING,
4	84089723	8	SCREW, M8x45
5	84400815	4	CIRCLIP,
6	84400816	1	GEAR, Z=23
7	84400817	1	SHIM, THK.:0.8MM
8	84400818	1	SHIM, THK.:1MM
9	210041	4	BEARING ASSY, {PP:80210041}
10	100015	8	NUT, {PP:80100015} M8, CI 8, M8
11	84400819	1	HOUSING,
12	84400820	1	GEAR, Z=17
13	84400821	1	SHAFT,
14	84400822	1	KEY,
15	84400823	2	SEAL,
16	84400824	1	SHIM, THK.:0.7MM
17	89508977	1	KEY,
18	84400825	1	SHAFT,
19	84400813	1	PLUG,



20.031A(01) GEARBOX, ROTARY DIVIDER, MAIZE AUGER

Ref	Part Number	Qty	Description
1	84806393	1	GEARBOX, (2 to 16)
2	84038518	1	O-RING,
3	84400814	1	HOUSING,
4	440427	8	SCREW, {PP:80440427} Hex Soc Hd, M8 x 45, 12.9, M8x45
5	84400815	4	CIRCLIP,
6	84806413	2	GEAR, Z=16
7	210041	4	BEARING ASSY, {PP:80210041}
8	100015	8	NUT, {PP:80100015} M8, CI 8, M8
9	84400819	1	HOUSING,
10	84400821	1	SHAFT,
11	84400822	2	KEY,
12	84400823	2	SEAL,
13	84400818	1	SHIM, THK.:1.0MM
14	84400824	1	SHIM, THK.:0.7MM
15	84806414	1	SHAFT,
16	84400813	1	PLUG,

20.032(01) HYDRAULIC CYLINDER

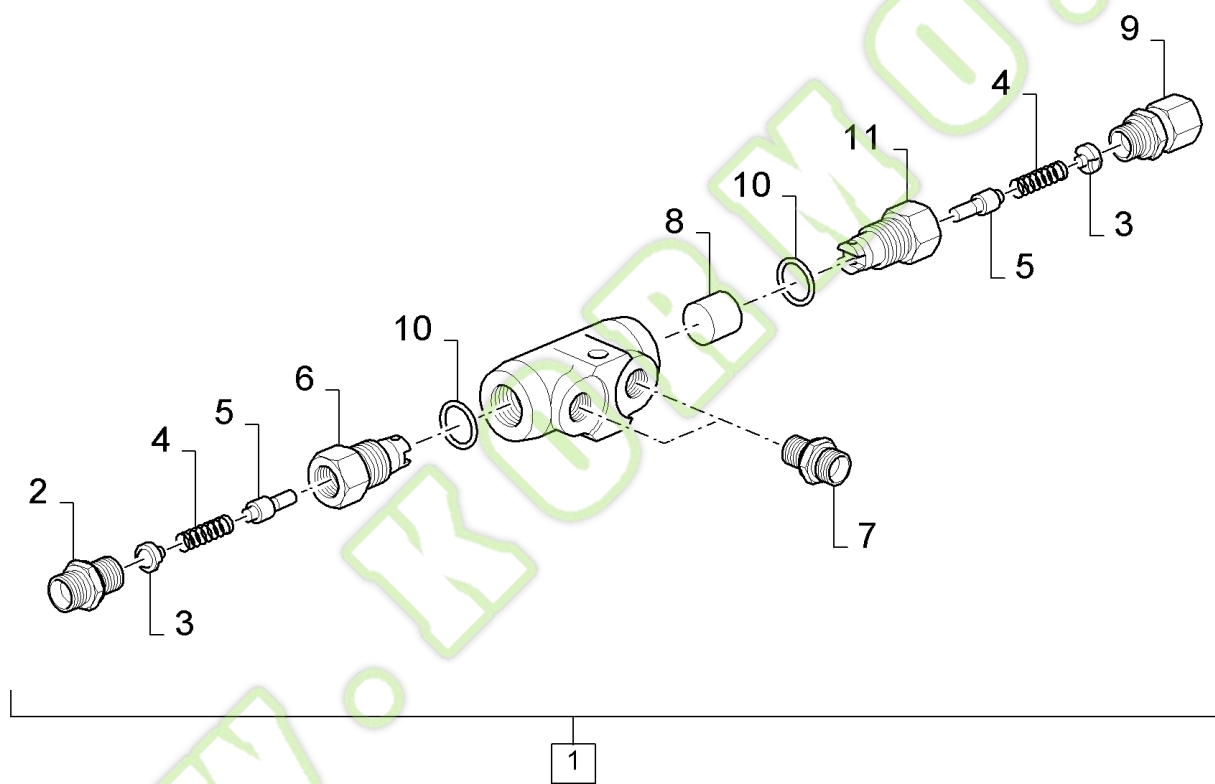
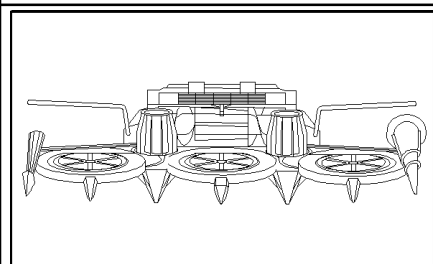


20.032(01) HYDRAULIC CYLINDER

Ref	Part Number	Qty	Description
1	84400762	1	HYDRAULIC CYLINDER, (2 to 12)
2	84400626	1	ROD,
3	84400534	1	SEAL,
5	84038515	1	RING,
6	84400763	1	CYLINDER HEAD,
7	84400642	1	RING,
8	84400487	1	RING, MUDSCRAPER,
9	84400764	1	BODY,
10	84400623	1	PISTON,
11	84041271	1	RING,
12	84041270	1	RING,
13	84400547	2	CONNECTOR, HYD.,
14	84100441	2	CONNECTOR, HYD.,
15	84806426	1	VALVE, HYDRAULIC,
16	84819927	1	TUBE, HYD, Pipe line
17	84100442	2	NUT, TUBE,
18	84100444	2	FERRULE,

WWW.KORMO.BY

20.033(01) LOCK UP VALVE UNIT

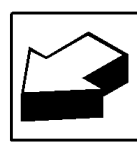
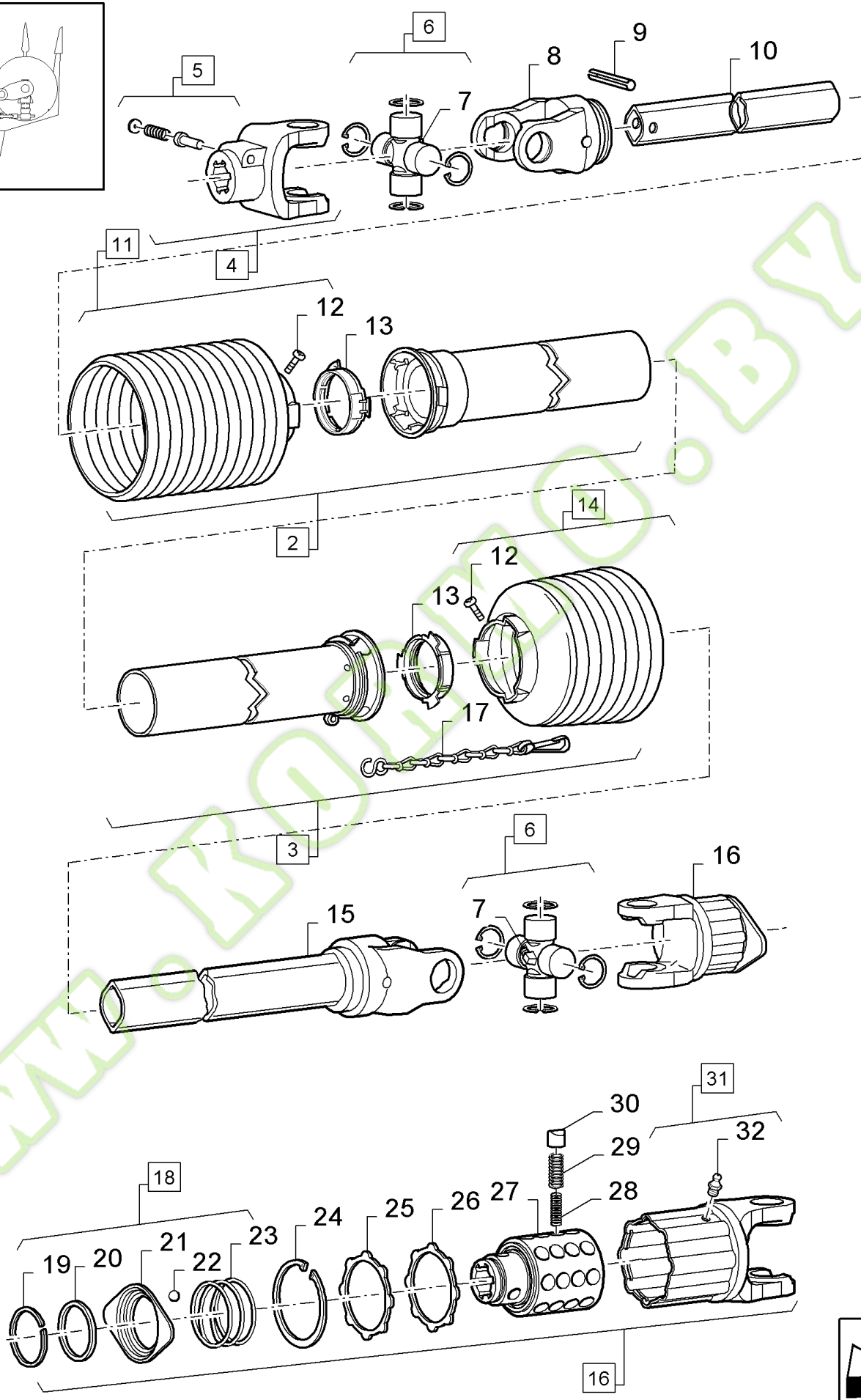
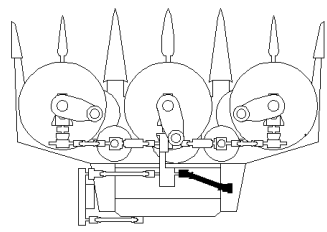


20.033(01) LOCK UP VALVE UNIT

Ref	Part Number	Qty	Description
1	84806426	1	VALVE, HYDRAULIC, (2 to 9)
2	84100440	1	CONNECTOR, HYD.,
3	84038741	2	GUIDE, SLIDE,
4	84038742	2	SPRING,
5	84038743	2	PIN,
6	84038744	2	CONNECTOR, HYD.,
7	84038433	2	CONNECTOR, HYD.,
8	84038745	1	BEARING, CAMSHAFT,
9	80749461	1	BOLT,

WWW.KORMO.BY

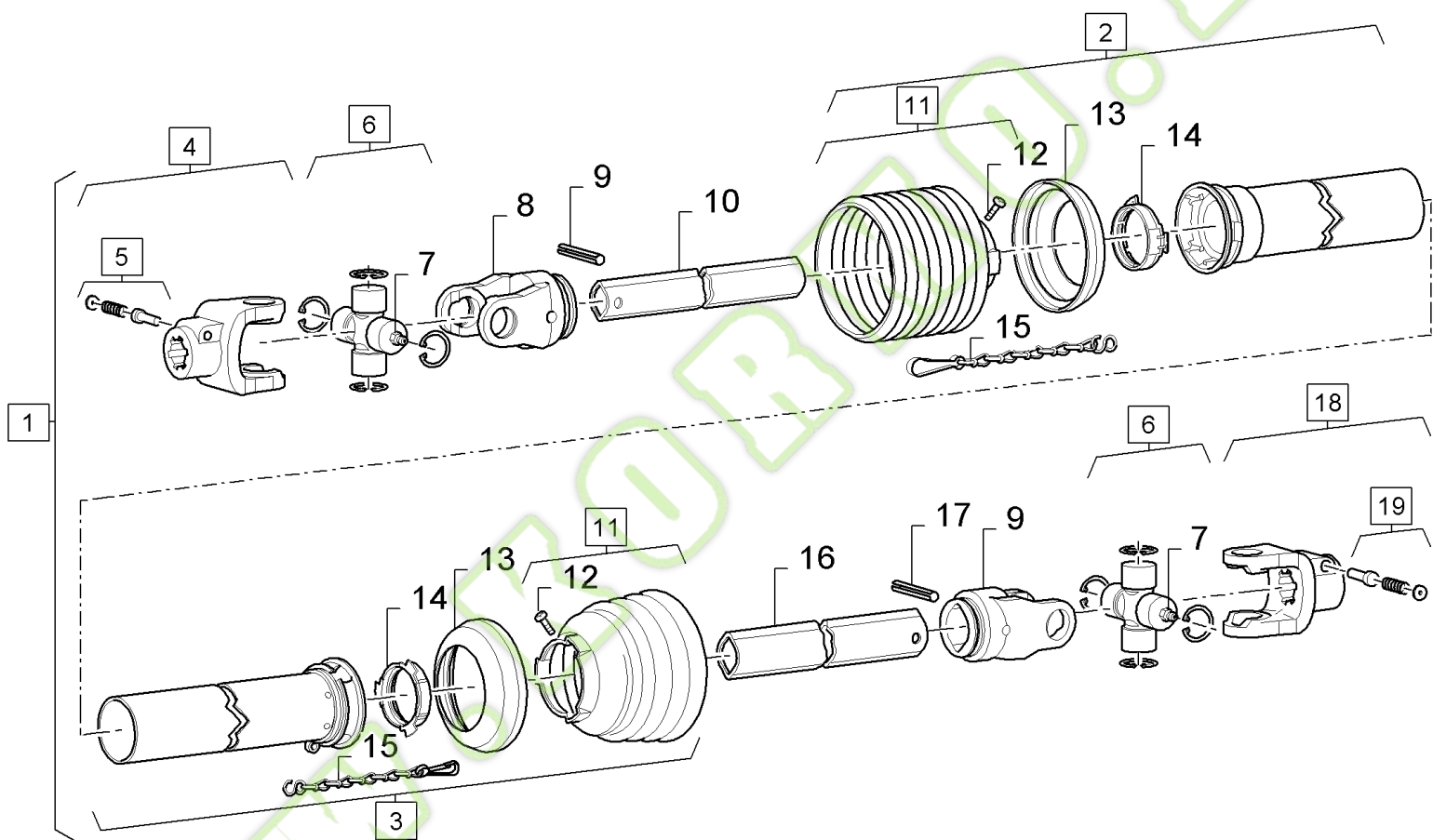
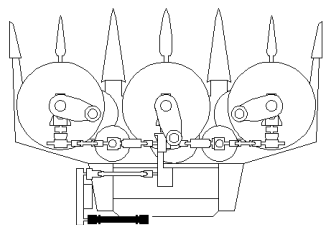
20.034(01) CLUTCH



20.034(01) CLUTCH

Ref	Part Number	Qty	Description
1	84819842	1	PROPELLER SHAFT, (2 to 32)
2	84790284	1	GUARD, (11 to 13)
3	84790285	1	GUARD, (12 to 14, 17)
4	84790020	1	FORK, (5)
5	744051	1	KIT, {PP:80744051}
6	84607620	2	SPIDER, (7)
7	80043427	2	NIPPLE, LUBE,
8	84790287	1	FORK,
9	80130053	2	PIN, SPLIT (COTTER),
10	84790290	1	TUBE,
11	84790286	1	CONE,
12	321803	2	BOLT, {PP:80321803} Cross Pan Hd, M4 x 10,
13	80749381	2	RING,
14	84790288	1	CONE, (12)
15	84790289	1	FORK,
16	84790292	1	PAWL, (18 to 32)
17	379650	1	CHAIN, {PP:80379650}
18	84790042	1	ARRESTER, (19 to 23)
19	84790294	1	CIRCLIP,
20	84790296	1	RING, SCRAPER,
21	84790297	1	FLANGE,
22	84790295	3	BALL,
23	84790298	1	SPRING,
24	84819983	1	CIRCLIP,
25	80749378	1	WASHER, THRUST,
26	80749380	1	GASKET,
27	84790293	1	HUB,
28	80749409	32	SPRING,
29	80749408	32	SPRING,
30	84819985	32	CAM,
31	84790291	1	FORK, (32)
32	300919	1	NIPPLE, LUBE, {PP:80300919}

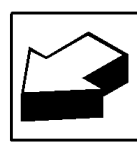
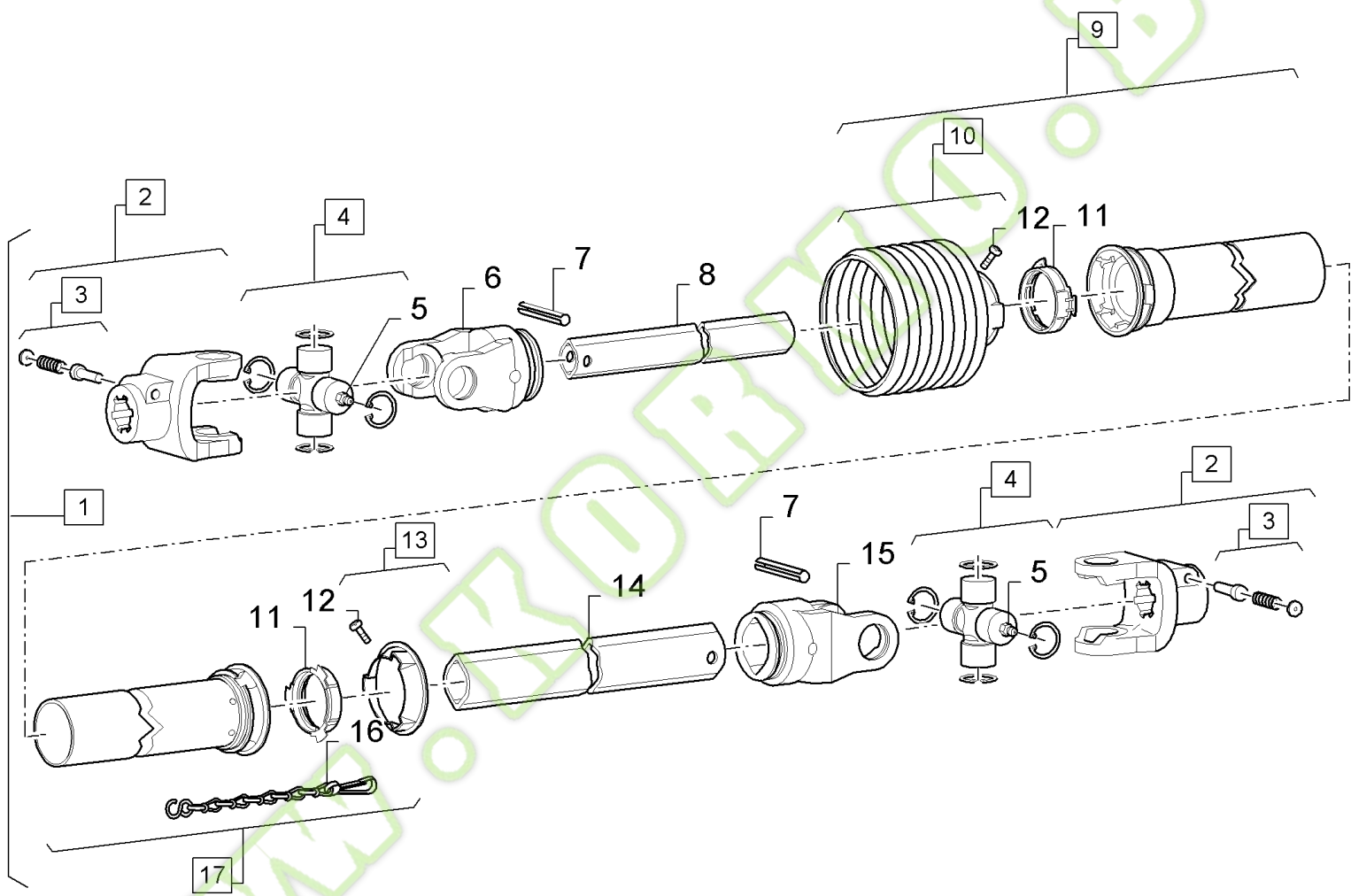
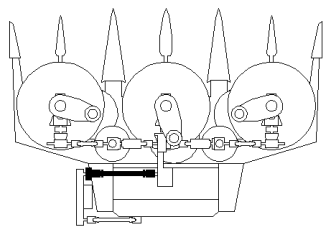
20.035(01) POWER TAKE-OFF



20.035(01) POWER TAKE-OFF

Ref	Part Number	Qty	Description
1	84819854	1	PROPELLER SHAFT, (2 to 19)
2	84819930	1	GUARD, (11 to 15)
3	84819931	1	GUARD, (11 to 15)
4	84819932	1	FORK, (5)
5	84819933	1	LATCH,
6	84607620	2	SPIDER, (7)
7	80043427	2	NIPPLE, LUBE,
8	84819934	1	FORK,
9	84819935	2	PIN, SPLIT (COTTER),
10	84819936	1	TUBE,
11	84819937	2	CONE, (12)
12	321803	2	BOLT, {PP:80321803} Cross Pan Hd, M4 x 10,
13	84819938	2	GUARD,
14	84819939	2	RING,
15	379650	2	CHAIN, {PP:80379650}
16	84819940	1	TUBE,
17	84819941	1	FORK,
18	84819942	1	FORK, (19)
19	744051	1	KIT, {PP:80744051}

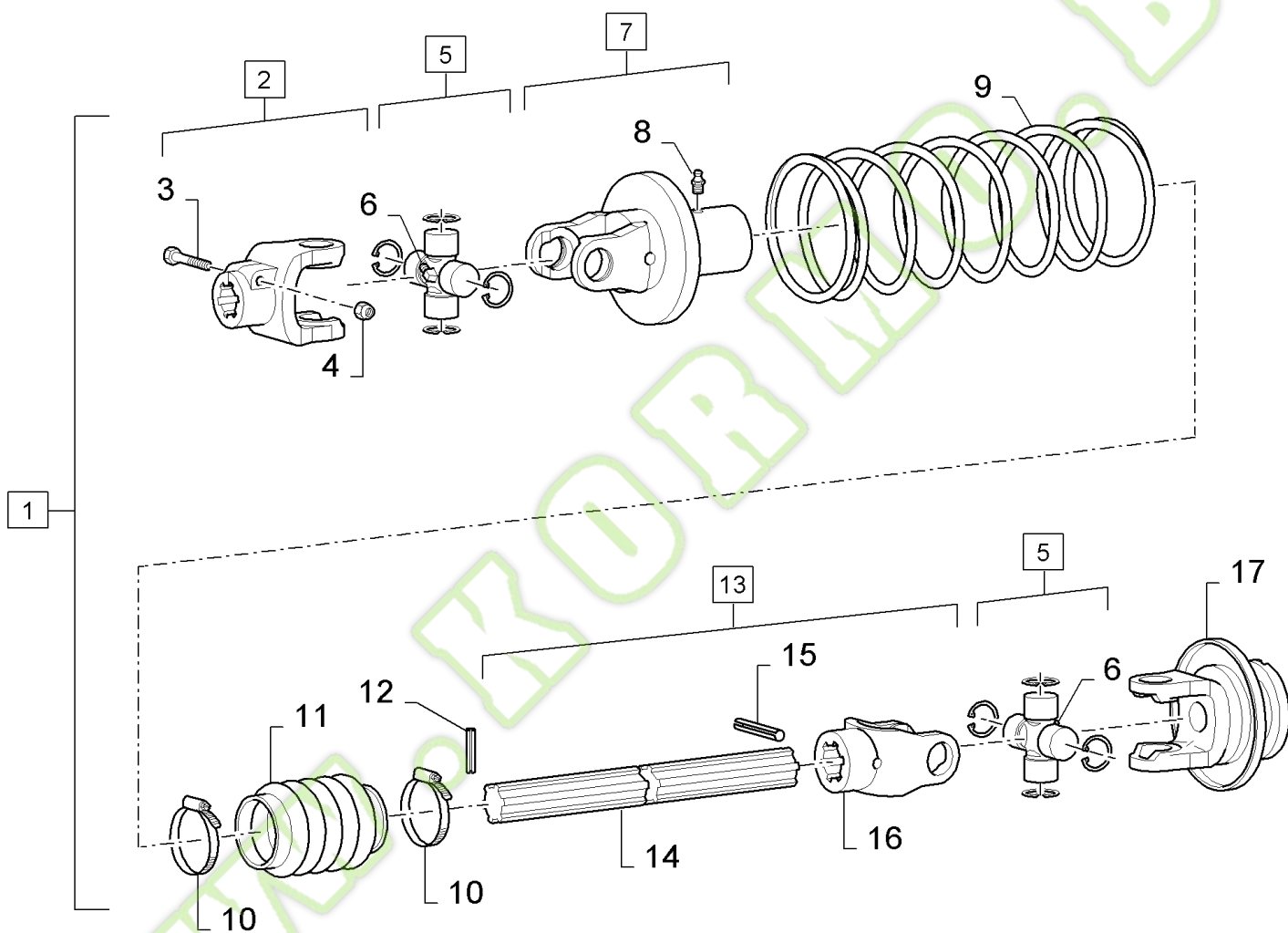
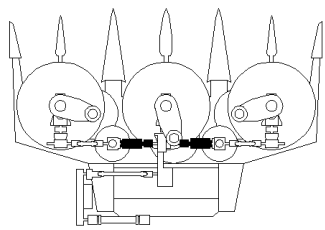
20.036(01) POWER TAKE-OFF



20.036(01) POWER TAKE-OFF

Ref	Part Number	Qty	Description
1	84800232	1	PROPELLER SHAFT, (2 to 17)
2	84819944	2	FORK, (3)
3	744051	2	KIT, {PP:80744051}
4	84819945	2	SPIDER, (5)
5	80043427	2	NIPPLE, LUBE,
6	84819946	1	FORK,
7	84819947	2	PLATE,
8	84819950	1	TUBE,
9	84819930	1	GUARD, (10 to 12)
10	84819951	1	CONE,
11	84819939	2	RING,
12	321803	2	BOLT, {PP:80321803} Cross Pan Hd, M4 x 10,
13	84819952	1	BACK-UP RING,
14	84819953	1	TUBE,
15	84819954	1	FORK,
16	84819955	1	GUARD,
17	379650	1	CHAIN, {PP:80379650} (11 to 13, 16)

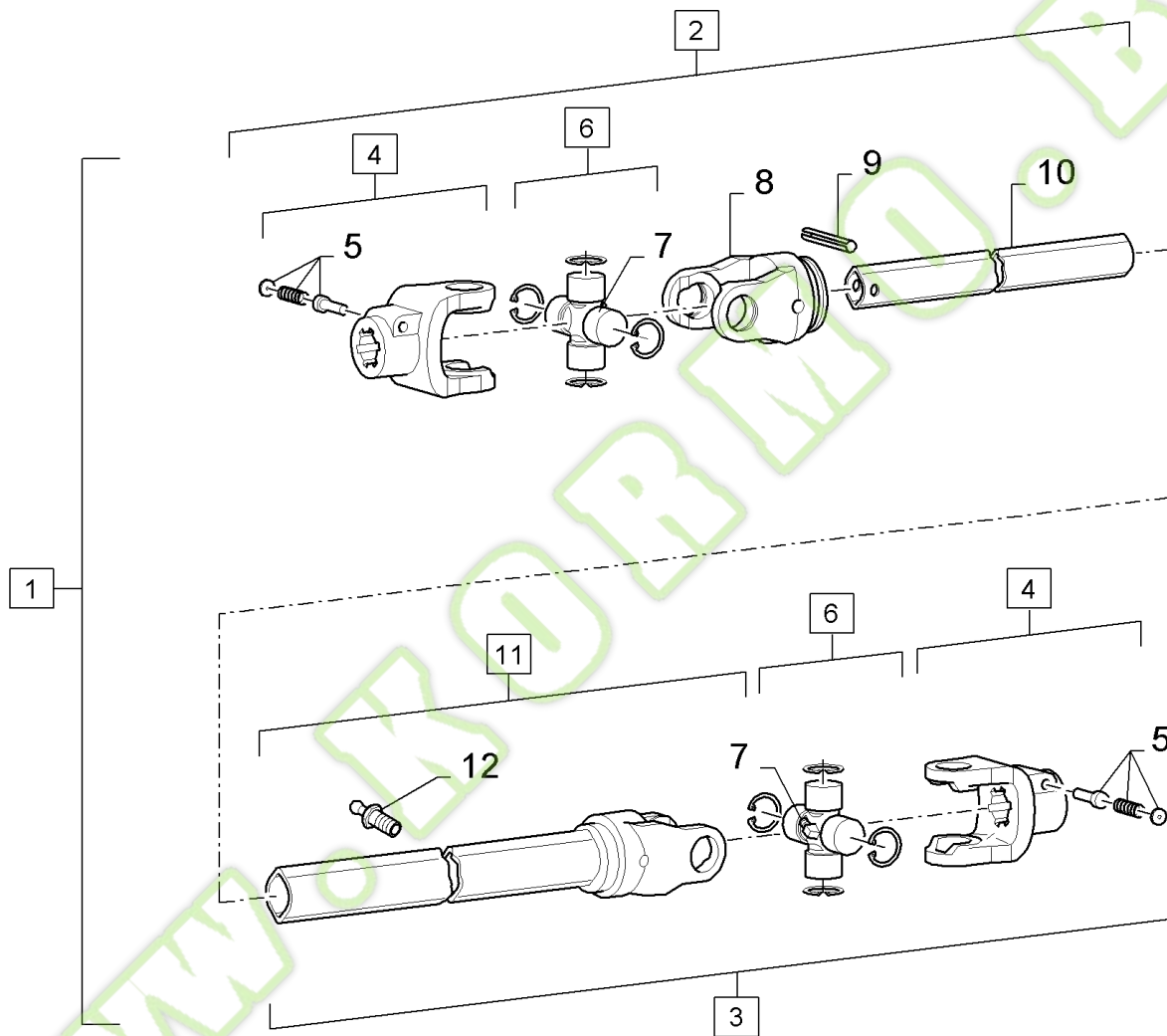
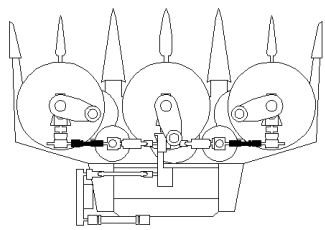
20.037(01) POWER TAKE-OFF



20.037(01) POWER TAKE-OFF

Ref	Part Number	Qty	Description
1	84400570	1	SHAFT, PTO, (2 to 17)
2	84429266	1	YOKE, (3,4)
3	350460	1	SCREW, {PP:80350460} Hex, M12 x 75, 8.8, M12x75
4	100038	1	NUT, LOCK, {PP:80100038} M12 x 1.75, Cl 8, M12
5	84429267	2	SPIDER, (6)
6	150024	2	NIPPLE, LUBE, {PP:80150024}
7	84607083	1	YOKE, (8)
8	300919	1	NIPPLE, LUBE, {PP:80300919}
9	84607084	1	SPRING,
10	425810	2	MAGNET, {PP:80425810}
11	84607085	1	BELLOWS,
12	300868	1	PIN, ROLL, {PP:80300868} M6 x 36, Slotted,
13	NSS	1	NOT SERVICED SEPARATELY, Yoke and shaft (14 to 16)
14	84607086	1	SHAFT,
15	14607570	1	PIN, ROLL, M8 x 55, Slotted,
16	9503313	1	RING, {PP:89503313}
17	84607082	1	YOKE,

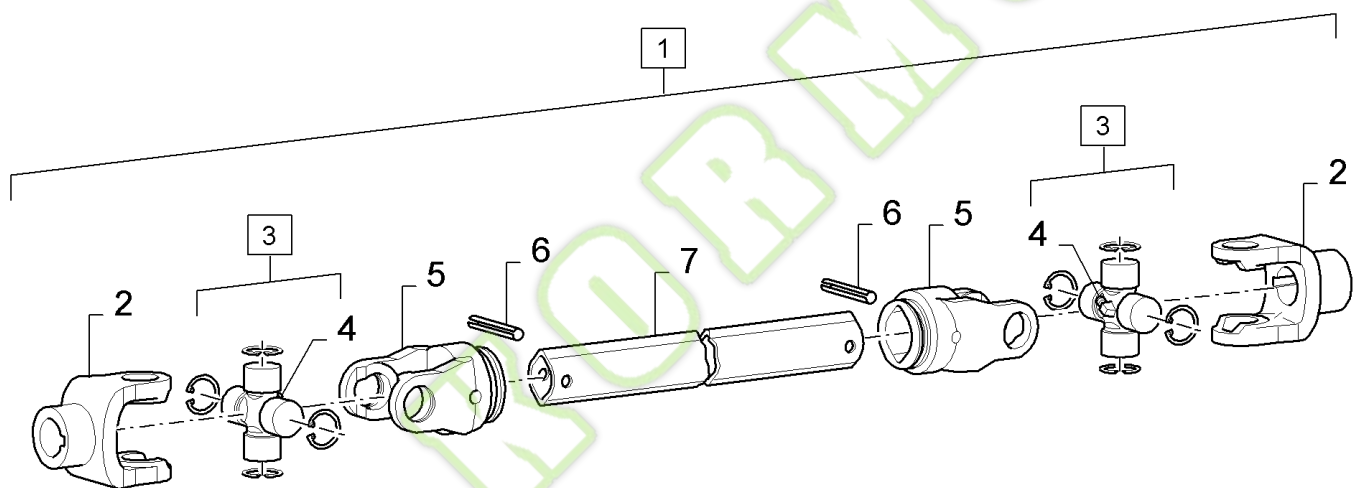
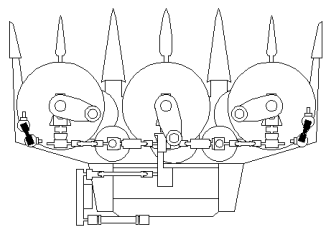
20.038(01) POWER TAKE-OFF



20.038(01) POWER TAKE-OFF

Ref	Part Number	Qty	Description
1	84400571	1	SHAFT, PTO, (2 to 12)
2	84607068	1	SHAFT, PTO,
3	84607069	1	SHAFT, PTO,
4	80420766	2	JAW, (5)
5	744051	2	KIT, {PP:80744051}
6	84607070	2	SPIDER, (7)
7	150024	2	NIPPLE, LUBE, {PP:80150024}
8	80437429	1	YOKE,
9	80211214	1	PIN,
10	84607071	1	TUBE,
11	84607072	1	YOKE, (12)
12	750220	1	NIPPLE, LUBE, {PP:80750220}

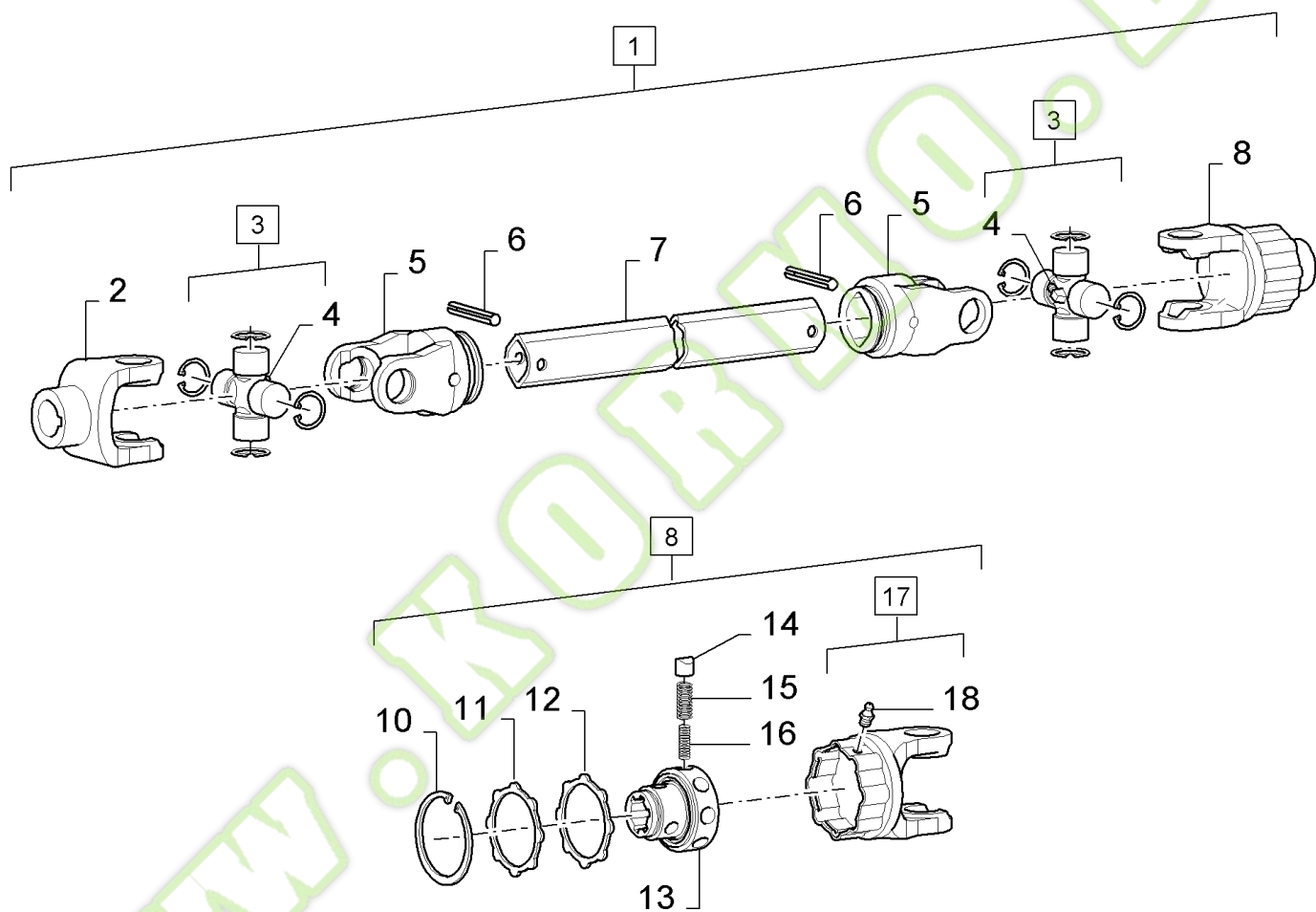
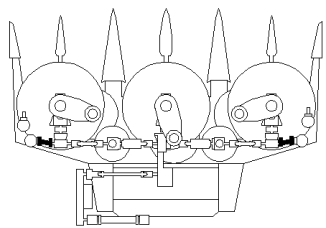
WWW.KORMO.BY



20.039(01) POWER TAKE-OFF, ROTARY DIVIDER, MAIZE AUGER

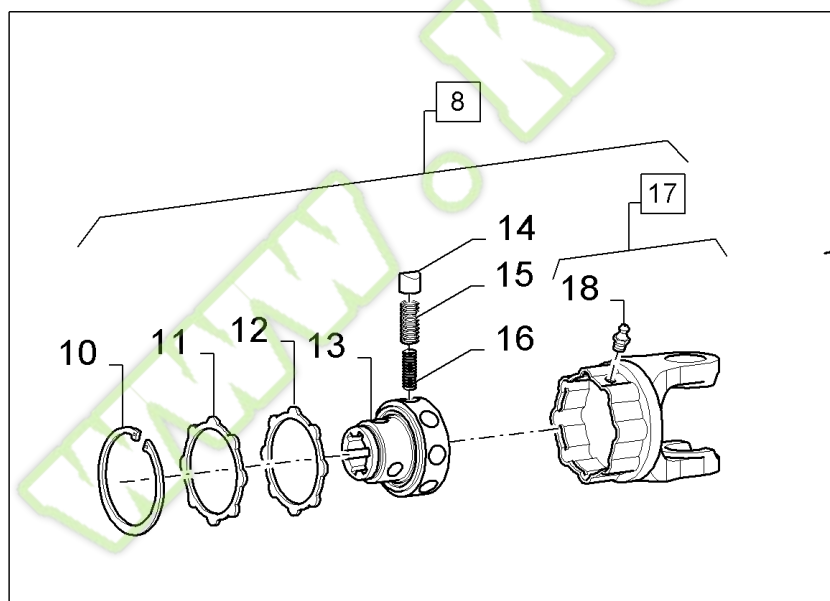
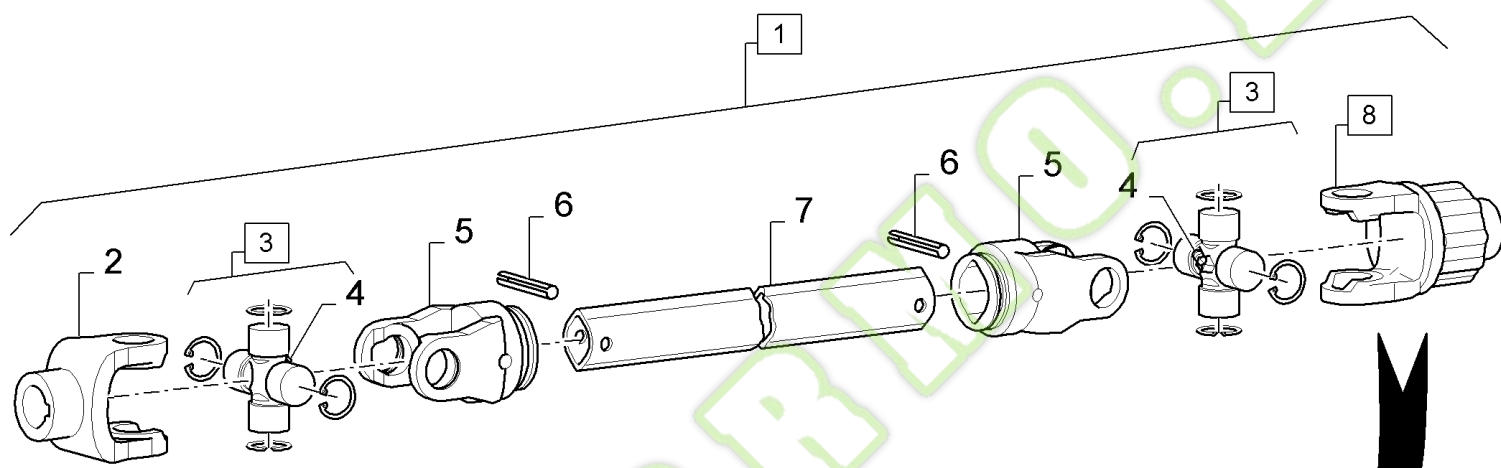
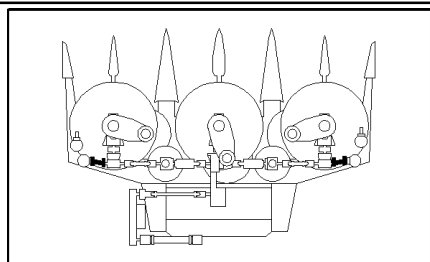
Ref	Part Number	Qty	Description
1	84400573	1	SHAFT, PTO, (2 to 7)
2	84607061	2	YOKE,
3	84607063	2	SPIDER, (4)
4	150024	2	NIPPLE, LUBE, {PP:80150024}
5	84607064	2	FORK,
6	412689	2	PIN, {PP:80412689} M8 x 50, Slotted,
7	84607073	1	TUBE,

WWW.KORMO.BY



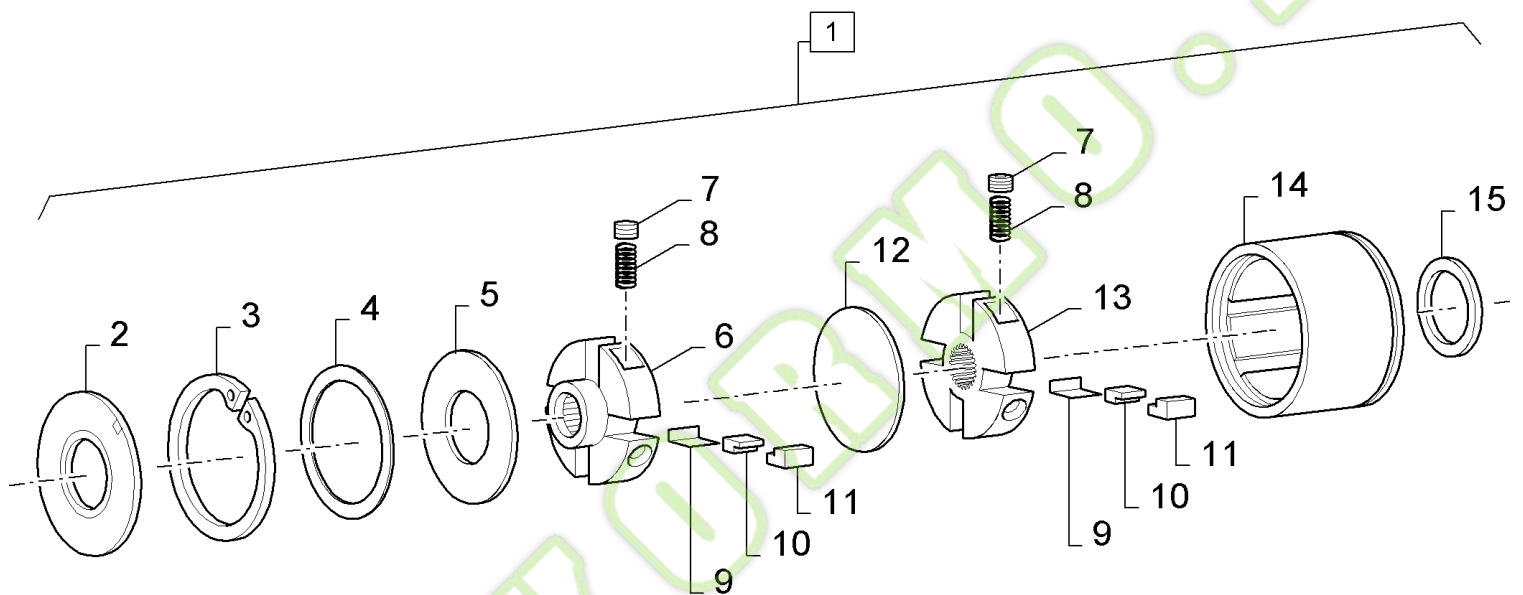
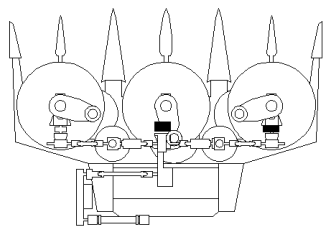
20.040(01) POWER TAKE-OFF, ROTARY DIVIDER, MAIZE AUGER

Ref	Part Number	Qty	Description
1	84400572	1	SHAFT, PTO, (2 to 8)
2	84607061	1	YOKE,
3	84607063	2	SPIDER, (4)
4	150024	2	NIPPLE, LUBE, {PP:80150024}
5	84607064	2	FORK,
6	412689	2	PIN, {PP:80412689} M8 x 50, Slotted,
7	84607065	1	TUBE,
8	84607062	1	CLUTCH, (9 to 18)
10	80300633	1	RING, SNAP,
11	411960	1	RING, {PP:80411960}
12	411959	1	RING, {PP:80411959}
13	84607066	1	HUB,
14	386509	8	CAM, {PP:80386509}
15	386510	8	SPRING, {PP:80386510}
16	386511	7	SPRING, {PP:80386511}
17	84607067	1	HOUSING, (18)
18	300919	1	NIPPLE, LUBE, {PP:80300919}



Ref	Part Number	Qty	Description
1	82847850	1	SHAFT, PROPELLOR, (2 to 8)
2	84819977	1	FORK,
3	84819978	2	SPIDER, (4)
4	150024	2	NIPPLE, LUBE, {PP:80150024}
5	84819979	2	FORK,
6	84607977	2	PIN,
7	82847776	1	TUBE,
8	84819982	1	PAWL, (10 to 18)
10	84819983	1	CIRCLIP,
11	80749378	1	WASHER, THRUST,
12	80749380	1	GASKET,
13	84819984	1	HUB,
14	84819985	8	CAM,
15	80749408	8	SPRING,
16	80749409	7	SPRING,
17	84819986	1	FORK, (18)
18	300919	1	NIPPLE, LUBE, {PP:80300919}

20.041(01) CLUTCH, CUT-OUT

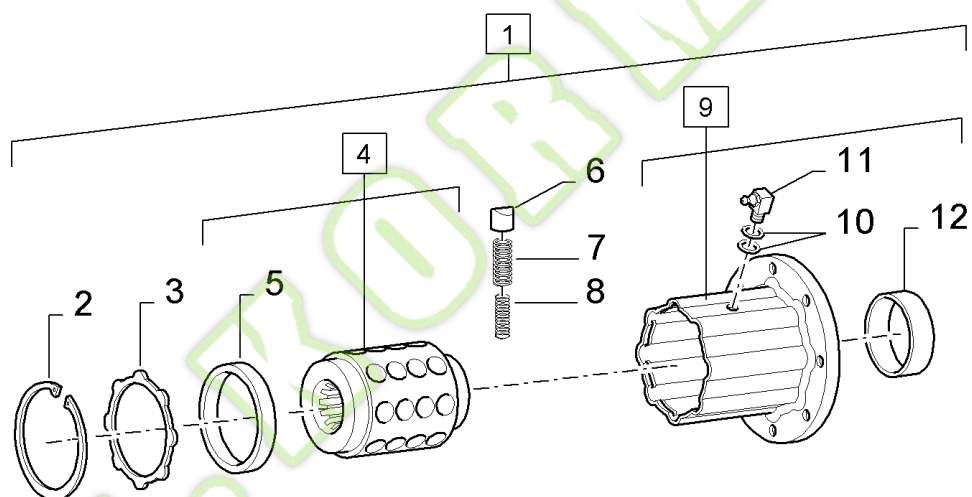
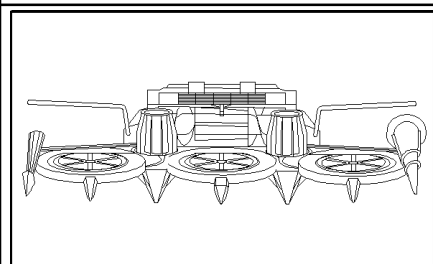


20.041(01) CLUTCH, CUT-OUT

Ref	Part Number	Qty	Description
1	82847947	1	CLUTCH, (2 to 15)
2	84819988	1	SEAL, OIL,
3	84819989	1	CIRCLIP,
4	84819990	1	KIT, SHIM,
5	84819991	1	GUARD,
6	84819992	1	HUB,
7	84819993	8	INSERT, THREADED,
8	84819996	8	SPRING,
9	84819997	8	BRACKET, SUPPORTING,
10	84819998	8	KEY,
11	84819999	8	KEY,
12	84790038	1	Plate, Backing,
13	84790039	1	HUB,
14	84790040	1	HOUSING,
15	84790041	1	SEAL, OIL,

WWW.KORMO.BY

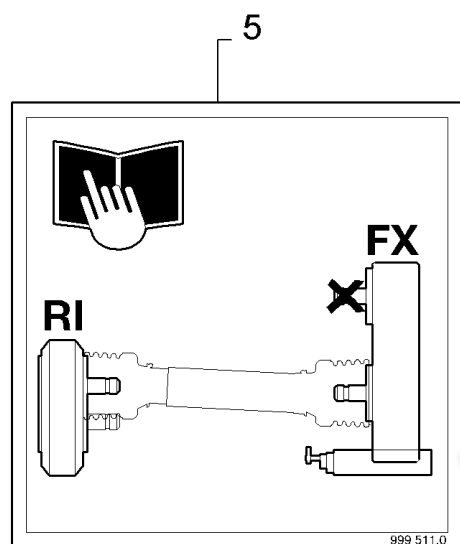
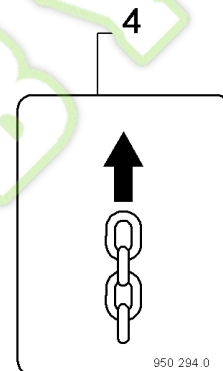
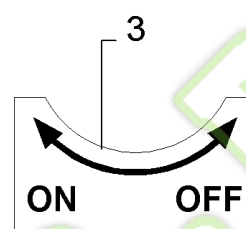
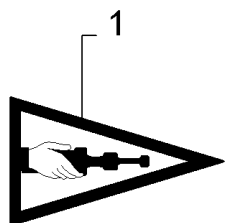
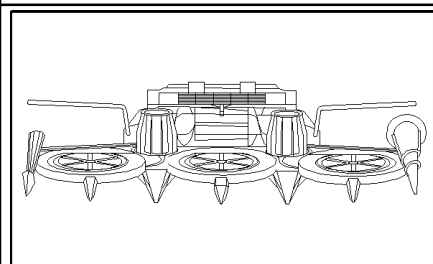
20.042(01) CLUTCH



20.042(01) CLUTCH

Ref	Part Number	Qty	Description
1	84400724	1	CLUTCH, (2 to 12)
2	80300633	1	RING, SNAP,
3	411960	1	RING, {PP:80411960}
4	84607074	1	HUB, (5)
5	84068380	1	RING,
6	386509	32	CAM, {PP:80386509}
7	386510	32	SPRING, {PP:80386510}
8	386511	22	SPRING, {PP:80386511}
9	84607075	1	HOUSING, (10 to 12)
10	80062223	1	NIPPLE, LUBE,
11	84607076	2	WASHER,
12	84607077	1	BUSHING,

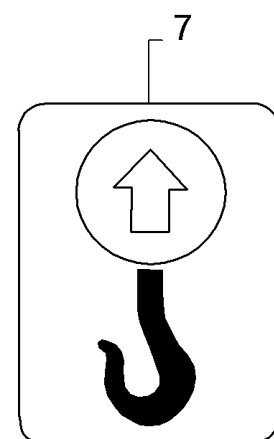
WWW.KORMO.BY



SPEED ADJUSTMENT RI 450

Sprocket Z=16 or Z=30

LOW RANGE (Z=16)		LOW RANGE (Z=30)	
12 knives	8 knives	12 knives	8 knives
4 → 5	6 → 7	8 → 10	12 → 15
5 → 6	8 → 9	11 → 13	16 → 19
7 → 8	10 → 12	14 → 16	20 → 25
9 → 10	13 → 15	17 → 20	26 → 30



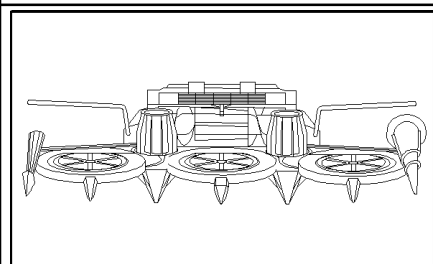
20.043(01) DECALS

Ref	Part Number	Qty	Description
1	84400514	4	DECAL,
2	82847731	2	DECAL,
3	84814171	1	DECAL,
4	84400503	4	DECAL,
5	84790015	1	DECAL,
6	82847971	1	DECAL,
7	84790301	4	DECAL,

WWW.KORMO.BY



20.044(01) SAFETY DECALS

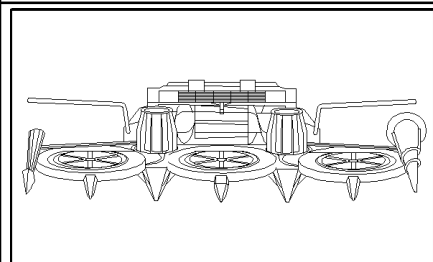


20.044(01) SAFETY DECALS

Ref	Part Number	Qty	Description
1	82847812	2	DECAL,
2	82847810	2	DECAL,
3	82847813	2	DECAL,
4	82847808	2	DECAL,
5	82847809	4	DECAL,
6	82847811	1	DECAL,

WWW.KORMO.BY





1

! WARNING

TO AVOID SERIOUS INJURY NEVER SEARCH FOR DETECTED ~~ME~~ UNTIL YOU

1. DISENGAGE ALL DRIVES.
2. SHUT OFF THE ENGINE AND REMOVE STARTER KEY.
3. WAIT FOR ALL PARTS TO STOP MOVING.

514 849.0

2

! DANGER

TO AVOID SERIOUS INJURY OR DEATH STAY AWAY FROM ROTATING PARTS

514 851.1

3



! DANGER

TO AVOID SERIOUS INJURY OR DEATH

SHUT OFF ENGINE AND REMOVE STARTER KEY BEFORE UNCLOGGING HEADER OR MAKING ANY ADJUSTMENTS

514 543.1

4

! DANGER



KEEP AWAY - ROTATING BLADES AND CHAINS TO AVOID SERIOUS INJURY OR DEATH FROM THROWN OBJECTS OR BLADE CONTACT

- DO NOT STAND ON OR NEAR MACHINE WHEN IN OPERATION
- DO NOT OPERATE WITH DEFLECTORS OR GUARDS REMOVED.
- DO NOT OPERATE WITH TORN OR RAISED CURTAIN GUARD.

514 887.2



20.045(01) DECALS, NA

Ref	Part Number	Qty	Description
1	84400521	1	DECAL,
2	84400523	6	DECAL,
3	84400528	2	DECAL,
4	84400529	2	DECAL,

WWW.KORMO.BY



WWW.KORMO.BY