

# ***Attachments for FX-375***

---

**300N6 NH 6-ROW CORN HEAD FOR FX SERIES (NON HYDRO)**

**300N6X NH 6-ROW CORN HEAD FOR FX -96 - SERIES**

**340WX WINDROW PICK-UP - FOR FX-96-SERIES**

**350WX WINDROW PICK-UP - FOR FX-96-SERIES**

**360N4 NH 4-ROW CORN HEAD FOR FX SERIES**

**360N4X NH 4-ROW CORN HEAD FOR FX - 96 - SERIES**

**600N8 NH 8-ROW CORN HEAD FOR FX SERIES**

**600N8X NH 8-ROW CORN HEAD FOR FX -96 - SERIES**

**WWW.KORMO.BY**



## Figure Search for FX375 SELF-PROPELLED FORAGE HARVES

0.00001(1) VERSION LIST  
0.0001(1) MAIN SECTIONS  
0.0002(1) SECTION LIST 0  
0.0003(1) SECTION LIST 1  
0.0004(1) SECTION LIST 2  
0.0005(1) SECTION LIST 3  
0.0006(1) SECTION LIST 4  
0.0007(1) SECTION LIST 5  
0.0008(1) SECTION LIST 6  
0.0009(1) SECTION LIST 7  
0.0010(1) SECTION LIST 8  
0.0011(1) SECTION LIST 9  
0.0012(1) SECTION LIST 10  
0.0013(1) SECTION LIST 11  
0.0014(1) MAINTENANCE PARTS  
0.0015(1) MAINTENANCE PARTS  
0.0016(1) SAFETY DECALS - INSTRUCTION DECALS  
0.0017(1) SAFETY DECALS - INSTRUCTION DECALS  
0.0018(1) SAFETY DECALS - INSTRUCTION DECALS  
0.0022(1) COMMERCIAL DECALS  
0.0023(1) COMMERCIAL DECALS  
0.0026(1) COMMERCIAL DECALS  
0.0027(1) COMMERCIAL DECALS  
0.0030(1) ADDITIONAL DESCRIPTIONS  
0.02.1(01) COMPLETE ENGINE  
0.04.0(01) CRANKCASE  
0.04.2(01) OIL SUMP  
0.04.3(01) ENGINE COVERS & GASKETS  
0.04.3(03) COVERS  
0.04.3(05) ENGINE COVERS & GASKETS  
0.04.5(01) BREATHERS  
0.06.0(01) CYLINDER HEAD - COVERS  
0.06.0(03) CYLINDER HEAD  
0.07.1(01) INTAKE MANIFOLD  
0.07.7(01) EXHAUST MANIFOLD  
0.08.0(01) CRANKSHAFT  
0.08.1(01) CONNECTING ROD  
0.08.2(01) ENGINE PISTON  
0.08.3(01) FLYWHEEL  
0.08.4(01) CRANKSHAFT PULLEY  
0.10.0(01) TIMING CONTROL  
0.12.0(01) CAMSHAFT  
0.14.0(01) INJECTION PUMP  
0.14.0(02) INJECTION PUMP - COMPONENTS  
0.14.0(05) INJECTION PUMP - COMPONENTS  
0.14.0(10) INJECTION PUMP - COMPONENTS  
0.14.0(12) INJECTION PUMP - NOZZLES  
0.14.0(13) INJECTION PUMP - COMPONENTS

0.14.0(16) NOZZLES  
0.14.0(18) FUEL PUMP - COMPONENTS  
0.14.0(20) INJECTION NOZZLE - LINES  
0.14.0(21) FUEL PIPING  
0.14.0(25) INJECTION PUMP  
0.14.0(30) INJECTION PUMP  
0.14.0(32) INJECTION PUMP  
0.14.0(36) INJECTION PUMP  
0.14.0(41) INJECTION PUMP  
0.14.0(43) INJECTION PUMP  
0.14.0(47) INJECTION PUMP  
0.14.0(53) INJECTION PUMP  
0.14.0(55) INJECTION PUMP  
0.14.0(56) INJECTION PUMP  
0.20.0(01) FUEL FILTER  
0.20.3(01) FUEL PIPING  
0.24.0(01) TURBOCHARGER  
0.24.0(03) TURBOCHARGER  
0.30.0(01) OIL PUMP  
0.30.2(01) OIL FILTER  
0.30.3(01) OIL RELIEF VALVE  
0.30.5(01) LINES AND OIL LEVEL INDICATOR  
0.31.0(01) OIL-WATER HEAT EXCHANGER  
0.32.0(01) WATER PUMP  
0.32.3(01) ENGINE COOLING LINES  
0.32.3(03) ENGINE COOLING PIPING  
0.36.0(01) STARTER MOTOR  
0.36.0(03) STARTER MOTOR  
0.56.5(01) ELECTRIC STOP ENGINE  
01.01(01) THROTTLE CONTROL  
01.02(01) ALTERNATOR  
01.03(01) ALTERNATOR  
01.04(01) ENGINE ACCESSORIES  
01.05(01) FAN DRIVE  
01.06(01) BLOWERS  
01.07(01) MUFFLER  
01.08(01) AIR-CLEANER  
01.09(01) AIR-CLEANER  
01.09A(01) AIR FILTER  
01.10(01) ENGINE: SUPPORTS  
01.11(01) ENGINE ACCESSORIES  
01.12(01) RADIATOR: SUPPORTS  
01.13(01) RADIATOR AND INTERCOOLER  
01.15(01) RADIATOR AND INTERCOOLER  
01.16(01) RADIATOR AND INTERCOOLER  
01.18(01) RADIATOR AND INTERCOOLER  
01.19(01) "SHUNT TANK"  
01.20(01) ENGINE ACCESSORIES  
01.21(01) OIL FILL TUBE  
01.22(01) FUEL TANK  
01.23(01) FUEL TANK  
01.24(01) FUEL TANK

01.25(01) WIPER FOR RADIATOR  
01.26(01) WIPER FOR INTERCOOLER  
01.27(01) WIPER FOR RADIATOR  
02.01(01) MAIN DRIVE  
02.02(01) MAIN DRIVE  
02.03(01) MAIN DRIVE  
02.04(01) MAIN DRIVE  
02.05(01) POWER TAKE-OFF  
02.06(01) MAIN DRIVE  
02.07(01) MAIN DRIVE: GEARBOX  
02.08(01) MAIN DRIVE: GEARBOX  
02.09(01) MAIN DRIVE: GEARBOX  
02.10(01) CLUTCH  
02.11(01) MAIN DRIVE  
02.12(01) POWER TAKE-OFF  
02.13(01) POWER TAKE-OFF  
02.14(01) STOP SYSTEM METAL DETECTOR  
02.15(01) STOP SYSTEM METAL DETECTOR  
02.16(01) REVERSING CLUTCH  
02.16A(01) REVERSING CLUTCH  
02.17(01) MAIN DRIVE  
02.18(01) POWER TAKE-OFF  
02.19(01) POWER TAKE-OFF  
02.20(01) CLUTCH ASSEMBLY  
02.21(01) STANDARD REVERSE GEARBOX  
02.22(01) STANDARD REVERSE GEARBOX  
02.23(01) HIGH BLOWER SPEED  
02.24(01) "L.O.C." GEARBOX  
02.25(01) "L.O.C." GEARBOX  
02.26(01) "L.O.C." GEARBOX  
02.27(01) "L.O.C." GEARBOX  
02.28(01) "L.O.C." GEARBOX  
02.29(01) "L.O.C." GEARBOX  
03.01(01) FRAME UPPER FEEDROLLS  
03.02(01) UPPER FEEDROLLS: SPRING ASSEMBLY, LH  
03.03(01) UPPER FEEDROLLS: SHOCK ABSORBER, LH  
03.04(01) UPPER FEEDROLLS: SPRING ASSEMBLY, RH  
03.05(01) UPPER FEEDROLLS: SHOCK ABSORBER, RH  
03.05A(01) DAMPER: SUPPORT  
03.06(01) UPPER FEEDROLLS  
03.06A(01) UPPER FEEDROLLS, SUSPENSION  
03.07(01) UPPER FEEDROLLS: DRIVE  
03.08(01) UPPER FEEDROLLS: DRIVE  
03.09(01) UPPER FEEDROLLS: DRIVE  
03.10(01) CUTTERHEAD  
03.11(01) CUTTERHEAD: KNIVES AND "CORN CRACKER"  
03.12(01) GEARBOX  
03.13(01) GEARBOX  
03.14(01) SHEARBAR ADJUSTMENT  
03.15(01) SHEARBAR  
03.16(01) SHEARBAR ADJUSTMENT  
03.17(01) LOWER FEEDROLLS WITH METAL DETECTOR



03.18(01) LOWER FEEDROLLS WITH METAL DETECTOR  
03.19(01) METAL DETECTOR ASSEMBLY  
03.20(01) KNIFE SHARPENER  
03.21(01) KNIFE SHARPENER  
03.22(01) KNIFE SHARPENER  
03.23(01) CUTTERHEAD ACCESSORIES  
03.24(01) CUTTERHEAD FRAME  
03.25(01) SHIELDS  
03.26(01) SHIELDS  
03.27(01) CUTTERHEAD ACCESSORIES  
03.28(01) GRASS PLATE  
03.29(01) SHREDBAR KIT  
03.30(01) RECUTTER SCREEN  
04.01(01) DRIVE  
04.02(01) DRIVE  
04.02A(01) GUARDS  
04.03(01) CLUTCH  
04.04(01) DRIVE  
04.05(01) ROLLS  
04.06(01) DRIVE  
04.07(01) ROLL ADJUSTMENT  
04.08(01) ROLL ADJUSTMENT  
04.09(01) ROLL ADJUSTMENT  
04.10(01) ELECTRICAL CONTROL  
04.11(01) ELECTRICAL CONTROL  
04.12(01) MANUAL CONTROL  
04.13(01) FRAME AND GUARDS  
04.14(01) GUARDS  
05.01(01) BLOWER  
05.02(01) BLOWER  
05.03(01) BLOWER: GEARBOX  
05.04(01) BLOWER: GEARBOX  
05.04A(01) BLOWER: GEARBOX  
05.04B(01) BLOWER: GEARBOX  
05.05(01) SPOUT  
05.06(01) SPOUT: LUBRICATION  
05.07(01) SPOUT  
05.08(01) SPOUT  
05.09(01) SPOUT  
05.09A(01) SPOUT  
05.10(01) SPOUT  
05.10A(01) SPOUT  
05.11(01) SPOUT EXTENSION  
05.12(01) SPOUT EXTENSION  
06.01(01) CABINE  
06.02(01) CAB FLOOR  
06.03(01) CABINE WINDOW PANES  
06.03A(01) SCREEN WASHER FOR FRONT WINDOW  
06.04(01) CAB ROOF  
06.05(01) WINDSCREEN WIPER, FRONT  
06.05A(01) WINDSCREEN WIPER, REAR  
06.05B(01) WINDSCREEN WIPER, SIDE

06.06(01) DOOR LOCK  
06.07(01) EMERGENCY DOOR LOCK  
06.08(01) UPHOLSTERY  
06.09(01) PIVOTING STEERING COLUMN  
06.10(01) PIVOTING STEERING COLUMN  
06.11(01) PIVOTING STEERING COLUMN  
06.12(01) PIVOTING STEERING COLUMN  
06.13(01) PIVOTING STEERING COLUMN  
06.14(01) AIR CONDITIONER  
06.15(01) HEATING  
06.16(01) AIR CONDITIONER  
06.17(01) AIR CONDITIONER  
06.18(01) AIR CONDITIONER  
06.19(01) AIR CONDITIONER  
06.20(01) ARMREST, RH  
06.21(01) SEAT  
06.22(01) SEAT  
06.23(01) SEAT  
06.24(01) SEAT  
06.25(01) SEAT  
06.26(01) SEAT  
06.27(01) BUDDY SEAT  
06.28(01) FILTER  
06.29(01) FILTER  
07.01(01) INSTRUMENT PANEL AND WIRING LOOM  
07.02(01) INSTRUMENT PANEL AND WIRING LOOM  
07.03(01) INSTRUMENT PANEL AND WIRING LOOM  
07.04(01) INSTRUMENT PANEL AND WIRING LOOM  
07.05(01) INSTRUMENT PANEL  
07.06(01) WIRING LOOM: STEERING COLUMN  
07.07(01) CONTROL LEVER FOR HYDRAULICS  
07.08(01) ELECTRONIC CONTROL UNIT FOR HYDRAULICS  
07.09(01) ELECTRONIC CONTROL UNIT FOR HYDRAULICS  
07.10(01) CAB ROOF: ELECTRICITY  
07.11(01) ELECTRIC CONTROL BOX  
07.12(01) ELECTRIC CONTROL BOX  
07.13(01) ELECTRIC WIRING: SPOUT AND FLASHERS  
07.13A(01) ELECTRIC WIRING: SPOUT AND FLASHERS  
07.13B(01) ELECTRIC WIRING : FLIPPER KIT  
07.14(01) ADDITIONAL WORK LIGHT: SPOUT  
07.15(01) CHOPPER: HEIGHT INDICATOR  
07.16(01) ELECTRIC WIRING: STEERING PLATFORM  
07.17(01) CUTTERHEAD: ELECTRIC WIRING  
07.18(01) ELECTRIC WIRING: LOWER FRAME  
07.19(01) ELECTRIC WIRING: BATTERY  
07.20(01) FRONT ILLUMINATION AND HARNESSES  
07.21(01) ELECTRIC WIRING: ENGINE  
07.22(01) INDICATOR "AUTOPILOT"  
07.23(01) REAR LIGHTS  
07.24(01) ILLUMINATION KIT  
07.25(01) REAR WORK LIGHT  
07.26(01) ILLUMINATION KIT

07.27(01) REAR LIGHTS  
07.28(01) TERMINALS AND TERMINAL CONNECTORS  
07.29(01) TERMINALS AND TERMINAL CONNECTORS  
07.30(01) TERMINALS AND TERMINAL CONNECTORS  
07.31(01) TERMINALS AND TERMINAL CONNECTORS  
07.32(01) TERMINALS AND TERMINAL CONNECTORS  
07.33(01) CENTRAL LUBRICATION: TERMINALS AND TERMINAL CONNECTORS  
07.34(01) CENTRAL LUBRICATION: ELECTRIC WIRING  
08.01(01) HYDRAULIC TANK  
08.02(01) HYDRAULIC TANK  
08.03(01) HYDRAULIC TANK  
08.04(01) STEERING VALVE  
08.05(01) STEERING VALVE  
08.06(01) STEERING VALVE  
08.07(01) STEERING VALVE  
08.08(01) HYDRAULIC MOTOR: CUTTERHEAD REVERSE DRIVE  
08.08A(01) HYDRAULIC MOTOR: SAFETY KIT  
08.09(01) STEERING CYLINDER  
08.10(01) STEERING CYLINDERS  
08.11(01) HYDRAULIC PARTS FOR CUTTERHEAD  
08.12(01) HYDRAULIC LINES: SPOUT AND FRONT HYDRAULIC LINES  
08.13(01) OVERPRESSURE VALVE  
08.14(01) CYLINDER FOR SPOUT  
08.14A(01) CYLINDER FOR SPOUT DEFLECTORS  
08.15(01) HYDROSTATIC PUMP  
08.15A(01) HYDROSTATIC PUMP  
08.15B(01) HYDROSTATIC PUMP  
08.15C(01) HYDROSTATIC PUMP  
08.16(01) HYDRAULIC PIPES  
08.17(01) HYDRAULIC FOR PUMP  
08.18(01) HYDRAULIC FOR COOLER  
08.19(01) HYDRAULIC LINES TO LOW PRESSURE VALVE  
08.19A(01) HYDRAULIC LINES TO LOW PRESSURE VALVE  
08.20(01) HYDRAULIC LINES TO LOW PRESSURE VALVE  
08.20A(01) HYDRAULIC LINES TO LOW PRESSURE VALVE  
08.21(01) HYDRAULIC LINES TO HYDROSTATIC MOTOR  
08.22(01) HYDROSTATIC MOTOR  
08.23(01) ACCUMULATORS  
08.23B(01) FLOTATION KIT "KEMPER 4500" AND "600N8X"  
08.24(01) REAR HYDRAULIC LINES  
08.25(01) HYDRAULIC LINES TO MAIN VALVE  
08.25A(01) HYDRAULIC LINES TO MAIN VALVE  
08.25B(01) HIGH PRESSURE FILTER  
08.26(01) COMPENSATION VALVE AND "E.M.R." VALVE  
08.27(01) VALVE  
08.27A(01) SB 12 VALVE  
08.28(01) VALVE  
08.28A(01) SB12 VALVE  
08.29(01) HYDRAULICS FOR HIGH CAPACITY AND TANK  
08.30(01) HIGH CAPACITY HYDRAULICS: VALVES AND LINES  
08.31(01) HIGH CAPACITY HYDRAULICS: VALVES AND LINES  
08.32(01) TRANSMISSION HOUSING



08.33(01) TUBE CLAMPS AND HYDRAULIC TUBES  
09.01(01) GEARSHIFT CONTROLS  
09.02(01) GEARSHIFT CONTROLS  
09.03(01) GEARBOX  
09.04(01) GEARBOX  
09.05(01) GEARBOX - STUDS  
09.06(01) DIFFERENTIAL  
09.07(01) BRAKE DISCS  
09.08(01) GEARS  
09.09(01) GEARS  
09.10(01) GEARS  
09.11(01) GEARS  
09.12(01) SPECIFIC PARTS - HYDROSTATIC DRIVE  
09.13(01) DIFFERENTIAL LOCK CONTROL  
09.14(01) DIFFERENTIAL LOCK CONTROL  
09.15(01) BRAKE ASSY  
09.16(01) CIRCUIT FOR HYDRAULIC BRAKES  
09.17(01) PEDALS HYDRAULIC BRAKES  
09.18(01) CIRCUIT FOR HYDRAULIC BRAKES  
09.19(01) TRANSMISSION HANDBRAKE  
09.20(01) TRANSMISSION HANDBRAKE  
09.21(01) DRIVE SHAFTS  
09.21A(01) EXTENSION KIT  
09.21B(01) EXTENSION KIT  
09.22(01) END REDUCTION 10/75  
09.23(01) END REDUCTION 10/75  
09.24(01) TRACTION WHEELS  
09.25(01) STEERING WHEELS  
09.26(01) FIXED STEERING AXLE  
09.27(01) FIXED STEERING AXLE  
09.28(01) MECHANICAL 4-WHEEL DRIVE: AXLE  
09.29(01) MECHANICAL 4-WHEEL DRIVE: AXLE  
09.30(01) MECHANICAL 4-WHEEL DRIVE: AXLE  
09.31(01) MECHANICAL 4-WHEEL DRIVE: AXLE  
09.32(01) MECHANICAL 4-WHEEL DRIVE: AXLE  
09.33(01) MECHANICAL 4-WHEEL DRIVE: AXLE  
09.34(01) MECHANICAL 4-WHEEL DRIVE: AXLE  
09.35(01) MECHANICAL 4-WHEEL DRIVE - GEARBOX  
09.36(01) MECHANICAL 4-WHEEL DRIVE - GEARBOX  
09.37(01) MECHANICAL 4-WHEEL DRIVE: CLUTCH  
09.38(01) MECHANICAL 4-WHEEL DRIVE: POWER TAKE-OFF  
10.01(01) MAIN FRAME  
10.02(01) MAIN FRAME  
10.03(01) MAIN FRAME  
10.04(01) MAIN FRAME  
10.05(01) BATTERY BOX  
10.06(01) STEERING PLATFORM, RH  
10.07(01) MIRRORS AND HAND-RAIL, RH  
10.08(01) STEERING PLATFORM, LH  
10.09(01) MIRRORS AND HAND-RAIL, LH  
10.10(01) LADDER  
10.11(01) SHIELDS



10.14(01) SHIELDS, RH  
10.15(01) SHIELDS, LH  
10.16(01) SHIELDS: ENGINE  
10.17(01) REAR SHIELDS  
10.18(01) ROTARY SCREEN: SHIELDS, LH  
10.19(01) ROTARY SCREEN: SHIELDS, LH  
10.20(01) ROTARY SCREEN: SHIELDS, RH  
10.21(01) ROTARY SCREEN: SHIELDS, RH  
10.22(01) ROTARY SCREEN: SHIELDS, LH  
10.23(01) ROTARY SCREEN: SHIELDS, LH  
10.24(01) ROTARY SCREEN: SHIELDS, RH  
10.25(01) ROTARY SCREEN: SHIELDS, RH  
10.26(01) ROTARY SCREEN: DRIVE  
10.27(01) ROTARY SCREEN: LOW RPM  
10.28(01) CLEANING BRUSH  
11.01(01) HAZARD WARNING PLATES  
11.02(01) FIRE EXTINGUISHER  
11.03(01) CHOCK  
11.04(01) COUNTERWEIGHTS  
11.05(01) HITCH  
11.06(01) 3PT FRAME CHOPPER BODY  
11.07(01) WORKSHOP STAND CHOPPER BODY  
11.08(01) HYDRAULIC JACK ASSEMBLY  
11.09(01) SPECIAL TOOL  
11.10(01) CENTRAL LUBRICATION: TWIN-PUMP  
11.11(01) CENTRAL LUBRICATION: MANIFOLDS AND REDUCERS  
11.12(01) CENTRAL LUBRICATION: BASIC  
11.13(01) CENTRAL LUBRICATION: TWO WHEEL DRIVE  
11.14(01) CENTRAL LUBRICATION: CUTTERHEAD  
11.14A(01) CENTRAL LUBRICATION: CUTTERHEAD  
11.15(01) CENTRAL LUBRICATION: CROP PROCESSOR  
11.16(01) CENTRAL LUBRICATION: 300N6X  
11.17(01) EXTENSION KIT FOR CENTRAL LUBRICATION  
11.18(01) EXTENSION KIT FOR CENTRAL LUBRICATION  
11.19(01) EXTENSION KIT FOR CENTRAL LUBRICATION  
11.19A(01) EXTENSION KIT FOR CENTRAL LUBRICATION  
11.20(01) CENTRAL LUBRICATION: TUBES  
11.21(01) MEASURING INSTRUMENT - AUTOPILOT  
11.22(01) MUDGUARDS  
12.014A(01) POWER TAKE-OFF GROUP

**FX375 NH SELF PROPELLED FORAGE HARVESTER - YELLOW VERSION  
CODE TABLE**

<b>CODE TABLE TABELLA CODICI TABLE DE CODES KODETABELLE</b>	<b>TABLA DE CODIGOS TABELA DE CODIGOS KODESKEMA CODETABEL</b>
<b>CODE: --FX</b>	<b>CODE: --FX</b>
C0001 : --14001 to --5044999	D0500 : --05001
C0002 : --14001 to --5052999	D0600 : --06001
C0003 : --13001 to --5052999	D0900 : --09001
C0404 : --04001 to --04999	D1000 : --10001
C0405 : --04001 to --05999	D1300 : --13001
C0406 : --04001 to --06999	D1400 : --14001
C0408 : --04001 to --08999	D3300 : --33001
C0409 : --04001 to --09999	D3900 : --39001
C0412 : --04001 to --12999	D4800 : --5048001
C0413 : --04001 to --13999	D5033 : --5033001
C0432 : --04001 to --32999	D5045 : --5045001
C0438 : --04001 to --38999	D5048 : --5048001
C0447 : --04001 to --5047999	D5053 : --5053001
C0505 : --05001 to --05999	D5057 : --5057001
C0512 : --05001 to --12999	D5061 : --5061001
C0608 : --06001 to --08999	D5065 : --5065001
C0612 : --06001 to --12999	D5070 : --507001
C0909 : --09001 to --09999	D5078 : --5078001
C0912 : --09001 to --12999	D5080 : --5080001
C0932 : --09001 to --32999	D5083 : --5083001
C1012 : --10001 to --12999	D9797 : Running change season '97 (from .....)
C1313 : --13001 to --13999	D9800 : From season '98
C1332 : --13001 to --32999	
C1344 : --13001 to --5044999	
C1347 : --13001 to --5047999	
C1432 : --14001 to --32999	
C5032 : --04001 to --5032999	
C5044 : --04001 to --5044999	
C5047 : --04001 to --5047999	
C5052 : --04001 to --5052999	
C5056 : --04001 to --5056999	
C5060 : --04001 to --5060999	
C5064 : --04001 to --5064999	
C5069 : --04001 to --5069999	
C5077 : --04001 to --5077999	
C5079 : --04001 to --5079999	
C5082 : --04001 to --5082999	
C9597 : From season '95 till season '98	
C9797 : Running change season '97 (until .....)	

VERSIONS LIST			ELENCO VERSIONI		
LISTE DES VERSIONS			VERSIONENAUF LISTUNG		
LISTA DE LAS VERSIONES			LISTE OVER MODELVESRIONER		
LISTA DAS VERSÕES			VERSIELIJST		
Modello Modelli	Model Modelo	Modele Modelo	Telaio Fahrgestell	Chassis Chassis	Engine Moteur
FX300 / 9630			27.04.001 / 18.04.001		IVECO 8210 SRI 2200A002
FX375 / 9640			29.04.001 / 21.04.001		IVECO 8210 SRI 2200A001
FX450 / 9645			30.04.001 / 22.04.001		IVECO 8210 SRI 2100A001

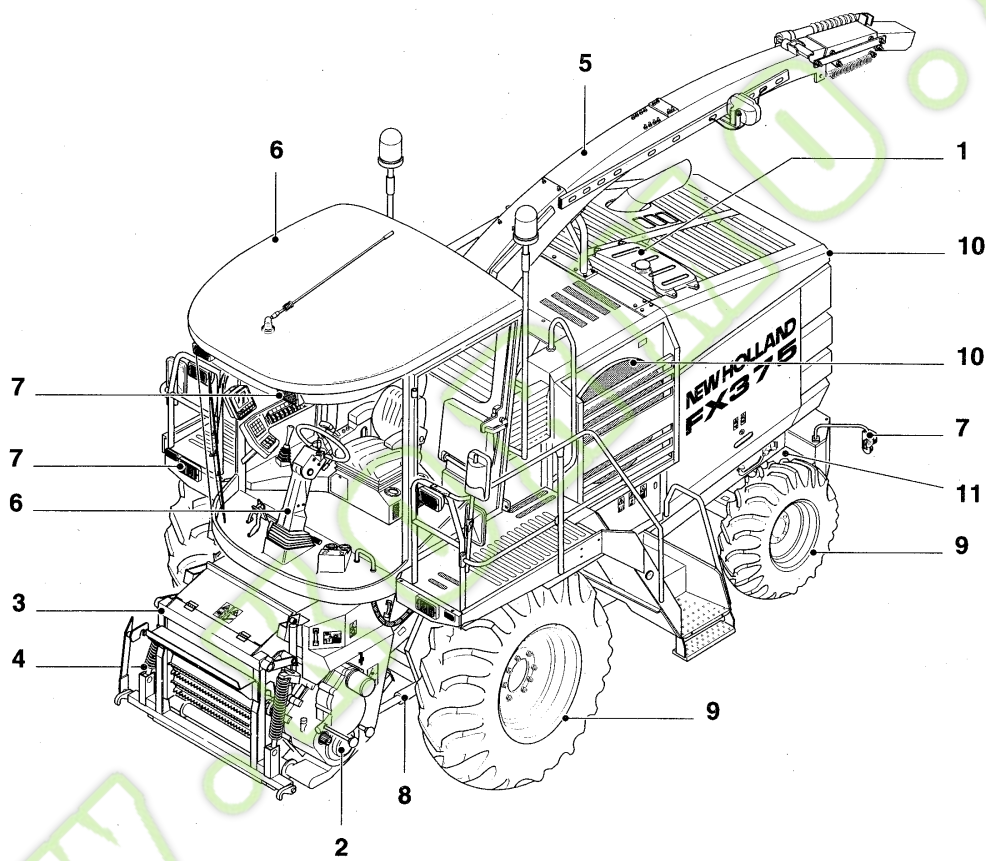
Ref	Part Number	Qty	Description
<p>WWW.KORMO.BY</p>			

MAIN SECTIONS  
SECCIONES PRINCIPALES

SEZIONI PRINCIPALI  
HOVEDAFSNIT

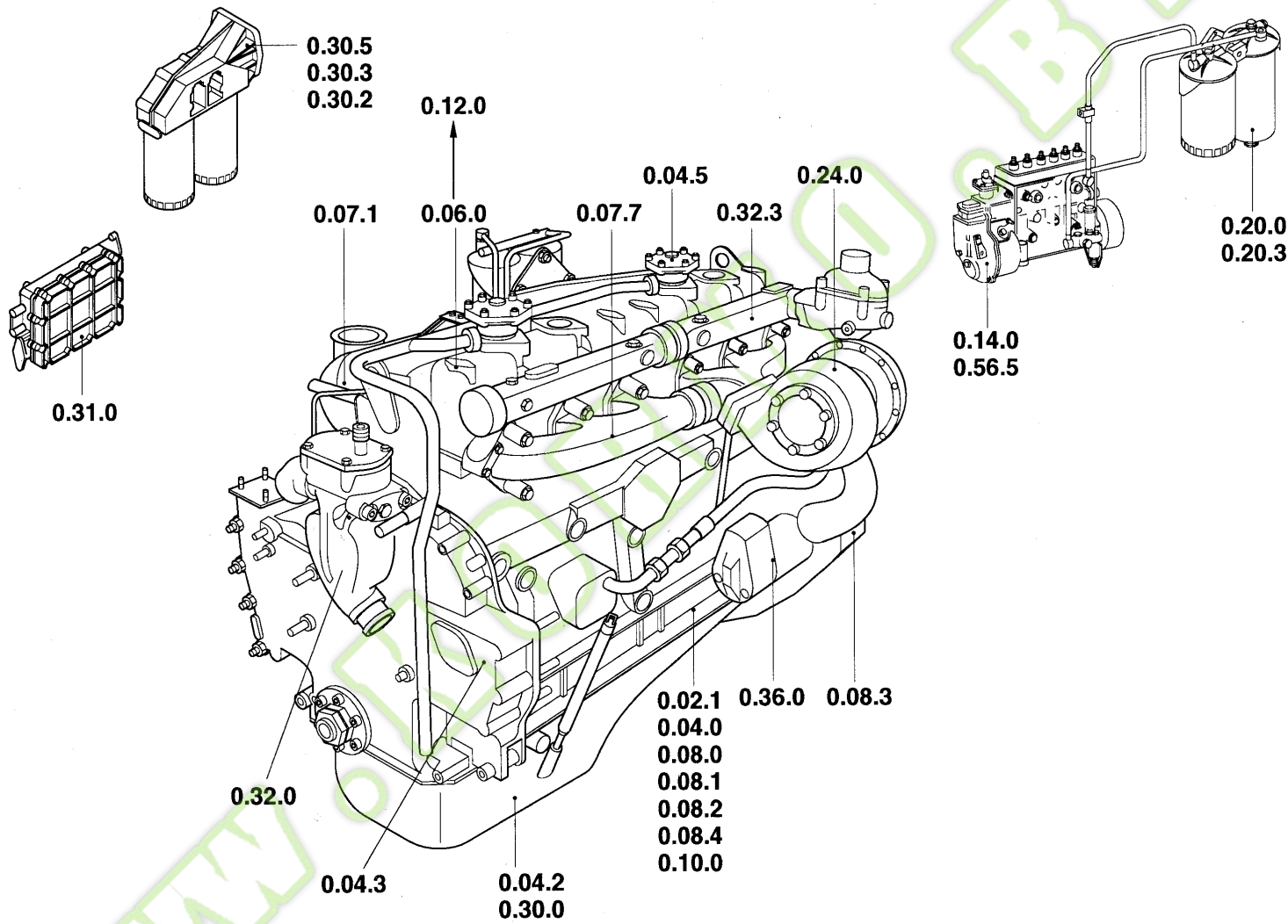
SECTIONS PRINCIPALES  
SECÇÕES PRINCIPAIS

HAUPTABSCHNITTE  
HOOFDSECTIES



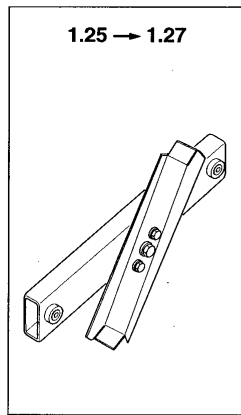
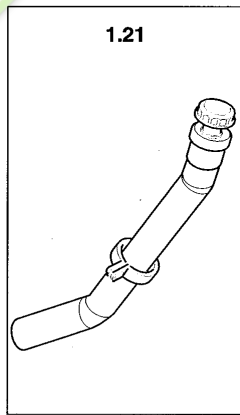
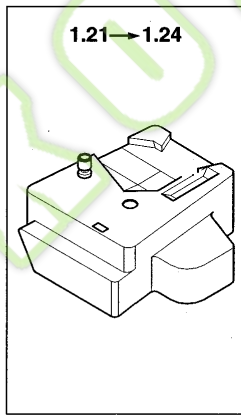
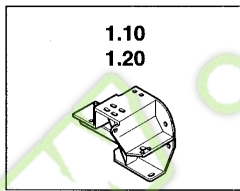
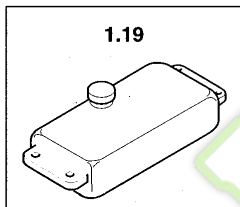
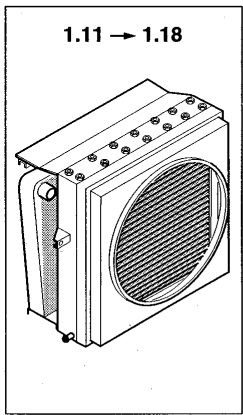
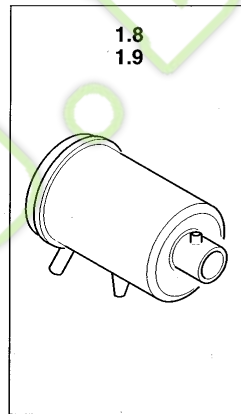
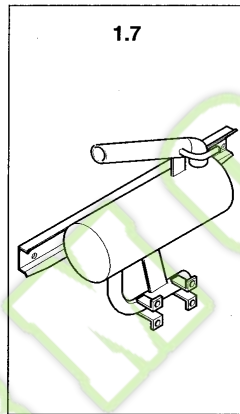
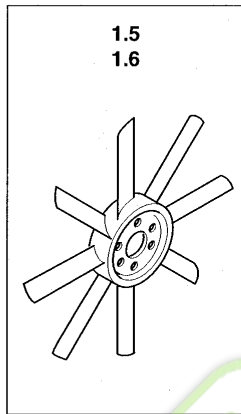
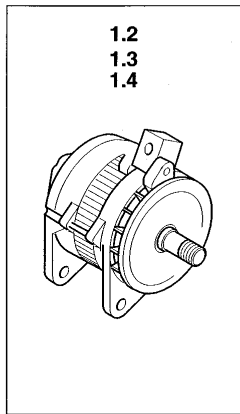
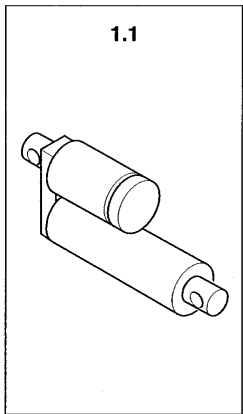
0.0001(1) MAIN SECTIONS

Ref	Part Number	Qty	Description
<p>WWW.KORMO.BY</p>			



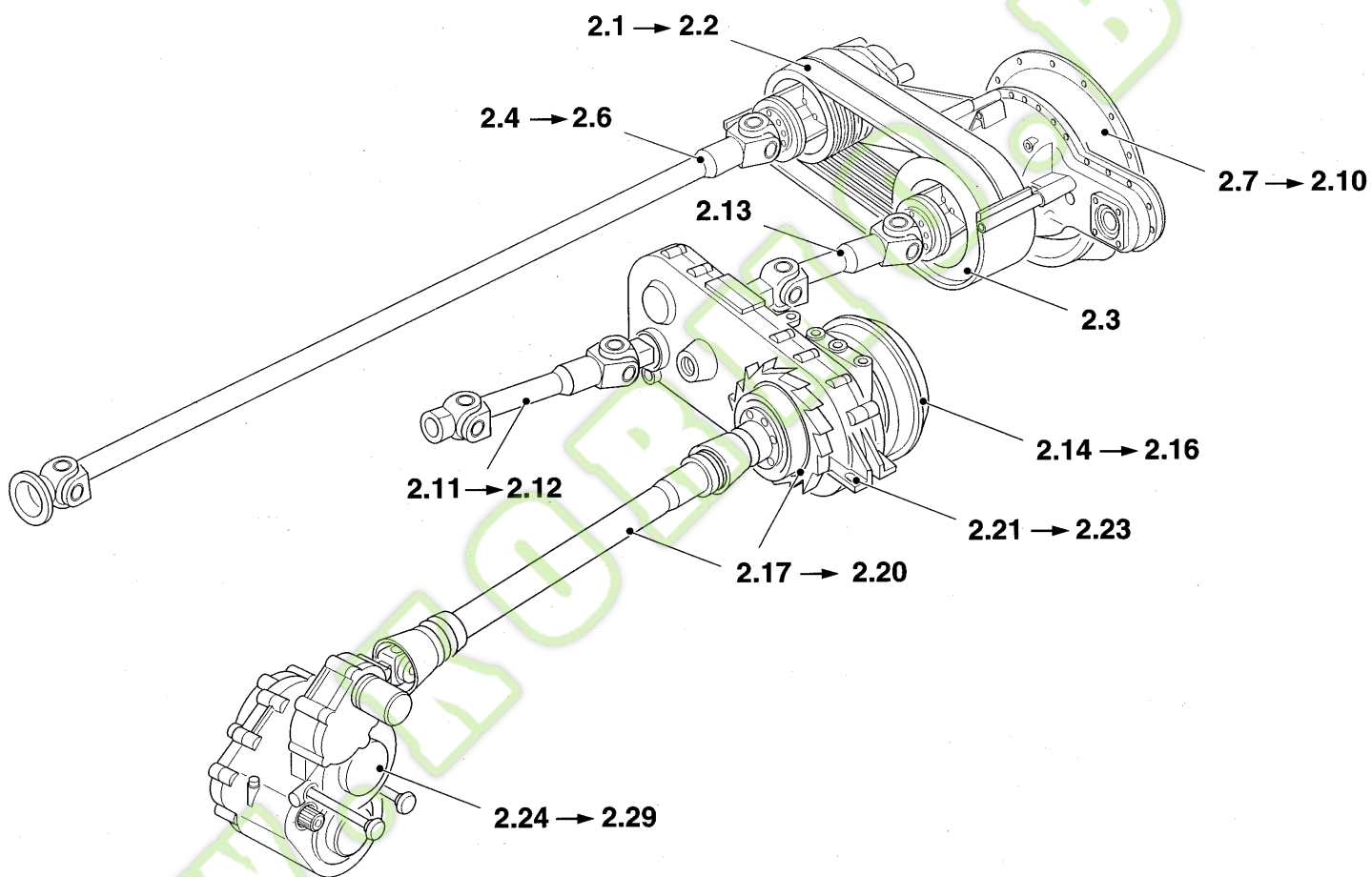
Ref	Part Number	Qty	Description
<p>WWW.KORMO.BY</p>			





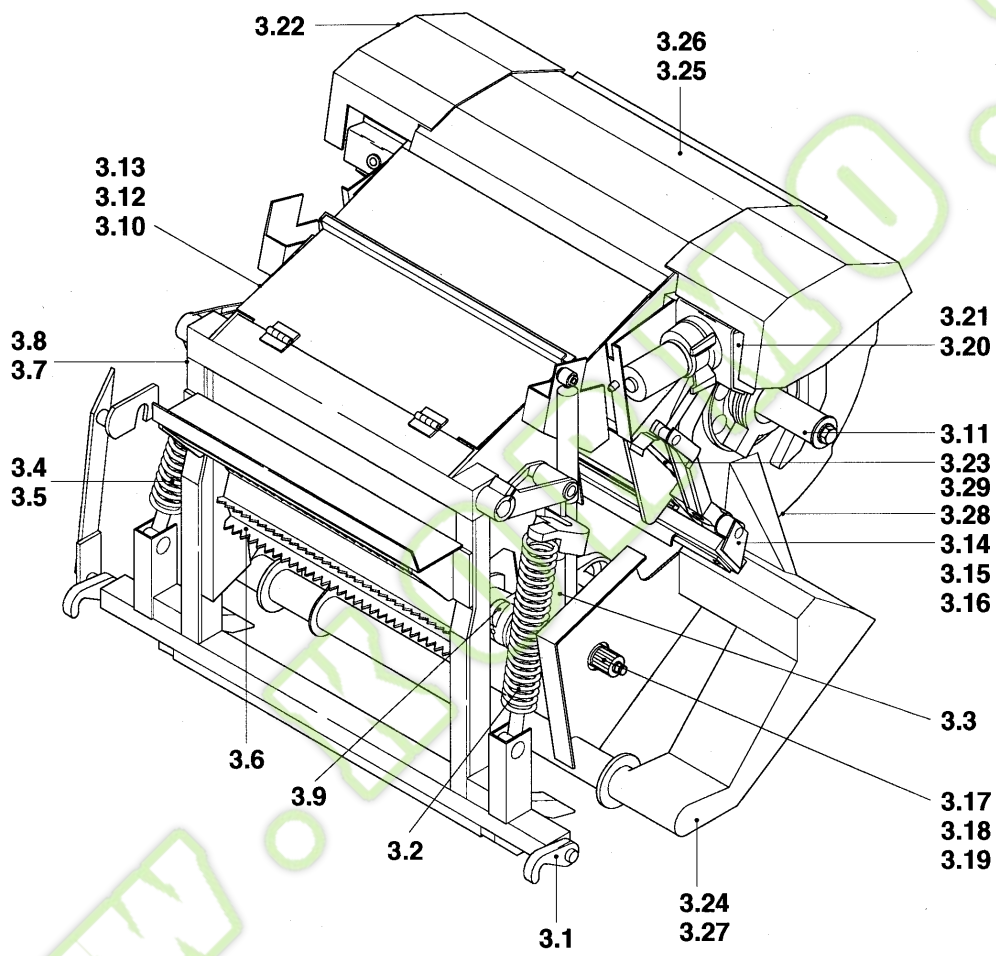
Ref	Part Number	Qty	Description
<p>WWW.KORMO.BY</p>			



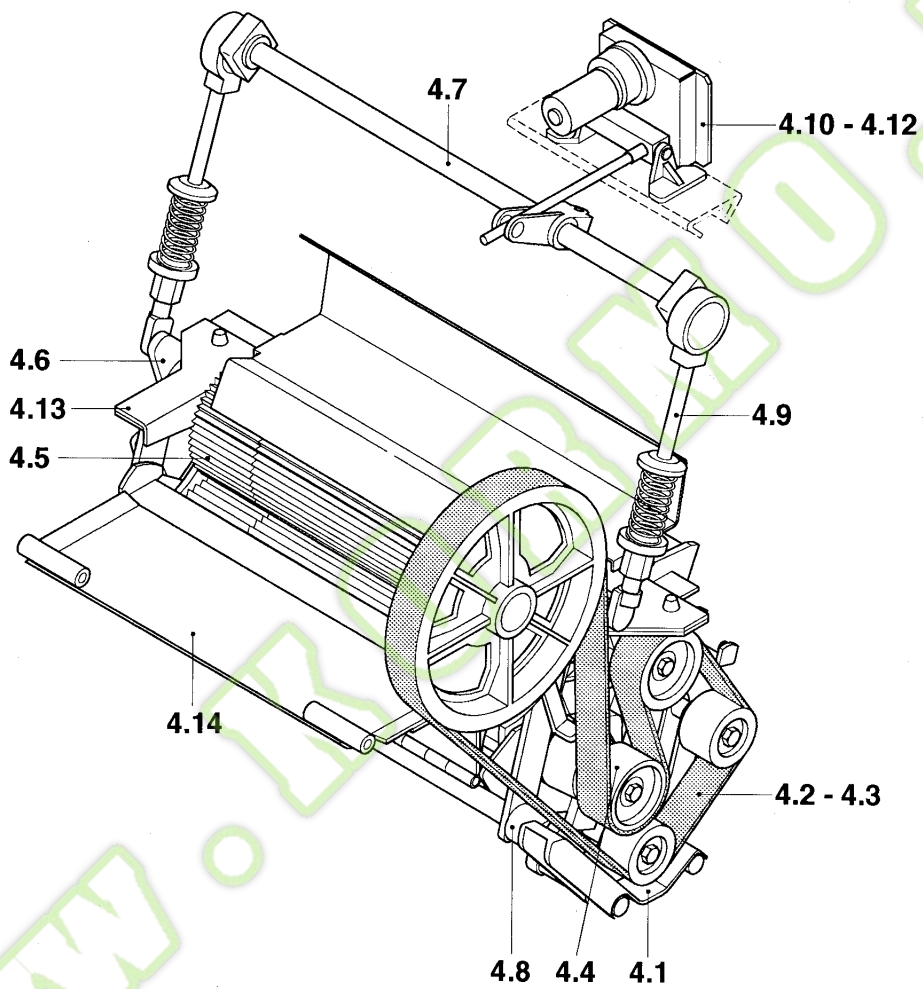


Ref	Part Number	Qty	Description
<p>WWW.KORMO.BY</p>			



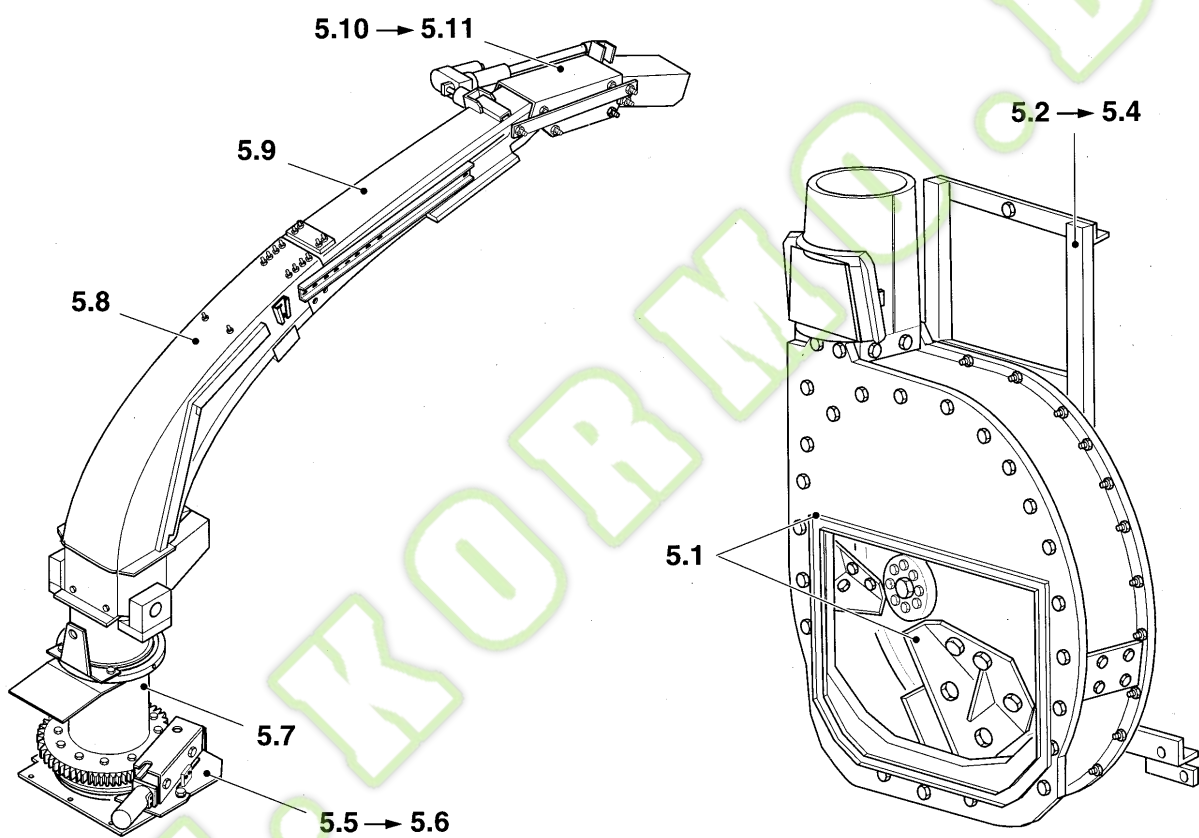


Ref	Part Number	Qty	Description
<p>WWW.KORMO.BY</p>			



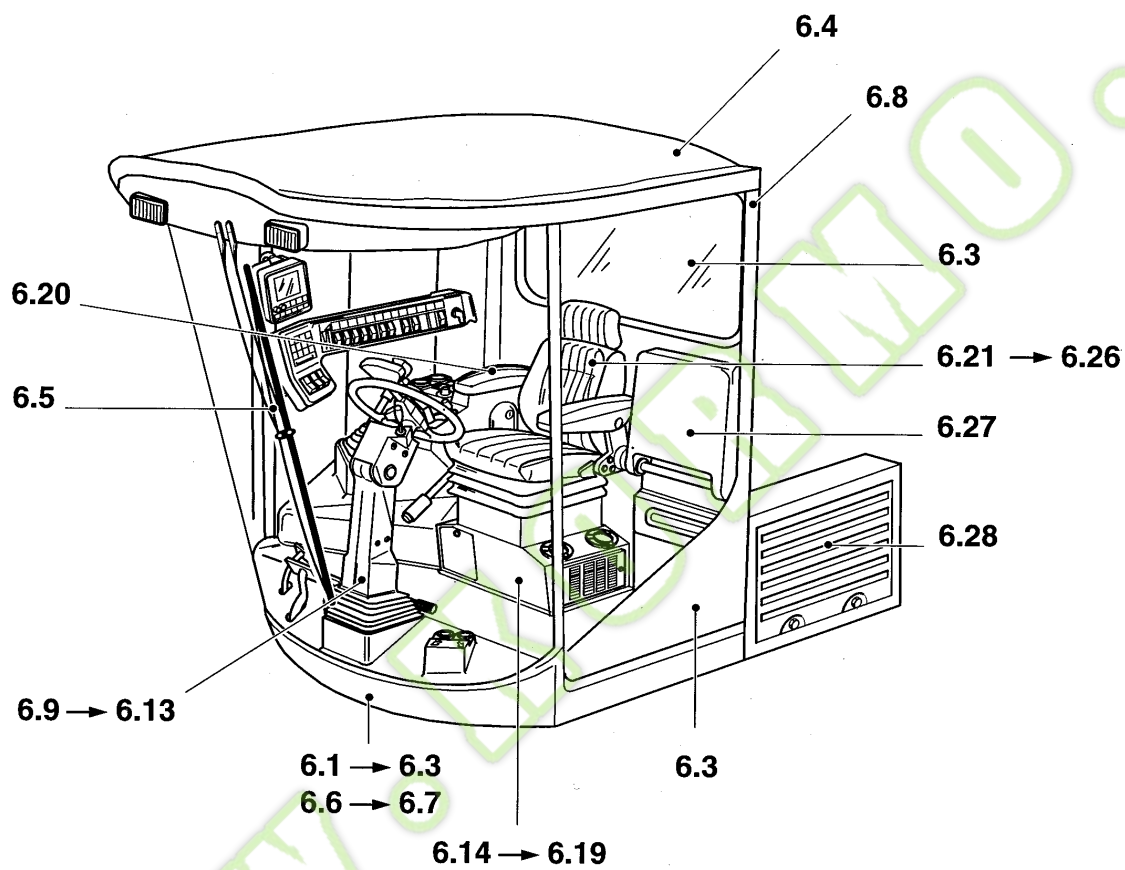
Ref	Part Number	Qty	Description
<p>WWW.KORMO.BY</p>			





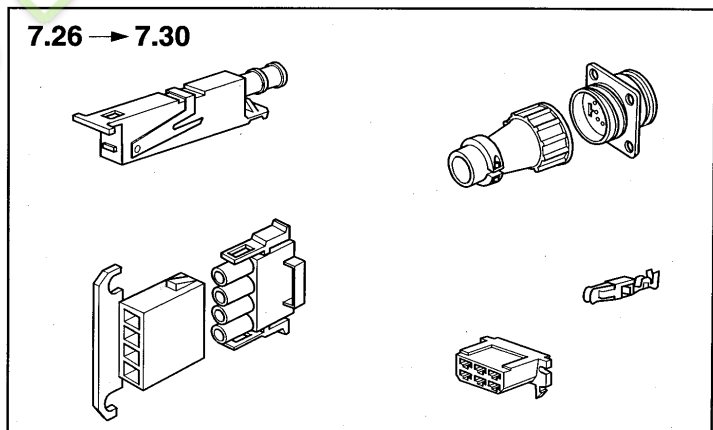
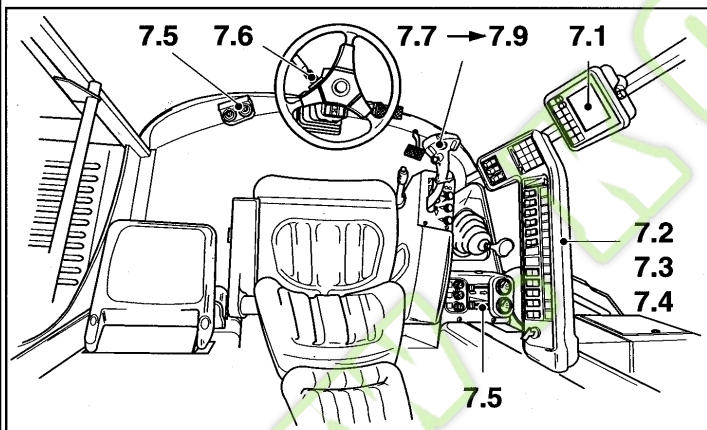
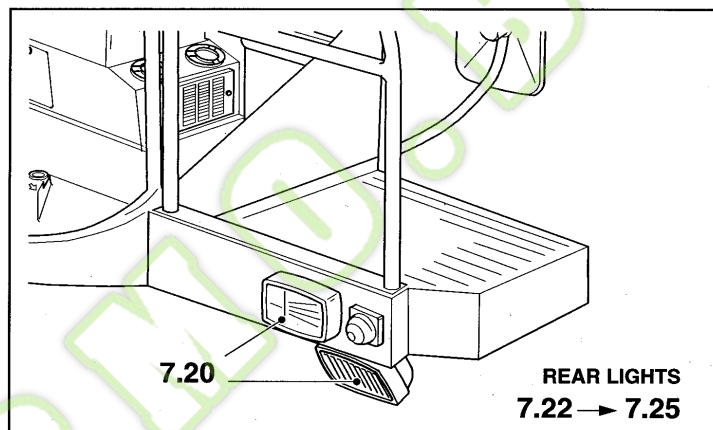
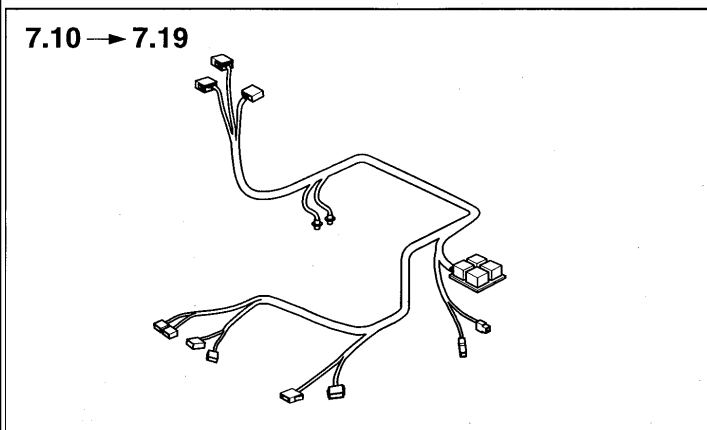
Ref	Part Number	Qty	Description
<p>WWW.KORMO.BY</p>			





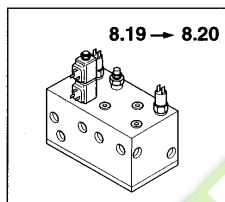
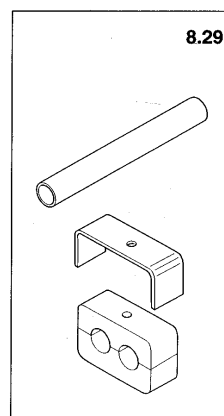
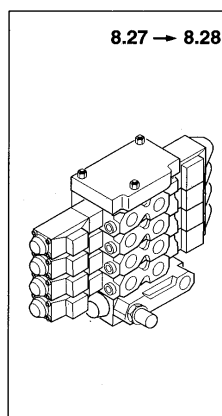
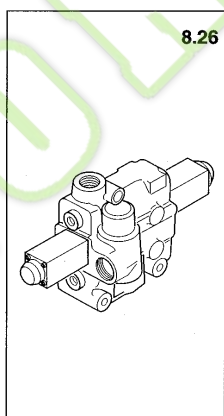
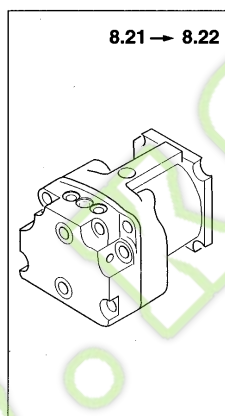
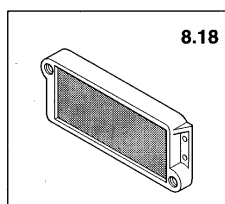
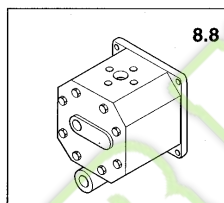
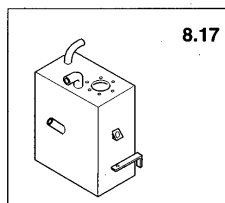
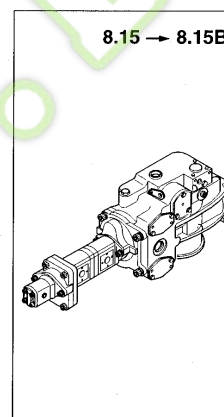
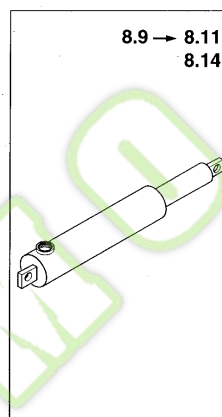
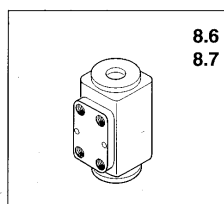
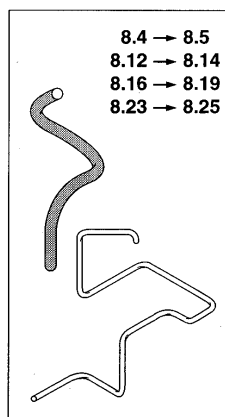
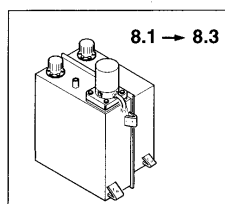
Ref	Part Number	Qty	Description
<p>WWW.KORMO.BY</p>			





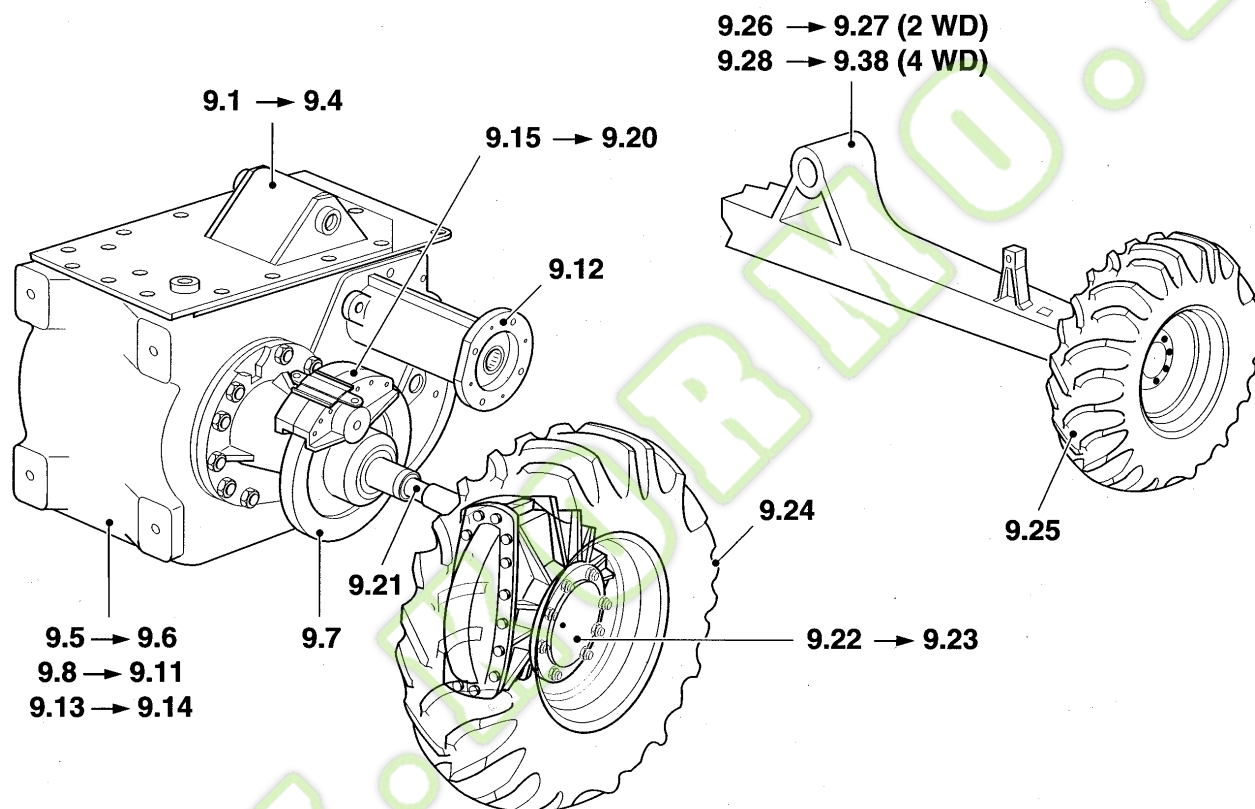
Ref	Part Number	Qty	Description
<p>WWW.KORMO.BY</p>			





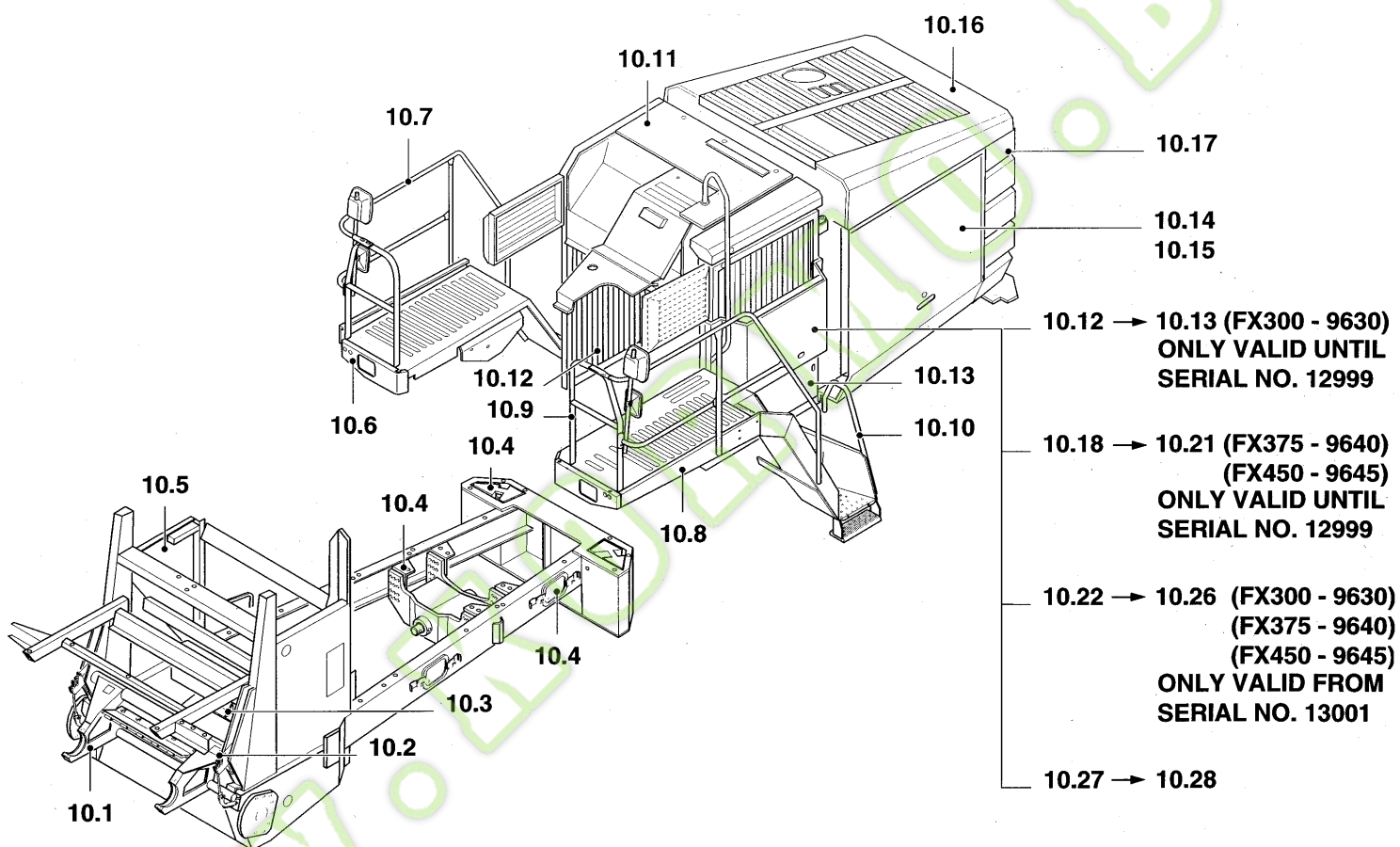
Ref	Part Number	Qty	Description
<p>WWW.KORMO.BY</p>			





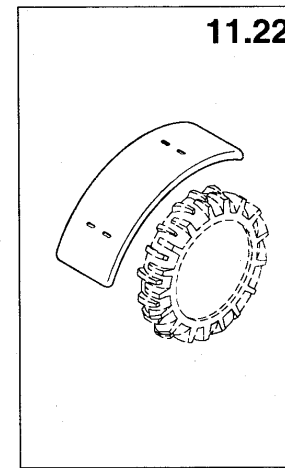
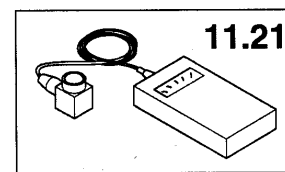
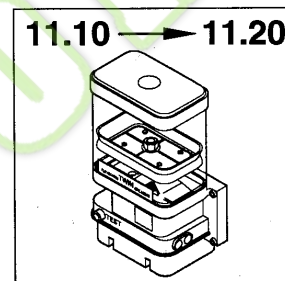
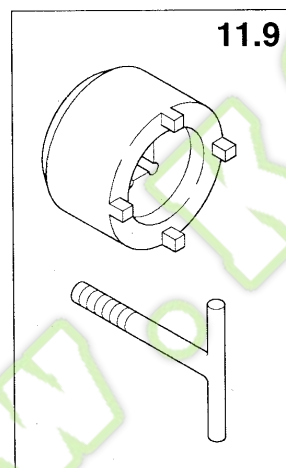
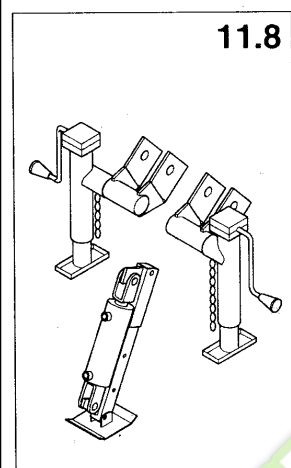
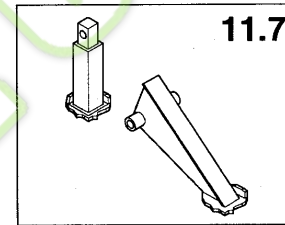
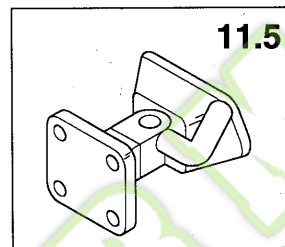
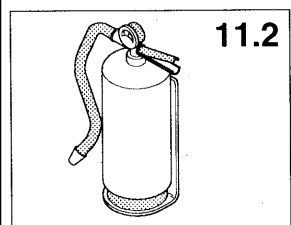
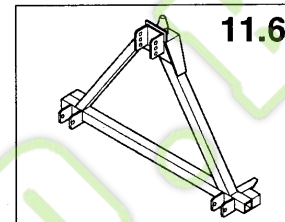
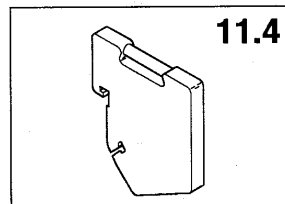
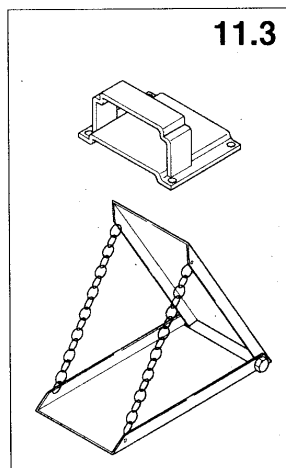
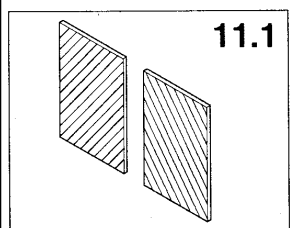
Ref	Part Number	Qty	Description
<p>WWW.KORMO.BY</p>			





Ref	Part Number	Qty	Description
<p>WWW.KORMO.BY</p>			





Ref	Part Number	Qty	Description
<p>WWW.KORMO.BY</p>			

MAINTENANCE PARTS  
REPUESTOS POR MANUTENCION

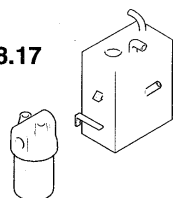
PARTICOLARI PER LA MANUTENZIONE  
RESERVEDELE FOR VEDLIGEHOELSE

PIECES POUR L'ENTRETIEN  
PEÇAS PARA A MANUTENÇÃO

ERSATZTEILEN FUER DER WARTUNG  
AANBEVOLEN WISSELSTUKKEN

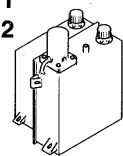
Low pressure oil filters

8.17



Oil filter

8.1  
8.2

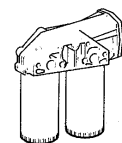


Fuel filter



0.20.0

Oil filter

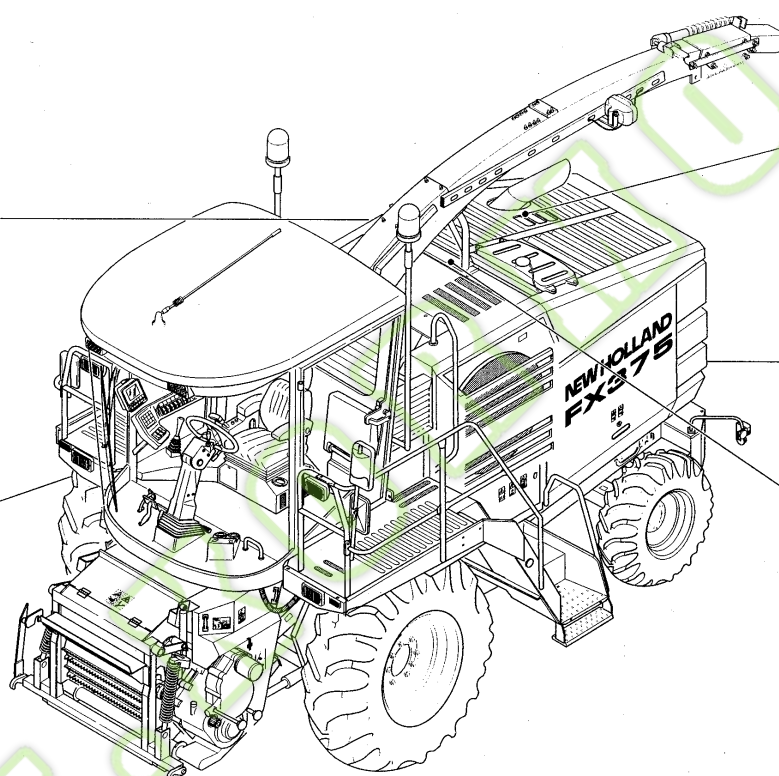


0.30.2

Fuel filter



1.22



Ref	Part Number	Qty	Description
<p>WWW.KORMO.BY</p>			

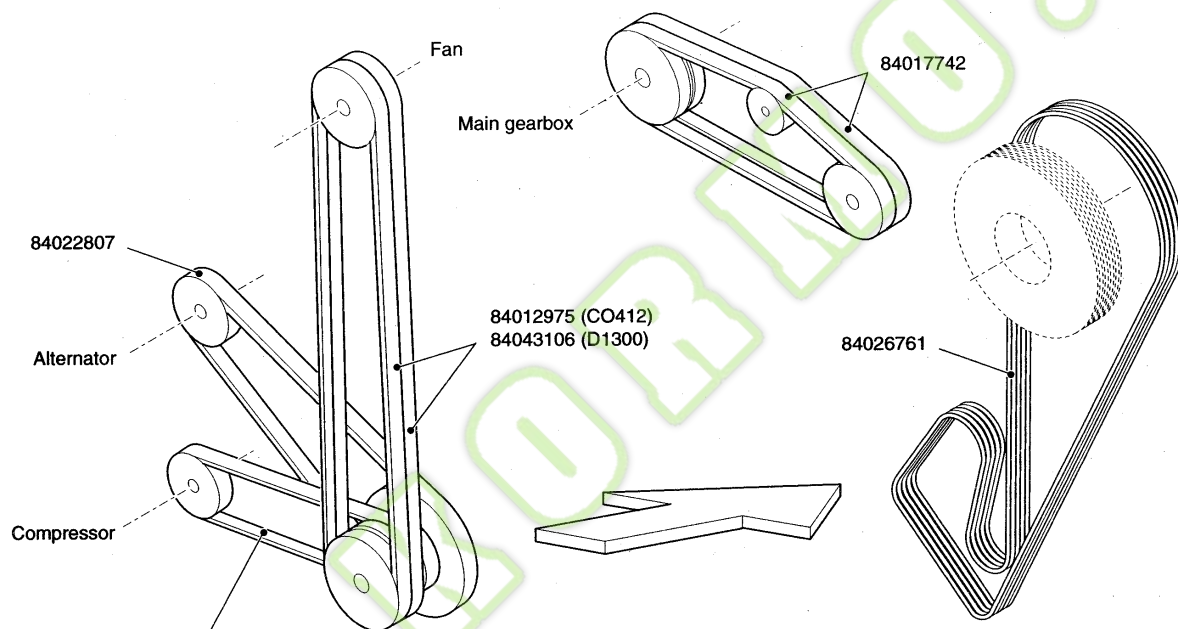


MAINTENANCE PARTS  
REPUESTOS POR MANUTENCION

PARTICOLARI PER LA MANUTENZIONE  
RESERVEDELE FOR VEDLIGEHOELSE

PIECES POUR L'ENTRETIEN  
PEÇAS PARA A MANUTENÇÃO

ERSATZTEILEN FUER DER WARTUNG  
AANBEVOLEN WISSELSTUKKEN



80747177 up to serial number 27/29/3005999  
89835815 from serial number 27/29/3006001

Ref	Part Number	Qty	Description
<p>WWW.KORMO.BY</p>			

SAFETY DECALS  
CALCOMANIAS DE SEGURIDAD

DECALCOMANIE DI SICUREZZA  
SIKKERHEIDSTRANSFERS

DECALCOMANIE DE SECURITE  
DECALCOMANIA (PORT)

SICHERHEITSAUFKLEBER  
VEILIGHEIDSLAKPLAATJES

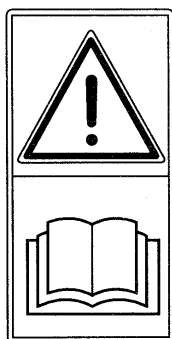
INSTRUCTIONS DECALS  
CALCOMANIAS DE INSTRUCCIONES

DECALCOMANIE DI ISTRUZIONI  
INSTRUKTIONSTRANSFERS

DECALCOMANIES D'INSTRUCTION

INSTRUKTIONENAUFKLEBER

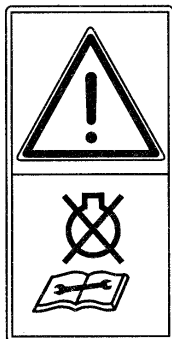
84004731



84004732



84004733



84004734



84004735



84004738



84004742



84004744

Background yellow



84011346



84005363

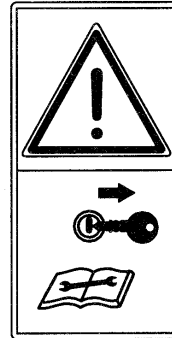


84012892



84012893

Background transparent



84014117



84015359



Ref	Part Number	Qty	Description
1	84004731	1	DECAL,
2	84004732	1	DECAL,
3	84004733	1	DECAL,
4	84004735	1	DECAL,
5	84004734	1	DECAL,
6	84004738	1	DECAL,
7	84004742	1	DECAL,
8	84004744	1	DECAL,
9	84011346	1	DECAL,
10	84005363	1	DECAL,
11	84012892	1	DECAL,
12	84012893	1	DECAL,
13	84014117	1	DECAL,
14	84015359	1	DECAL,

WWW.KORMO.BY

**SAFETY DECALS  
CALCOMANIAS DE SEGURIDAD**

**INSTRUCTIONS DECALS  
CALCOMANIAS DE INSTRUCCIONES**

**DECALCOMANIE DI SICUREZZA  
SIKKERHEIDSTRANSFERS**

**DECALCOMANIE DI ISTRUZIONI  
INSTRUKTIONSTRANSFERS**

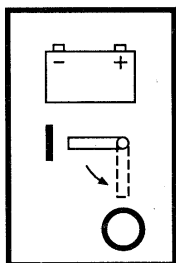
**DECALCOMANIE DE SECURITE  
DECALCOMANIA (PORT)**

**DECALCOMANIES D'INSTRUCTION**

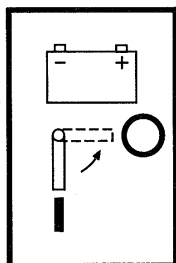
**SICHERHEITS-AUFKLEBER  
VEILIGHEIDSPAKPLAATJES**

**INSTRUKTIONENAUFKLEBER**

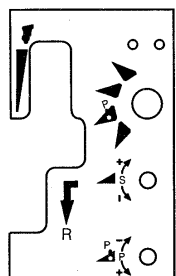
84015656



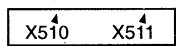
84026833



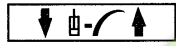
84018052



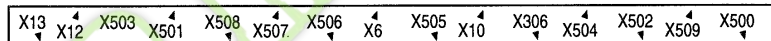
84001928



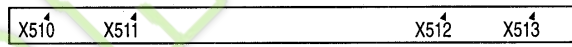
84001715



84001929



84002734



09815065



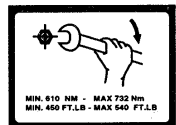
80922219



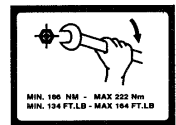
80922220



84011653



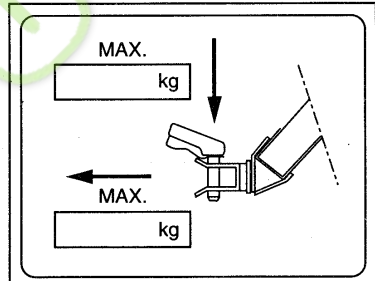
84011654



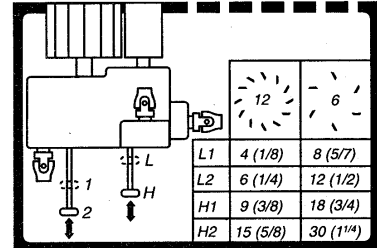
84011655



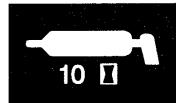
84018585



84022248



80266578



80266579



Ref	Part Number	Qty	Description
1	84015656	1	DECAL,
2	84026833	1	DECAL,
3	84018052	1	DECAL,
4	84001928	1	DECAL,
5	84001715	1	DECAL,
6	9815065	1	DECAL, {PP:89815065}
7	922219	1	DECAL, {PP:80922219}
8	922220	1	DECAL, {PP:80922220}
9	84001929	1	DECAL,
10	84002734	1	DECAL,
11	84011653	1	DECAL,
12	84011654	1	DECAL,
13	84011655	1	DECAL,
14	84018585	1	DECAL,
15	84022248	1	DECAL,
16	266578	1	DECAL, {PP:80266578}
17	266579	1	DECAL, {PP:80266579}

WWW.KORMO.BY

SAFETY DECALS  
CALCOMANIAS DE SEGURIDAD

DECALCOMANIE DI SICUREZZA  
SIKKERHEIDSTRANSFERS

DECALCOMANIE DE SECURITE  
DECALCOMANIA (PORT)

SICHERHEITSAUFKLEBER  
VEILIGHEIDSPAKPLAATJES

INSTRUCTIONS DECALS  
CALCOMANIAS DE INSTRUCCIONES

DECALCOMANIE DI ISTRUZIONI  
INSTRUKTIONSTRANSFERS

DECALCOMANIES D'INSTRUCTION

INSTRUKTIONENAUFKLEBER

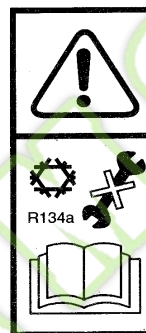
80449927



84011345



84012596



84021304



89821933



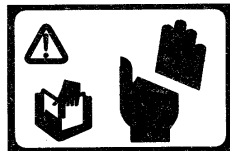
80136254



89806879



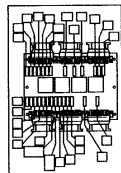
80450396



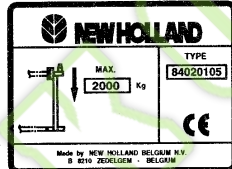
89513272



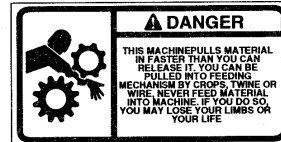
84022555



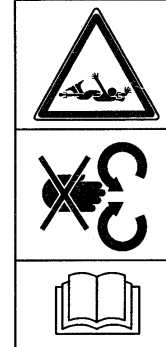
84023345



89806448



86520062



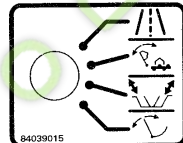
80849471



84039535



84039015



89806449



Ref	Part Number	Qty	Description
1	449927	1	DECAL, {PP:80449927}
2	84011345	1	DECAL,
3	84012596	1	DECAL,
4	84021304	1	DECAL,
5	9821933	1	DECAL, {PP:89821933}
6	136254	1	DECAL, {PP:80136254}
7	9806879	1	DECAL, {PP:89806879}
8	450396	1	DECAL, {PP:80450396}
9	89513272	1	DECAL,
10	84022555	1	DECAL,
11	84023345	1	DECAL,
12	9806448	1	DECAL, {PP:89806448}
13	86520062	1	DECAL,
14	849471	1	DECAL, {PP:80849471}
15	84039535	1	DECAL,
16	84039015	1	DECAL,
17	9806449	1	DECAL, {PP:89806449}



COMMERCIAL DECALS  
CALCOMANIAS DE IDENTIFICACION

DECALCOMANIE COMMERCIALE  
HANDELSTRANSFERS

DECALCOMANIES COMMERCIALE  
DECALCOMANIA

KENNZEICHENAUFKLEBER  
COMMERCIELE PLAKPLAATJES

ONLY VALID UNTIL SERIAL No. \_\_08999

1 : 84001862

**FX300**

84001863

**FX375**

84001864

**FX450**

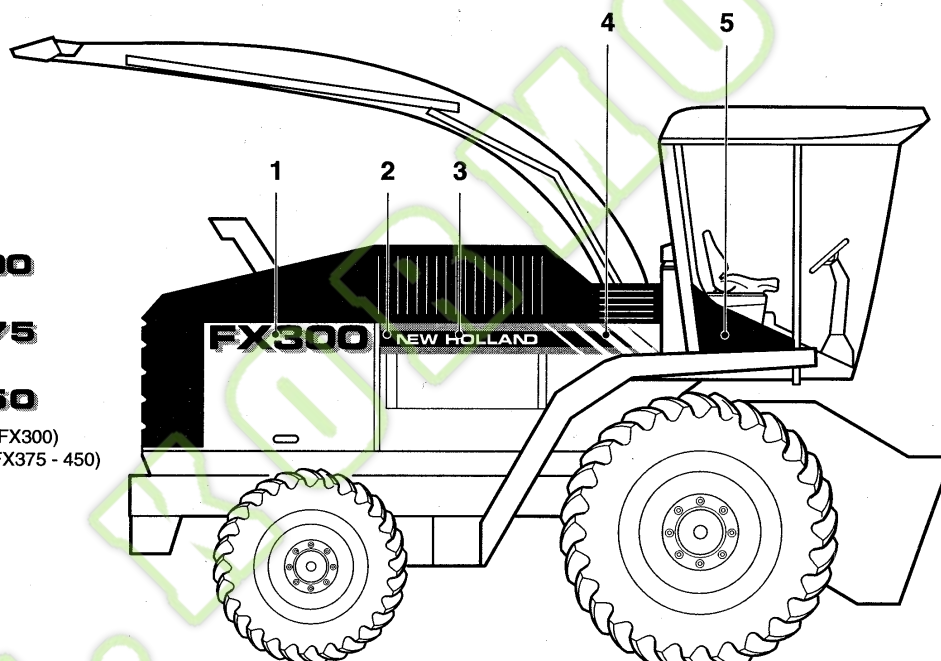
2 : 84019221 ((FX300)

84023553 (FX375 - 450)

3 : 84001999

4 : 84019219

5 : 89506099



FX375 NH SELF PROPELLED FORAGE HARVESTER - YELLOW VERSION

0.0022(1) COMMERCIAL DECALS

Ref	Part Number	Qty	Description
1	84001862	1	DECAL, FX300
1	84001863	1	DECAL, FX375
1	84001864	1	FX450
2	84019221	1	DECAL, FX300
2	84023553	1	FX375-450
3	84001999	1	DECAL,
4	84019219	1	DECAL,
5	89506099	1	DECAL,

WWW.KORMO.BY



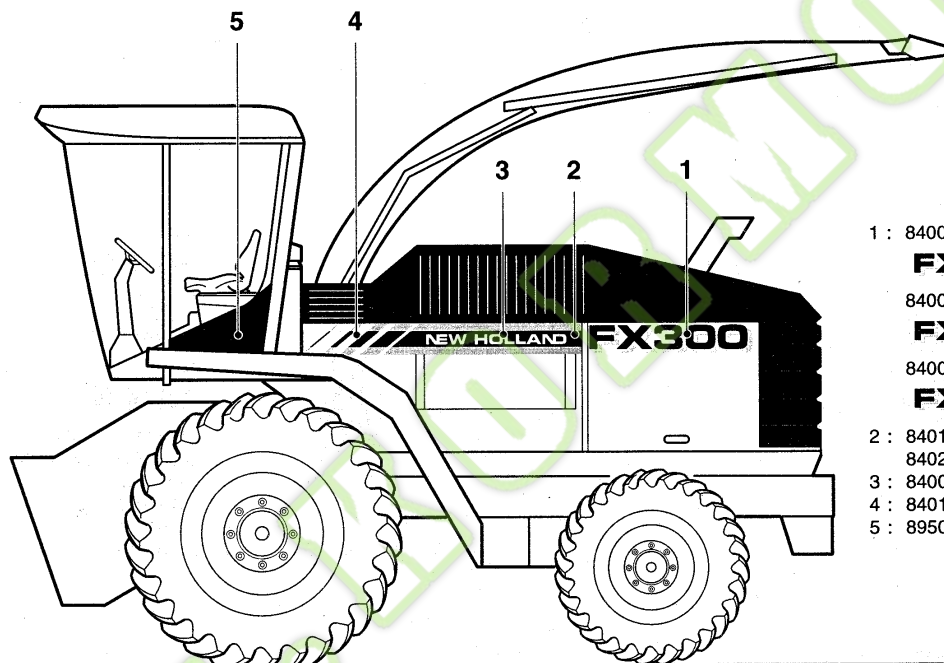
COMMERCIAL DECALS  
CALCOMANIAS DE IDENTIFICACION

DECALCOMANIE COMMERCIALE  
HANDELSTRANSFERS

DECALCOMANIES COMMERCIALE  
DECALCOMANIA

KENNZEICHENAUFKLEBER  
COMMERCIELE PLAKPLAATJES

ONLY VALID UNTIL SERIAL No. \_\_08999



- 1 : 84001862  
**FX300**  
84001863  
**FX375**  
84001864  
**FX450**
- 2 : 84019221 (FX300)  
84023553 (FX375 - FX450)
- 3 : 84001865
- 4 : 84019220
- 5 : 89506100

FX375 NH SELF PROPELLED FORAGE HARVESTER - YELLOW VERSION

0.0023(1) COMMERCIAL DECALS

Ref	Part Number	Qty	Description
1	84001862	1	DECAL, FX300
1	84001863	1	DECAL, FX375
1	84001864	1	FX450
2	84019221	1	DECAL, FX300
2	84023553	1	FX375-450
3	84001865	1	DECAL,
4	84019220	1	DECAL,
5	89506100	1	DECAL,

WWW.KORMO.BY



COMMERCIAL DECALS  
CALCOMANIAS DE IDENTIFICACION

DECALCOMANIE COMMERCIALE  
HANDELSTRANSFERS

DECALCOMANIES COMMERCIALE  
DECALCOMANIA

KENNZEICHENAUFKLEBER  
COMMERCIELE PLAKPLAATJES

ONLY VALID FROM SERIAL No. \_\_09001

1 : 84002632

**FX300**

84002631

**FX375**

84002630

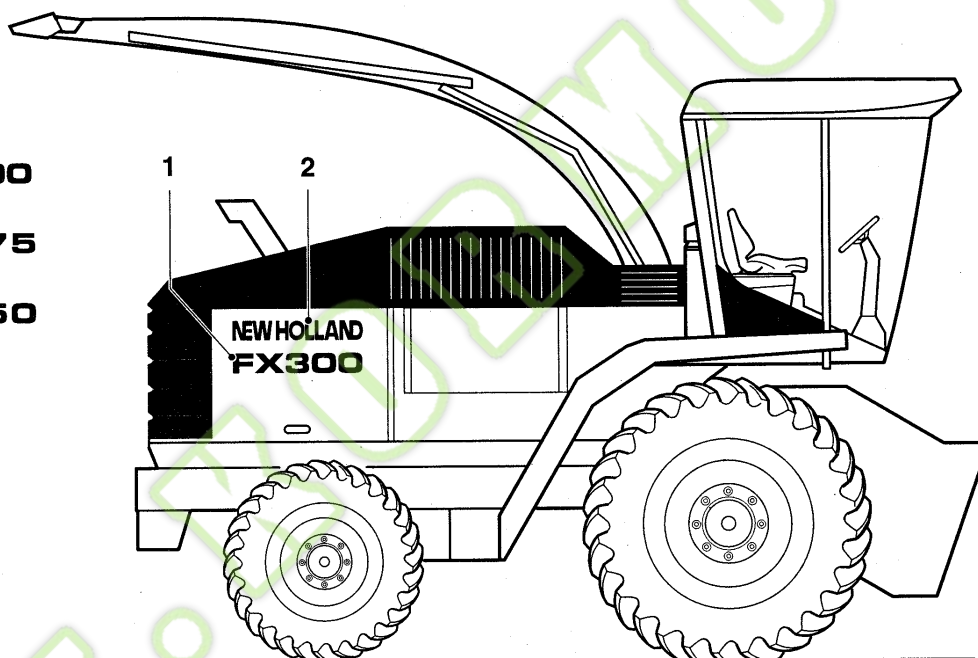
**FX450**

2 : 84002633

3 : 84002583



4 : 84002667



FX375 NH SELF PROPELLED FORAGE HARVESTER - YELLOW VERSION

0.0026(1) COMMERCIAL DECALS

Ref	Part Number	Qty	Description
1	84002632	1	DECAL, FX300
1	84002631	1	DECAL, FX375
1	84002630	1	DECAL, FX450
2	84002633	1	DECAL,
3	84002583	1	EMBLEM,
4	84002667	1	DECAL,

WWW.KORMO.BY



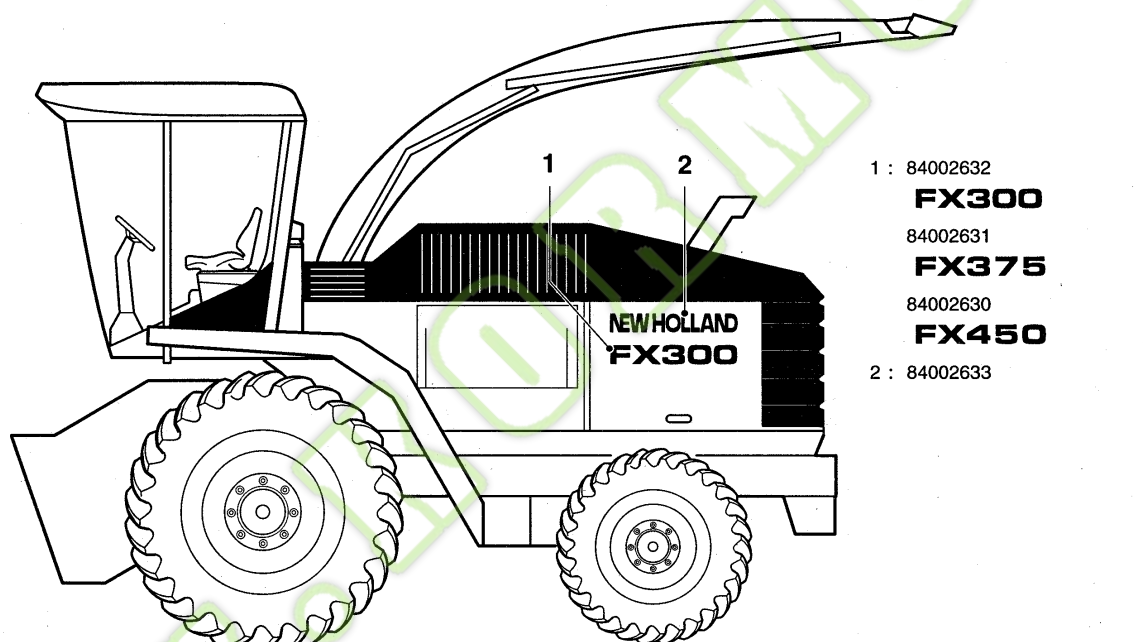
COMMERCIAL DECALS  
CALCOMANIAS DE IDENTIFICACION

DECALCOMANIE COMMERCIALE  
HANDELSTRANSFERS

DECALCOMANIES COMMERCIALE  
DECALCOMANIA

KENNZEICHENAUFKLEBER  
COMMERCIELE PLAKPLAATJES

ONLY VALID FROM SERIAL No. \_\_09001



1 : 84002632

**FX300**

84002631

**FX375**

84002630

**FX450**

2 : 84002633

FX375 NH SELF PROPELLED FORAGE HARVESTER - YELLOW VERSION

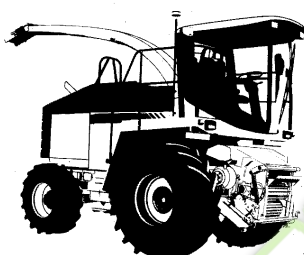
0.0027(1) COMMERCIAL DECALS

Ref	Part Number	Qty	Description
1	84002632	1	DECAL, FX300
1	84002631	1	DECAL, FX375
1	84002630	1	DECAL, FX450
2	84002633	1	DECAL,

WWW.KORMO.BY



SYMBOL SHOWING THE RUN DIRECTION OF THE MODEL - SIMBOLO CHE INDICA IL SENSO DI MARCIA DEL MODELLO  
 SYMBOLE INDIQUANT LA DIRECTION DE MARCHÉ DU MODELE - SYMBOL FUER DIE RICHTUNG DER MODELL



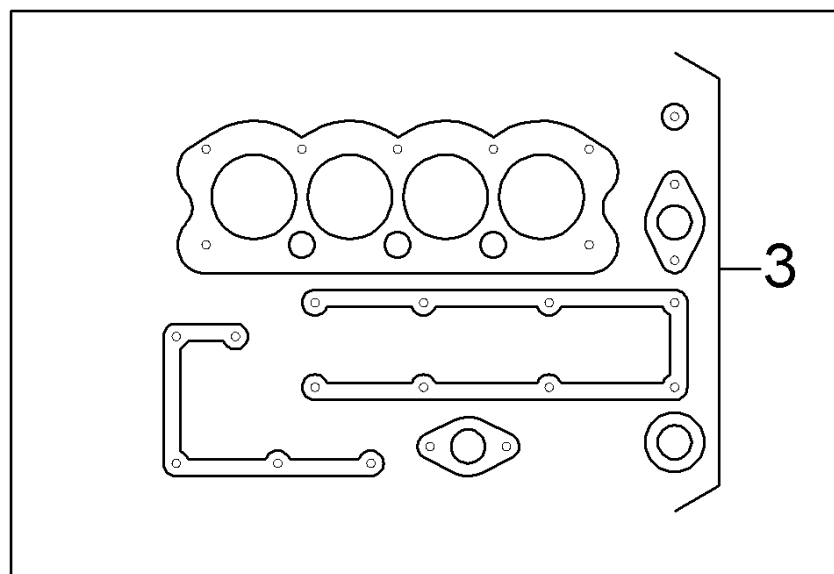
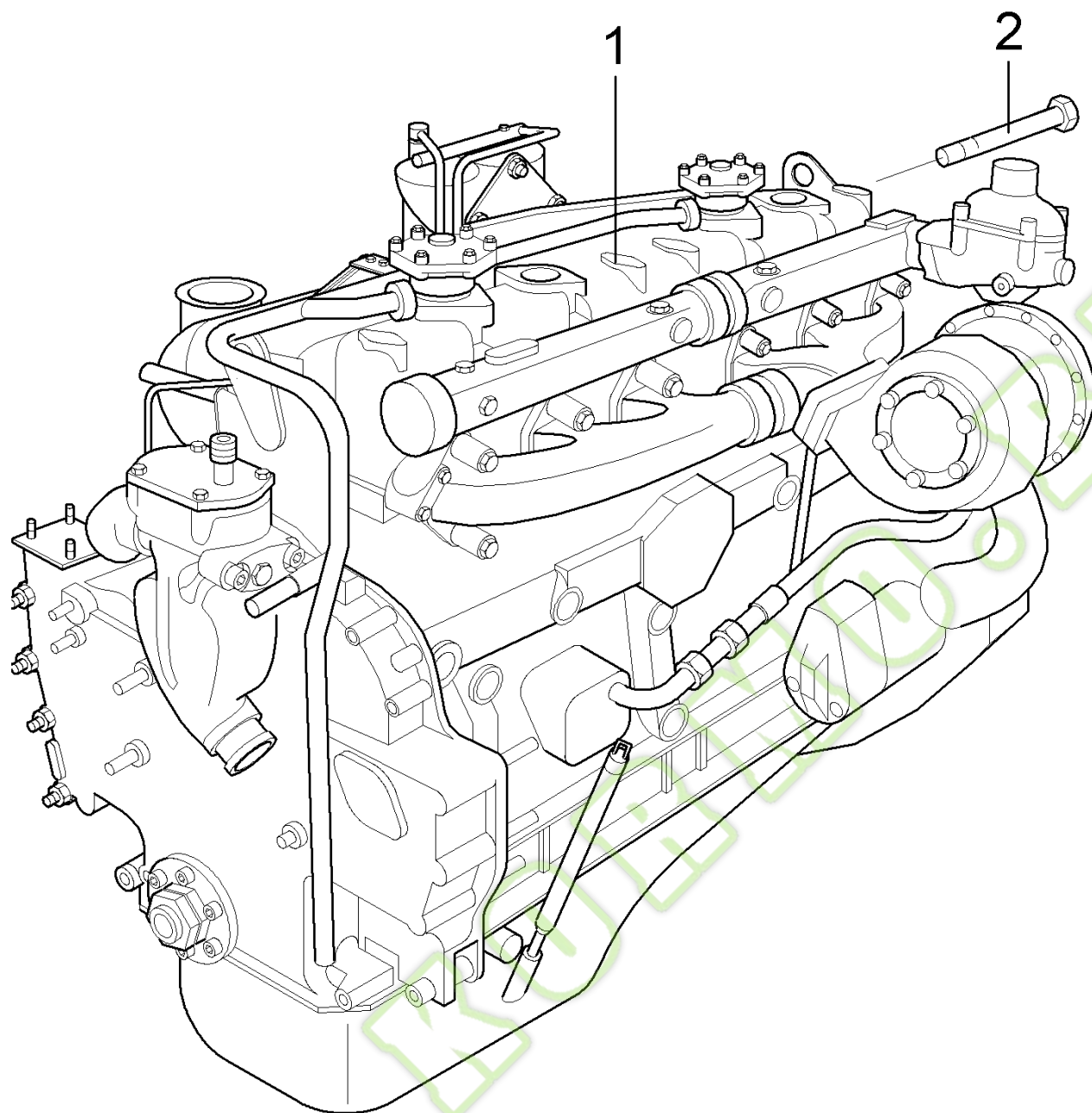
- ADDITIONAL DESCRIPTIONS - DESCRIZIONI AGGIUNTIVE -  
 - DESCRIPTIONS SUPPLEMENTAIRES - ZUSÄTZLICHE BEZEICHNUNGEN -

ABBREV.	ENGLISH	ITALIANO	FRANCAIS	DEUTSCH
AR	AS REQUIRED	SECUNDO NECESSITA	SELON BESOIN	NACH BEDARF
NS	NOT SERVICED	NON DISPONIBILE	N'EST PAS DISPONIBLE	NICHT LIEFERBAR
NSS	NOT SERVICED SEPARATELY	NON DISPONIBILE SEPARATAMENTE	N'EST PAS DISPONIBLE SEPARAMENT	NICHT SEPARAT LIEFERBAR
INCL. (2,3)	INCLUDES	COMPRENDE	COMPREND	ENTHÄLT
LH	LEFT HAND	COMPRENDE	COMPREND	ENTHÄLT
RH	RIGHT HAND	LATO SINISTRO	COTE GAUCHE	LINKS
SEE GROUP	SEE GROUP	LATO DESTRO	COTE DROIT	RECHTS
THK.	THICKNESS	VEDERE GRUPPO	VOIR GROUPE	SIEHE GRUPPE
Ø	DIAMETER	SPESSORE	EPAISSEUR	STÄRKE
I.D.	INSIDE DIAMETER	DIAMETRO	DIAMETRE	DURCHMESSER
O.D.	OUTSIDE DIAMETER	DIAMETRO INTERNO	DIAMETRE INTERIEUR	INNENDURCHMESSER
ACC	ACCESSORY	DIAMETRO ESTERNO	DIAMETRE EXTERIEUR	AUSSENDURCHMESSER
OPT	OPTIONS	ACCESSORI	ACCESSOIRE	ZUBEHÖR
P.T.O.	POWER TAKE-OFF	A RICHIESTA	FACULTATIF	WAHLWEISE
T	TEETH	PRESA DI FORZA	PRISE DE FORCE	ZAPFWELLE
L	LENGHT	DENTI	DENTS	ZÄHMEN
FRONT	FRONT	LUNGO	LONG	LANG
REAR	REAR	ANTERIORE	AVANT	VORN
R.T.A.	FULL WIDTH RECTRACTABLE FINGERS	POSTERIORE	ARRIERE	HINTERE
H.F.	HARD FACED	DITI RETRETTILI SU TUTTA LA LARGHEZZA	DOIGTS ESCAMOTABLES SUR TOUTE LA LARGEUR	EINZIEHFINGERN ÜBER DIE VOLLE BREITE
WITH	WITH	COCLEA TEMPRA	VIS TREMPÉ	GEHÄRTE SCHNECKE
WITHOUT	WITHOUT	CON	AVEC	MIT
		SENZA	SANS	OHNE

0.0030(1) ADDITIONAL DESCRIPTIONS

Ref	Part Number	Qty	Description
<p>WWW.KORMO.BY</p>			



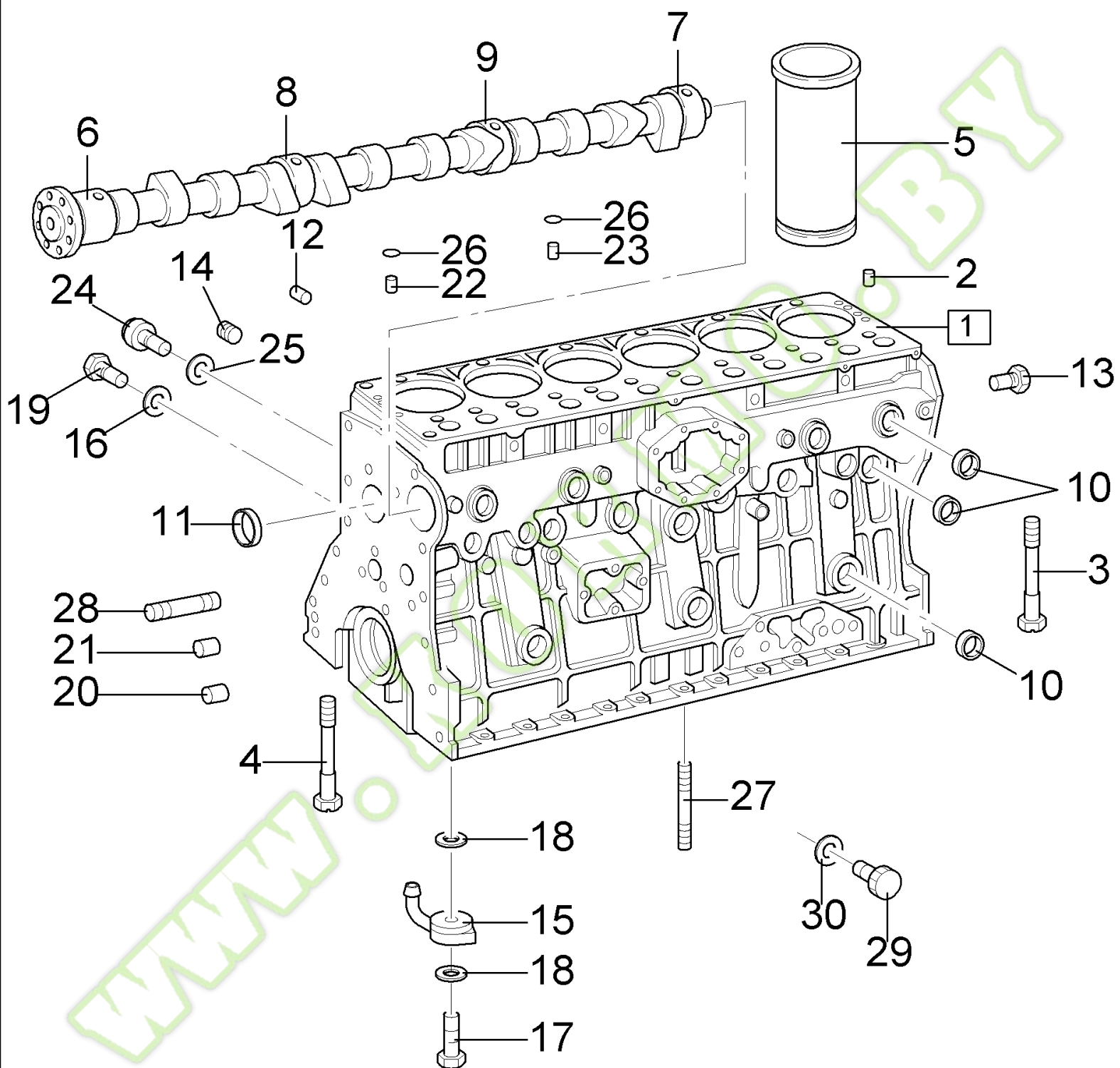


## FX375 NH SELF PROPELLED FORAGE HARVESTER - YELLOW VERSION

## 0.02.1(01) COMPLETE ENGINE

Ref	Part Number	Qty	Description
1	84015661	1	ENGINE, , FOR FX300/9630 ONLY
1	84015342	1	ENGINE, , FOR FX375/9640 ONLY
1	89833418	1	ENGINE, , FOR FX450/9645 ONLY
2	4832252	3	SCREW,
3	1940130	1	KIT, ENGINE GASKET, , SEE MAINTENANCE PARTS P.29.3
3	1940131	1	KIT, ENGINE TOP GASKETS, , SEE MAINTENANCE PARTS P.29.3

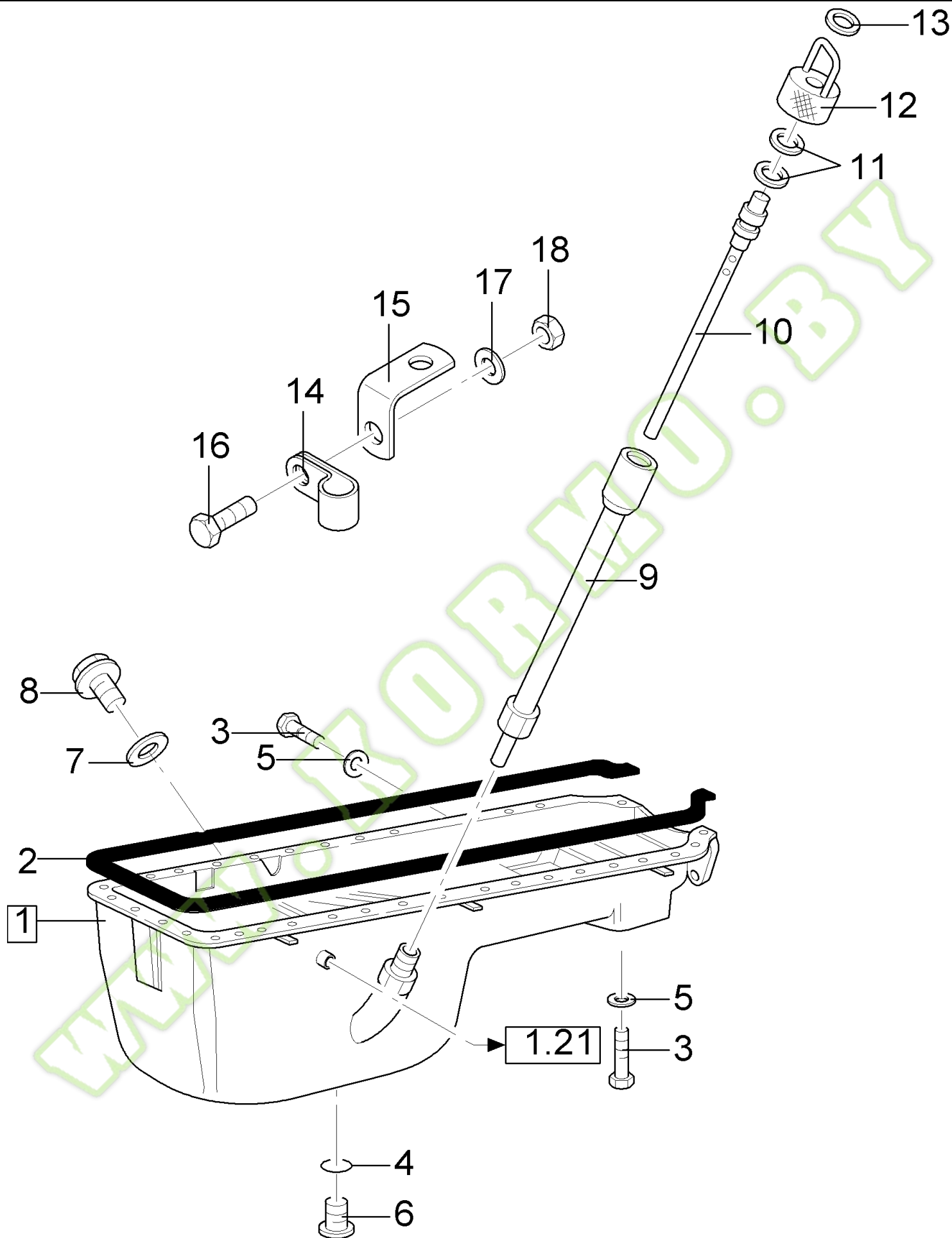
WWW.KORMO.BY



## FX375 NH SELF PROPELLED FORAGE HARVESTER - YELLOW VERSION

## 0.04.0(01) CRANKCASE

Ref	Part Number	Qty	Description
1	99441795	1	CYLINDER BLOCK, (2 TO 14,16,19), FOR FX300-375/9630-9640 ONLY
1	99441796	1	CYLINDER BLOCK, (2 TO 14,16,19), FOR FX450/9645 ONLY
2	851425	2	PIN, ROLL,
3	4769168	12	SCREW, L:185MM
4	4827152	2	SCREW, L:220MM
5	4622074	6	LINER, ENGINE CYLINDER, STANDARD
5	4622379	6	LINER, ENGINE CYLINDER, +0.25
5	4679653	6	LINER, ENGINE CYLINDER, +0.05
6	4668570	1	BUSHING, FRONT
7	4573049	1	BUSHING, REAR
8	4668063	1	BUSHING, FRONT
9	4668064	1	BUSHING, REAR
10	16991170	20	PLUG, D=36
11	14283370	2	PLUG, D=63
12	14326150	4	PLUG, M8X1.25
13	14325501	1	PLUG, M8X1.5
14	16997411	1	PLUG, M16X1.5
15	4833421	1	NOZZLE, LUB. OIL JET, (16)
16	98458415	2	WASHER, SEALING, 28X36X2
17	4775503	6	BOLT, BANJO,
18	4700613	12	LINING, SUPPORT,
19	10278301	2	PLUG, 28X15
20	4533969	1	DOWEL, 12X38
21	10837810	3	DOWEL, 12X30
22	99432168	2	DOWEL,
23	4663640	2	DOWEL, D=12
24	4665029	1	PLUG, M42X1.5
25	10265460	1	GASKET, 49X42X1.5
26	14452781	2	GASKET, -010, CI 7, .239" ID x .070" Thk,
27	13516821	2	STUD, M8X12X20
28	11797124	1	STUD, M14X20X25
29	16992211	1	PLUG, M12X1.5, FOR FX300-375/9630-9640 ONLY
30	4858607	1	GASKET, 12X17X1.5, FOR FX300-375/9630-9640 ONLY

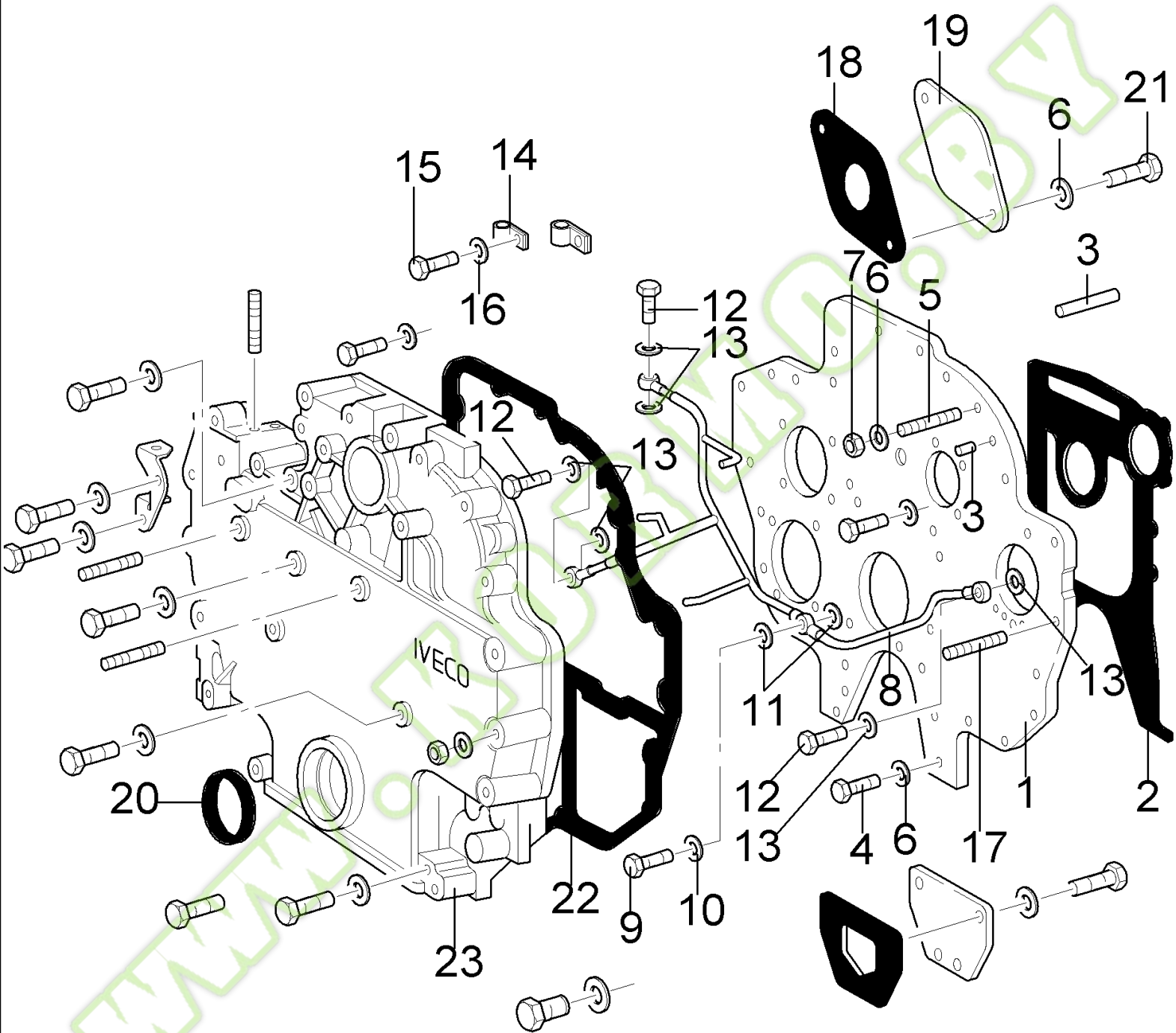


## FX375 NH SELF PROPELLED FORAGE HARVESTER - YELLOW VERSION

## 0.04.2(01) OIL SUMP

Ref	Part Number	Qty	Description
1	4803020	1	PAN, ENGINE OIL, (4,6)
2	98493262	1	GASKET,
3	10929824	36	SCREW, M10X60
3	16204524	5	SCREW, Hex, M10 x 35, M10X35
4	14457681	1	O-RING, -118, CI 7, .862" ID x .103" Thk,
5	11190574	41	WASHER, LOCK, Belleville, M10.5, 10MM
6	98491299	1	PLUG,
7	4858607	1	GASKET,
8	11903274	1	PLUG,
9	99480719	1	TUBE, RIGID,
10	99480712	1	DIPSTICK,
11	4854896	2	GASKET,
12	4882777	1	PLUG,
13	16865073	1	RING, LOCKING,
14	711051	1	CLAMP, {PP:80711051}
15	84043472	1	BRACKET,
16	43127	1	BOLT, {PP:80043127} Hex, M8 x 25, 8.8, M8X25
17	322358	1	WASHER, LOCK, {PP:80322358} Belleville, M8, 8MM
18	100015	1	NUT, {PP:80100015} M8, CI 8, M8

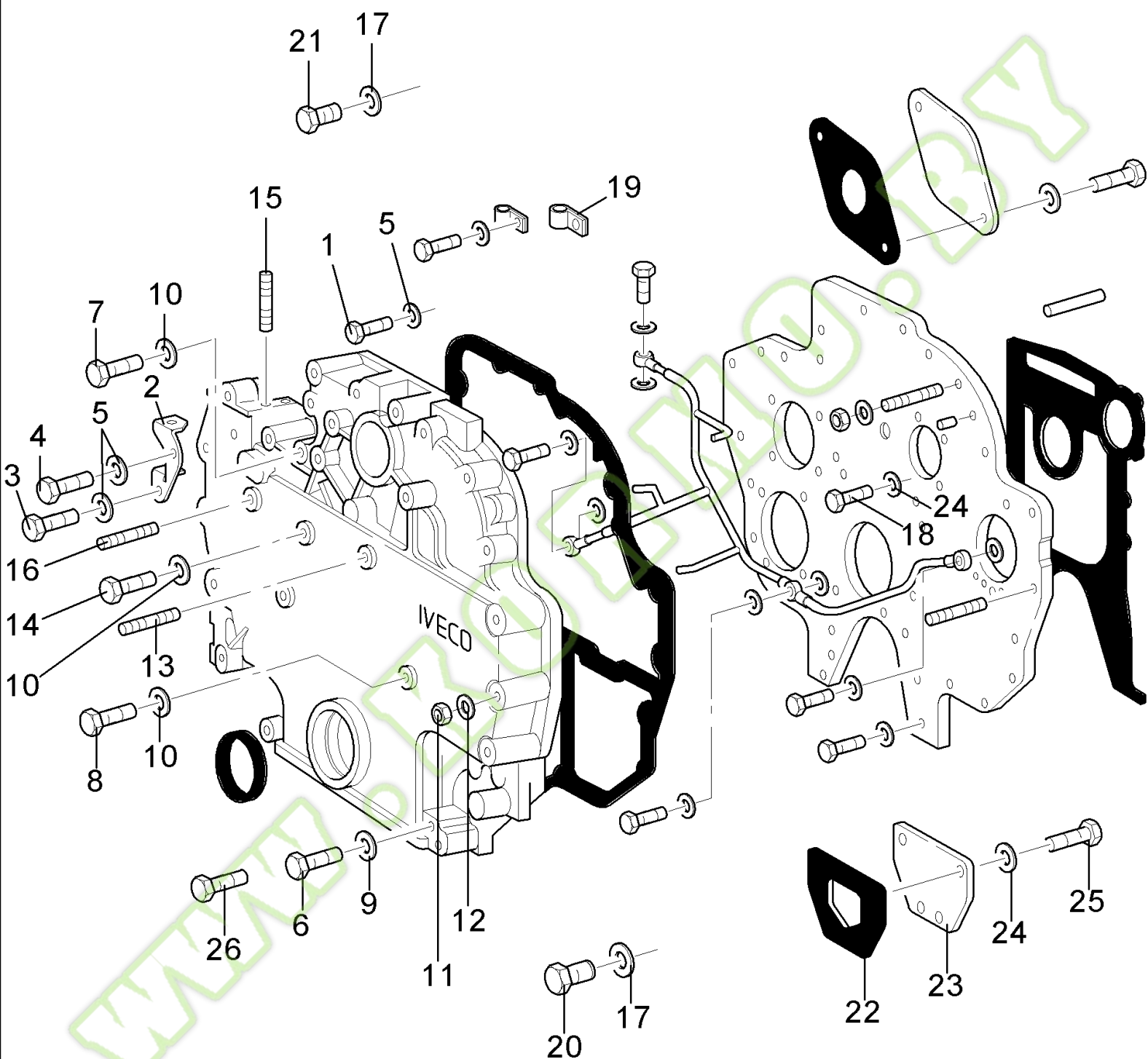




## FX375 NH SELF PROPELLED FORAGE HARVESTER - YELLOW VERSION

## 0.04.3(01) ENGINE COVERS &amp; GASKETS

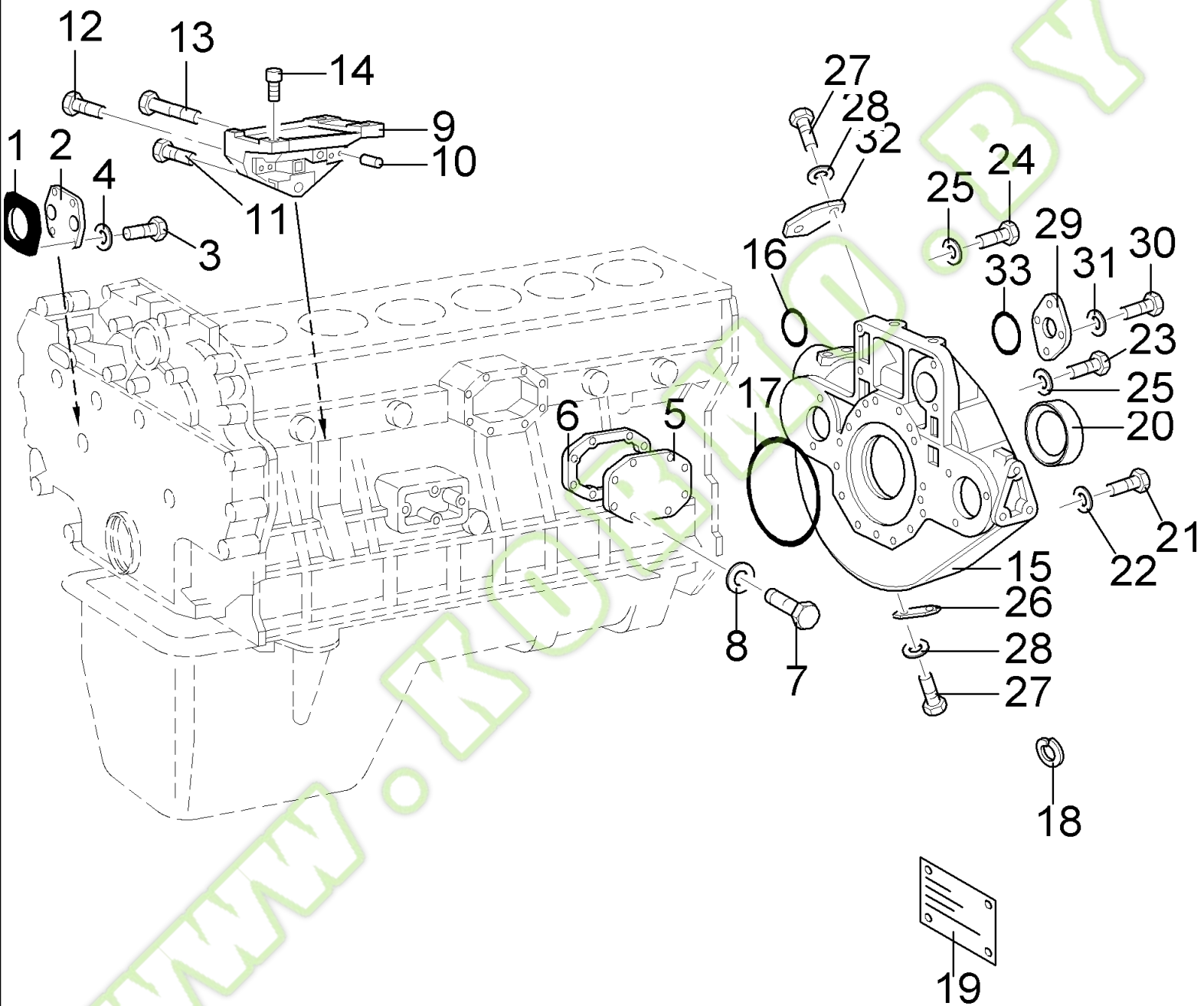
Ref	Part Number	Qty	Description
1	99430209	1	PLATE,
2	99431449	1	GASKET,
3	10837810	1	DOWEL, 12X30
4	15970730	9	SCREW, Hex, M10 x 1.25 x 25, 10.9, Full Thd, M10X25
5	13449330	2	STUD, M10X20
6	11198374	15	WASHER, LOCK, Belleville, M10.5, 10MM
7	12164721	2	NUT, M10 x 1.25, CI 10, M10
8	500302886	1	TUBE, RIGID,
9	4679620	1	BOLT, BANJO,
10	852409	1	WASHER,
11	4858606	2	GASKET,
12	4707984	2	BOLT, BANJO,
13	10262760	4	GASKET,
14	563678	1	COLLAR, RETAINER,
15	16042921	1	SCREW, Hex, M8 x 10, 8.8, Full Thd, M8X10
16	10519601	1	WASHER, M8 x 17 x 2,
17	98471171	6	STUD, L:166MM
18	98424208	1	GASKET,
19	4773932	1	COVER,
20	98467211	1	GASKET,
21	15970624	1	SCREW, Hex, M10 x 1.25 x 22, 8.8, Full Thd,
22	98476488	1	GASKET,
23	500302069	1	COVER,



## FX375 NH SELF PROPELLED FORAGE HARVESTER - YELLOW VERSION

## 0.04.3(03) COVERS

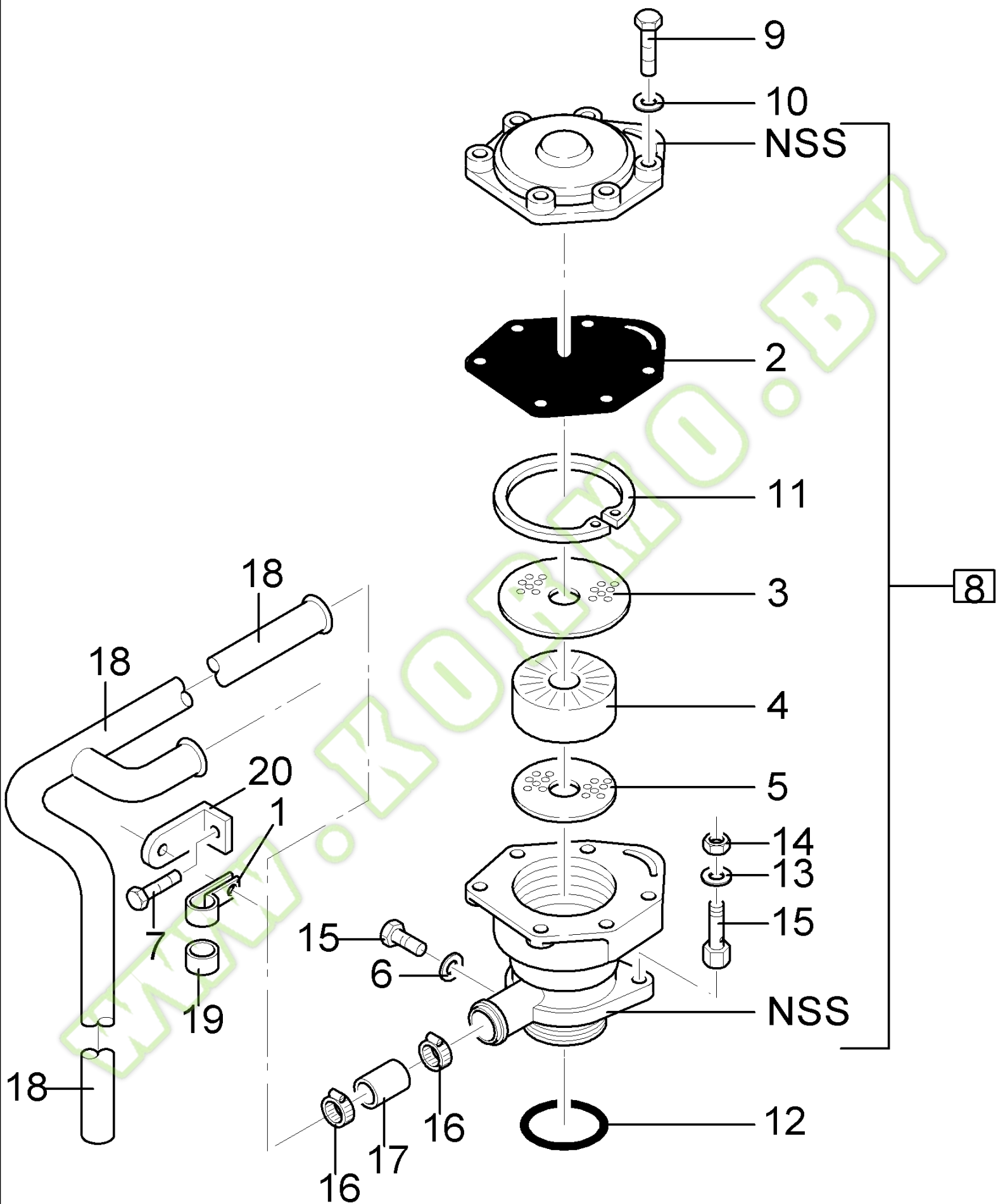
Ref	Part Number	Qty	Description
2	98462000	1	BRACKET,
3	16044621	3	SCREW, Hex, M8 x 70, 8.8, M8X70
4	16045124	3	SCREW, Hex, M8 x 95, 8.8, M8X95
5	10519624	15	WASHER, M8 x 17 x 2, 8MM
6	15971721	1	SCREW, Hex, M10 x 1.25 x 95, 8.8, M10X95
7	15972424	2	SCREW, Hex, M10 x 1.25 x 130, 8.8, M10X130
8	15972821	1	SCREW, Hex, M10 x 1.25 x 150, 8.8, M10X150
9	12642401	2	WASHER, M10 x 20 x 1, 10MM
10	11190574	3	WASHER, LOCK, Belleville, M10.5, 10MM
11	12163921	6	NUT, M12 x 1.5, CI 10, M12
12	12646904	6	WASHER, M12 x 28 x 3, 12MM
13	13453721	3	STUD,
14	11343724	1	SCREW, Hex, M10 x 1.25 x 65, 8.8, Cap, HH, M10 x 1,25 x 65
15	13449424	4	STUD, M10X22
16	13552521	2	STUD,
17	98429280	2	GASKET, 20MM
18	14420131	2	SCREW, Hex Soc Hd, M10 x 25, 10.9, M10X25
19	4656139	1	CLIP, HOSE,
20	98436549	1	PLUG, M20
21	8007695	1	PLUG, M20X1
22	4864032	1	GASKET,
23	4687341	1	COVER,
24	11198374	15	WASHER, LOCK, Belleville, M10.5,
25	16204524	3	SCREW, Hex, M10 x 35, M10X35
26	15971424	1	SCREW, Hex, M10 x 1.25 x 80, 8.8, M10X80
1	16044524	9	SCREW, Hex, M8 x 65, 8.8, M8X65
25	15970524	1	SCREW, Hex, M10 x 1.25 x 20, 8.8, Full Thd, M10X20



## FX375 NH SELF PROPELLED FORAGE HARVESTER - YELLOW VERSION

## 0.04.3(05) ENGINE COVERS &amp; GASKETS

Ref	Part Number	Qty	Description
1	98424208	1	GASKET,
2	4773932	1	COVER,
3	15970624	2	SCREW, Hex, M10 x 1.25 x 22, 8.8, Full Thd, M10X20
4	11190574	2	WASHER, LOCK, Belleville, M10.5, 10MM
5	4530113	1	COVER,
6	4863958	1	GASKET,
7	10902224	8	SCREW, Hex, M6 x 16, 8.8, Full Thd, Cap, HH, CL 8.8, M6 x 1 x 16
8	11197774	8	WASHER, LOCK, Belleville, M6.4,
9	4643582	1	INJECTION PUMP SUPPORT,
10	10837710	2	DOWEL,
11	16326521	1	SCREW, M12X45
12	16326824	2	SCREW, M12X60
13	16327024	1	SCREW, M12X70
14	4626942	2	BUSHING,
15	99481101	1	COVER,
16	98464890	1	GASKET, D=74
17	98464798	1	GASKET, D=274
18	12649624	1	WASHER, LOCK,
19	61315660	1	OPERATOR TIMING REF/INDE,
20	98467213	1	GASKET,
21	15540734	10	SCREW, Hex, M12 x 1.25 x 45, 10.9, M12X45
22	4837398	10	WASHER, 12MM
23	15860131	1	SCREW, Hex, M14 x 1.5 x 50, 10.9, M14X50
24	15977531	3	SCREW, Hex, M14 x 1.5 x 60, 10.9, M14X60
25	4604279	4	WASHER,
26	4749426	1	PLATE, COVER,
28	11193874	4	WASHER, LOCK, Belleville, M8.4, 8MM
29	4651691	1	COVER,
30	15970724	1	SCREW, Hex, M10 x 1.25 x 25, 8.8, Full Thd, Cap, HH, CL 8.8, M10 x 1.25 x 25
31	11190574	1	WASHER, LOCK, Belleville, M10.5, 10MM
32	4935929	1	COVER,
33	14459781	1	O-RING, -139, CI 7, 2.175" ID x .103" Thk,
27	16043224	4	SCREW, Hex, M8 x 16, 8.8, Full Thd, M8X16

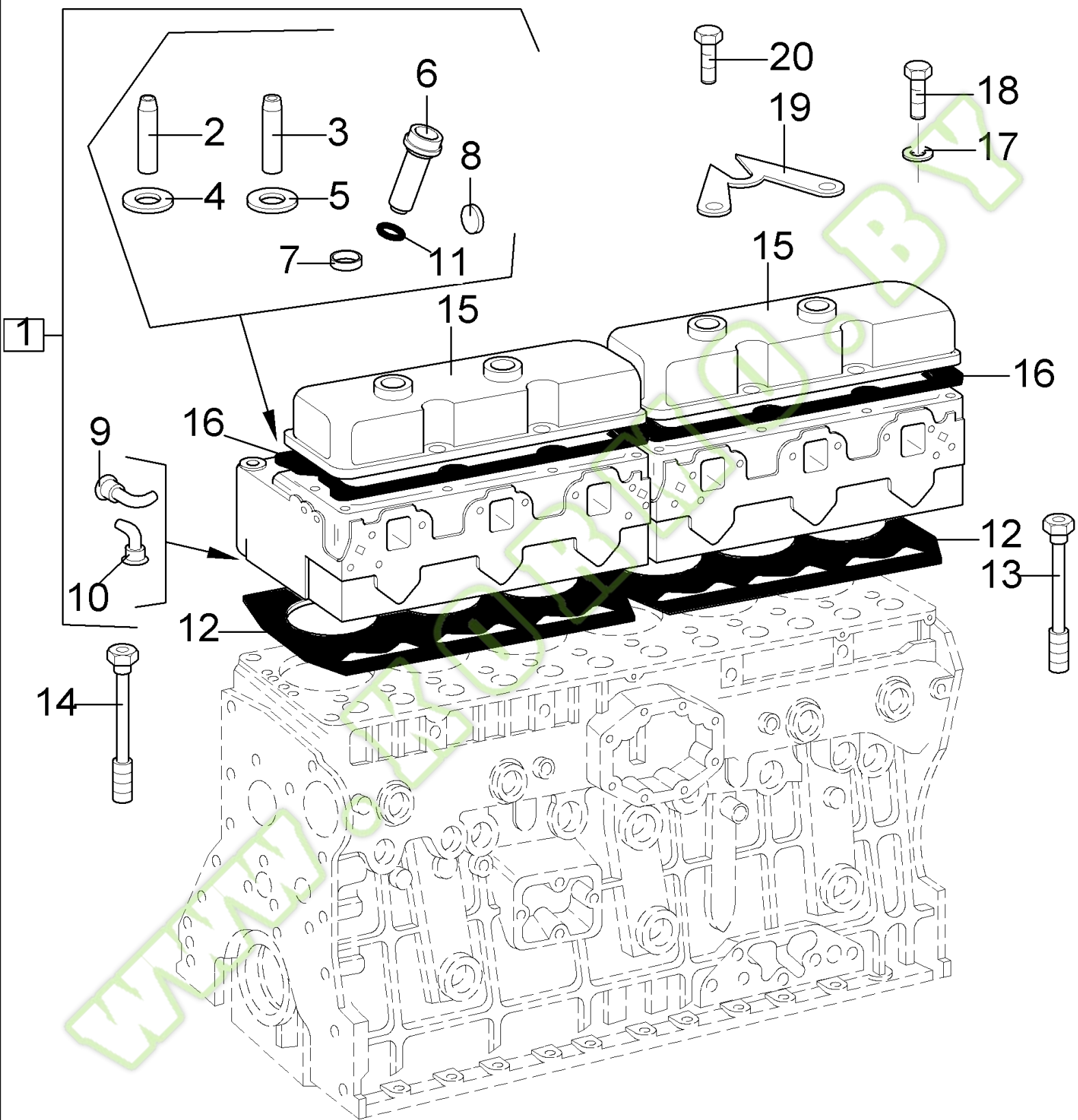


## FX375 NH SELF PROPELLED FORAGE HARVESTER - YELLOW VERSION

## 0.04.5(01) BREATHERS

Ref	Part Number	Qty	Description
1	4760226	1	BRACKET,
2	4771078	2	MEMBRANE,
3	4771080	2	PLATE, BASE,
4	4771079	2	FILTER, ELEMENT,
5	4771081	2	PLATE, BASE,
6	10296360	1	GASKET, M10.2 x 1 x 5, Copper,
7	16044621	1	SCREW, Hex, M8 x 70, 8.8, M8X70
8	4816603	2	BREATHER, (2 TO 5)
9	10902824	12	SCREW, 1/4" x 1 1/4",
10	10519404	12	WASHER, M6 x 11.95 x 1.6,
11	11062176	2	RING, LOCKING,
12	14464281	2	O-RING, -224, CI 7, 1.734" ID x .139" Thk,
13	12646704	4	WASHER, M8 x 20 x 2,
14	16100821	4	NUT, M8, CI 10,
15	11903111	3	PLUG,
16	13000490	2	CLIP, HOSE,
17	99462894	2	HOSE,
18	99462895	1	TUBE, RIGID,
19	4747140	1	PAD,
20	99462893	1	SUPPORT,

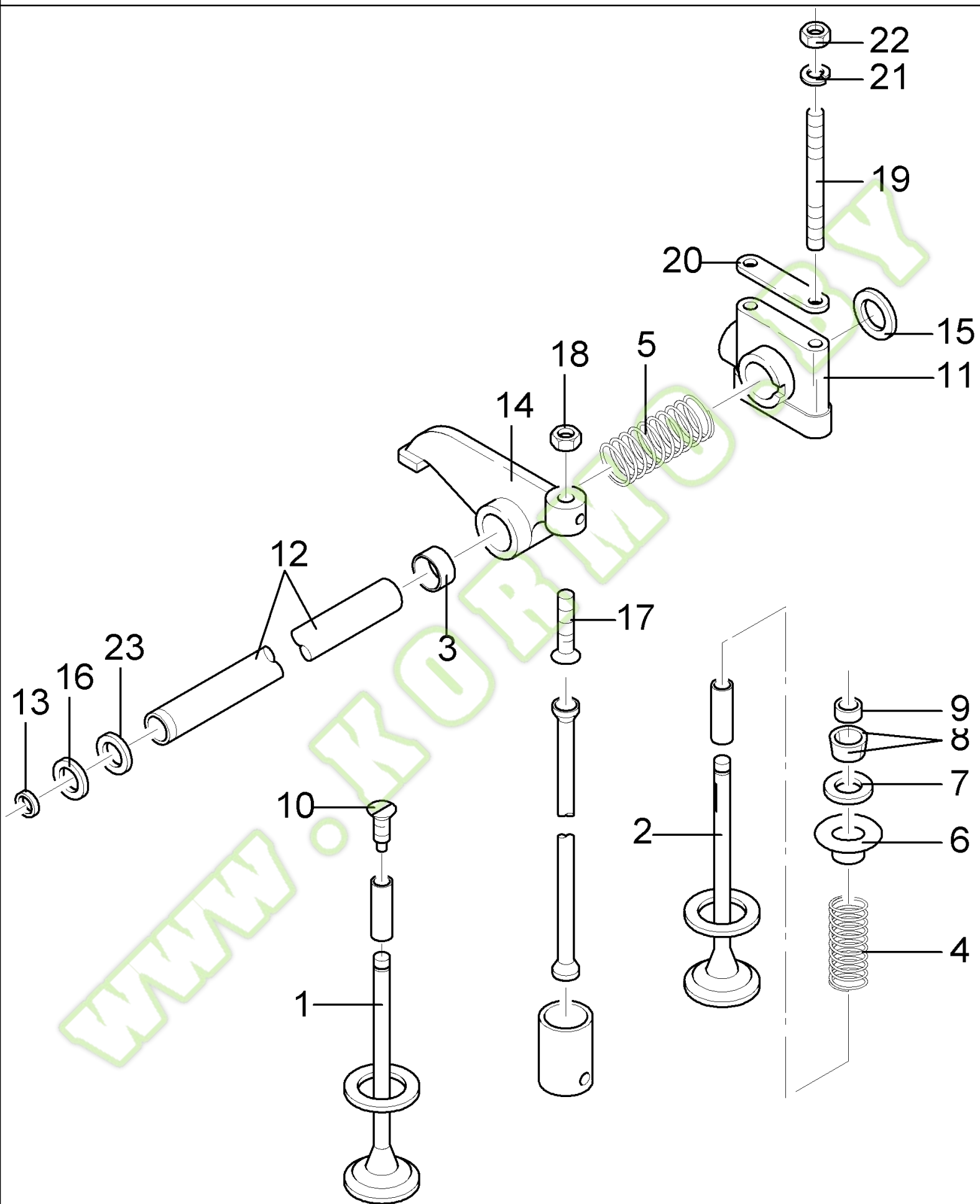




## FX375 NH SELF PROPELLED FORAGE HARVESTER - YELLOW VERSION

## 0.06.0(01) CYLINDER HEAD - COVERS

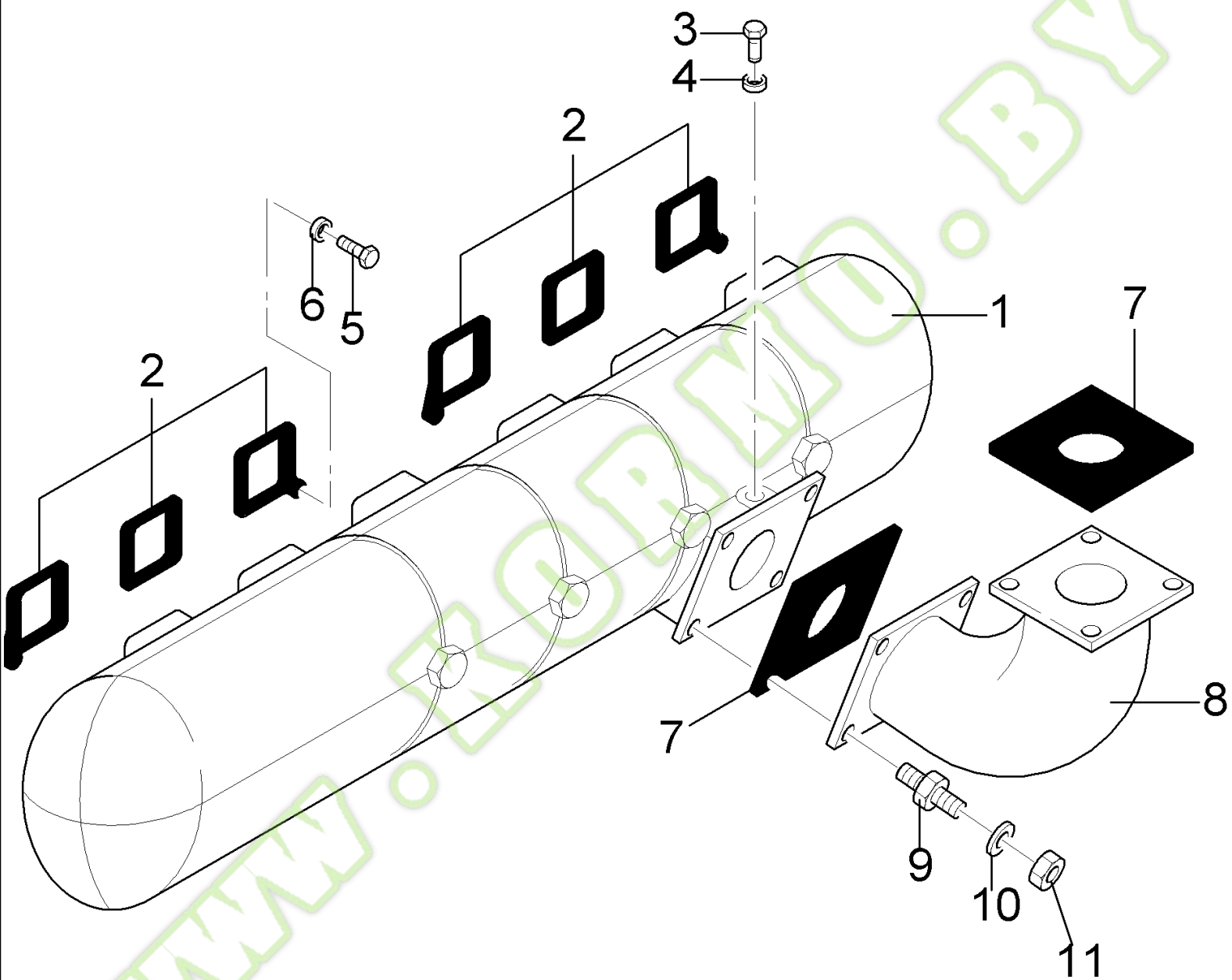
Ref	Part Number	Qty	Description
1	98444341	2	CYLINDER HEAD, (2 TO 11), FOR FX300-375/9630-9640 ONLY
1	99466903	2	CYLINDER HEAD, (2 TO 11), FOR FX450/9645 ONLY
2	4630923	6	GUIDE, INTAKE VALVE +0.00
2	4630924	6	GUIDE, INTAKE VALVE +0.04
2	4630925	6	GUIDE, INTAKE VALVE +0.20
2	4630926	6	GUIDE, INTAKE VALVE +0.24
3	4648237	6	GUIDE, EXHAUST VALVE +0.00
3	4648238	6	GUIDE, EXHAUST VALVE +0.04
3	4648239	6	GUIDE, EXHAUST VALVE +0.20
3	4648240	6	GUIDE, EXHAUST VALVE +0.24
4	98497836	6	VALVE SEAT, INTAKE VALVE +0.00
4	98497837	6	VALVE SEAT, INTAKE VALVE +0.05
4	98497838	6	VALVE SEAT, INTAKE VALVE +0.20
5	4673864	6	SEAT/SLOT, EXHAUST VALVE +0.00
5	4673868	6	SEAT/SLOT, EXHAUST VALVE +0.20
5	4673869	6	VALVE SEAT, EXHAUST VALVE +0.05
6	4817147	6	CASE,
7	61584412	4	PLUG,
8	14282670	16	PLUG, D=32
9	4623879	6	CONVEYOR,
10	4638192	6	CONVEYOR,
11	14453981	12	GASKET, -022, CI 7, .989 " ID x .070" Thk, O-Ring -022, CL 7, .989 " ID x .070" Thk
12	99460467	2	GASKET, CYLINDER HEAD,
13	4769615	30	SCREW,
14	4769616	4	SCREW,
15	98474814	2	COVER,
16	98480127	2	GASKET,
17	10519624	16	WASHER, M8 x 17 x 2,
19	4786119	2	GUARD,
20	13450530	12	STUD, M10X70
18	16044524	16	SCREW, Hex, M8 x 65, 8.8, M8X65



## FX375 NH SELF PROPELLED FORAGE HARVESTER - YELLOW VERSION

## 0.06.0(03) CYLINDER HEAD

Ref	Part Number	Qty	Description
1	98478407	6	VALVE, ENGINE, INLET, STD,
2	98474604	6	VALVE, ENG EXHAUST, STD,
3	99434732	12	BUSHING,
4	98474605	12	SPRING,
5	604369	4	SPRING,
6	98474126	12	CUP,
7	98474128	12	WASHER,
8	14196470	24	COTTER, ROCKER ARM,
9	98474127	12	CAP, FLANGE COVER,
10	4526961	2	SCREW,
11	99431835	6	SUPPORT,
12	99432169	2	SHAFT, (13)
13	14328501	4	PLUG,
14	99431534	6	ROCKER ARM, INTAKE SIDE
14	99431535	6	ROCKER ARM, EXHAUST SIDE
15	4544152	8	WASHER,
16	16866476	4	RING,
17	98474606	12	SCREW,
18	61584377	12	NUT,
19	13450530	12	STUD,
20	4546228	6	PLATE,
21	11198374	12	WASHER, LOCK, Belleville, M10.5,
22	12164721	12	NUT, M10 x 1.25, CI 10,
23	4544152	4	WASHER, 1.5
23	4544153	4	WASHER, 2
23	4544154	4	WASHER, 2.5

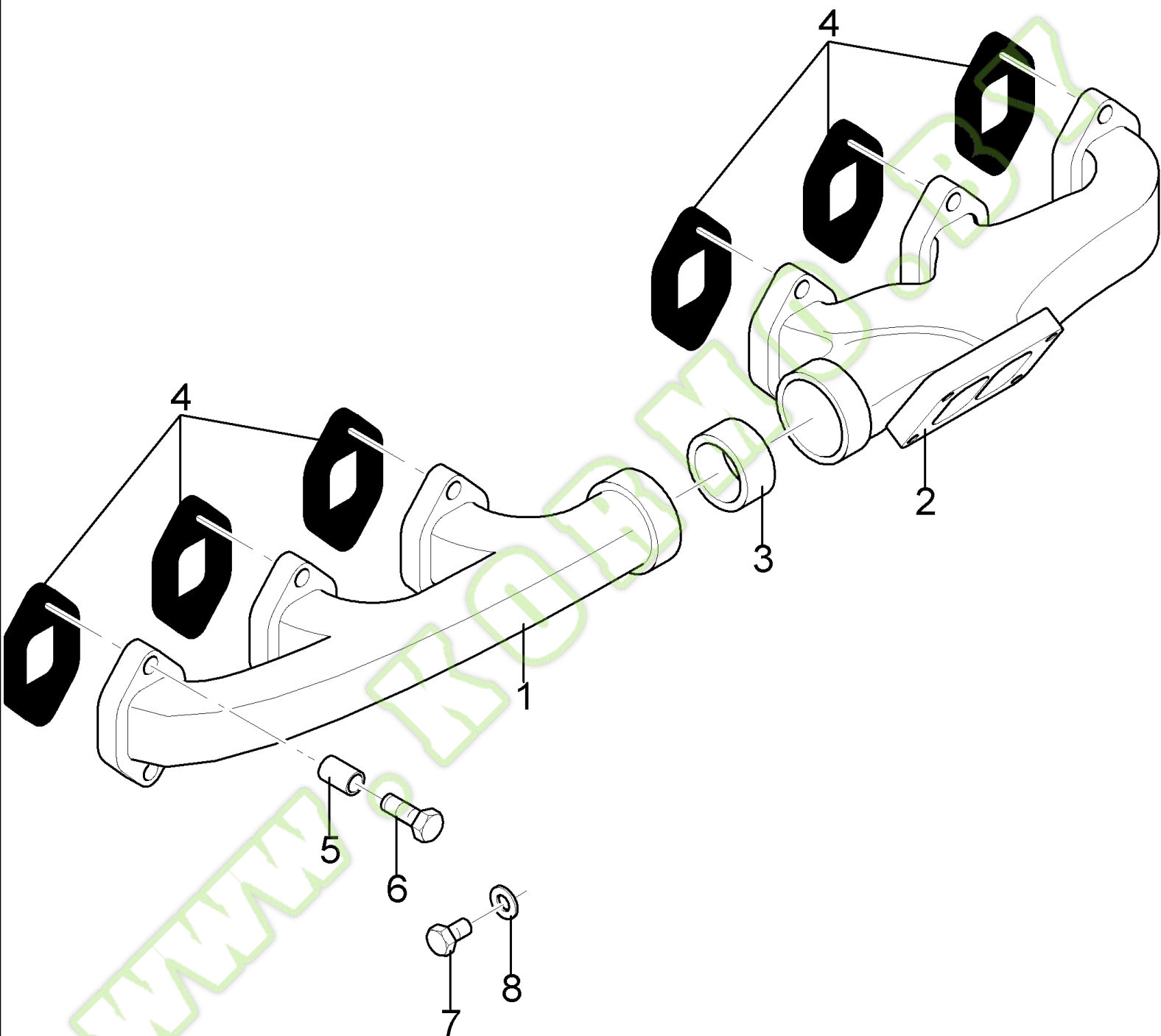


## FX375 NH SELF PROPELLED FORAGE HARVESTER - YELLOW VERSION

## 0.07.1(01) INTAKE MANIFOLD

Ref	Part Number	Qty	Description
1	99462896	1	MANIFOLD, INLET,
2	4829433	6	GASKET,
3	4595833	1	PLUG,
4	98429280	1	GASKET,
5	11307024	6	SCREW, Hex, M10 x 1.25 x 40, 8.8, Full Thd, M10X40
5	15972821	6	SCREW, Hex, M10 x 1.25 x 150, 8.8, M10X150
6	12642521	12	WASHER, M10 x 22 x 2,
7	14466081	1	GASKET, -242, CI 7, 3.984" ID x .139" Thk,
8	8012732	1	ELBOW,
9	13546624	4	STUD,
10	14496604	4	WASHER, M10 x 21 x 2,
11	15500121	4	NUT,

WWW.KORMO.BY

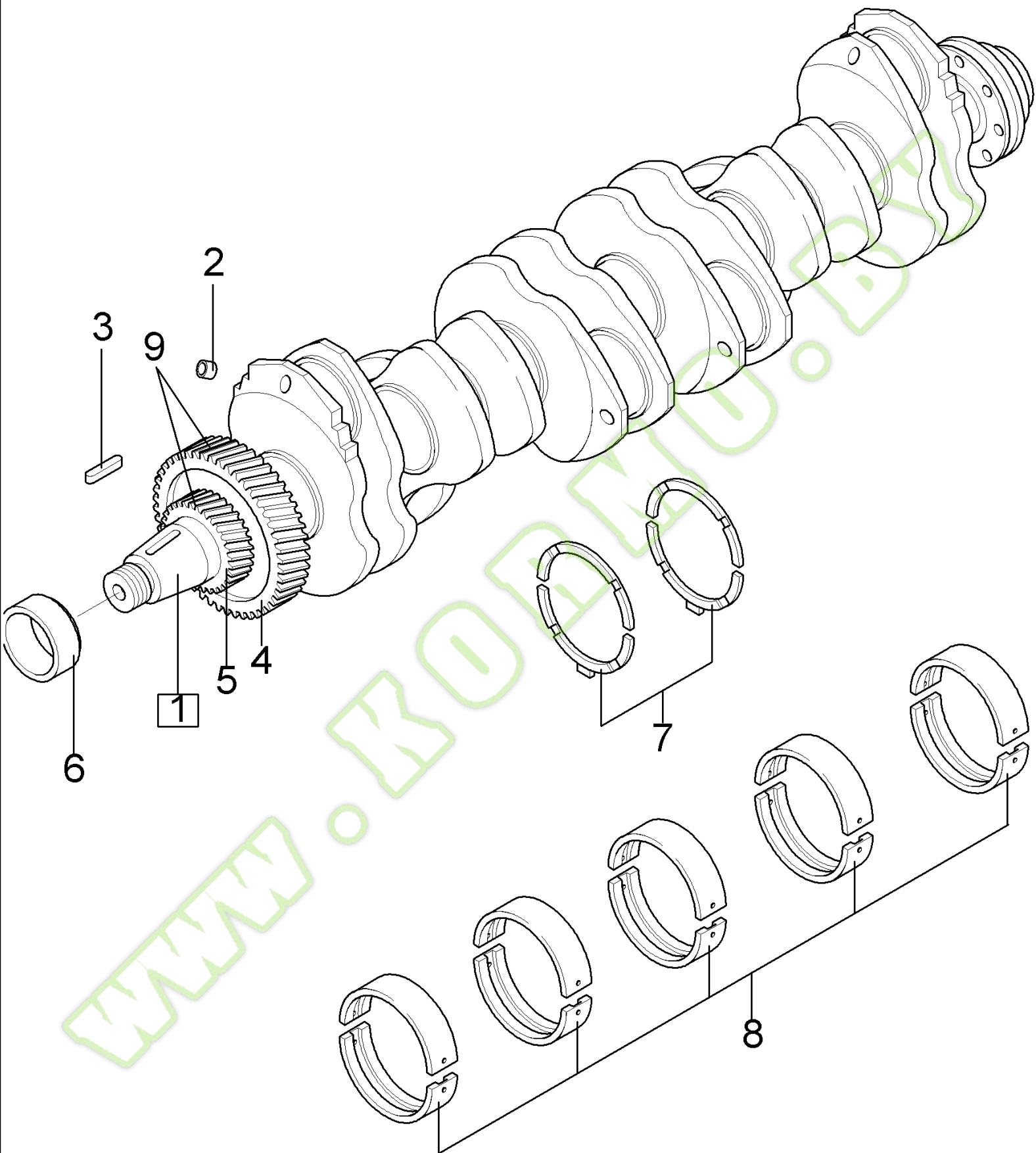


## 0.07.7(01) EXHAUST MANIFOLD

Ref	Part Number	Qty	Description
1	98445286	1	MANIFOLD, EXHAUST, FRONT
2	98480693	1	MANIFOLD, EXHAUST, REAR
3	98468346	1	RING,
4	98409494	6	GASKET,
5	99436243	12	SPACER,
6	98484591	12	SCREW,
7	16992211	1	PLUG, , D0900-
8	4858607	1	GASKET, , D0900-

WWW.KORMO.BY

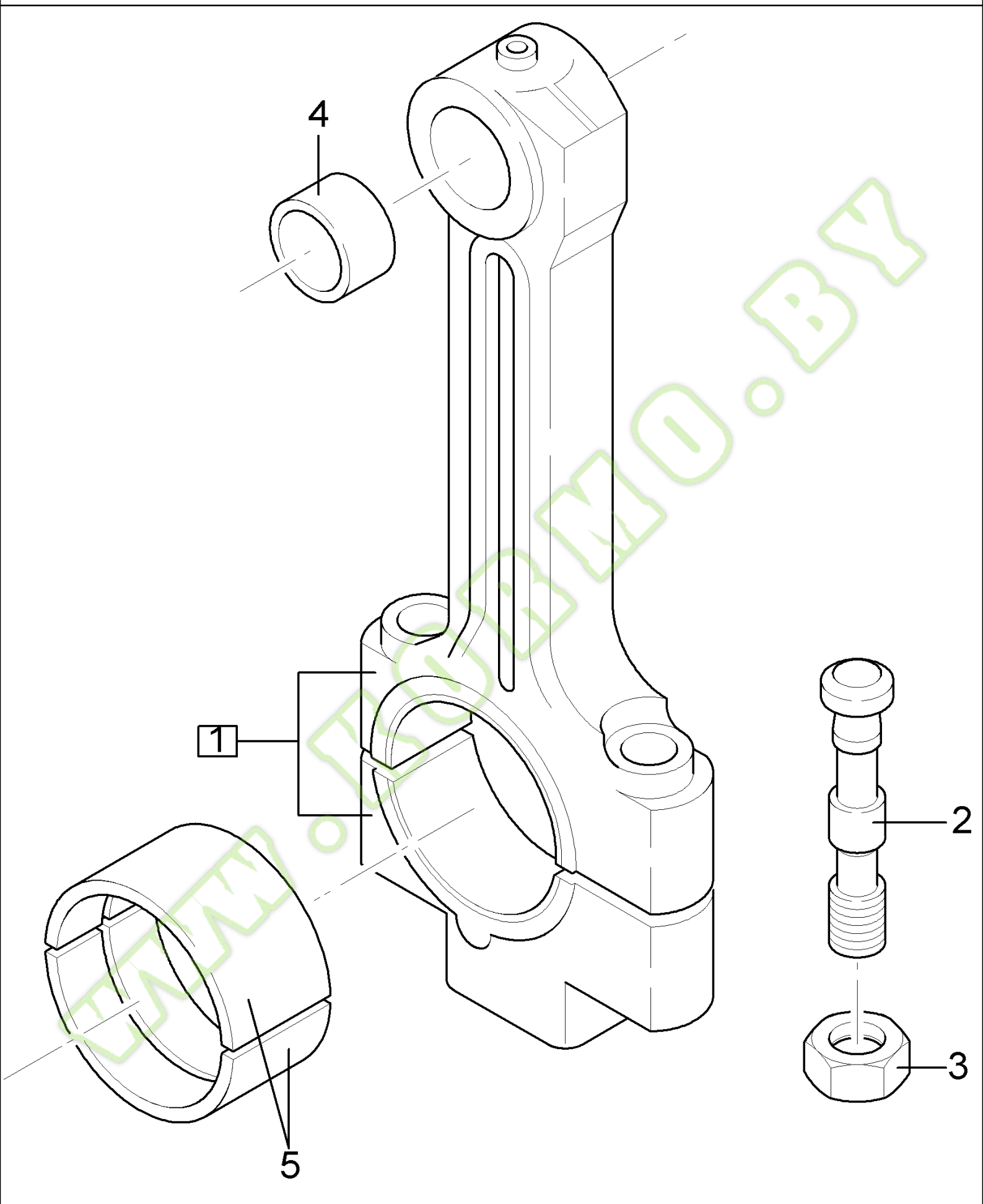




## FX375 NH SELF PROPELLED FORAGE HARVESTER - YELLOW VERSION

## 0.08.0(01) CRANKSHAFT

Ref	Part Number	Qty	Description
1	99439265	1	CRANKSHAFT, (2TO6), FOR FX300-375/9630-9640 ONLY
1	98485360	1	CRANKSHAFT, (2TO6), FOR FX450/9645 ONLY, -C1313
1	500322827	1	CRANKSHAFT, (2TO6), FOR FX450/9645 ONLY, D1400-
2	14282070	6	PLUG,
3	4606319	1	KEY,
4	98482198	1	GEAR, DRIVEN, , FOR FX300-375/9630-9640 ONLY
4	98482198	1	GEAR, DRIVEN, , FOR FX450/9645 ONLY, -C1313
5	98417833	1	GEAR, DRIVING, , FOR FX300-375/9630-9640 ONLY
5	98435492	1	GEAR, DRIVEN, , FOR FX450/9645 ONLY, -C1313
6	98420369	1	RING,
7	1901153	1	SET, THRUST WASHERS+0.102, +0.127, FOR FX300-375/9630-9640 ONLY
7	1901203	1	SET, THRUST WASHERS (STD), +0.000, FOR FX300-375/9630-9640 ONLY
7	1908424	1	SET, THRUST WASHERS (STD), +0.000, FOR FX450/9645 ONLY
8	1901367	1	SET OF MAIN BRGS.STD, 0.0000, FOR FX300-375/9630-9640 ONLY
8	1901368	1	SET OF MAIN BRGS -0.254, -0.254, FOR FX300-375/9630-9640 ONLY
8	1901369	1	SET OF MAIN BRGS -0.508mm, -0.508, FOR FX300-375/9630-9640 ONLY
8	1908425	1	SET OF MAIN BRGS.STD, 0.0000, FOR FX450/9645 ONLY
9	500300199	1	GEAR, DRIVING, , FOR FX450/9645 ONLY, D1400-

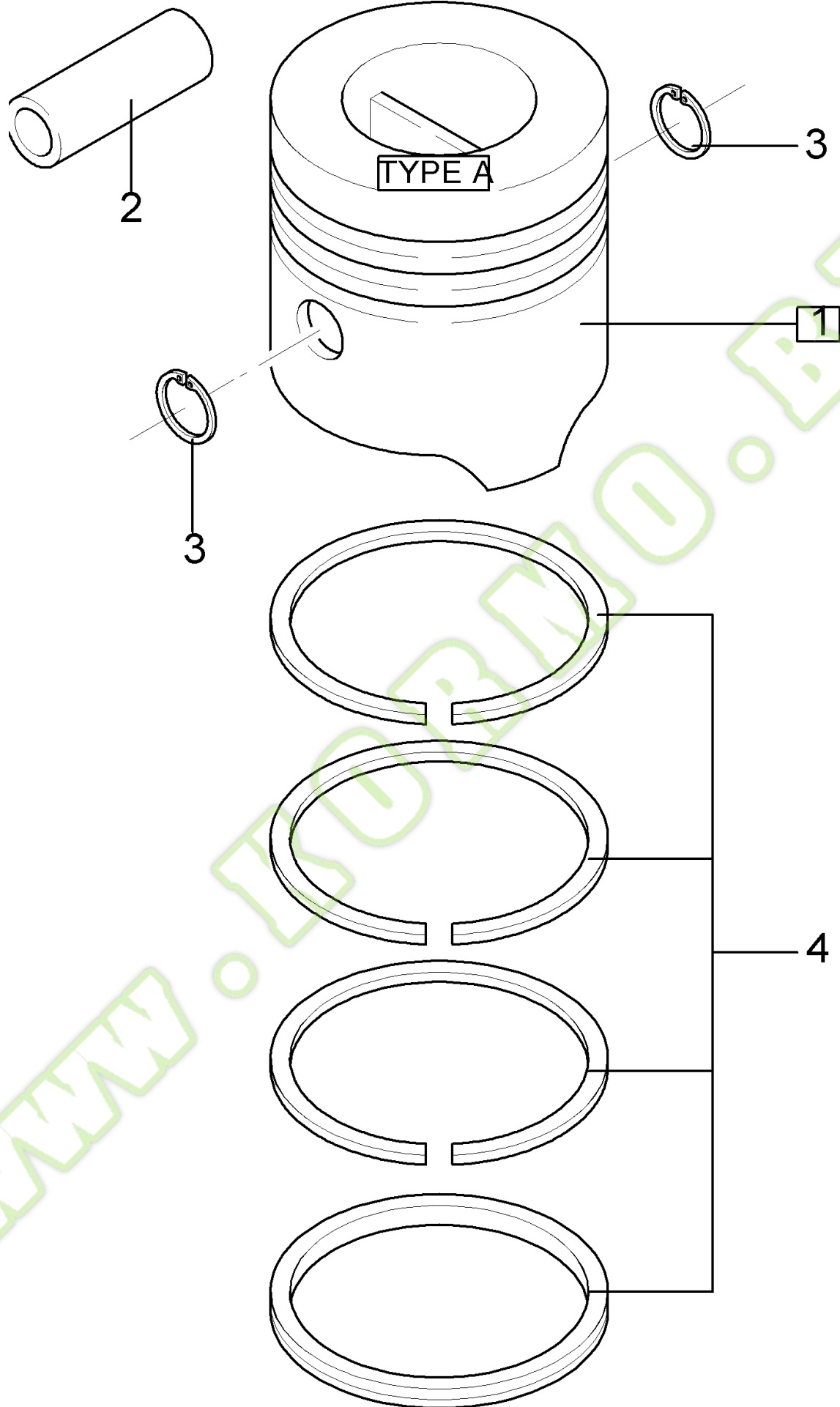


## FX375 NH SELF PROPELLED FORAGE HARVESTER - YELLOW VERSION

## 0.08.1(01) CONNECTING ROD

Ref	Part Number	Qty	Description
1	98452330	6	ROD, CONNECTING, (2,3,4)
2	4633536	12	SCREW,
3	4693706	12	NUT,
4	4787170	6	BUSHING,
5	1902080	6	SET OF MAIN BRGS.STD, 0.000
5	1902081	6	SET OF MAIN BRGS -0.254, -0.254
5	1902082	6	SET OF MAIN BRGS -0.508mm, -0.508

WWW.KORMO.BY

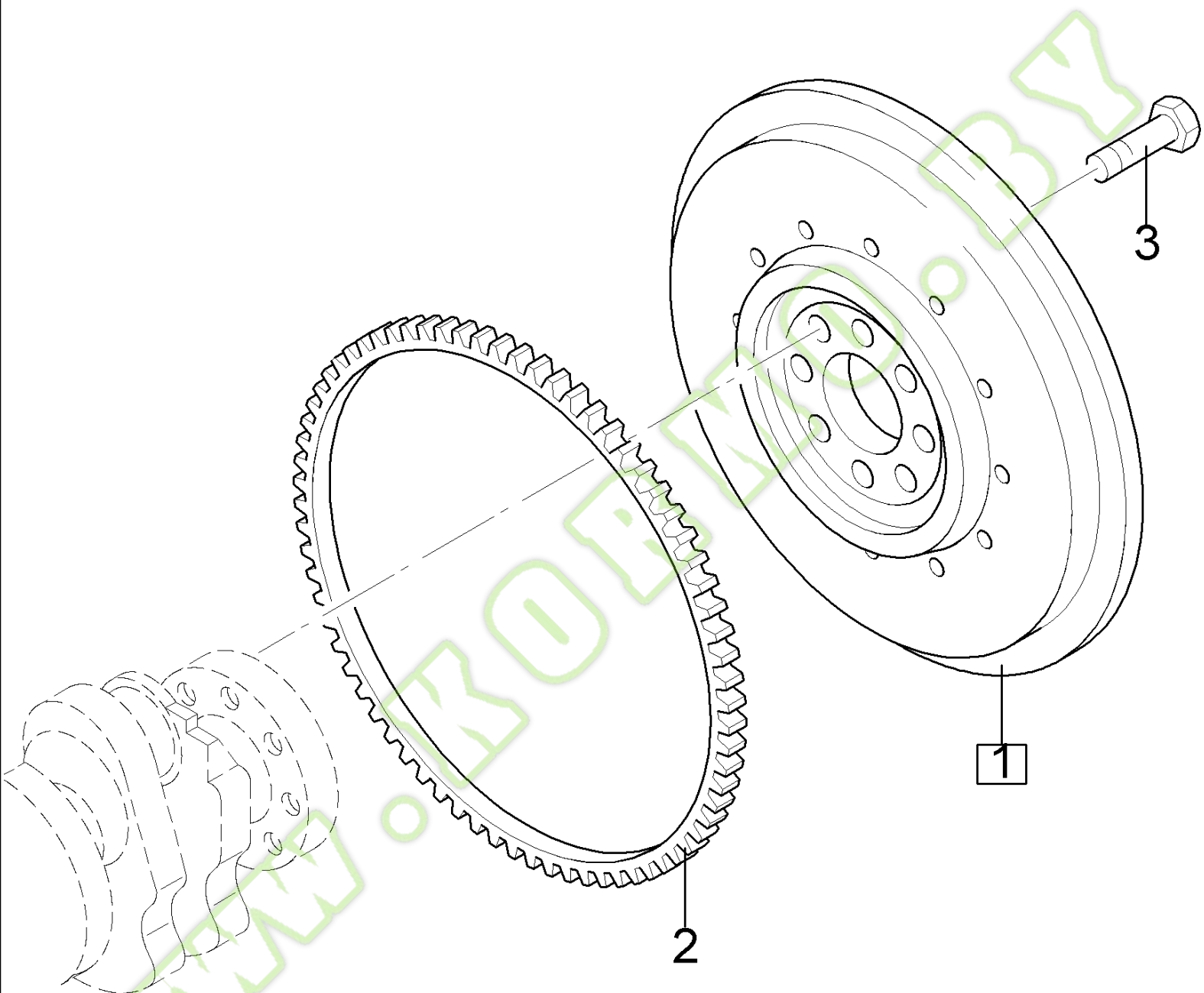


## FX375 NH SELF PROPELLED FORAGE HARVESTER - YELLOW VERSION

## 0.08.2(01) ENGINE PISTON

Ref	Part Number	Qty	Description
1	1907471	6	PISTON ASSY., (2,3,4), FOR FX300-375/9630-9640 ONLY
1	1907493	6	PISTON ASSY., (2,3,4), FOR FX450/9645 ONLY
2	98411376	6	PIN, PISTON,
3	11060476	12	CIRCLIP,
4	1907470	6	SET OF RINGS, , FOR FX300-375/9630-9640 ONLY
4	1907491	6	SET OF RINGS, , FOR FX450/9645 ONLY

WWW.KORMO.BY



FX375 NH SELF PROPELLED FORAGE HARVESTER - YELLOW VERSION

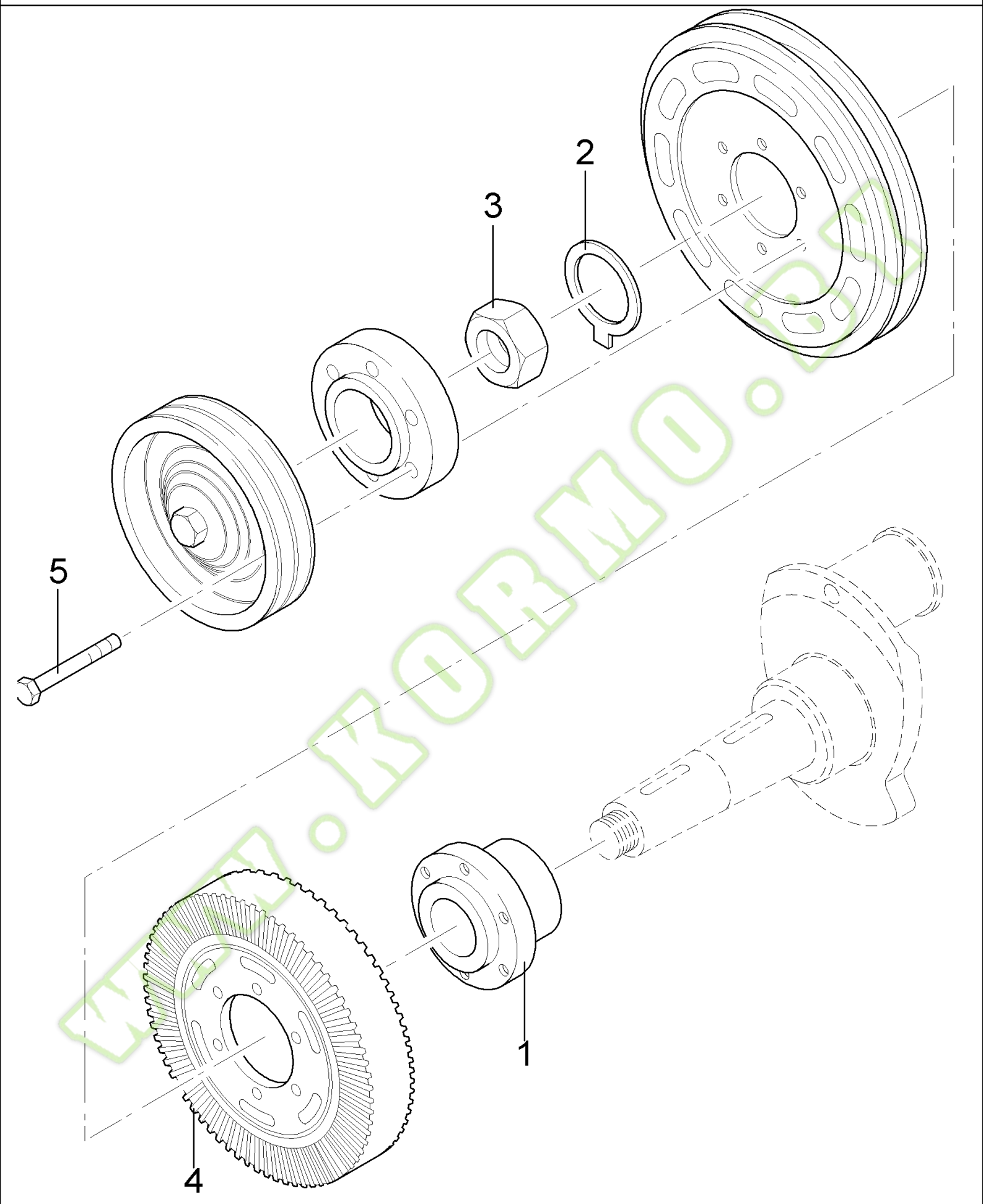
0.08.3(01) FLYWHEEL

Ref	Part Number	Qty	Description
1	98418122	1	FLYWHEEL, ENGINE, (2), FOR FX300/9630 ONLY
1	8017902	1	FLYWHEEL, ENGINE, (2), FOR FX375-450/9640-9645 ONLY
2	4651279	1	GEAR, RING,
3	4765554	8	SCREW,

WWW.KORMO.BY



0.08.4(01) CRANKSHAFT PULLEY

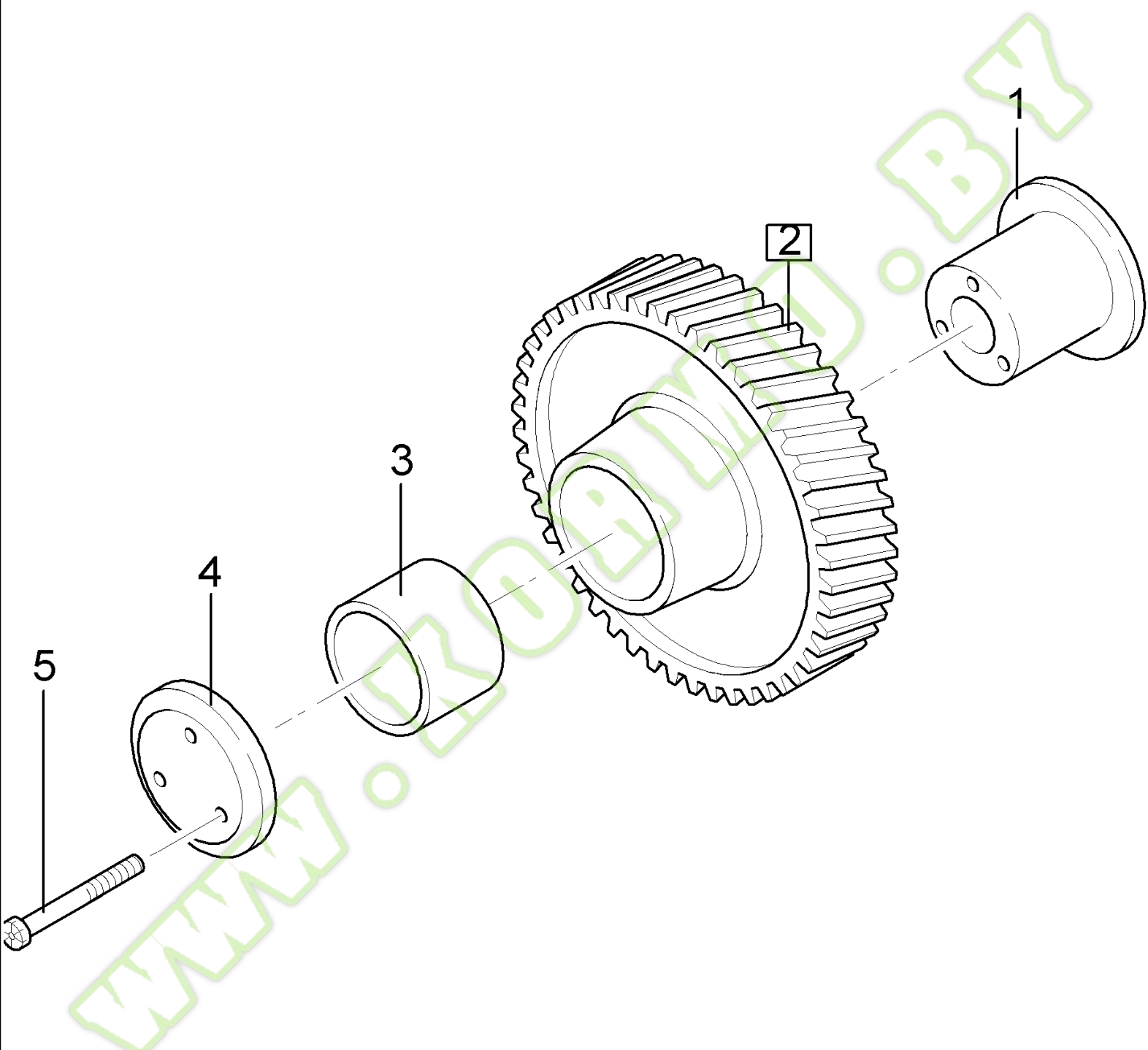


## FX375 NH SELF PROPELLED FORAGE HARVESTER - YELLOW VERSION

## 0.08.4(01) CRANKSHAFT PULLEY

Ref	Part Number	Qty	Description
1	4848241	1	HUB,
2	4607074	1	PLATE, LOCKING,
3	4607073	1	NUT,
4	4847766	1	DAMPER, 11 INCH, -C0408
4	8018747	1	DAMPER, 12 INCH, D0900-
5	16326124	6	SCREW, , FOR FX300-375/9630-9640 ONLY
5	14331121	6	SCREW, Hex Soc Hd, M12 x 1.25 x 30, 8.8, , FOR FX450/9645 ONLY

WWW.KORMO.BY

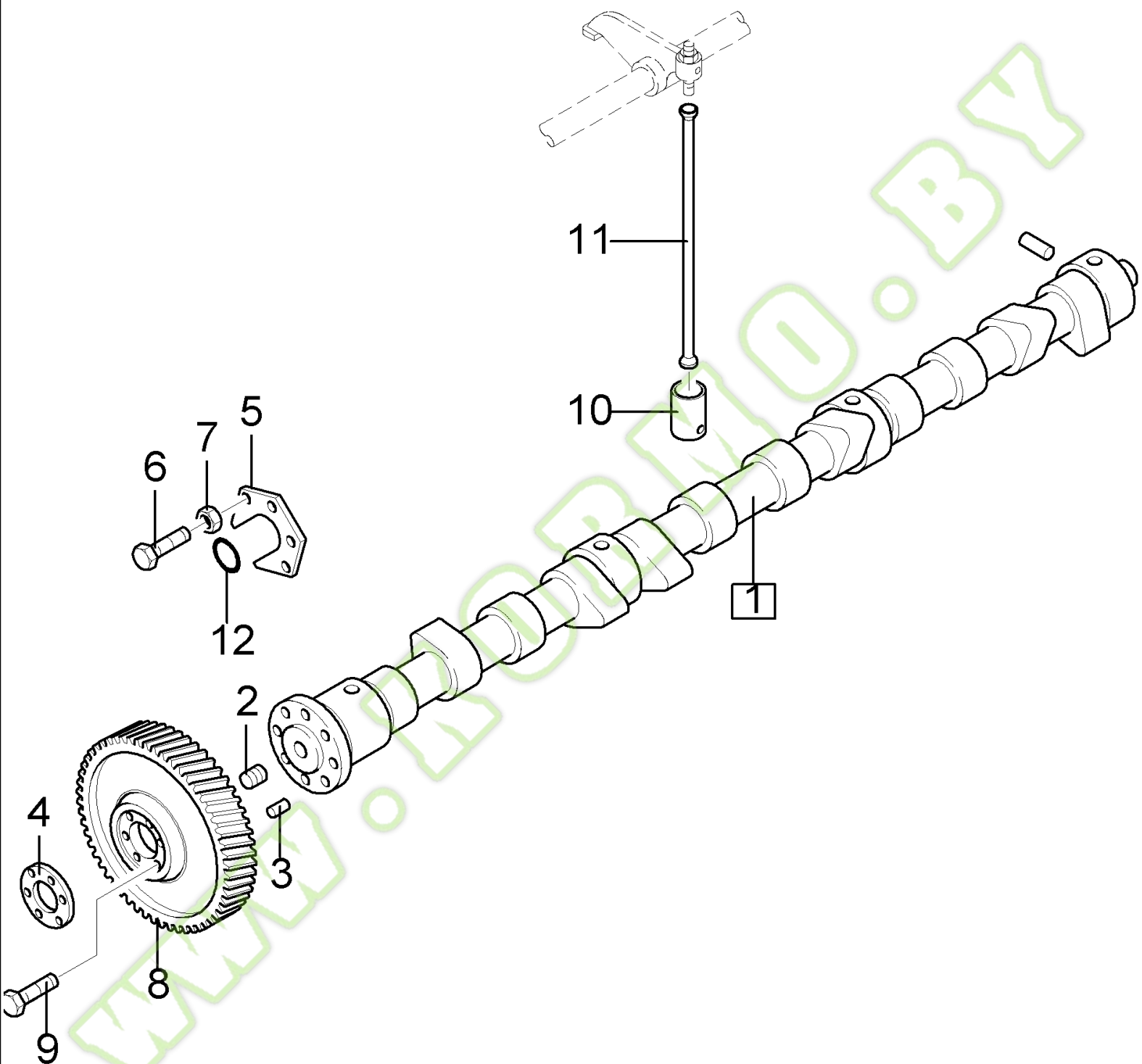


## FX375 NH SELF PROPELLED FORAGE HARVESTER - YELLOW VERSION

## 0.10.0(01) TIMING CONTROL

Ref	Part Number	Qty	Description
1	98417585	1	SHAFT,
2	4844568	1	GEAR, DRIVEN, (3), FOR FX300-375/9630-9640 ONLY
2	98436033	1	GEAR, DRIVEN, (3), FOR FX450/9645 ONLY
3	98418593	1	BUSHING,
4	98420367	1	FLANGE,
5	98420368	3	SCREW,

WWW.KORMO.BY

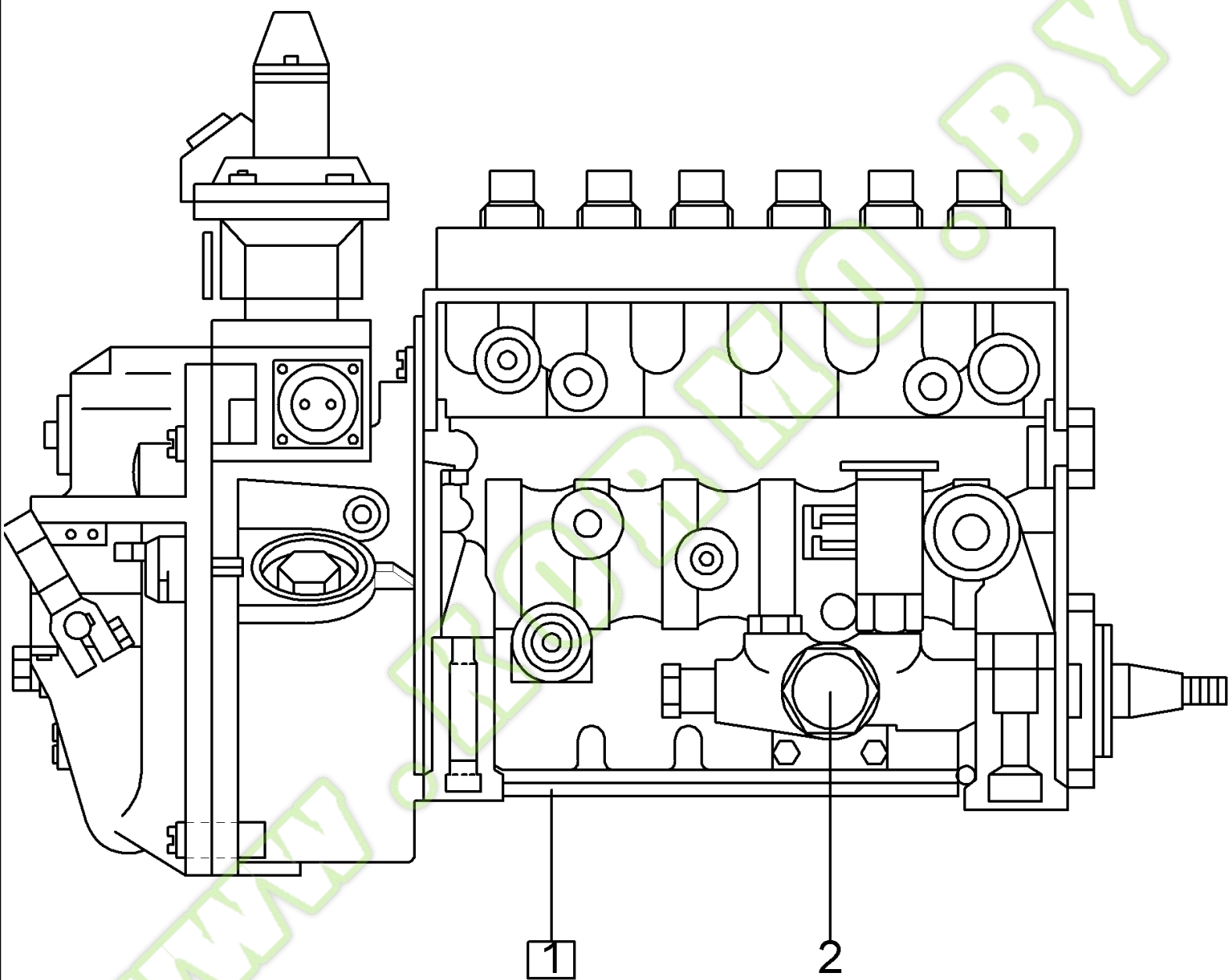


## FX375 NH SELF PROPELLED FORAGE HARVESTER - YELLOW VERSION

## 0.12.0(01) CAMSHAFT

Ref	Part Number	Qty	Description
1	99457896	1	CAMSHAFT, (2,3)
2	4623643	1	PLUG,
3	4619885	1	DOWEL,
4	4772396	1	SPACER,
5	98434327	1	PLATE,
6	14307630	3	SCREW, Hex Soc Hd, M10 x 1.25 x 35, 10.9,
7	11198374	3	WASHER, LOCK, Belleville, M10.5,
8	98418372	1	GEAR,
9	14233434	6	SCREW, M10X25
10	99432644	12	TAPPET,
10	99433717	12	TAPPET,
10	99433718	12	TAPPET,
10	99433719	12	TAPPET,
11	99432740	12	ROD, ALT.
12	14457681	1	O-RING, -118, CI 7, .862" ID x .103" Thk,

WWW.KORMO.BY



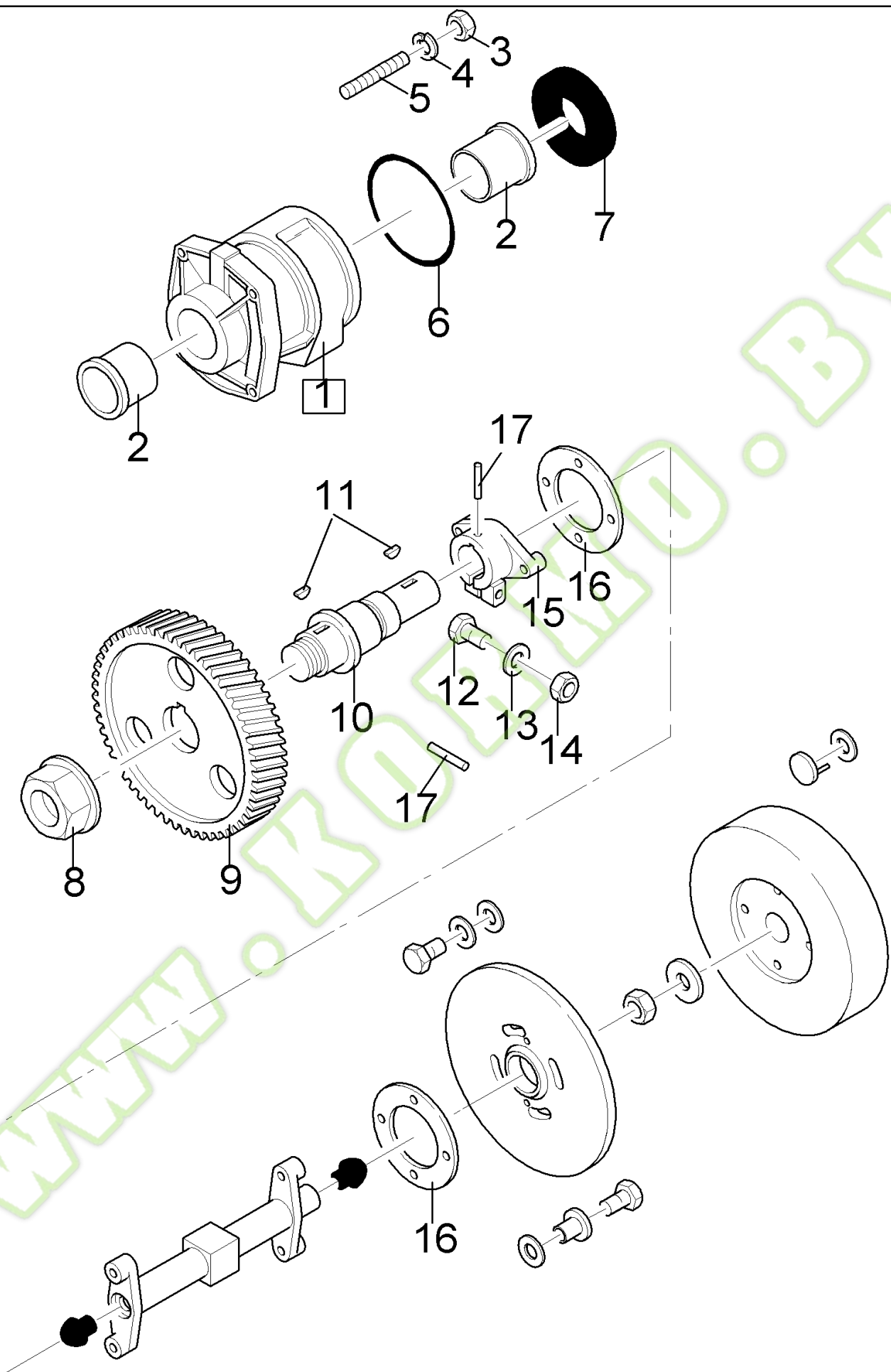
## FX375 NH SELF PROPELLED FORAGE HARVESTER - YELLOW VERSION

## 0.14.0(01) INJECTION PUMP

Ref	Part Number	Qty	Description
1	99462140	1	PUMP, FUEL INJECTION, (2), FOR FX375/9640 ONLY
1	99462141	1	PUMP, FUEL INJECTION, (2), FOR FX450/9645 ONLY
1	99462142	1	PUMP, FUEL INJECTION, (2), FOR FX300/9630 ONLY
2	9967659	1	PUMP, FUEL, , FOR FX300 ONLY
2	9971791	1	PUMP, FUEL, , FOR FX375-450 ONLY

WWW.KORMO.BY

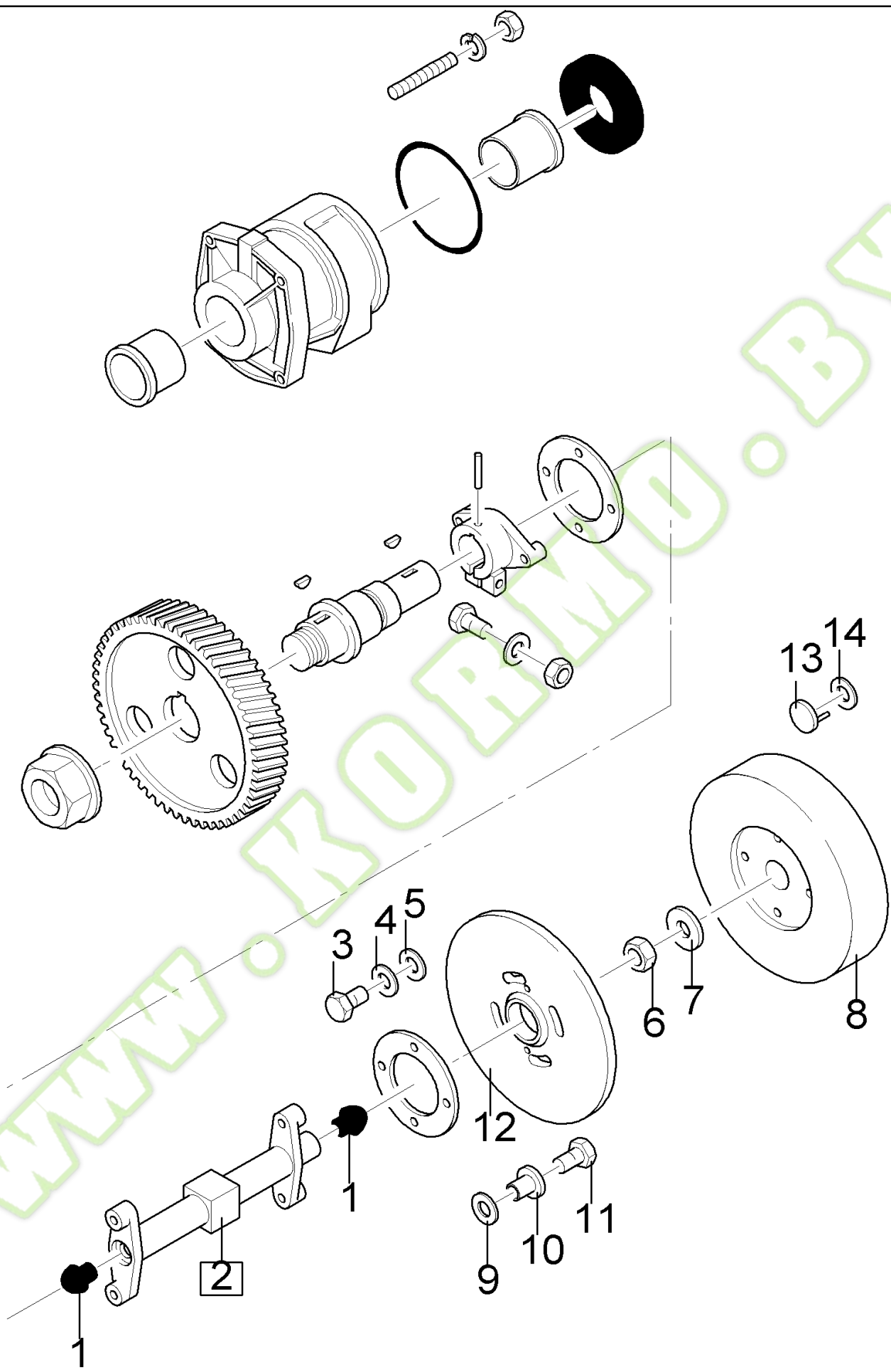




## FX375 NH SELF PROPELLED FORAGE HARVESTER - YELLOW VERSION

## 0.14.0(02) INJECTION PUMP - COMPONENTS

Ref	Part Number	Qty	Description
1	98446002	1	SUPPORT, (2)
2	4776216	2	BUSHING,
3	12164721	4	NUT, M10 x 1.25, CI 10,
4	11198374	4	WASHER, LOCK, Belleville, M10.5,
5	13449424	4	STUD,
6	14457981	1	O-RING, -121, CI 7, 1.049" ID x .103" Thk,
7	98467215	1	GASKET,
8	500300648	1	NUT,
9	98418371	1	GEAR,
10	99448787	1	SHAFT, CONTROL,
11	10206320	2	KEY,
12	15888731	1	SCREW, Hex, M10 x 1.25 x 55, 10.9, , FOR FX300/9630 ONLY, -C0408
12	15541131	1	SCREW, Hex, M12 x 1.25 x 65, 10.9, , FOR FX300/9630 ONLY, D0900-
12	15541131	1	SCREW, Hex, M12 x 1.25 x 65, 10.9, , FOR FX375/9640 ONLY
13	98462135	1	WASHER,
14	17042931	1	NUT,
15	98442366	1	BUSHING, DRIVE, , FOR FX300/9630 ONLY, -C0408
15	98462133	1	JOINT, UNIVERSAL, , FOR FX300/9630 ONLY, D0900-
15	98462133	1	JOINT, UNIVERSAL, , FOR FX375/9640 ONLY
16	4538013	14	DISC, , FOR FX300/9630 ONLY, -C0408
16	4882440	14	WASHER, , FOR FX300/9630 ONLY, D0900-
16	4882440	14	WASHER, , FOR FX375/9640 ONLY
17	14165470	1	PIN, ROLL, M5 x 10, Slotted,

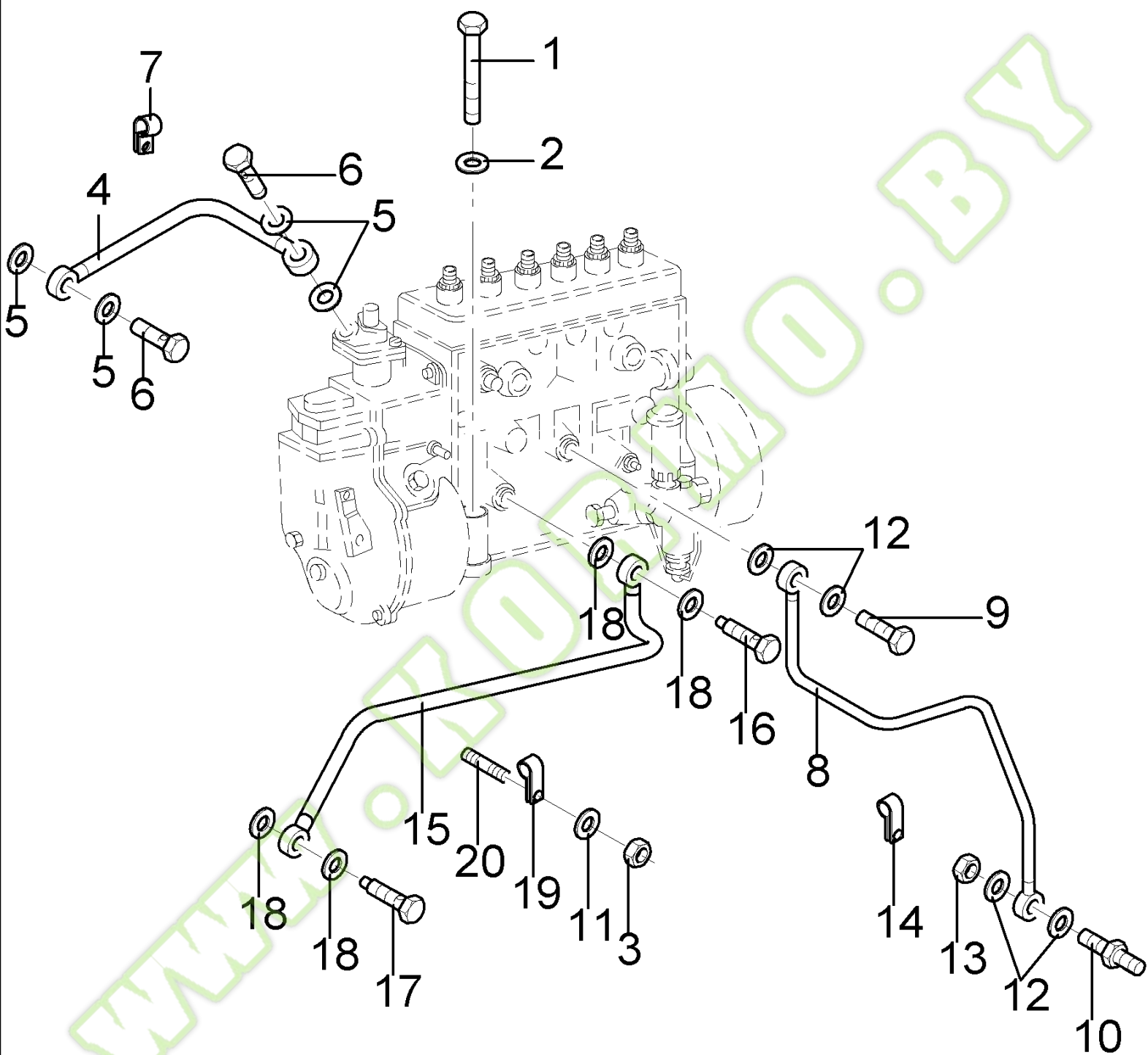


## FX375 NH SELF PROPELLED FORAGE HARVESTER - YELLOW VERSION

## 0.14.0(05) INJECTION PUMP - COMPONENTS

Ref	Part Number	Qty	Description
1	4608219	2	INSULATOR BLOCK,
2	98425508	1	SHAFT, (2)
3	11106424	4	SCREW, Hex, M10 x 30, 8.8, Full Thd,
4	11190574	4	WASHER, LOCK, Belleville, M10.5,
5	12642521	4	WASHER, M10 x 22 x 2,
6	16980931	1	NUT,
7	10731121	1	WASHER, LOCK, M20 x 35 OD x 4 Thk,
8	98424707	1	WEIGHT, COUNTER,
9	4882441	4	WASHER,
10	99447927	4	BUSHING,
11	16675734	4	SCREW,
12	98424813	1	FLYWHEEL, ENGINE,
13	98425632	4	CAM,
14	61316640	4	WASHER,

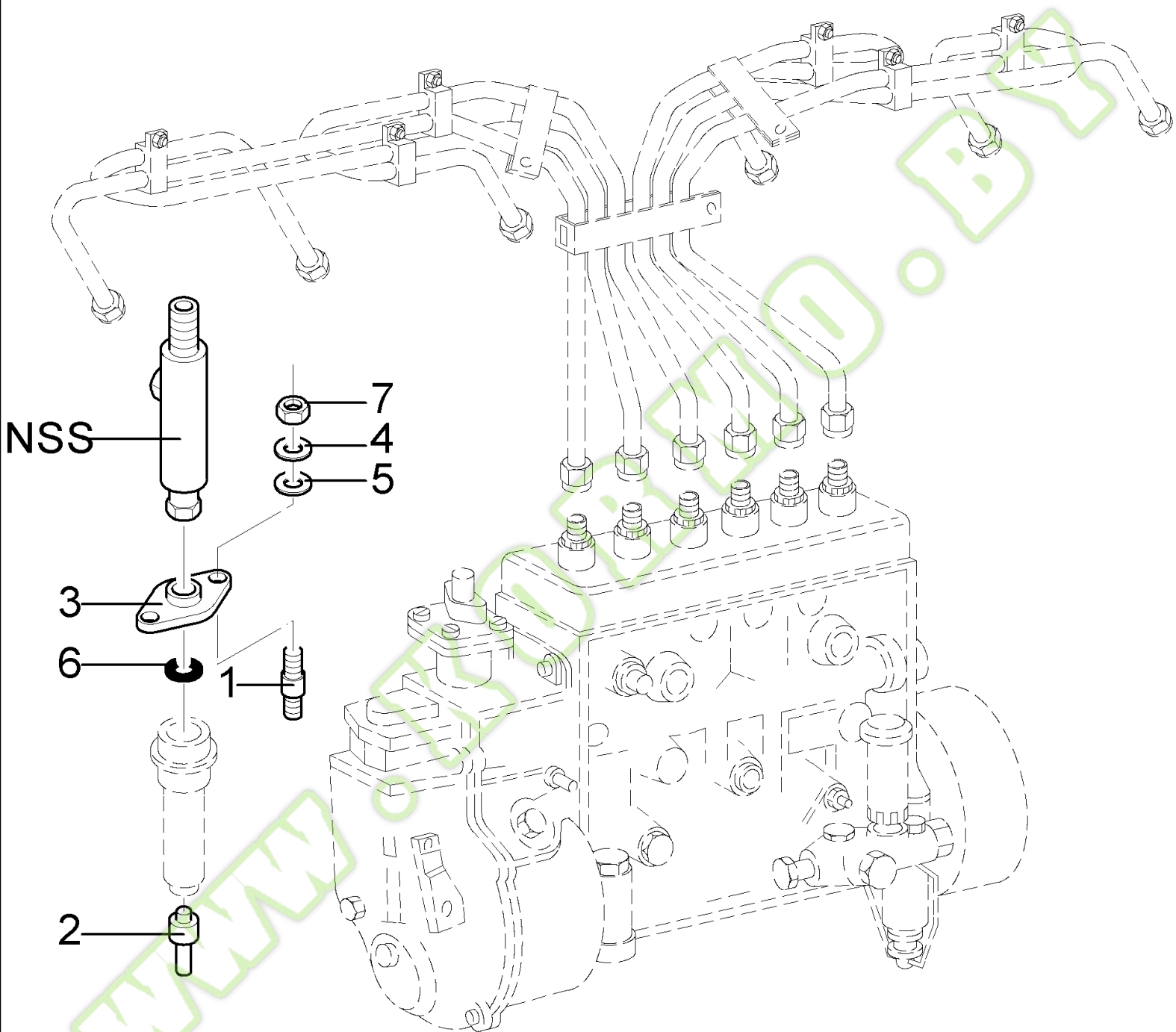
WWW.KORMO.BY



## FX375 NH SELF PROPELLED FORAGE HARVESTER - YELLOW VERSION

## 0.14.0(10) INJECTION PUMP - COMPONENTS

Ref	Part Number	Qty	Description
2	11198374	4	WASHER, LOCK, Belleville, M10.5,
3	16100821	1	NUT, M8, CI 10,
4	98494095	1	TUBE, RIGID,
5	98474306	4	GASKET,
6	4864082	2	BOLT, BANJO,
7	4625281	1	COLLAR,
8	98464613	1	TUBE, RIGID,
9	4864079	1	BOLT, BANJO,
10	4621393	1	CONNECTOR, HYD.,
11	11193874	1	WASHER, LOCK, Belleville, M8.4,
12	98474305	5	WASHER, SEALING,
13	500302824	1	PLUG,
14	10449890	1	COLLAR, RETAINER,
15	98430116	1	TUBE, RIGID,
16	98479387	1	BOLT, BANJO,
17	4864083	1	BOLT, BANJO,
18	98474308	4	WASHER, SEALING,
19	10450190	1	COLLAR, RETAINER,
20	13543021	1	STUD,
1	15971624	4	SCREW, Hex, M10 x 1.25 x 90, 8.8,



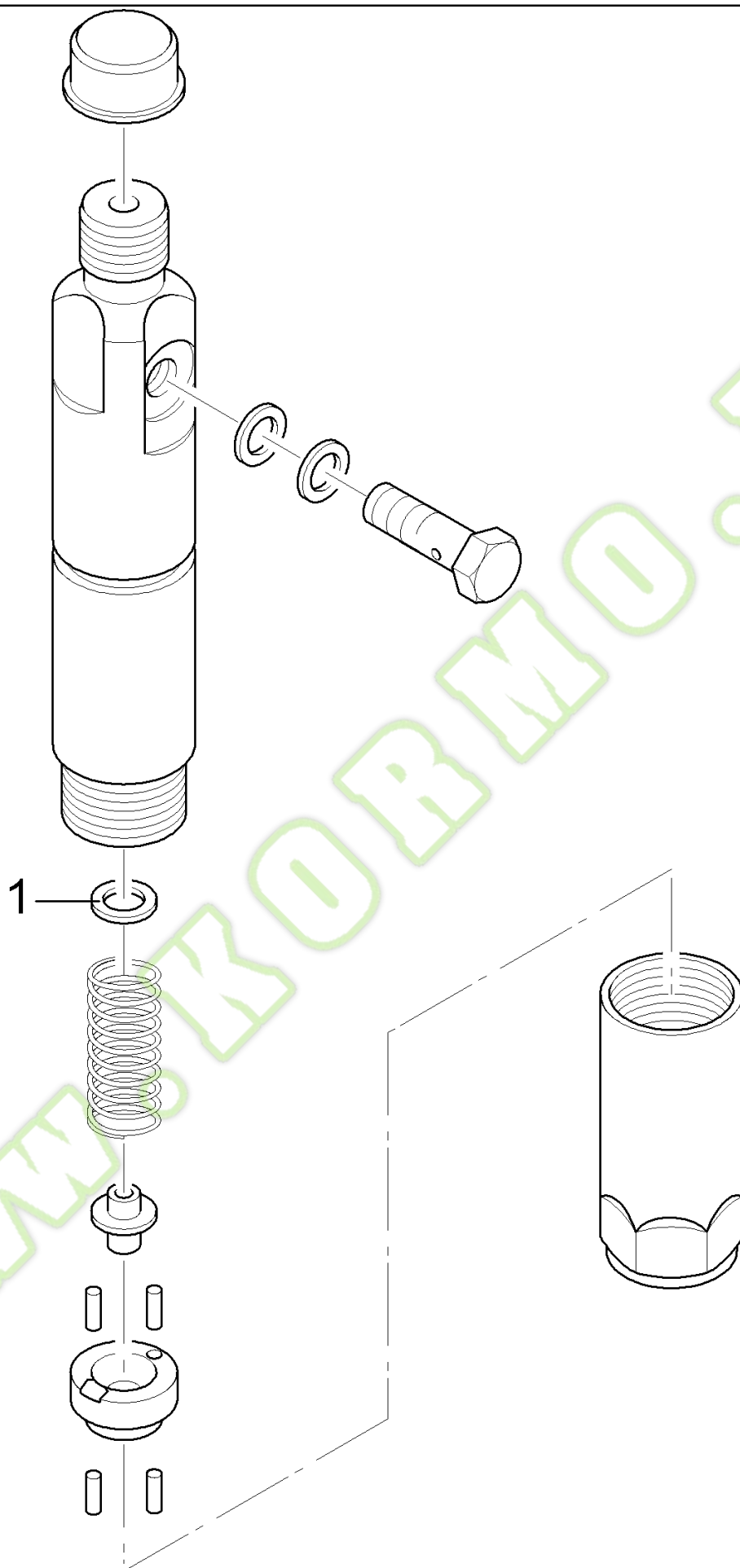
## FX375 NH SELF PROPELLED FORAGE HARVESTER - YELLOW VERSION

## 0.14.0(12) INJECTION PUMP - NOZZLES

Ref	Part Number	Qty	Description
1	13449934	12	STUD,
2	98413209	6	NOZZLE,
3	98406199	6	BRACKET,
4	11190574	12	WASHER, LOCK, Belleville, M10.5,
5	4700162	12	WASHER,
6	14453581	6	GASKET, 18.77MM ID x 1.78 Thk,
7	12164721	12	NUT, M10 x 1.25, CI 10,

WWW.KORMO.BY





## FX375 NH SELF PROPELLED FORAGE HARVESTER - YELLOW VERSION

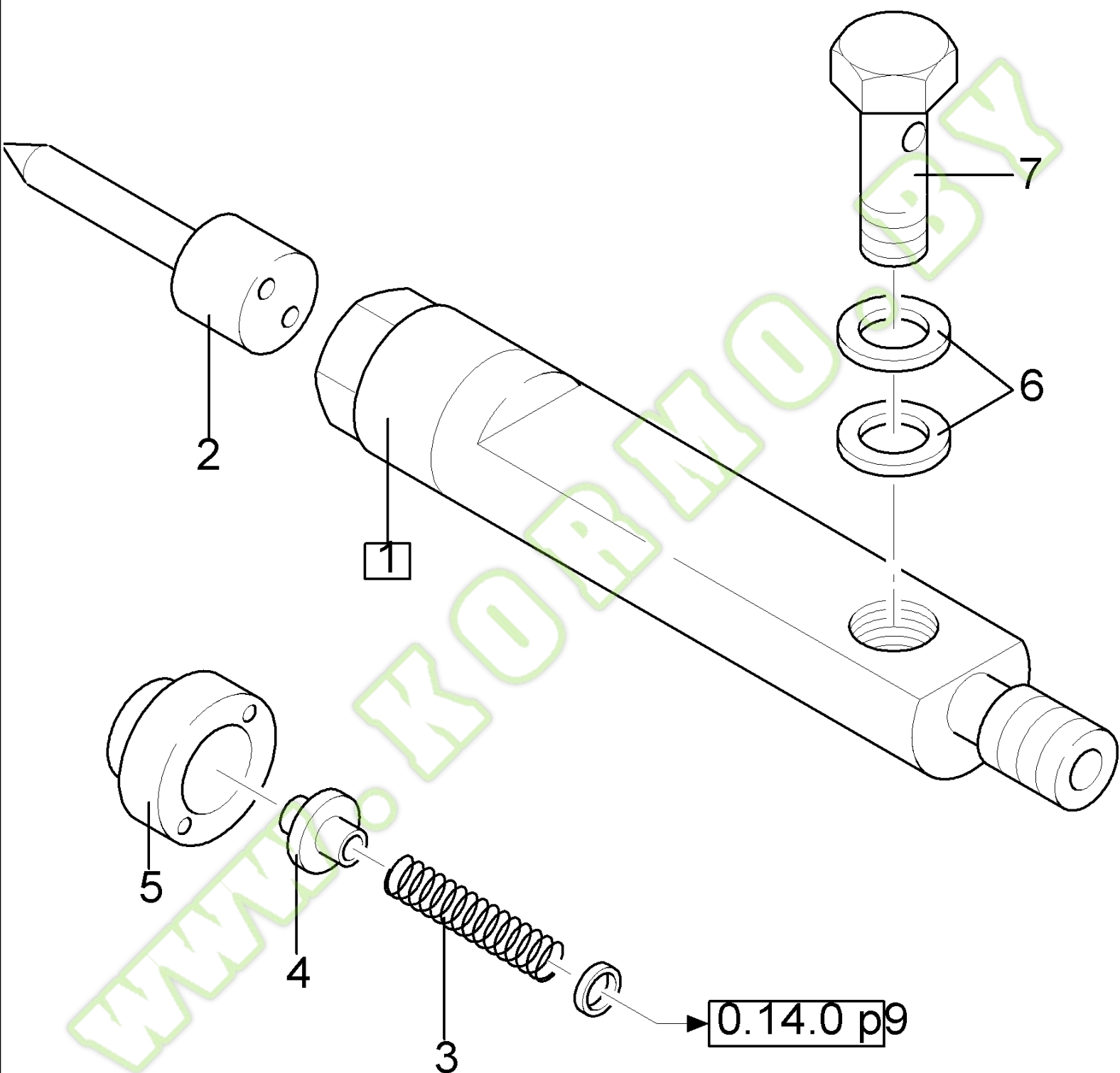
## 0.14.0(13) INJECTION PUMP - COMPONENTS

Ref	Part Number	Qty	Description
1	79067826	1	SHIM, THK.:1.40MM
1	79067828	1	SHIM, THK.:1.44MM
1	79067829	1	SHIM, THK.:1.46MM
1	79067830	1	SHIM, THK.:1.48MM
1	79067831	1	SHIM, THK.:1.50MM
1	79067832	1	SHIM, THK.:1.52MM
1	79067834	1	SHIM, THK.:1.56MM
1	79067835	1	SHIM, THK.:1.58MM
1	79067836	1	SHIM, THK.:1.60MM
1	79067837	1	SHIM, THK.:1.62MM
1	79067838	1	SHIM, THK.:1.64MM
1	79067839	1	SHIM, THK.:1.66MM
1	79067840	1	SHIM, THK.:1.68MM
1	79067841	1	SHIM, THK.:1.70MM
1	79067842	1	SHIM, THK.:1.72MM
1	9969345	1	SHIM, THK.:1.54MM
1	9970439	1	SHIM, THK.:1.42MM
1	79067806	1	SHIM, THK.:1MM
1	79067807	1	SHIM, THK.:1.02MM
1	79067808	1	SHIM, THK.:1.04MM
1	79067809	1	SHIM, THK.:1.06MM
1	79067810	1	SHIM, THK.:1.08MM
1	79067811	1	SHIM, THK.:1.10MM
1	79067812	1	SHIM, THK.:1.12MM
1	79067813	1	SHIM, THK.:1.14MM
1	79067814	1	SHIM, THK.:1.16MM
1	79067815	1	SHIM, THK.:1.18MM
1	79067816	1	SHIM, THK.:1.20MM
1	79067817	1	SHIM, THK.:1.22MM
1	79067818	1	SHIM, THK.:1.24MM
1	79067819	1	SHIM, THK.:1.26MM
1	79067843	1	SHIM, THK.:1.74MM
1	79067844	1	SHIM, THK.:1.76MM
1	79067845	1	SHIM, THK.:1.78MM
1	79067820	1	SHIM, THK.:1.28MM
1	79067821	1	SHIM, THK.:1.30MM
1	79067822	1	SHIM, THK.:1.32MM
1	79067823	1	SHIM, THK.:1.34MM
1	79067824	1	SHIM, THK.:1.36MM
1	79067825	1	SHIM, THK.:1.38MM
1	79067846	1	SHIM, THK.:1.80MM
1	79067847	1	SHIM, THK.:1.82MM
1	79067848	1	SHIM, THK.:1.84MM
1	79067849	1	SHIM, THK.:1.86MM
1	79067850	1	SHIM, THK.:1.88MM



Ref	Part Number	Qty	Description
1	79067851	1	SHIM, THK.:1.90MM
1	79067852	1	SHIM, THK.:1.92MM
1	79067853	1	SHIM, THK.:1.94MM
1	79067854	1	SHIM, THK.:1.96MM
1	79067855	1	SHIM, THK.:1.98MM

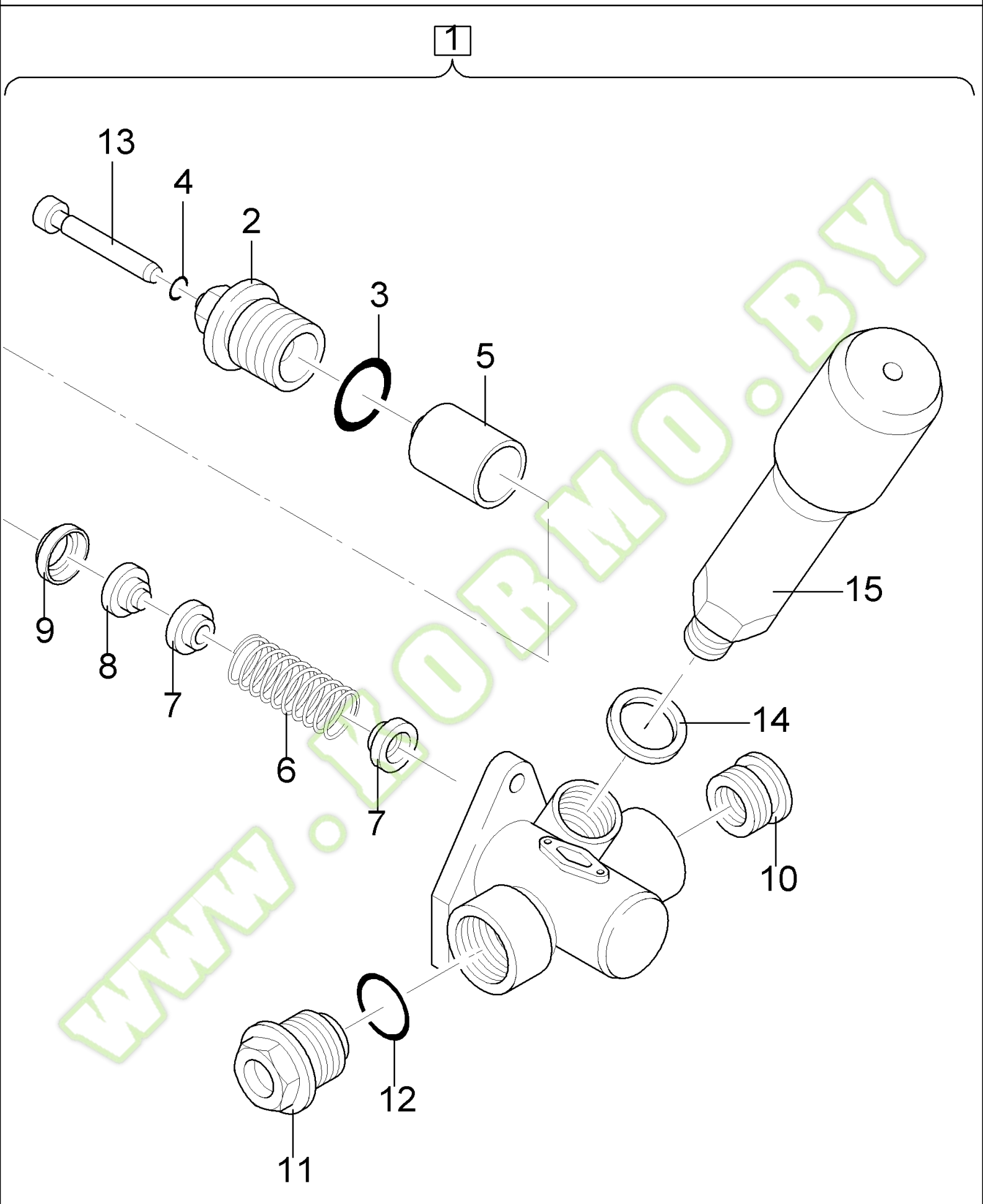
WWW.KORMO.BY



## 0.14.0(16) NOZZLES

Ref	Part Number	Qty	Description
1	98414185	1	INJECTOR, FUEL SYSTEM, (2T07)
2	98413209	1	NOZZLE,
3	9967626	1	SPRING,
4	9967627	1	ROD,
5	42490269	1	SPACER,
6	9929742	1	GASKET,
7	9982964	1	BOLT, BANJO,

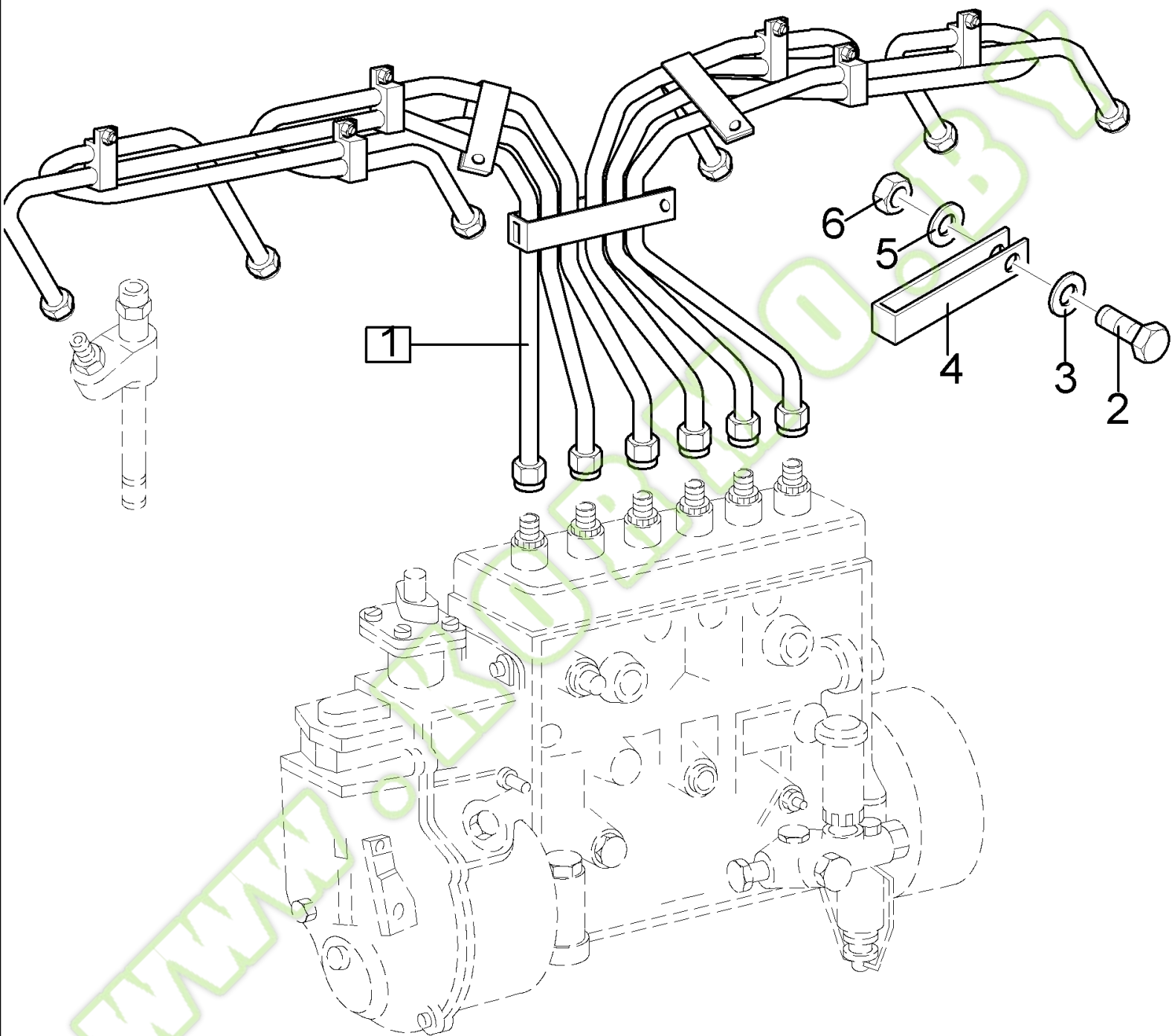
WWW.KORMO.BY



## FX375 NH SELF PROPELLED FORAGE HARVESTER - YELLOW VERSION

## 0.14.0(18) FUEL PUMP - COMPONENTS

Ref	Part Number	Qty	Description
1	8017832	1	PUMP, FUEL, , FOR FX375/9640 ONLY, INCL. ALL FIGS.
1	9970192	1	PUMP, FUEL, , FOR FX450/9645 ONLY, INCL. ALL FIGS.
2	71445070	1	CONNECTOR, HYD.,
3	79102554	1	GASKET,
4	79070369	1	GASKET,
5	79102553	1	PISTON,
6	9966645	1	SPRING,
7	79102544	2	CAP, WASHER,
8	79102551	1	VALVE, HYDRAULIC,
9	79102552	1	SPACER,
10	9966646	1	BUSHING, THREADED,
11	71445072	1	CONNECTOR, HYD., , UP TO PUMP TYPE FD366
11	9967629	1	CONNECTOR, HYD., , FROM PUMP TYPE FD367
12	76026139	1	GASKET, , UP TO PUMP TYPE FD366
12	9967628	1	ELEMENT, SEALING, , FROM PUMP TYPE FD367
13	9967955	1	ROD,
14	9922406	1	WASHER, SEALING,
15	9968879	1	PUMP, FUEL,



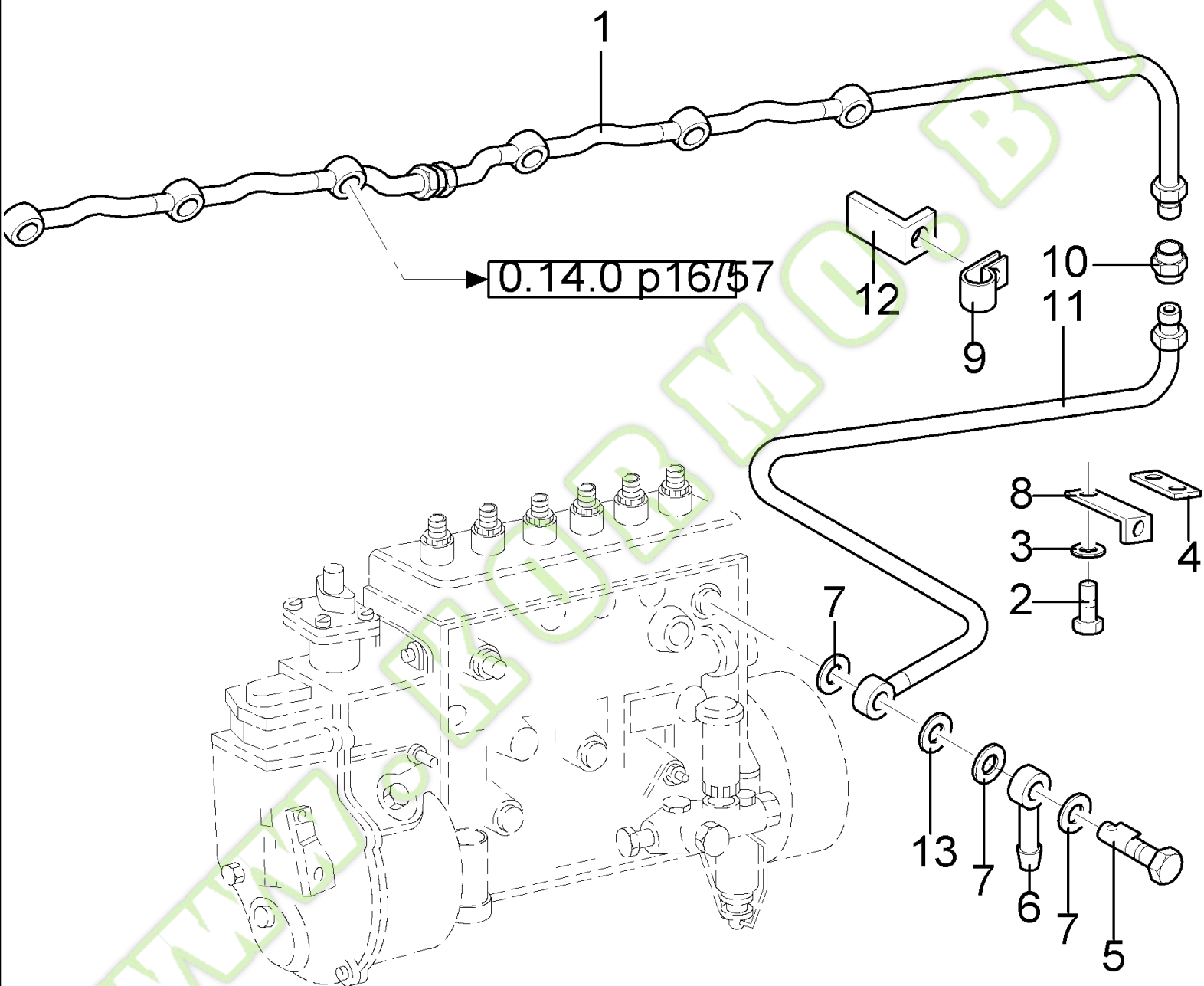


## FX375 NH SELF PROPELLED FORAGE HARVESTER - YELLOW VERSION

## 0.14.0(20) INJECTION NOZZLE - LINES

Ref	Part Number	Qty	Description
1	99432235	1	HOSE KIT,
2	10902424	3	SCREW, Hex, M6 x 20, 8.8, Full Thd, M6X20
3	11193874	3	WASHER, LOCK, Belleville, M8.4,
4	99462902	3	BRACKET,
5	14496404	3	WASHER, LOCK,
6	15896221	3	NUT, M6, CI 10, M6

WWW.KORMO.BY

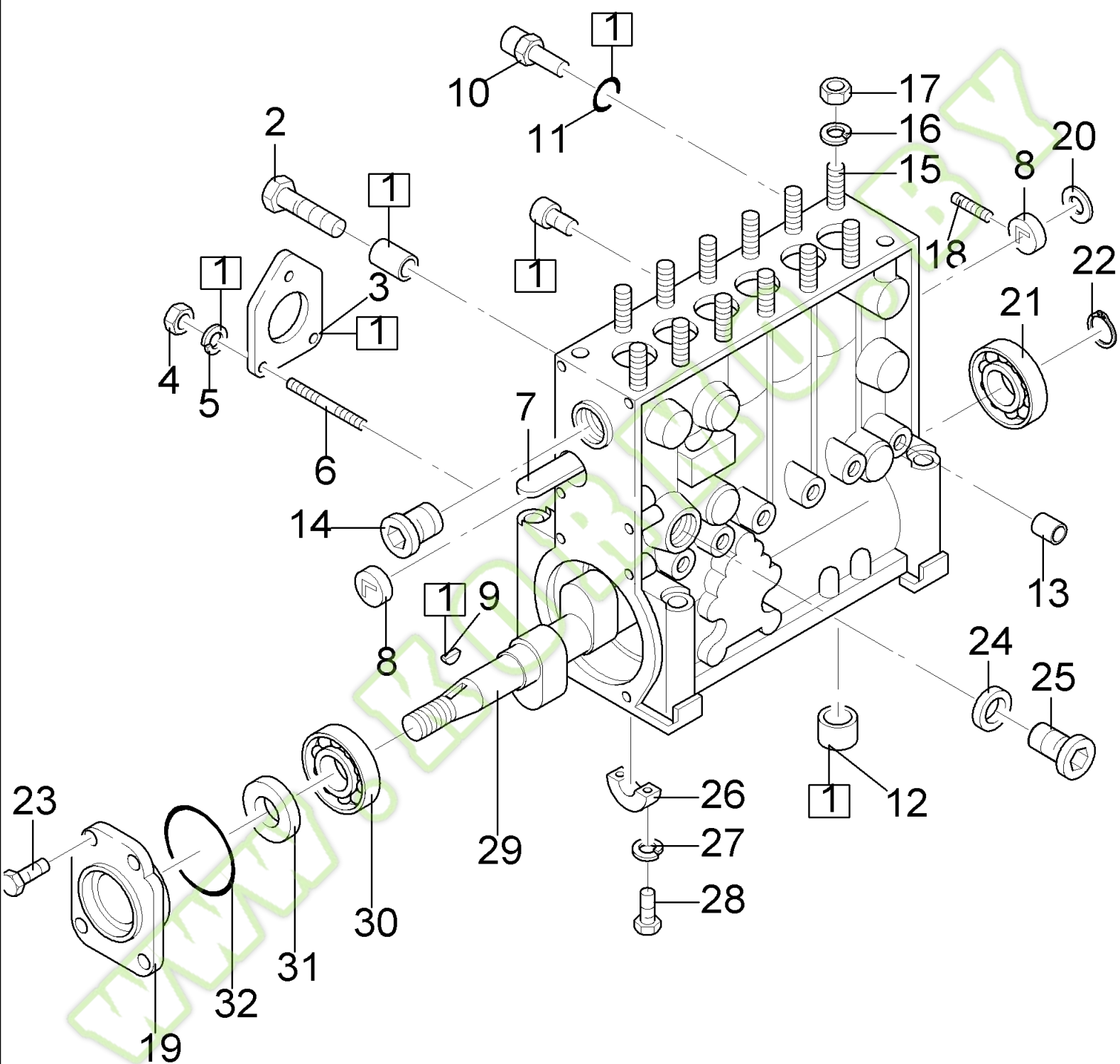


## FX375 NH SELF PROPELLED FORAGE HARVESTER - YELLOW VERSION

## 0.14.0(21) FUEL PIPING

Ref	Part Number	Qty	Description
1	98435435	1	TUBE, RIGID,
2	10902024	1	BOLT, Hex, M6 x 12, 8.8, Full Thd,
3	11197774	1	WASHER, LOCK, Belleville, M6.4,
4	4656139	1	CLIP, HOSE, , -C0408
5	61320123	1	BOLT, BANJO,
6	99462917	1	TUBE, RIGID,
7	98474308	7	WASHER, SEALING,
8	99462916	1	BRACKET,
9	10449890	1	COLLAR, RETAINER,
10	16501511	1	CONNECTOR, HYD.,
11	99462915	1	TUBE, RIGID,
12	4929652	1	COLLAR, RETAINER,
13	4858608	1	GASKET,

WWW.KORMO.BY

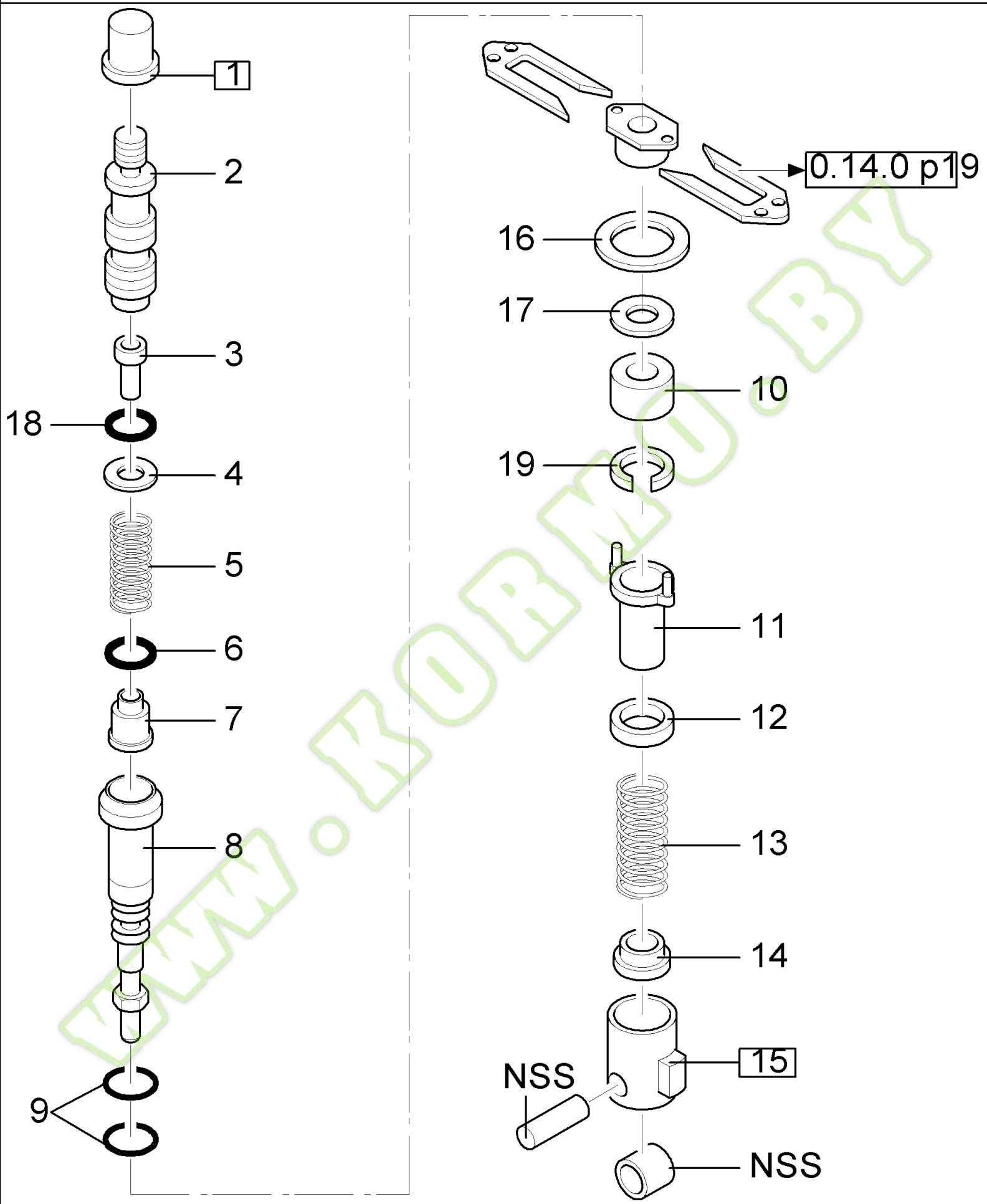


## FX375 NH SELF PROPELLED FORAGE HARVESTER - YELLOW VERSION

## 0.14.0(25) INJECTION PUMP

Ref	Part Number	Qty	Description
1	9967563	1	KIT, SEALS, (3,5,9,11,12)
2	772309	1	VALVE, HYDRAULIC, , FOR FX450/9645 ONLY
3	76026116	1	GASKET,
4	15896221	3	NUT, M6, CI 10,
5	10571574	3	WASHER, LOCK,
6	11500211	3	STUD,
7	772213	1	ROD, ADJUSTMENT,
8	772354	2	BUSHING,
9	9929164	1	KEY,
10	9967554	1	VALVE, HYDRAULIC, , FOR FX375/9640 ONLY
11	74061045	1	GASKET, , FOR FX375/9640 ONLY
12	9967636	6	BUSHING,
13	79046030	6	BUSHING, , FOR FX375/9640 ONLY
13	9967854	6	BUSHING, , FOR FX450/9645 ONLY
14	8112591	1	PLUG, , FOR FX375/9640 ONLY
14	75204112	1	PLUG, , FOR FX450/9645 ONLY
15	76031625	12	STUD,
16	9967555	12	WASHER, LOCK,
17	9967632	12	NUT,
18	772353	1	PIN, ROLL,
19	9967561	2	CAP, FLANGE COVER,
20	772244	1	SHIM, {PP:80772244}
21	9967410	1	BEARING ASSY,
22	9967556	1	RING, LOCKING,
23	9967557	4	SCREW,
24	9957969	1	SPACER,
25	9929727	1	PLUG,
26	9967411	1	BEARING, CRANKSHAFT,
27	9967560	2	WASHER, LOCK,
28	9967559	2	SCREW,
29	9967558	1	CAMSHAFT,
30	9967414	1	BEARING ASSY,
31	9966633	1	GASKET,
32	9967562	1	GASKET,

0.14.0(30) INJECTION PUMP



## FX375 NH SELF PROPELLED FORAGE HARVESTER - YELLOW VERSION

## 0.14.0(30) INJECTION PUMP

Ref	Part Number	Qty	Description
1	9967563	1	KIT, SEALS, (9,16 TO 19)
2	9967547	6	CONNECTOR, HYD.,
3	9967548	6	PLUNGER,
4	79026508	AR	WASHER,
5	42493104	6	SPRING,
6	9967549	6	GASKET,
7	9967550	6	VALVE, HYDRAULIC,
8	9967546	6	CYLINDER, , FOR FX375/9640 ONLY
8	9967851	6	PLUNGER, , FOR FX450/9645 ONLY
9	79038451	12	O-RING,
10	9967634	6	PLUG, , FOR FX375/9640 ONLY
10	9967852	6	BUSHING, , FOR FX450/9645 ONLY
11	9967406	6	BUSHING,
12	79038390	6	CAP, WASHER,
13	9967407	6	SPRING,
14	9967552	6	PLUG,
15	9967553	6	TAPPET, , FOR FX375/9640 ONLY
15	9967408	6	TAPPET, , FOR FX450/9645 ONLY
16	9967551	6	RING,
17	9967409	6	PLATE,
18	9967404	6	GASKET,
19	76026104	6	RING, LOCKING,

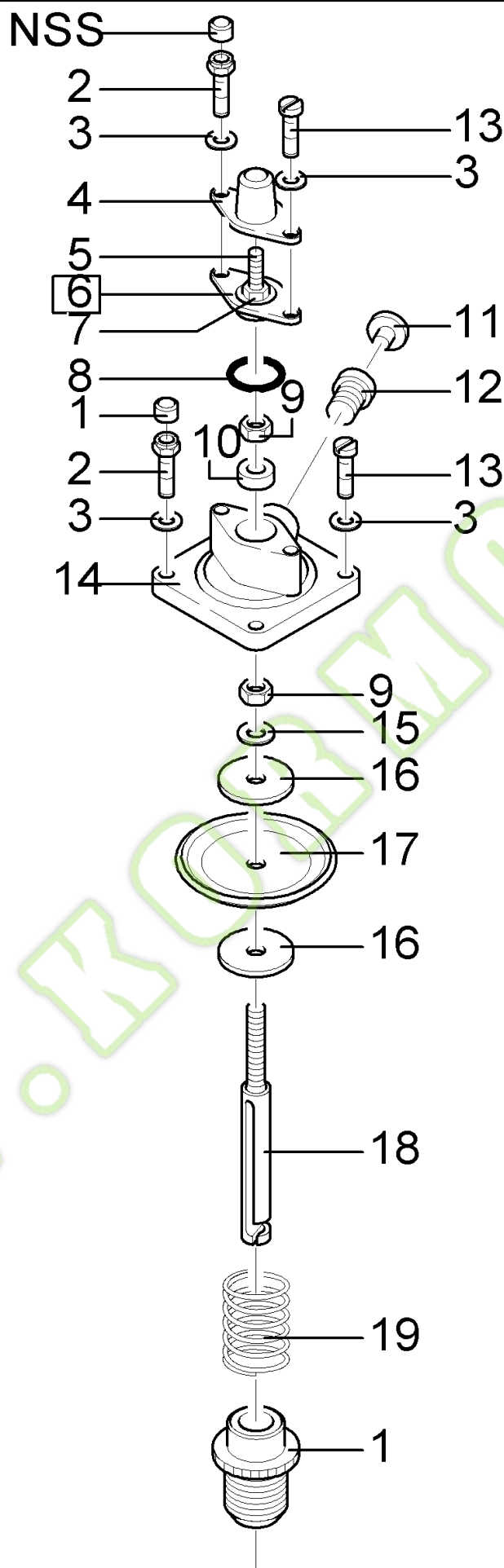




## FX375 NH SELF PROPELLED FORAGE HARVESTER - YELLOW VERSION

## 0.14.0(32) INJECTION PUMP

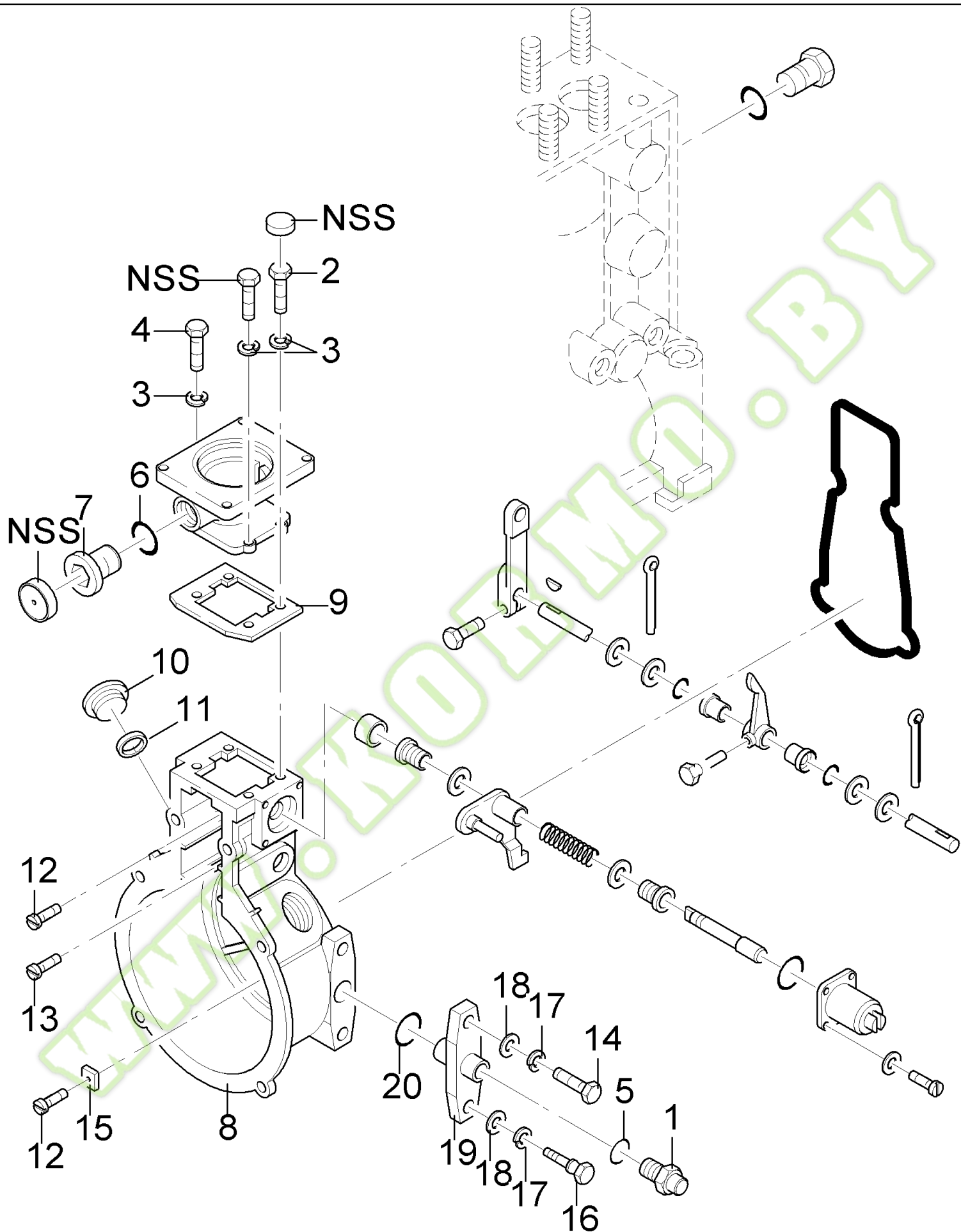
Ref	Part Number	Qty	Description
1	772227	AR	SHIM, THK.:0.40MM
1	75128861	AR	WASHER, THK.:0.45MM
1	772229	AR	SHIM, THK.:0.50MM
1	772230	AR	SHIM, THK.:0.55MM
1	772231	AR	SHIM, THK.:0.60MM
1	75128862	AR	WASHER, THK.:0.65MM
1	772233	AR	SHIM, THK.:0.70MM
1	772234	AR	SHIM, THK.:0.75MM
1	772235	AR	SHIM, THK.:0.80MM
1	772236	AR	SHIM, Hex Soc Hd, 1/2"-13 x 3 1/4", THK.:0.85MM
1	772237	AR	SHIM, THK.:0.90MM
1	772238	AR	SHIM, THK.:0.95MM
1	772239	AR	SHIM, THK.:1MM
1	772240	AR	SHIM, THK.:1.05MM
1	772241	AR	SHIM, {PP:80772241} THK.:1.10MM
1	772242	AR	SHIM, {PP:80772242} THK.:1.15MM
1	772242	AR	SHIM, {PP:80772242} THK.:1.15MM
1	772243	AR	SHIM, THK.:1.20MM
1	772244	AR	SHIM, {PP:80772244} THK.:1.25MM
1	772245	AR	SHIM, THK.:1.30MM
1	772246	AR	SHIM, THK.:1.35MM
1	772247	AR	SHIM, THK.:1.40MM
1	772248	AR	SHIM, {PP:80772248} THK.:1.45MM
1	772249	AR	SHIM, {PP:80772249} THK.:1.50MM
1	772250	AR	HOUSING, {PP:80772250} THK.:1.55MM
1	772251	AR	SHIM, THK.:1.60MM



## FX375 NH SELF PROPELLED FORAGE HARVESTER - YELLOW VERSION

## 0.14.0(36) INJECTION PUMP

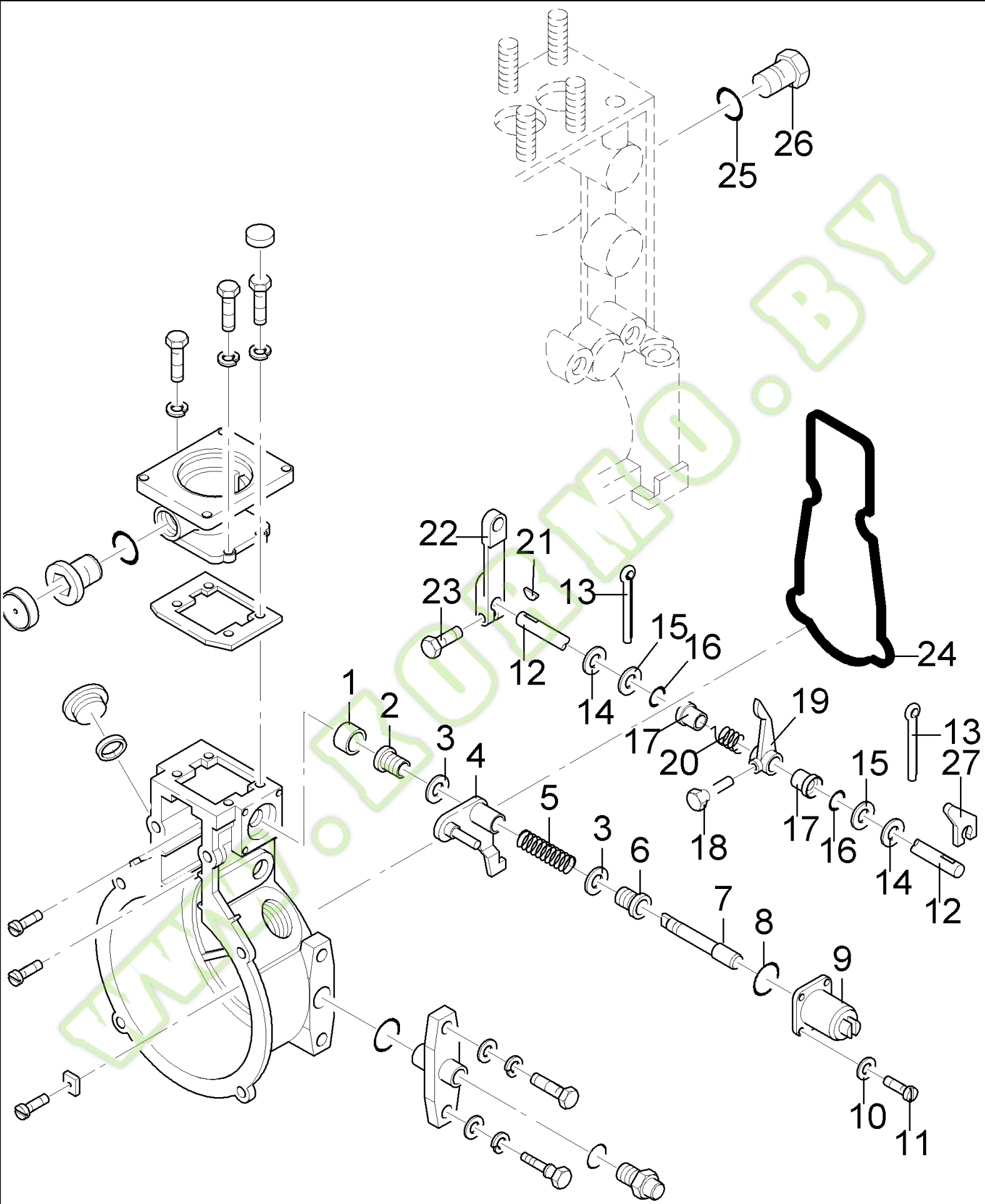
Ref	Part Number	Qty	Description
1	79097280	1	BUSHING,
2	9967631	2	SCREW,
3	10571574	2	WASHER, LOCK,
4	9966703	1	COVER,
5	79048248	1	STUD,
6	1307838	1	PLUG, (5,7)
7	42488393	1	NUT,
8	79038451	1	O-RING,
9	9966700	2	NUT,
10	9967859	1	RING,
11	79033453	1	PLUG,
12	9966702	1	BUSHING, THREADED,
13	10376724	4	SCREW, Slotted, Pan Hd, M6 x 16,
14	9967598	1	COVER,
15	9963377	1	WASHER, LOCK,
16	71445103	1	WASHER,
17	71445104	1	DIAPHRAGM,
18	9967858	1	ROD,
19	9967596	1	SPRING, , FOR FX375/9640 ONLY
19	9967857	1	SPRING, , FOR FX450/9645 ONLY



## FX375 NH SELF PROPELLED FORAGE HARVESTER - YELLOW VERSION

## 0.14.0(41) INJECTION PUMP

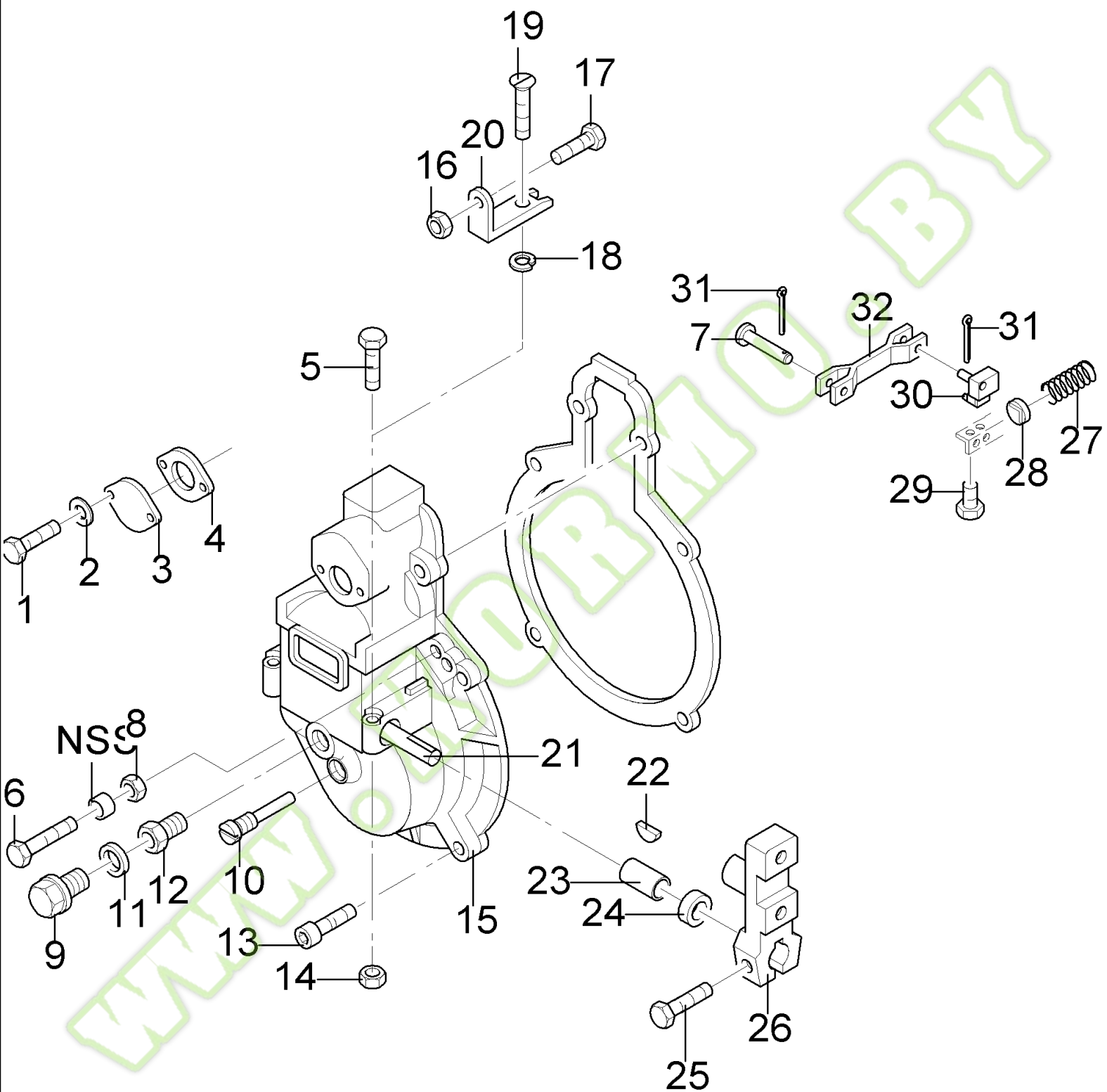
Ref	Part Number	Qty	Description
1	9966686	1	PLUG,
2	9967631	4	SCREW, , FOR FX375/9640 ONLY
2	9967878	4	SCREW, , FOR FX450/9645 ONLY
3	10571574	4	WASHER, LOCK,
4	10902424	3	SCREW, Hex, M6 x 20, 8.8, Full Thd,
5	722441	1	GASKET,
6	76030848	1	GASKET,
7	9966704	1	PLUG,
8	9967578	1	CASING, , FOR FX375/9640 ONLY
8	9967867	1	COVER, , FOR FX450/9645 ONLY
9	79048250	1	GOVERNOR, SPEED,
10	9967280	2	PLUG,
11	9966716	2	GASKET,
12	76030839	2	SCREW,
13	9967582	2	SCREW,
14	9966728	1	SCREW,
15	9967583	4	WASHER, LOCK,
16	9966720	1	SCREW,
17	10516674	2	WASHER, LOCK,
18	9967595	2	WASHER,
19	75207996	1	FLANGE,
20	9966721	1	GASKET,



## FX375 NH SELF PROPELLED FORAGE HARVESTER - YELLOW VERSION

## 0.14.0(43) INJECTION PUMP

Ref	Part Number	Qty	Description
1	79033439	1	PLUG,
2	79033440	1	NUT, RING,
3	79062709	2	WASHER,
4	79033444	1	PIN,
5	79033441	1	SPRING,
6	79033445	1	BUSHING,
7	79033442	1	PIN,
8	79062710	1	RING,
9	773719	1	ELECTROMAGNET,
10	79097341	4	WASHER,
11	10389421	4	SCREW,
12	9967579	1	SHAFT, , FOR FX375/9640 ONLY
12	79039761	1	SHAFT, , FOR FX450/9645 ONLY
13	79111849	2	PIN, SPLIT (COTTER),
14	1288461	AR	SHIM,
15	9967580	2	WASHER, , FOR FX375/9640 ONLY
15	14499401	2	WASHER, M8 x 14 x 1.6, , FOR FX450/9645 ONLY
16	79039757	2	GASKET,
17	9966647	2	BUSHING, , FOR FX375/9640 ONLY
17	42485249	2	BUSHING, , FOR FX450/9645 ONLY
18	79039754	1	SCREW,
19	79046293	1	LEVER, , FOR FX375/9640 ONLY
19	9967868	1	LEVER, , FOR FX450/9645 ONLY
20	79033425	1	SPRING,
21	1136607	1	KEY,
22	9982762	1	LEVER, , FOR FX450/9645 ONLY
23	9009620	1	SCREW, , FOR FX450/9645 ONLY
24	9969400	1	GASKET,
25	9957969	1	SPACER,
26	772716	1	PLUG, 17MM
27	9967581	1	LEVER, , FOR FX375/9640 ONLY

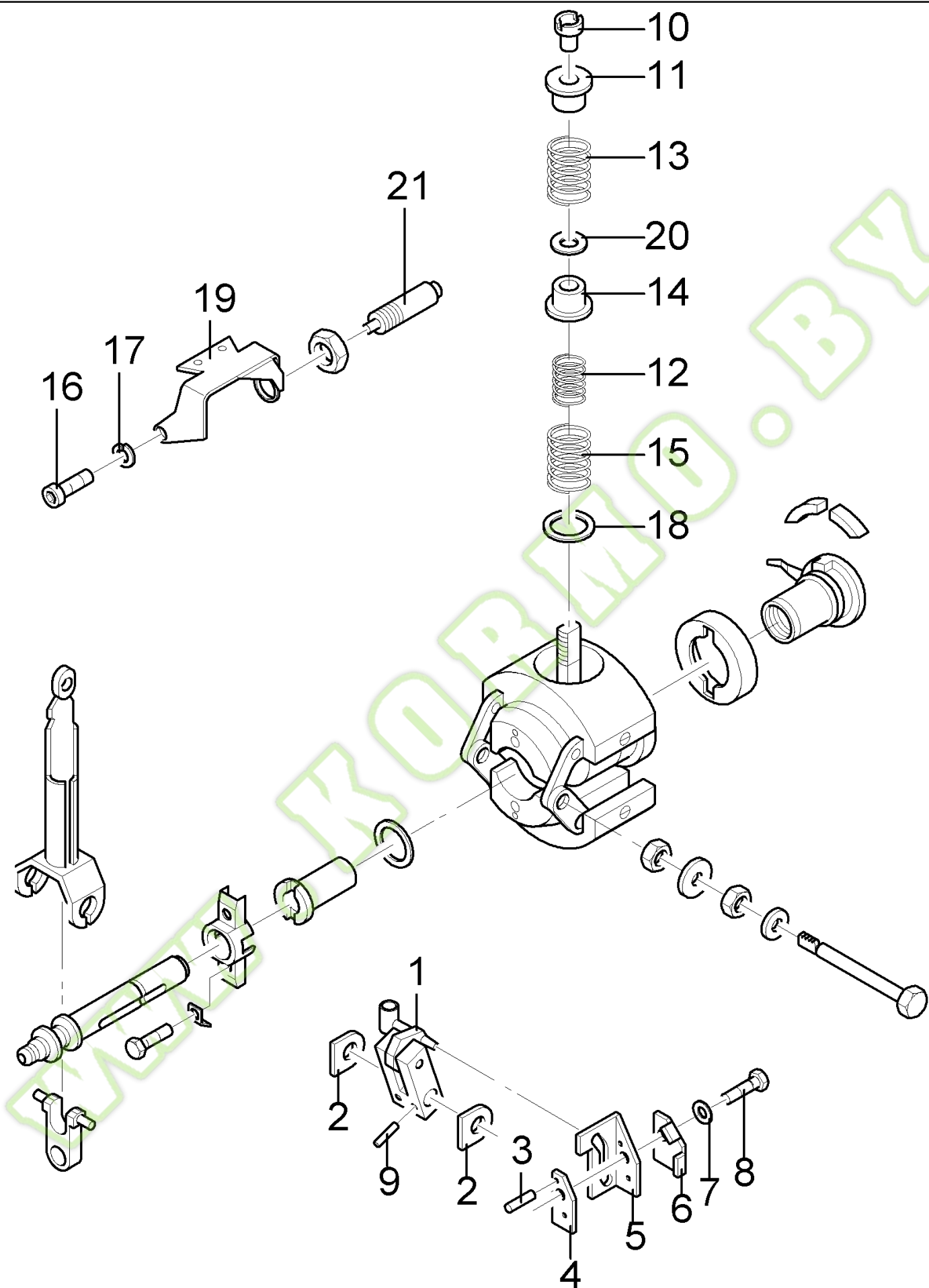




## FX375 NH SELF PROPELLED FORAGE HARVESTER - YELLOW VERSION

## 0.14.0(47) INJECTION PUMP

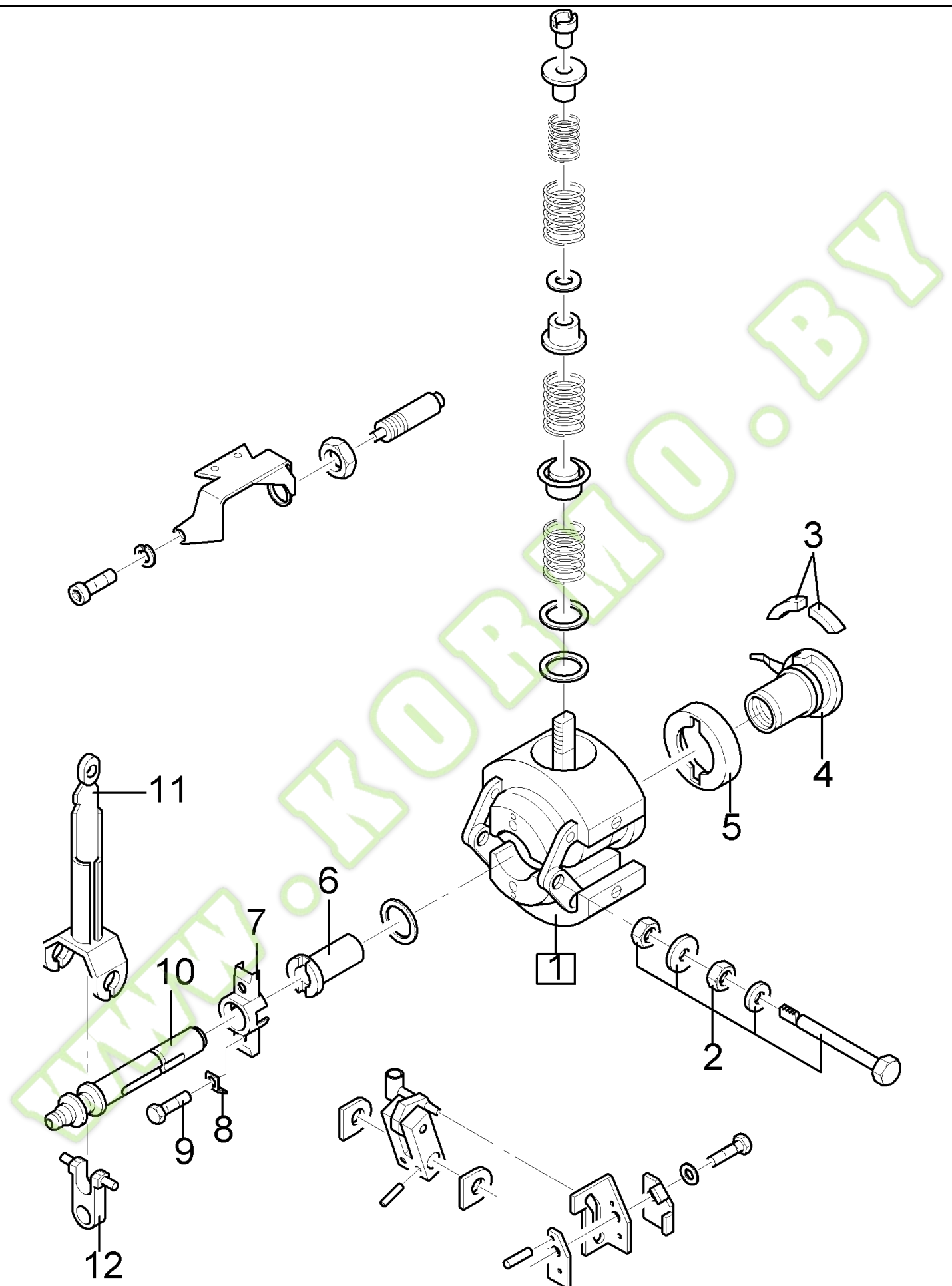
Ref	Part Number	Qty	Description
1	10376511	2	SCREW,
2	10571574	2	WASHER, LOCK,
3	773669	1	CHANNEL, {PP:80773669}
4	79026127	1	STRAP,
5	772829	1	SCREW, , FOR FX450/9645 ONLY
6	79094076	1	SCREW,
7	79111985	1	PIN,
8	9967874	1	NUT,
9	1288190	1	PLUG,
10	76034141	1	SCREW,
11	79038381	1	GASKET,
12	772075	1	BUSHING,
13	76034148	5	SCREW, , FOR FX375/9640 ONLY
13	9967875	6	SCREW, , FOR FX450/9645 ONLY
14	15896221	1	NUT, M6, CI 10,
15	9967876	1	COVER,
16	15896221	1	NUT, M6, CI 10, , FOR FX375/9640 ONLY
17	9966671	1	SCREW, , FOR FX375/9640 ONLY
18	14496404	1	WASHER, LOCK, , FOR FX375/9640 ONLY
19	9966678	1	SCREW, , FOR FX375/9640 ONLY
20	9966677	1	BRACKET, , FOR FX375/9640 ONLY
21	79039761	1	SHAFT,
22	10205710	1	KEY,
23	9967588	2	BUSHING,
24	9967418	2	GASKET,
25	79111846	2	SCREW,
26	76034143	1	LEVER, , FOR FX375/9640 ONLY
26	9930880	1	LEVER, , FOR FX450/9645 ONLY
27	774245	1	SPRING,
28	9966694	1	CAP, WASHER,
29	9967586	2	SCREW,
30	773695	1	PIN,
31	76026122	1	PIN, SPLIT (COTTER),
32	79048241	1	YOKE,



## FX375 NH SELF PROPELLED FORAGE HARVESTER - YELLOW VERSION

## 0.14.0(53) INJECTION PUMP

Ref	Part Number	Qty	Description
1	9967590	1	LEVER,
2	9967279	2	PLATE, COVER,
3	9017850	2	PIN, ROLL,
4	1288638	AR	PLATE, COVER, 0.2MM
4	1288639	AR	PLATE, COVER, 0.3MM
5	9967589	1	PAD, SLIDING, , FOR FX375/9640 ONLY
5	772830	1	LINK BLOCK, , FOR FX450/9645 ONLY
6	80773204	1	SUPPORT,
7	10516474	1	WASHER, LOCK,
8	10902524	1	SCREW, Hex, M6 x 22, 8.8, Full Thd,
9	79111848	1	PIN, ROLL,
10	79035483	2	NUT,
11	79035484	2	CAP, WASHER,
12	774420	2	SPRING,
13	764051	2	SPRING,
14	774421	2	CAP, WASHER,
15	76034136	2	SPRING,
16	9967594	1	SCREW, , FOR FX375/9640 ONLY
17	10571574	1	WASHER, LOCK, , FOR FX375/9640 ONLY
18	4935634	2	WASHER, , FOR FX375/9640 ONLY
19	9967600	1	BRACKET, SUPPORTING, , FOR FX375/9640 ONLY
20	79023644	AR	WASHER, LOCK,
21	9966723	1	KIT, , FOR FX375/9640 ONLY



## FX375 NH SELF PROPELLED FORAGE HARVESTER - YELLOW VERSION

## 0.14.0(55) INJECTION PUMP

Ref	Part Number	Qty	Description
1	9967601	1	GOVERNOR, SPEED, (2 TO 12)
2	9007831	1	KIT,
3	76026136	4	DAMPER, , FOR FX375/9640 ONLY
3	9966729	4	BUMPER, , FOR FX450/9645 ONLY
4	9967602	1	COUPLING,
5	76026138	1	CUP, COVER,
6	76026137	1	COUPLING,
7	79106753	1	BUSHING,
8	79023646	2	WASHER,
9	71445120	2	SCREW,
10	772852	1	PIN,
11	772847	1	LEVER,
12	1288706	1	ARTICULATION,

WWW.KORMO.BY

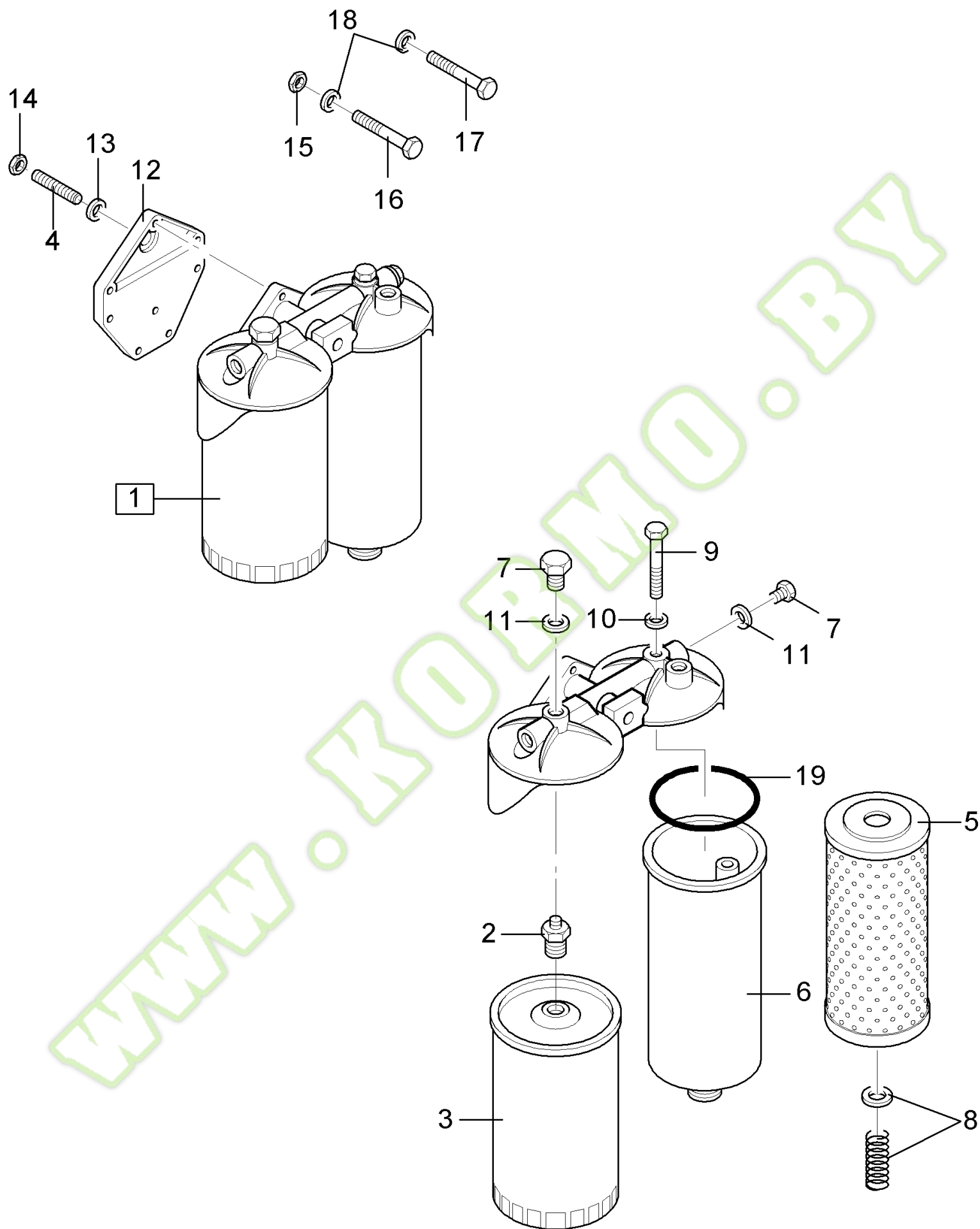


## FX375 NH SELF PROPELLED FORAGE HARVESTER - YELLOW VERSION

## 0.14.0(56) INJECTION PUMP

Ref	Part Number	Qty	Description
1	772532	1	WASHER, 1.60MM
1	79062771	1	WASHER, 1.63MM
1	79062772	1	WASHER, 1.66MM
1	79062773	1	WASHER, 1.69MM
1	79062774	1	WASHER, 1.72MM
1	79062775	1	WASHER, 1.75MM
1	79062776	1	WASHER, 1.78MM
1	79062777	1	WASHER, 1.81MM
1	79062778	1	WASHER, 1.84MM
1	79062779	1	WASHER, 1.87MM
1	79062780	1	WASHER, 1.90MM
1	79062781	1	WASHER, 1.93MM
1	79062782	1	WASHER, 1.96MM
1	79062783	1	WASHER, 1.99MM
1	79062784	1	WASHER, 2.02MM
1	79062785	1	WASHER, 2.05MM
1	79062786	1	WASHER, 2.08MM
1	79023699	1	WASHER, 2.11MM
1	79062788	1	WASHER, 2.14MM

0.20.0(01) FUEL FILTER

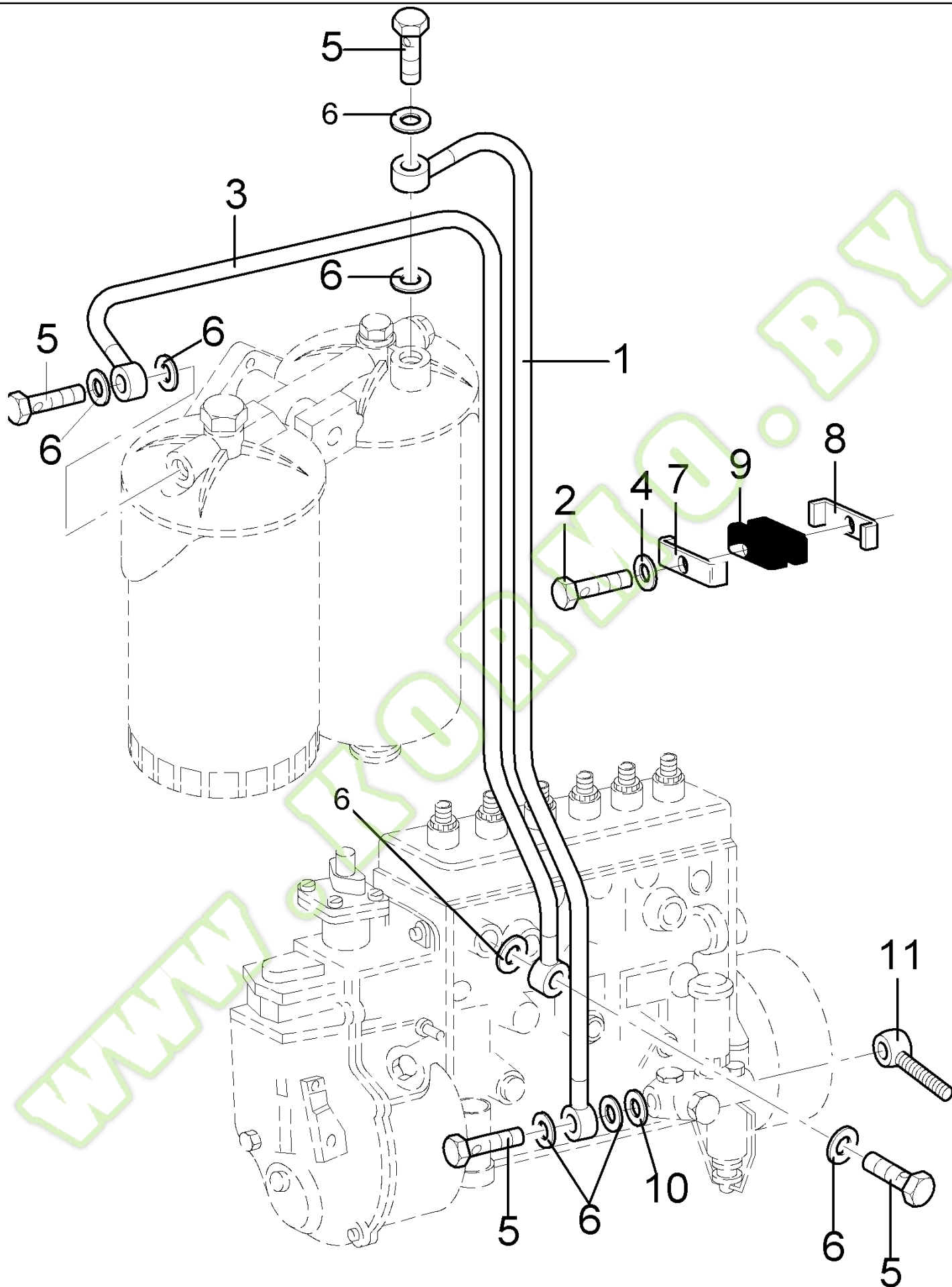




## FX375 NH SELF PROPELLED FORAGE HARVESTER - YELLOW VERSION

## 0.20.0(01) FUEL FILTER

Ref	Part Number	Qty	Description
1	4690738	1	FILTER, FUEL, (2,3,6,7,8,10,11)
2	4626466	1	CONNECTOR, HYD.,
3	1909103	1	FILTER, ELEMENT,
4	13516821	4	STUD,
5	1909107	1	FILTER, ELEMENT,
6	4964487	1	CONTAINER,
7	79000019	2	PLUG,
8	4965120	1	SPRING,
9	4964320	1	SCREW,
10	10298350	1	GASKET, M10.2 x 16 x 1, Alum,
11	4858608	2	GASKET,
12	8012750	1	SUPPORT,
13	11193874	4	WASHER, LOCK, Belleville, M8.4, 8MM
14	16100821	4	NUT, M8, CI 10, M8
15	15500121	3	NUT, M10
16	16609224	1	SCREW, M10X140
17	11106424	2	SCREW, Hex, M10 x 30, 8.8, Full Thd, M10X30
18	11190574	3	WASHER, LOCK, Belleville, M10.5,
19	4727257	1	O-RING,

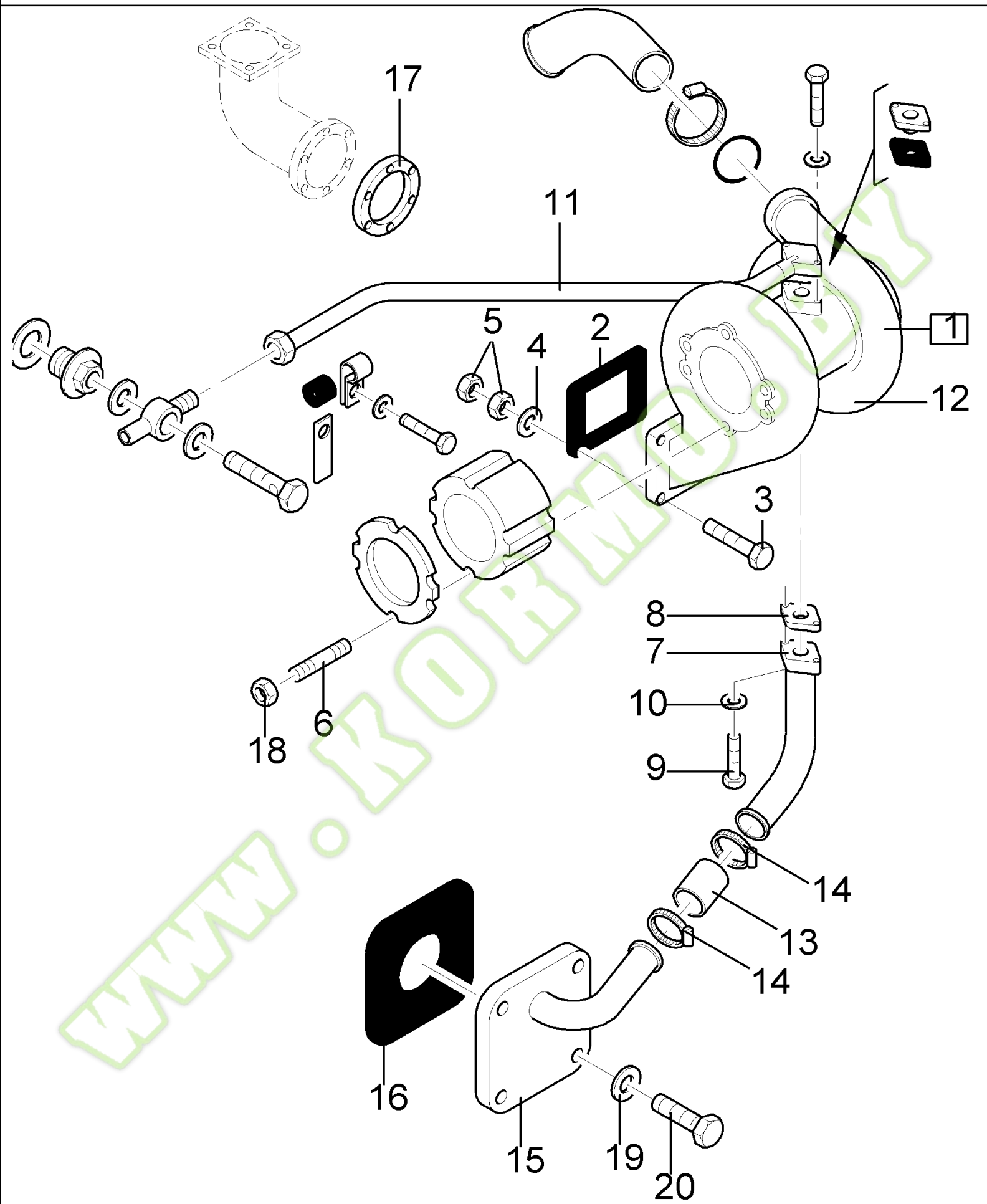


## FX375 NH SELF PROPELLED FORAGE HARVESTER - YELLOW VERSION

## 0.20.3(01) FUEL PIPING

Ref	Part Number	Qty	Description
1	99462912	1	TUBE, RIGID,
3	99462913	1	TUBE, RIGID,
4	11197774	1	WASHER, LOCK, Belleville, M6.4,
5	4864083	5	BOLT, BANJO,
6	98474308	10	WASHER, SEALING,
7	4644288	1	COLLAR, RETAINER,
8	4644289	1	COLLAR, RETAINER,
9	4871771	1	CLIP, HOSE,
10	4858608	2	GASKET, , D0900-
11	98417703	1	CONNECTION, SWIVEL, , D0900-
2	10902624	1	SCREW, Hex, M6 x 25, 8.8, Full Thd, M6X25

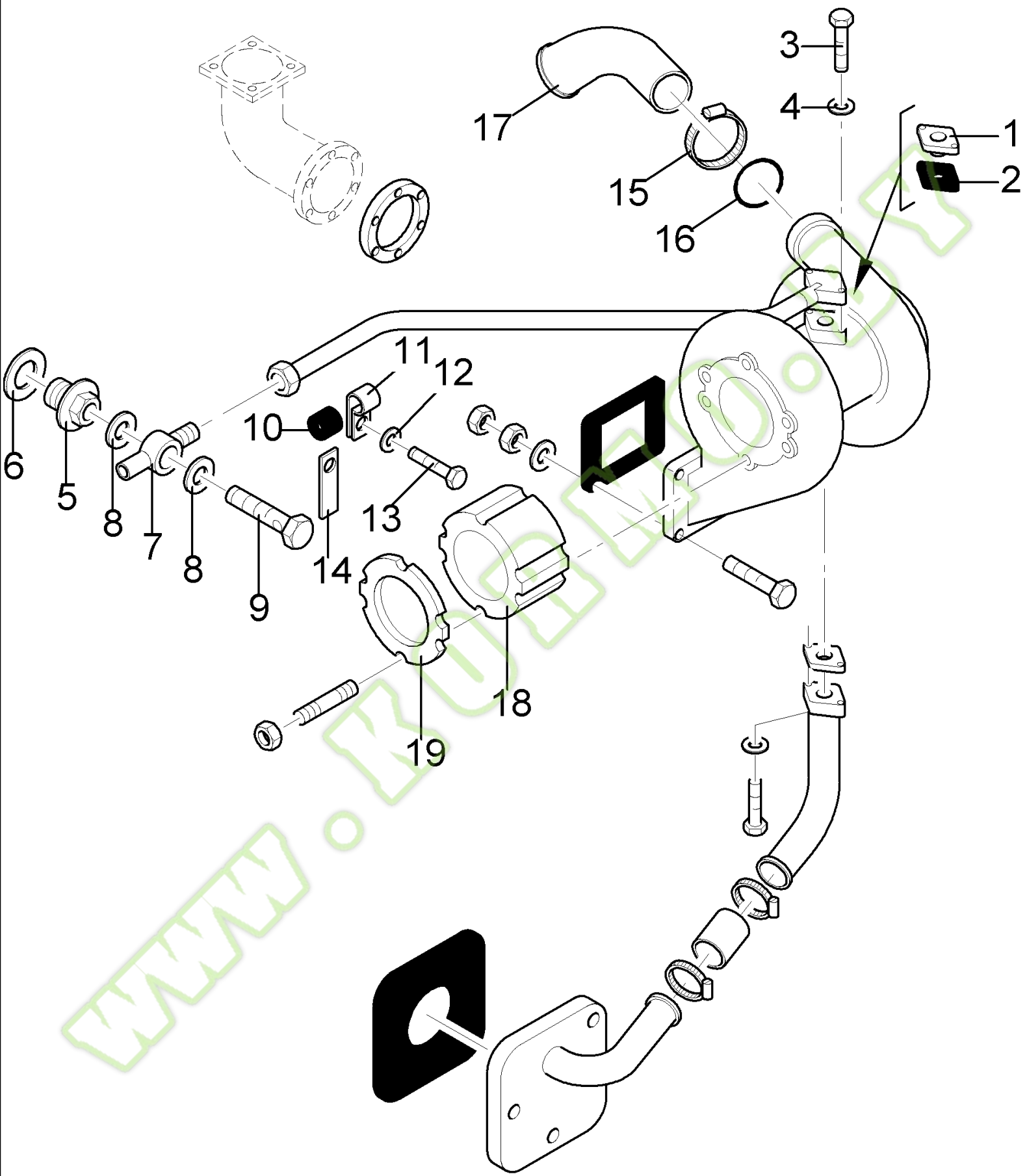
WWW.KORMO.BY



## FX375 NH SELF PROPELLED FORAGE HARVESTER - YELLOW VERSION

## 0.24.0(01) TURBOCHARGER

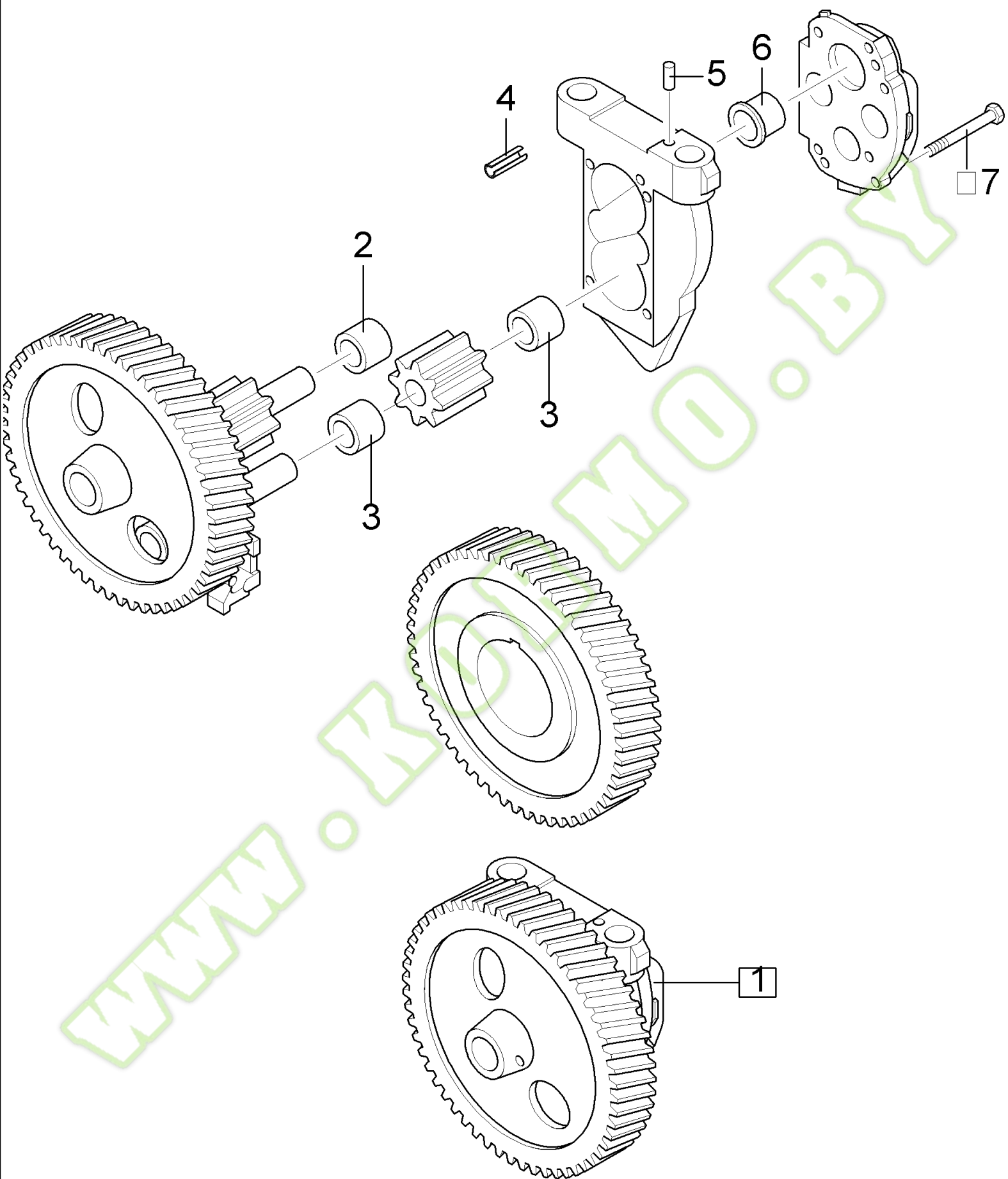
Ref	Part Number	Qty	Description
1	98462946	1	TURBOCHARGER, (12), FOR FX300/9630 ONLY
1	99463011	1	TURBOCHARGER, (12), FOR FX375/9640 ONLY
1	99462919	1	TURBOCHARGER, (12), FOR FX450/9645 ONLY
2	4512366	1	GASKET,
3	98480687	4	SCREW,
4	10730521	4	WASHER, M10 x 20 OD x 2.5 Thk,
5	12164721	8	NUT, M10 x 1.25, CI 10,
6	4731721	6	STUD,
7	99462922	1	TUBE, RIGID, , FOR FX300/9630 ONLY
7	99462923	1	TUBE, RIGID, , FOR FX375-450/9640-9645 ONLY
8	98412509	2	GASKET, , FOR FX300/9630 ONLY
8	4863965	2	GASKET, , FOR FX375-450/9640-9645 ONLY
9	16043624	2	SCREW, Hex, M8 x 25, 8.8, Full Thd, Cap, HH, CL 8.8, M8 x 1.25 x 25, FOR FX300/9630 ONLY
9	4873305	2	SCREW, , FOR FX375-450/9640-9645 ONLY
10	11193874	2	WASHER, LOCK, Belleville, M8.4, , FOR FX300/9630 ONLY
10	17798374	2	WASHER, , FOR FX375-450/9640-9645 ONLY
11	99462920	1	TUBE, RIGID,
12	9967421	1	KIT, REPAIR, , FOR FX300/9630 ONLY
12	9967836	1	KIT, , FOR FX375-450/9640-9645 ONLY
13	4865231	1	HOSE,
14	13000690	2	CLIP, HOSE,
15	99462924	1	PLATE, , FOR FX450/9645 ONLY
16	4863963	1	GASKET,
17	42075987	1	GASKET,
18	8100961	8	NUT,
19	11193874	5	WASHER, LOCK, Belleville, M8.4, 8MM
20	16043624	4	SCREW, Hex, M8 x 25, 8.8, Full Thd, Cap, HH, CL 8.8, M8 x 1.25 x 25



## FX375 NH SELF PROPELLED FORAGE HARVESTER - YELLOW VERSION

## 0.24.0(03) TURBOCHARGER

Ref	Part Number	Qty	Description
1	4864038	1	GASKET,
2	4863967	1	GASKET,
3	11112424	2	SCREW, Hex, M12 x 30, 8.8, Full Thd, M8X40
4	11193874	2	WASHER, LOCK, Belleville, M8.4, , FOR FX300/9630 ONLY
4	17798374	2	WASHER, , FOR FX375-450/9640-9645 ONLY
5	4682418	1	CONNECTOR, HYD.,
6	10296260	1	GASKET, M28.4 x 36 x 1.5, Copper,
7	98442202	1	CONNECTOR, HYD.,
8	98429280	2	GASKET,
9	98429224	1	BOLT, BANJO,
10	4626901	1	RING, RUBBER,
11	4621091	1	COLLAR,
12	11193874	1	WASHER, LOCK, Belleville, M8.4,
13	16043424	1	SCREW, Hex, M8 x 20, 8.8, Full Thd,
14	8006653	1	SUPPORT, , -C0408
14	99462893	1	SUPPORT, , D0900-
15	4800661	1	CLIP, HOSE,
16	14460181	1	GASKET, -143, CI 7, 2.425" ID x .103" Thk,
17	61318365	1	ELBOW,
18	8105248	1	SPACER, , -C0408
19	8105249	1	RING, , -C0408





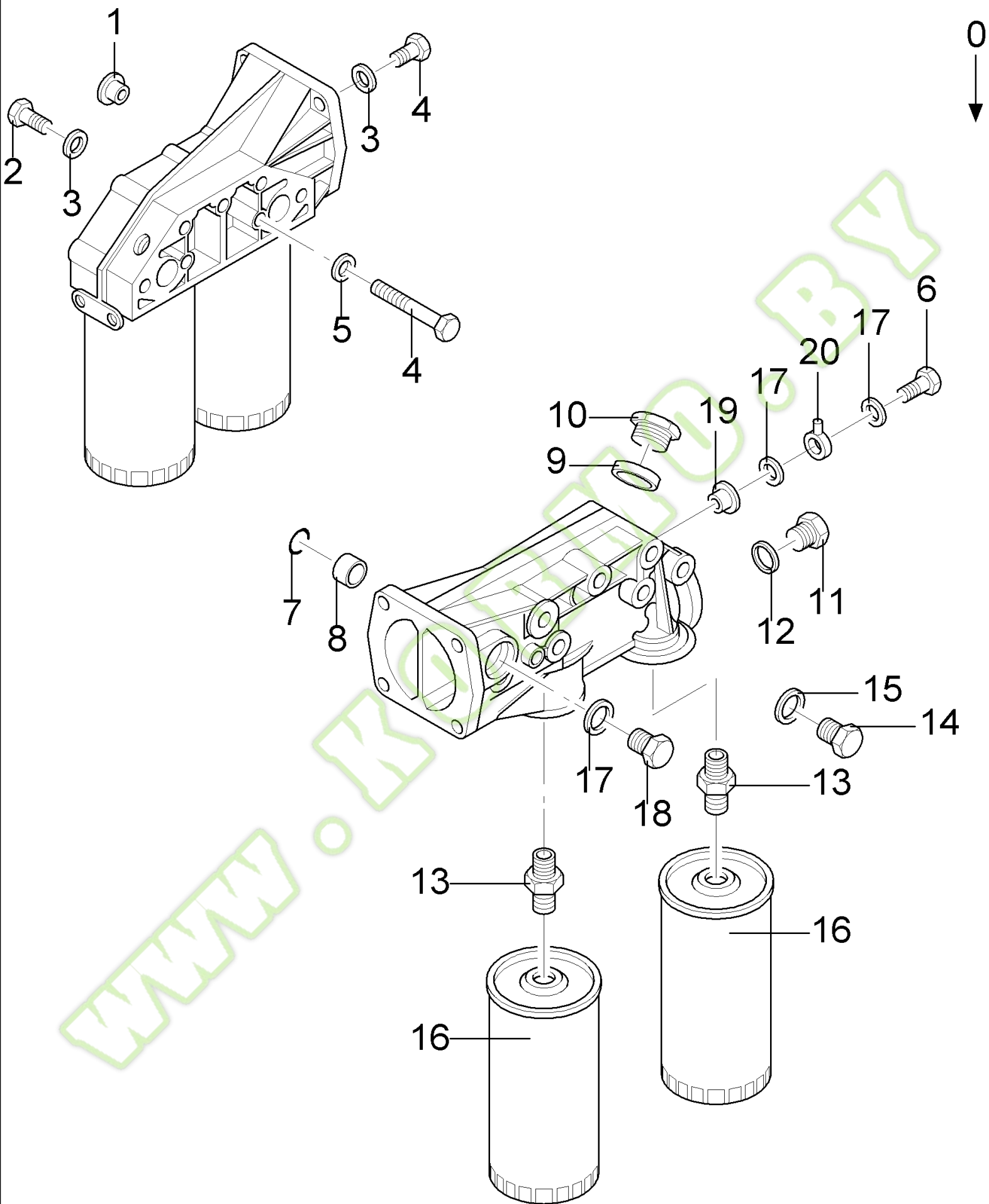
## FX375 NH SELF PROPELLED FORAGE HARVESTER - YELLOW VERSION

## 0.30.0(01) OIL PUMP

Ref	Part Number	Qty	Description
1	99430535	1	PUMP, ENGINE OIL, (2T07)
2	4555588	1	BUSHING,
3	4555595	2	BUSHING,
4	10837610	1	DOWEL,
5	10839610	1	DOWEL,
6	4555591	1	BUSHING,
7	16322130	AR	SCREW, M8X80

WWW.KORMO.BY

0.30.2(01) OIL FILTER



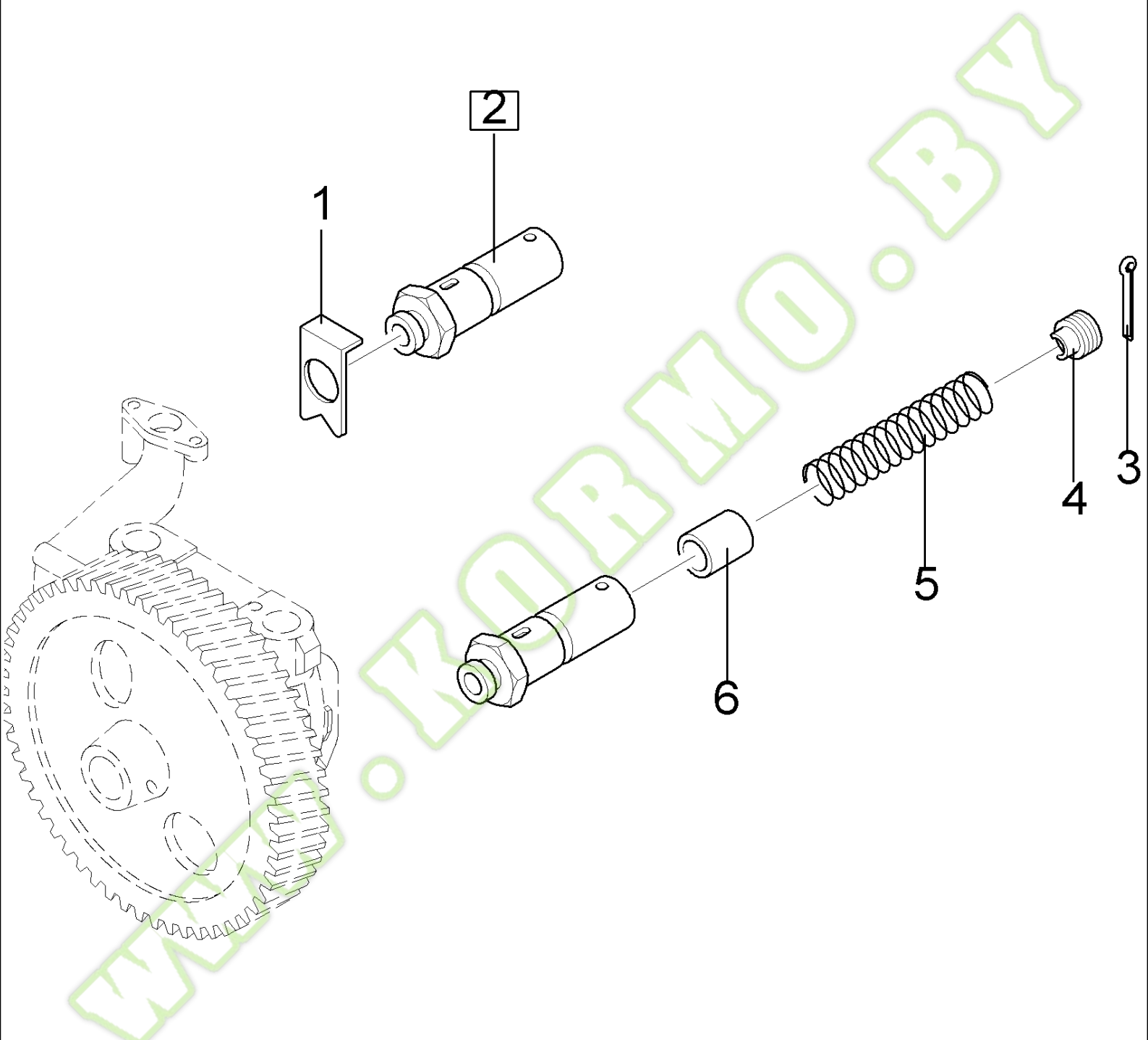
0  
↓

## FX375 NH SELF PROPELLED FORAGE HARVESTER - YELLOW VERSION

## 0.30.2(01) OIL FILTER

Ref	Part Number	Qty	Description
0	98469481	1	SUPPORT, (1 TO 22)
1	4838502	1	GASKET,
2	15972221	3	SCREW, Hex, M10 x 1.25 x 120, 8.8, M10X120
3	11198471	2	WASHER, LOCK, Belleville, M10.5,
4	15972621	8	SCREW, Hex, M10 x 1.25 x 140, 8.8, M10X120
5	11198471	7	WASHER, LOCK, Belleville, M10.5,
6	61319225	1	CONNECTOR, HYD.,
7	14458081	2	O-RING, -122, CI 7, 1.112" ID x .103" Thk,
8	4538571	1	CASE,
9	10265060	1	GASKET, M32.4 x 38 x 1.5, Copper,
10	10276140	1	PLUG,
11	10275040	1	PLUG,
12	10263460	2	GASKET, M22.3 x 28 x 1.5, Copper,
13	4741301	2	CONNECTOR, HYD.,
14	10273140	1	PLUG,
15	4858610	1	GASKET,
16	1930906	2	FILTER, ENGINE OIL, {PP:81930906}
17	4858608	3	GASKET,
18	10300611	1	PLUG,
19	61319226	1	CONNECTOR, HYD.,
20	98438943	1	PLUG,

0.30.3(01) OIL RELIEF VALVE



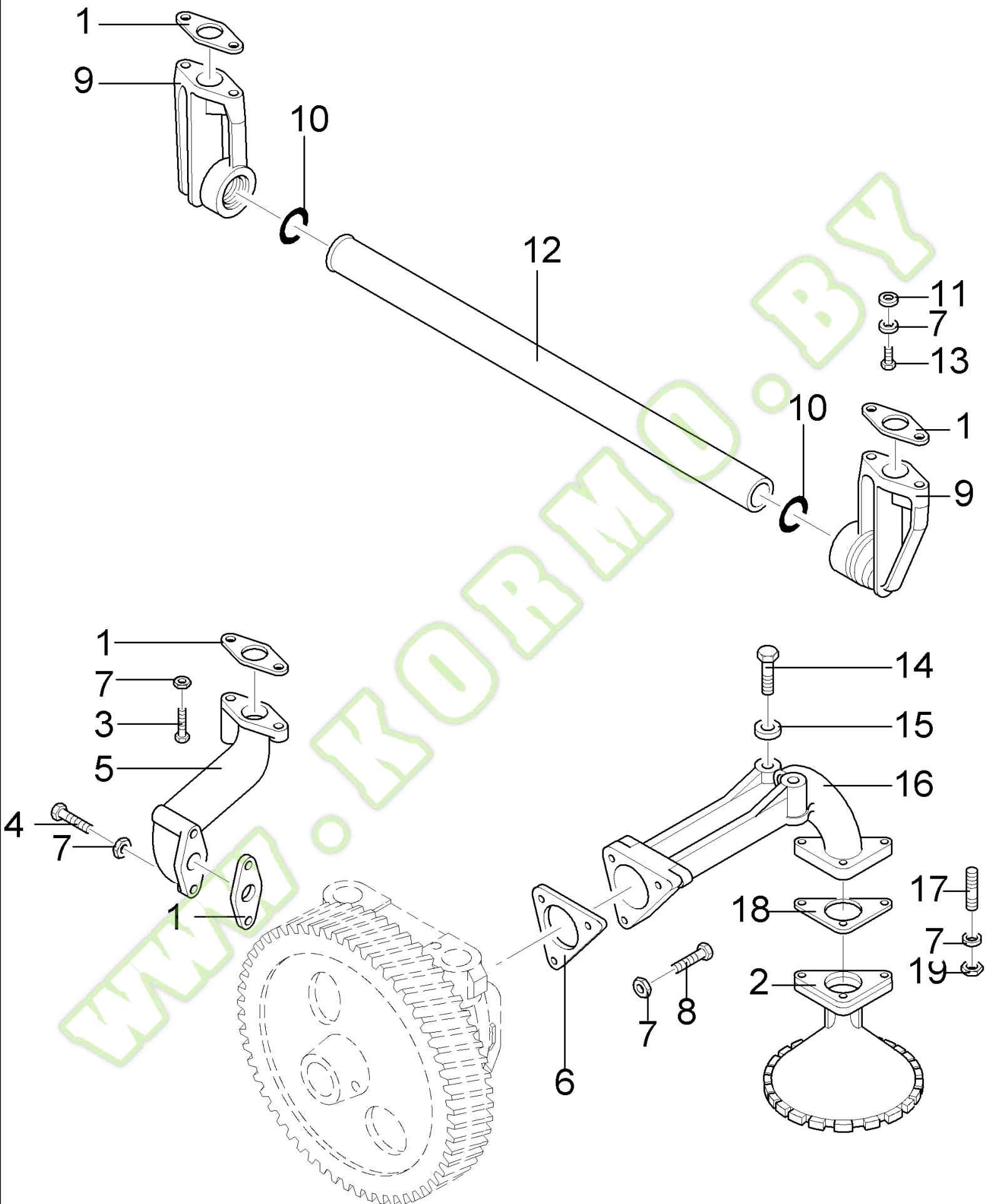
## FX375 NH SELF PROPELLED FORAGE HARVESTER - YELLOW VERSION

## 0.30.3(01) OIL RELIEF VALVE

Ref	Part Number	Qty	Description
1	4643591	1	PLATE, COVER,
2	4740422	1	VALVE, HYDRAULIC, (3TO6)
3	10734801	1	PIN, SPLIT (COTTER), M3.2 x 36,
4	4740423	1	PLUG,
5	4677094	1	SPRING,
6	4672842	1	VALVE, HYDRAULIC,

WWW.KORMO.BY

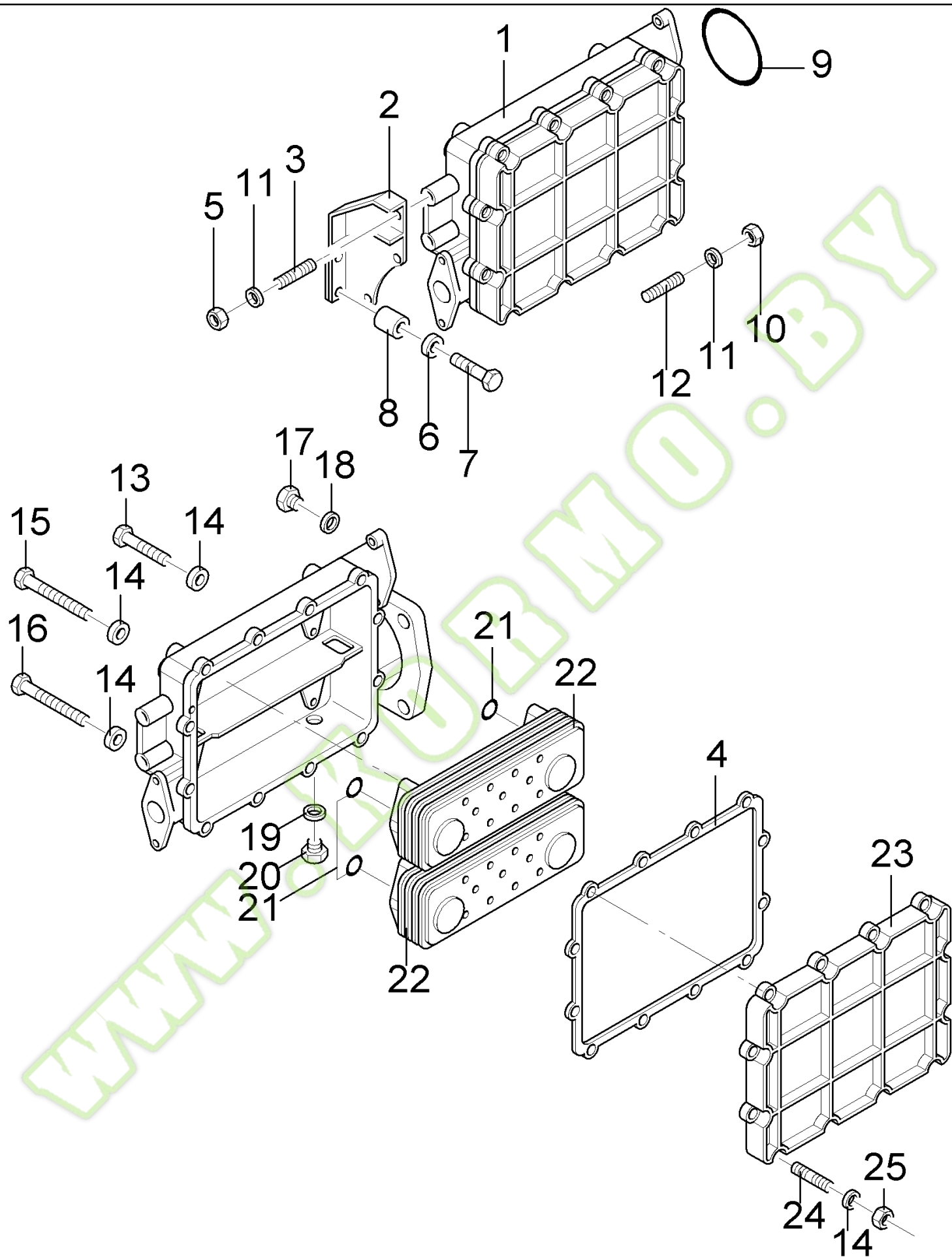
0.30.5(01) LINES AND OIL LEVEL INDICATOR



## FX375 NH SELF PROPELLED FORAGE HARVESTER - YELLOW VERSION

## 0.30.5(01) LINES AND OIL LEVEL INDICATOR

Ref	Part Number	Qty	Description
1	4864034	4	GASKET,
2	98427823	1	SCOOPS,
4	16043924	2	SCREW, Hex, M8 x 35, 8.8, Full Thd, M8X35
5	4643388	1	TUBE, RIGID,
6	4643729	1	GASKET,
7	11193874	14	WASHER, LOCK, Belleville, M8.4, 8MM
8	11343821	3	SCREW, Hex, M10 x 1.25 x 50, 8.8, M10X50
9	4674329	2	TUBE, RIGID,
10	14463281	4	GASKET, -214, CI 7, .984" ID x .139" Thk,
11	4680043	1	WASHER,
12	4680042	1	TUBE, RIGID,
13	16044031	4	SCREW, Hex, M8 x 40, 10.9, M8X40
15	11198471	5	WASHER, LOCK, Belleville, M10.5,
16	4643403	1	TUBE, RIGID,
17	13543521	3	STUD,
18	4864036	1	GASKET,
19	16100821	3	NUT, M8, CI 10, M8
14	15971624	2	SCREW, Hex, M10 x 1.25 x 90, 8.8, M10X90
3	16044524	2	SCREW, Hex, M8 x 65, 8.8, M8X65

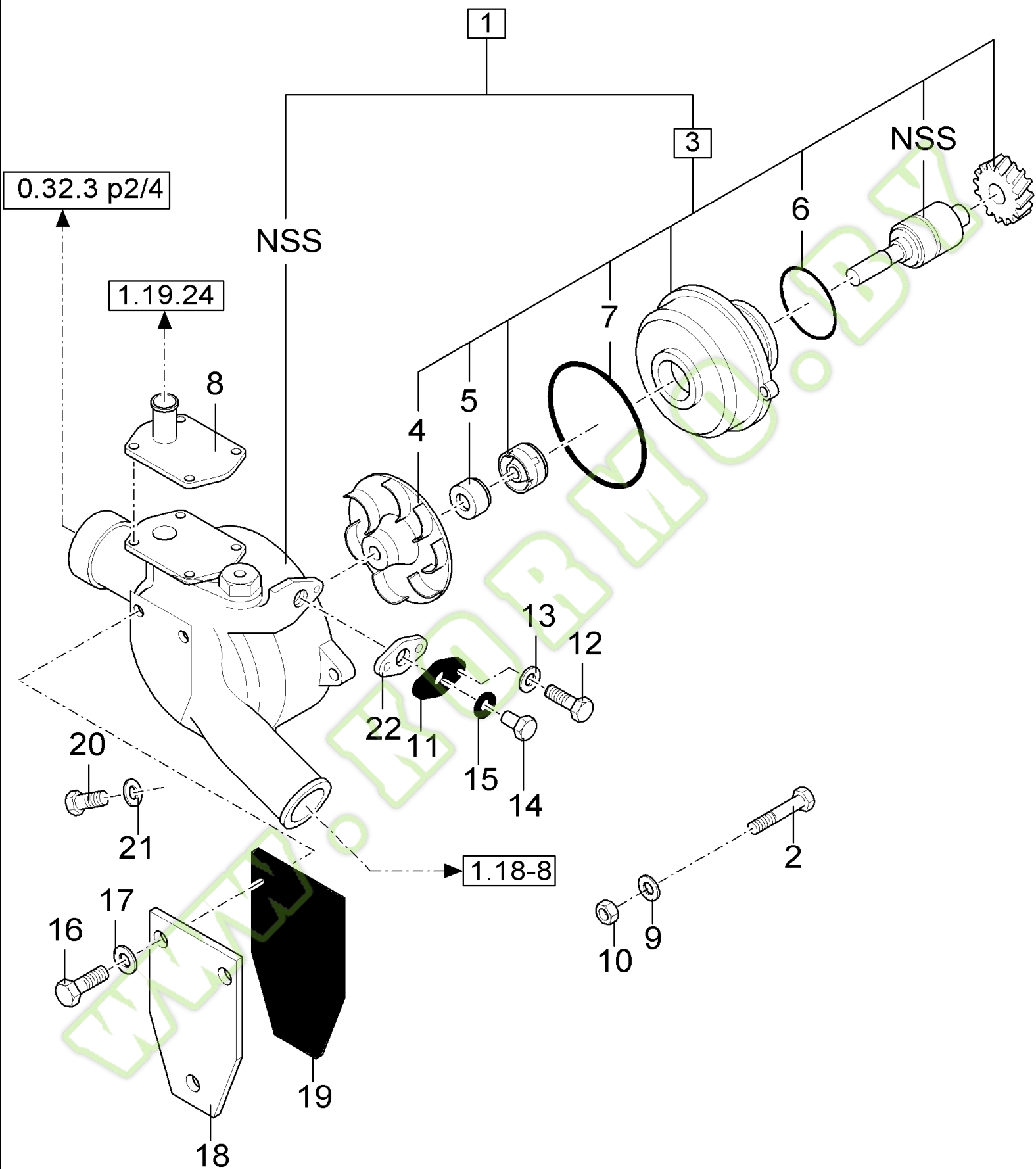




## FX375 NH SELF PROPELLED FORAGE HARVESTER - YELLOW VERSION

## 0.31.0(01) OIL-WATER HEAT EXCHANGER

Ref	Part Number	Qty	Description
1	98424387	1	HEAT EXCHANGER, (13TO25)
2	4755982	1	BRACKET,
3	13546521	2	STUD,
4	4863970	1	GASKET,
5	12164721	2	NUT, M10 x 1.25, CI 10,
6	11190574	2	WASHER, LOCK, Belleville, M10.5,
7	11307024	2	SCREW, Hex, M10 x 1.25 x 40, 8.8, Full Thd, M10X40
8	4802745	2	SPACER,
9	14466481	1	GASKET, -246, CI 7, 4.484" ID x .139" Thk,
11	14499021	5	WASHER,
12	13546624	4	STUD,
13	16043924	2	SCREW, Hex, M8 x 35, 8.8, Full Thd, M8X35
14	12646724	AR	WASHER, M8 x 20 x 2, 8MM
17	10276111	4	PLUG,
18	10265060	4	GASKET, M32.4 x 38 x 1.5, Copper,
19	10279560	1	GASKET, M22.3 x 28 x 1, Copper,
20	10305140	1	PLUG,
21	14459081	4	O-RING, -132, CI 7, 1.737" ID x .103" Thk,
22	98415301	2	INTERNAL EXCHANGER UNIT,
23	4757294	1	BOX,
24	13543321	9	STUD, M8X20
24	13543521	3	STUD, M8X25
25	16100811	AR	NUT, M8, CI 8, CL 5, M8 x 1.25
15	16044524	3	SCREW, Hex, M8 x 65, 8.8, M8X65
16	16044224	3	SCREW, Hex, M8 x 50, 8.8, M8X50
10	12164714	1	NUT, M10 x 1.25, CI 8,

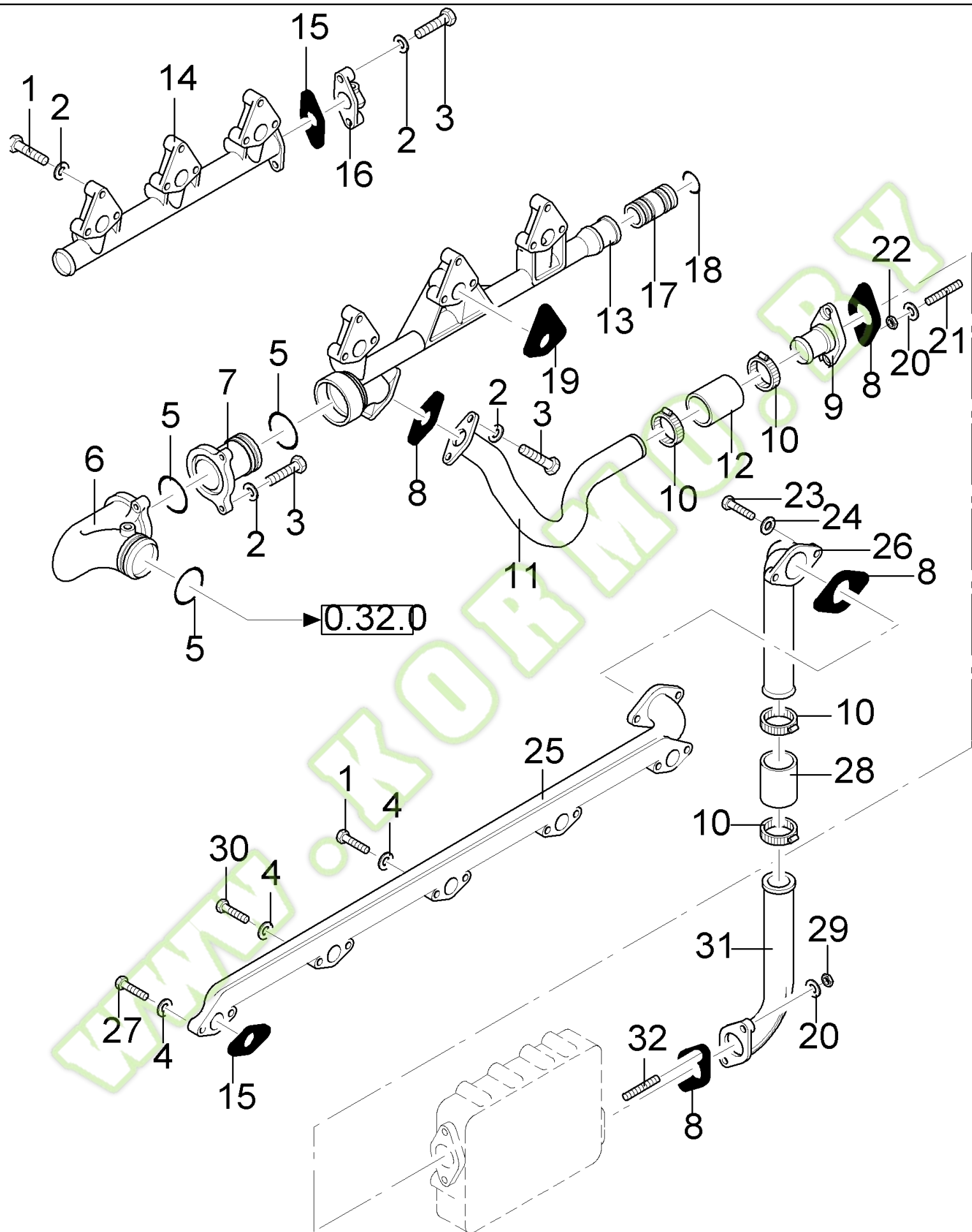


## FX375 NH SELF PROPELLED FORAGE HARVESTER - YELLOW VERSION

## 0.32.0(01) WATER PUMP

Ref	Part Number	Qty	Description
1	98447661	1	PUMP, WATER, (3)
2	15971424	AR	SCREW, Hex, M10 x 1.25 x 80, 8.8, M10X80
2	15972221	AR	SCREW, Hex, M10 x 1.25 x 120, 8.8, M10X120
2	16204524	AR	SCREW, Hex, M10 x 35, M10X35
3	99445447	1	KIT, (4 TO 7)
4	61319588	1	FAN,
5	98463962	1	GASKET,
6	14460781	1	GASKET, -149, CI 7, 2.8" ID x .103" Thk,
7	14461680	1	O-RING, -158, 70 Duro, 4.737" ID x .103" Thk,
8	99462935	1	COVER,
9	11190574	AR	WASHER, LOCK, Belleville, M10.5, 10MM
10	12164721	AR	NUT, M10 x 1.25, CI 10, M10
11	61318823	1	GASKET,
12	14306321	2	SCREW, Hex Soc Hd, M8 x 20, 8.8,
13	11198374	2	WASHER, LOCK, Belleville, M10.5,
14	10300714	1	PLUG,
15	4858609	1	GASKET,
16	16043424	3	SCREW, Hex, M8 x 20, 8.8, Full Thd, M8X20
17	11193874	3	WASHER, LOCK, Belleville, M8.4, 8MM
18	99462934	1	COVER,
19	61318850	1	GASKET,
20	11903111	1	PLUG,
21	4858606	1	GASKET,
22	98495062	1	PLATE, COVER,

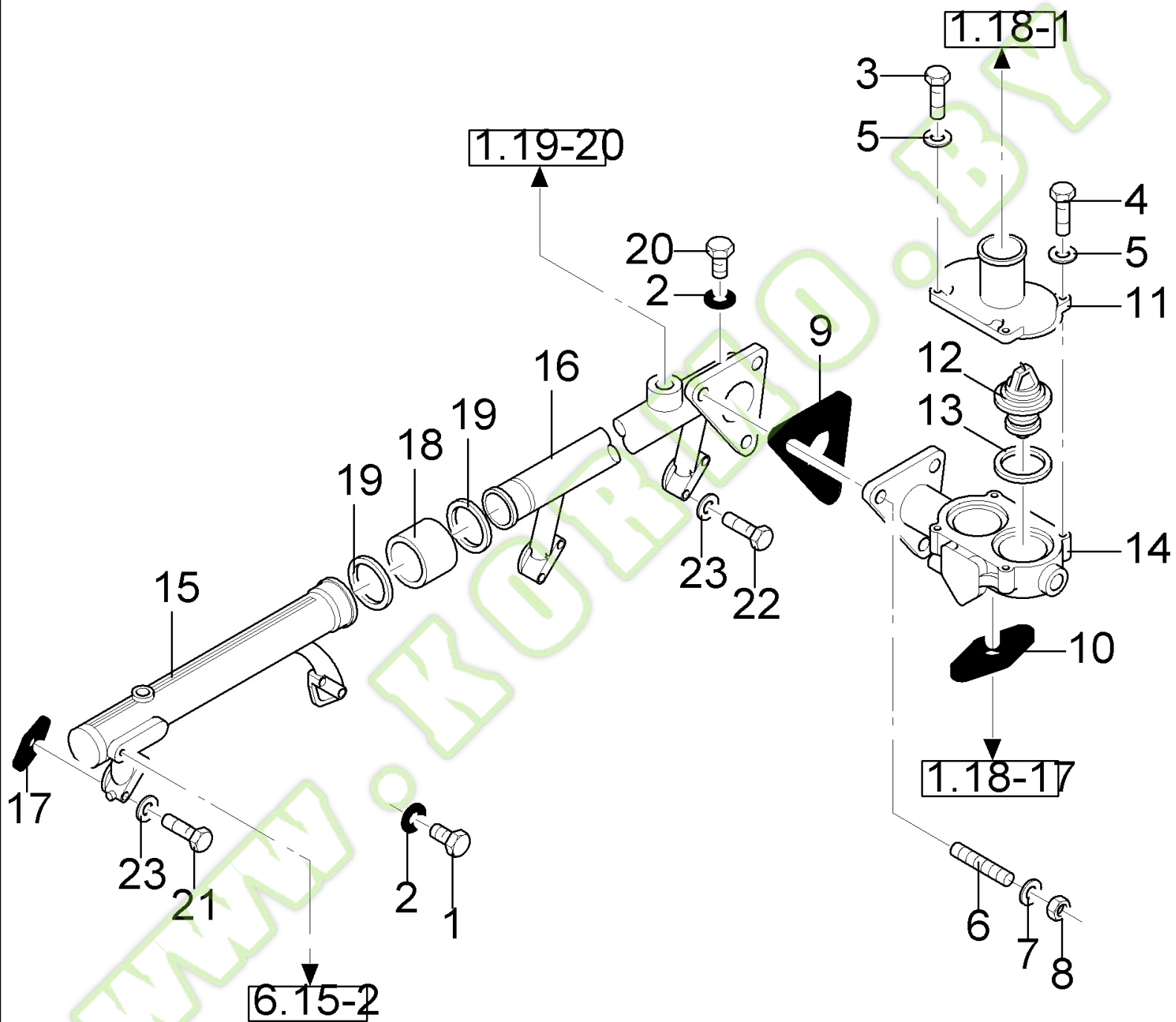
0.32.3(01) ENGINE COOLING LINES



## FX375 NH SELF PROPELLED FORAGE HARVESTER - YELLOW VERSION

## 0.32.3(01) ENGINE COOLING LINES

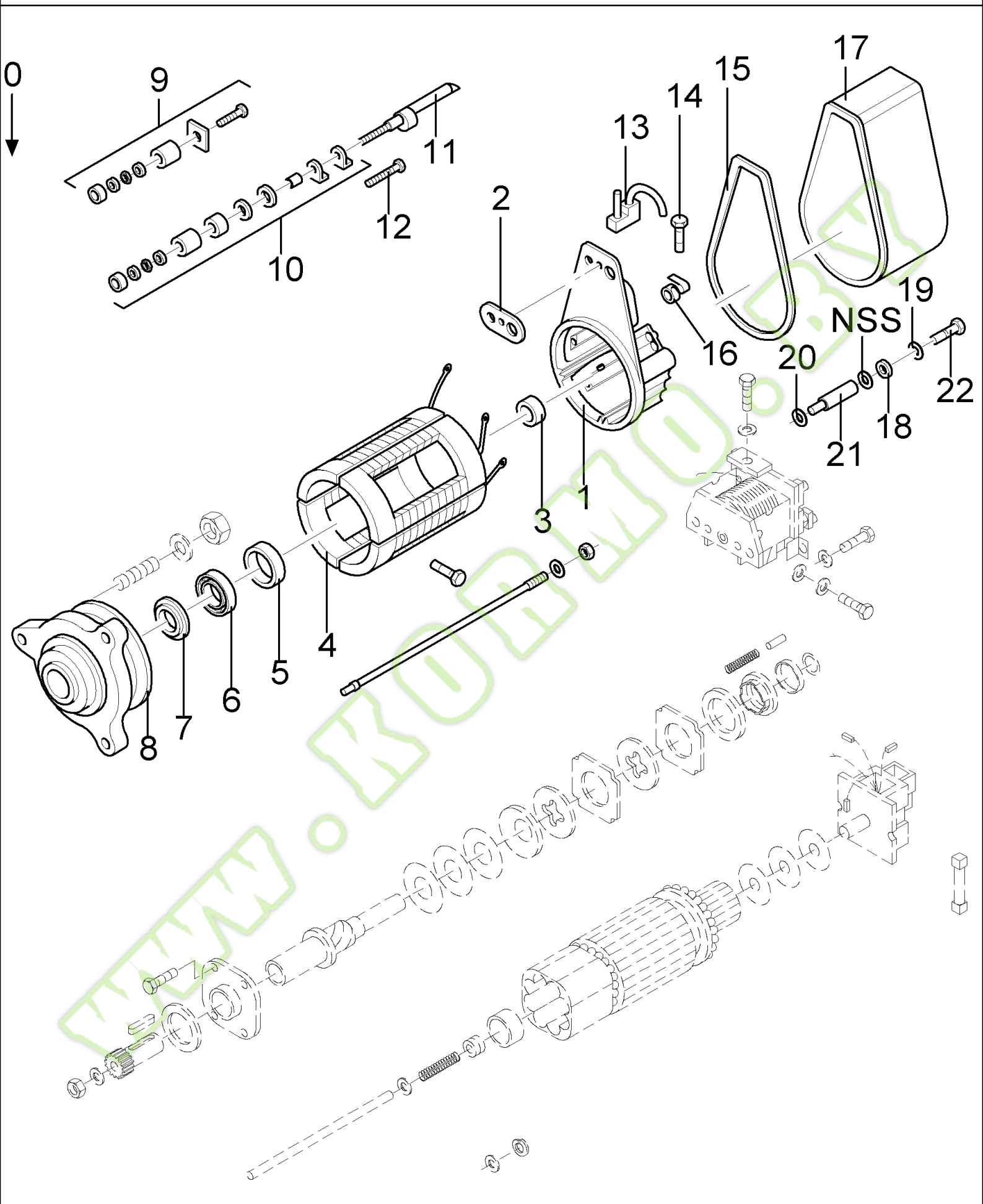
Ref	Part Number	Qty	Description
1	16044031	12	SCREW, Hex, M8 x 40, 10.9, M8X40
2	10519624	15	WASHER, M8 x 17 x 2, 8MM
3	13543321	3	STUD, M8X30
4	4852211	20	WASHER,
5	14471481	3	GASKET, -331, CI 7, 2.225" ID x .210" Thk,
6	98478087	1	TUBE, RIGID,
7	4859434	1	TUBE, RIGID,
8	4863951	4	GASKET,
9	4756798	1	TUBE, RIGID,
10	13000890	4	CLAMP, HOSE, D=50-70
11	98485417	1	TUBE, RIGID,
12	4863960	1	HOSE,
13	4813618	1	DUCT,
14	4813620	1	DUCT,
15	500308780	6	GASKET,
16	4641233	1	FLANGE,
17	4762647	1	SLEEVE,
18	14463281	4	GASKET, -214, CI 7, .984" ID x .139" Thk,
19	4852099	6	GASKET,
20	17793814	4	WASHER,
21	13543521	2	STUD, M8X25
22	16100821	4	NUT, M8, CI 10,
23	16043824	1	SCREW, Hex, M8 x 30, 5.8, Full Thd, M8X20
24	11193874	12	WASHER, LOCK, Belleville, M8.4,
25	98471454	1	TUBE, RIGID,
26	4670077	1	TUBE, RIGID,
27	16043924	4	SCREW, Hex, M8 x 35, 8.8, Full Thd, M8X35
28	4863962	1	HOSE,
29	16100811	2	NUT, M8, CI 8, CL 5, M8 x 1.25
30	16044124	6	SCREW, Hex, M8 x 45, 8.8, M8X45
31	4756199	1	TUBE, RIGID,
32	13516821	2	STUD, M8X20



## FX375 NH SELF PROPELLED FORAGE HARVESTER - YELLOW VERSION

## 0.32.3(03) ENGINE COOLING PIPING

Ref	Part Number	Qty	Description
1	10300611	3	PLUG, M14
1	10300714	1	PLUG, M16
1	10305171	1	PLUG, M22
1	16992211	1	PLUG, M12
2	10263460	1	GASKET, M22.3 x 28 x 1.5, Copper, 22MM
2	4858607	2	GASKET, 12MM
2	4858608	3	GASKET, 14MM
2	4858609	1	GASKET, 16MM
3	11343821	2	SCREW, Hex, M10 x 1.25 x 50, 8.8, , D0900-
3	15888724	2	SCREW, Hex, M10 x 1.25 x 55, 8.8, , -C0408
4	11343821	2	SCREW, Hex, M10 x 1.25 x 50, 8.8, , D0900-
4	15971424	2	SCREW, Hex, M10 x 1.25 x 80, 8.8, , -C0408
5	11190574	4	WASHER, LOCK, Belleville, M10.5, , -C0408
5	14496604	4	WASHER, M10 x 21 x 2, , D0900-
6	13543521	3	STUD,
7	11193874	3	WASHER, LOCK, Belleville, M8.4,
8	16100821	3	NUT, M8, CI 10,
9	4862977	1	GASKET,
10	98438824	1	GASKET, , -C0408
11	98418513	1	FLANGE,
12	98424854	2	THERMOSTAT,
13	4863955	2	GASKET,
14	61319248	1	BODY,
15	99462932	1	DUCT,
16	99462933	1	DUCT,
17	4852097	4	GASKET,
18	4859434	1	TUBE, RIGID,
19	14471481	2	GASKET, -331, CI 7, 2.225" ID x .210" Thk,
20	4749335	1	CONNECTOR, HYD.,
21	15888724	6	SCREW, Hex, M10 x 1.25 x 55, 8.8, M10X55
22	11343821	2	SCREW, Hex, M10 x 1.25 x 50, 8.8, M10X50
23	14496604	8	WASHER, M10 x 21 x 2,

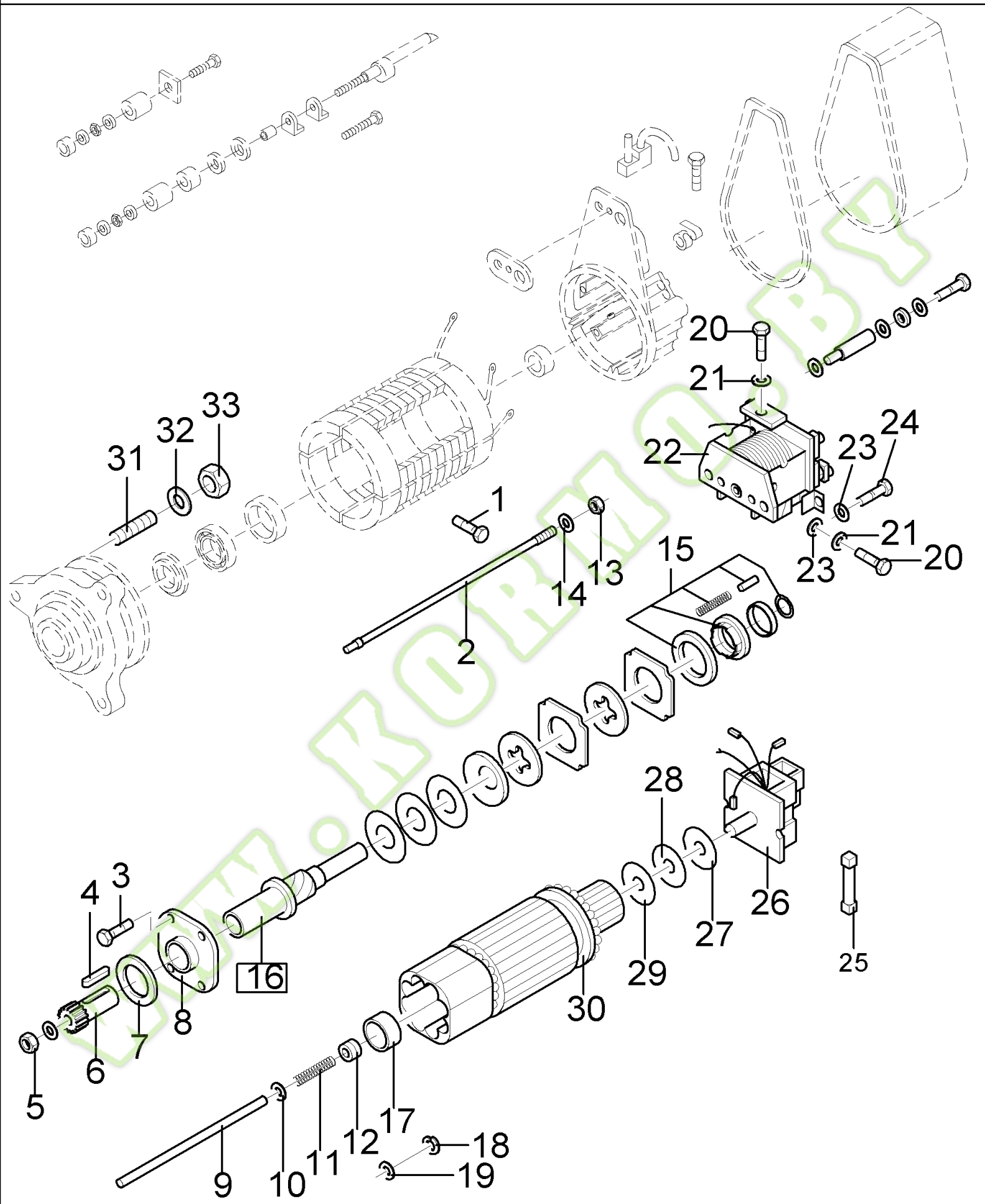




## FX375 NH SELF PROPELLED FORAGE HARVESTER - YELLOW VERSION

## 0.36.0(01) STARTER MOTOR

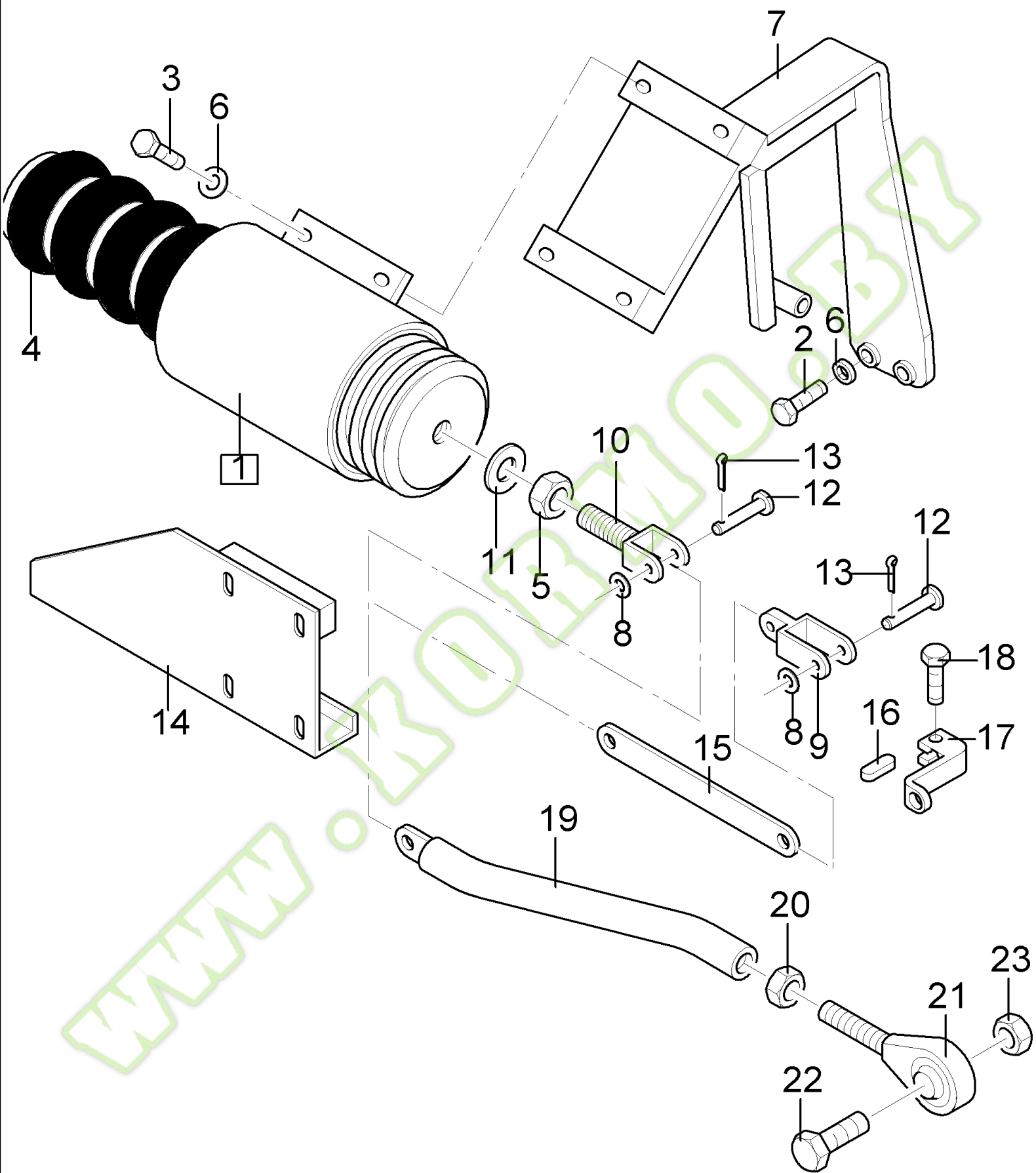
Ref	Part Number	Qty	Description
0	4782803	1	MOTOR, STARTER, (1 TO 22)
1	9962612	1	SUPPORT,
2	9984888	1	PLATE, COVER,
3	79052278	1	BUSHING,
4	8121266	1	WINDING, ELECTRICAL,
5	9920337	1	RING,
6	9920664	1	BEARING ASSY,
7	79052272	1	GASKET,
8	9984890	1	SUPPORT,
9	1306445	AR	KIT,
10	9984894	AR	KIT,
11	9984889	1	CONNECTOR, WIRE,
12	9928976	1	SCREW,
13	79052257	1	BRUSH,
14	79052258	1	SCREW,
15	9920382	1	RING, RUBBER,
16	1290139	4	SPRING,
17	9928974	1	COVER,
18	79052265	2	CUP,
19	10516474	2	WASHER, LOCK,
20	8121272	1	WASHER,
21	15896221	2	NUT, M6, CI 10,
22	9923751	2	SCREW,



## FX375 NH SELF PROPELLED FORAGE HARVESTER - YELLOW VERSION

## 0.36.0(03) STARTER MOTOR

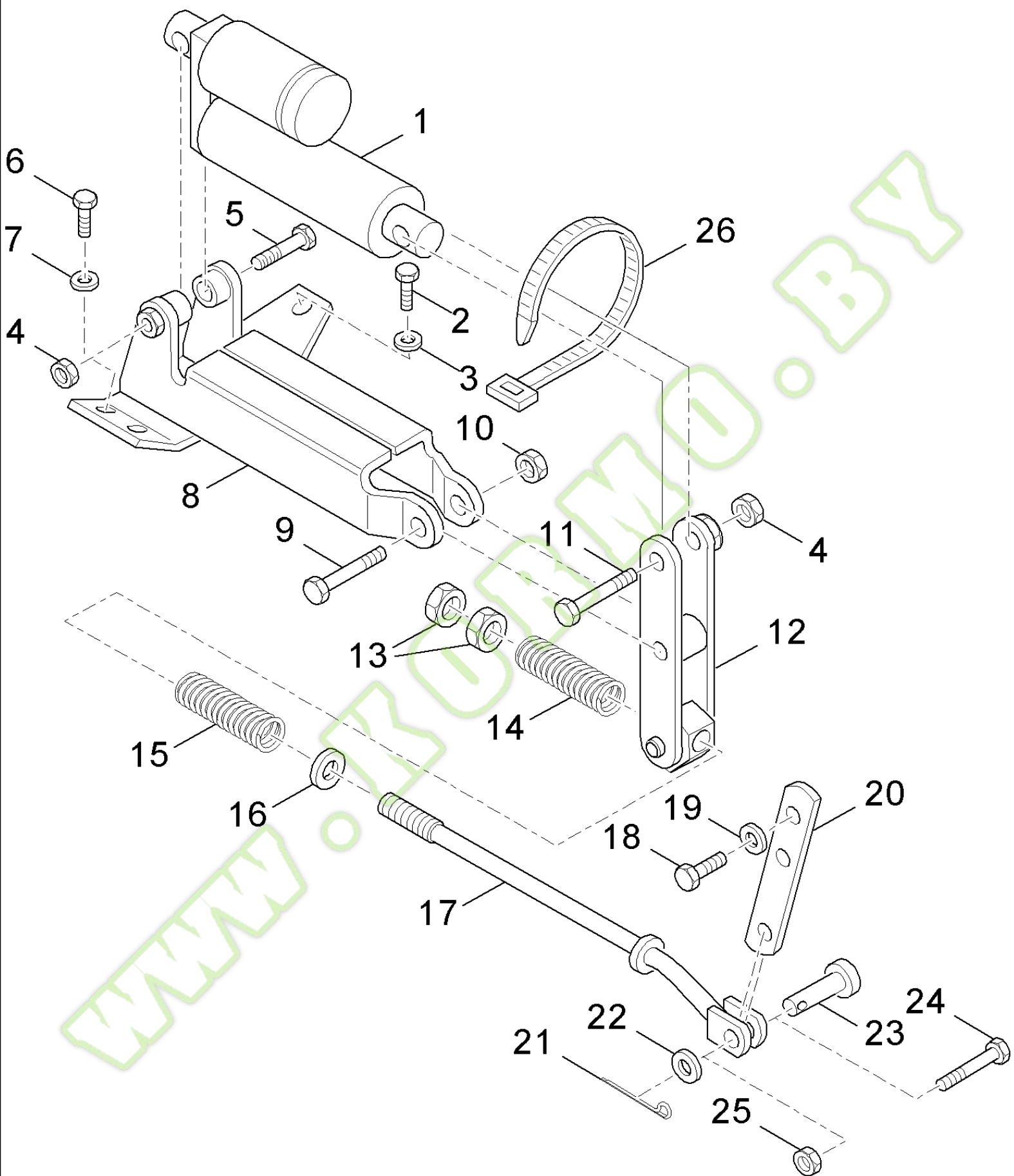
Ref	Part Number	Qty	Description
1	9962884	1	SCREW,
2	1290071	1	SCREW,
2	1298802	3	TIE-ROD,
3	79052237	4	SCREW,
4	79052235	1	KEY,
5	79052233	1	NUT,
6	9920672	1	SPROCKET, DRIVEN,
7	79052239	1	RING,
8	9920338	1	FLANGE,
9	8121268	1	SHAFT,
10	79052244	1	RING,
11	79052245	1	SPRING,
12	79052246	1	RING,
13	15896221	4	NUT, M6, CI 10,
14	9009583	4	WASHER,
15	79052270	1	KIT,
16	79052241	1	SPINDLE, (15)
17	9920351	1	BUSHING,
18	79052248	1	RING, LOCKING,
19	79052247	11	BALL,
20	79028449	6	SCREW,
21	10571474	8	WASHER, LOCK,
22	79052269	1	SWITCH, REMOTE CONTROL,
23	9961722	2	WASHER, LOCK,
24	79106737	2	SCREW,
25	9927611	1	CABLE, ELECTRIC,
26	79052266	1	ELECTROMAGNET,
27	9920374	AR	PLATE, ADJUSTING, THK.:0.20MM
28	79052250	AR	PLATE, ADJUSTING, THK.:0.30MM
29	79052251	AR	PLATE, ADJUSTING, THK.:0.50MM
30	8121267	1	ARMATURE,
31	11797421	3	STUD, M14X20X35
32	11200174	3	WASHER, LOCK, 14MM
33	12164021	3	NUT, M14 x 1.5, CI 10, M14 x 1.5



## FX375 NH SELF PROPELLED FORAGE HARVESTER - YELLOW VERSION

## 0.56.5(01) ELECTRIC STOP ENGINE

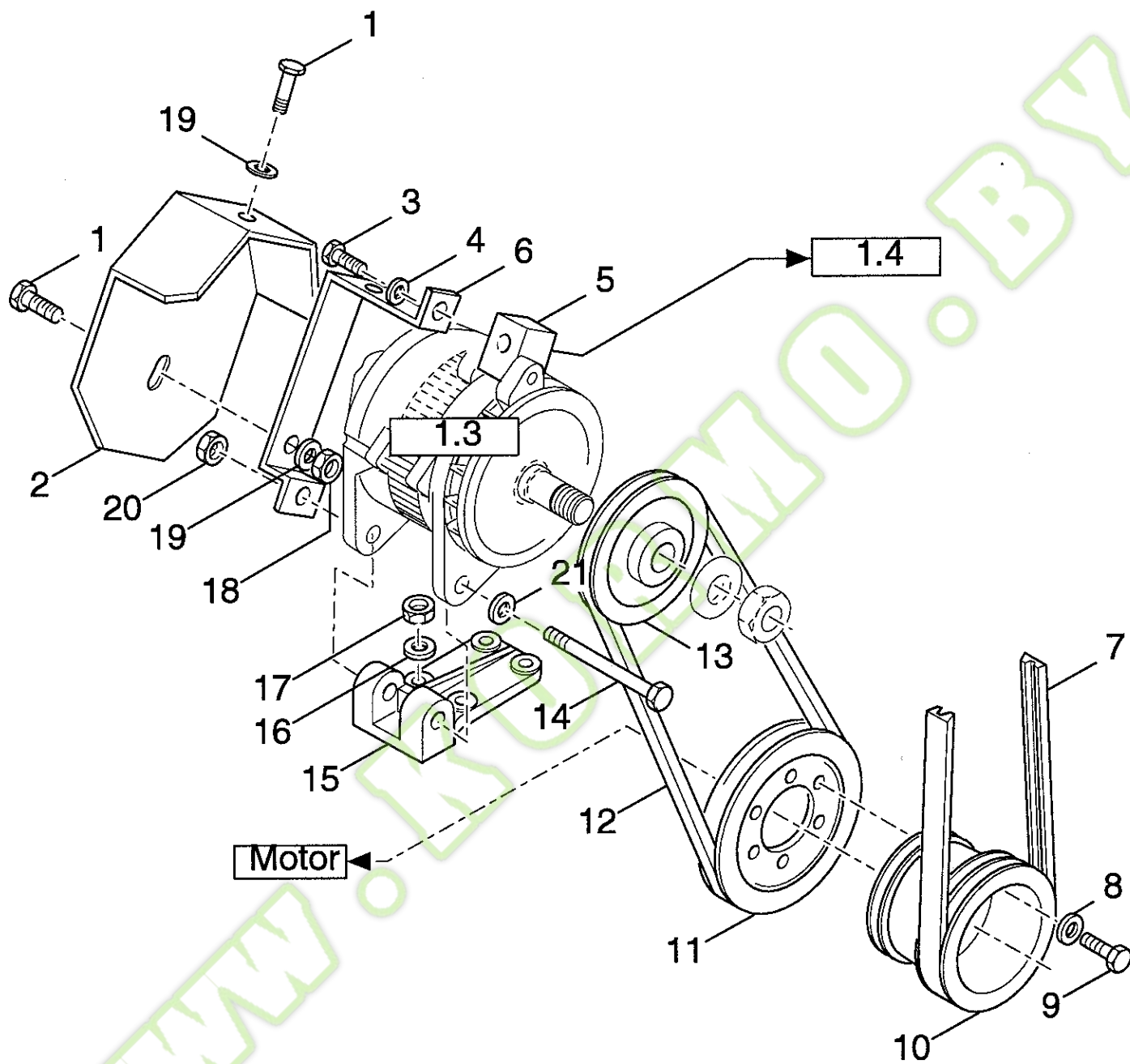
Ref	Part Number	Qty	Description
1	8017114	1	ELECTROMAGNET, (4,10,11)
2	16689624	1	SCREW,
3	10902224	4	SCREW, Hex, M6 x 16, 8.8, Full Thd, M6X40
4	98417461	1	BOOT,
5	16100821	1	NUT, M8, CI 10,
6	11197774	7	WASHER, LOCK, Belleville, M6.4,
7	8006296	1	SUPPORT, , FOR ENGINE TYPE 8210SRI 21A 001 ONLY
8	14496301	2	WASHER,
9	98417468	1	CLEVIS,
10	8110822	1	YOKE,
11	11193874	1	WASHER, LOCK, Belleville, M8.4,
12	10033211	2	PIN,
13	10734101	2	PIN, SPLIT (COTTER), M1.6 x 12,
14	8018927	1	SUPPORT, , FOR ENGINE TYPE 8210SRI 21A 005 ONLY
15	8018926	1	SUPPORT, , FOR ENGINE TYPE 8210SRI 21A 005 ONLY
16	98417458	1	KEY,
17	98417455	1	LEVER,
18	16602124	1	SCREW,
19	8021867	1	TIE-ROD, (21)
20	15896240	4	NUT, M6, Brass, M6
21	8016587	1	ARTICULATION,
22	8016470	1	SCREW,
23	17152621	1	NUT, M5
2	10979424	1	SCREW, Hex, M6 x 10, 8.8, Full Thd, M6X16
3	10979424	2	SCREW, Hex, M6 x 10, 8.8, Full Thd, M6X16



## FX375 NH SELF PROPELLED FORAGE HARVESTER - YELLOW VERSION

## 01.01(01) THROTTLE CONTROL

Ref	Part Number	Qty	Description
1	84036177	1	ACTUATOR,
2	43127	1	BOLT, {PP:80043127} Hex, M8 x 25, 8.8, M8X25
3	322358	1	WASHER, LOCK, {PP:80322358} Belleville, M8, 8MM
4	9706755	1	NUT, {PP:89706755} M6, CI 8, M6
5	338413	1	SCREW, {PP:80338413} Hex, M6 x 60, 8.8, M6X60
6	80412160	2	BOLT, M10X1,25X30
7	140045	2	WASHER, LOCK, {PP:80140045} Belleville, M10, 10MM
8	84019792	1	SUPPORT,
9	80120061	1	SCREW, M8X60
10	100015	1	NUT, {PP:80100015} M8, CI 8, M8
11	80120102	1	SCREW, M6X40
12	84019830	1	LEVER,
13	100016	2	NUT, {PP:80100016} M10, CI 8, M10
14	355988	1	SPRING, {PP:80355988}
15	80918027	1	SPRING,
16	378244	AR	WASHER, LOCK, {PP:80378244} 10MM
17	84026232	1	TIE-ROD, THREADED,
18	80120099	1	SCREW, Hex, M6 x 16, 8.8, M6X15
19	322357	1	WASHER, LOCK, {PP:80322357} Belleville, M6, Belleville, M6
20	84026823	1	PLATE, COVER, , FOR FX300-450/9630-9645 ONLY
20	84026824	1	PLATE, COVER, , FOR FX375/9640 ONLY
21	300399	1	PIN, SPLIT (COTTER), {PP:80300399} , -C0405
22	140015	1	WASHER, {PP:80140015} 6MM, -C0405
23	84019930	1	PIN, CLEVIS, , -C0405
24	120101	1	SCREW, {PP:80120101} Hex, M6 x 30, 8.8, Full Thd, M6X30, D0600-
25	9706755	1	NUT, {PP:89706755} M6, CI 8, M6, D0600-
26	396718	1	STRAP, {PP:80396718}





## FX375 NH SELF PROPELLED FORAGE HARVESTER - YELLOW VERSION

## 01.02(01) ALTERNATOR

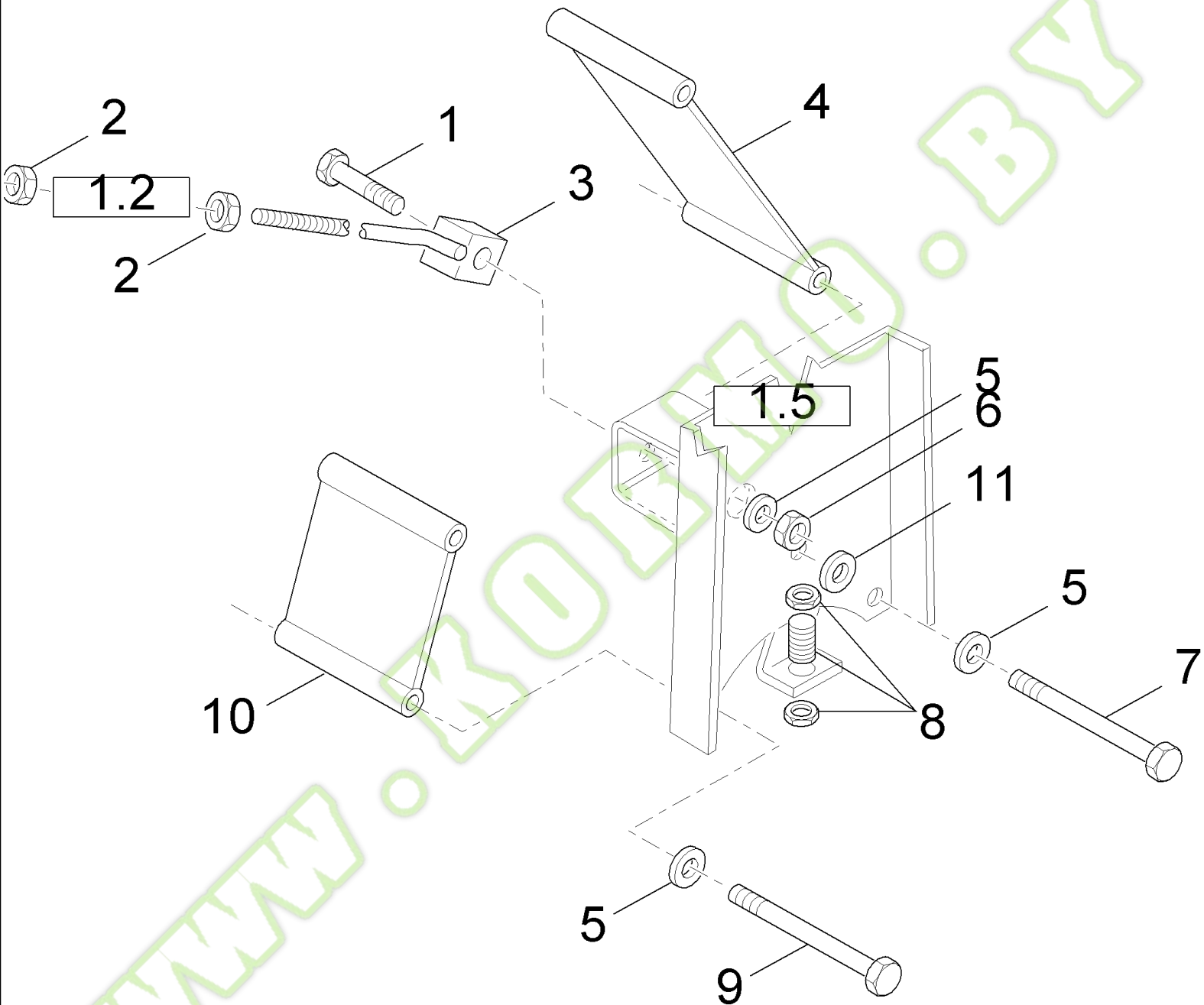
Ref	Part Number	Qty	Description
1	80120099	21	SCREW, Hex, M6 x 16, 8.8, M6X15
2	84014742	1	BRACKET, , -C0447
3	9707516	1	SCREW, {PP:89707516} Hex, 1/2"-13 x 1 3/4", G5,
4	140047	1	WASHER, LOCK, {PP:80140047}
5	84005658	1	BLOCK,
6	84014839	1	COVER, , -C0447
7	84012975	1	SET OF BELTS, , -C0412
7	84043106	1	BELTS, SET OF 2, , D1300-
8	140046	6	WASHER, LOCK, {PP:80140046} Belleville, M12, 12MM
9	84011757	6	SCREW, Hex, M12 x 1.25 x 60, 8.8, M12X1.25X60
10	84038233	1	PULLEY, , -C0413
10	84045159	1	PULLEY, , D1400-
11	84022808	1	PULLEY,
12	84022807	1	BELT, TRANSMISSION,
13	84005585	1	PULLEY,
14	86000020	1	BOLT, Hex, 1/2"-13 x 6", G5, .50"X6.0"
15	89833678	1	SUPPORT,
16	140045	4	WASHER, LOCK, {PP:80140045} Belleville, M10,
17	89837227	4	NUT, M10X1.25
18	9706755	2	NUT, {PP:89706755} M6, CI 8, M6
19	322357	2	WASHER, LOCK, {PP:80322357} Belleville, M6, Belleville, M6
20	88871	1	NUT, LOCK, {PP:80088871} 1/2"-13, GC, GC, 1/2"-13
21	394630	1	WASHER, {PP:80394630}



## 01.03(01) ALTERNATOR

Ref	Part Number	Qty	Description
0	9824834	1	ALTERNATOR, {PP:89824834} (1TO10), -C0447
0	9705428	1	ALTERNATOR, {PP:89705428} , DUST FREE ALTERNATOR, D4800-
1	86507634	1	BLOWER,
2	86507626	1	BEARING, BALL,
3	86507633	1	FLANGE,
4	86507628	1	DIODE,
5	86507632	1	BRUSH,
6	86507631	1	HOLDER,
7	86507630	1	BRUSH,
8	86507629	1	REGULATOR, VOLTAGE,
9	86507627	1	RECTIFIER,
10	86507625	1	BUSHING,

WWW.KORMO.BY

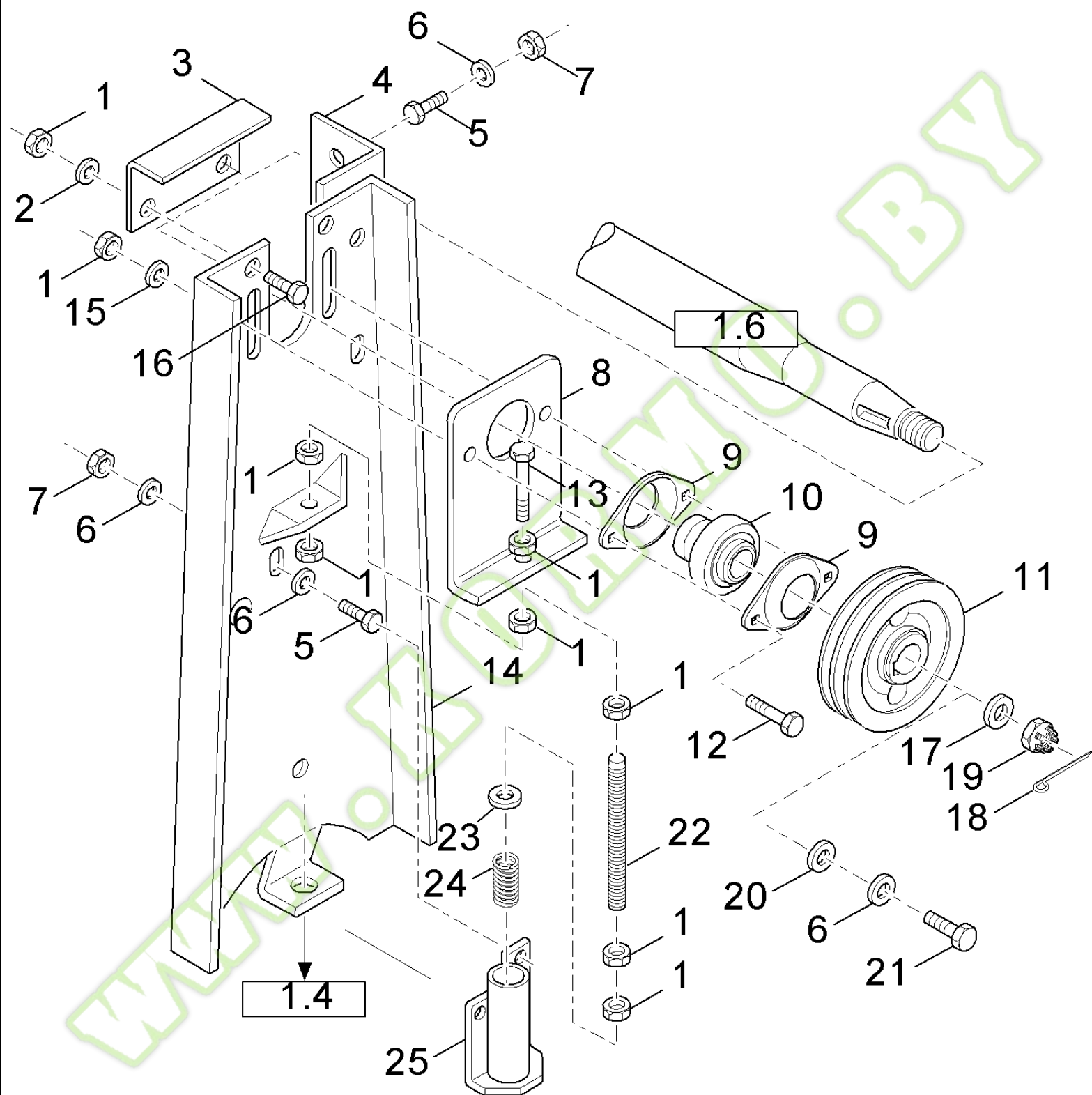


## FX375 NH SELF PROPELLED FORAGE HARVESTER - YELLOW VERSION

## 01.04(01) ENGINE ACCESSORIES

Ref	Part Number	Qty	Description
1	120112	1	SCREW, {PP:80120112} Hex, M10 x 40, 8.8, Full Thd, M10X40
2	337475	2	NUT, {PP:80337475} M12, CI 10, M12
3	89835490	1	ROD,
4	84014538	1	BRACKET,
5	140045	3	WASHER, LOCK, {PP:80140045} Belleville, M10,
6	100016	1	NUT, {PP:80100016} M10, CI 8, M10
7	89837212	1	SCREW, M10X1.25X230
8	84036826	1	SENSOR, SPEED, SENSOR MOUNTED ON PLATE
8	84038795	1	SENSOR, , SENSOR MOUNTED ON SMALL SUPPORT
9	89837214	1	SCREW,
10	84014540	1	BRACKET,
11	190067	1	BUSHING, RUBBER, {PP:80190067}

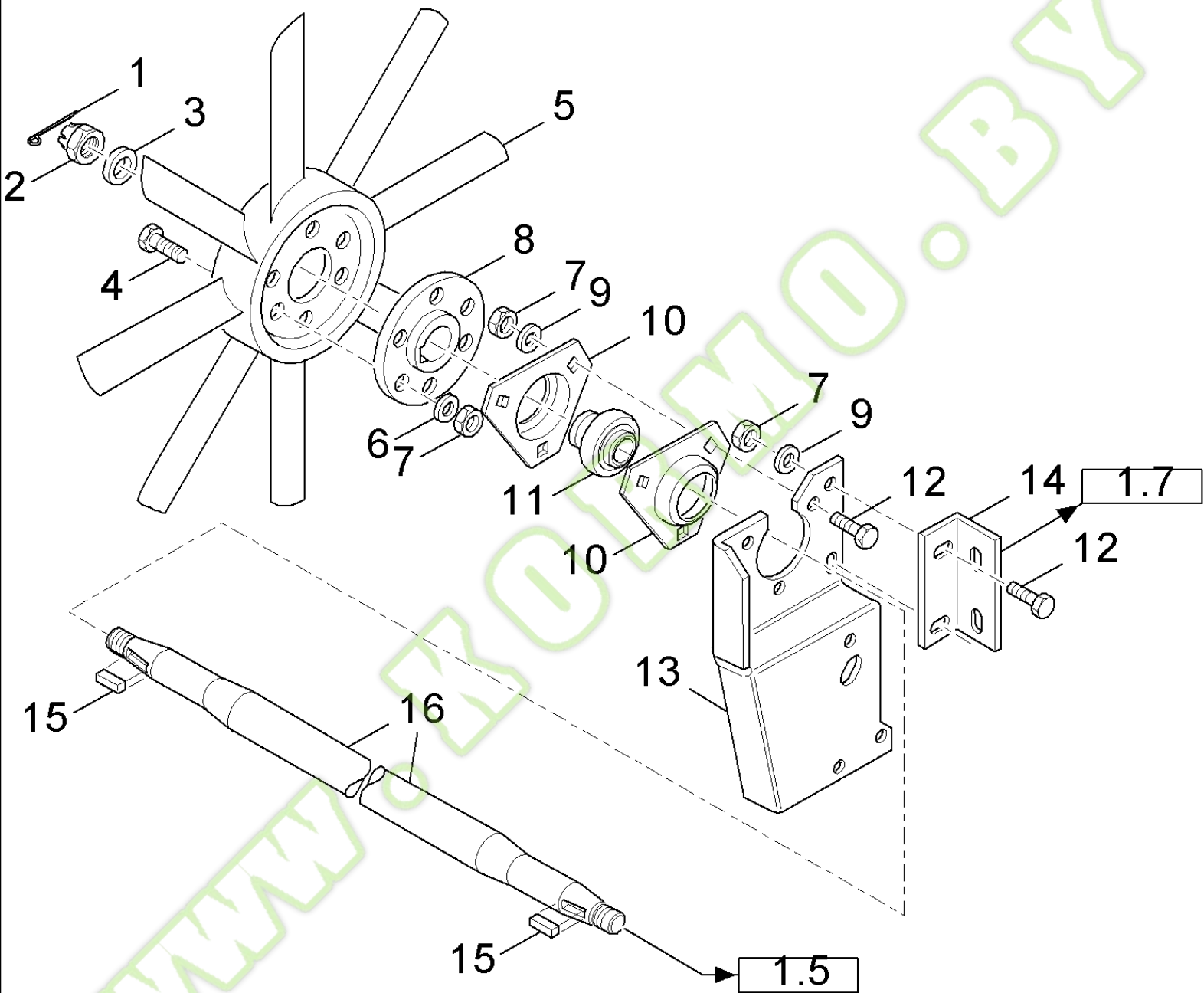
WWW.KORMO.BY



## FX375 NH SELF PROPELLED FORAGE HARVESTER - YELLOW VERSION

## 01.05(01) FAN DRIVE

Ref	Part Number	Qty	Description
1	100016	AR	NUT, {PP:80100016} M10, CI 8, M10
2	140045	2	WASHER, LOCK, {PP:80140045} Belleville, M10, 10MM
3	84021008	1	BRACKET,
4	84021007	1	BRACKET,
5	9706687	10	SCREW, {PP:89706687} Hex, M12 x 30, 8.8, M12X30
6	140046	21	WASHER, LOCK, {PP:80140046} Belleville, M12, 12MM
7	337475	10	NUT, {PP:80337475} M12, CI 10, M12
8	84015747	1	PLATE, COVER,
9	165385	2	FLANGE, {PP:80165385}
10	325110	1	BEARING ASSY, {PP:80325110}
11	84017245	1	PULLEY, , -C0413
11	84045158	1	PULLEY, , D1400-
12	43140	2	BOLT, {PP:80043140} Hex, M10 x 30, 8.8, M10X30
13	360296	1	SCREW, {PP:80360296} Hex, M10 x 100, 8.8, Full Thd, M10X100, -C0408
14	84014104	1	PLATE, , -C0408
14	84038409	1	PLATE, , -C0913
14	84045170	1	PLATE, , D1400-
15	394629	2	WASHER, LOCK, {PP:80394629} 10MM
16	120109	2	SCREW, {PP:80120109} Hex, M10 x 20, 8.8, Full Thd, M10X20
17	9506874	1	WASHER, {PP:89506874} , -C0404
18	300595	1	PIN, SPLIT (COTTER), {PP:80300595} M4 x 40, , -C0404
19	412144	1	SLOTTED NUT, {PP:80412144} M20 x 1.5, CI 8, M20X1.5, -C0404
20	140085	1	WASHER, {PP:80140085}
21	300389	1	SCREW, {PP:80300389} Hex, M12 x 35, 8.8, Full Thd, M12X35
22	84037052	1	STUD, , D0900-
23	84037092	1	RING, , -C0913
23	84053045	1	RING, , D1400-
24	445013	1	SPRING, {PP:80445013} , D1400-
24	920397	1	SPRING, {PP:80920397} , -C0913
25	84043096	1	SUPPORT, , -C0913
25	84053047	1	SUPPORT, , D1400-

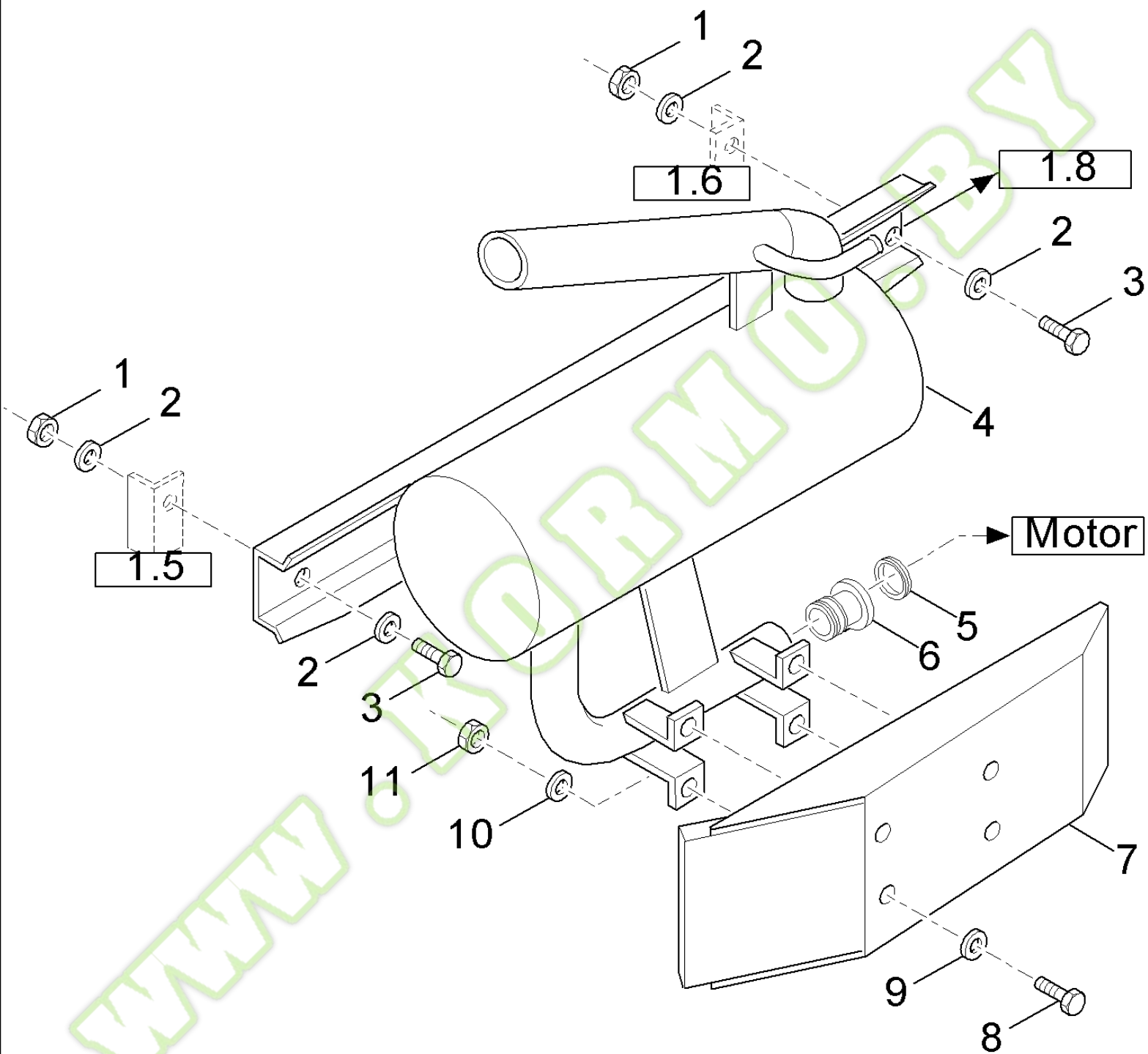




## FX375 NH SELF PROPELLED FORAGE HARVESTER - YELLOW VERSION

## 01.06(01) BLOWERS

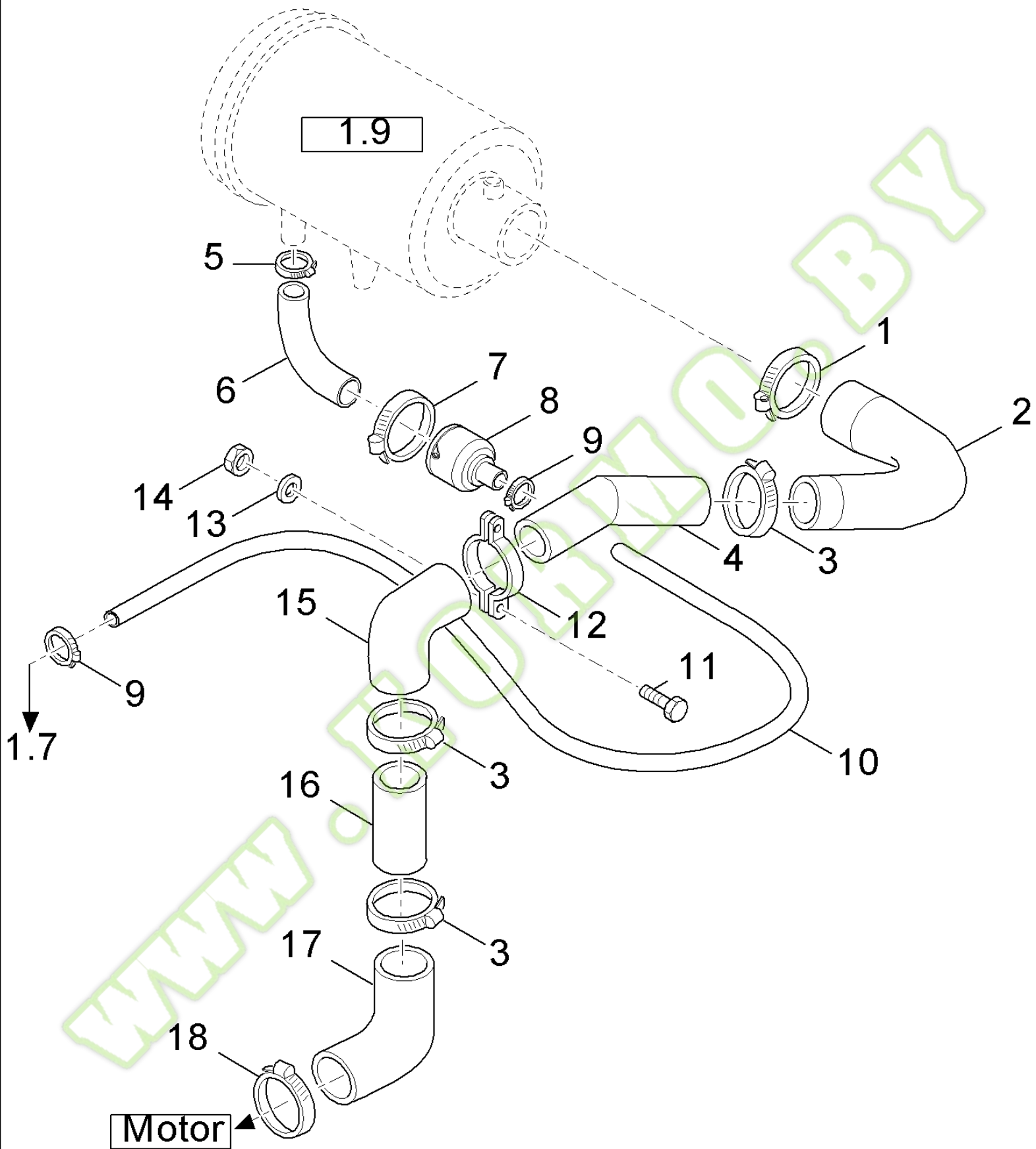
Ref	Part Number	Qty	Description
1	300595	1	PIN, SPLIT (COTTER), {PP:80300595} M4 x 40,
2	412144	1	SLOTTED NUT, {PP:80412144} M20 x 1.5, CI 8, M20X1.5
3	9506874	1	WASHER, {PP:89506874}
4	120112	6	SCREW, {PP:80120112} Hex, M10 x 40, 8.8, Full Thd, M10X40
5	84032594	1	FAN, , FOR FX300-375/9630-9640 ONLY
5	84012323	1	FAN, , FOR FX450/9645 ONLY
6	140045	6	WASHER, LOCK, {PP:80140045} Belleville, M10, 10MM
7	100016	9	NUT, {PP:80100016} M10, CI 8, M10
8	84017258	1	FLANGE,
9	394629	5	WASHER, LOCK, {PP:80394629} 10MM
10	86548970	2	FLANGE,
11	325110	1	BEARING ASSY, {PP:80325110}
12	43140	5	BOLT, {PP:80043140} Hex, M10 x 30, 8.8, M10X30
13	84014107	1	PLATE,
14	84021006	1	BRACKET,
15	170008	2	KEY, {PP:80170008}
16	84017266	1	SHAFT,



## FX375 NH SELF PROPELLED FORAGE HARVESTER - YELLOW VERSION

## 01.07(01) MUFFLER

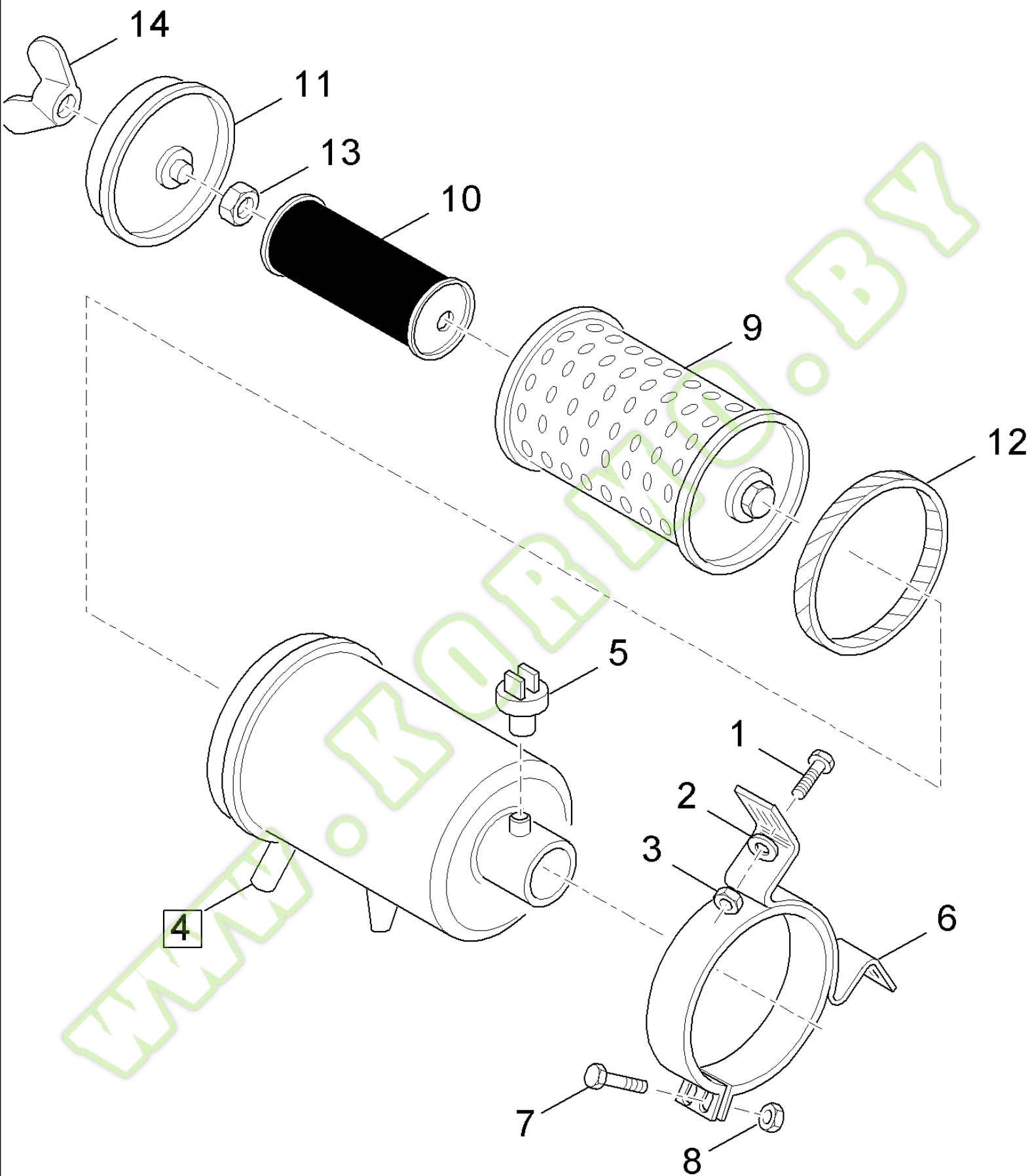
Ref	Part Number	Qty	Description
1	337475	2	NUT, {PP:80337475} M12, CI 10, M12
2	140046	4	WASHER, LOCK, {PP:80140046} Belleville, M12, 12MM
4	89594441	1	MUFFLER, , -C0412
4	84042048	1	MUFFLER, , FOR FX300/9630 ONLY, D1300-
4	84042049	1	MUFFLER, , FOR FX375/9640 ONLY, D1300-
4	84041224	1	MUFFLER, , FOR FX450/9645 ONLY, D1300-
5	84014931	2	SET OF RINGS,
6	84014924	1	FLANGE,
7	84018611	1	SHIELD,
8	43128	4	SCREW, {PP:80043128} Hex, M8 x 30, 8.8, Cap, HH, CL 8.8, M8 x 1.25 x 30
9	140041	4	WASHER, {PP:80140041} M8 x 28 x 3, 8MM
10	322358	4	WASHER, LOCK, {PP:80322358} Belleville, M8, 8MM
11	100015	4	NUT, {PP:80100015} M8, CI 8, M8
3	9706687	2	SCREW, {PP:89706687} Hex, M12 x 30, 8.8, M12X30



## FX375 NH SELF PROPELLED FORAGE HARVESTER - YELLOW VERSION

## 01.08(01) AIR-CLEANER

Ref	Part Number	Qty	Description
1	80449815	1	CLAMP,
2	84015435	1	ELBOW,
3	337049	4	CLAMP, {PP:80337049}
4	84015519	1	TUBE,
5	360747	1	CLAMP, {PP:80360747} , -C0412
5	381145	1	CLAMP, {PP:80381145} , D1300-
6	84041279	1	ELBOW, , D1300-
6	89833420	1	ELBOW, , -C0412
7	381144	1	CLAMP, {PP:80381144} , -C0412
7	381145	1	CLAMP, {PP:80381145} , D1300-
8	89833723	1	VALVE, HYDRAULIC, , -C0412
9	382528	2	CLAMP, {PP:80382528} , -C0412
10	84005496	1	HOSE, , -C0412
10	84041286	1	TUBE, RIGID, , D1300-
11	43128	2	SCREW, {PP:80043128} Hex, M8 x 30, 8.8, Cap, HH, CL 8.8, M8 x 1.25 x 30
12	84015574	2	CLAMP,
13	322358	2	WASHER, LOCK, {PP:80322358} Belleville, M8, 8MM
14	100015	2	NUT, {PP:80100015} M8, CI 8, M8
15	80452422	1	ELBOW,
16	84014016	1	TUBE,
17	84017189	1	ELBOW, , FOR FX300-375/9630-9640 ONLY
17	84012963	1	ELBOW, , FOR FX450/9645 ONLY
18	381144	1	CLAMP, {PP:80381144} , FOR FX300-375/9630-9640 ONLY
18	337049	1	CLAMP, {PP:80337049} , FOR FX450/9645 ONLY

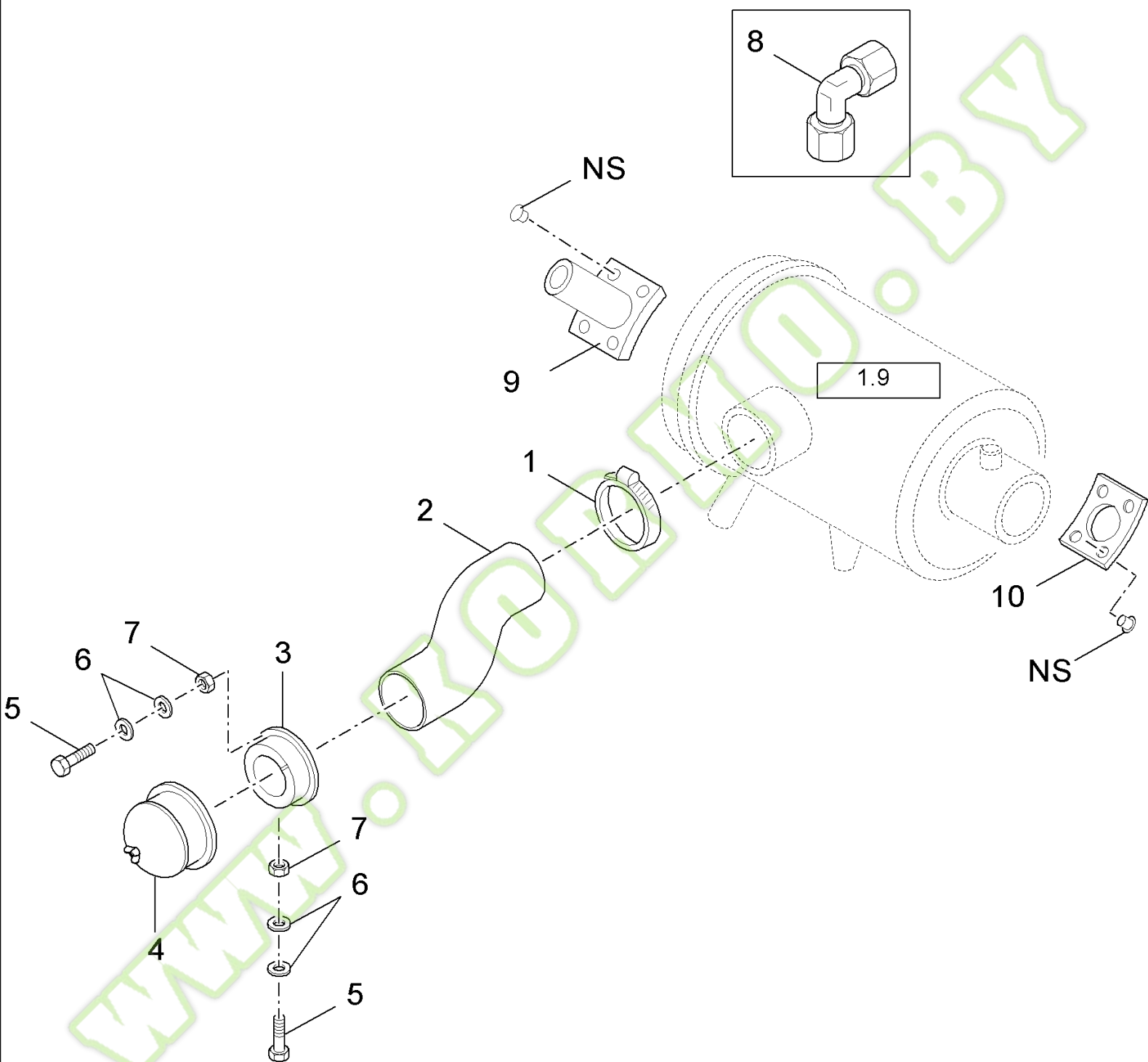


## FX375 NH SELF PROPELLED FORAGE HARVESTER - YELLOW VERSION

## 01.09(01) AIR-CLEANER

Ref	Part Number	Qty	Description
1	120041	8	BOLT, {PP:80120041} Short NK, M10 x 20, CI8.8, Full Thd, M10 X 40
2	140045	8	WASHER, LOCK, {PP:80140045} Belleville, M10, 10MM
3	100016	8	NUT, {PP:80100016} M10, CI 8, M10
4	84039510	1	FILTER, AIR, (9TO14), D1300-
4	89833422	1	AIR CLEANER, (9TO12), -C0412
5	84032969	1	SENDER UNIT,
6	89835514	2	SUPPORT,
7	300348	4	SCREW, {PP:80300348} Cross Pan Hd, M8 x 25, M8X 25
8	100067	4	NUT, {PP:80100067} M8 x 1.25", CI 8, M8
9	89835747	1	FILTER, ELEMENT,
10	89835746	1	FILTER, ELEMENT,
11	84042343	1	COVER, , D1300-
11	89850755	1	COVER, , -C0412
12	84032758	1	BUSHING, GUIDE,
13	364164	1	NUT, {PP:80364164} Thin, M16 x 1.5, CI 04, M16X1.5
14	9817591	1	NUT, {PP:89817591}

WWW.KORMO.BY





## FX375 NH SELF PROPELLED FORAGE HARVESTER - YELLOW VERSION

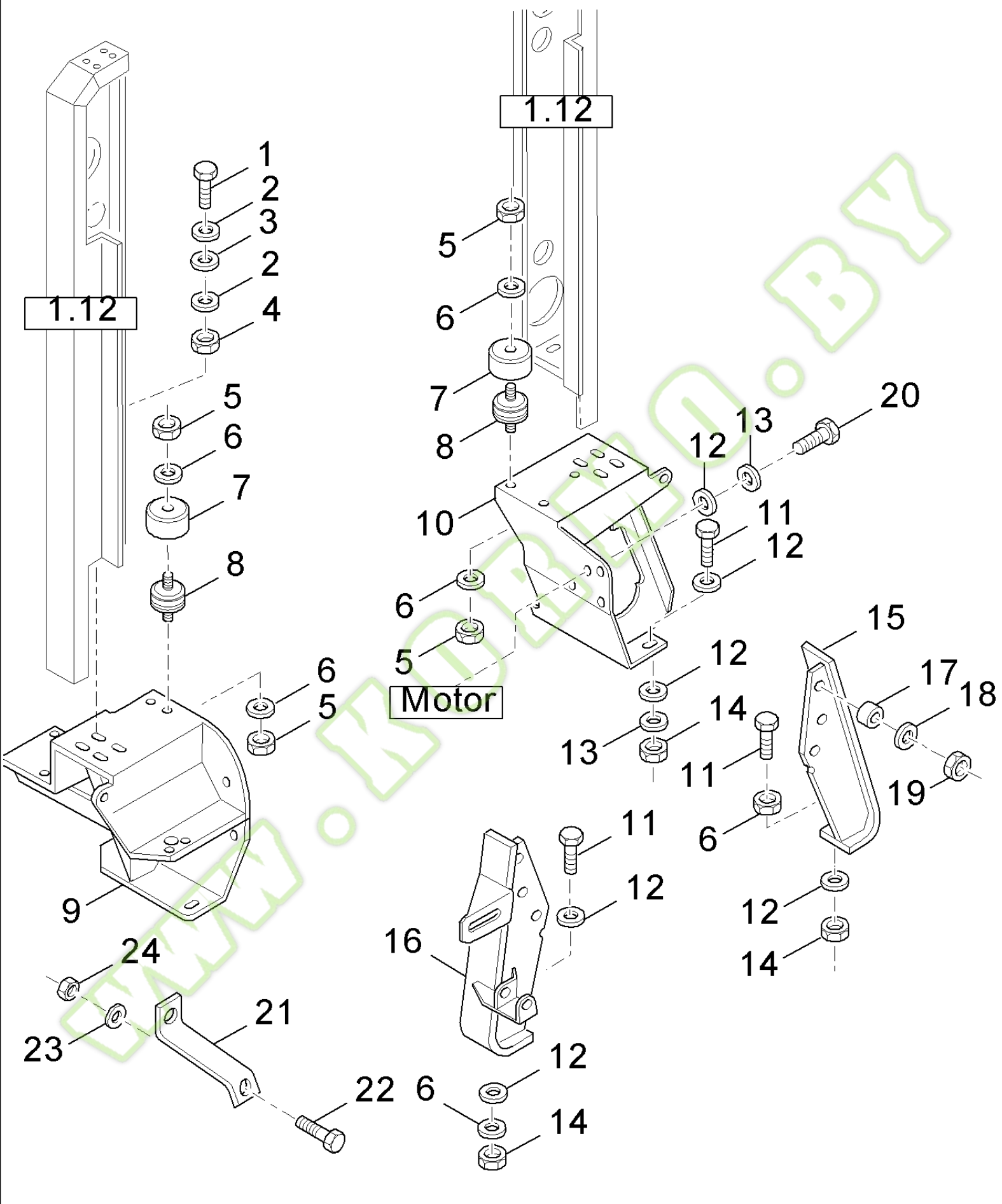
## 01.09A(01) AIR FILTER

Ref	Part Number	Qty	Description
1	80449815	1	CLAMP,
2	84037251	1	HOSE,
3	84045006	1	CONNECTOR, HYD.,
4	84036869	1	PRE-CLEANER ASSY, AIR,
5	120100	12	BOLT, {PP:80120100} Hex, M6 x 20, 8.8, M6X20
6	322357	24	WASHER, LOCK, {PP:80322357} Belleville, M6, Belleville, M6
7	9706755	12	NUT, {PP:89706755} M6, CI 8, M6
8	89514462	1	CONNECTOR, HYD.,
9	84058087	1	TUBE,
10	84058090	1	PLATE, COVER,

WWW.KORMO.BY

ONLY VALID UNTIL SEASON '97

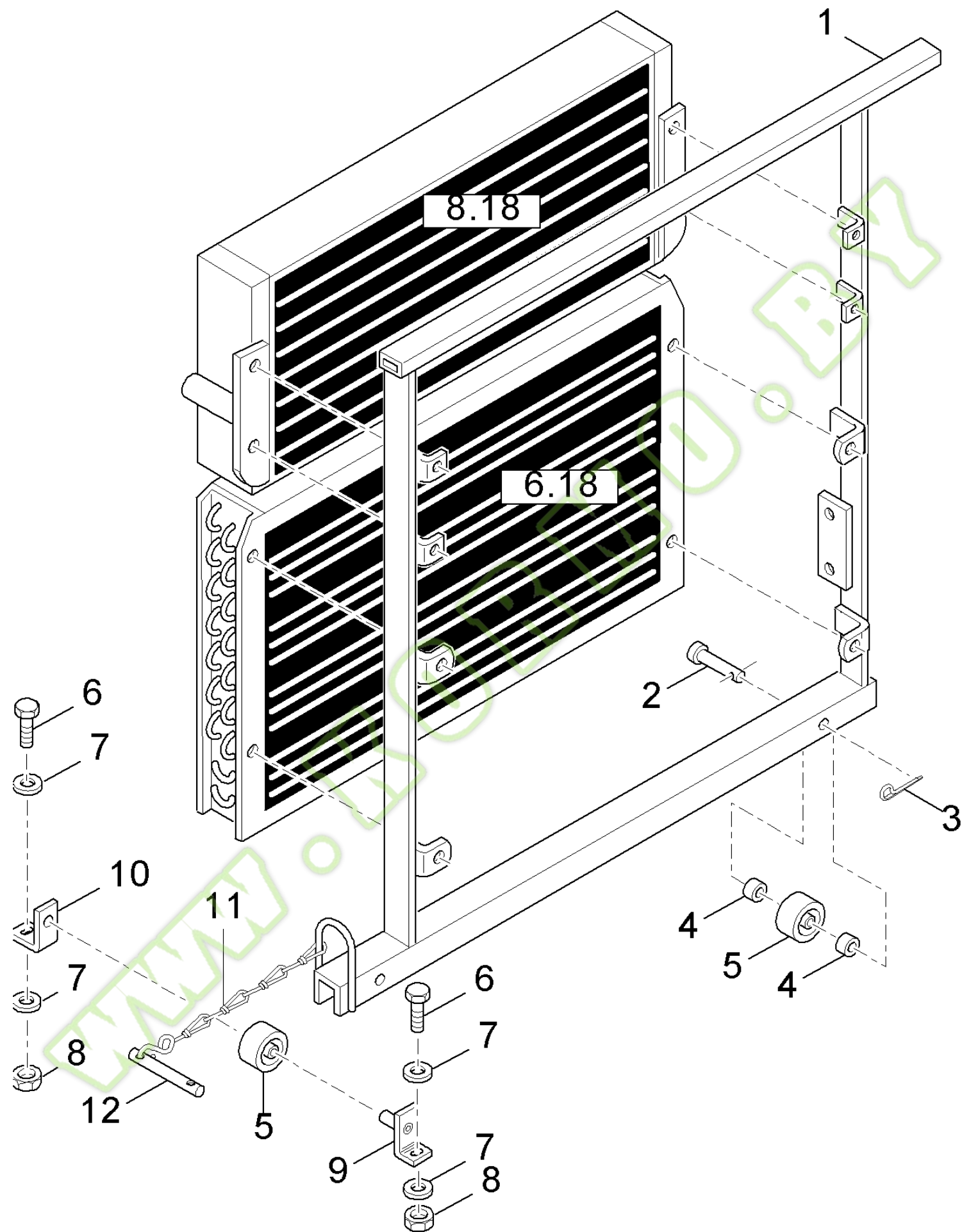




## FX375 NH SELF PROPELLED FORAGE HARVESTER - YELLOW VERSION

## 01.10(01) ENGINE: SUPPORTS

Ref	Part Number	Qty	Description
1	43140	4	BOLT, {PP:80043140} Hex, M10 x 30, 8.8, M10X30
2	140045	4	WASHER, LOCK, {PP:80140045} Belleville, M10, 10MM
3	481489	4	PLATE, ADJUSTING, {PP:80481489}
4	100016	4	NUT, {PP:80100016} M10, CI 8, M10
5	330327	8	NUT, {PP:80330327} M12 x 1.25", CI 8, M12X1.5
6	140046	10	WASHER, LOCK, {PP:80140046} Belleville, M12, 12MM
7	89850749	4	CAP, FLANGE COVER,
8	89850744	4	DAMPER,
9	84045062	1	SUPPORT, LH, D1400-
9	89835262	1	SUPPORT, LH, -C0413
10	89835263	1	SUPPORT, RH
11	120090	6	SCREW, {PP:80120090} Hex, M16 x 50, 8.8, Hex, M16 x 50, 8.8
12	394631	17	WASHER, {PP:80394631} 16MM
13	140048	10	WASHER, LOCK, {PP:80140048} Belleville, M16, 16MM
14	100020	6	NUT, {PP:80100020} M16, CI 8, M16, CI 8
15	89835256	1	SUPPORT, RH
16	84014769	1	SUPPORT,
17	84015623	6	BUSHING,
18	140047	6	WASHER, LOCK, {PP:80140047}
19	100019	6	NUT, {PP:80100019} M14, CI 8, M14
20	80412212	6	BOLT, M16X1.5X35
21	84053454	1	BRACKET, , D1400-
22	80120104	1	SCREW, M8X20, D1400-
23	322358	1	WASHER, LOCK, {PP:80322358} Belleville, M8, 8MM, D1400-
24	100015	1	NUT, {PP:80100015} M8, CI 8, M8, D1400-



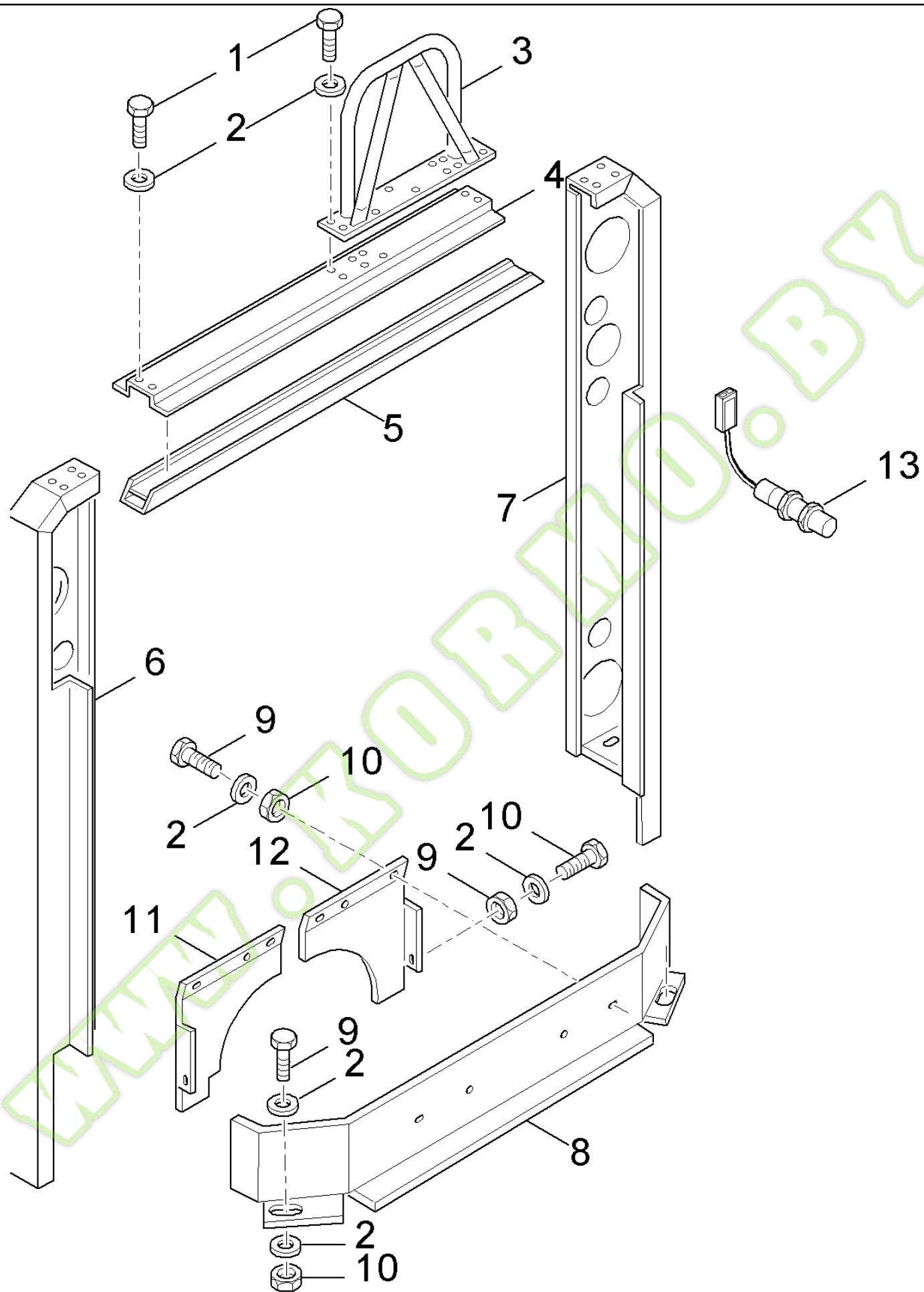
## FX375 NH SELF PROPELLED FORAGE HARVESTER - YELLOW VERSION

## 01.11(01) ENGINE ACCESSORIES

Ref	Part Number	Qty	Description
1	84018186	1	SUPPORT,
2	84018348	1	PIN, CLEVIS,
3	130004	2	PIN, SPLIT (COTTER), {PP:80130004} M3.2 x 25,
4	84015622	2	BUSHING,
5	84005506	2	ROLLER,
6	80120104	2	SCREW, M8X20
7	322358	4	WASHER, LOCK, {PP:80322358} Belleville, M8, 8MM
8	100015	2	NUT, {PP:80100015} M8, CI 8, M8
9	84015193	1	SUPPORT,
10	84005501	1	BRACKET,
11	370539	1	PIN, SPLIT (COTTER), {PP:80370539}
12	80353024	1	PIN, ROLL,

WWW.KORMO.BY

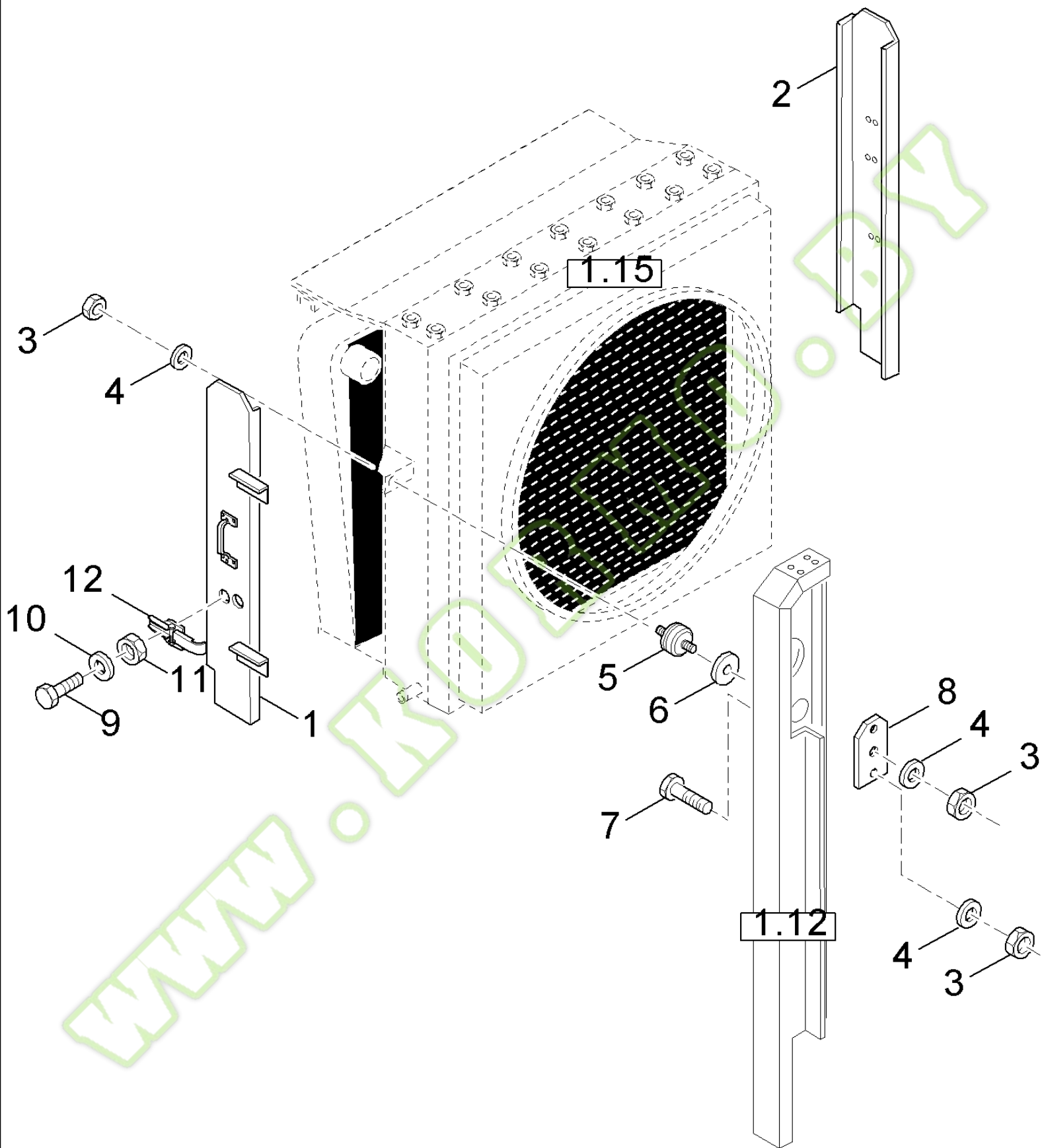
01.12(01) RADIATOR: SUPPORTS



## FX375 NH SELF PROPELLED FORAGE HARVESTER - YELLOW VERSION

## 01.12(01) RADIATOR: SUPPORTS

Ref	Part Number	Qty	Description
1	43127	10	BOLT, {PP:80043127} Hex, M8 x 25, 8.8, M8X25
2	322356	27	WASHER, LOCK, {PP:80322356} 8MM
3	84017594	1	SUPPORT,
4	84017582	1	PROFILE,
5	84014068	1	SUPPORT,
6	84014166	1	SUPPORT, LH, FOR FX300/9630 ONLY, -C0412
6	84023094	1	SUPPORT, LH, FOR FX375-450/9640-9645 ONLY, -C0412
6	84042421	1	SUPPORT, LH, D1300-
7	84014165	1	SUPPORT, RH, FOR FX300/9630 ONLY, -C0412
7	84023092	1	SUPPORT, RH, FOR FX375-450/9640-9645 ONLY, -C0412
7	84042423	1	SUPPORT, RH, D1300-
8	84014448	1	PROFILE,
9	80120104	7	SCREW, M8X 20
10	100015	7	NUT, {PP:80100015} M8, CI 8, M8
11	84014482	1	SHIELD,
12	84014483	1	SHIELD,
13	84036824	1	SENSOR,



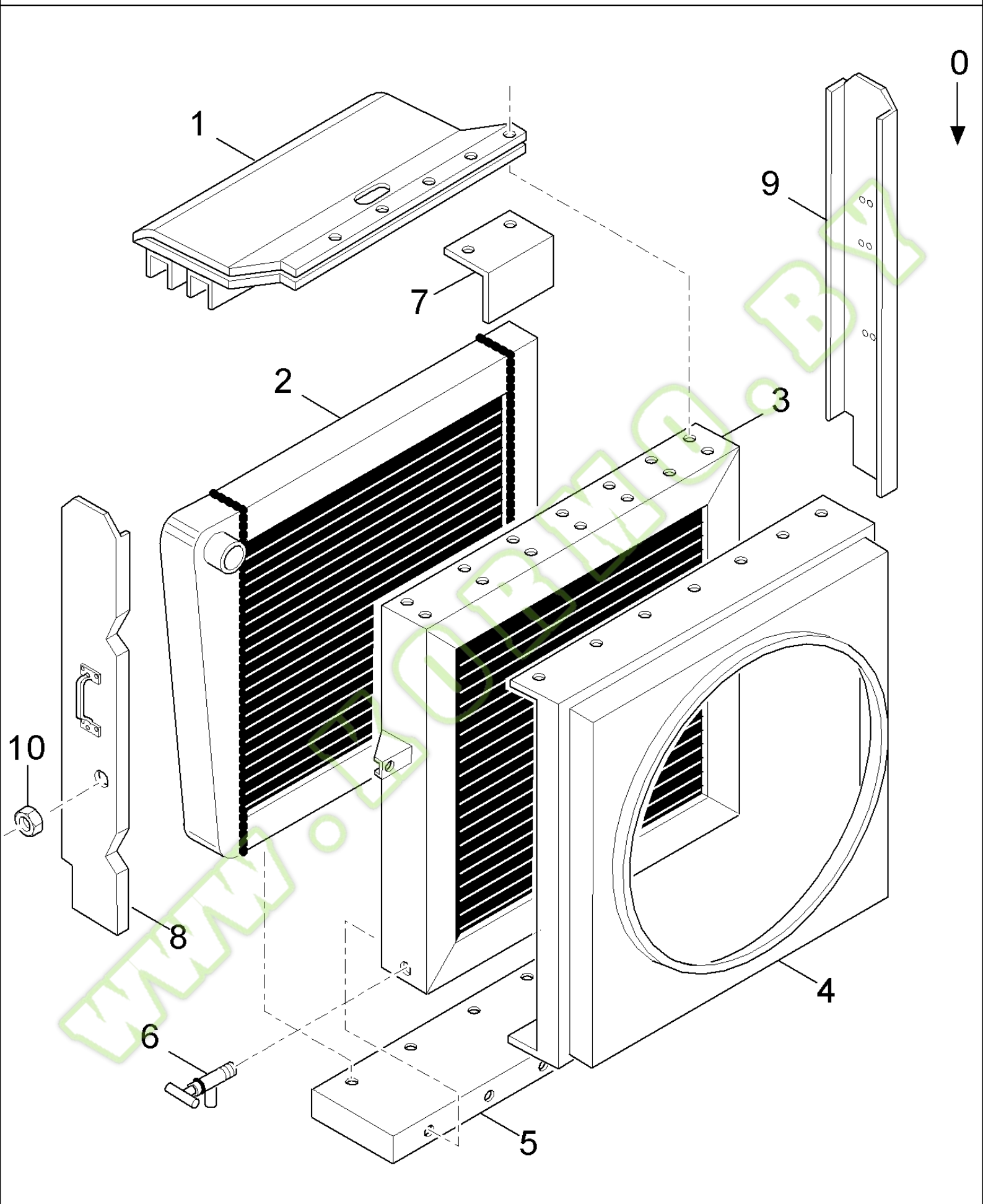


## FX375 NH SELF PROPELLED FORAGE HARVESTER - YELLOW VERSION

## 01.13(01) RADIATOR AND INTERCOOLER

Ref	Part Number	Qty	Description
1	84015750	1	COVER, , -C0412
2	84015751	1	COVER, , -C0412
3	100015	8	NUT, {PP:80100015} M8, CI 8, M8
4	322358	8	WASHER, LOCK, {PP:80322358} Belleville, M8, 8MM
5	9833258	2	SHOCK ABSORBER, {PP:89833258}
6	740318	AR	WASHER, {PP:80740318}
7	80120104	2	SCREW, M8X20
8	84015655	2	PLATE, COVER,
9	80300806	4	SCREW, M5X10
10	322356	4	WASHER, LOCK, {PP:80322356} 5MM
12	244457	2	CLAMP, {PP:80244457}
11	100013	4	NUT, {PP:80100013} M4, CI 8, M5

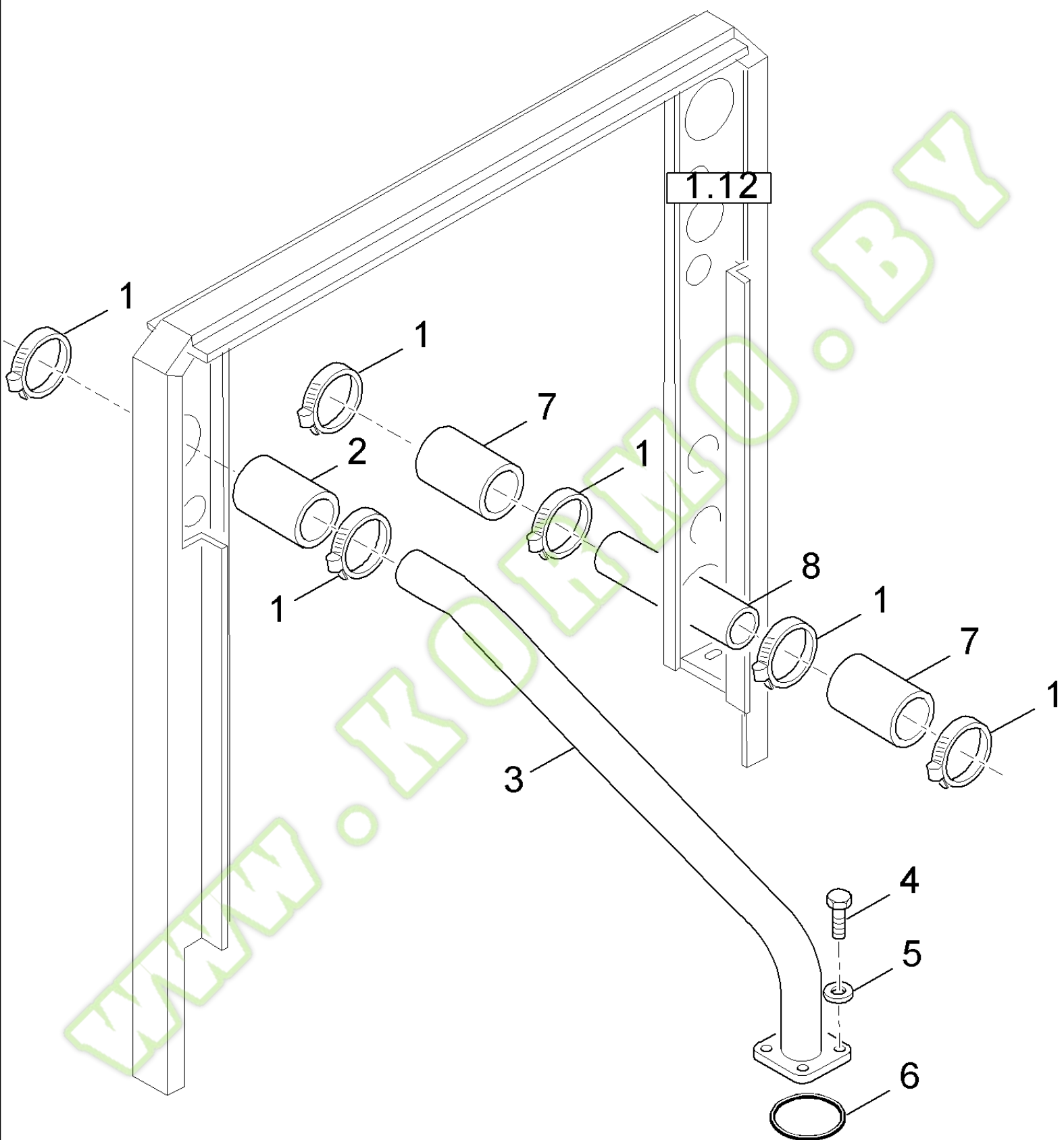
WWW.KORMO.BY



## FX375 NH SELF PROPELLED FORAGE HARVESTER - YELLOW VERSION

## 01.15(01) RADIATOR AND INTERCOOLER

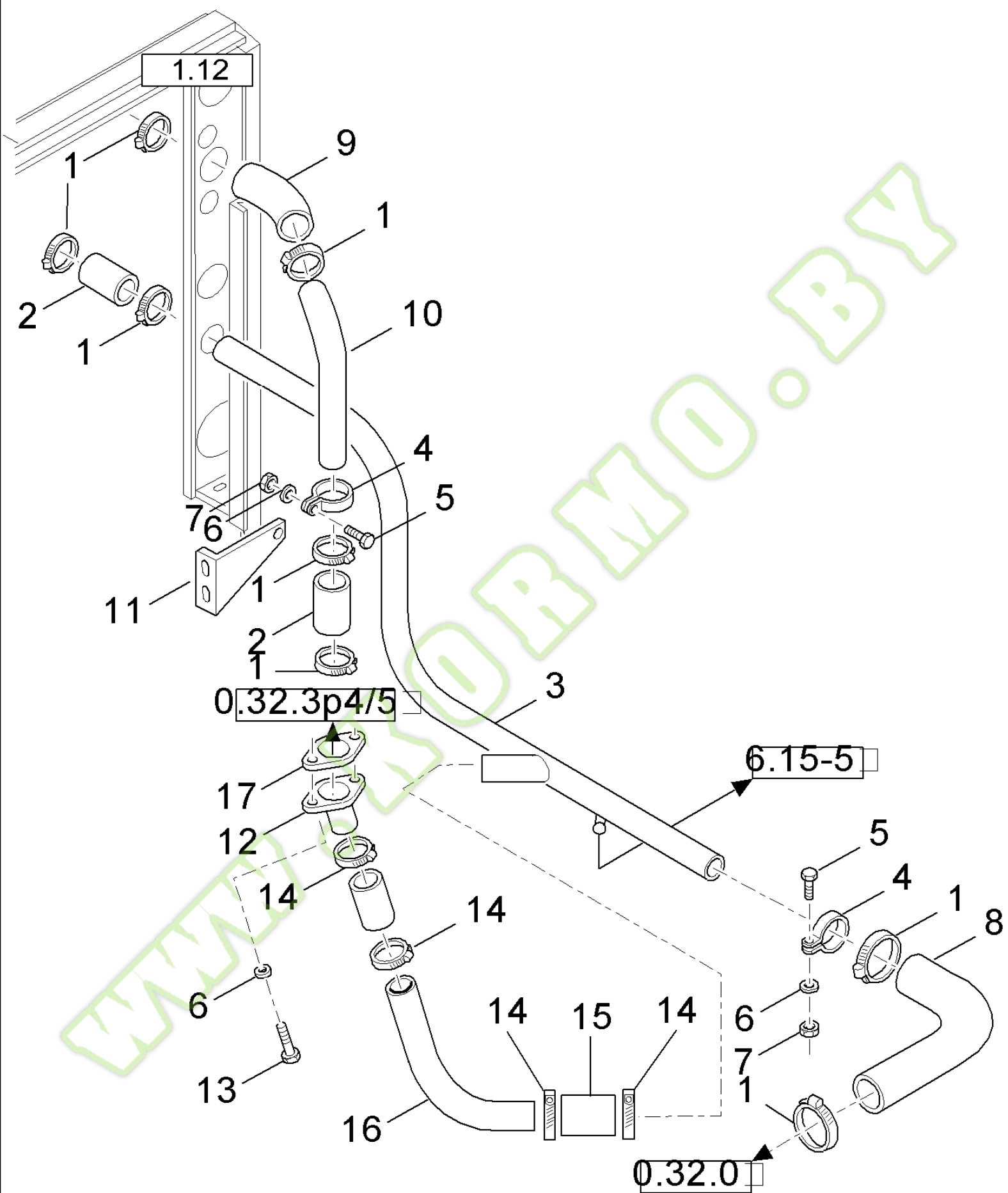
Ref	Part Number	Qty	Description
0	84041456	1	RADIATOR, (1 TO 7), FOR FX300/9630 ONLY
0	84041513	1	RADIATOR, (1 TO 7), FOR FX375/9640 ONLY
0	84041514	1	RADIATOR, (1 TO 7), FOR FX450/9645 ONLY
1	84032055	1	SUPPORT, , FOR FX300-375/9630-9640 ONLY
1	84032075	1	SUPPORT, , FOR FX450/9645 ONLY
2	84022310	1	INTERCOOLER, , FOR FX300-375/9630-9640 ONLY
2	84032074	1	INTERCOOLER, , FOR FX450/9645 ONLY
3	84032003	1	RADIATOR, , FOR FX300/9630 ONLY
3	84041929	1	RADIATOR, , FOR FX375/9640 ONLY
3	84041926	1	RADIATOR, , FOR FX450/9645 ONLY
4	84031575	1	PANEL, BOXED, , FOR FX300-375/9630-9640 ONLY
4	84022315	1	PANEL, BOXED, , FOR FX450/9645 ONLY
5	84032056	1	SUPPORT, , FOR FX300-375/9630-9640 ONLY
5	84032076	1	SUPPORT, , FOR FX450/9645 ONLY
6	84022316	1	DRAINCOCK/TAP, SUPPLY,
7	84032057	1	COVER,
8	84037275	1	COVER, , FOR FX300-375/9630-9640 ONLY
8	84041927	1	COVER, , FOR FX450/9645 ONLY
9	84037276	1	COVER, , FOR FX300-375/9630-9640 ONLY
9	84041928	1	COVER, , FOR FX450/9645 ONLY
10	89804277	4	NUT,



## 01.16(01) RADIATOR AND INTERCOOLER

Ref	Part Number	Qty	Description
1	84021019	6	CLAMP,
2	84022580	1	HOSE,
3	84015514	1	TUBE,
4	43139	4	SCREW, {PP:80043139} Hex, M10 x 25, 8.8, Full Thd, M10X30
5	140045	4	WASHER, LOCK, {PP:80140045} Belleville, M10, 10MM
6	455025	1	O-RING, {PP:80455025} -244, 70 Duro, 4.234" ID x .139" Thk,
7	84022579	2	ELBOW,
8	84018336	1	TUBE,

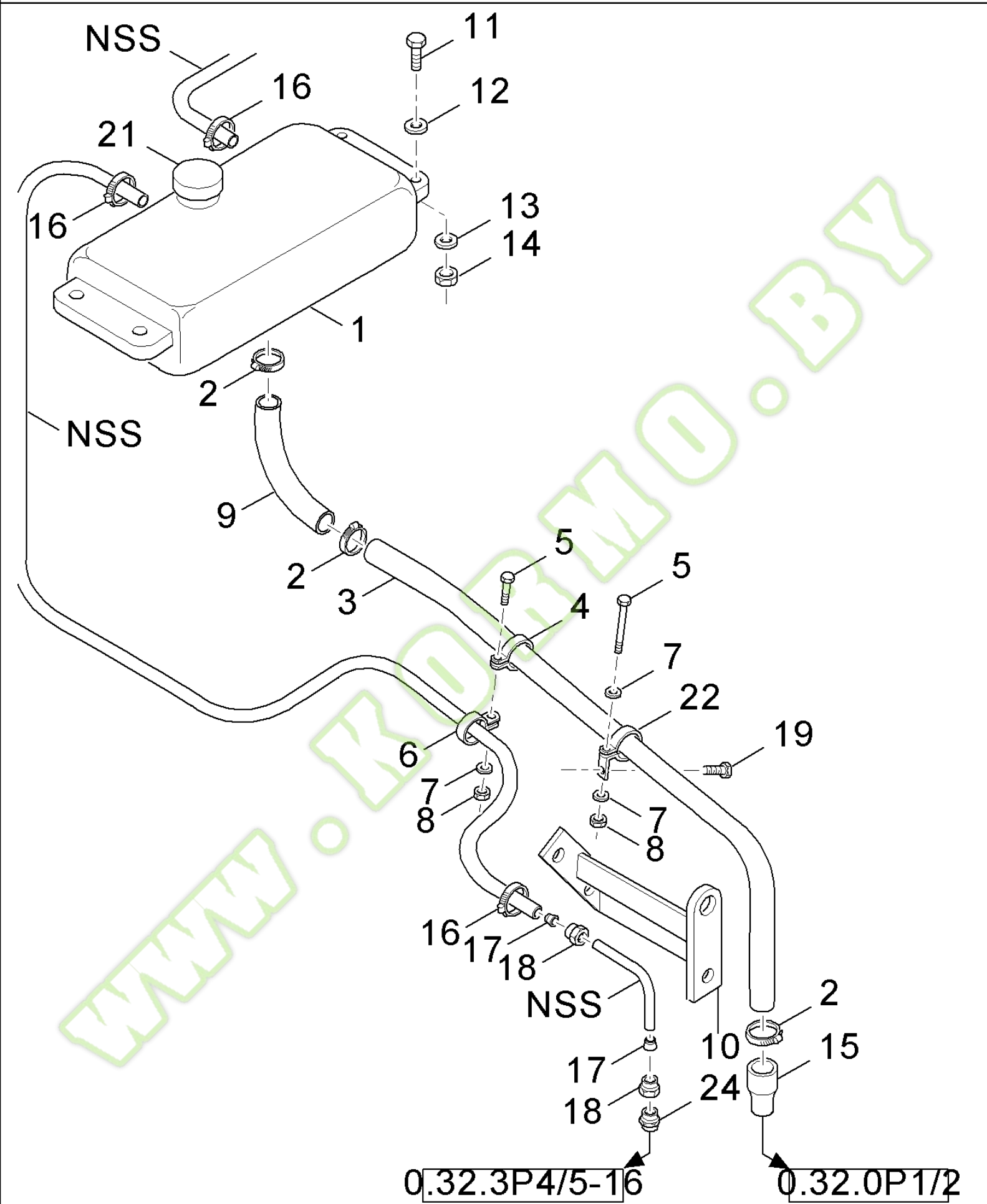
WWW.KORMO.BY



## FX375 NH SELF PROPELLED FORAGE HARVESTER - YELLOW VERSION

## 01.18(01) RADIATOR AND INTERCOOLER

Ref	Part Number	Qty	Description
1	381145	8	CLAMP, {PP:80381145}
2	89833673	2	HOSE,
3	84015546	1	TUBE,
4	84015625	2	CLAMP,
5	43128	2	SCREW, {PP:80043128} Hex, M8 x 30, 8.8, Cap, HH, CL 8.8, M8 x 1.25 x 30
6	322358	4	WASHER, LOCK, {PP:80322358} Belleville, M8, 8MM
7	100015	2	NUT, {PP:80100015} M8, CI 8, M8
8	84015434	1	ELBOW,
9	84012945	1	HOSE,
10	84012986	1	TUBE, HYD,
11	84018916	1	SUPPORT,
12	89835002	1	FLANGE,
13	43127	2	BOLT, {PP:80043127} Hex, M8 x 25, 8.8, M8X25
14	360747	4	CLAMP, {PP:80360747}
15	84012953	2	HOSE,
16	84023780	1	TUBE, HYD,
17	98438824	1	GASKET,

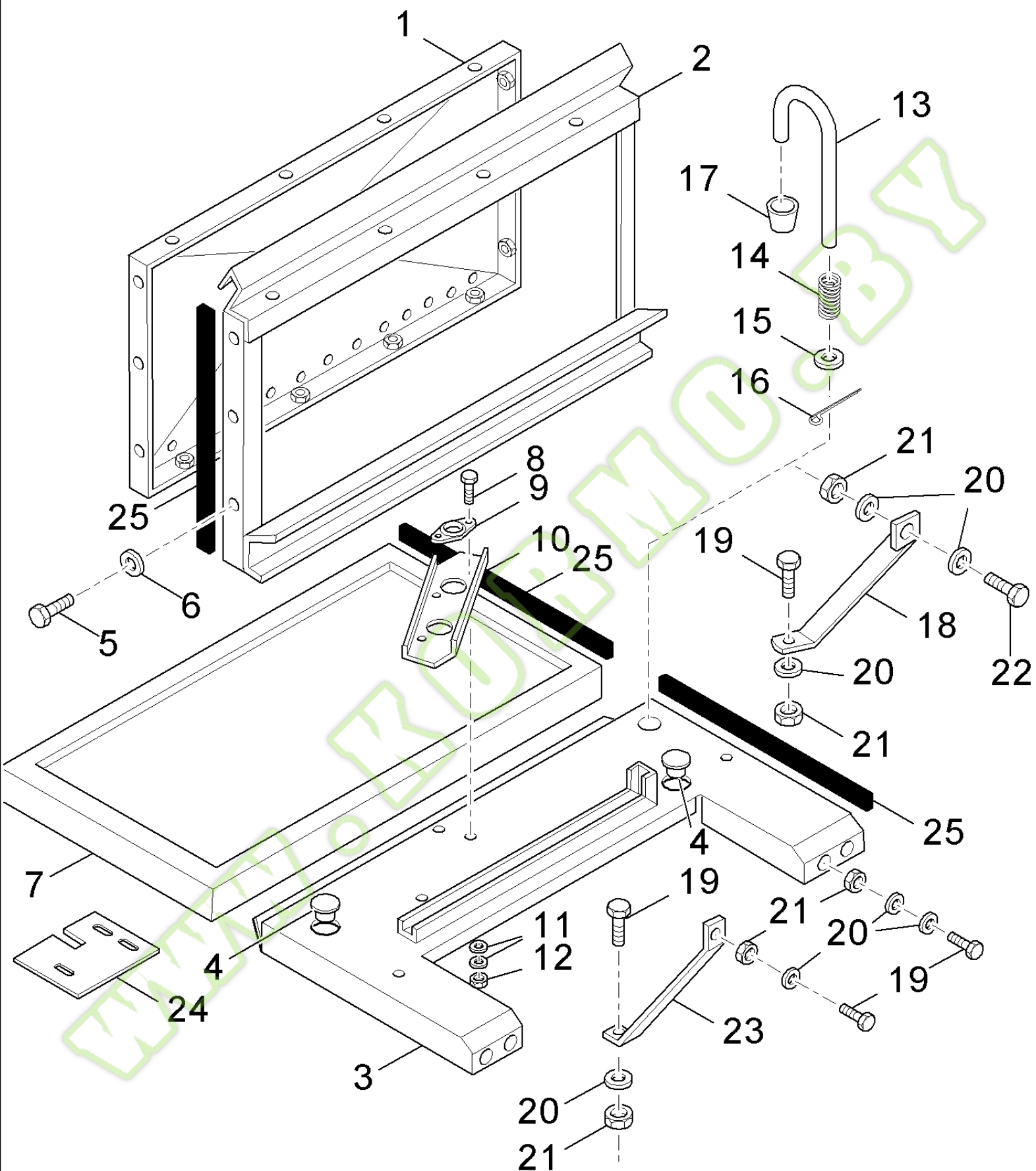




## FX375 NH SELF PROPELLED FORAGE HARVESTER - YELLOW VERSION

01.19(01) "SHUNT TANK"

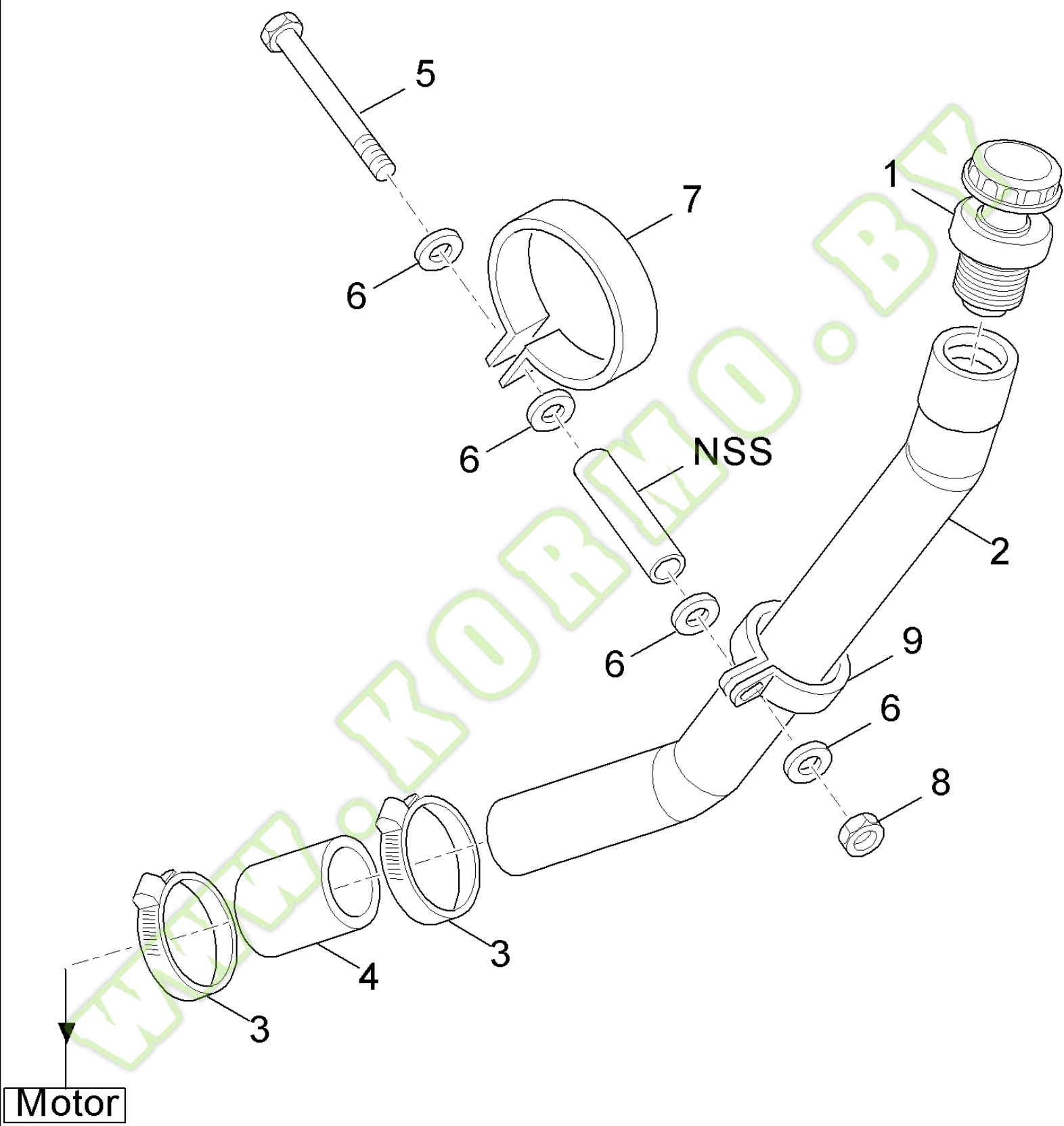
Ref	Part Number	Qty	Description
1	84031662	1	TANK, (21)
2	382528	2	CLAMP, {PP:80382528}
3	84032152	1	TUBE, HYD,
4	9706748	1	CLAMP, {PP:89706748}
5	43128	2	SCREW, {PP:80043128} Hex, M8 x 30, 8.8, Cap, HH, CL 8.8, M8 x 1.25 x 30
6	455556	1	CLAMP, {PP:80455556}
7	322358	2	WASHER, LOCK, {PP:80322358} Belleville, M8, 8MM
8	100015	2	NUT, {PP:80100015} M8, CI 8, M8
9	84032238	1	HOSE,
10	84018212	1	SUPPORT,
11	120106	4	SCREW, {PP:80120106} Hex, M8 x 40, 8.8, Full Thd, Hex, M8 x 40, 8.8, Full Thd
12	140041	4	WASHER, {PP:80140041} M8 x 28 x 3,
13	378243	8	WASHER, {PP:80378243} 8MM
14	100067	4	NUT, {PP:80100067} M8 x 1.25", CI 8, M8
15	84032239	1	HOSE,
16	326082	2	CLAMP, {PP:80326082}
17	335136	2	FERRULE, {PP:80335136}
18	335135	2	NUT, {PP:80335135}
19	391510	2	SCREW, {PP:80391510} M8X20
20	89513082	1	CONNECTOR, HYD.,
21	84032108	1	COVER, CAP, (0.7BAR)
22	84032174	1	CLAMP,



## FX375 NH SELF PROPELLED FORAGE HARVESTER - YELLOW VERSION

## 01.20(01) ENGINE ACCESSORIES

Ref	Part Number	Qty	Description
1	84018384	1	PLATE,
2	84018369	1	SUPPORT, , -C0405
2	84032363	1	FRAME, , D0600-
3	84026727	1	PLATE, , FOR FX300-375/9630-9640 ONLY
3	84031978	1	PLATE, , FOR FX450/9645 ONLY
4	433314	2	PLUG, {PP:80433314}
5	80378056	14	SCREW, M6X10
6	412649	10	WASHER, LOCK, {PP:80412649} Belleville, M6, Belleville, M6
7	84031402	1	PLATE, , -C0405
7	89837109	1	PLATE, , D0600-
8	86977786	4	BOLT, Hex, M6 x 25, 8.8, M6X25
9	84023779	2	ELEMENT, SEALING,
10	84018144	2	GUIDE,
11	140015	8	WASHER, {PP:80140015} 6MM
12	353308	4	NUT, {PP:80353308} M6 x 1, CI 8, M6
13	80451512	1	HOOK,
14	80918027	1	SPRING,
15	378244	1	WASHER, LOCK, {PP:80378244} 10MM
16	130004	1	PIN, SPLIT (COTTER), {PP:80130004} M3.2 x 25,
17	80458654	1	PLUG,
18	84014076	1	BRACKET,
19	80120104	7	SCREW, M8X20
20	322358	21	WASHER, LOCK, {PP:80322358} Belleville, M8, 8MM
21	100015	7	NUT, {PP:80100015} M8, CI 8, M8
22	43128	1	SCREW, {PP:80043128} Hex, M8 x 30, 8.8, Cap, HH, CL 8.8, M8 x 1.25 x 30
23	89814042	1	BRACKET,
24	84038389	1	PLATE, COVER, , -C0405
25	84056062	AR	SEAL PROTECTION, L=6000MM

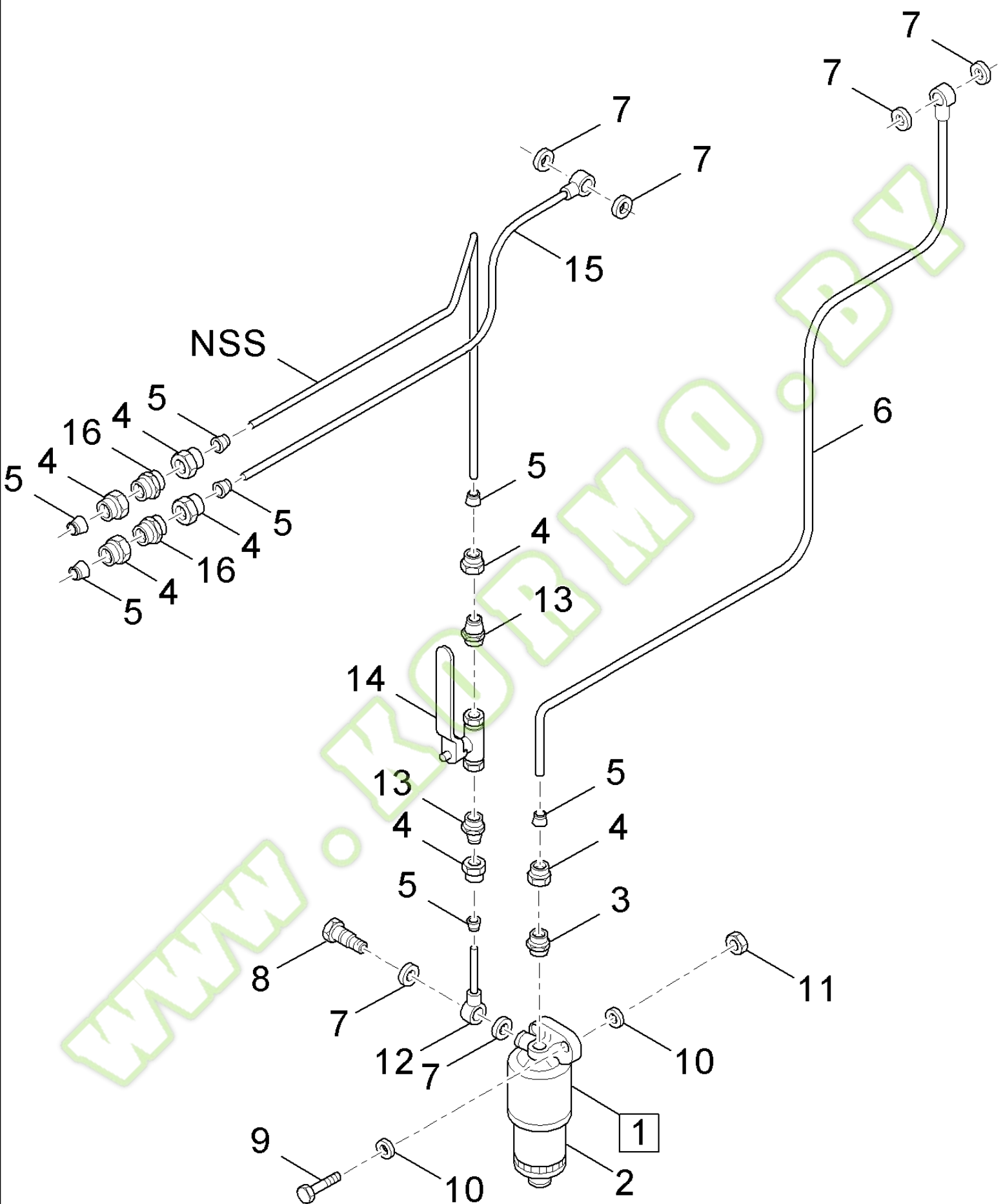


## FX375 NH SELF PROPELLED FORAGE HARVESTER - YELLOW VERSION

## 01.21(01) OIL FILL TUBE

Ref	Part Number	Qty	Description
1	84015754	1	INDICATOR,
2	84015559	1	TUBE,
3	382528	2	CLAMP, {PP:80382528}
4	84023029	1	HOSE,
5	120064	1	SCREW, {PP:80120064} Hex, M8 x 90, 8.8, M8X90
6	322358	4	WASHER, LOCK, {PP:80322358} Belleville, M8, 8MM
7	84053873	1	CLAMP, , D1400-
7	84015624	1	CLAMP, , -C0413
8	100015	1	NUT, {PP:80100015} M8, CI 8, M8
9	84015625	1	CLAMP,

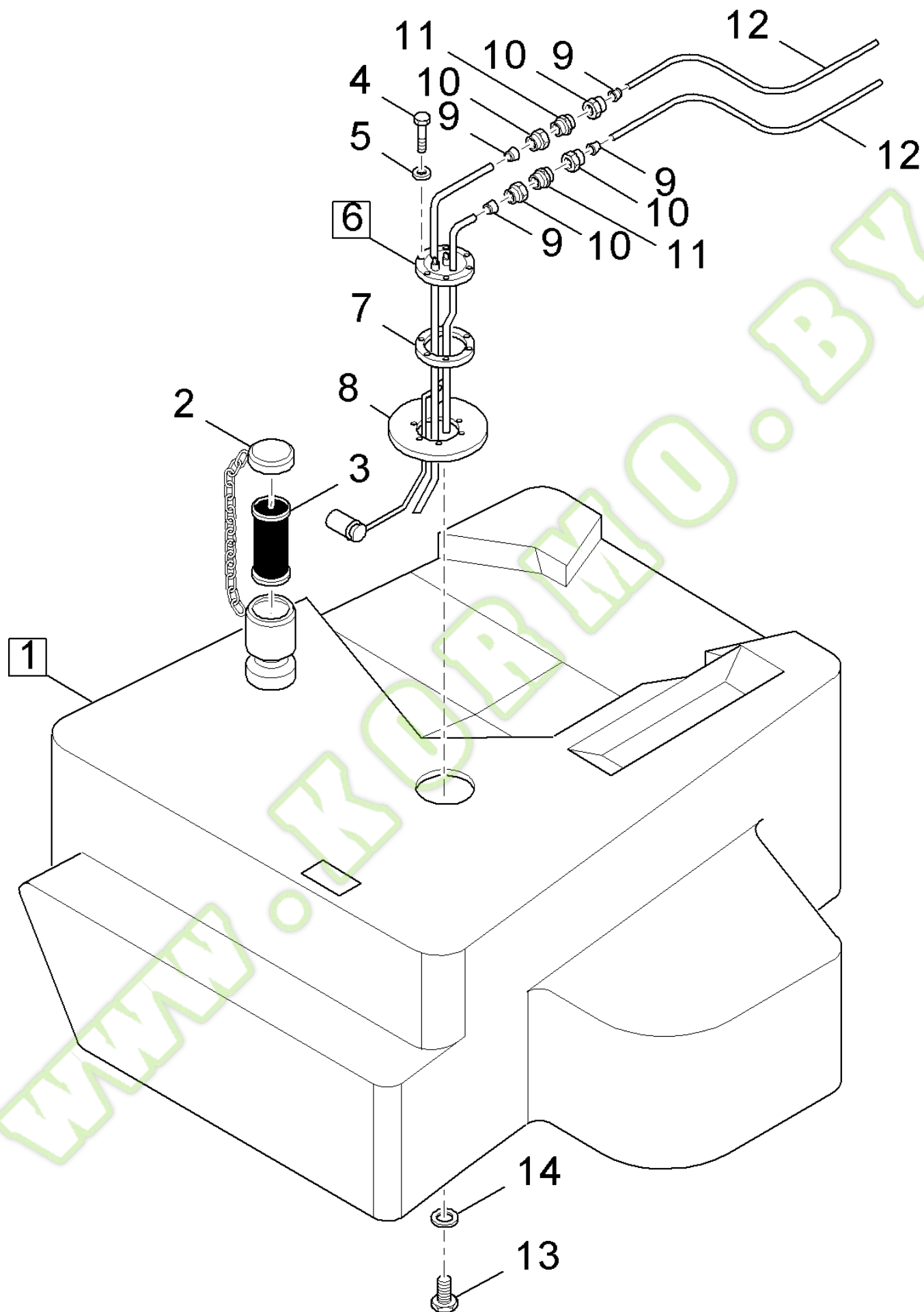
WWW.KORMO.BY



## FX375 NH SELF PROPELLED FORAGE HARVESTER - YELLOW VERSION

## 01.22(01) FUEL TANK

Ref	Part Number	Qty	Description
1	9512385	1	FILTER, FUEL, {PP:89512385} (2)
2	9512387	1	FILTER, ELEMENT, {PP:89512387}
3	420522	1	CONNECTOR, HYD., {PP:80420522}
4	100042	7	NUT, {PP:80100042}
5	150014	7	FERRULE, {PP:80150014}
6	84015878	1	TUBE, HYD,
7	220049	6	GASKET, {PP:80220049}
8	80354969	1	SCREW, HOLLOW,
9	43128	2	SCREW, {PP:80043128} Hex, M8 x 30, 8.8, Cap, HH, CL 8.8, M8 x 1.25 x 30
10	322358	4	WASHER, LOCK, {PP:80322358} Belleville, M8, 8MM
11	100015	2	NUT, {PP:80100015} M8, CI 8, M8
12	84015876	1	TUBE, HYD,
13	385812	2	CONNECTOR, HYD., {PP:80385812}
14	84011517	1	DRAINCOCK/TAP, SUPPLY,
15	84015880	1	TUBE, HYD,
16	150017	2	CONNECTOR, HYD., {PP:80150017}

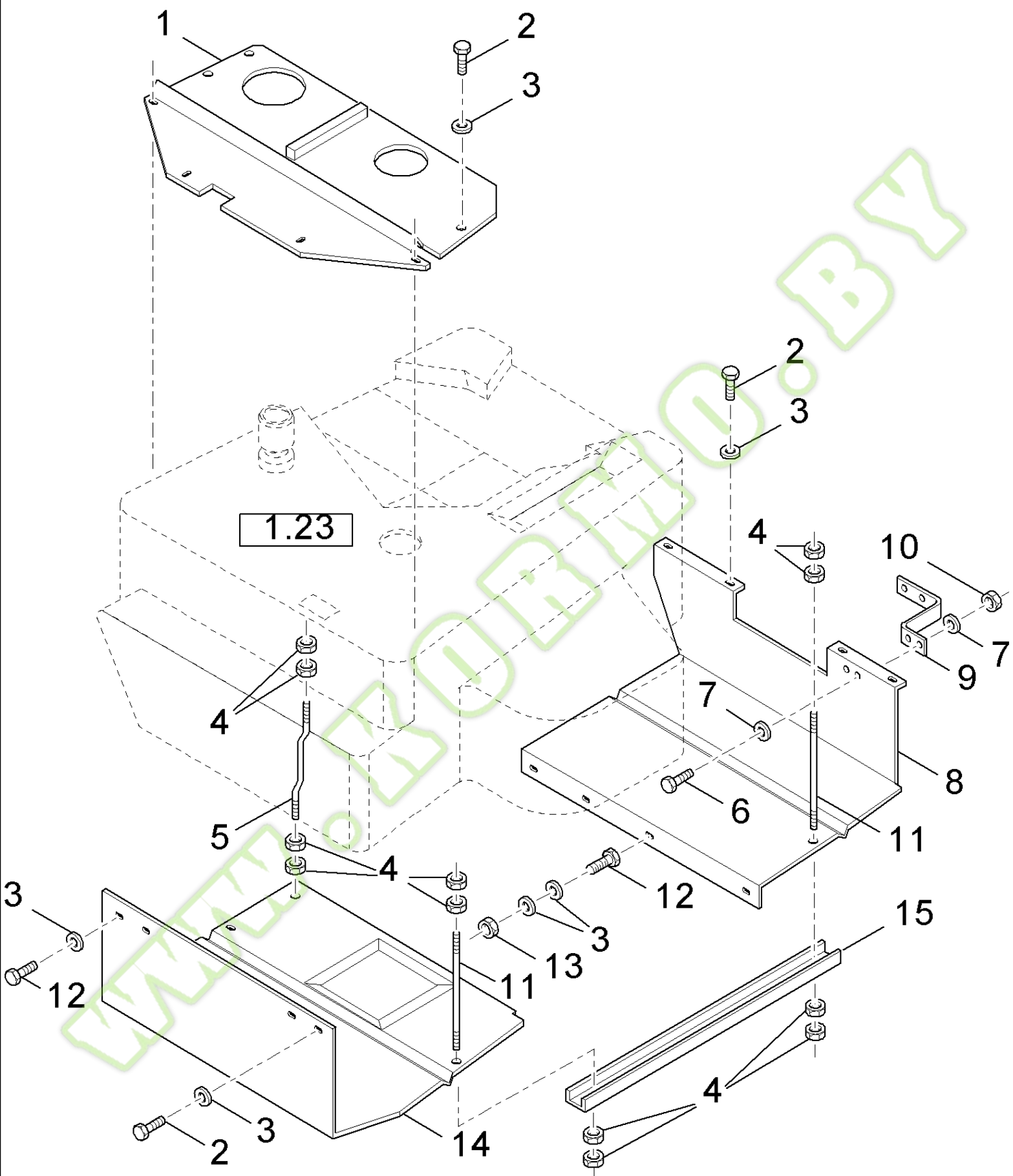




## FX375 NH SELF PROPELLED FORAGE HARVESTER - YELLOW VERSION

## 01.23(01) FUEL TANK

Ref	Part Number	Qty	Description
1	89811258	1	FUEL TANK, (2,3,14,15)
2	448519	1	CAP, FILLER, {PP:80448519} , -C0412
2	84069747	1	CAP, , D1300-
3	9501200	1	FILTER, STRAINER, {PP:89501200}
4	120098	6	SCREW, {PP:80120098} Hex, M5 x 20, 8.8, Full Thd, M5X20
5	322356	6	WASHER, LOCK, {PP:80322356} 5MM
6	84058440	1	INDICATOR, (7)
7	9832364	1	GASKET, {PP:89832364}
8	84017485	1	PLATE, COVER,
9	150014	4	FERRULE, {PP:80150014}
10	100042	4	NUT, {PP:80100042}
11	150017	2	CONNECTOR, HYD., {PP:80150017}
12	371539	1	TUBE, RIGID, {PP:80371539} D=10
13	89831262	1	PLUG,
14	89831263	1	GASKET,

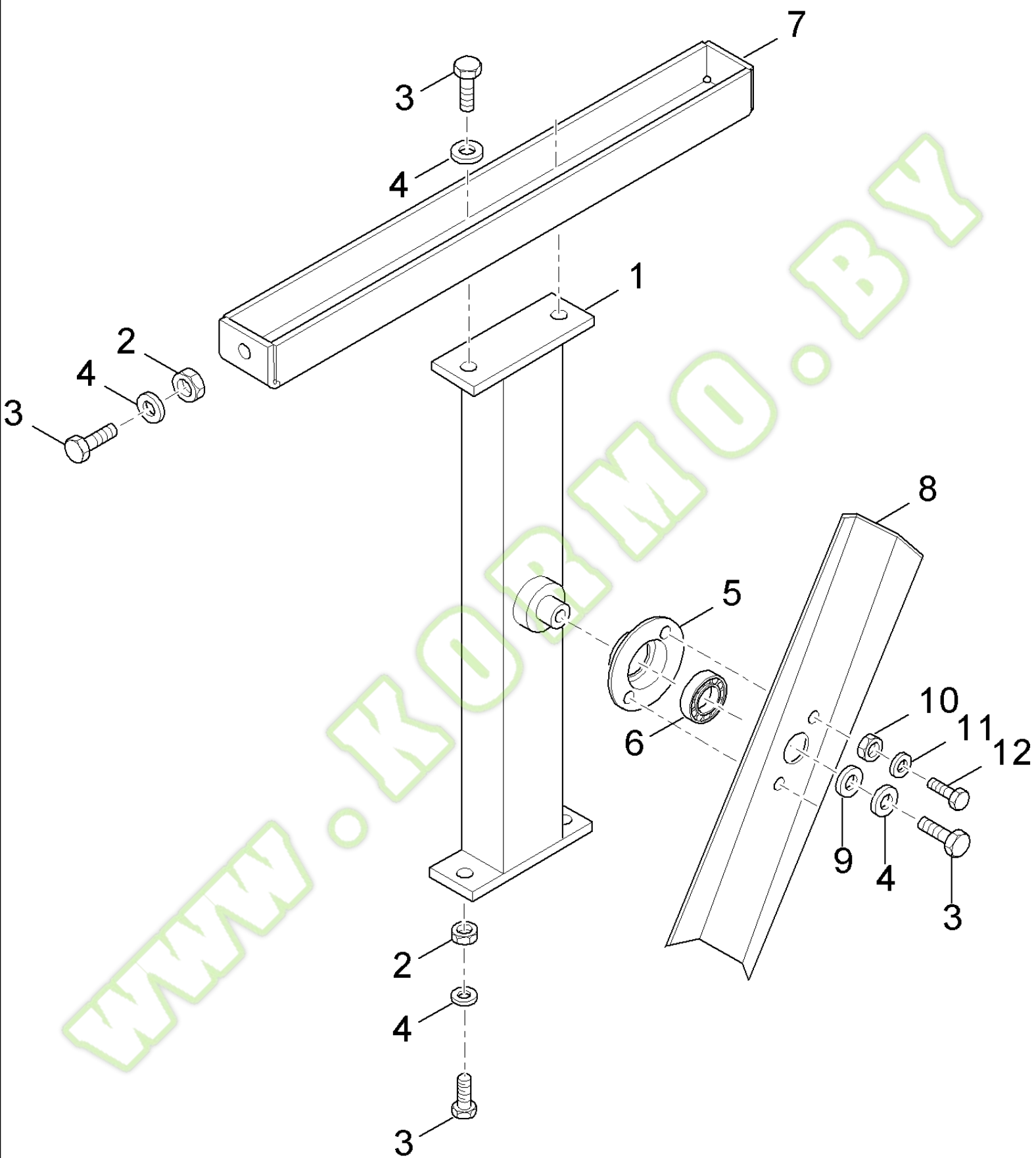


## FX375 NH SELF PROPELLED FORAGE HARVESTER - YELLOW VERSION

## 01.24(01) FUEL TANK

Ref	Part Number	Qty	Description
1	84035487	1	PLATE,
2	43140	10	BOLT, {PP:80043140} Hex, M10 x 30, 8.8, M10X30
3	140045	21	WASHER, LOCK, {PP:80140045} Belleville, M10, 10MM
4	337475	11	NUT, {PP:80337475} M12, CI 10, M10
5	89593261	1	ROD, THREADED,
6	80120104	2	SCREW, M8X20
7	322358	4	WASHER, LOCK, {PP:80322358} Belleville, M8, 8MM
8	89812624	1	PLATE,
9	84022847	1	BRACKET,
10	100015	2	NUT, {PP:80100015} M8, CI 8, M8
11	89812626	2	ROD, THREADED,
12	120109	7	SCREW, {PP:80120109} Hex, M10 x 20, 8.8, Full Thd, M10X20
13	100016	4	NUT, {PP:80100016} M10, CI 8, M6
14	89812630	1	PLATE,
15	89593264	1	PROFILE,

WWW.KORMO.BY



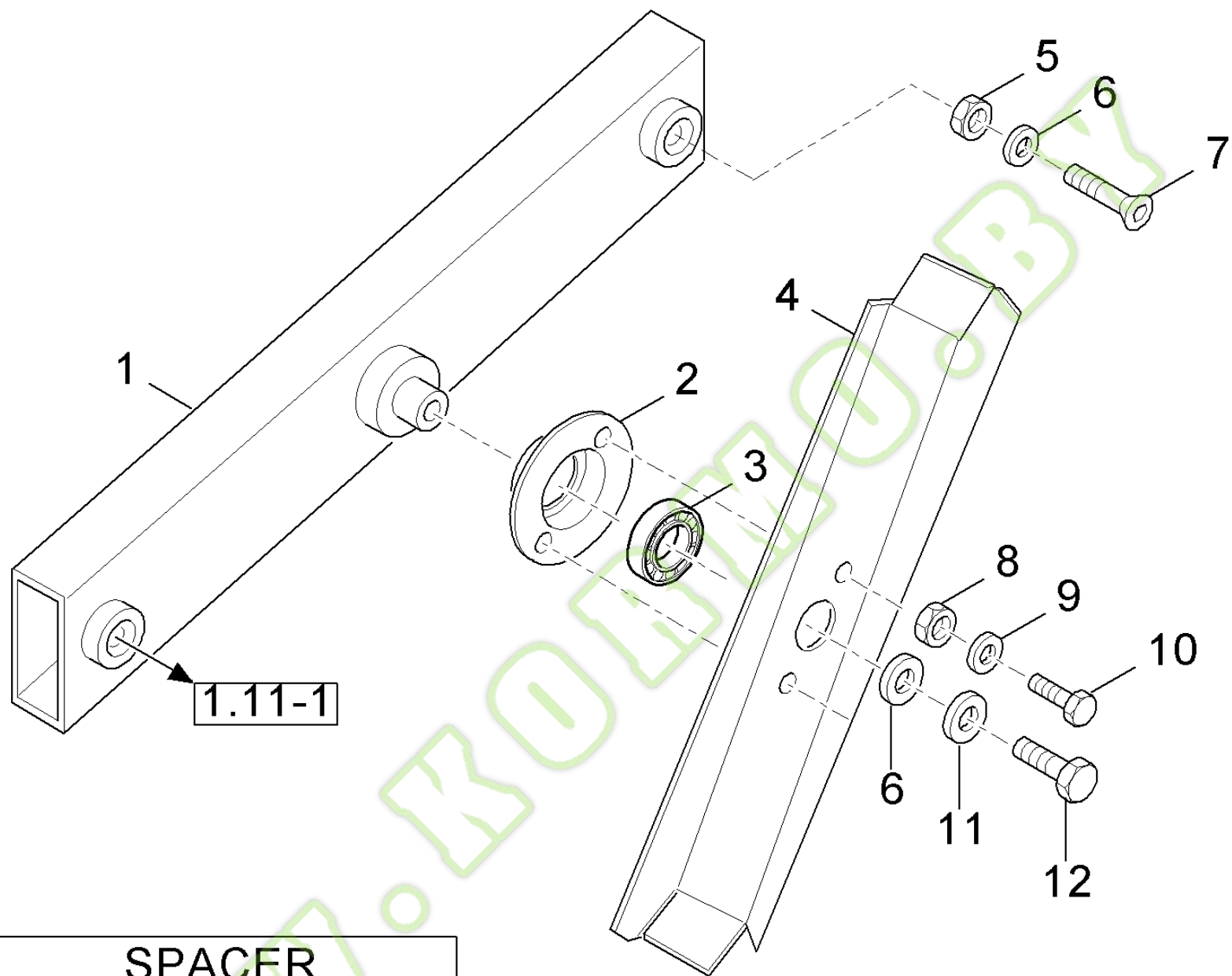
## FX375 NH SELF PROPELLED FORAGE HARVESTER - YELLOW VERSION

## 01.25(01) WIPER FOR RADIATOR

Ref	Part Number	Qty	Description
1	84031494	1	SUPPORT,
2	100016	4	NUT, {PP:80100016} M10, CI 8, M10
4	140045	7	WASHER, LOCK, {PP:80140045} Belleville, M10,
5	84017501	1	HOUSING,
6	362804	1	BEARING, BALL, {PP:80362804}
7	84031498	1	BRACKET,
8	84031558	1	BLADE,
9	378244	1	WASHER, LOCK, {PP:80378244}
10	100015	2	NUT, {PP:80100015} M8, CI 8, M6
11	322357	2	WASHER, LOCK, {PP:80322357} Belleville, M6, Belleville, M6
12	80120099	2	SCREW, Hex, M6 x 16, 8.8, M6X15
3	120109	7	SCREW, {PP:80120109} Hex, M10 x 20, 8.8, Full Thd, M10X20

ONLY VALID UNTIL SERIAL NO. --05999

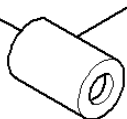




SPACER

1.11

13



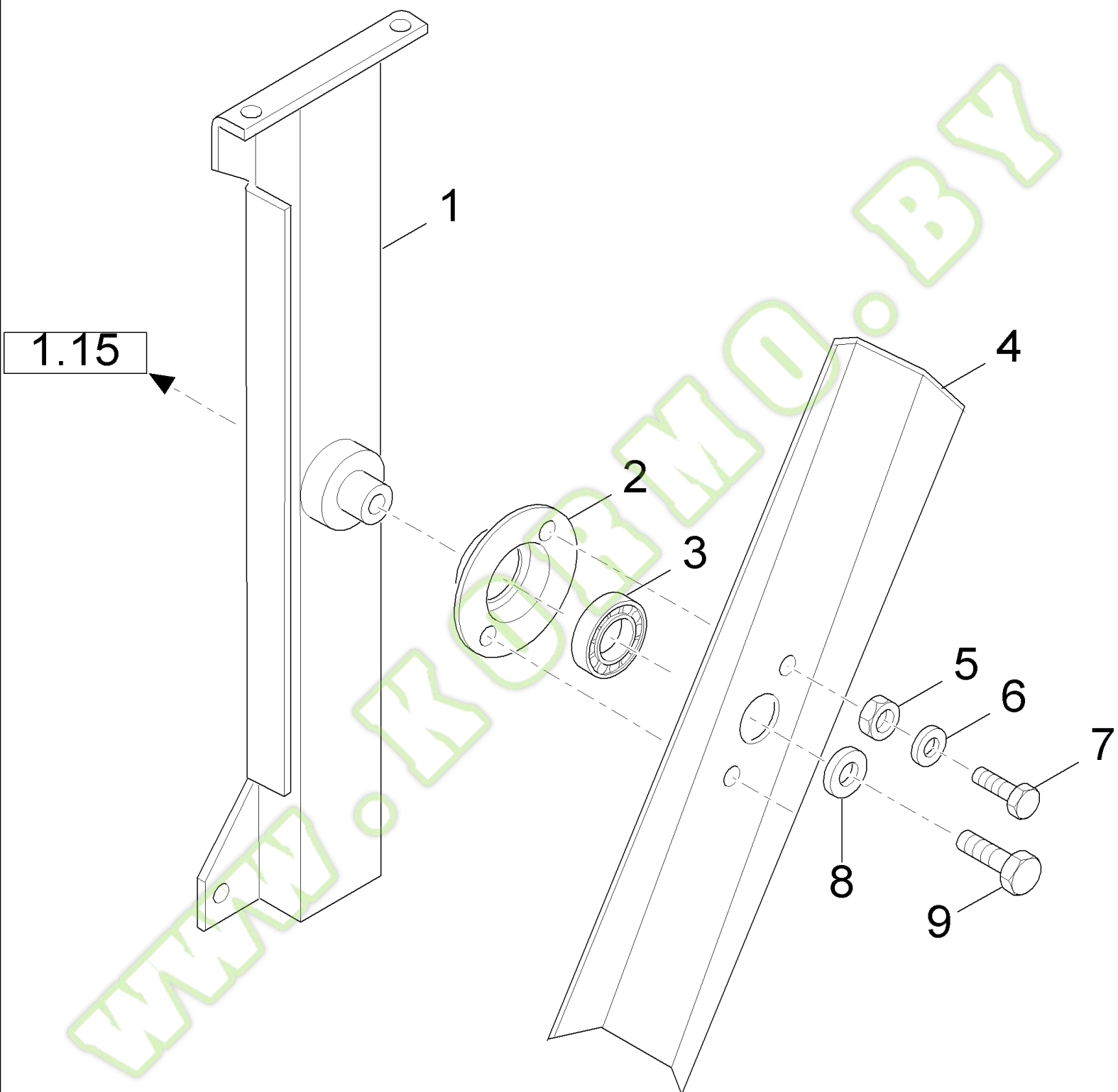
## FX375 NH SELF PROPELLED FORAGE HARVESTER - YELLOW VERSION

## 01.26(01) WIPER FOR INTERCOOLER

Ref	Part Number	Qty	Description
1	84031460	1	SUPPORT,
2	84017501	1	HOUSING,
3	362804	1	BEARING, BALL, {PP:80362804}
4	84031461	1	BLADE,
5	100016	3	NUT, {PP:80100016} M10, CI 8, M10
6	140045	5	WASHER, LOCK, {PP:80140045} Belleville, M10,
7	120113	4	BOLT, {PP:80120113} Hex, M10 x 50, 8.8, Full Thd, M10X50
8	9706755	2	NUT, {PP:89706755} M6, CI 8, M6
9	322357	2	WASHER, LOCK, {PP:80322357} Belleville, M6, Belleville, M6
10	80120099	2	SCREW, Hex, M6 x 16, 8.8, M6X16
11	378244	1	WASHER, LOCK, {PP:80378244}
13	89502115	2	BUSHING,
12	120109	1	SCREW, {PP:80120109} Hex, M10 x 20, 8.8, Full Thd, M10X20

ONLY VALID UNTIL SERIAL NO. --05999







## FX375 NH SELF PROPELLED FORAGE HARVESTER - YELLOW VERSION

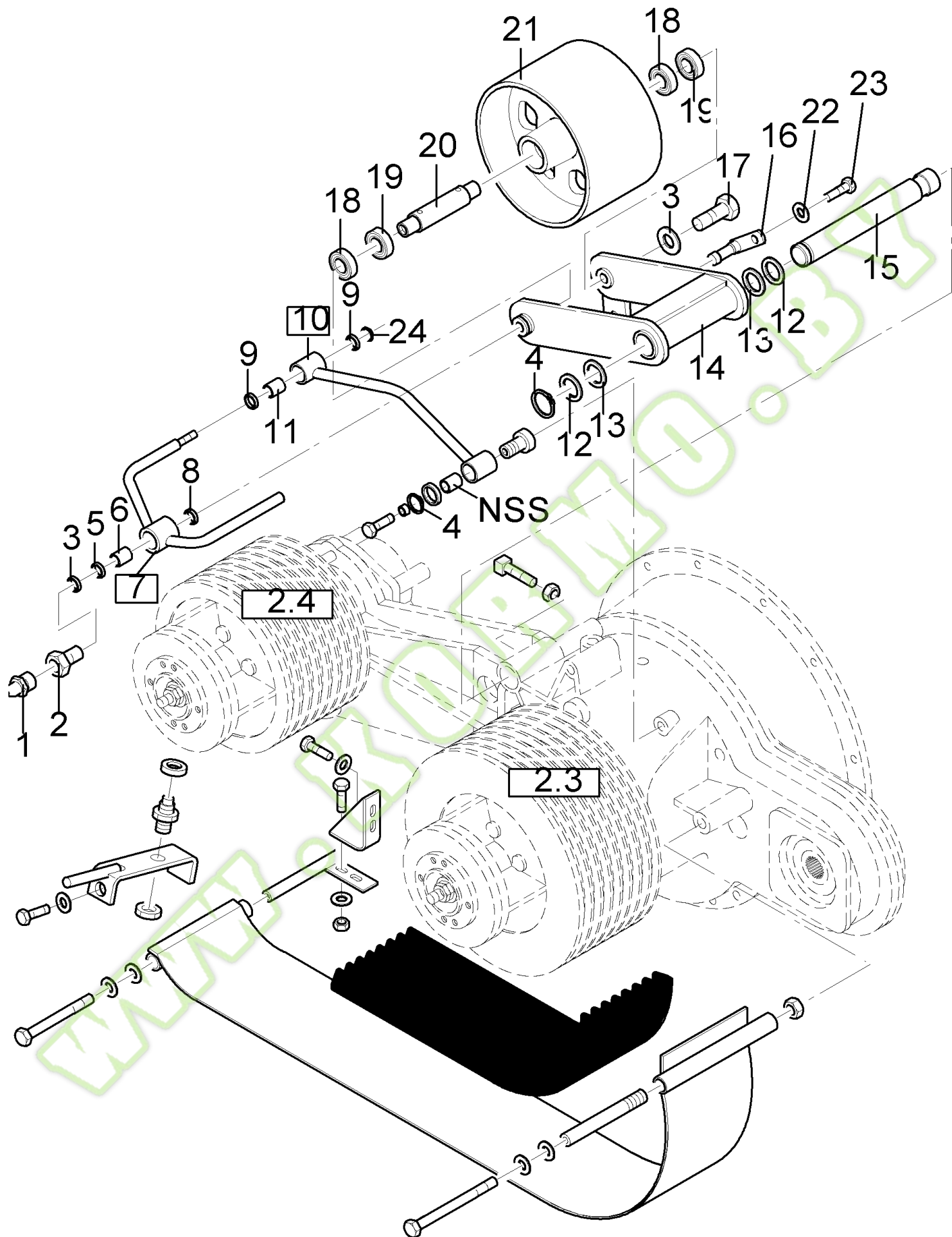
## 01.27(01) WIPER FOR RADIATOR

Ref	Part Number	Qty	Description
1	84031945	1	SUPPORT,
2	84017501	1	HOUSING,
3	362804	1	BEARING, BALL, {PP:80362804}
4	84031558	1	BLADE,
5	9706755	2	NUT, {PP:89706755} M6, CI 8, M6
6	322357	2	WASHER, LOCK, {PP:80322357} Belleville, M6, Belleville, M6
7	80120099	2	SCREW, Hex, M6 x 16, 8.8, M6X15
8	140045	1	WASHER, LOCK, {PP:80140045} Belleville, M10,
9	120109	1	SCREW, {PP:80120109} Hex, M10 x 20, 8.8, Full Thd, M10X20

WWW.KORMO.BY

ONLY VALID FROM SERIAL NO. --06001

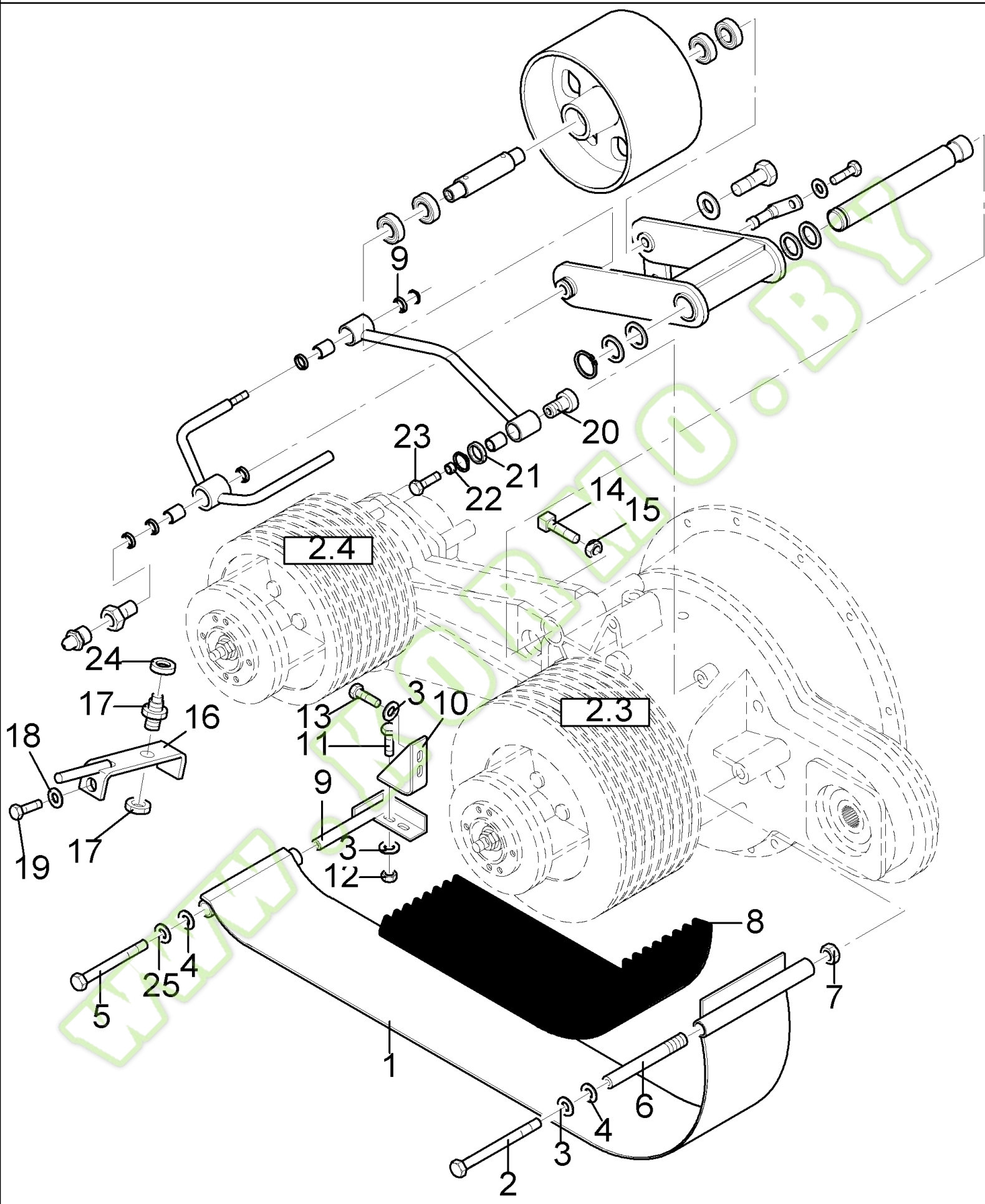




## FX375 NH SELF PROPELLED FORAGE HARVESTER - YELLOW VERSION

## 02.01(01) MAIN DRIVE

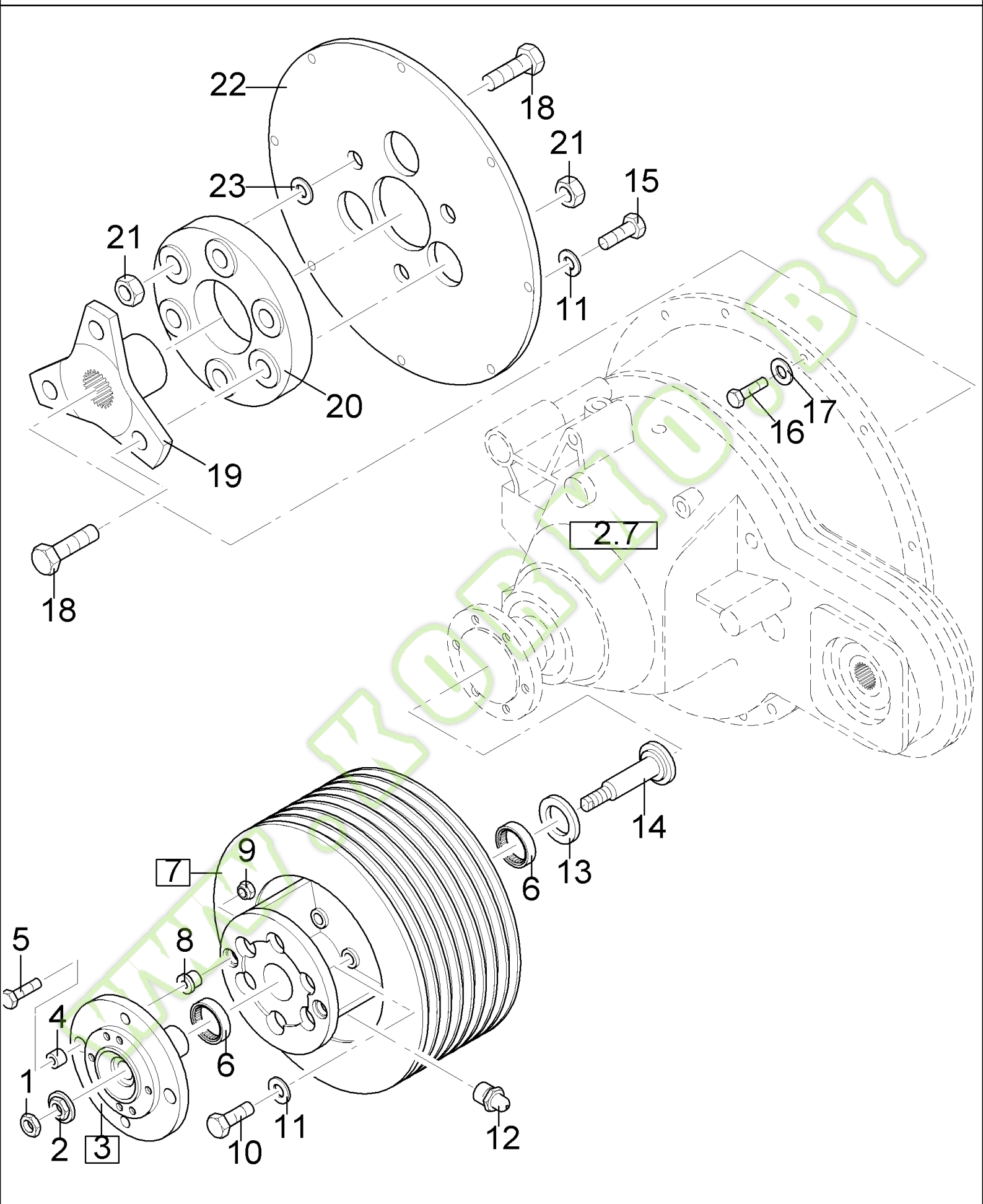
Ref	Part Number	Qty	Description
1	321204	1	NIPPLE, LUBE, {PP:80321204}
2	84022344	1	SCREW,
3	140046	2	WASHER, LOCK, {PP:80140046} Belleville, M12, 12MM
4	370003	2	CIRCLIP, {PP:80370003}
5	80395606	1	WASHER,
6	210022	1	SLEEVE, {PP:80210022}
7	84022341	1	GUIDE, (6)
8	748212	1	PLATE, ADJUSTING, {PP:80748212}
9	11158	2	WASHER, {PP:80011158}
10	84022331	1	ARM, (11,25)
11	84022259	1	SLEEVE,
12	441176	AR	WASHER, {PP:80441176}
13	140178	AR	WASHER, {PP:80140178}
14	84017654	1	ARM,
15	89516463	1	SHAFT,
16	84017725	1	ARM,
17	80337563	1	SCREW, M12X40
18	44680	2	BEARING ASSY, {PP:80044680}
19	412669	2	BEARING ASSY, {PP:80412669}
20	80750183	1	SHAFT,
21	80913566	1	PULLEY,
22	322358	1	WASHER, LOCK, {PP:80322358} Belleville, M8, 8MM
24	301615	1	RING, {PP:80301615}
23	16043224	1	SCREW, Hex, M8 x 16, 8.8, Full Thd, M8X16



## FX375 NH SELF PROPELLED FORAGE HARVESTER - YELLOW VERSION

## 02.02(01) MAIN DRIVE

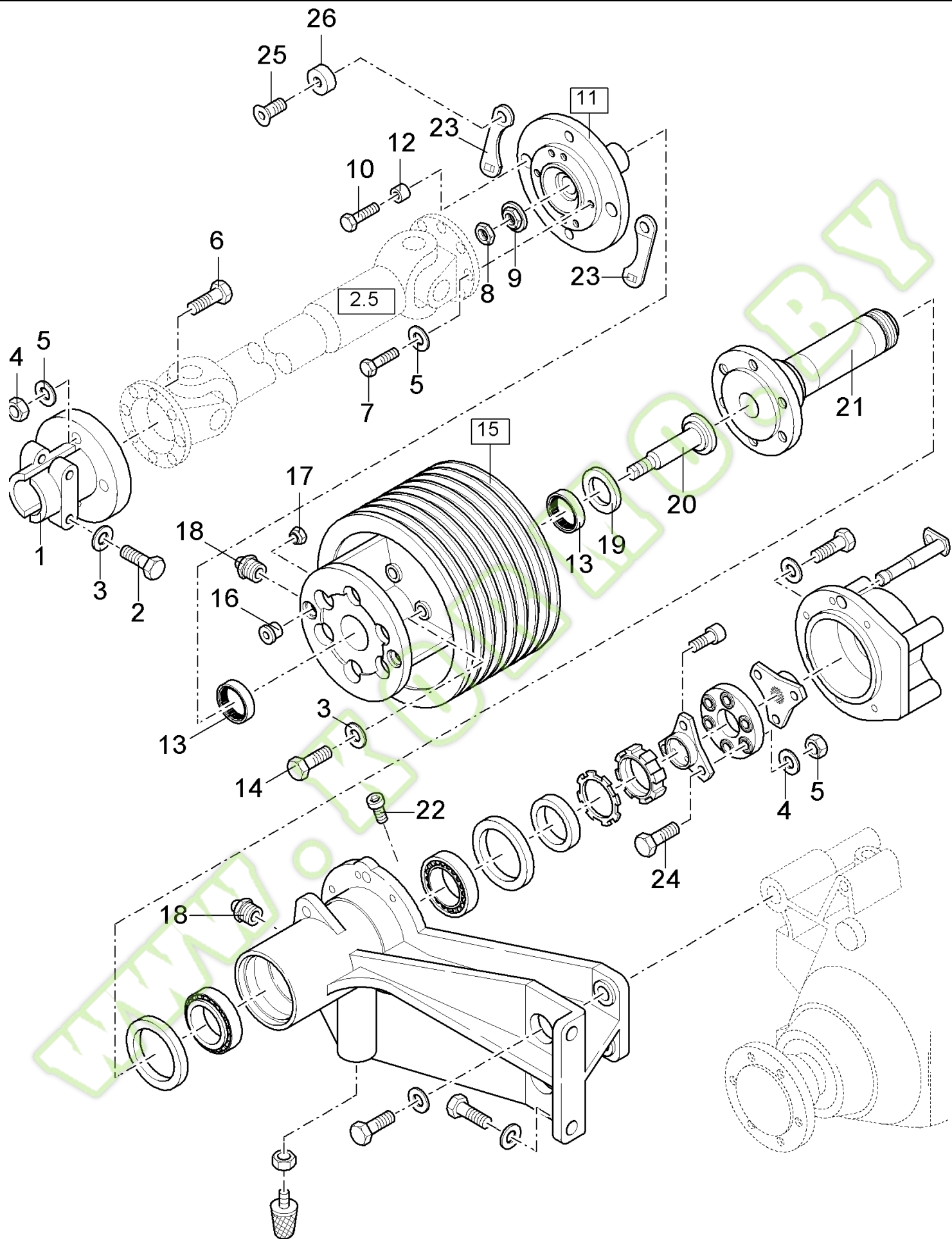
Ref	Part Number	Qty	Description
1	84017821	1	GUIDE, , -C5044
1	84053663	1	GUIDE, , D5045-
2	374887	1	SCREW, {PP:80374887} Hex, M12 x 100, 8.8, M12X100, D1300-
2	412215	1	SCREW, {PP:80412215} Hex, M8 x 100, 8.8, M8X100, -C0412
3	322358	2	WASHER, LOCK, {PP:80322358} Belleville, M8, 8MM
4	140041	2	WASHER, {PP:80140041} M8 x 28 x 3, 8MM, -C0412
4	80395606	2	WASHER, 12MM, D1300-
5	120062	1	SCREW, {PP:80120062} Hex, M8 x 70, 8.8, M8X70, -C0412
5	120083	1	SCREW, {PP:80120083} Hex, M12 x 70, 8.8, M12X70, D1300-
6	84017813	1	ROD, , -C0412
6	84022023	1	STUD, , D1300-
7	100020	1	NUT, {PP:80100020} M16, CI 8, M16, CI 8
8	84017742	1	BELTS, SET OF 2,
9	84017816	1	SUPPORT, M8, -C0412
9	84022065	1	SUPPORT, M12, -C1344
9	84053661	1	SUPPORT, M16, D5045-
10	84045905	1	BRACKET,
11	80120104	2	SCREW, M8X20
12	100015	2	NUT, {PP:80100015} M8, CI 8, M8
15	337475	1	NUT, {PP:80337475} M12, CI 10, M12
16	84017980	1	BRACKET, , -C0409
16	84039372	1	SUPPORT, , -C0912
16	84043850	1	SUPPORT, , D1300-
17	84036824	1	SENSOR, , -C0608
17	84036824	1	SENSOR, , D1300-
17	84036825	1	SENSOR, , -C0405
17	84036825	1	SENSOR, , -C0912
18	140045	4	WASHER, LOCK, {PP:80140045} Belleville, M10, 10MM
19	120201	2	SCREW, {PP:80120201} Hex, M10 x 35, 8.8, Full Thd, M10X35
20	84022343	1	RING,
21	748212	1	PLATE, ADJUSTING, {PP:80748212}
22	140046	1	WASHER, LOCK, {PP:80140046} Belleville, M12,
23	84022173	1	SCREW, Hex Soc Hd, M8 x 35, 8.8, M12X30
24	84031769	1	WASHER, , -C0409
24	84043324	1	WASHER, , D1000-
25	322358	2	WASHER, LOCK, {PP:80322358} Belleville, M8, 8MM, -C0412
25	140046	2	WASHER, LOCK, {PP:80140046} Belleville, M12, 12MM, D1300-
14	9706687	1	SCREW, {PP:89706687} Hex, M12 x 30, 8.8, M12X30
13	16043224	2	SCREW, Hex, M8 x 16, 8.8, Full Thd, M8X16



## FX375 NH SELF PROPELLED FORAGE HARVESTER - YELLOW VERSION

## 02.03(01) MAIN DRIVE

Ref	Part Number	Qty	Description
1	364164	1	NUT, {PP:80364164} Thin, M16 x 1.5, CI 04, M16
2	84014953	1	NUT,
3	84012445	1	FLANGE, (4)
4	89516387	1	SLEEVE,
5	80536887	1	SCREW, M6X40
6	84015464	2	BEARING ASSY,
7	84043362	1	PULLEY, (6,8)
8	84004370	1	SLEEVE,
9	9706755	1	NUT, {PP:89706755} M6, CI 8, M6
10	80337563	6	SCREW, M12X40
11	140046	14	WASHER, LOCK, {PP:80140046} Belleville, M12, 12MM
12	321204	1	NIPPLE, LUBE, {PP:80321204}
13	140061	1	WASHER, {PP:80140061}
14	84012444	1	SHAFT,
15	84021571	8	BOLT, Hex, M12 x 1.25 x 30, 8.8, Full Thd,
16	412460	12	BOLT, {PP:80412460} Short NK, M20 x 120, CI8.8, M10X30
17	140045	12	WASHER, LOCK, {PP:80140045} Belleville, M10, 10MM
18	89833397	6	SCREW, M22X75
19	89514951	1	HUB,
20	89833162	1	COUPLING, QUICK, FEMALE, , FOR FX300/9630 ONLY
20	84023585	1	COUPLING, QUICK, FEMALE, , FOR FX375-450/9640-9645 ONLY
21	89833396	6	NUT, M22
22	89516488	1	PLATE, COVER, , FOR FX300/9630 ONLY
22	84023586	1	PLATE, , FOR FX375-450/9640-9645 ONLY
23	84023555	3	RING, 22MM

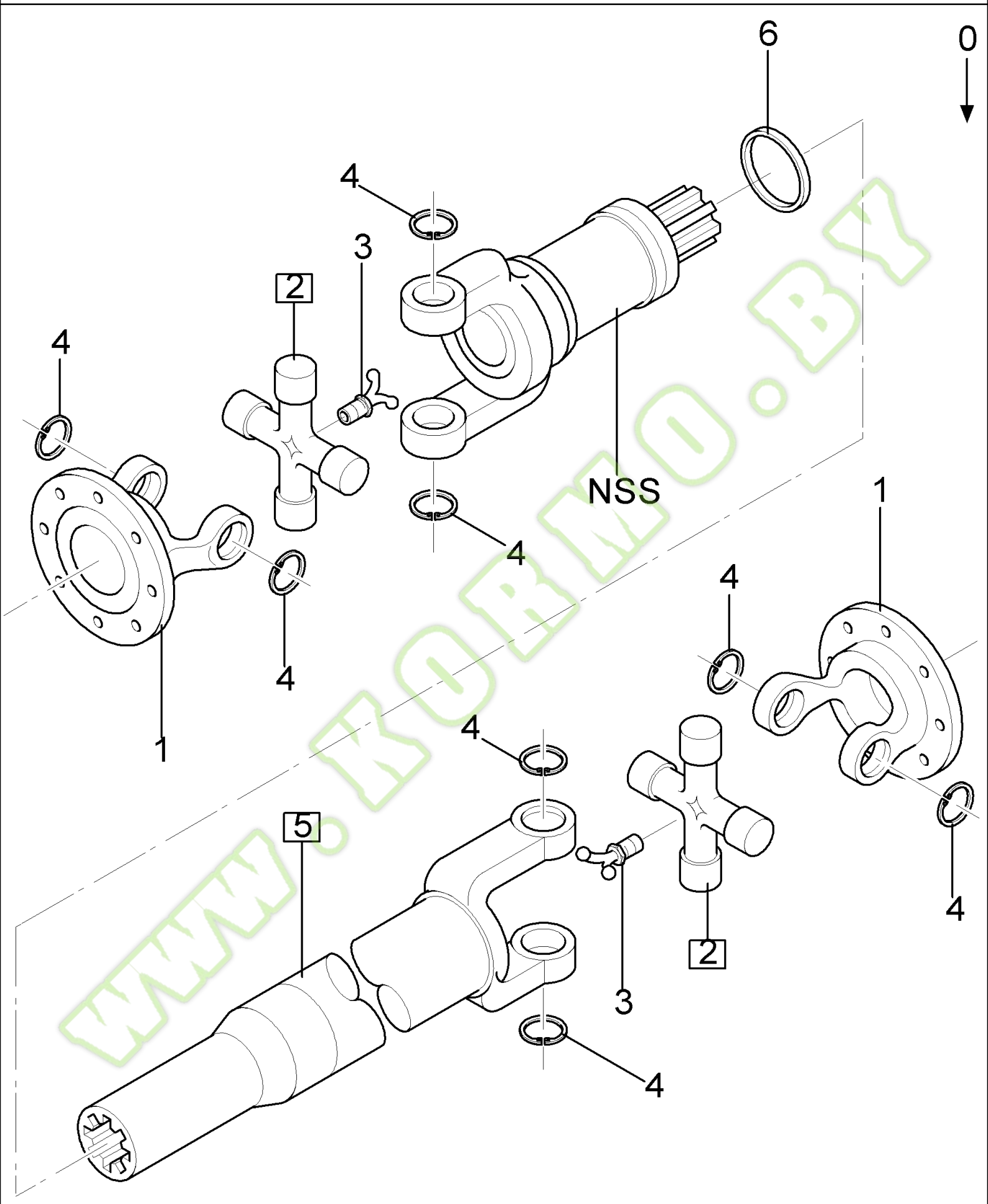




## FX375 NH SELF PROPELLED FORAGE HARVESTER - YELLOW VERSION

## 02.04(01) MAIN DRIVE

Ref	Part Number	Qty	Description
1	89850296	1	FLANGE,
2	120083	2	SCREW, {PP:80120083} Hex, M12 x 70, 8.8, M12X70
3	140046	8	WASHER, LOCK, {PP:80140046} Belleville, M12, 12MM
4	100016	4	NUT, {PP:80100016} M10, CI 8, M10
5	140045	8	WASHER, LOCK, {PP:80140045} Belleville, M10, 10MM
6	325829	4	SCREW, {PP:80325829} Hex, M10 x 45, 8.8, M10X45
8	364164	1	NUT, {PP:80364164} Thin, M16 x 1.5, CI 04, M16
9	84014953	1	NUT,
10	80536887	2	SCREW, SHEAR
11	84012445	1	FLANGE, (12)
12	89516387	2	SLEEVE,
13	84015464	2	BEARING ASSY,
14	80337563	12	SCREW, M12X40
15	84043361	1	PULLEY, (13,16)
16	84004370	1	SLEEVE,
17	9706755	2	NUT, {PP:89706755} M6, CI 8, M6
18	321204	2	NIPPLE, LUBE, {PP:80321204}
19	140061	1	WASHER, {PP:80140061}
20	84012444	1	SHAFT,
21	89811518	1	SHAFT,
22	46566	1	BREATHER, {PP:80046566} , D0600-
23	84043315	2	CLIP, SPRING, , D1300-
24	9706704	6	BOLT, {PP:89706704} Hex, M10 x 35, 8.8, Full Thd, M10X35
25	80320772	2	SCREW,
26	84043324	2	WASHER,
7	120109	4	SCREW, {PP:80120109} Hex, M10 x 20, 8.8, Full Thd, M10X20

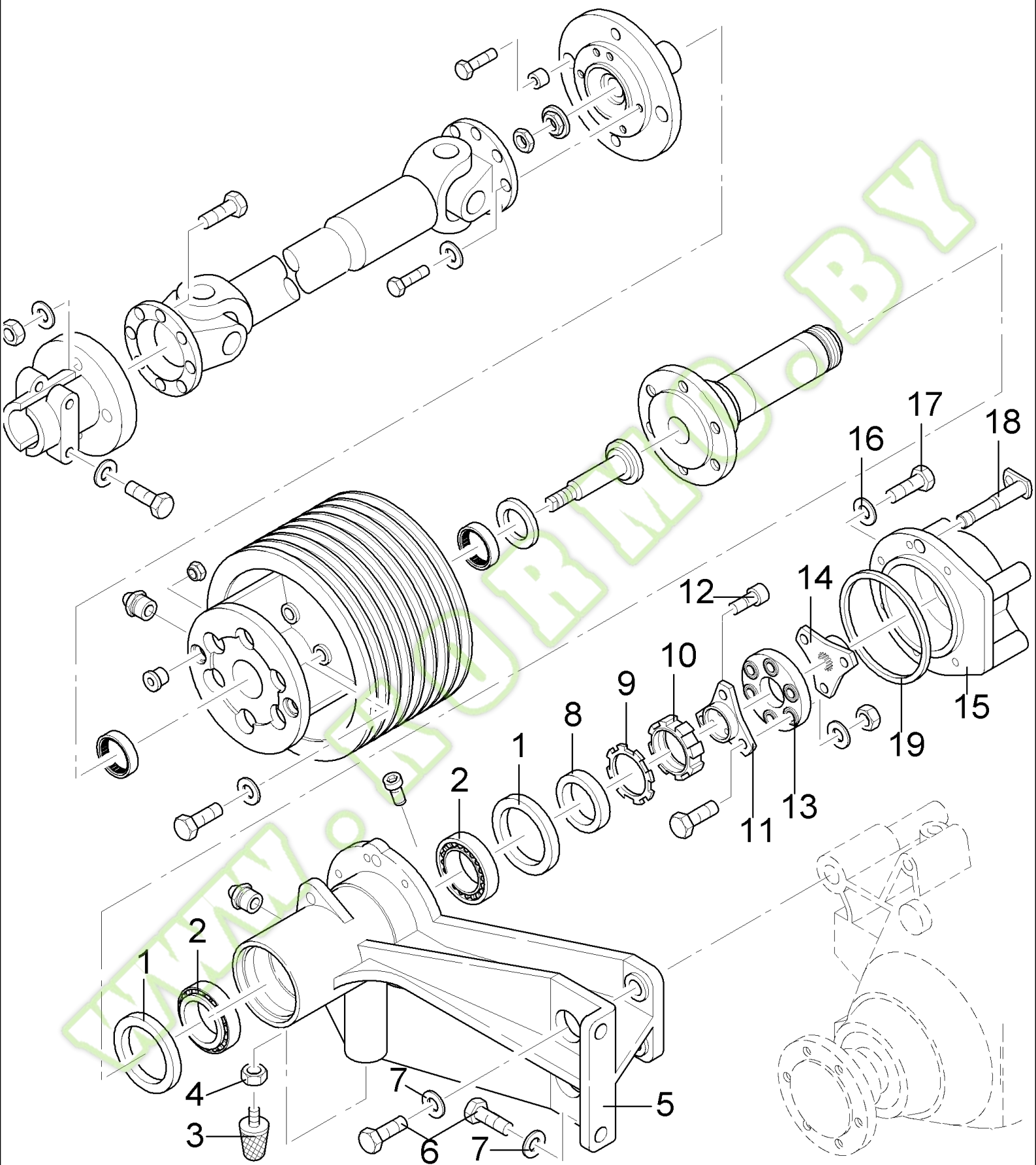


## FX375 NH SELF PROPELLED FORAGE HARVESTER - YELLOW VERSION

## 02.05(01) POWER TAKE-OFF

Ref	Part Number	Qty	Description
0	89850690	1	SHAFT, PTO, (1 TO 6)
1	84031229	2	YOKE,
2	84031230	2	SPIDER, (3,4)
3	84039155	2	NIPPLE, LUBE,
4	84031231	8	CIRCLIP,
5	84031232	1	SHAFT, (NSS)
6	84045266	1	ELEMENT, SEALING,

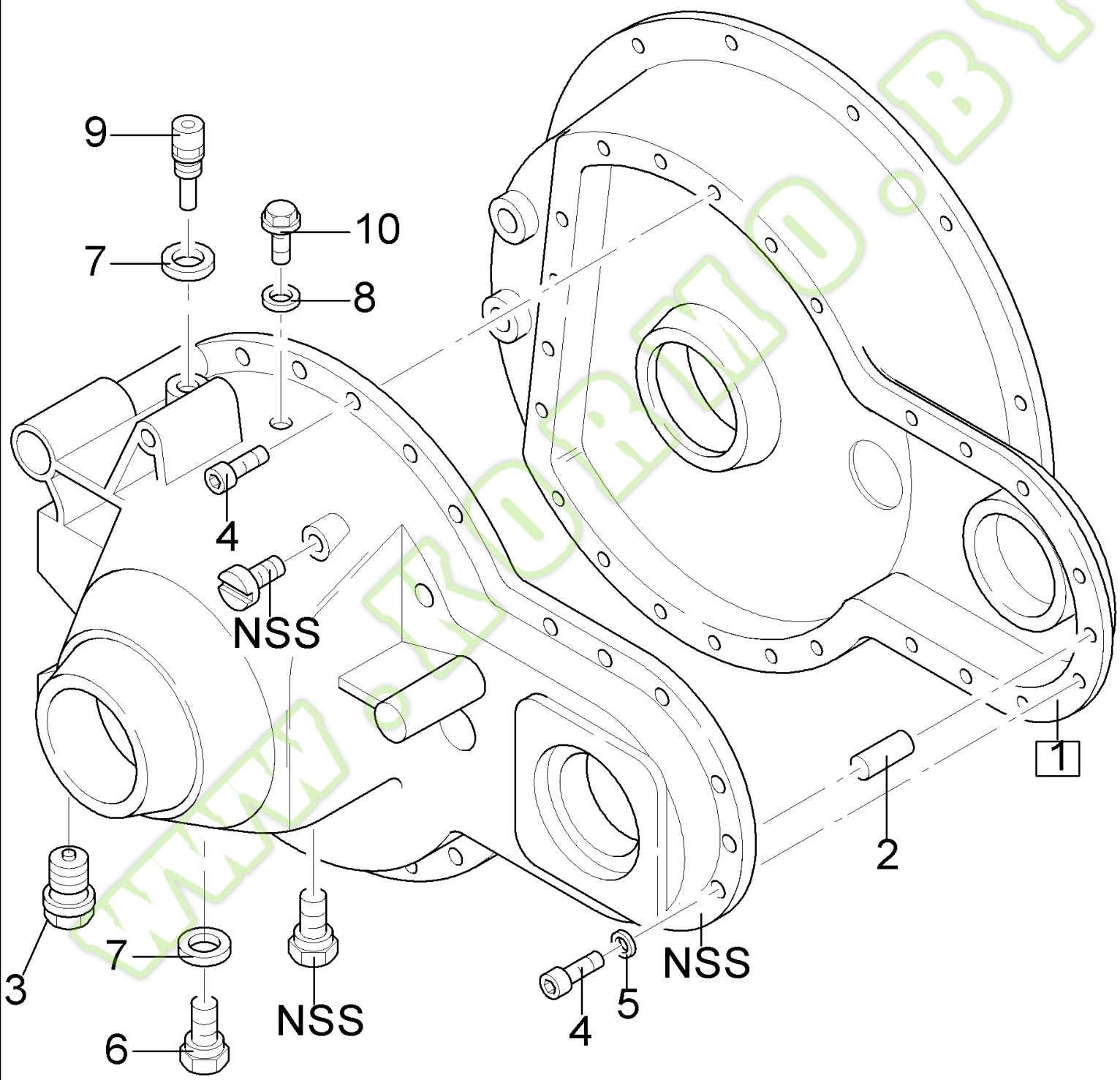
WWW.KORMO.BY



## FX375 NH SELF PROPELLED FORAGE HARVESTER - YELLOW VERSION

## 02.06(01) MAIN DRIVE

Ref	Part Number	Qty	Description
1	220021	2	RING, {PP:80220021}
2	80454506	2	BEARING ASSY, , -C5060
2	699613	2	BEARING ASSY, {PP:80699613} , D5061-
3	9839261	1	STOP, {PP:89839261} , -C0404
4	100015	1	NUT, {PP:80100015} M8, CI 8, M8, -C0404
5	89516483	1	HOUSING, BEARING,
6	120089	4	BOLT, {PP:80120089} Hex, M16 x 40, 8.8, Hex, M16 x 40, 8.8
7	140048	4	WASHER, LOCK, {PP:80140048} Belleville, M16, 16MM
8	89811516	1	SPACER,
9	382867	1	WASHER, LOCK, {PP:80382867}
10	9513020	1	NUT, {PP:89513020} M50X1.5
11	89811515	1	FLANGE,
12	412697	3	SCREW, {PP:80412697} Hex Soc Hd, M8 x 12, 8.8,
13	9811514	1	JOINT, UNIVERSAL, {PP:89811514}
14	89811517	1	FLANGE,
15	89811520	1	HOUSING, BEARING,
16	322358	6	WASHER, LOCK, {PP:80322358} Belleville, M8, 8MM
17	43128	6	SCREW, {PP:80043128} Hex, M8 x 30, 8.8, Cap, HH, CL 8.8, M8 x 1.25 x 30
18	84017728	1	PIN, ROLL,
19	84026074	1	RING, , D0600-

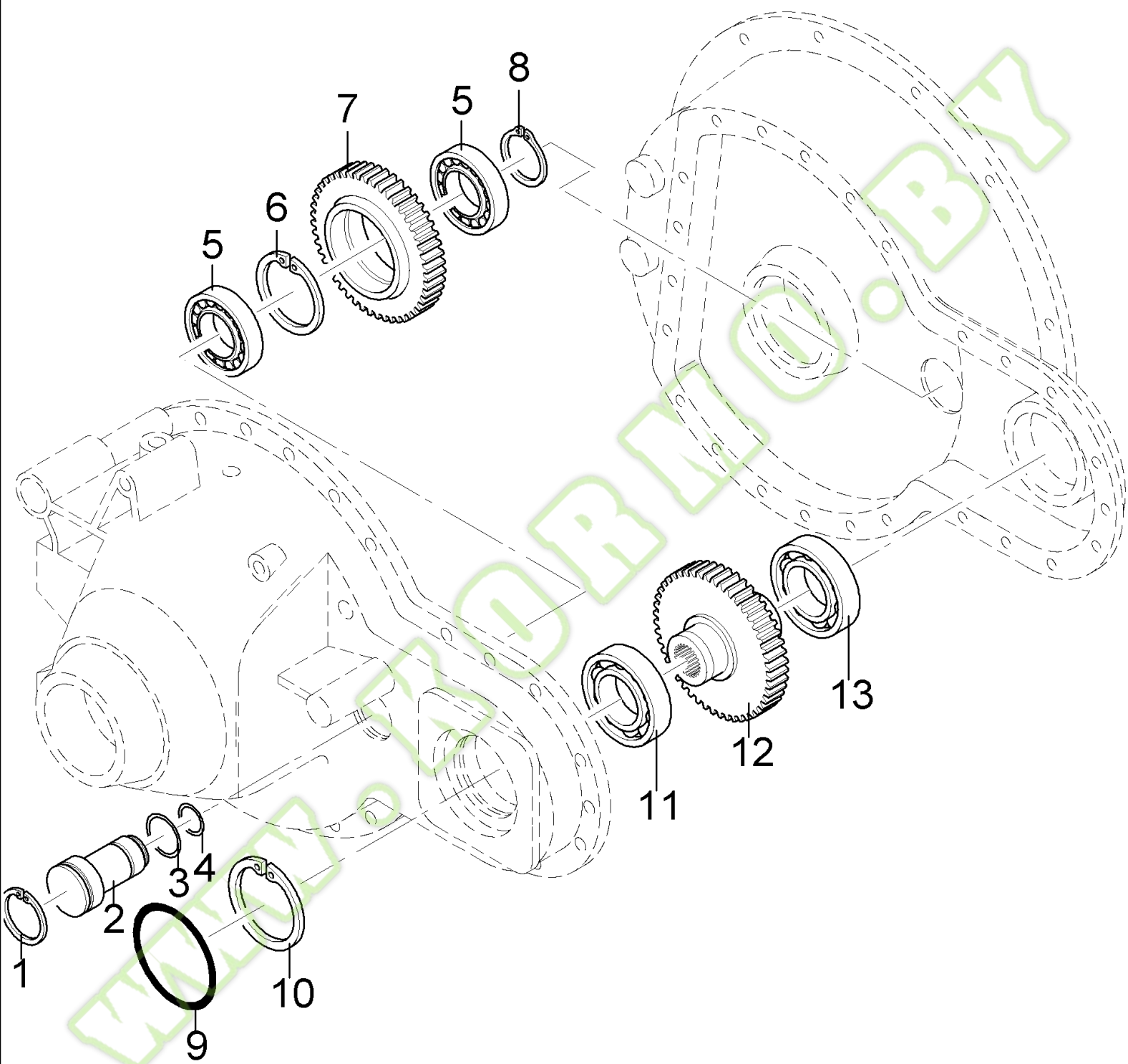


## FX375 NH SELF PROPELLED FORAGE HARVESTER - YELLOW VERSION

## 02.07(01) MAIN DRIVE: GEARBOX

Ref	Part Number	Qty	Description
0	89514958	1	GEARBOX, , INCL. GROUPS 2.7 TO 2.10
1	84021926	1	HOUSING, (2,4,5)
2	84021961	2	PIN, ROLL,
3	322062500	1	PLUG, MAGNETIC
4	120228	24	SCREW, {PP:80120228} Hex Soc Hd, M8 x 20, 8.8, M8X20
5	322358	AR	WASHER, LOCK, {PP:80322358} Belleville, M8, 8MM
6	84021927	1	PLUG,
7	84021928	1	RING,
8	220104	1	RING, {PP:80220104}
9	84021931	1	BREATHER,
10	84021932	1	CONNECTOR, HYD.,

WWW.KORMO.BY



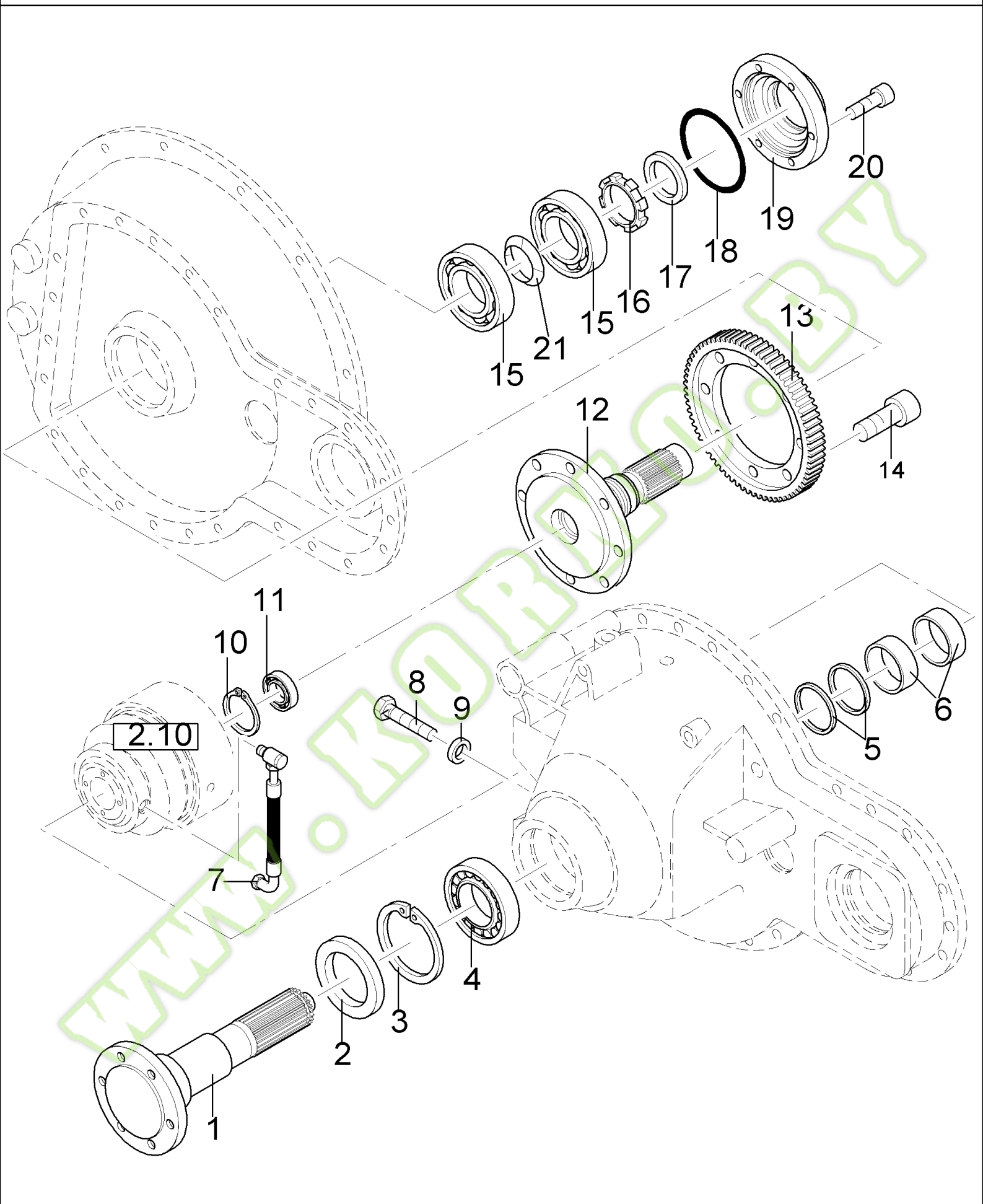


## FX375 NH SELF PROPELLED FORAGE HARVESTER - YELLOW VERSION

## 02.08(01) MAIN DRIVE: GEARBOX

Ref	Part Number	Qty	Description
1	84021958	1	CIRCLIP,
2	84021954	1	SPINDLE,
3	84021956	1	O-RING,
4	84021955	1	O-RING,
5	84021953	2	BEARING ASSY,
6	370013	1	RING, SNAP, {PP:80370013}
7	84021952	1	GEAR,
8	84021957	1	CIRCLIP,
9	9673006	1	O-RING, {PP:89673006}
10	370026	1	CIRCLIP, {PP:80370026}
11	378724	1	BEARING ASSY, {PP:80378724}
12	84021950	1	GEAR,
13	327910	1	BEARING ASSY, {PP:80327910}

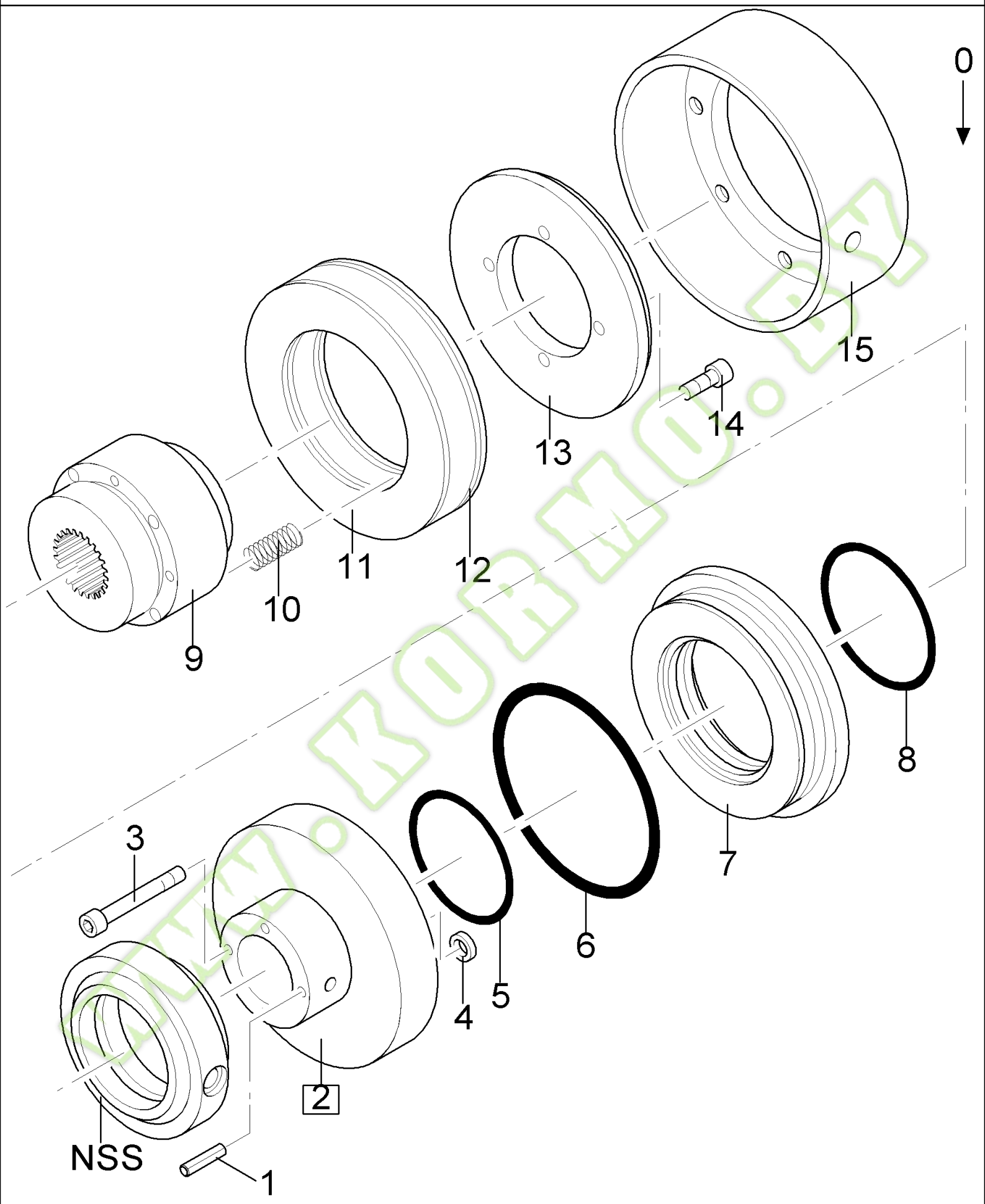
WWW.KORMO.BY



## FX375 NH SELF PROPELLED FORAGE HARVESTER - YELLOW VERSION

## 02.09(01) MAIN DRIVE: GEARBOX

Ref	Part Number	Qty	Description
1	84021944	1	SHAFT, CONTROL,
2	84021949	1	RING,
3	301652	1	RING, SNAP, {PP:80301652}
4	84021946	1	BEARING ASSY,
5	84021948	AR	SHIM,
6	84021947	2	BUSHING,
7	84032386	1	HOSE, FLEXIBLE,
8	86977775	1	SCREW, Hex, M10 x 60, 8.8, Full Thd,
9	84021930	1	RING,
10	370008	1	CIRCLIP, {PP:80370008}
11	84021945	1	BEARING ASSY,
12	84021934	1	SHAFT, CONTROL,
13	84021935	1	GEAR,
14	84021936	8	SCREW,
15	84021937	2	BEARING ASSY,
16	84021938	1	NUT, M60X2
17	84021941	1	RING, OIL SCRAPER,
18	84021940	1	O-RING,
19	84021939	1	COVER,
20	120163	6	SCREW, {PP:80120163} Hex Soc Hd, M8 x 25, 8.8, M8X25
21	84023741	1	WASHER, LOCK,

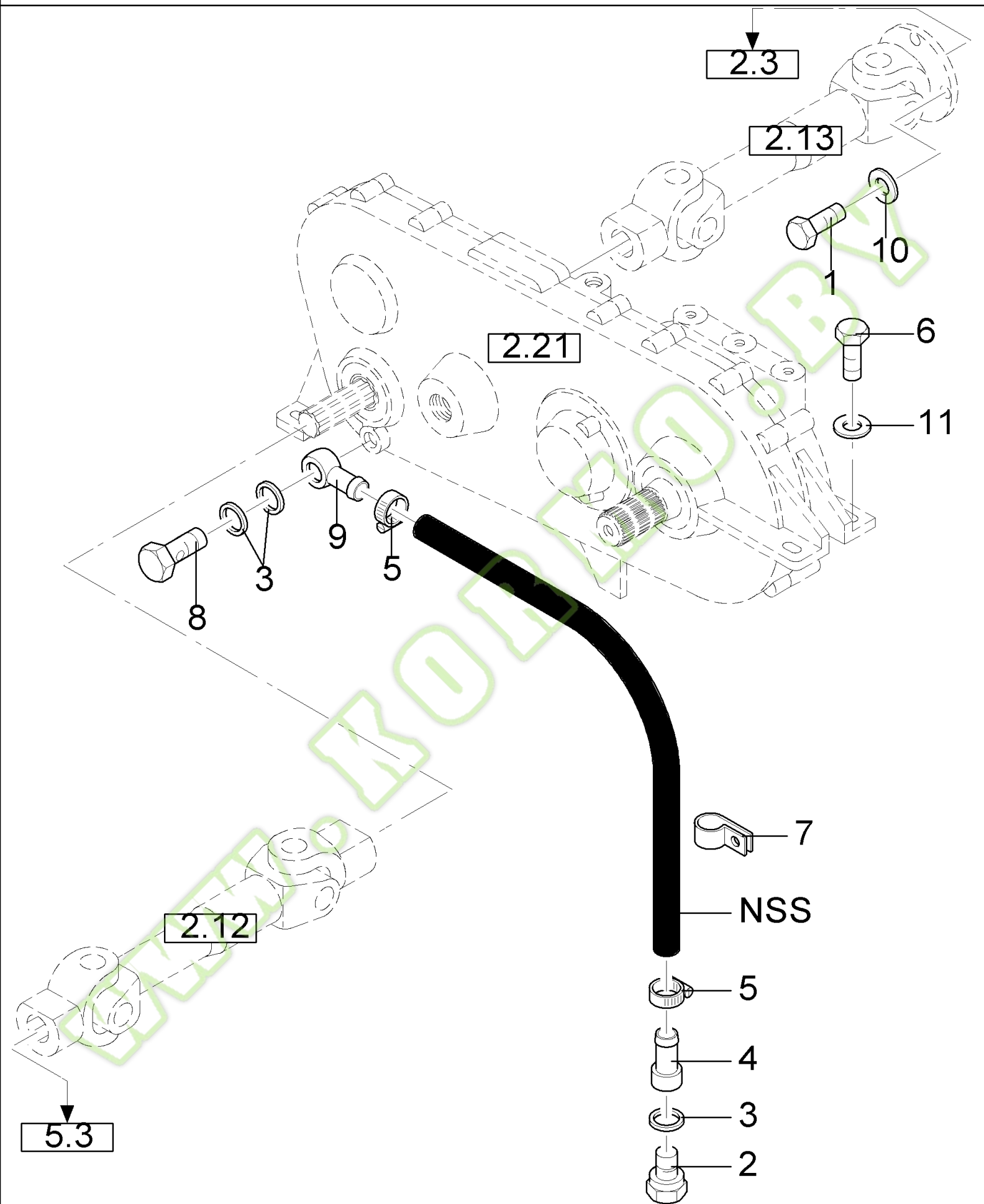


## FX375 NH SELF PROPELLED FORAGE HARVESTER - YELLOW VERSION

## 02.10(01) CLUTCH

Ref	Part Number	Qty	Description
0	84021942	1	CLUTCH, (1 TO 15)
1	412688	2	PIN, {PP:80412688} M6 x 60, Slotted,
2	84032819	1	HOUSING, (NSS)
3	84023120	11	SCREW, M6X55
4	84023121	1	O-RING,
5	84023122	1	O-RING,
6	84023123	1	O-RING,
7	84023124	1	PLATE, CLUTCH, DRIVING,
8	84023144	1	O-RING,
9	84023143	1	HUB,
10	84023141	16	SPRING,
11	84023140	10	CLUTCH, PRESSURE PLATE,
12	84023730	9	CLUTCH, PRESSURE PLATE,
13	84023731	1	PLATE, CLUTCH, DRIVING,
14	84026103	12	SCREW, M6X16
15	84026104	1	HOUSING,

WWW.KORMO.BY

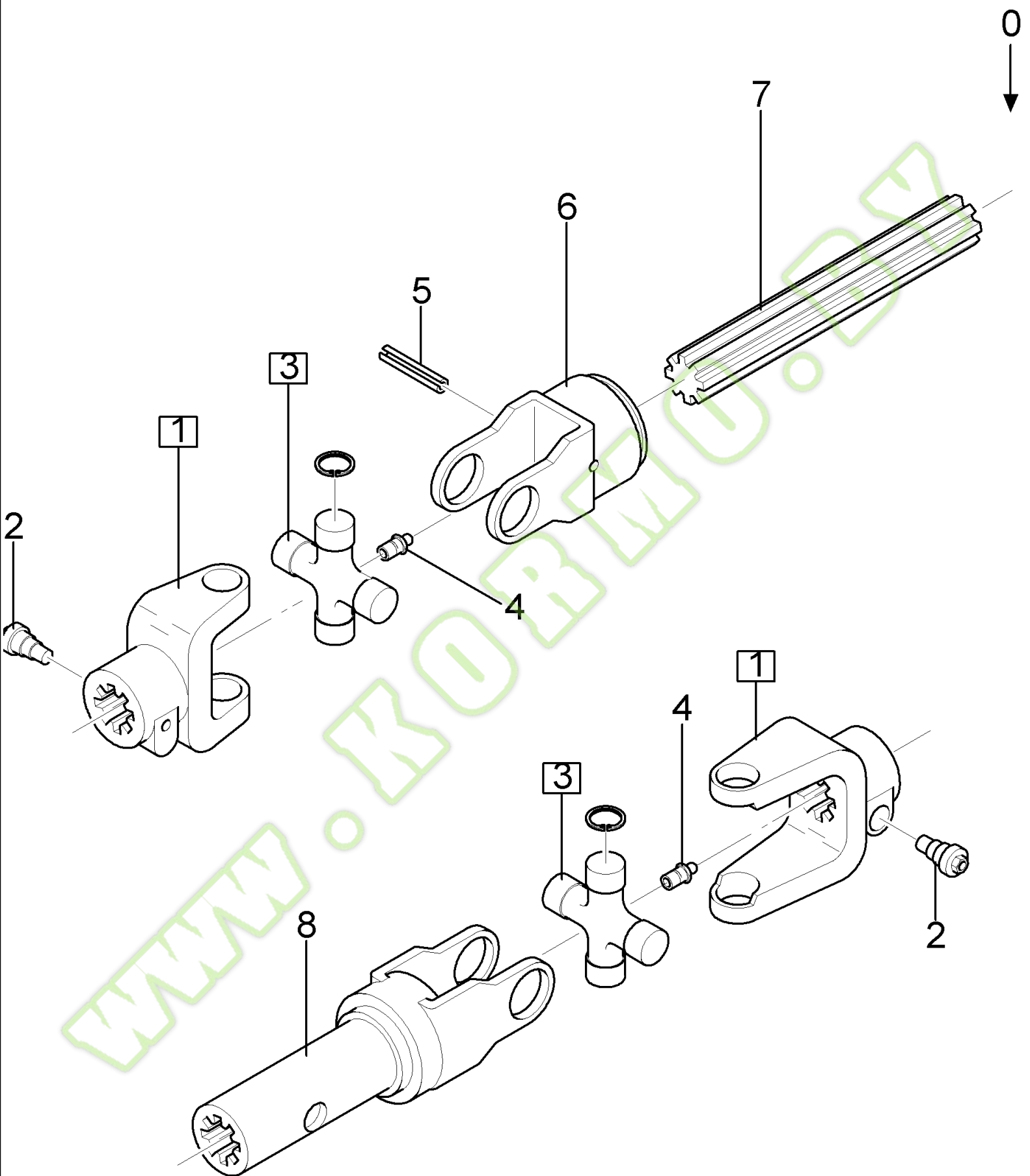


## FX375 NH SELF PROPELLED FORAGE HARVESTER - YELLOW VERSION

## 02.11(01) MAIN DRIVE

Ref	Part Number	Qty	Description
1	43140	4	BOLT, {PP:80043140} Hex, M10 x 30, 8.8, M10X30
2	150060	1	PLUG, {PP:80150060}
3	220122	3	GASKET, {PP:80220122}
4	80326079	1	CONNECTOR, HYD.,
5	326082	2	CLAMP, {PP:80326082}
6	80337563	4	SCREW, M12X40
7	619284	1	CLAMP, {PP:80619284}
8	120258	1	SCREW, HOLLOW, {PP:80120258}
9	80326078	1	CONNECTOR, HYD.,
10	140045	4	WASHER, LOCK, {PP:80140045} Belleville, M10, 10MM
11	140046	4	WASHER, LOCK, {PP:80140046} Belleville, M12, 12MM

WWW.KORMO.BY



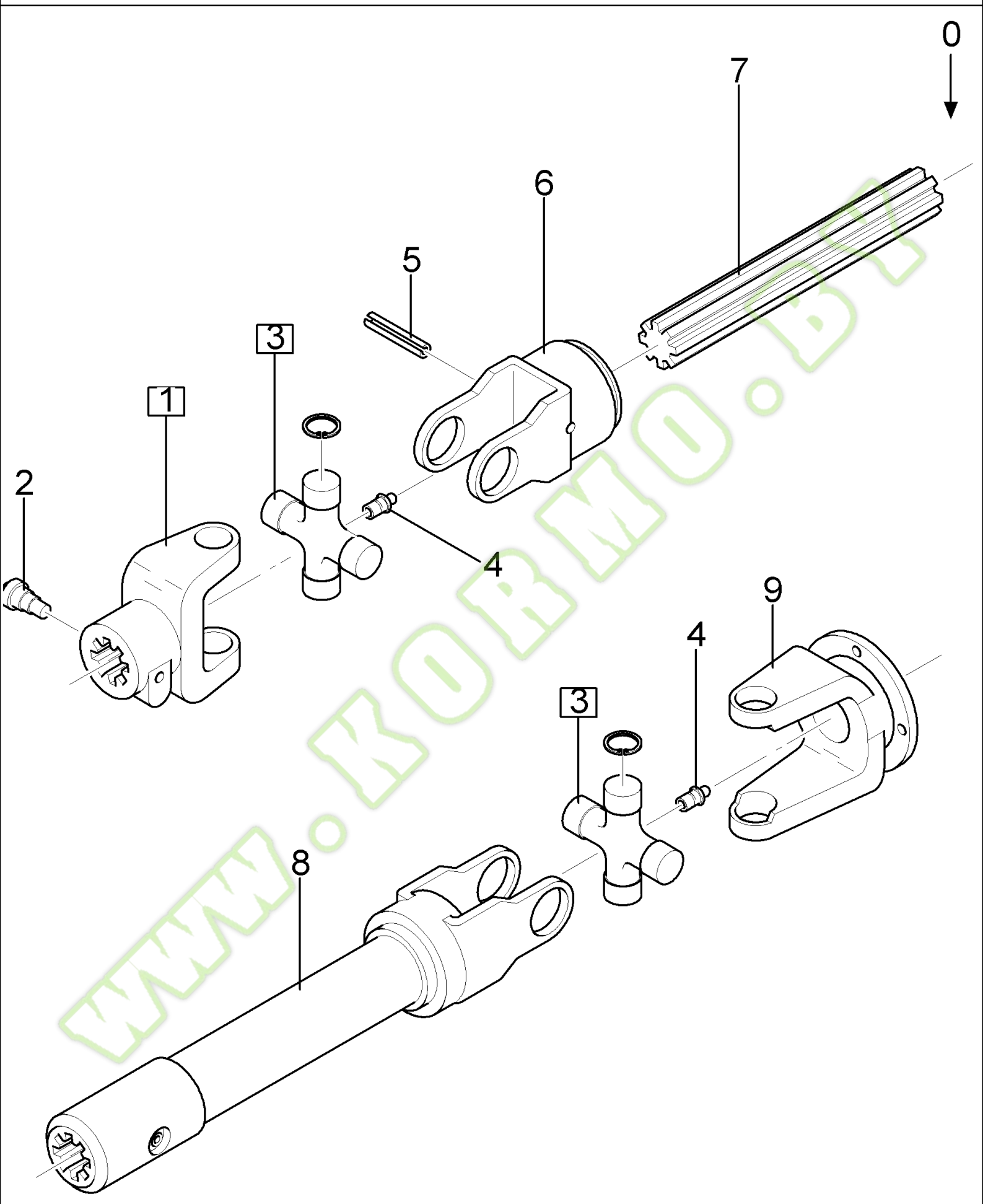


## FX375 NH SELF PROPELLED FORAGE HARVESTER - YELLOW VERSION

## 02.12(01) POWER TAKE-OFF

Ref	Part Number	Qty	Description
0	84031180	1	SHAFT, PTO, (1 TO 7)
0	84031181	1	SHAFT, PTO, (1,3,8)
0	84031182	1	YOKE, (5 TO 7)
0	89833474	1	SHAFT, PTO, (1 TO 8)
1	84031171	2	YOKE, (2)
2	84031172	2	PIN, LOCK,
3	84031174	2	SPIDER, (4)
4	150024	2	NIPPLE, LUBE, {PP:80150024}
5	440437	1	PIN, ROLL, {PP:80440437} M10 x 80 Slotted,
6	84031176	1	YOKE,
7	84031183	1	SPINDLE,
8	84031184	1	YOKE,

WWW.KORMO.BY

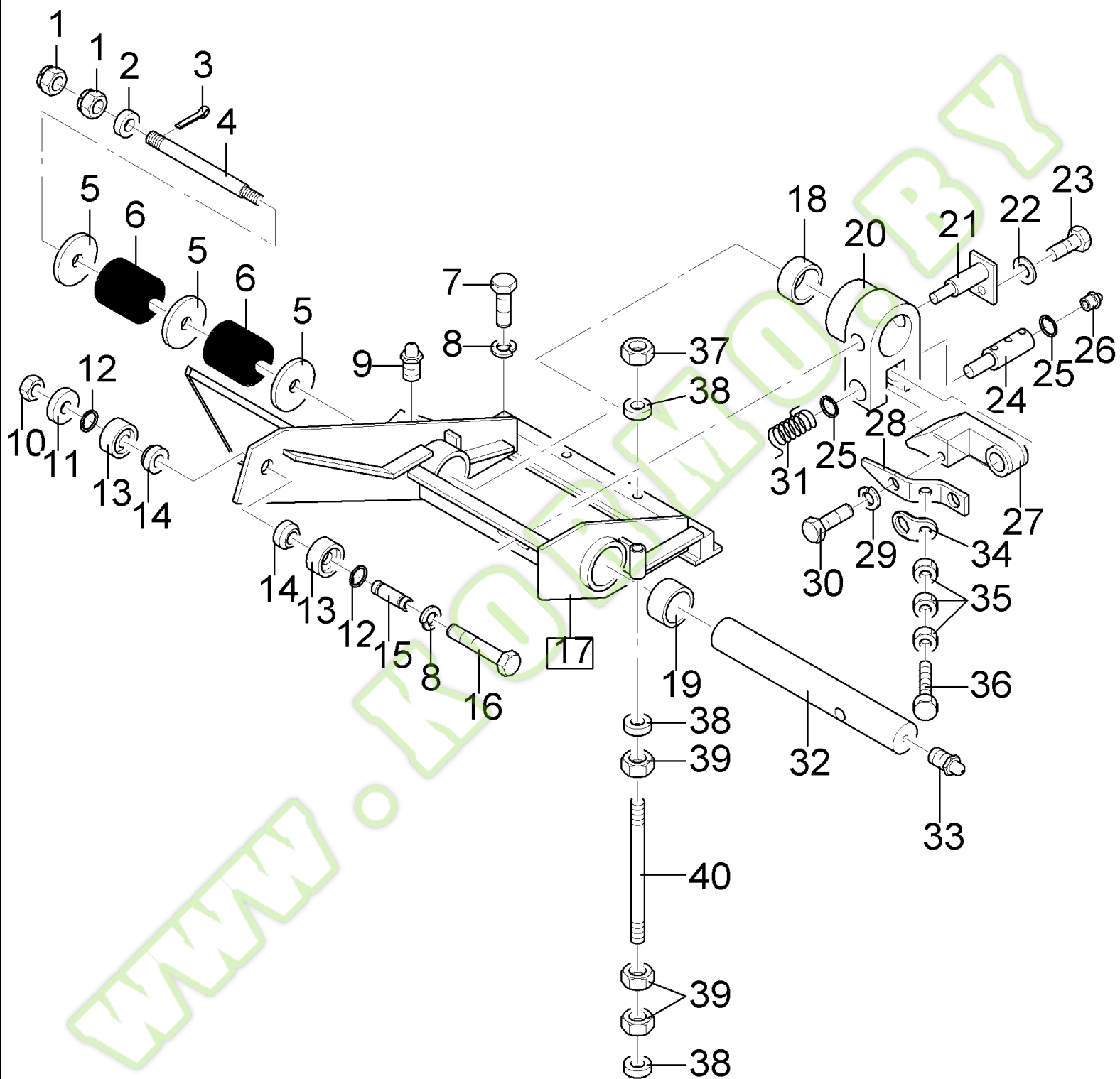


## FX375 NH SELF PROPELLED FORAGE HARVESTER - YELLOW VERSION

## 02.13(01) POWER TAKE-OFF

Ref	Part Number	Qty	Description
0	84031169	1	SHAFT, PTO, (1 TO 7)
0	84031170	1	SHAFT, PTO, (3,8,9)
0	84031175	1	YOKE, (5 TO 7)
0	89833476	1	SHAFT, PTO, (1 TO 9)
1	84031171	1	YOKE, (2)
2	84031172	1	PIN, LOCK,
3	84031174	2	SPIDER, (4)
4	150024	2	NIPPLE, LUBE, {PP:80150024}
5	440437	1	PIN, ROLL, {PP:80440437} M10 x 80 Slotted,
6	84031176	1	YOKE,
7	84031177	1	SHAFT,
8	84031178	1	YOKE,
9	84031173	1	YOKE,

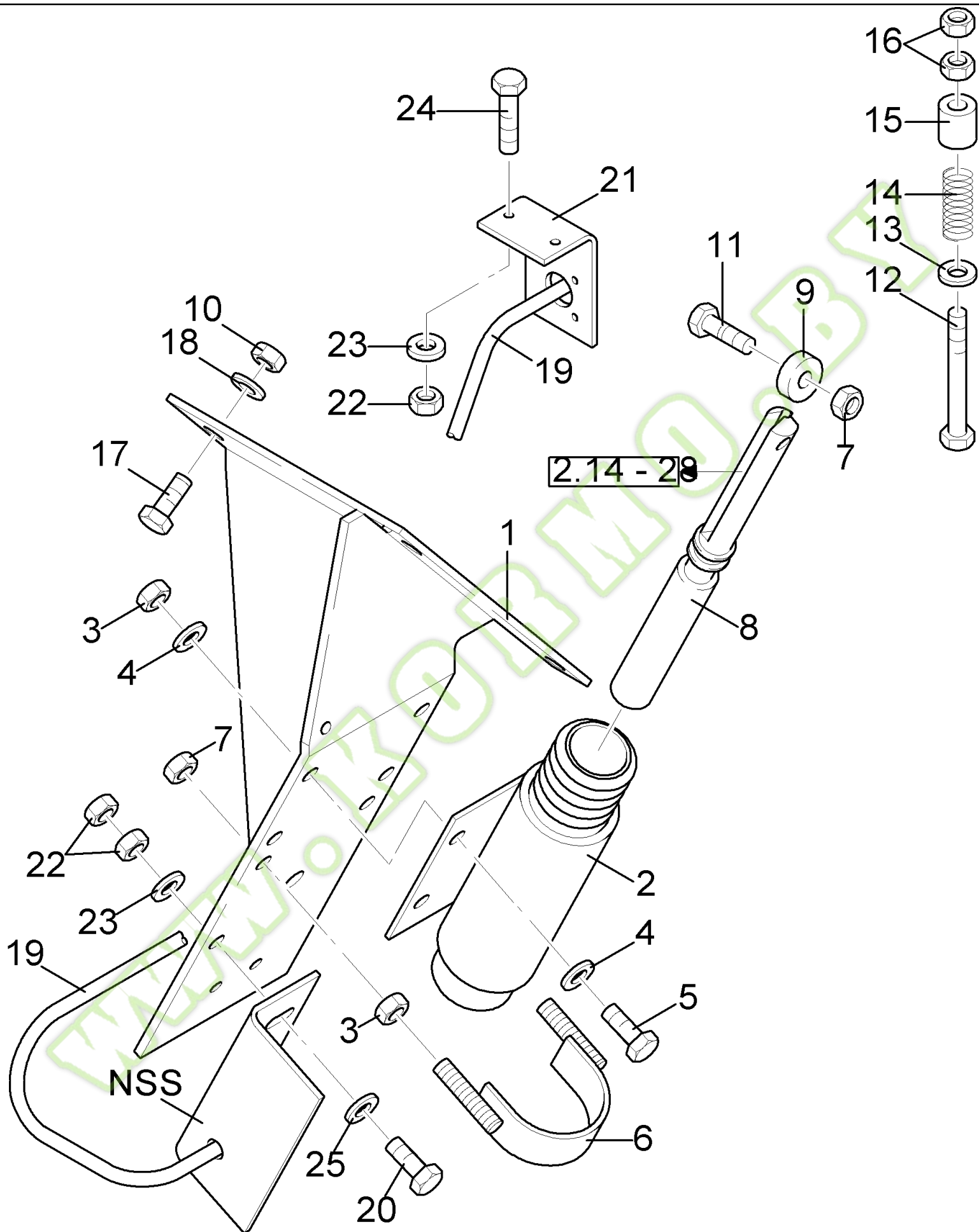
WWW.KORMO.BY



## FX375 NH SELF PROPELLED FORAGE HARVESTER - YELLOW VERSION

## 02.14(01) STOP SYSTEM METAL DETECTOR

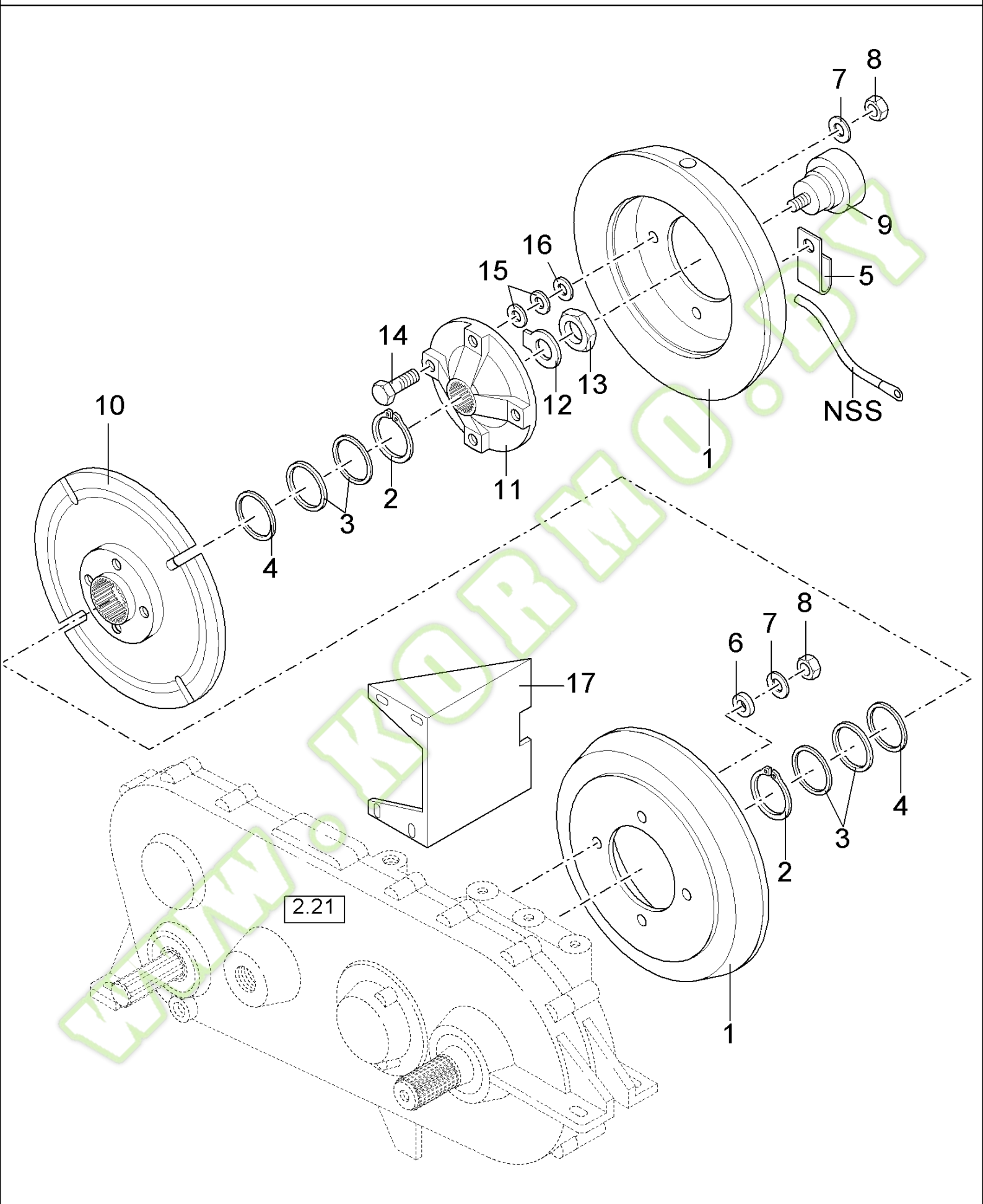
Ref	Part Number	Qty	Description
1	100085	2	NUT, {PP:80100085} M20 x 1.5, CI 8, M20
2	84026105	1	BEARING, CAMSHAFT, , -C0408
3	300595	1	PIN, SPLIT (COTTER), {PP:80300595} M4 x 40, , -C0409
4	84039376	1	SHAFT, M20
5	84018062	3	WASHER,
6	612764	2	SPRING, {PP:80612764}
7	120083	3	SCREW, {PP:80120083} Hex, M12 x 70, 8.8, M12X70
8	140046	4	WASHER, LOCK, {PP:80140046} Belleville, M12, 12MM
9	321204	1	NIPPLE, LUBE, {PP:80321204}
10	337475	1	NUT, {PP:80337475} M12, CI 10, M12
11	80748068	1	WASHER,
12	370024	2	RING, SNAP, {PP:80370024}
13	84023168	2	RING,
14	84023169	2	RING,
15	84023167	1	BEARING, CAMSHAFT,
16	120183	1	SCREW, {PP:80120183} Hex, M12 x 90, 8.8, M12X90
17	84007231	1	SUPPORT, (18,19)
18	84007329	1	SLEEVE,
19	84007330	1	SLEEVE,
20	84023310	1	SUPPORT,
21	84023333	1	PIN,
22	322358	1	WASHER, LOCK, {PP:80322358} Belleville, M8, 8MM
23	84057060	1	SCREW, M8X16
24	84026851	1	PIN,
25	301644	2	RING, SNAP, {PP:80301644}
26	321204	1	NIPPLE, LUBE, {PP:80321204} , D0600-
26	332038	1	NIPPLE, LUBE, {PP:80332038} , -C0405
27	84041108	1	PAWL,
28	84023334	1	PLATE, COVER, , -C0409
28	84036821	1	GUIDE, , D1000-
29	140045	1	WASHER, LOCK, {PP:80140045} Belleville, M10, 10MM, -C0409
30	80300383	1	SCREW, M10X16, -C0409
30	84039516	1	SCREW, Hex, M10 x 40, 8.8, M10X40, D1000-
31	80432766	1	SPRING, , -C0409
31	84036950	1	SPRING, , D1000-
32	84037316	1	SHAFT, M20
33	323713	1	NIPPLE, LUBE, {PP:80323713}
34	84038821	1	PLATE, LOCKING, , D1000-
35	353308	3	NUT, {PP:80353308} M6 x 1, CI 8, M6, D1000-
36	120101	1	SCREW, {PP:80120101} Hex, M6 x 30, 8.8, Full Thd, M6X30, D1000-
37	100038	1	NUT, LOCK, {PP:80100038} M12 x 1.75, CI 8, M12, D1000-
38	394630	3	WASHER, {PP:80394630} , D1000-
39	337475	3	NUT, {PP:80337475} M12, CI 10, M12, D1000-
40	84039467	1	ROD, THREADED, , D1000-



## FX375 NH SELF PROPELLED FORAGE HARVESTER - YELLOW VERSION

## 02.15(01) STOP SYSTEM METAL DETECTOR

Ref	Part Number	Qty	Description
1	84036823	1	SUPPORT,
2	84038194	1	ELECTROMAGNET,
3	100015	6	NUT, {PP:80100015} M8, CI 8, M8
4	322358	8	WASHER, LOCK, {PP:80322358} Belleville, M8,
5	43128	4	SCREW, {PP:80043128} Hex, M8 x 30, 8.8, Cap, HH, CL 8.8, M8 x 1.25 x 30
6	84039226	1	CLAMP,
7	100067	3	NUT, {PP:80100067} M8 x 1.25", CI 8, M8
8	84036999	1	SHAFT,
9	84037173	1	ROLLER,
10	100037	3	NUT, {PP:80100037} M10 x 1.5, CI 8, M10
11	386045	1	SCREW, {PP:80386045} Hex, M8 x 45, 8.8, M8X45
12	120073	1	SCREW, {PP:80120073} Hex, M10 x 80, 8.8, M10X80
13	378244	1	WASHER, LOCK, {PP:80378244} 10MM
14	320502	1	SPRING, {PP:80320502}
15	9514390	1	RING, {PP:89514390}
16	100016	2	NUT, {PP:80100016} M10, CI 8, M10
17	120112	3	SCREW, {PP:80120112} Hex, M10 x 40, 8.8, Full Thd, M10X40
18	140045	3	WASHER, LOCK, {PP:80140045} Belleville, M10, 10MM
19	84035132	1	HARNESS, WIRE, (NSS)
20	120101	2	SCREW, {PP:80120101} Hex, M6 x 30, 8.8, Full Thd, M6X30
21	84039350	1	BRACKET,
22	9706755	2	NUT, {PP:89706755} M6, CI 8, M6
23	322357	2	WASHER, LOCK, {PP:80322357} Belleville, M6, Belleville, M6
24	120100	2	BOLT, {PP:80120100} Hex, M6 x 20, 8.8, M6X20
25	140015	2	WASHER, {PP:80140015} 6MM



ONLY VALID UNTIL SERIAL NO. 000-5077999





## FX375 NH SELF PROPELLED FORAGE HARVESTER - YELLOW VERSION

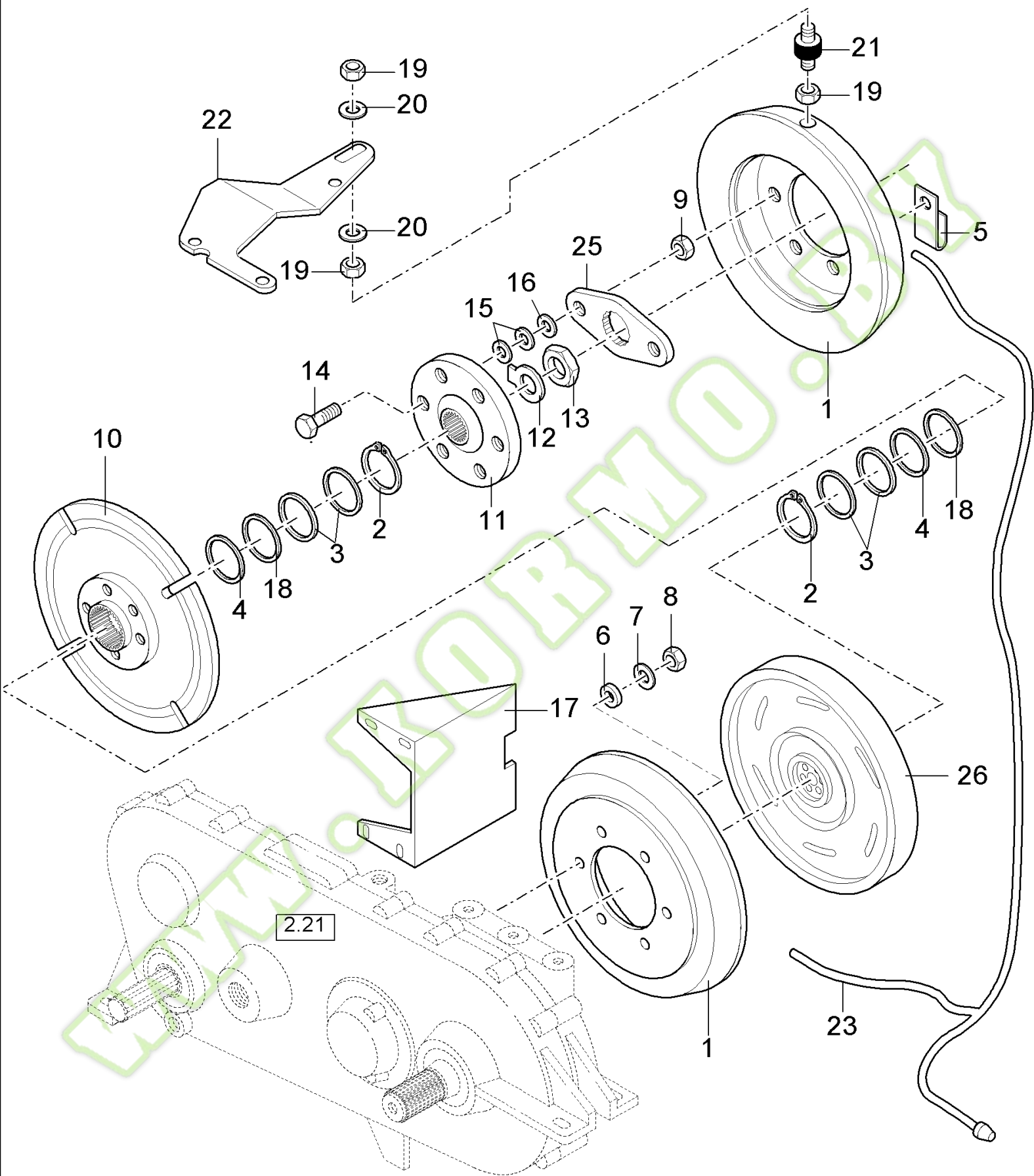
## 02.16(01) REVERSING CLUTCH

Ref	Part Number	Qty	Description
0	84022272	1	CLUTCH, (1,9,10)
1	84022379	2	MAGNET,
2	327911	2	CIRCLIP, {PP:80327911}
3	84005650	AR	PLATE, ADJUSTING, THK.:0.5MM
4	84005649	AR	SHIM, THK.:1.5MM
5	134578	1	CLIP, {PP:80134578}
6	80385699	4	SPACER,
7	140046	8	WASHER, LOCK, {PP:80140046} Belleville, M12, 12MM
8	337475	8	NUT, {PP:80337475} M12, CI 10, M12
9	84018707	1	BRUSH HOLDER,
10	84022297	1	PLATE, MAGNET,
11	89833781	1	HUB,
12	84022183	1	PLATE, LOCKING,
13	412321	1	NUT, {PP:80412321} M26 x 1.5, CI 8, M26X1.5
14	614-12045	4	BOLT, {PP:84015507} Hex, M12 x 45, 8.8, M12X45
15	36823	AR	SHIM, {PP:80036823} THK.:0.38MM
16	64263	AR	WASHER, {PP:80064263} THK.:1.5MM
17	84041520	1	SHIELD, , D1000-

ONLY VALID UNTIL SERIAL NO.--5077999



02.16A(01) REVERSING CLUTCH



ONLY VALID FROM SERIAL NO. 000-5078001

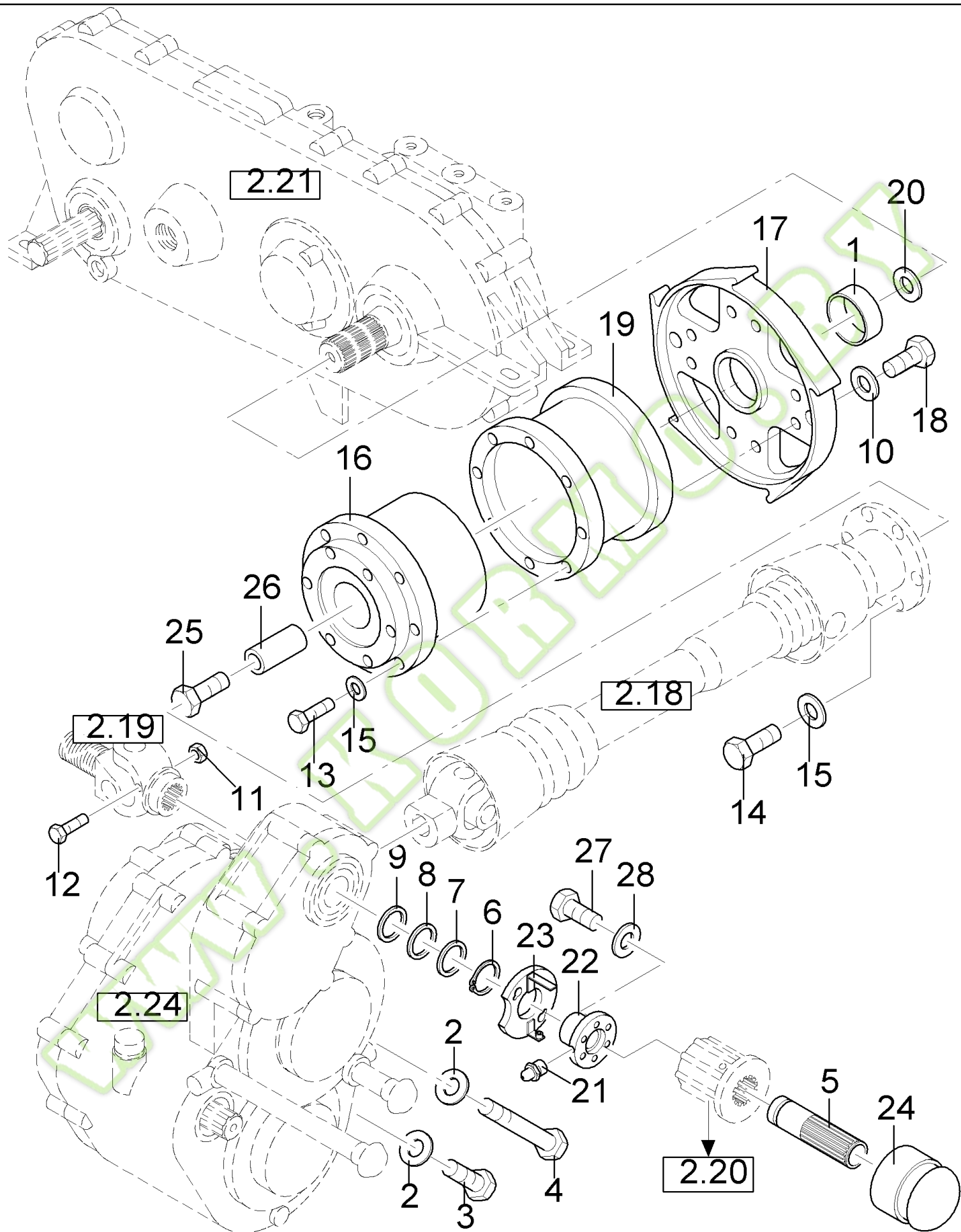
## FX375 NH SELF PROPELLED FORAGE HARVESTER - YELLOW VERSION

## 02.16A(01) REVERSING CLUTCH

Ref	Part Number	Qty	Description
0	84062314	1	CLUTCH, (1,10,26)
1	84058013	1	MAGNET, Front
1	84058015	1	MAGNET, Back
2	327911	2	CIRCLIP, {PP:80327911}
3	84005650	AR	PLATE, ADJUSTING, THK.:0.5MM
4	84005649	AR	SHIM, THK.:1.5MM
5	134578	1	CLIP, {PP:80134578}
6	378245	4	WASHER, {PP:80378245}
7	140046	8	WASHER, LOCK, {PP:80140046} Belleville, M12, 12MM
8	337475	8	NUT, {PP:80337475} M12, CI 10, M12
9	100016	6	NUT, {PP:80100016} M10, CI 8,
10	84058014	1	PLATE, MAGNET,
11	84045123	1	HUB,
12	80717363	1	WASHER,
13	412321	2	NUT, {PP:80412321} M26 x 1.5, CI 8, M26X1.5
14	84062222	6	SCREW, Hex, M10 x 45, 8.8, Full Thd, M10X50
15	84058025	AR	SHIM, THK.:0.38MM
16	84058024	AR	SHIM, THK.:1.5MM
17	84041520	1	SHIELD,
18	84058023	AR	SHIM, THK.:0.2MM
19	100015	3	NUT, {PP:80100015} M8, CI 8, M8
20	412650	2	WASHER, LOCK, {PP:80412650} Belleville, M8, 8MM
21	393802	1	SHOCK ABSORBER, {PP:80393802}
22	84056784	1	PLATE,
23	84064100	1	HARNESS, WIRE,
24	84032700	1	SUPPORT,
25	84062167	1	PLATE, LOCKING,
26	84068744	1	ROTOR,

ONLY VALID FROM SERIAL NO.---5078001---

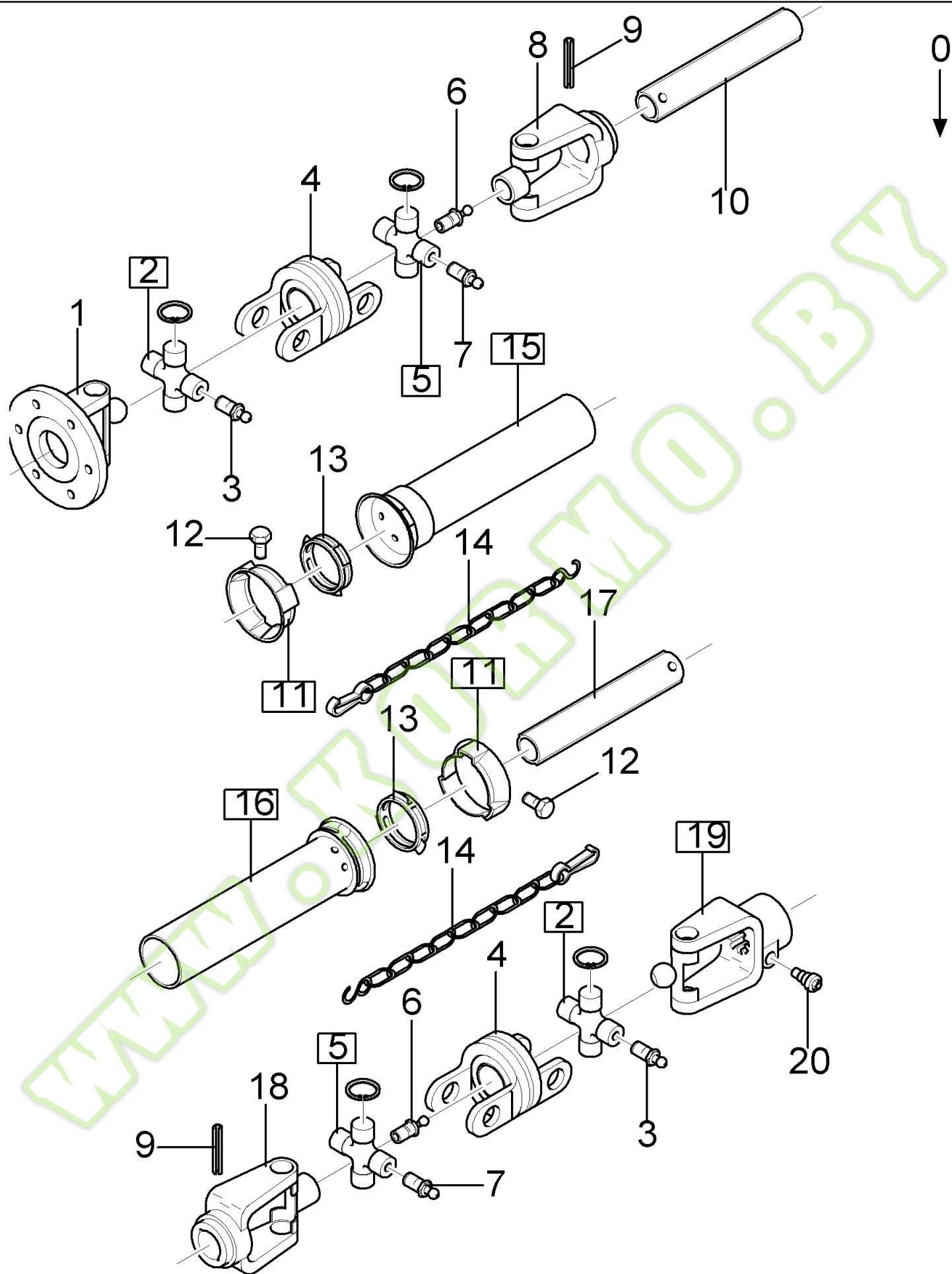




## FX375 NH SELF PROPELLED FORAGE HARVESTER - YELLOW VERSION

## 02.17(01) MAIN DRIVE

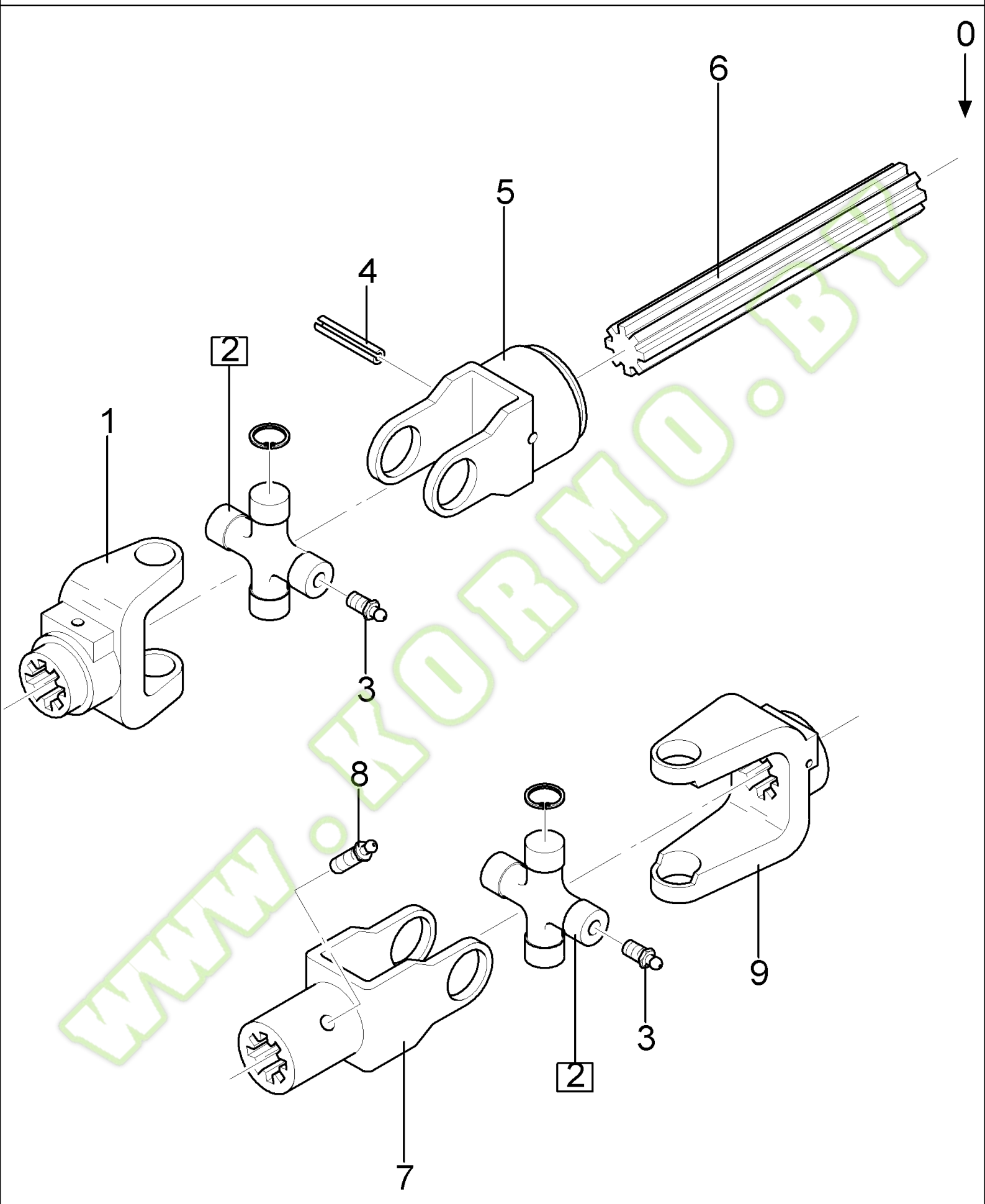
Ref	Part Number	Qty	Description
1	84005391	1	SLEEVE,
2	80395655	3	WASHER,
3	300389	2	SCREW, {PP:80300389} Hex, M12 x 35, 8.8, Full Thd, M12X35
4	80309308	1	SCREW, M12X120
5	84032461	1	SHAFT,
6	370004	1	CIRCLIP, {PP:80370004}
7	140119	AR	WASHER, {PP:80140119}
8	80922593	AR	PLATE, ADJUSTING,
9	58630	AR	SHIM, {PP:80058630}
10	394630	8	WASHER, {PP:80394630} 12MM
11	100067	1	NUT, {PP:80100067} M8 x 1.25", CI 8, M8
12	120062	1	SCREW, {PP:80120062} Hex, M8 x 70, 8.8, M8X70
13	80337563	8	SCREW, M12X40
15	140046	14	WASHER, LOCK, {PP:80140046} Belleville, M12, 12MM
16	84021378	1	CLUTCH, , SUBPARTS NOT SERVICED
17	84039377	1	RATCHET,
18	80379753	8	SCREW, M12X35
19	84019941	1	HUB,
20	378087	1	RING, {PP:80378087} , -C0608
20	84032576	1	RING, , D0900-
21	321204	1	NIPPLE, LUBE, {PP:80321204}
22	84032460	1	HUB,
23	84036037	1	PLATE, , -C0409
23	84039428	1	PLATE, , D1000-
24	84036040	1	COVER, , -C0409
24	84039430	1	COVER, , D1000-
25	120183	1	SCREW, {PP:80120183} Hex, M12 x 90, 8.8, M12X90, D1000-
25	80379753	1	SCREW, M12X35, -C0409
26	84038406	1	BEARING, CAMSHAFT, , D1000-
27	84053582	6	SCREW,
28	322358	6	WASHER, LOCK, {PP:80322358} Belleville, M8,
14	9706687	6	SCREW, {PP:89706687} Hex, M12 x 30, 8.8, M12X30



## FX375 NH SELF PROPELLED FORAGE HARVESTER - YELLOW VERSION

## 02.18(01) POWER TAKE-OFF

Ref	Part Number	Qty	Description
0	84005234	1	SHAFT, PTO, (1 TO 20)
0	84031168	1	SHAFT, PTO, (1 TO 15)
0	84031179	1	SHAFT, PTO, , INCL. ITEMS 2 TO 7,9,11 TO 14,16 TO 20
1	84031202	1	YOKE,
2	734264	2	SPIDER, {PP:80734264} (3)
3	150024	2	NIPPLE, LUBE, {PP:80150024}
4	84031205	2	YOKE,
5	84031206	2	SPIDER, (6,7)
6	84031207	2	NIPPLE, LUBE,
7	321204	2	NIPPLE, LUBE, {PP:80321204}
8	84031208	1	YOKE,
9	440437	2	PIN, ROLL, {PP:80440437} M10 x 80 Slotted,
10	84031209	1	TUBE,
11	80750658	2	RING, (12)
12	321803	2	BOLT, {PP:80321803} Cross Pan Hd, M4 x 10, M4X10
13	411728	2	RING, {PP:80411728}
14	379650	2	CHAIN, {PP:80379650}
15	84031200	1	SHIELD, INNER, (11 TO 13)
16	84031201	1	PROTECTION CAP, (11 TO 13)
17	84031210	1	TUBE,
18	84031211	1	YOKE,
19	84031203	1	YOKE, (20)
20	84031204	1	PIN, LOCK,

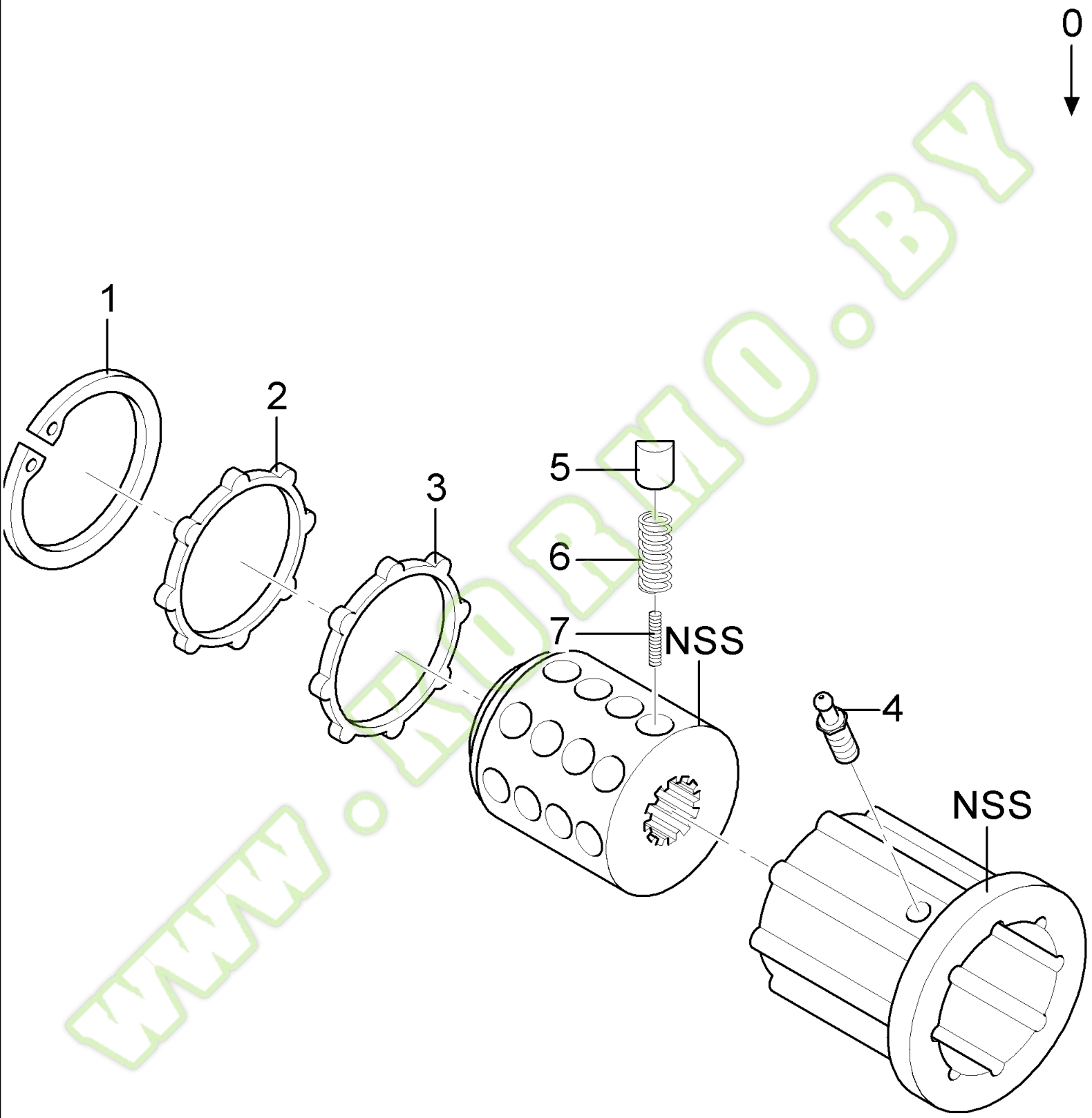




## FX375 NH SELF PROPELLED FORAGE HARVESTER - YELLOW VERSION

## 02.19(01) POWER TAKE-OFF

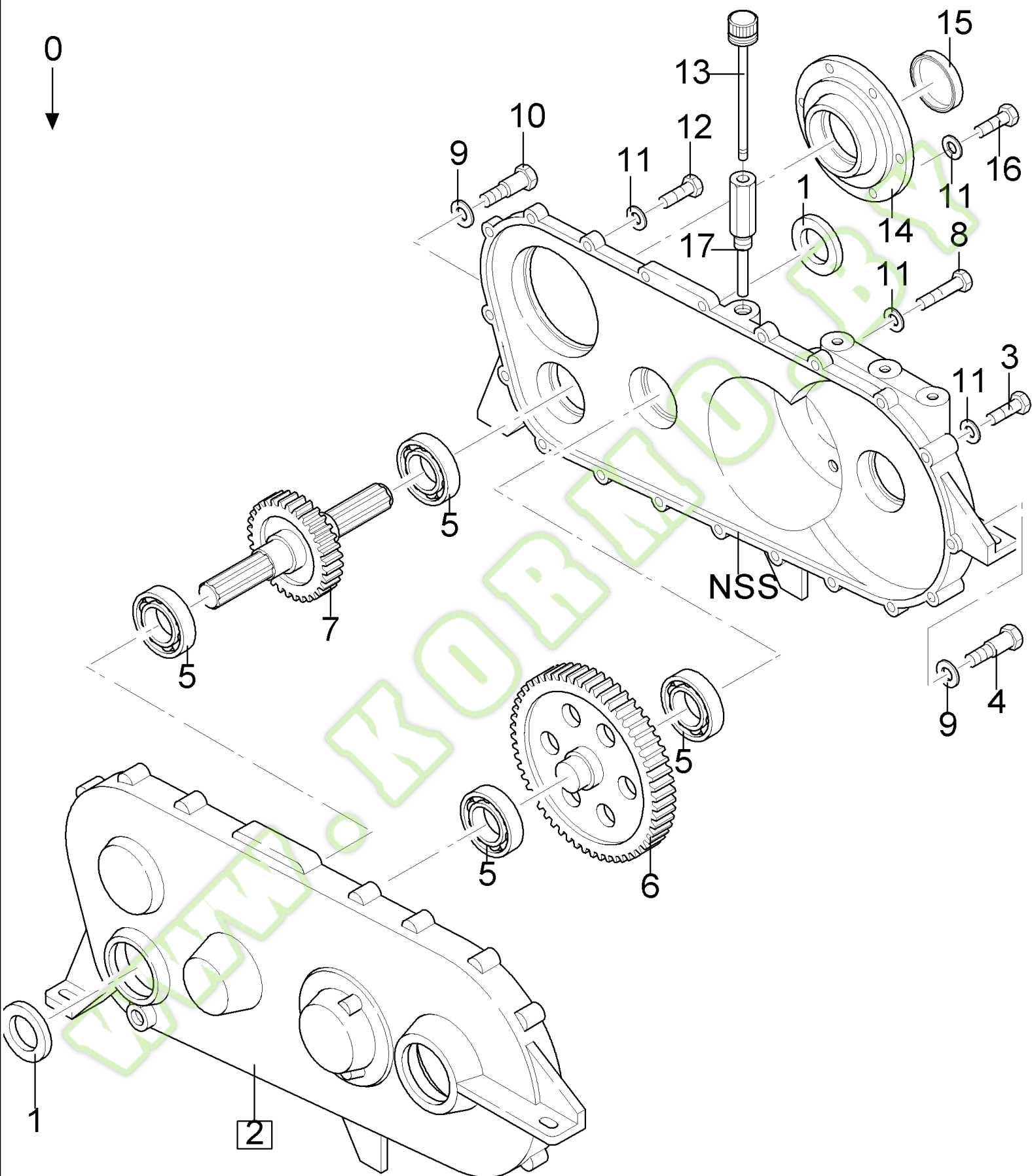
Ref	Part Number	Qty	Description
0	84005709	1	SHAFT, PTO, (1 TO 10), -C0412
0	84031268	1	SHAFT, PTO, HALF(1 TO 6), -C0412
0	84031269	1	SHAFT, PTO, HALF(2,7 TO 9)
0	84031273	1	YOKE, (4 TO 6)
0	84043070	1	SHAFT, PTO, (1TO10), D1300-
0	84045705	1	SHAFT, PTO, (1TO6), D1300-
1	84031270	1	YOKE, , -C0412
1	84045706	1	YOKE, , D1300-
2	84031272	2	SPIDER, (3)
3	321204	4	NIPPLE, LUBE, {PP:80321204}
4	440437	1	PIN, ROLL, {PP:80440437} M10 x 80 Slotted,
5	84031274	1	YOKE,
6	84031275	1	SHAFT,
7	84031276	1	YOKE, (8)
8	84031277	1	NIPPLE, LUBE,
9	84031271	1	YOKE,



## 02.20(01) CLUTCH ASSEMBLY

Ref	Part Number	Qty	Description
0	84032467	1	CLUTCH, (1 TO 7)
1	80300633	1	RING, SNAP,
2	411960	1	RING, {PP:80411960}
3	411959	1	RING, {PP:80411959}
4	300919	1	NIPPLE, LUBE, {PP:80300919}
5	386509	32	CAM, {PP:80386509}
6	386510	32	SPRING, {PP:80386510}
7	386511	23	SPRING, {PP:80386511}

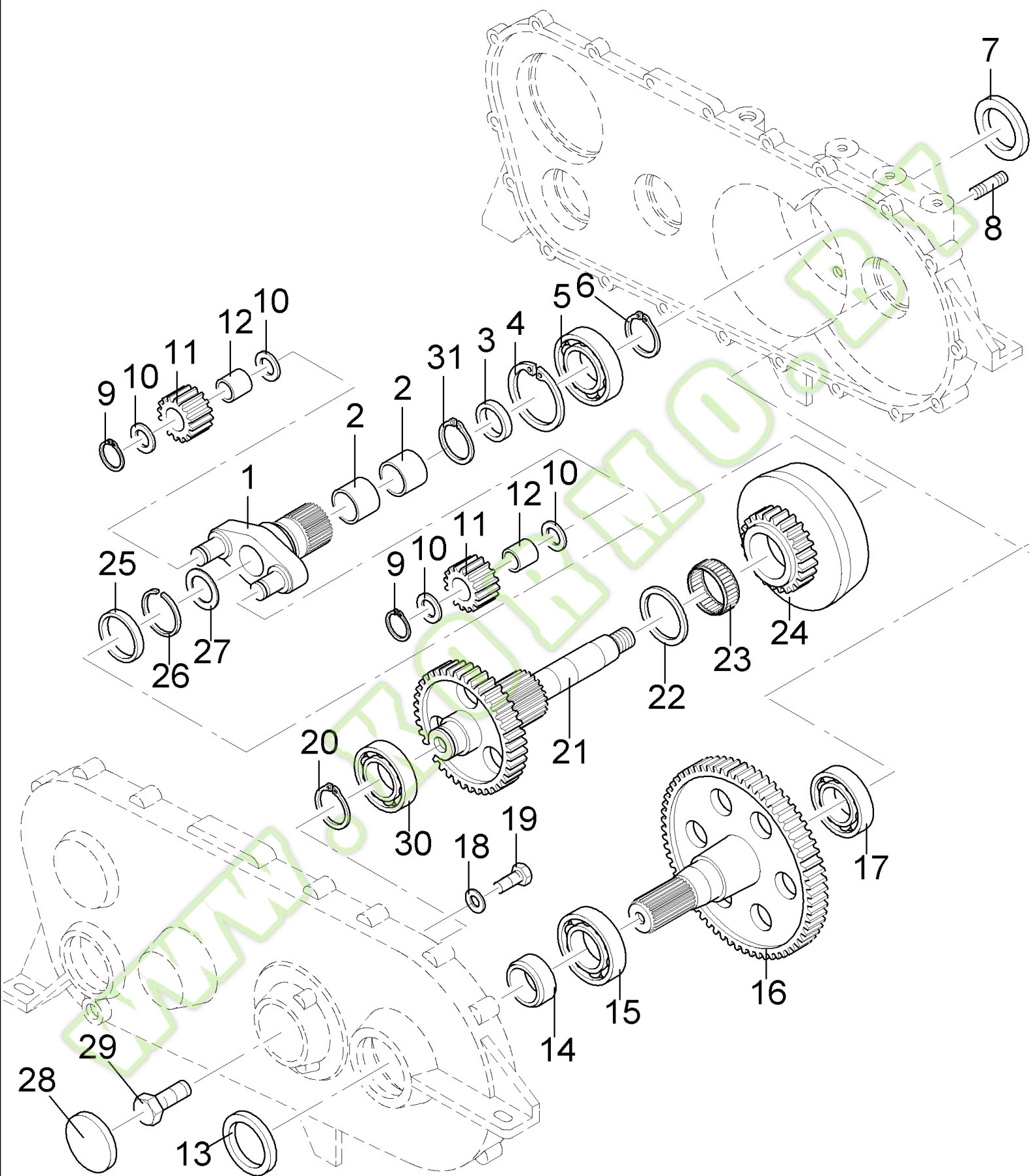
WWW.KORMO.BY



## FX375 NH SELF PROPELLED FORAGE HARVESTER - YELLOW VERSION

## 02.21(01) STANDARD REVERSE GEARBOX

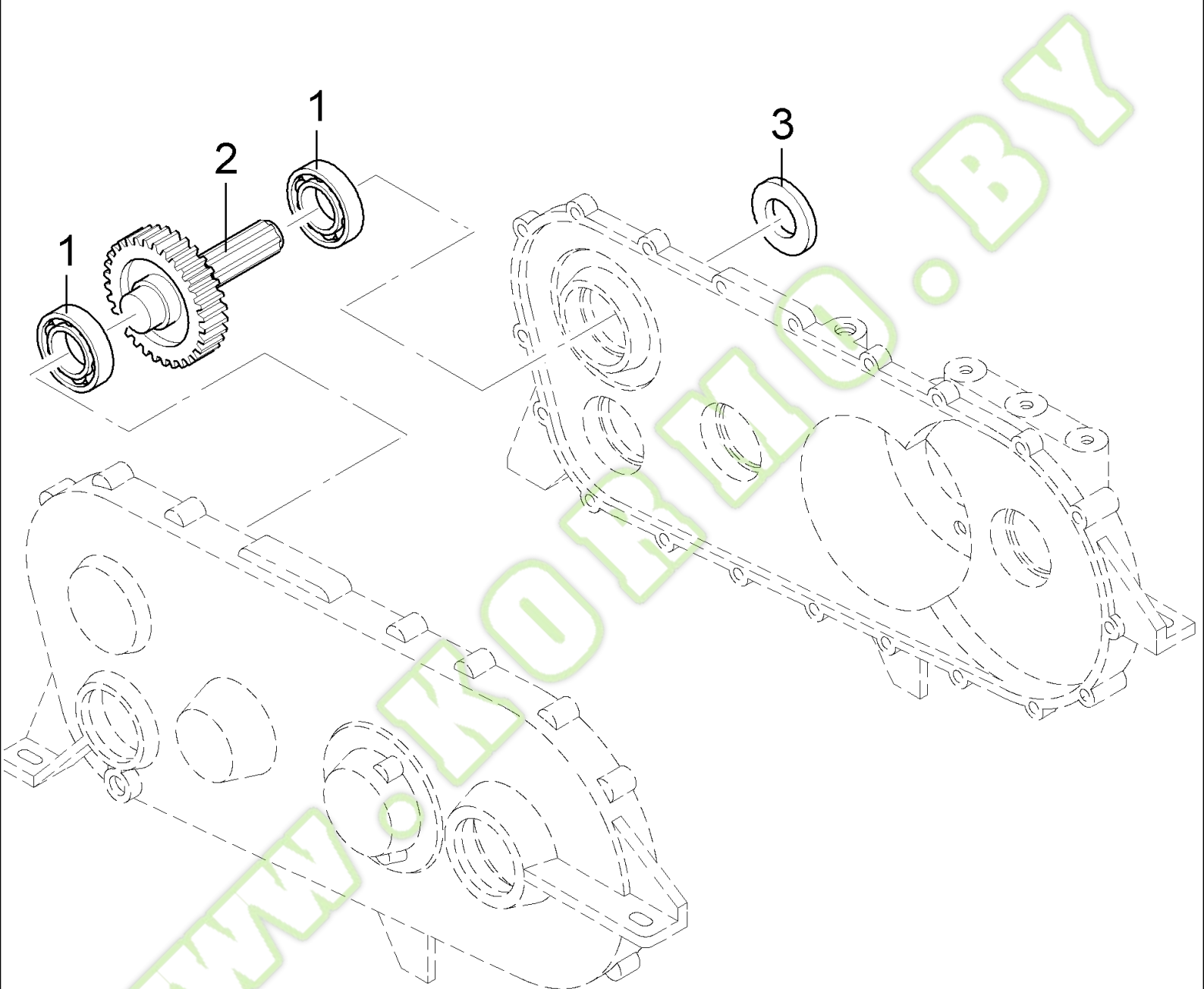
Ref	Part Number	Qty	Description
0	84037969	1	GEARBOX, , INCL. GROUPS 2.22 TO 2.23
1	01119347	2	SEAL, {PP:80394994} , -C0412
1	84041899	2	RING, OIL SCRAPER, , D1300-
2	84005409	1	HOUSING, (NSS), -C0412
2	84038081	1	GEARBOX, (NSS), D1300-
3	80120061	3	SCREW, M8X60
4	84005607	1	SCREW, Hex, M8 x 60, 8.8, M8X9
5	301164	4	BEARING ASSY, {PP:80301164}
6	89833768	1	GEAR,
7	89833765	1	SHAFT,
8	120062	2	SCREW, {PP:80120062} Hex, M8 x 70, 8.8, M8X70
9	84019410	2	WASHER,
10	84000985	1	SCREW, Hex, M8 x 35, 10.9, Full Thd, M8X9
11	322358	10	WASHER, LOCK, {PP:80322358} Belleville, M8, 8MM
12	300381	13	SCREW, {PP:80300381} Hex, M8 x 35, 8.8, M8X35
13	84045840	1	INDICATOR,
14	89833783	1	CAP, FLANGE COVER,
15	84005692	1	CAP, FLANGE COVER,
16	43127	6	BOLT, {PP:80043127} Hex, M8 x 25, 8.8, M8X25
17	84043368	1	BUSHING,



## FX375 NH SELF PROPELLED FORAGE HARVESTER - YELLOW VERSION

## 02.22(01) STANDARD REVERSE GEARBOX

Ref	Part Number	Qty	Description
1	84005627	1	SHAFT, , -C0412
1	84037973	1	SHAFT, , D1300-
2	80535318	2	BUSHING,
3	84041902	1	ELEMENT, SEALING, 45 x 35 x 7
3	444355	1	SEAL, {PP:80444355} 43 x 35 x 4
4	370013	1	RING, SNAP, {PP:80370013}
5	84037967	1	BEARING ASSY,
6	327911	1	CIRCLIP, {PP:80327911}
7	84005604	1	ELEMENT, SEALING, , -C0412
7	84041900	1	RING, OIL SCRAPER, , D1300-
8	430945	4	STUD, {PP:80430945}
9	370024	2	RING, SNAP, {PP:80370024}
10	84005625	4	WASHER,
11	89833775	2	GEAR,
12	84005674	2	SLEEVE,
13	412442	1	SEAL, {PP:80412442} , -C0412
13	84017986	1	ELEMENT, SEALING, , D1300-
14	84005677	1	BUSHING,
15	440395	1	BEARING ASSY, {PP:80440395}
16	89833776	1	GEAR,
17	301164	1	BEARING ASSY, {PP:80301164}
18	322358	3	WASHER, LOCK, {PP:80322358} Belleville, M8, 8MM
19	80120104	3	SCREW, M8X20
20	370006	1	CIRCLIP, {PP:80370006} , -C0412
20	84037972	1	CIRCLIP, , D1300-
21	84005678	1	GEAR, , -C0412
21	84037970	1	GEAR, , D1300-
22	84005660	1	RING,
23	84005624	1	BEARING ASSY,
24	89833771	1	GEAR, RING,
25	89833772	1	RING,
26	84005626	1	RING, SNAP,
27	84005622	1	RING, , -C0408
28	84005692	1	CAP, FLANGE COVER, , D1300-
29	84037971	1	SCREW, Hex Soc Flat Hd, M12 x 25, 8.8, M12X25, D1300-
30	301164	1	BEARING ASSY, {PP:80301164} , -C0412
30	323327	1	BEARING ASSY, {PP:80323327} , D1300-
31	84037855	1	CIRCLIP, , D1300-



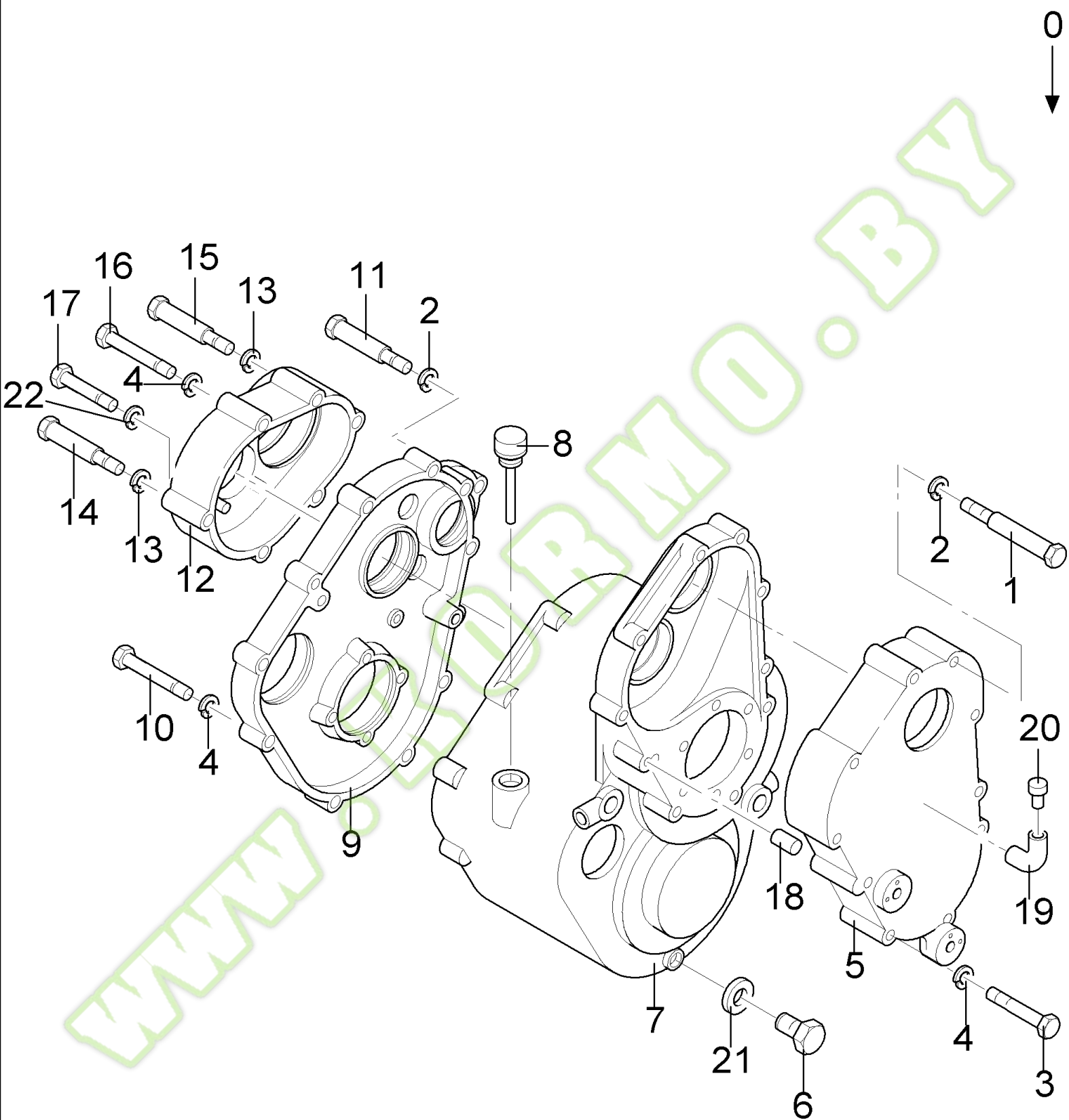


## FX375 NH SELF PROPELLED FORAGE HARVESTER - YELLOW VERSION

02.23(01) HIGH BLOWER SPEED

Ref	Part Number	Qty	Description
1	301164	2	BEARING ASSY, {PP:80301164}
2	89833779	1	SHAFT, CONTROL,
3	01119347	1	SEAL, {PP:80394994} , -C0412
3	84041899	1	RING, OIL SCRAPER, , D1300-

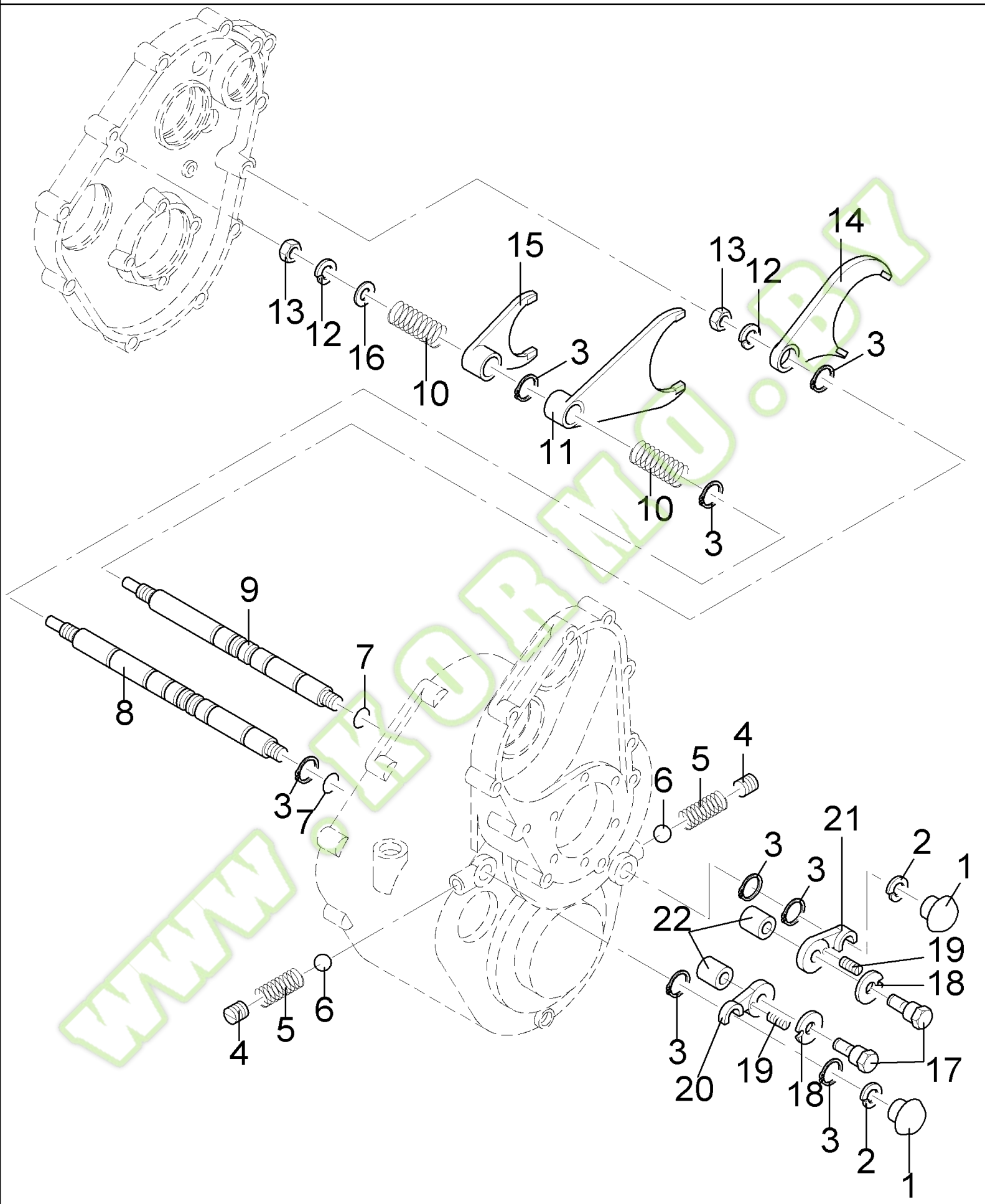
WWW.KORMO.BY



## FX375 NH SELF PROPELLED FORAGE HARVESTER - YELLOW VERSION

## 02.24(01) "L.O.C." GEARBOX

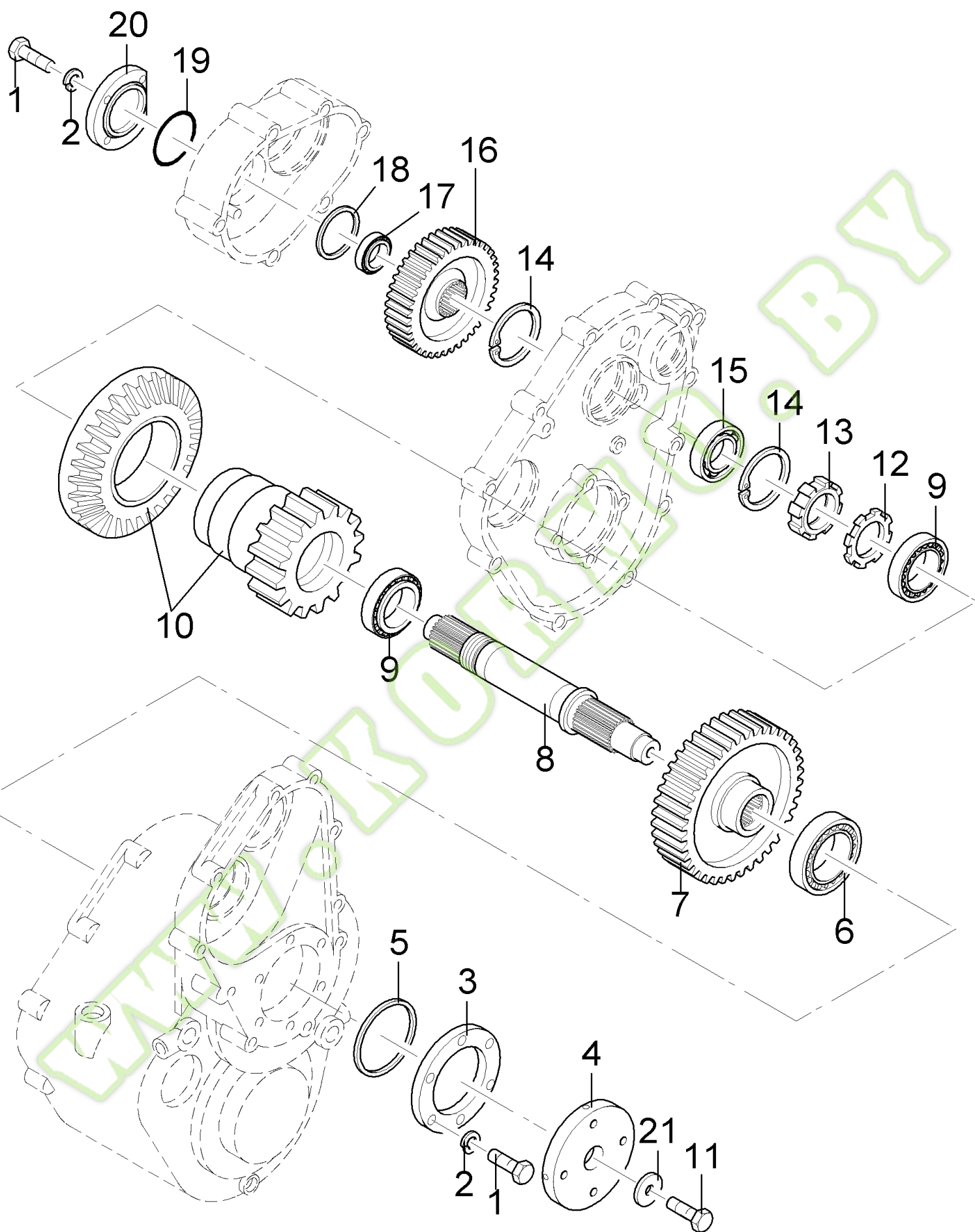
Ref	Part Number	Qty	Description
0	84045210	0	GEARBOX, , INCL. GROUPS 2.25 TO 2.29
1	84021886	2	BOLT, M10X90
2	80412123	3	WASHER, LOCK,
3	120108	9	SCREW, {PP:80120108} Hex, M8 x 80, 8.8, Full Thd, M8X80, -C0413
3	84056952	9	SCREW, Hex, M10 x 85, 8.8, M10 x 85, D1400-
4	322358	9	WASHER, LOCK, {PP:80322358} Belleville, M8, 8MM, -C0413
4	394629	9	WASHER, LOCK, {PP:80394629} 10MM, D1400-
5	84005365	1	HOUSING, , -C0413
5	84053347	1	HOUSING, , D1400-
6	84037192	1	PLUG, MAGNETIC
7	84042499	1	HOUSING, , -C1313
7	89833520	1	HOUSING, , -C0412
7	84053344	1	HOUSING, , D1400-
8	84031833	1	INDICATOR,
9	89833512	1	COVER, , -C0413
9	84053345	1	COVER, , D1400-
10	120107	10	SCREW, {PP:80120107} Hex, M8 x 50, 8.8, Full Thd, M8X50, -C0413
10	120069	10	SCREW, {PP:80120069} Hex, M10 x 50, 8.8, M10 x 50, D1400-
11	84021963	2	BOLT, M8X55
12	84005364	1	HOUSING, , -C0413
12	84053346	1	HOUSING, , D1400-
13	320177	2	WASHER, LOCK, {PP:80320177} 10MM, -C0413
13	87880	2	WASHER, LOCK, {PP:80087880} 19MM, D1400-
14	84021964	1	BOLT, M10X85
15	84021885	1	BOLT, M10X100
16	412215	2	SCREW, {PP:80412215} Hex, M8 x 100, 8.8, M8X100, -C0413
16	80120075	2	SCREW, M10 x 100, D1400-
17	120072	2	SCREW, {PP:80120072} Hex, M10 x 70, 8.8, M10 x 70, D1400-
17	300510	2	SCREW, {PP:80300510} Hex, M8 x 65, 8.8, M8X65, -C0413
18	84022677	1	DIPSTICK,
19	86511898	1	ELBOW, , D0600-
20	46566	1	BREATHER, {PP:80046566} , -C0608
20	80916612	1	BREATHER, , D0900-
21	84011380	1	RING, , D0900-
22	412328	2	WASHER, {PP:80412328} 8MM, -C0413
22	394629	2	WASHER, LOCK, {PP:80394629} 10MM, D1400-



## FX375 NH SELF PROPELLED FORAGE HARVESTER - YELLOW VERSION

02.25(01) "L.O.C." GEARBOX

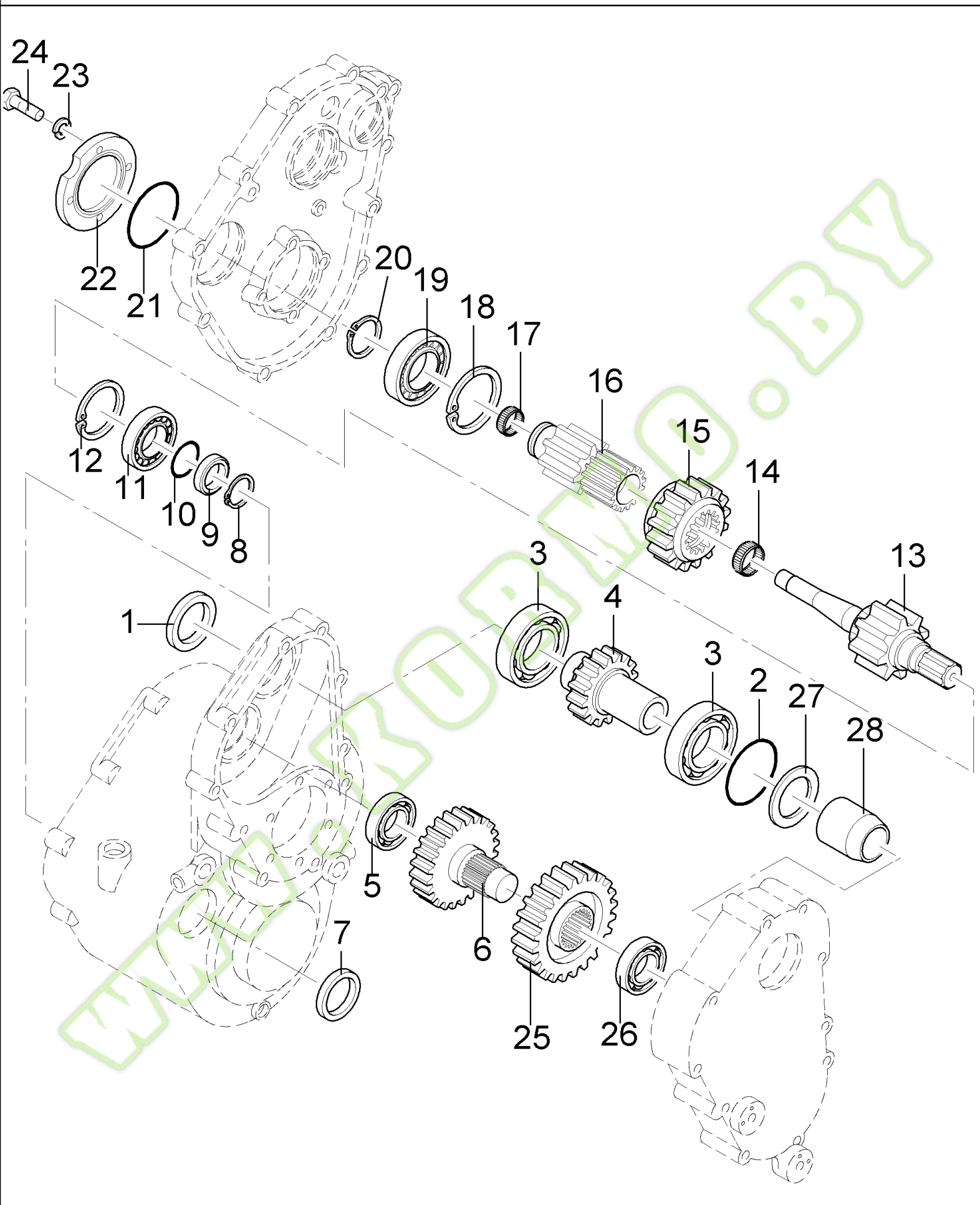
Ref	Part Number	Qty	Description
1	84021892	2	KNOB,
2	140045	2	WASHER, LOCK, {PP:80140045} Belleville, M10, 10MM
3	84021874	6	CIRCLIP,
4	80110016	2	SCREW, M10X10
5	84021893	2	SPRING,
6	84021891	2	BALL,
7	84021873	2	O-RING,
8	89833518	1	SHAFT,
9	89833519	1	SHAFT,
10	84005595	2	SPRING,
11	89833499	1	YOKE,
12	140046	2	WASHER, LOCK, {PP:80140046} Belleville, M12, 12MM
13	391549	2	NUT, {PP:80391549} M12, CI 8.8, M12
14	89833507	1	YOKE,
15	89833506	1	YOKE,
16	362298	1	WASHER, {PP:80362298} 12MM
17	43139	2	SCREW, {PP:80043139} Hex, M10 x 25, 8.8, Full Thd, M10X25
18	378244	2	WASHER, LOCK, {PP:80378244} 10MM
19	84022678	2	SPRING,
20	84021368	1	LOCK, (I+III)
21	84021369	1	LOCK, (II)
22	84037095	2	BUSHING,



## FX375 NH SELF PROPELLED FORAGE HARVESTER - YELLOW VERSION

## 02.26(01) "L.O.C." GEARBOX

Ref	Part Number	Qty	Description
1	43128	8	SCREW, {PP:80043128} Hex, M8 x 30, 8.8, Cap, HH, CL 8.8, M8 x 1.25 x 30
2	322358	8	WASHER, LOCK, {PP:80322358} Belleville, M8, 8MM
3	89833504	1	COVER,
4	84019878	1	DISC,
5	89833515	AR	PLATE, ADJUSTING, THK.:0.05
6	84021880	1	BEARING ASSY,
7	84005438	1	GEAR,
8	84045202	1	SPINDLE,
9	84021879	2	BEARING ASSY,
10	84045207	1	GEAR SET,
11	43140	1	BOLT, {PP:80043140} Hex, M10 x 30, 8.8, M10X30
12	80410880	1	RING, LOCKING,
13	410475	1	NUT, {PP:80410475} M45X1.5
14	370018	2	RING, SNAP, {PP:80370018}
15	80440399	1	BEARING ASSY,
16	84045203	1	GEAR,
17	309085	1	BEARING ASSY, {PP:80309085}
18	89833516	AR	PLATE, ADJUSTING, THK.:0.05
19	84021868	1	O-RING,
20	89833522	1	COVER,
21	84019879	1	WASHER, , -C0412
21	84032695	1	WASHER, , D1300-

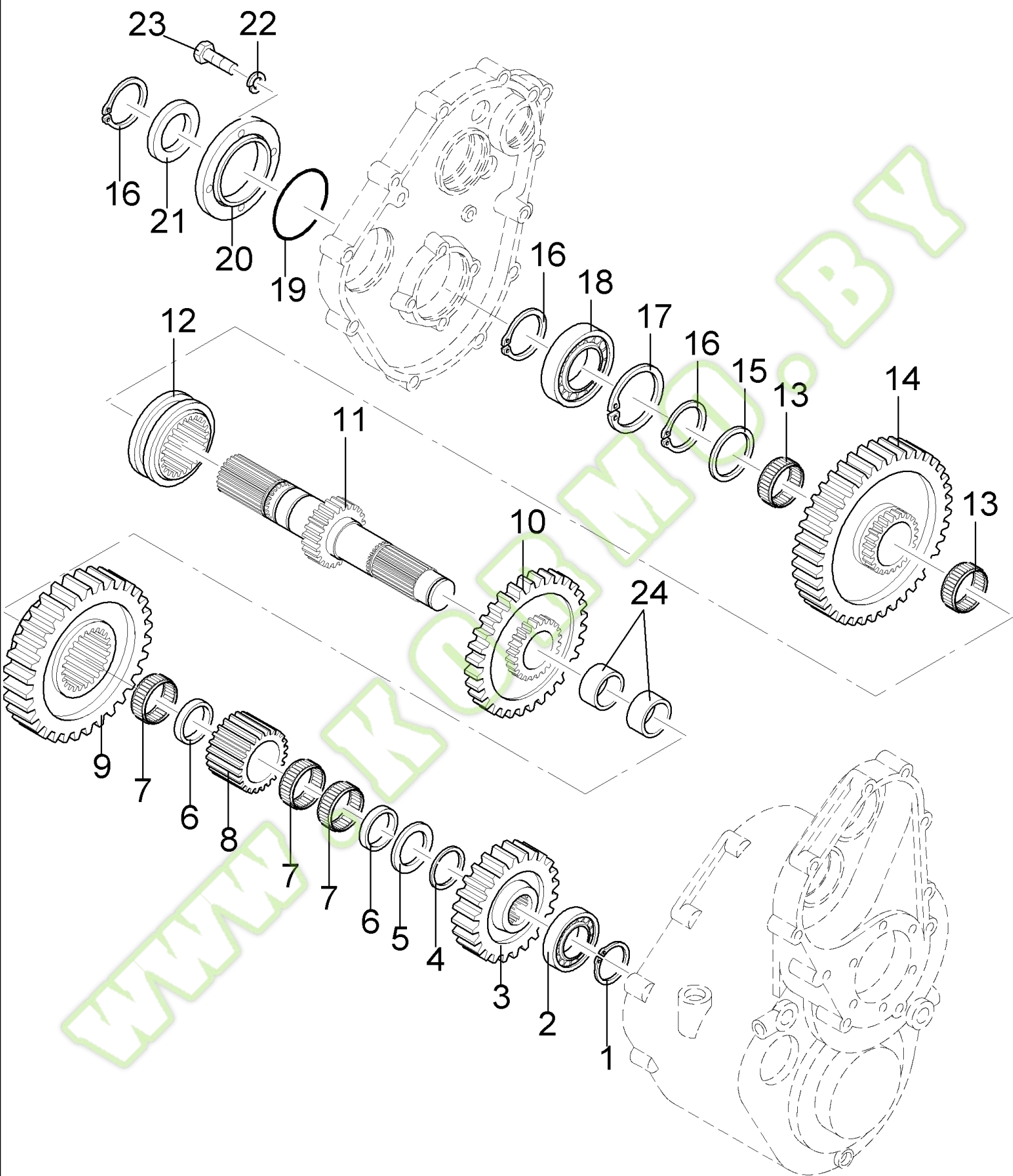




## FX375 NH SELF PROPELLED FORAGE HARVESTER - YELLOW VERSION

## 02.27(01) "L.O.C." GEARBOX

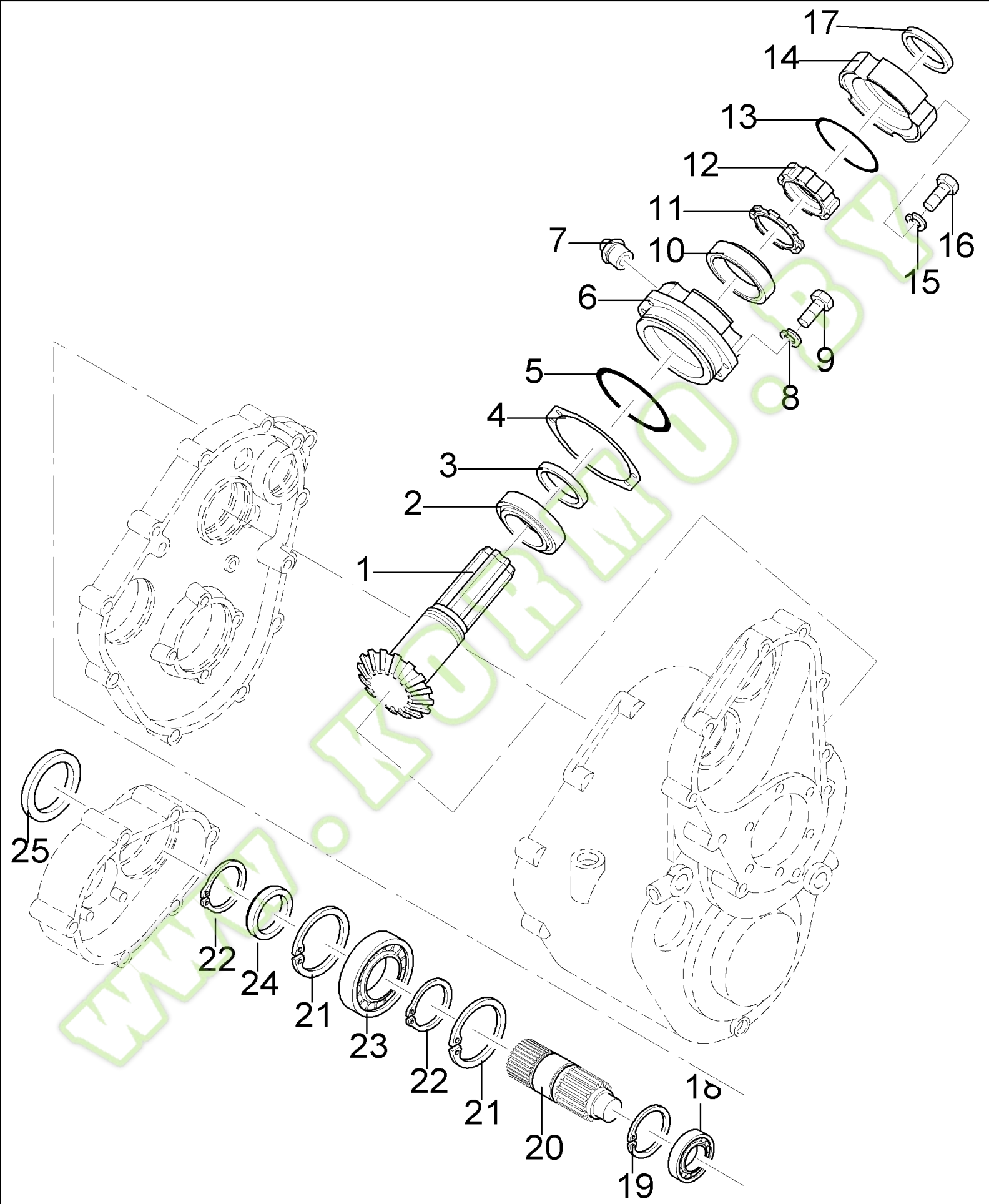
Ref	Part Number	Qty	Description
1	84032776	1	RING, OIL SCRAPER,
2	84043137	1	RING,
3	89811496	2	BEARING ASSY,
4	84045209	1	GEAR,
5	25953	2	BEARING, BALL, {PP:80025953}
6	84045205	1	GEAR,
7	80536263	1	RING, OIL SCRAPER,
8	370004	1	CIRCLIP, {PP:80370004}
9	89833500	1	SPACER,
10	84021871	1	O-RING,
11	323327	1	BEARING ASSY, {PP:80323327} , D1300-
11	80440400	1	BEARING ASSY, , -C0412
12	80300633	1	RING, SNAP,
13	84045208	1	SHAFT, , D1300-
13	89833496	1	SPINDLE, , -C0412
14	84021888	1	BEARING ASSY,
15	84045195	1	GEAR,
16	84045199	1	SHAFT,
17	84021890	1	BEARING ASSY,
18	370021	1	CIRCLIP, {PP:80370021} M85 x 3, Int,
19	84021882	1	BEARING ASSY,
20	370007	1	CIRCLIP, {PP:80370007}
21	84021870	1	O-RING,
22	89835063	1	COVER,
23	322358	4	WASHER, LOCK, {PP:80322358} Belleville, M8, 8MM
24	43128	4	SCREW, {PP:80043128} Hex, M8 x 30, 8.8, Cap, HH, CL 8.8, M8 x 1.25 x 30
25	84045206	1	GEAR,
26	330052	1	BEARING ASSY, {PP:80330052}
27	84045428	1	RING, OIL SCRAPER,
28	84032463	1	BUSHING,



## FX375 NH SELF PROPELLED FORAGE HARVESTER - YELLOW VERSION

## 02.28(01) "L.O.C." GEARBOX

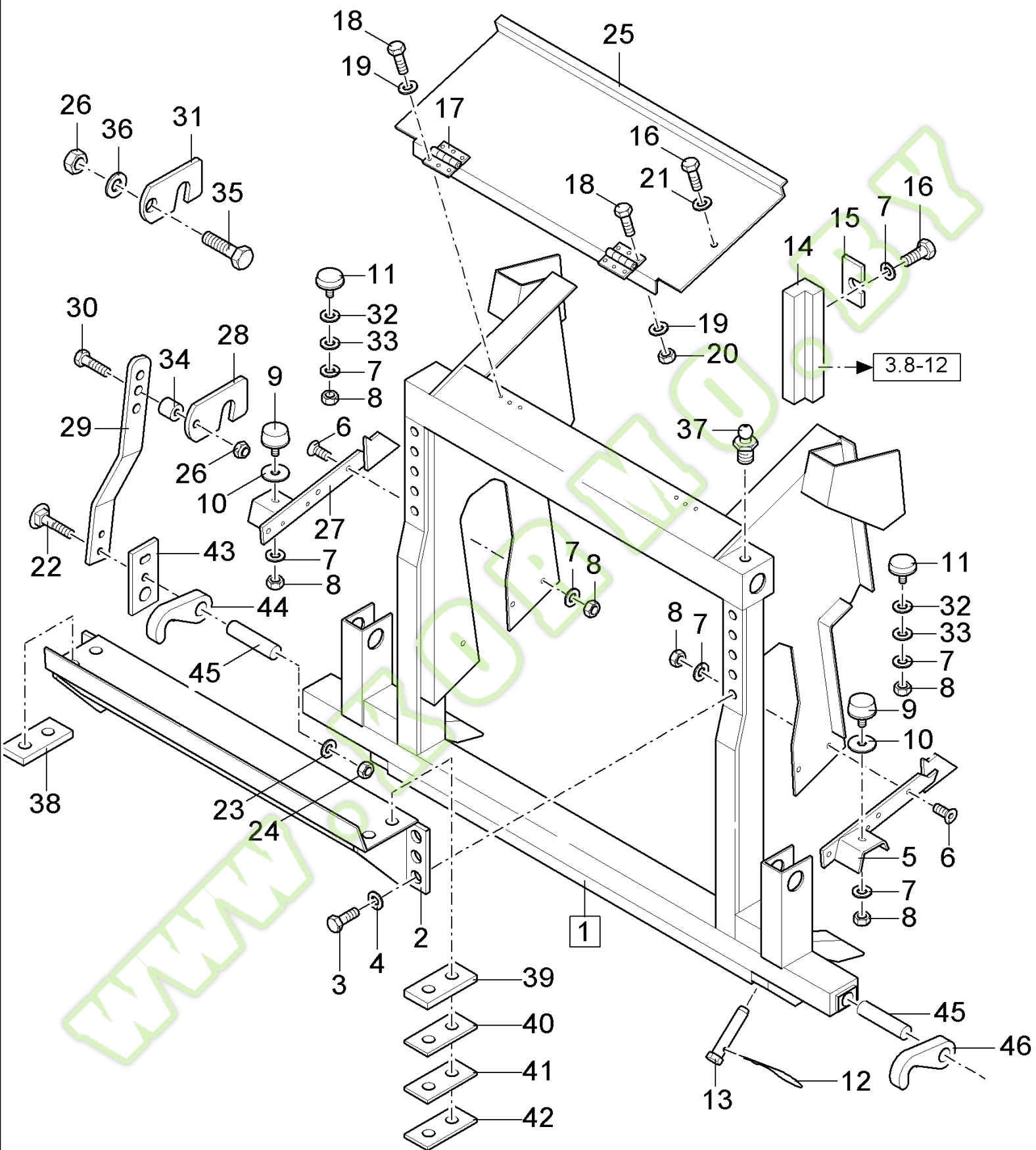
Ref	Part Number	Qty	Description
1	370006	1	CIRCLIP, {PP:80370006}
2	84021883	1	BEARING ASSY,
3	84045204	1	GEAR,
4	84032053	1	RING,
5	84021876	1	DISC,
6	89833502	2	SPACER,
7	84037449	1	SET OF CONN ROD BRGS U/S, (SET OF 3)
8	84045198	1	GEAR,
9	89833495	1	GEAR, RING,
10	84045197	1	GEAR,
11	89833498	1	SPINDLE,
12	437869	1	RING, {PP:80437869}
13	84037450	1	SET OF CONN ROD BRGS U/S, (SET OF 2)
14	84045196	1	GEAR,
15	84021875	1	DISC,
16	370008	3	CIRCLIP, {PP:80370008}
17	370013	1	RING, SNAP, {PP:80370013}
18	84021881	1	BEARING ASSY,
19	84021869	1	O-RING,
20	89833501	1	COVER,
21	80535911	1	GASKET,
22	322358	4	WASHER, LOCK, {PP:80322358} Belleville, M8, 8MM
23	43128	4	SCREW, {PP:80043128} Hex, M8 x 30, 8.8, Cap, HH, CL 8.8, M8 x 1.25 x 30
24	84031536	1	BEARING SET,



## FX375 NH SELF PROPELLED FORAGE HARVESTER - YELLOW VERSION

## 02.29(01) "L.O.C." GEARBOX

Ref	Part Number	Qty	Description
1	84045194	1	GEAR,
2	84021878	1	BEARING ASSY,
3	84045430	1	RING, OIL SCRAPER,
4	89833514	AR	PLATE, ADJUSTING, THK.:0.05
5	84021872	1	O-RING,
6	89833508	1	HOUSING, BEARING, , -C0413
6	84053361	1	HOUSING, BEARING, , D1400-
7	62161	1	NIPPLE, LUBE, {PP:80062161}
8	322358	4	WASHER, LOCK, {PP:80322358} Belleville, M8, 8MM
9	43128	4	SCREW, {PP:80043128} Hex, M8 x 30, 8.8, Cap, HH, CL 8.8, M8 x 1.25 x 30
10	84021877	1	BEARING ASSY,
11	382867	1	WASHER, LOCK, {PP:80382867}
12	850119	1	NUT, {PP:80850119}
13	84021867	1	O-RING,
14	89833509	1	COVER,
15	322357	4	WASHER, LOCK, {PP:80322357} Belleville, M6, Belleville, M6
16	80120102	4	SCREW, M6X40
17	84045424	1	RING, OIL SCRAPER,
18	89513023	1	BEARING ASSY,
19	370012	1	CIRCLIP, {PP:80370012}
20	84045201	1	GEAR,
21	370013	2	RING, SNAP, {PP:80370013}
22	370008	2	CIRCLIP, {PP:80370008}
23	84021881	1	BEARING ASSY,
24	84005664	1	RING,
25	536079	1	ELEMENT, SEALING, {PP:80536079}



## FX375 NH SELF PROPELLED FORAGE HARVESTER - YELLOW VERSION

## 03.01(01) FRAME UPPER FEEDROLLS

Ref	Part Number	Qty	Description
1	89835566	1	FRAME, (43 TO 46)
2	84015428	1	SUPPORT,
3	9512573	6	SCREW, {PP:89512573} Hex, M20 x 40, 10.9, M20X40
4	322359	6	WASHER, LOCK, {PP:80322359} Belleville, M20,
5	89850511	1	SUPPORT,
6	120030	6	SCREW, {PP:80120030} Hex Flat Hd, M10 x 30, 4.8, M10X30
7	140045	14	WASHER, LOCK, {PP:80140045} Belleville, M10, 10MM
8	100016	10	NUT, {PP:80100016} M10, CI 8, M10
9	190029	2	INSULATOR BLOCK, {PP:80190029} , -C5044
10	84012678	2	WASHER, , -C0408
11	190029	2	INSULATOR BLOCK, {PP:80190029} , D0900-
11	84012679	2	INSULATOR BLOCK, , -C0408
12	86511448	2	PIN, SPLIT (COTTER), , -C0405
12	9832679	2	PIN, SPLIT (COTTER), {PP:89832679} , D0600-
13	84026700	2	PIN, , D0600-
13	89850908	2	PIN, , -C0405
14	84043722	2	BAR,
15	84037453	AR	PLATE, ADJUSTING,
17	86529373	2	HINGE, , -C0405
17	9833212	2	HINGE, {PP:89833212} , D0600-
18	80120099	12	SCREW, Hex, M6 x 16, 8.8, M6 X 16
19	322357	12	WASHER, LOCK, {PP:80322357} Belleville, M6, Belleville, M6
20	9706755	6	NUT, {PP:89706755} M6, CI 8, M6
21	306506	2	WASHER, {PP:80306506} , D1000-
21	394629	2	WASHER, LOCK, {PP:80394629} , -C0409
22	328754	2	BOLT, {PP:80328754} Short NK, M12 x 40, CI8.8, Full Thd, M12 X 40
23	140046	2	WASHER, LOCK, {PP:80140046} Belleville, M12, 12MM
24	337475	2	NUT, {PP:80337475} M12, CI 10, M12
25	89835694	1	PLATE,
26	100038	1	NUT, LOCK, {PP:80100038} M12 x 1.75, CI 8, M12
27	89850512	1	SUPPORT,
28	84019908	1	SUPPORT, , -C0404
29	84021162	1	LEVER, , -C0412
29	84042011	1	LEVER, , D1300-
30	120083	1	SCREW, {PP:80120083} Hex, M12 x 70, 8.8, M12X70, -C0404
31	84023190	2	SUPPORT, , -C0512
31	84023191	1	SUPPORT, , D1300-
32	456935	2	WASHER, {PP:80456935} , D0900-
33	140198	2	WASHER, {PP:80140198} , D0900-
34	89502115	1	BUSHING, , -C1313
35	300502	1	SCREW, {PP:80300502} Hex Soc Flat Hd, M12 x 40, 8.8, M12X40, D1300-
36	378245	1	WASHER, {PP:80378245} , D1300-
37	412014	2	NIPPLE, LUBE, {PP:80412014}
38	84058175	2	PLATE, THK.:6MM, D5083-
39	84058178	2	SHIM, THK.:2MM, D5083-

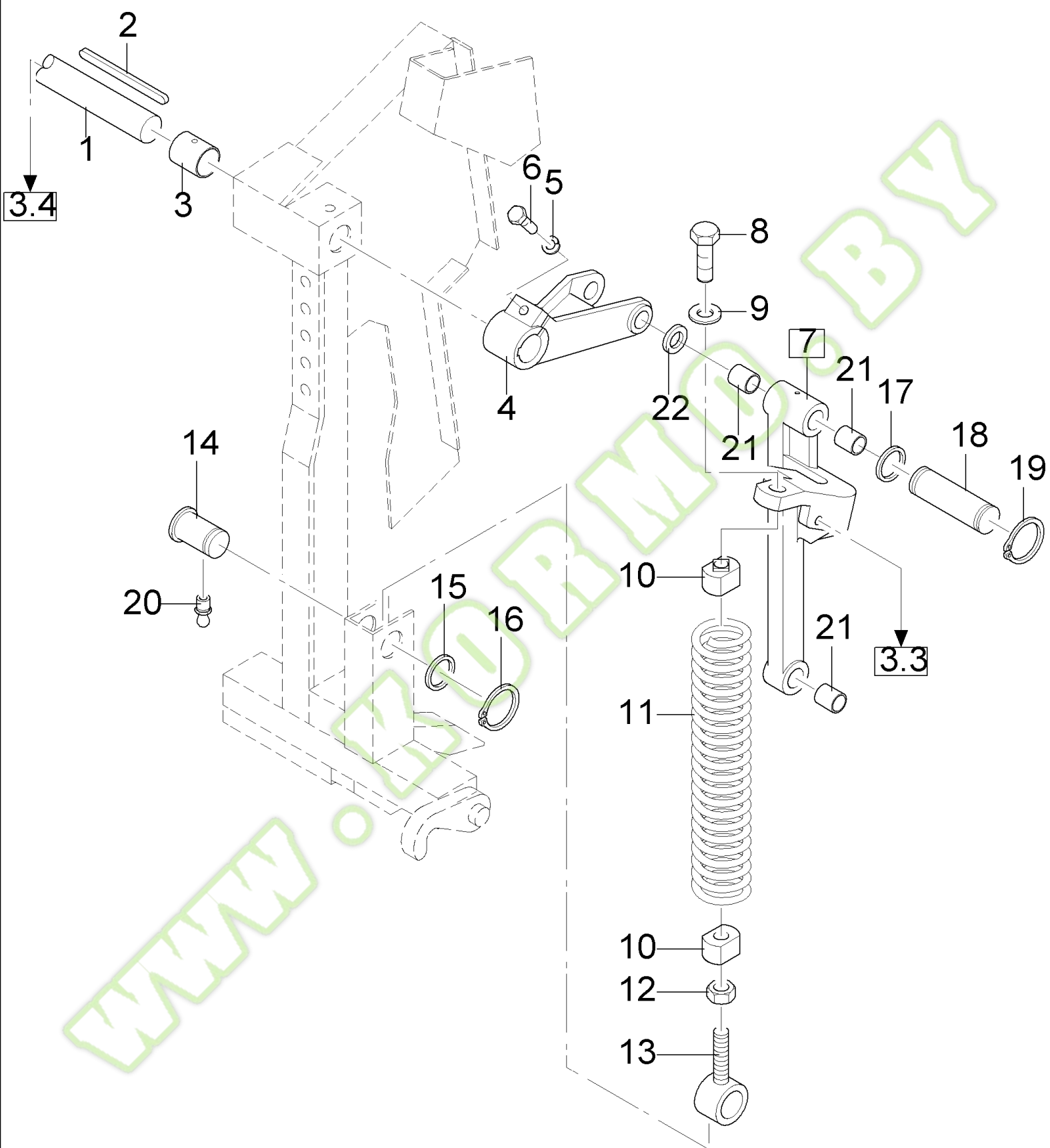
## FX375 NH SELF PROPELLED FORAGE HARVESTER - YELLOW VERSION

## 03.01(01) FRAME UPPER FEEDROLLS

Ref	Part Number	Qty	Description
40	84058177	2	SHIM, THK.:3MM, D5083-
41	84058179	2	SHIM, THK.:0.5MM, D5083-
42	84058180	2	SHIM, THK.:1MM, D5083-
43	84042009	1	PLATE, , WELDED PARTS
44	84031023	1	HOOK, RH, WELDED PARTS
45	89835510	1	SHAFT, , WELDED PARTS
46	89835508	1	HOOK, LH, WELDED PARTS
16	120109	6	SCREW, {PP:80120109} Hex, M10 x 20, 8.8, Full Thd, M10 X 20

WWW.KORMO.BY

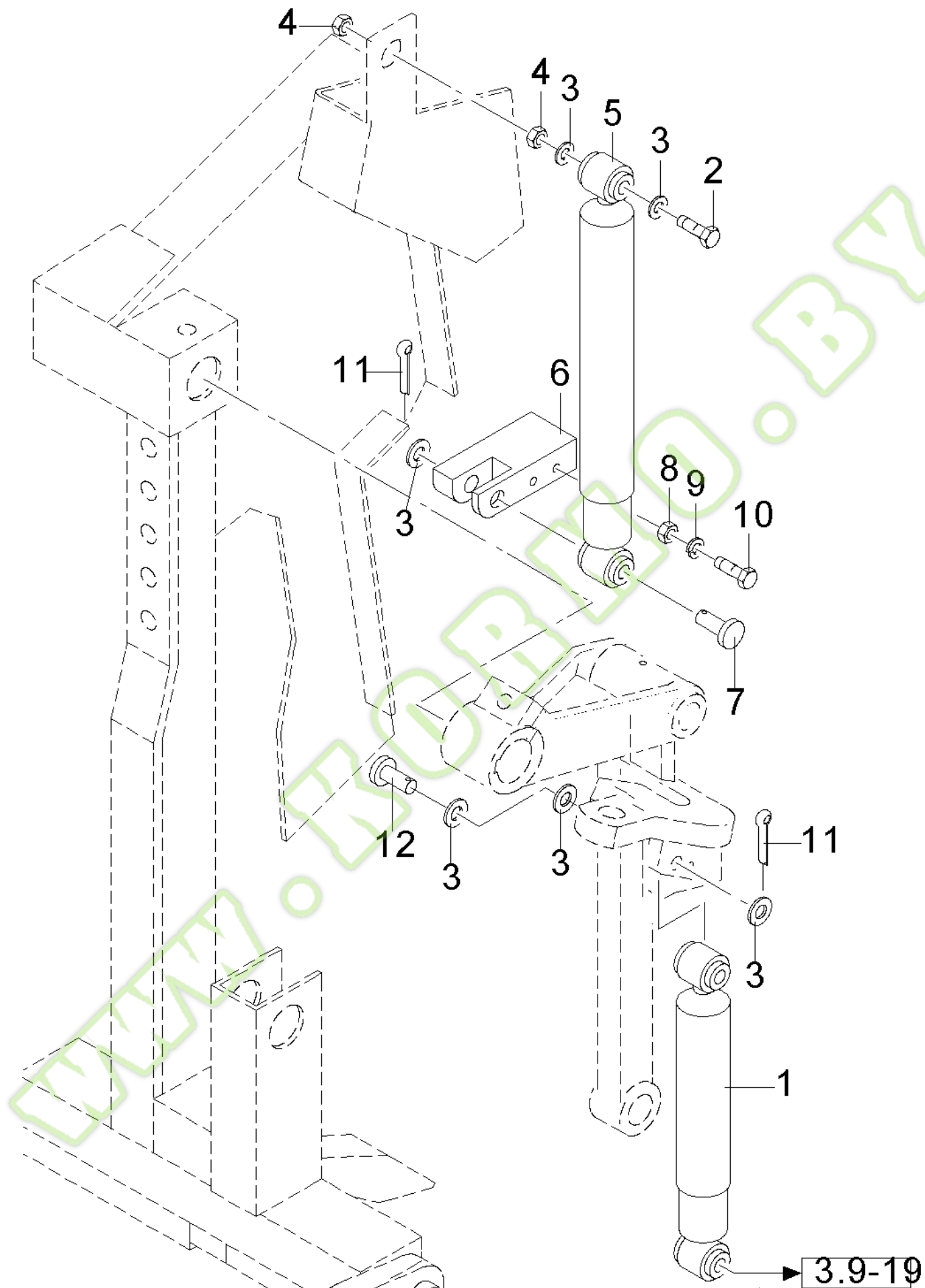




## FX375 NH SELF PROPELLED FORAGE HARVESTER - YELLOW VERSION

## 03.02(01) UPPER FEEDROLLS: SPRING ASSEMBLY, LH

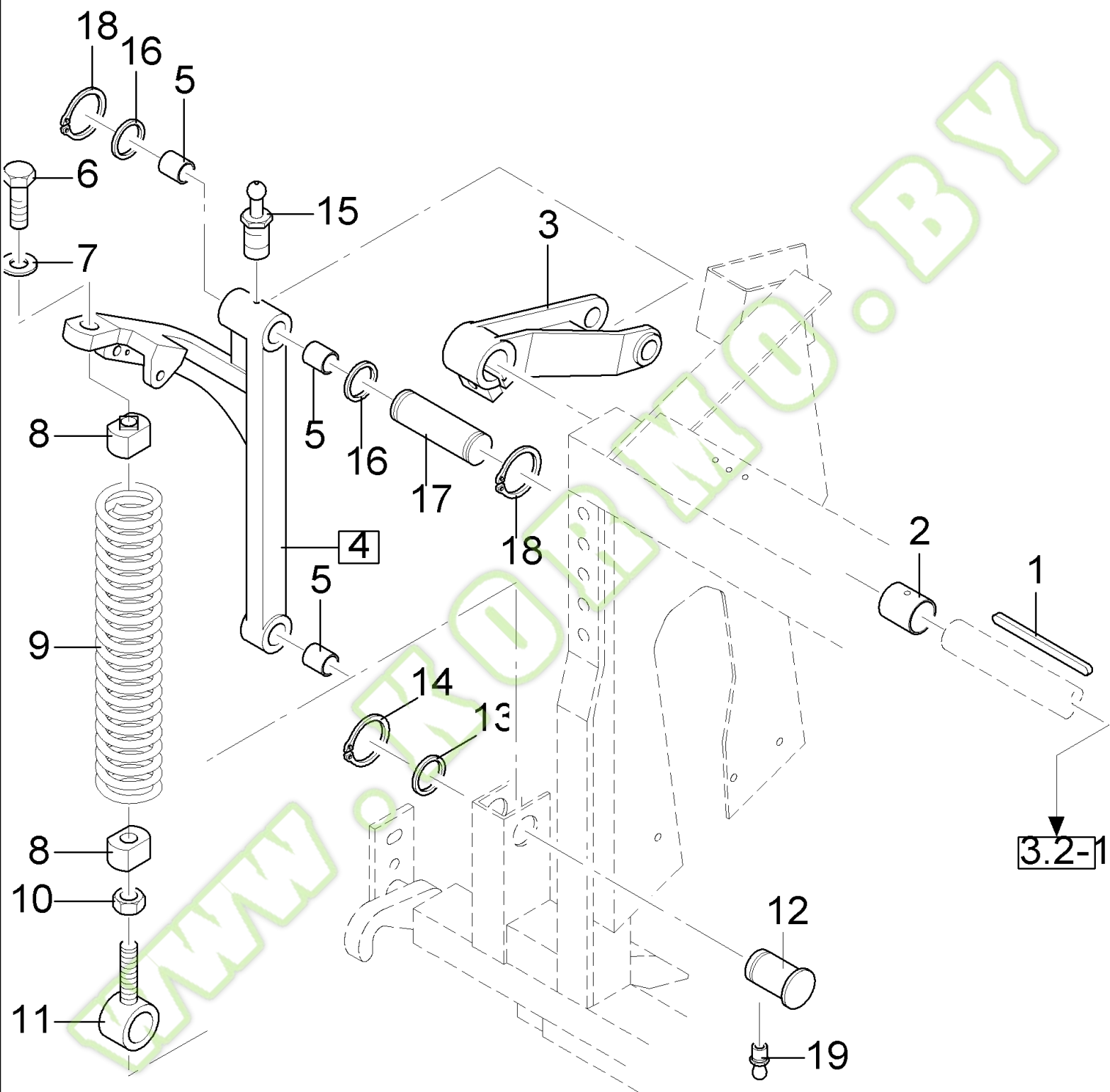
Ref	Part Number	Qty	Description
1	84036580	1	SHAFT,
2	170055	1	KEY, {PP:80170055}
3	80397205	1	BEARING ASSY,
4	84032940	1	LEVER,
5	140046	1	WASHER, LOCK, {PP:80140046} Belleville, M12,
6	120122	1	SCREW, {PP:80120122} Hex, M12 x 50, 8.8, Full Thd, M12X45
7	84045470	1	LEVER, (21)
8	89835096	1	SCREW, M20X240
9	322359	1	WASHER, LOCK, {PP:80322359} Belleville, M20,
10	84041800	2	NUT, M20
11	84015297	1	SPRING,
13	89835006	1	BOLT, BANJO,
14	84004261	1	PIN,
15	84021217	AR	WASHER,
16	370006	1	CIRCLIP, {PP:80370006}
17	356526	AR	WASHER, {PP:80356526}
18	84036582	1	PIN,
19	80370002	1	CIRCLIP, 25X1.2
20	323713	1	NIPPLE, LUBE, {PP:80323713} , D1000-
21	420760	3	BUSHING, {PP:80420760}
22	84061767	8	WASHER, , D5065-
12	100023	1	NUT, {PP:80100023} M20, CI 8, M20



## FX375 NH SELF PROPELLED FORAGE HARVESTER - YELLOW VERSION

## 03.03(01) UPPER FEEDROLLS: SHOCK ABSORBER, LH

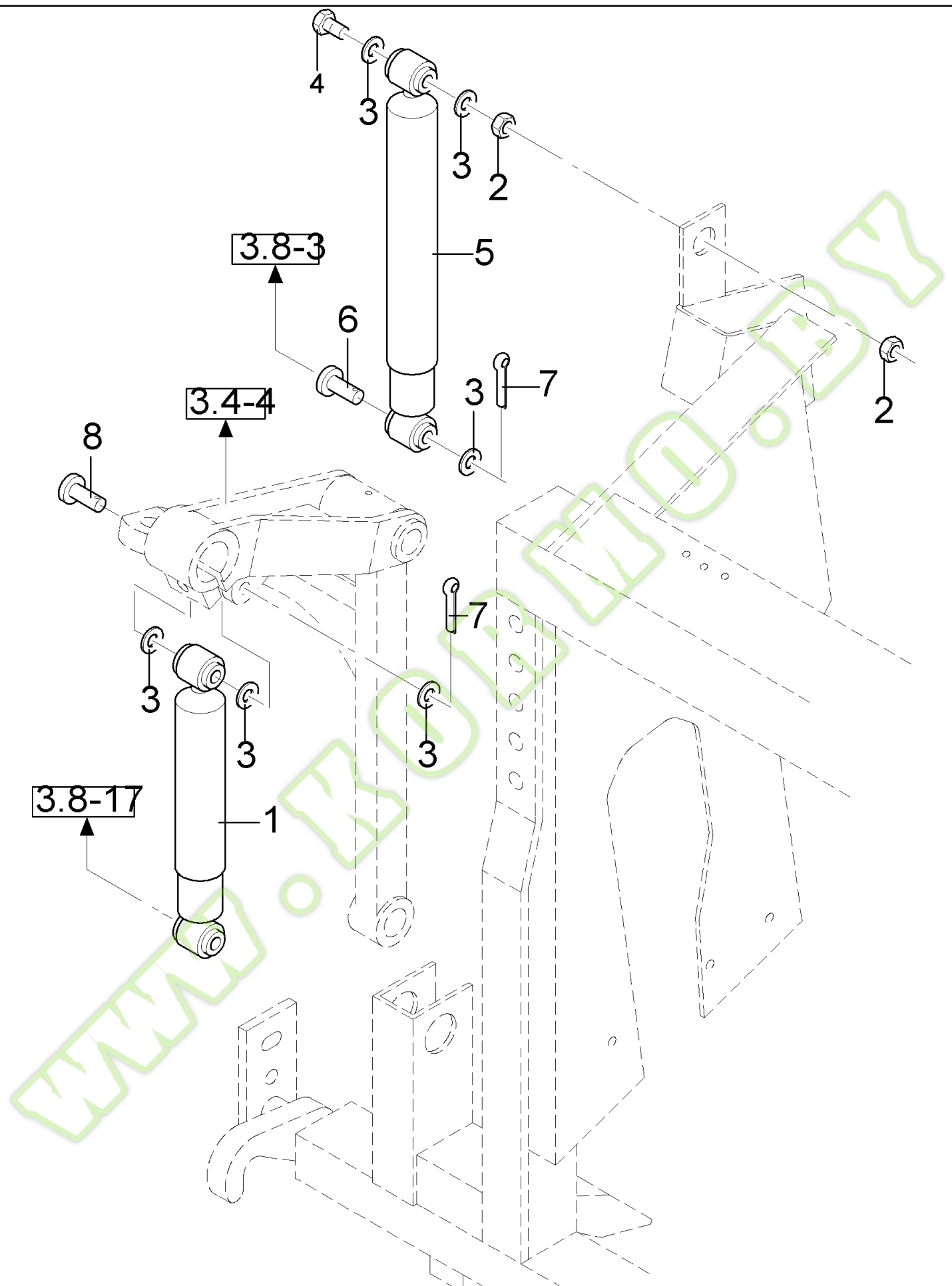
Ref	Part Number	Qty	Description
1	84036789	1	DAMPER,
2	120083	2	SCREW, {PP:80120083} Hex, M12 x 70, 8.8, M12X70, -C0412
2	84039337	2	SCREW, M12X70, D1300-
3	378245	7	WASHER, {PP:80378245}
4	337475	2	NUT, {PP:80337475} M12, CI 10, M12
5	84036788	1	DAMPER,
6	84036818	1	SUPPORT, , -C0413
6	84045925	1	SUPPORT, , D1400-
7	412601	1	SPINDLE, {PP:80412601} , D1400-
8	100015	2	NUT, {PP:80100015} M8, CI 8, M8
9	322358	2	WASHER, LOCK, {PP:80322358} Belleville, M8,
10	120060	2	SCREW, {PP:80120060} Hex, M8 x 50, 8.8, M8X50, -C0413
10	412619	2	BOLT, {PP:80412619} Hex, M8 x 60, 12.9, M8X50, D1400-
11	130005	2	PIN, SPLIT (COTTER), {PP:80130005} M3.2 x 32, , D1400-
12	84045510	1	PIN, , D1400-



## FX375 NH SELF PROPELLED FORAGE HARVESTER - YELLOW VERSION

## 03.04(01) UPPER FEEDROLLS: SPRING ASSEMBLY, RH

Ref	Part Number	Qty	Description
1	170017	1	KEY, {PP:80170017} , -C0408
1	170055	1	KEY, {PP:80170055} , D0900-
2	80397205	1	BEARING ASSY,
3	84032940	1	LEVER,
4	84045471	1	LEVER, (5)
5	420760	3	BUSHING, {PP:80420760}
6	89835096	1	SCREW, M20X240
7	322359	1	WASHER, LOCK, {PP:80322359} Belleville, M20,
8	84041800	2	NUT, M20
9	84015297	1	SPRING,
11	89835006	1	BOLT, BANJO,
12	84004261	1	PIN,
13	84021217	AR	WASHER,
14	370006	1	CIRCLIP, {PP:80370006}
15	321204	1	NIPPLE, LUBE, {PP:80321204}
16	356526	AR	WASHER, {PP:80356526}
17	84036582	1	PIN,
18	80370002	2	CIRCLIP, 25X1.2
19	323713	1	NIPPLE, LUBE, {PP:80323713} , D1000-
10	100023	1	NUT, {PP:80100023} M20, CI 8, M20



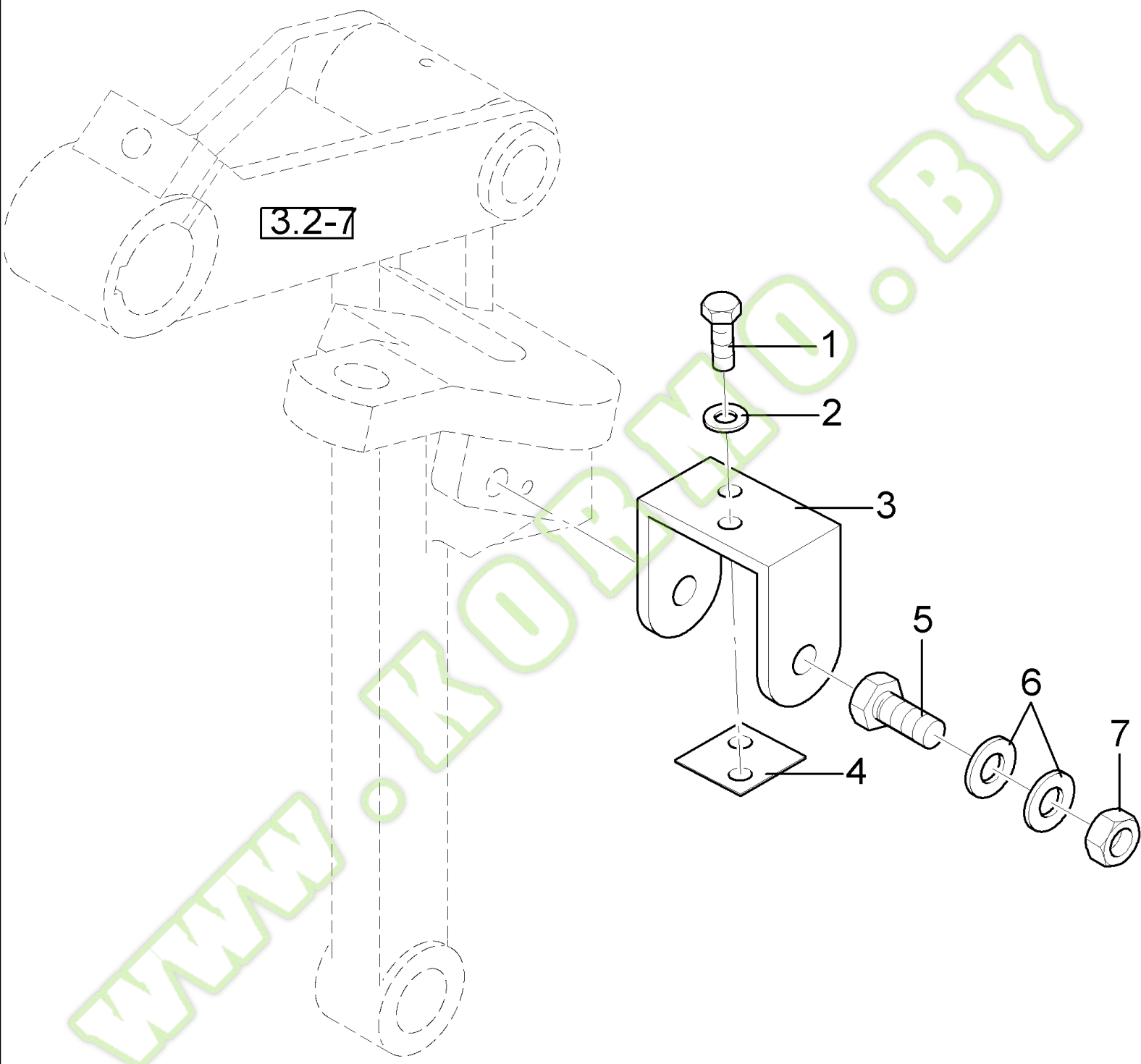
## FX375 NH SELF PROPELLED FORAGE HARVESTER - YELLOW VERSION

## 03.05(01) UPPER FEEDROLLS: SHOCK ABSORBER, RH

Ref	Part Number	Qty	Description
1	84036789	1	DAMPER,
2	337475	2	NUT, {PP:80337475} M12, CI 10, M12
3	378245	AR	WASHER, {PP:80378245}
4	120083	AR	SCREW, {PP:80120083} Hex, M12 x 70, 8.8, M12X70, -C0412
4	84039337	AR	SCREW, M12X70, D1300-
5	84036788	1	DAMPER,
6	84045619	1	PIN, , D1400-
7	130005	7	PIN, SPLIT (COTTER), {PP:80130005} M3.2 x 32, , D1400-
8	84045510	1	PIN, , D1400-

WWW.KORMO.BY





## FX375 NH SELF PROPELLED FORAGE HARVESTER - YELLOW VERSION

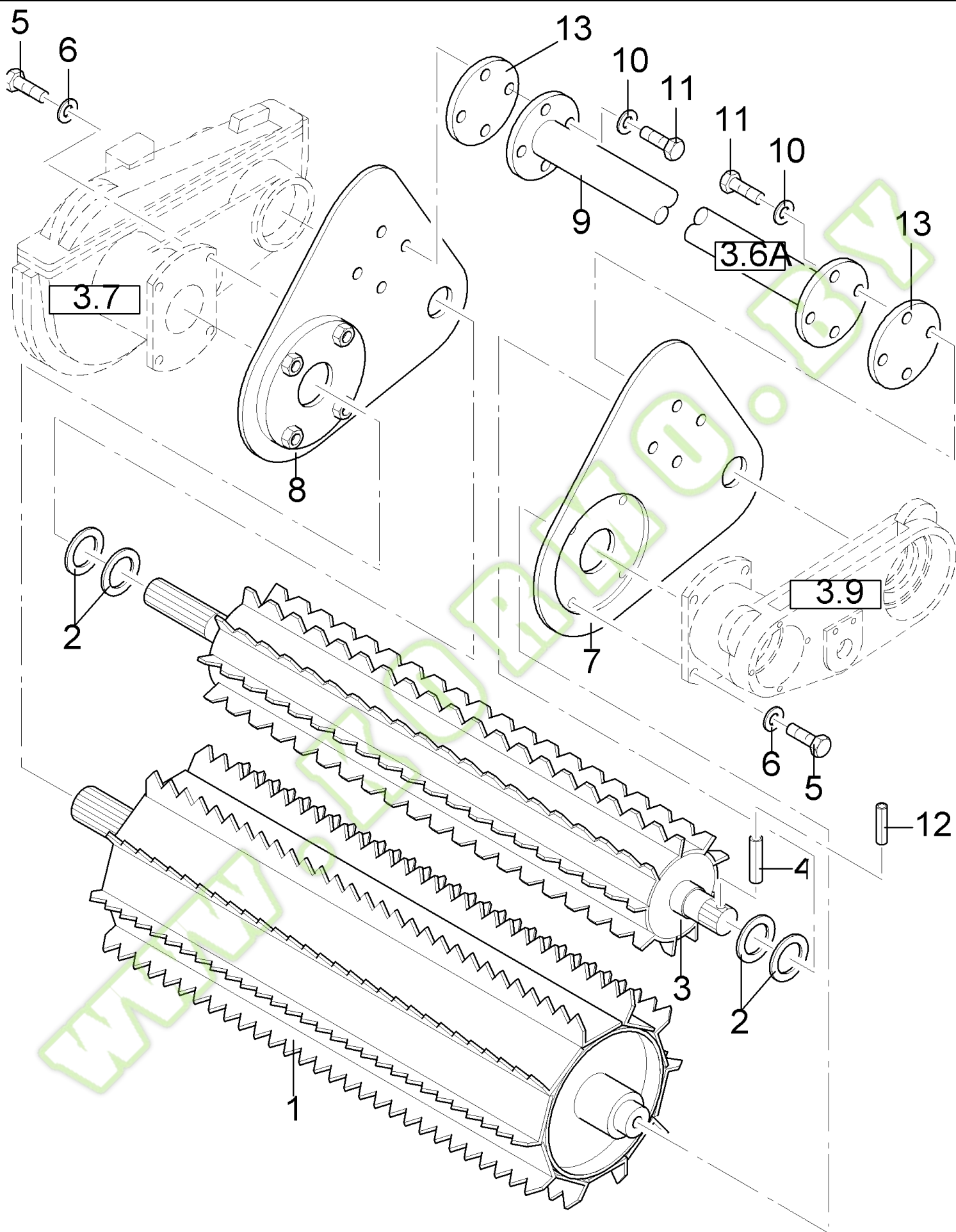
## 03.05A(01) DAMPER: SUPPORT

Ref	Part Number	Qty	Description
1	43128	4	SCREW, {PP:80043128} Hex, M8 x 30, 8.8, Cap, HH, CL 8.8, M8 x 1.25 x 30
2	322358	4	WASHER, LOCK, {PP:80322358} Belleville, M8, 8MM
3	84045416	2	SUPPORT,
4	84045867	10	PLATE, COVER,
5	120084	2	SCREW, {PP:80120084} Hex, M12 x 80, 8.8, M12X80
6	378245	6	WASHER, {PP:80378245} 12MM
7	323238	2	NUT, {PP:80323238} Thin, M12 x 1.75, CI 05, M12

WWW.KORMO.BY

ONLY VALID BETWEEN SERIAL NO. --09001 AND --13999

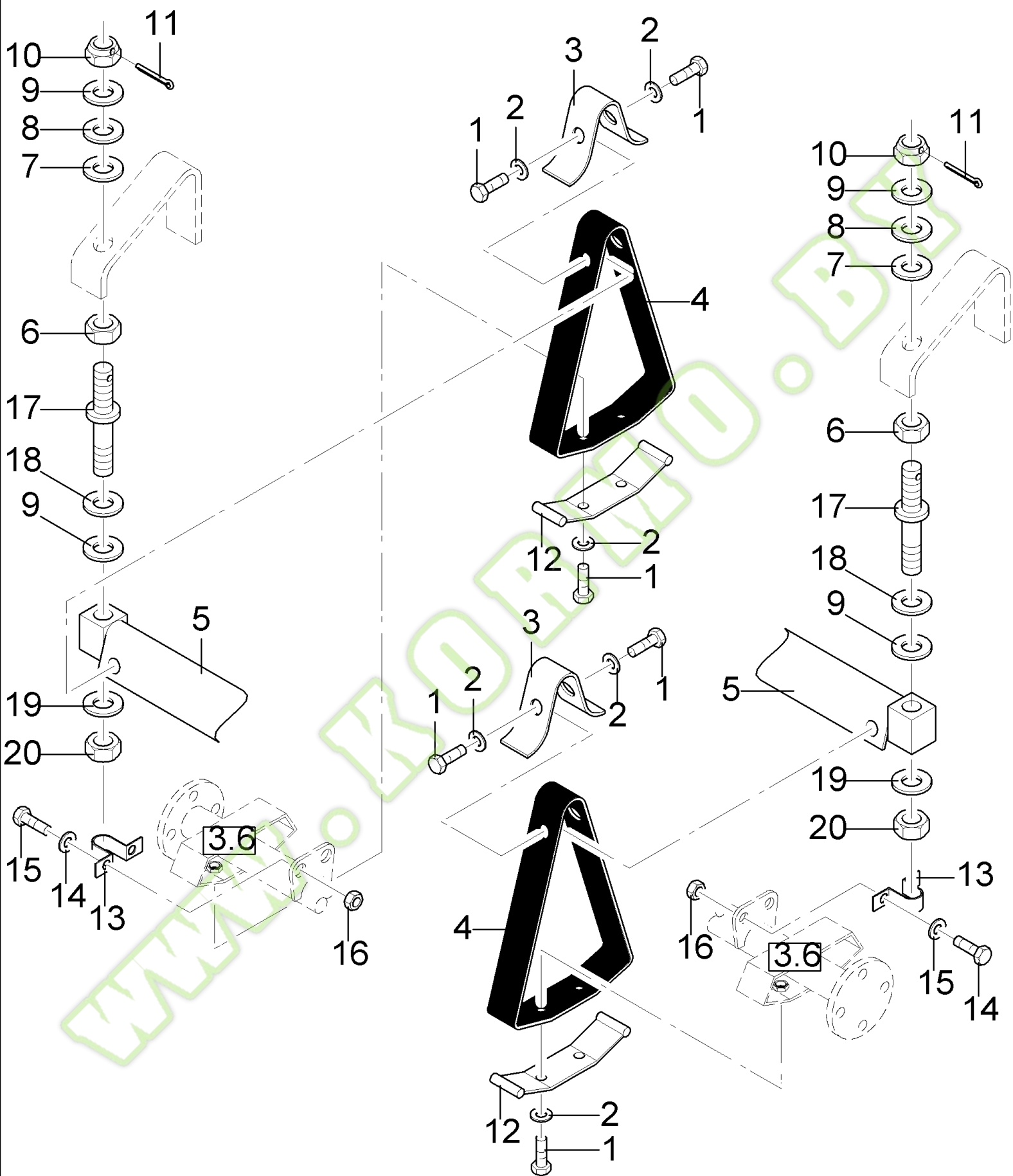




## FX375 NH SELF PROPELLED FORAGE HARVESTER - YELLOW VERSION

## 03.06(01) UPPER FEEDROLLS

Ref	Part Number	Qty	Description
1	84004139	1	ROLLER,
2	140061	4	WASHER, {PP:80140061}
3	84004141	1	ROLLER, FEED,
4	412202	1	PIN, {PP:80412202} M8 x 65, Slotted,
5	80120104	8	SCREW, M8X20, -C5047
6	322358	8	WASHER, LOCK, {PP:80322358} Belleville, M8, 8MM, -C5047
6	140045	8	WASHER, LOCK, {PP:80140045} Belleville, M10, 10MM, D5048-
7	84038882	1	SUPPORT, , -C5047
7	84069068	1	SUPPORT, , D5048-
8	84038881	1	SUPPORT, , -C5047
8	84069069	1	SUPPORT, , D5048-
9	84021290	1	SUPPORT, , -C5044
9	84053252	1	SUPPORT, , D5045-
10	140045	8	WASHER, LOCK, {PP:80140045} Belleville, M10, 10MM
11	43139	8	SCREW, {PP:80043139} Hex, M10 x 25, 8.8, Full Thd, M10X25
12	9823343	1	PIN, ROLL, {PP:89823343} M5 x 65, Slotted,
13	84037346	AR	PLATE, , D0900-
5	120109	8	SCREW, {PP:80120109} Hex, M10 x 20, 8.8, Full Thd, M10X20, D5048-

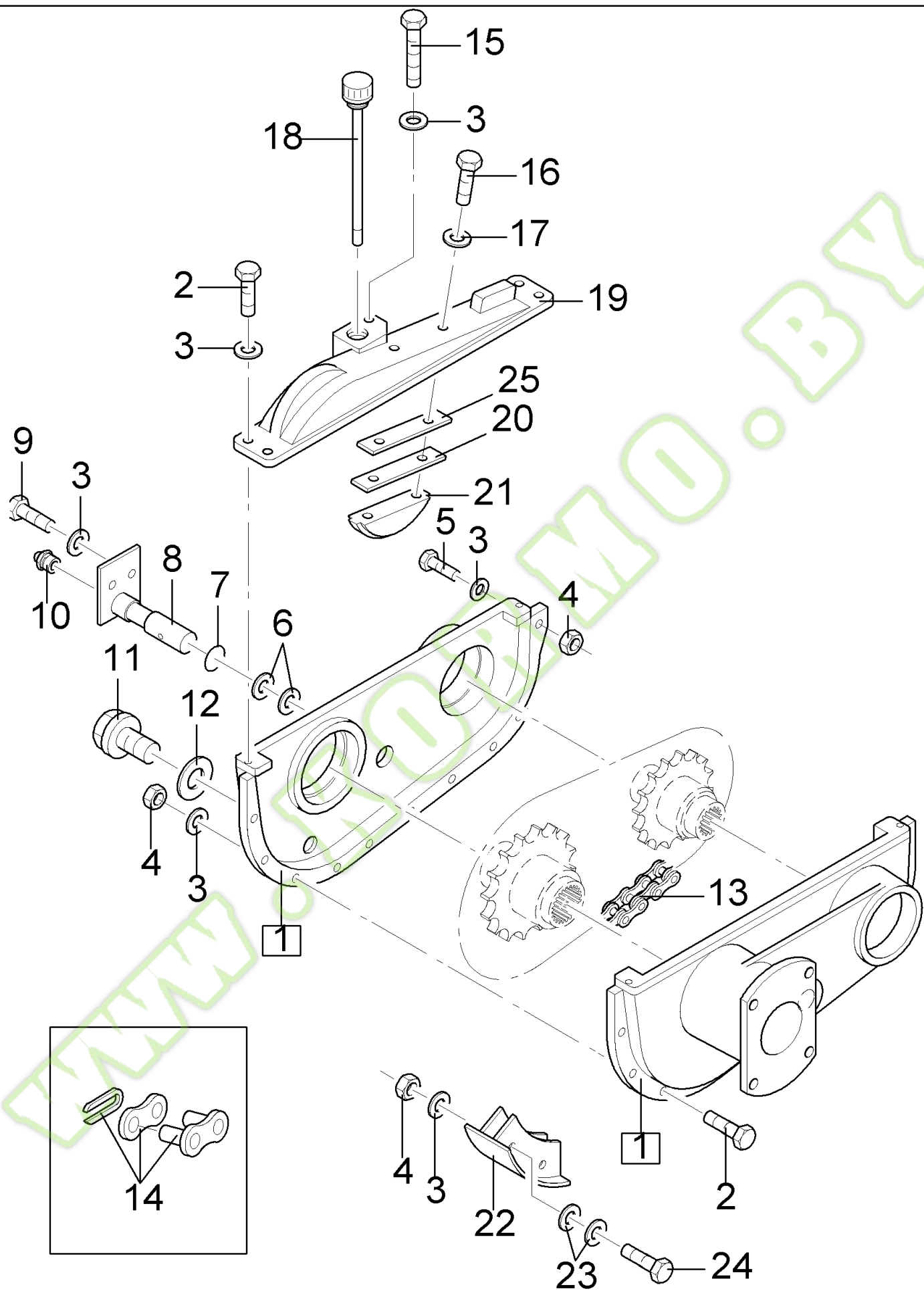


## FX375 NH SELF PROPELLED FORAGE HARVESTER - YELLOW VERSION

## 03.06A(01) UPPER FEEDROLLS, SUSPENSION

Ref	Part Number	Qty	Description
1	412433	AR	SCREW, {PP:80412433} Hex Lock, M10 x 30, 8.8, , -C5056
1	449532	AR	SCREW, {PP:80449532} Hex Lock, M10 x 25, 8.8, , D5057-
2	140045	AR	WASHER, LOCK, {PP:80140045} Belleville, M10,
3	84038791	1	SUPPORT,
4	84058132	1	RUBBER BAND,
5	84045269	1	SUPPORT,
6	320771	2	NUT, {PP:80320771} Thin, M20 x 1.5, CI 04, M20 x 1.5
7	378247	AR	WASHER, {PP:80378247} 20MM
8	395901	AR	WASHER, {PP:80395901}
9	140094	AR	WASHER, {PP:80140094}
10	412144	2	SLOTTED NUT, {PP:80412144} M20 x 1.5, CI 8, M20 x 1.5
11	300595	2	PIN, SPLIT (COTTER), {PP:80300595} M4 x 40,
12	84056653	2	SUPPORT,
13	84056174	2	BRACKET,
14	80120104	4	SCREW, M8 x 20
15	322358	4	WASHER, LOCK, {PP:80322358} Belleville, M8, 8MM
16	100015	4	NUT, {PP:80100015} M8, CI 8, M8
17	84056717	2	PIN,
18	425971	2	WASHER, {PP:80425971}
19	394632	2	WASHER, {PP:80394632} M10 x 28 x 4, HT,
20	100085	2	NUT, {PP:80100085} M20 x 1.5, CI 8,

03.07(01) UPPER FEEDROLLS: DRIVE

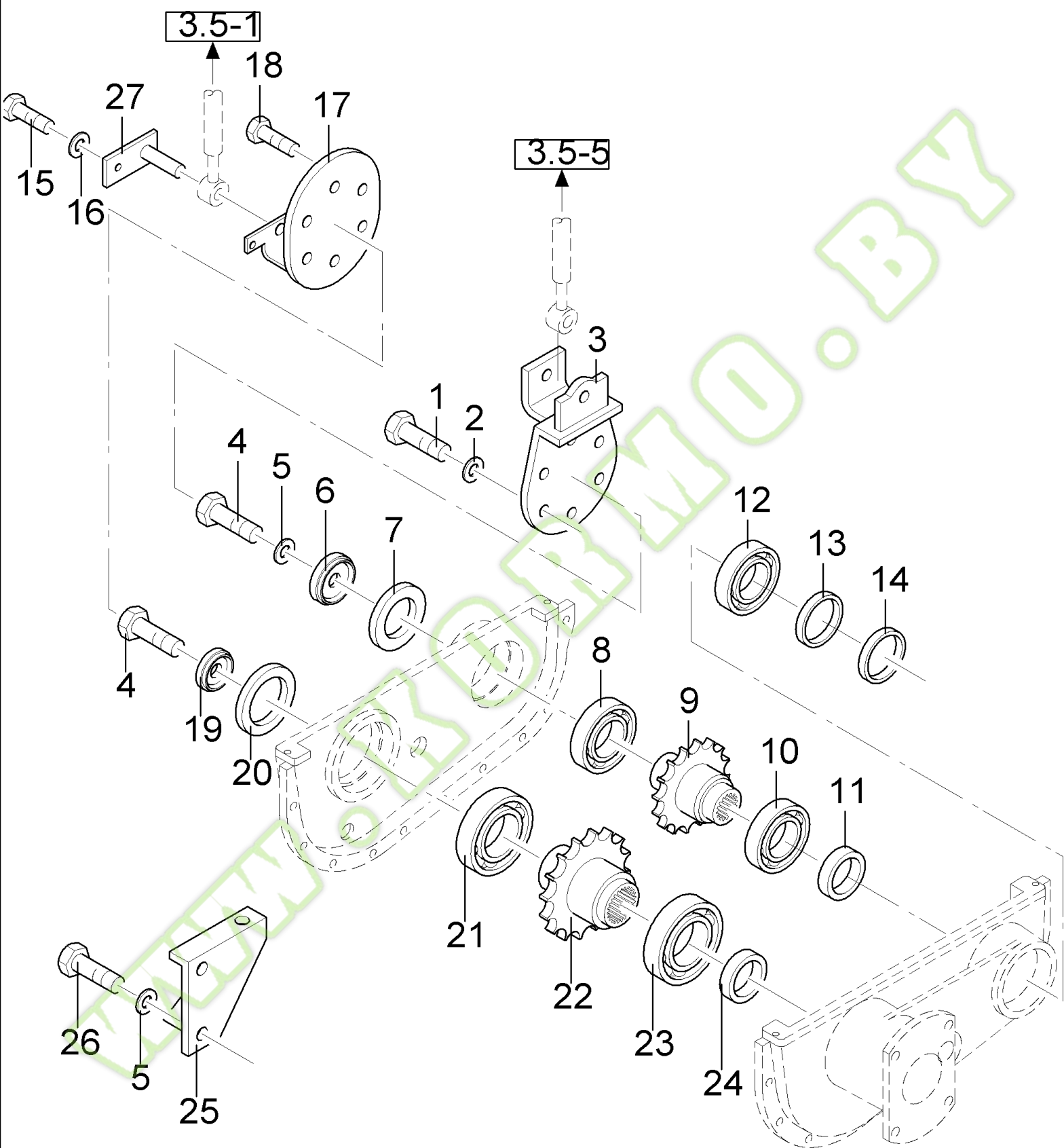


## FX375 NH SELF PROPELLED FORAGE HARVESTER - YELLOW VERSION

## 03.07(01) UPPER FEEDROLLS: DRIVE

Ref	Part Number	Qty	Description
1	84036736	1	HOUSING, (2 TO 5), -C5047
1	84068330	1	HOUSING, (2 TO 5), D5048-
2	43128	14	SCREW, {PP:80043128} Hex, M8 x 30, 8.8, Cap, HH, CL 8.8, M8 x 1.25 x 30
3	322358	AR	WASHER, LOCK, {PP:80322358} Belleville, M8, 8MM
4	100015	14	NUT, {PP:80100015} M8, CI 8, M8
5	84000985	2	SCREW, Hex, M8 x 35, 10.9, Full Thd, M8X9
6	356526	AR	WASHER, {PP:80356526}
7	27286	2	O-RING, {PP:80027286} -214, 70 Duro, .984" ID x .139" Thk,
8	84000297	1	PIN,
9	80120104	2	SCREW, M8X20
10	321204	1	NIPPLE, LUBE, {PP:80321204}
11	150060	1	PLUG, {PP:80150060}
12	220122	1	GASKET, {PP:80220122}
13	84031780	1	CHAIN, (14)
14	9811888	AR	LINK, CHAIN, {PP:89811888}
15	120062	1	SCREW, {PP:80120062} Hex, M8 x 70, 8.8, M8X70
16	43140	2	BOLT, {PP:80043140} Hex, M10 x 30, 8.8, M10X30
17	140045	2	WASHER, LOCK, {PP:80140045} Belleville, M10, 10MM
18	84004177	1	INDICATOR,
19	84000992	1	COVER,
20	84037494	AR	PLATE, , D0900-
20	89850552	AR	BRACKET, , -C0408
21	89850551	1	GUIDE,
22	84036621	1	SUPPORT, , -C5044
23	140076	2	WASHER, {PP:80140076}
24	120106	2	SCREW, {PP:80120106} Hex, M8 x 40, 8.8, Full Thd, Hex, M8 x 40, 8.8, Full Thd
25	84037495	AR	PLATE, , D0900-

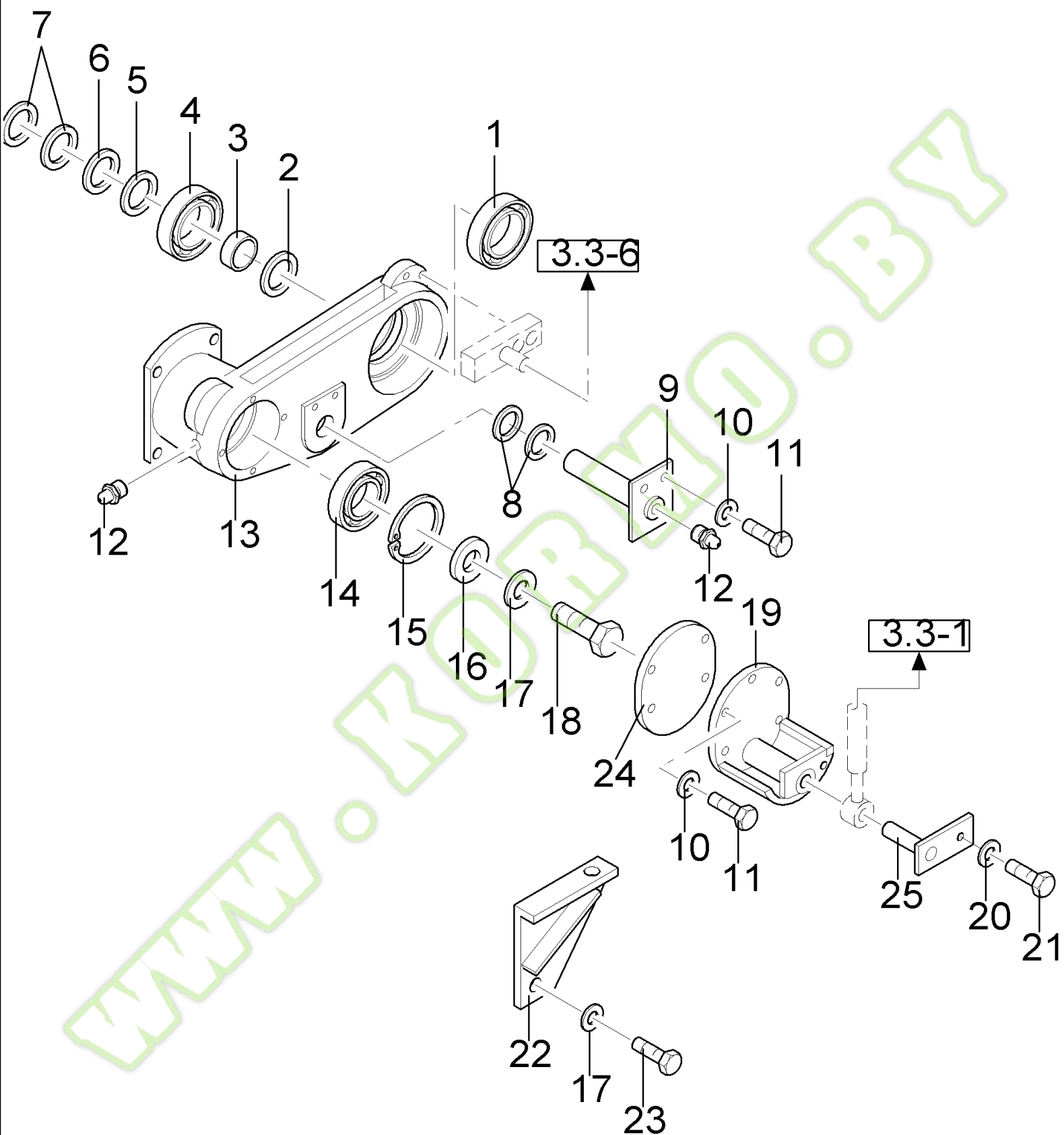




## FX375 NH SELF PROPELLED FORAGE HARVESTER - YELLOW VERSION

## 03.08(01) UPPER FEEDROLLS: DRIVE

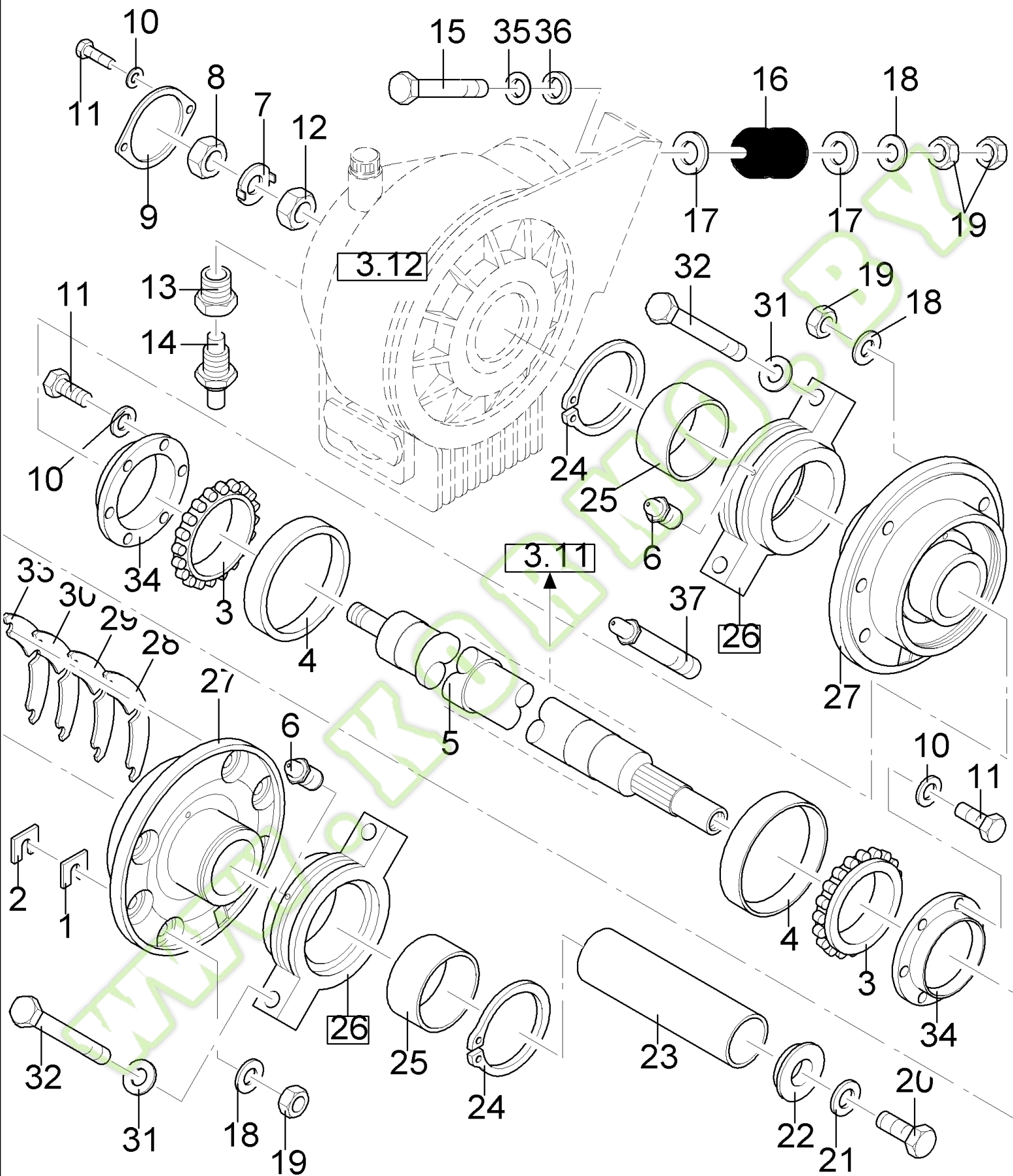
Ref	Part Number	Qty	Description
1	80120104	4	SCREW, M8X20
2	322358	4	WASHER, LOCK, {PP:80322358} Belleville, M8,
3	84036773	1	BRACKET, , -C0413
3	84045621	1	SUPPORT, , D1400-
4	80120256	2	SCREW, M16X35
5	140048	1	WASHER, LOCK, {PP:80140048} Belleville, M16, 16MM
6	84004154	1	SPACER,
7	80535911	1	GASKET,
8	37198	1	BEARING, BALL, {PP:80037198}
9	84004158	1	SPROCKET, DRIVEN,
10	44936	1	BEARING ASSY, {PP:80044936}
11	84036396	1	BUSHING,
12	84000262	1	ROLLER,
13	140119	1	WASHER, {PP:80140119}
14	84036395	1	WASHER,
15	80120099	1	SCREW, Hex, M6 x 16, 8.8, M6X16
16	322357	1	WASHER, LOCK, {PP:80322357} Belleville, M6, Belleville, M6
17	84036624	1	SUPPORT, , -C0413
17	84045652	1	SUPPORT, , D1400-
18	412495	6	SCREW, {PP:80412495} Hex Soc Flat Hd, M8 x 20, 8.8, M8X20
19	84004153	1	SPACER,
26	120126	2	SCREW, {PP:80120126} Hex, M16 x 30, 8.8, Full Thd, Hex, M16 x 30, 8.8, Full Thd
20	552118	1	GASKET, {PP:80552118}
21	84015302	1	BEARING ASSY, , -C5044
21	9825886	1	BEARING ASSY, {PP:89825886} , D5045-
22	84004156	1	SPROCKET, DRIVEN,
23	84004206	1	BEARING ASSY,
24	89833276	1	SPACER,
25	84036674	1	SUPPORT, , D5044-
27	84045612	1	PIN, , D1400-



## FX375 NH SELF PROPELLED FORAGE HARVESTER - YELLOW VERSION

## 03.09(01) UPPER FEEDROLLS: DRIVE

Ref	Part Number	Qty	Description
1	84023039	1	BEARING ASSY, , -C0412
1	89811496	1	BEARING ASSY, , D1300-
2	84017436	AR	PLATE, ADJUSTING,
3	84036394	1	BUSHING,
4	84000262	1	ROLLER,
5	140119	1	WASHER, {PP:80140119}
6	84036395	1	WASHER,
7	140061	4	WASHER, {PP:80140061}
8	356526	AR	WASHER, {PP:80356526}
9	84000299	1	PIN,
10	322358	4	WASHER, LOCK, {PP:80322358} Belleville, M8, 8MM
11	80120104	6	SCREW, M8X20
12	321204	2	NIPPLE, LUBE, {PP:80321204}
13	84036667	1	HUB, , -C0412
13	84043068	1	HUB, , -C1347
13	84056358	1	HUB, , D5048-
14	84015520	1	BEARING ASSY, , -C5044
14	278913	1	BEARING ASSY, {PP:80278913} , D5044-
15	80300633	1	RING, SNAP,
16	80410228	1	WASHER,
17	140048	3	WASHER, LOCK, {PP:80140048} Belleville, M16, 16MM
18	80120256	1	SCREW, M16X35
23	120126	2	SCREW, {PP:80120126} Hex, M16 x 30, 8.8, Full Thd, Hex, M16 x 30, 8.8, Full Thd
19	84053897	1	SUPPORT,
20	322357	1	WASHER, LOCK, {PP:80322357} Belleville, M6, Belleville, M6
21	80120099	1	SCREW, Hex, M6 x 16, 8.8, M6X16
22	84036673	1	SUPPORT, , -C5044
24	84043604	1	PLATE, COVER, , D1300-
25	84045612	1	PIN, , D1400-

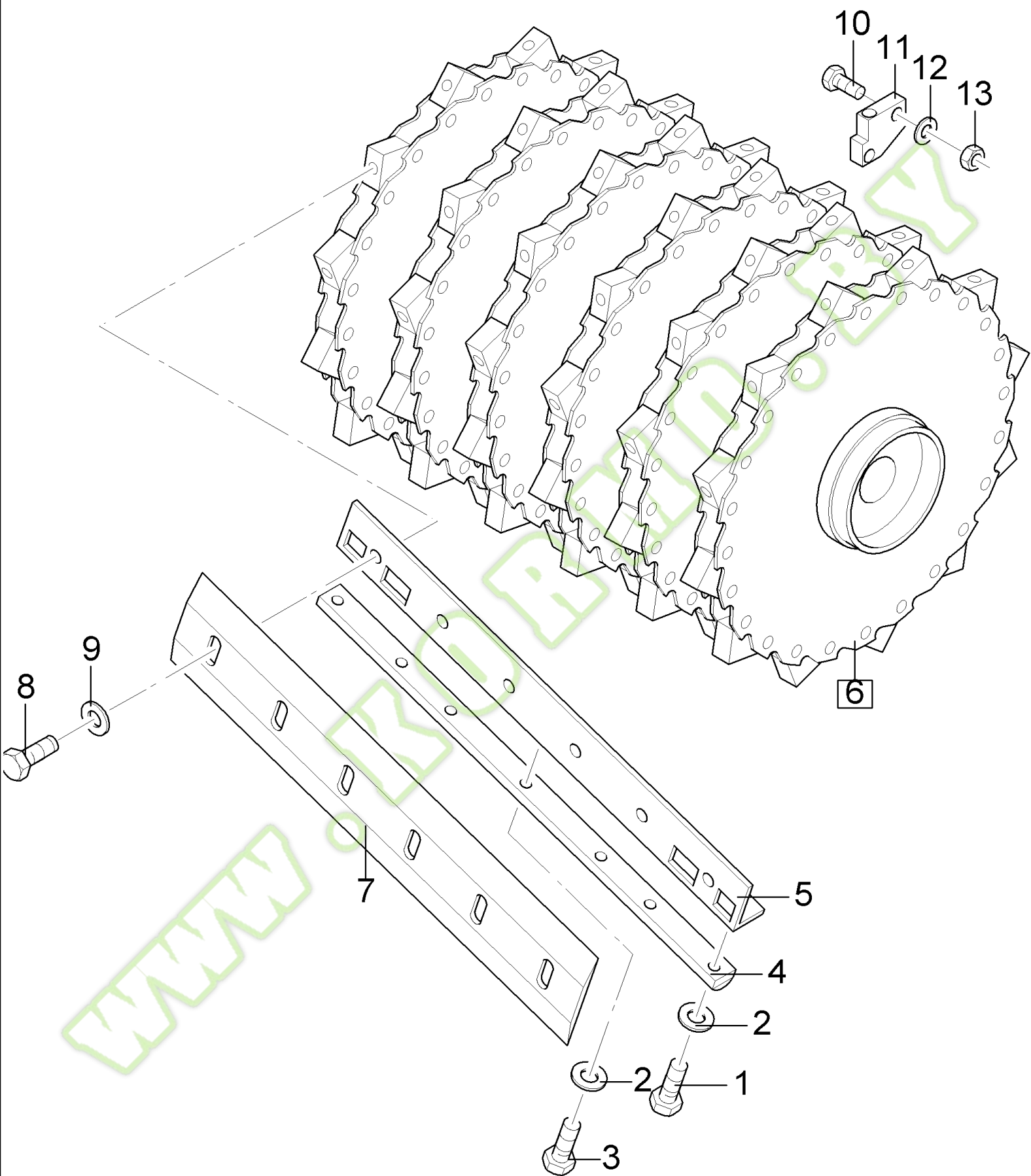


## FX375 NH SELF PROPELLED FORAGE HARVESTER - YELLOW VERSION

## 03.10(01) CUTTERHEAD

Ref	Part Number	Qty	Description
1	84022134	AR	PLATE, ADJUSTING, THK.:0.15
2	84022133	AR	PLATE, ADJUSTING, THK.:0.1
3	572266	2	BEARING, CONE, {PP:80572266}
4	572265	2	BEARING, CUP, {PP:80572265}
5	84012001	1	SHAFT,
6	323713	2	NIPPLE, LUBE, {PP:80323713}
7	84022885	1	RING,
8	100033	1	NUT, {PP:80100033} Thin, M24 x 1.5, CI 04, M24
9	84019821	1	COVER,
10	322357	12	WASHER, LOCK, {PP:80322357} Belleville, M6, Belleville, M6
11	120100	12	BOLT, {PP:80120100} Hex, M6 x 20, 8.8, M6X20
12	100024	1	NUT, {PP:80100024} M24 x 1.5, CI 8, M24
13	87628	1	BUSHING, {PP:80087628}
14	84015885	1	SWITCH, THERMOSTATIC,
15	84015573	1	SCREW, Hex, M16 x 120, 10.9, M16
16	632436	1	DAMPER, {PP:80632436}
17	337522	2	WASHER, LOCK, {PP:80337522} M16 x 56 x 5, 16MM
18	140048	13	WASHER, LOCK, {PP:80140048} Belleville, M16, 16MM
19	100020	14	NUT, {PP:80100020} M16, CI 8, M16, CI 8
20	84015757	1	BOLT, Hex, M24 x 40, 8.8, Full Thd, M24X40
21	84015771	1	WASHER,
22	84015775	1	RING,
23	84022970	1	TUBE,
24	370010	2	CIRCLIP, {PP:80370010}
25	84015298	2	SLEEVE,
26	89808458	2	SUPPORT, (25)
27	9806666	2	HOUSING, BEARING, {PP:89806666}
28	84022138	AR	PLATE, ADJUSTING, THK.:1.5
29	84022137	AR	PLATE, ADJUSTING, THK.:0.5
30	84022136	AR	PLATE, ADJUSTING, THK.:0.25
31	322359	4	WASHER, LOCK, {PP:80322359} Belleville, M20, 20MM
32	395528	4	BOLT, {PP:80395528} Hex, M20 x 100, 8.8, M20X10
33	84022135	AR	PLATE, ADJUSTING, THK.:0.3
34	84043080	2	COVER, , D1300-
35	84053238	1	WASHER, , D1400-
36	84053239	1	RING, , D1400-
37	84043366	2	NIPPLE, LUBE,

03.11(01) CUTTERHEAD: KNIVES AND "CORN CRACKER"

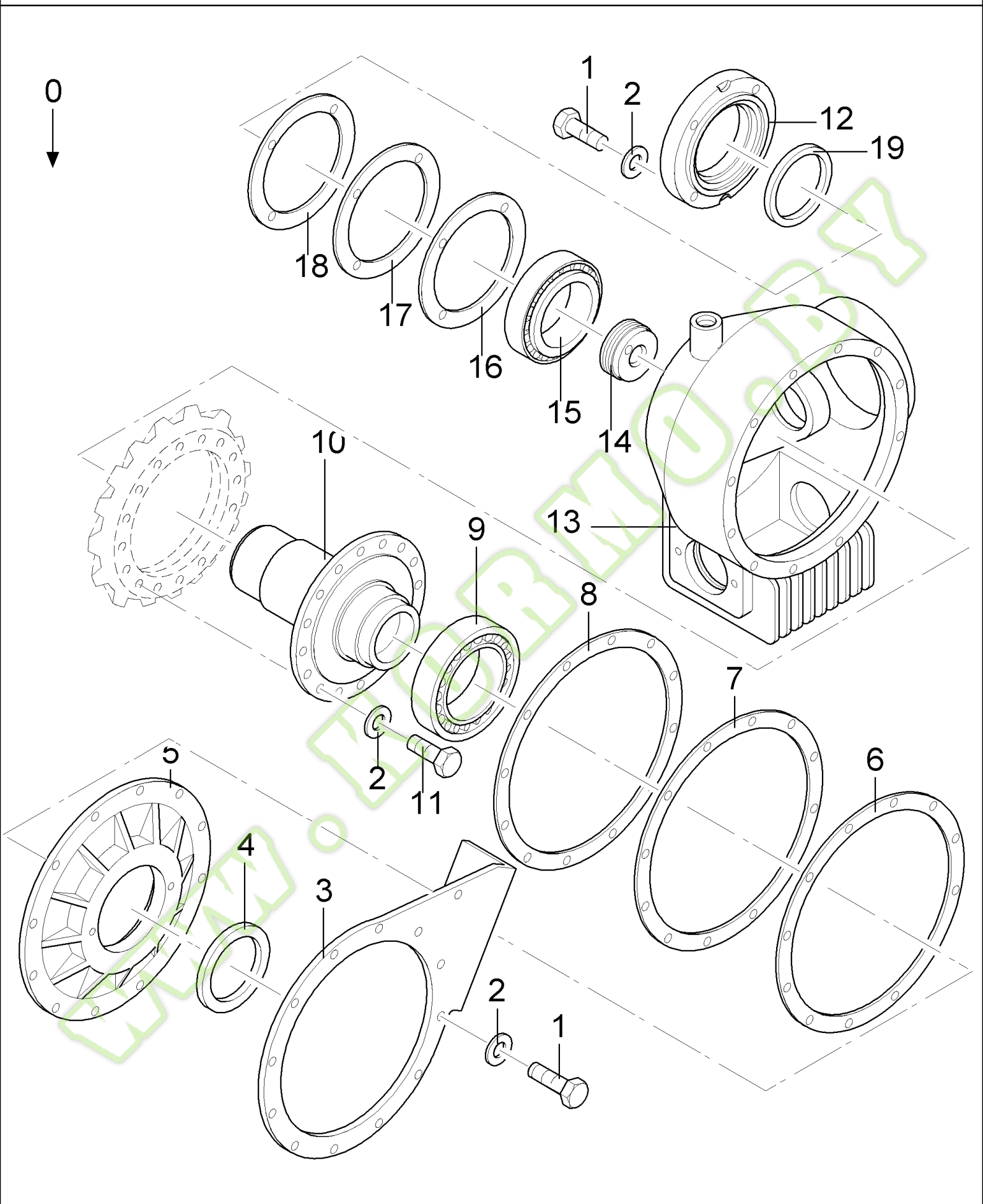


## FX375 NH SELF PROPELLED FORAGE HARVESTER - YELLOW VERSION

## 03.11(01) CUTTERHEAD: KNIVES AND "CORN CRACKER"

Ref	Part Number	Qty	Description
1	43127	AR	BOLT, {PP:80043127} Hex, M8 x 25, 8.8, M8X25
2	322358	AR	WASHER, LOCK, {PP:80322358} Belleville, M8, 8MM
3	80120104	AR	SCREW, M8X20
4	84005242	AR	DIA KIT, HARVESTER, , ACCESSORY
5	86503031	AR	SUPPORT,
6	89806975	1	KNIFE HOLDER, (10 TO 13)
7	84023281	AR	KNIFE SET, (SET OF 2), SPECIFIC FOR CORN
7	9819423	AR	KNIFE SET, {PP:89819423} (SET OF 2), SPECIFIC FOR GRASS
7	84041142	AR	KNIFE SET, (SET OF 2),BUSATIS, SPECIFIC FOR CORN, D5070-
8	280732	AR	SCREW, {PP:80280732}
9	64053	AR	WASHER, {PP:80064053}
10	385923	AR	SCREW, {PP:80385923} Hex, M16 x 55, 8.8, Full Thd, Hex, M16 x 55, 8.8, Full Thd
11	84017181	AR	SUPPORT, , -C0413
11	84035233	AR	SUPPORT, , D1400-
12	394631	AR	WASHER, {PP:80394631} 16MM
13	100020	AR	NUT, {PP:80100020} M16, CI 8, M16, CI 8

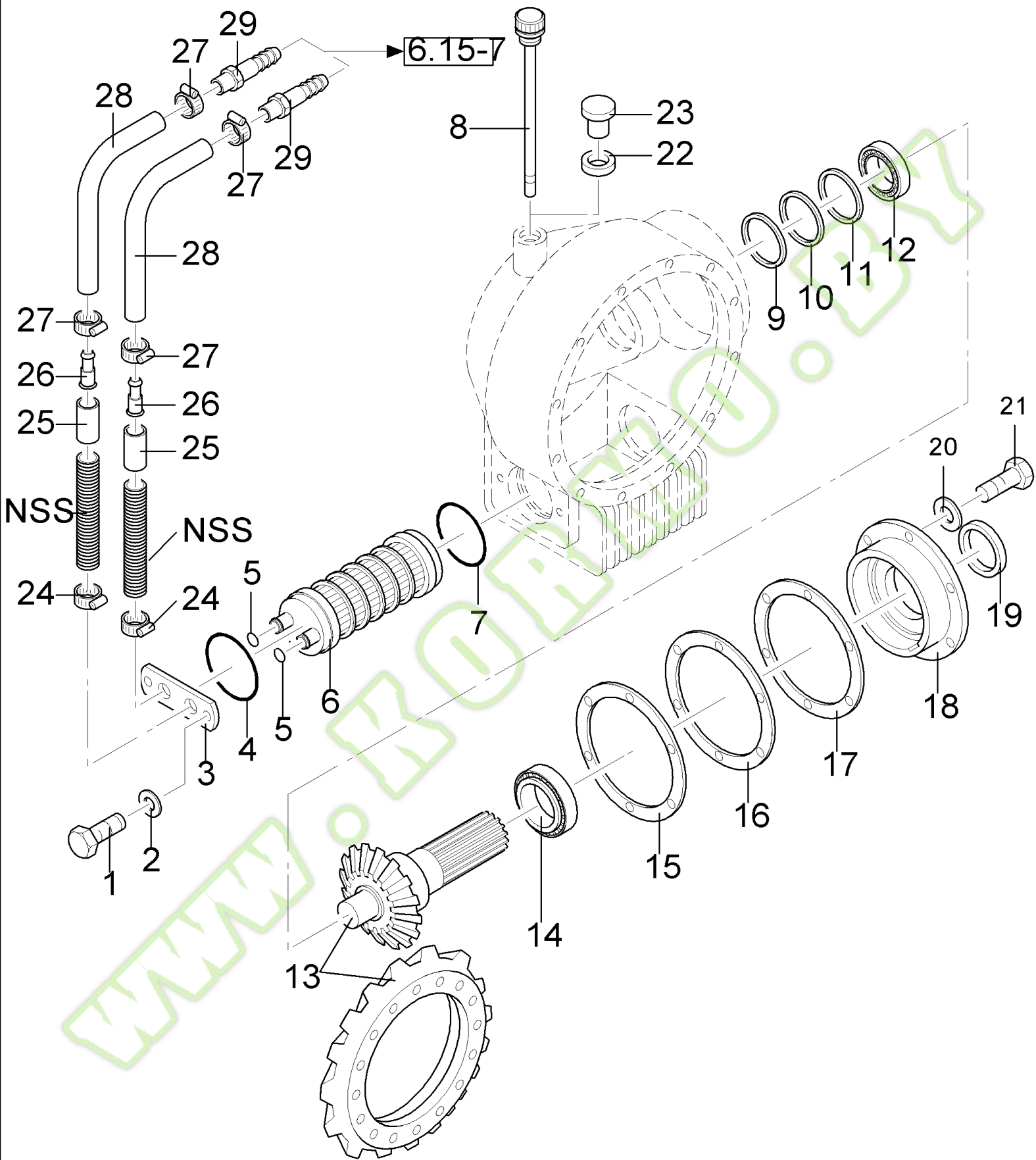




## FX375 NH SELF PROPELLED FORAGE HARVESTER - YELLOW VERSION

## 03.12(01) GEARBOX

Ref	Part Number	Qty	Description
0	89623000	1	GEARBOX, , INCL. GROUPS 3.12 AND 3.13
1	120112	16	SCREW, {PP:80120112} Hex, M10 x 40, 8.8, Full Thd, M10X40
2	140045	32	WASHER, LOCK, {PP:80140045} Belleville, M10, 10MM
3	84007715	1	PLATE, COVER,
4	84015422	1	ELEMENT, SEALING,
5	89622996	1	COVER,
6	89800210	AR	SHIM, THK.:0.4
7	89800211	AR	SHIM, THK.:0.3
8	89800212	AR	SHIM, THK.:0.25
9	412284	1	BEARING ASSY, {PP:80412284}
10	89623001	1	HUB,
11	382364	16	SCREW, {PP:80382364} Hex, M10 x 25, 10.9, Full Thd, M10X25, -C5032
11	84053789	16	SCREW, M10 x 25, D5033-
12	89804379	1	COVER,
13	89623003	1	GEARBOX,
14	89804351	1	NUT,
15	84011248	1	BEARING ASSY,
16	89804381	AR	SHIM, THK.:0.25
17	89804382	AR	SHIM, THK.:0.3
18	89804383	AR	SHIM, THK.:0.4
19	750298	1	ELEMENT, SEALING, {PP:80750298}

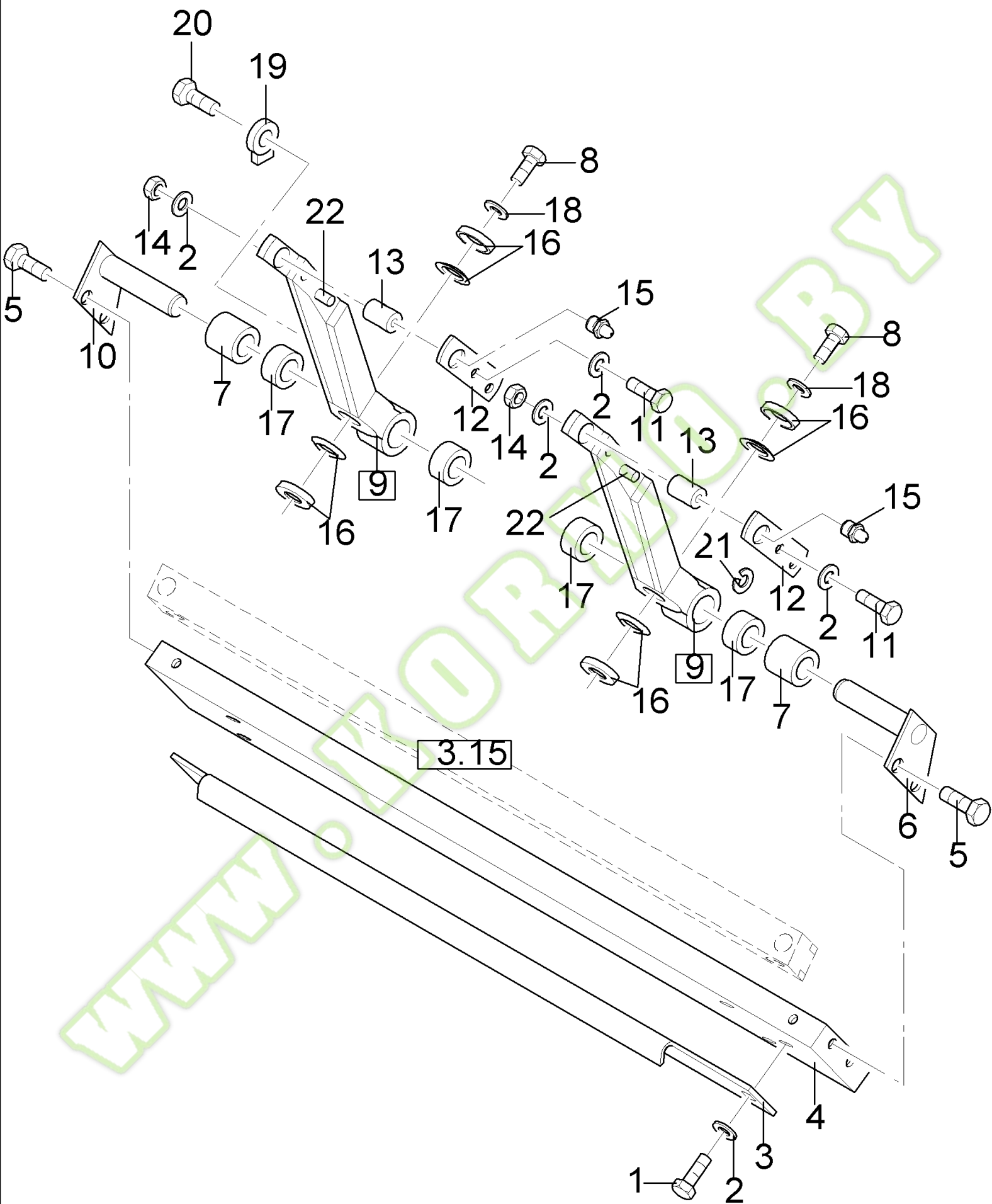


## FX375 NH SELF PROPELLED FORAGE HARVESTER - YELLOW VERSION

## 03.13(01) GEARBOX

Ref	Part Number	Qty	Description
2	322358	2	WASHER, LOCK, {PP:80322358} Belleville, M8, 8MM
3	84015511	1	PLATE,
4	608377	1	O-RING, {PP:80608377} -234, CI 7, 2.984" ID x .139" Thk,
5	122056	1	O-RING, {PP:80122056} -017, 70 Duro, .676" ID x .070" Thk,
6	84031079	1	HEAT EXCHANGER,
7	271622	1	O-RING, {PP:80271622} -231, 70 Duro, 2.609" ID x .139" Thk,
8	84015504	1	INDICATOR, , ORDER SEPARATELY, NOT INCLUDED IN GEARBOX
9	644320	AR	SHIM, {PP:80644320} THK.:0.25
10	89801742	AR	SHIM, THK.:0.3
11	89801743	AR	SHIM, THK.:0.4
12	84011249	1	BEARING ASSY,
13	89803177	1	GEAR SET,
14	84011224	1	BEARING ASSY,
15	89623005	AR	SHIM, THK.:0.4
16	89623006	AR	SHIM, THK.:0.25
17	89801744	AR	SHIM, THK.:0.3
18	89622998	1	HUB,
19	220020	1	RING, OIL SCRAPER, {PP:80220020}
20	140045	6	WASHER, LOCK, {PP:80140045} Belleville, M10, 10MM
21	43140	6	BOLT, {PP:80043140} Hex, M10 x 30, 8.8, M10X30
22	84021928	1	RING,
23	387512	1	PLUG, {PP:80387512}
24	326082	2	CLAMP, {PP:80326082} , ORDER SEPARATELY, NOT INCLUDED IN GEARBOX
25	9501676	2	HOSE, FLEXIBLE, {PP:89501676} 19X4, ORDER SEPARATELY, NOT INCLUDED IN GEARBOX
26	84043504	2	CONNECTOR, HYD., , ORDER SEPARATELY, NOT INCLUDED IN GEARBOX
27	84038324	4	CLAMP, , ORDER SEPARATELY, NOT INCLUDED IN GEARBOX
28	84043020	2	HOSE, , ORDER SEPARATELY, NOT INCLUDED IN GEARBOX
29	84017825	2	COUPLING, QUICK, MALE, , ORDER SEPARATELY, NOT INCLUDED IN GEARBOX
1	16043224	2	SCREW, Hex, M8 x 16, 8.8, Full Thd, M8X16

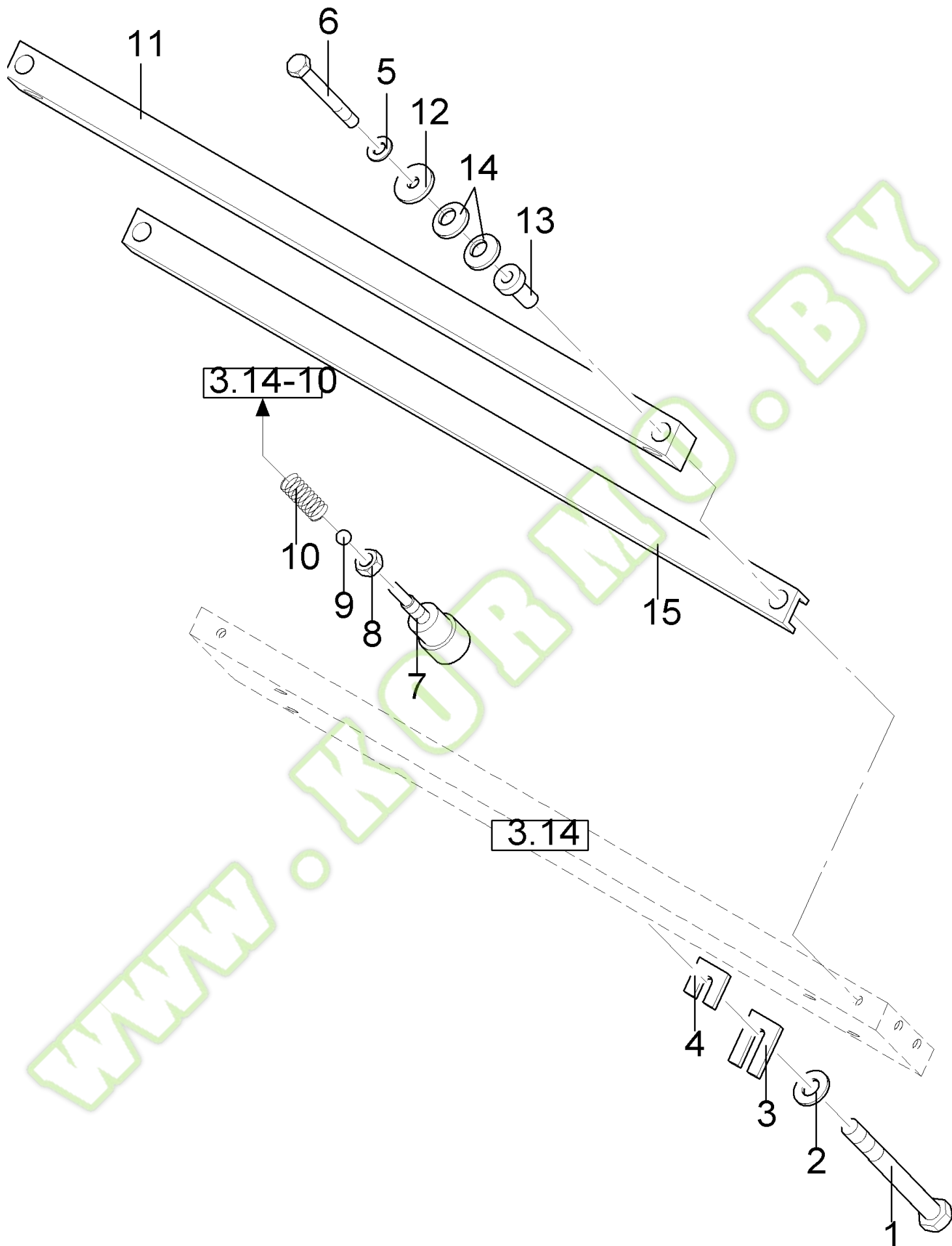
03.14(01) SHEARBAR ADJUSTMENT



## FX375 NH SELF PROPELLED FORAGE HARVESTER - YELLOW VERSION

## 03.14(01) SHEARBAR ADJUSTMENT

Ref	Part Number	Qty	Description
2	140046	6	WASHER, LOCK, {PP:80140046} Belleville, M12, 12MM
3	84036892	1	BLADE, SCRAPER,
4	84042945	1	SUPPORT,
5	161697	4	BOLT, {PP:80161697} M14X1.5
6	751296	1	SUPPORT, {PP:80751296}
7	84021005	2	SPACER,
8	280227	2	SCREW, {PP:80280227} Hex, 3/4-16 x 4 1/4", G8,
9	89808090	2	LEVER, (17,22)
10	84021713	1	SUPPORT,
11	300512	2	SCREW, {PP:80300512} Hex, M12 x 55, 8.8, M12X55
12	84021407	2	PLATE, COVER,
13	84017152	2	PIN,
14	337475	2	NUT, {PP:80337475} M12, CI 10, M12
15	321204	2	NIPPLE, LUBE, {PP:80321204}
16	84045639	4	SET OF RINGS,
17	210026	4	BUSHING, {PP:80210026}
18	322359	2	WASHER, LOCK, {PP:80322359} Belleville, M20, 20MM
19	84018286	1	SENSOR,
20	43128	1	SCREW, {PP:80043128} Hex, M8 x 30, 8.8, Cap, HH, CL 8.8, M8 x 1.25 x 30
21	323713	2	NIPPLE, LUBE, {PP:80323713}
22	84022333	2	PIN,
1	9706687	2	SCREW, {PP:89706687} Hex, M12 x 30, 8.8, M12X30

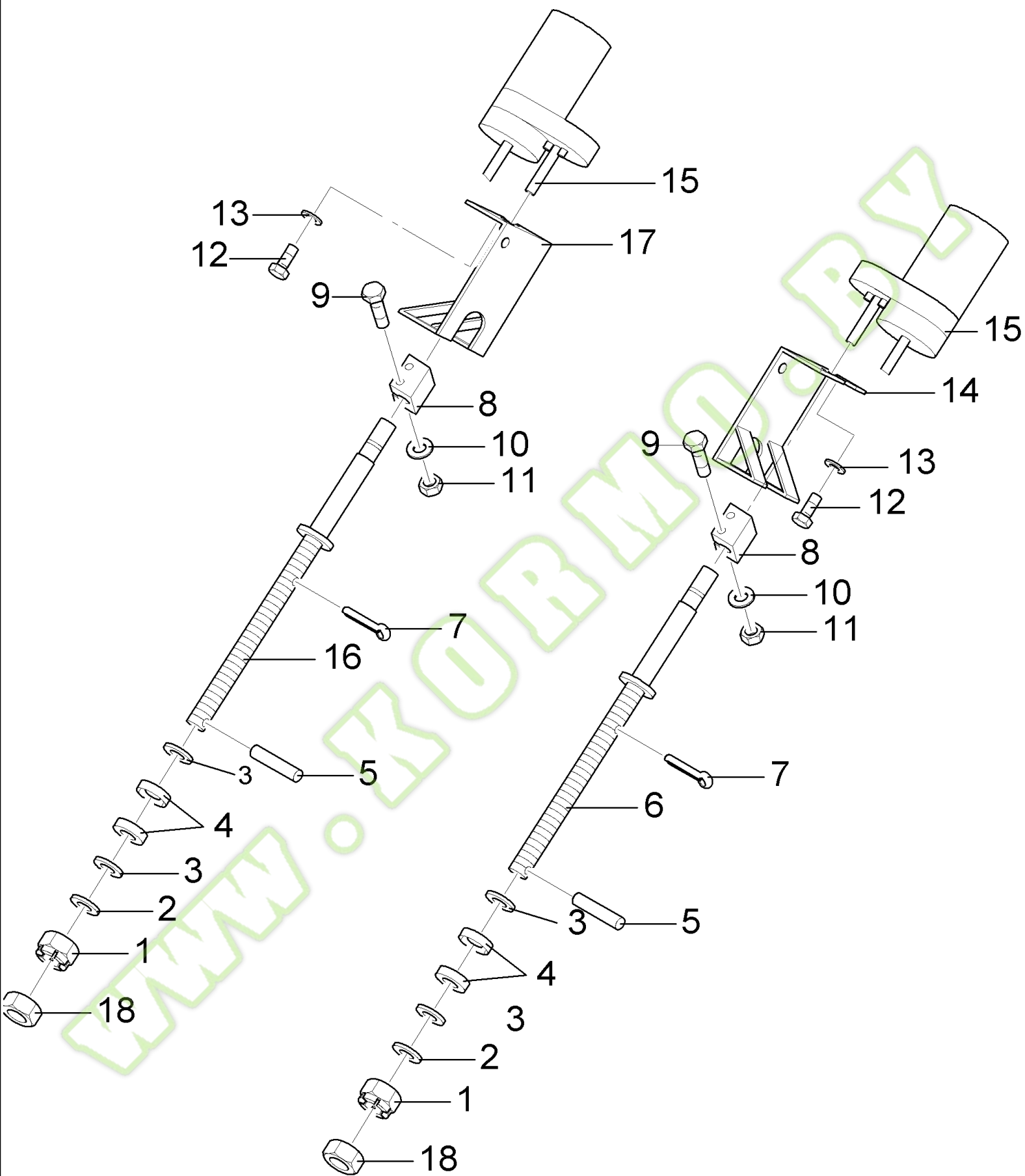


## FX375 NH SELF PROPELLED FORAGE HARVESTER - YELLOW VERSION

## 03.15(01) SHEARBAR

Ref	Part Number	Qty	Description
1	86508586	3	SCREW, Hex, M16 x 240, 8.8, M16X240
2	140048	3	WASHER, LOCK, {PP:80140048} Belleville, M16, 6MM
3	86622604	AR	SHIM, THK.:0.6
4	163962	AR	SHIM, {PP:80163962} THK.:0.3
5	140046	2	WASHER, LOCK, {PP:80140046} Belleville, M12, 12MM
6	120083	2	SCREW, {PP:80120083} Hex, M12 x 70, 8.8, M12X70
7	84019728	1	SENSOR, , UNTIL SERIAL NO. --08999 ORDER ALSO CONNECTORS 80445521 AND 80916786
8	87891	1	NUT, {PP:80087891} Blkhd, 7/16"-20, 7/16"
9	44468	1	BALL, {PP:80044468}
10	9612605	1	SPRING, {PP:89612605}
11	84058261	1	SHEAR BAR, GRASS
11	9810656	1	SHEAR BAR, {PP:89810656} CORN
12	25939	2	WASHER, {PP:80025939} , -C0408
12	84032553	2	WASHER, , -C0912
13	861704	2	SPACER, {PP:80861704} , -C0412
13	84038820	2	SPACER, , D1300-
14	861575	12	DISC, {PP:80861575}
15	84038417	1	PLATE, COVER,



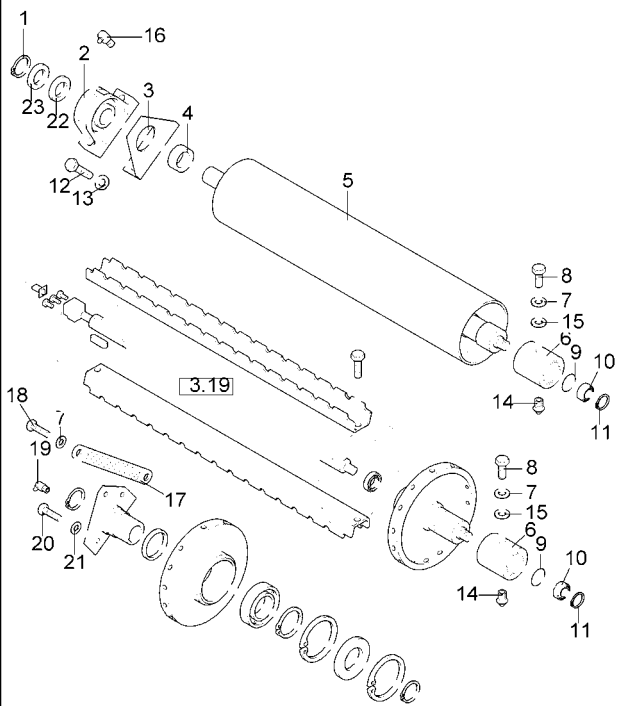


## FX375 NH SELF PROPELLED FORAGE HARVESTER - YELLOW VERSION

## 03.16(01) SHEARBAR ADJUSTMENT

Ref	Part Number	Qty	Description
1	88635	2	NUT, {PP:80088635} 5/8"-11, 5/8", -C0113
1	84045296	2	NUT, 5/8", D1400-
2	378246	2	WASHER, {PP:80378246} 16MM
3	9820509	4	WASHER, {PP:89820509} 16MM
4	851697	4	CLAMP, {PP:80851697}
5	393871	2	PIN, ROLL, {PP:80393871} M5 x 30, Slotted,
6	84014743	1	ROD,
7	300595	2	PIN, SPLIT (COTTER), {PP:80300595} M4 x 40,
8	84019843	2	BLOCK, CONNECTING,
9	412479	4	SCREW, {PP:80412479} Hex, M8 x 35, 8.8, Screw, Cap, HH, CL 8.8, M8 x 1.25 x 35
10	378243	4	WASHER, {PP:80378243} 8MM
11	100067	4	NUT, {PP:80100067} M8 x 1.25", CI 8, M8
13	322357	6	WASHER, LOCK, {PP:80322357} Belleville, M6, Belleville, M6
14	84036697	1	SUPPORT,
15	84019725	2	MOTOR, ELECTRIC,
16	89808157	1	ROD,
12	9707580	6	SCREW, {PP:89707580} Hex, 1/4"-20 x 3/4", G5, Full Thd, Screw, Cap, HH, G5, 1/4"-20 x 3/4"
17	84036696	1	SUPPORT,
18	9636972	2	NUT, {PP:89636972} Jam, 5/8"-11, G2, , D1400-
18	88635	2	NUT, {PP:80088635} 5/8"-11, 5/8", -C0113

03.17(01) LOWER FEEDROLLS WITH METAL DETECTOR



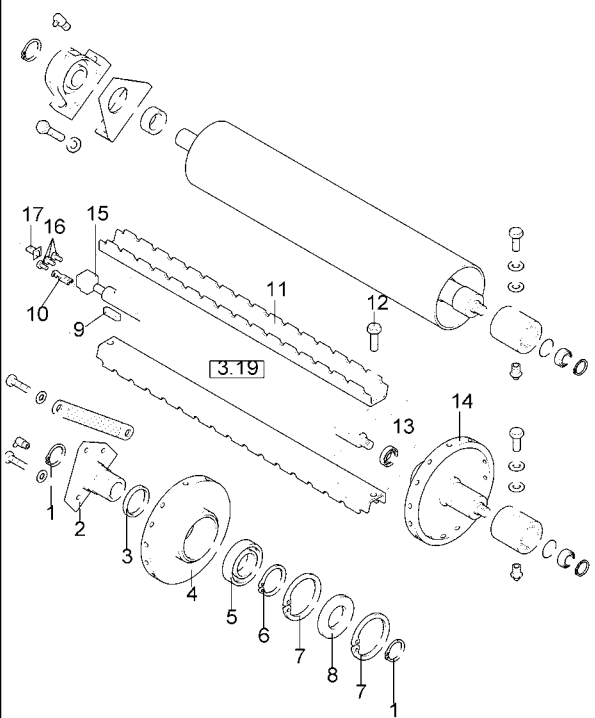
WWW.KORMO.BY

## FX375 NH SELF PROPELLED FORAGE HARVESTER - YELLOW VERSION

## 03.17(01) LOWER FEEDROLLS WITH METAL DETECTOR

Ref	Part Number	Qty	Description
1	370004	1	CIRCLIP, {PP:80370004}
2	84036897	1	BEARING ASSY, , -C0408
2	84037010	1	BEARING ASSY, , D0900-
3	89835431	1	PLATE, COVER,
4	84017070	1	BUSHING,
5	89804073	1	ROLLER,
6	84004877	2	BLOCK, COUPLING,
7	322358	3	WASHER, LOCK, {PP:80322358} Belleville, M8,
8	84017119	2	SCREW, Hex Soc, M8 x 16,
9	84012754	2	O-RING,
10	84004940	2	BEARING ASSY,
11	370024	2	RING, SNAP, {PP:80370024}
12	80337563	2	SCREW, M12X40
13	140046	2	WASHER, LOCK, {PP:80140046} Belleville, M12, 12MM
14	321204	2	NIPPLE, LUBE, {PP:80321204}
15	378243	2	WASHER, {PP:80378243}
16	332040	1	NIPPLE, LUBE, {PP:80332040}
17	635541	1	CABLE, GROUND, {PP:80635541}
18	80120104	1	SCREW, M8X20
19	323787	1	NIPPLE, LUBE, {PP:80323787}
21	140045	3	WASHER, LOCK, {PP:80140045} Belleville, M10, 10MM
22	58630	AR	SHIM, {PP:80058630} THK.:0,8MM, D1300-
23	84017436	AR	PLATE, ADJUSTING, THK.:0,2MM, D1300-
20	120109	3	SCREW, {PP:80120109} Hex, M10 x 20, 8.8, Full Thd, M10X20

03.18(01) LOWER FEEDROLLS WITH METAL DETECTOR



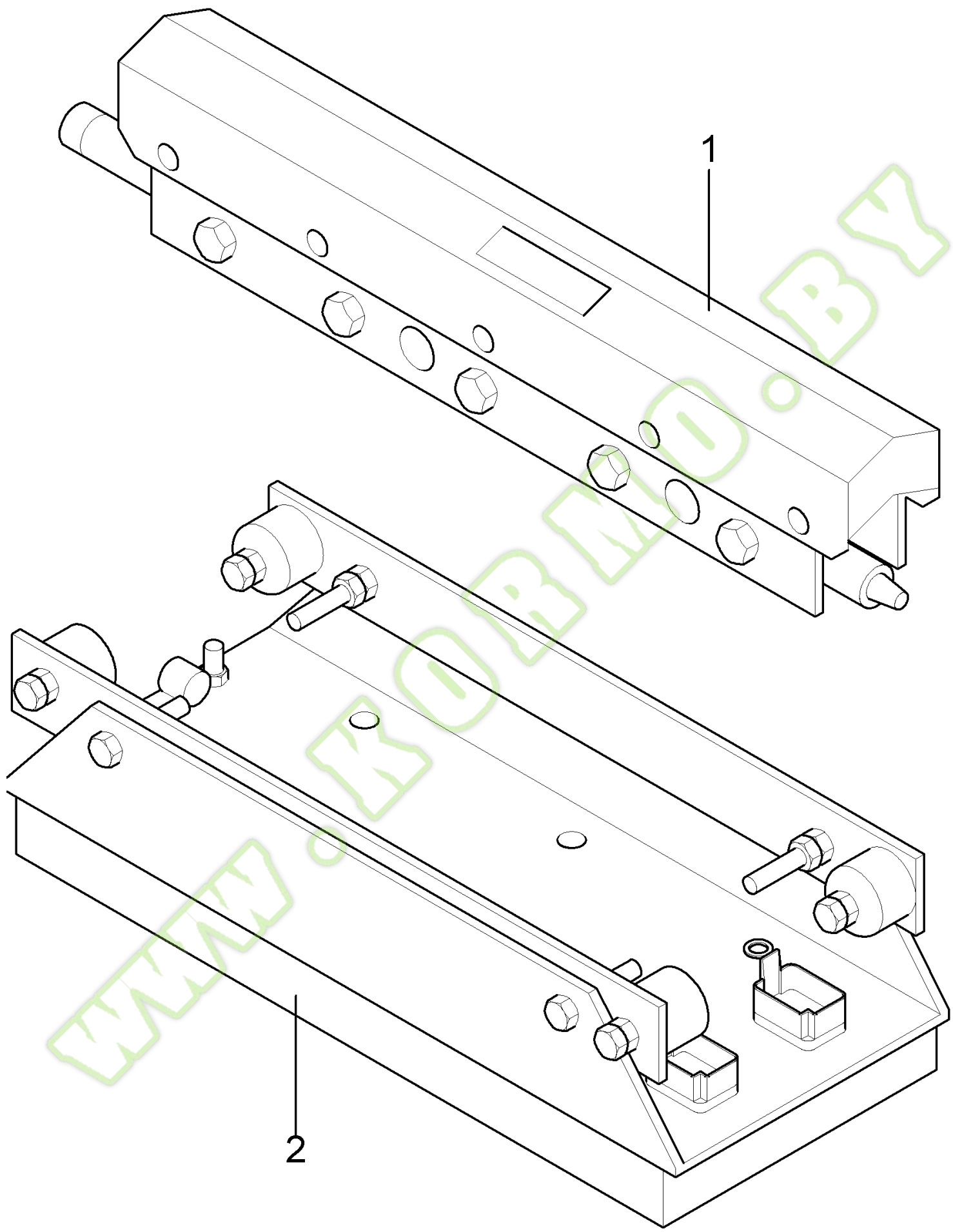
WWW.KORMO.BY

## FX375 NH SELF PROPELLED FORAGE HARVESTER - YELLOW VERSION

## 03.18(01) LOWER FEEDROLLS WITH METAL DETECTOR

Ref	Part Number	Qty	Description
1	40974	2	RING, SNAP, {PP:80040974} #125, Ext, #125, Ext
2	89835364	1	SUPPORT,
3	89850344	1	SET OF RINGS,
4	84004936	1	HUB,
5	84004939	1	BEARING ASSY,
6	370008	1	CIRCLIP, {PP:80370008}
7	370013	2	RING, SNAP, {PP:80370013}
8	80419954	1	GASKET,
9	170030	1	KEY, {PP:80170030}
10	84018979	5	TERMINAL,
11	84038048	1	ROLLER,
12	80412463	32	BOLT, , -C0447
12	84056909	32	BOLT, Hex, Lock, M10 x 25, , D4800-
13	362804	1	BEARING, BALL, {PP:80362804}
14	89827156	1	HUB,
15	84018972	1	CONNECTOR,
16	84018985	3	PLUG,
17	84018978	1	LOCK,

0  
↓



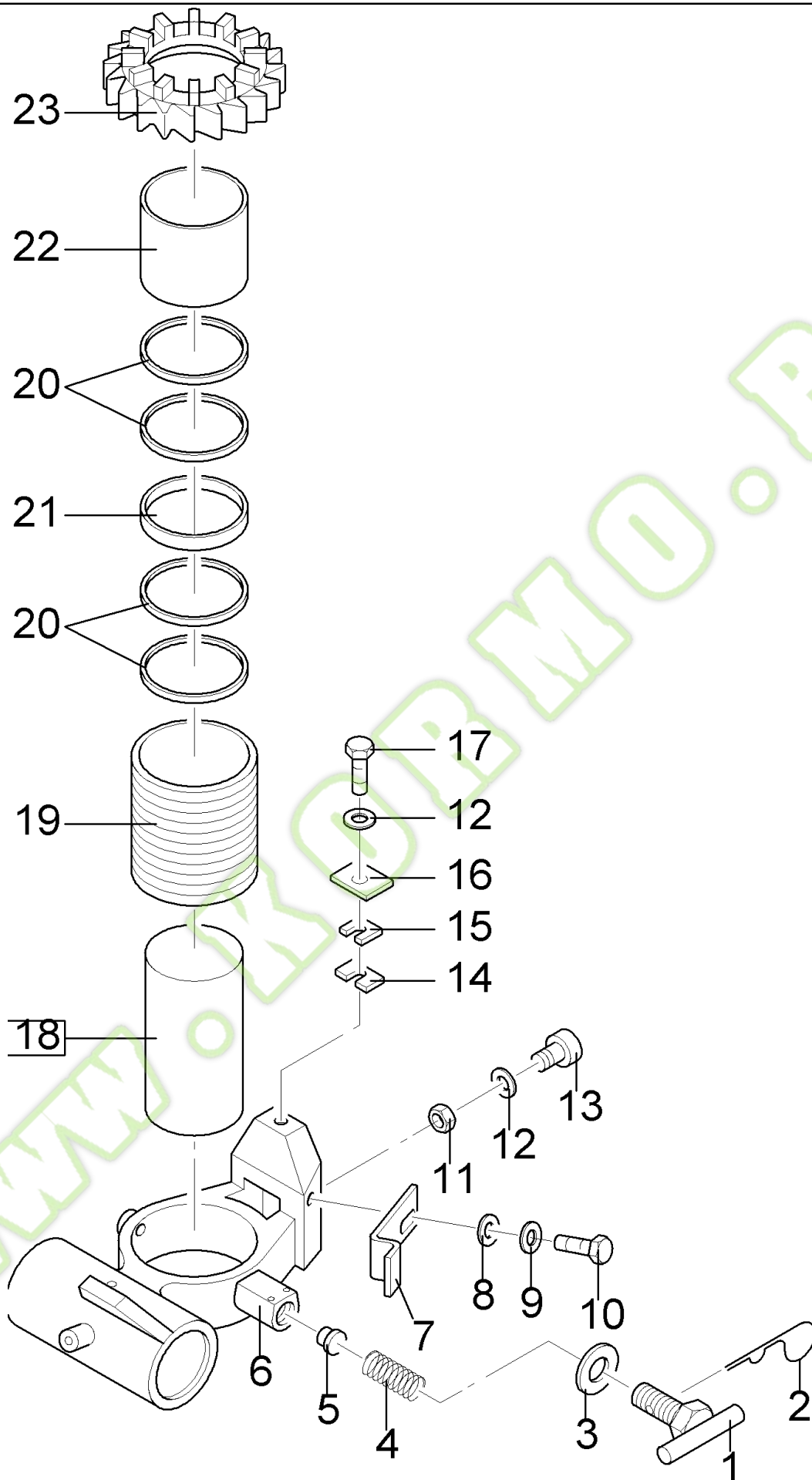
## 03.19(01) METAL DETECTOR ASSEMBLY

Ref	Part Number	Qty	Description
0	84022922	1	DETECTOR, METAL,
1	86516391	1	KIT, METAL DET. SENSOR
2	86516392	1	ELECTRONIC UNIT, CONTROL, METAL DET. ELECTR.

WWW.KORMO.BY



03.20(01) KNIFE SHARPENER

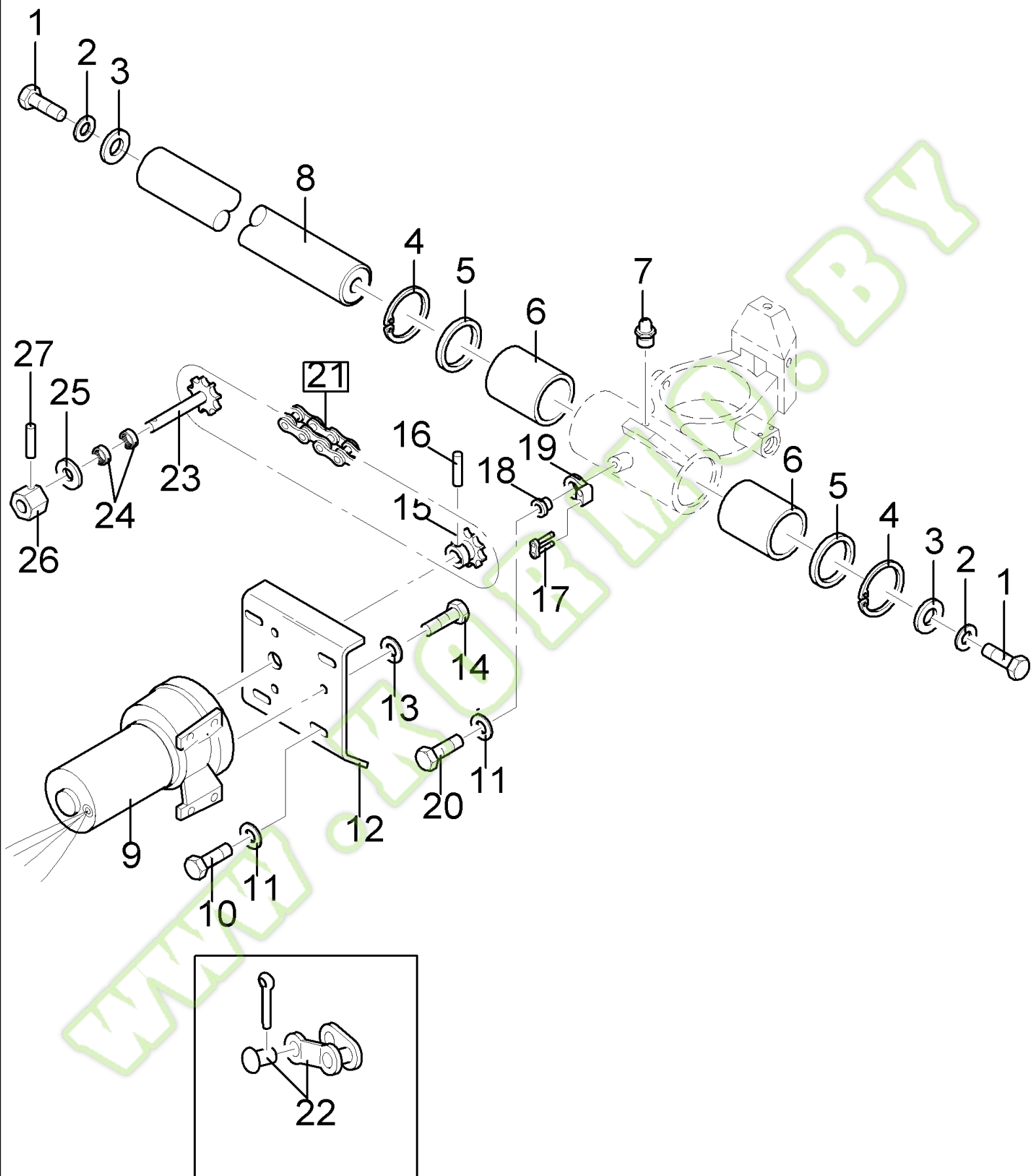


## FX375 NH SELF PROPELLED FORAGE HARVESTER - YELLOW VERSION

## 03.20(01) KNIFE SHARPENER

Ref	Part Number	Qty	Description
1	84004557	1	ROD,
2	86511448	1	PIN, SPLIT (COTTER),
3	140015	1	WASHER, {PP:80140015} 6MM
4	29524	1	SPRING, {PP:80029524}
5	788299	1	PLUG, {PP:80788299}
6	84004476	1	SUPPORT,
7	9806478	1	CLIP, SPRING, {PP:89806478}
8	378243	1	WASHER, {PP:80378243} 8MM
9	322358	1	WASHER, LOCK, {PP:80322358} Belleville, M8, 8MM
10	80120104	1	SCREW, M8X20
11	84022934	1	NUT, M10 x 1, CI 8, M10
12	140045	2	WASHER, LOCK, {PP:80140045} Belleville, M10, 10MM
13	84004515	1	ROLLER,
14	84022925	AR	PLATE, ADJUSTING, THK.:0.15
15	84022926	AR	PLATE, ADJUSTING, THK.:0.5
16	578788	1	PLATE, FISH, {PP:80578788} , -C0408
16	84032606	1	PLATE, COVER, , D0900-
17	43140	1	BOLT, {PP:80043140} Hex, M10 x 30, 8.8, M10X30
18	9805207	1	GRINDSTONE, {PP:89805207} (20), -C5069
18	84056379	1	GRINDSTONE, , D5070-
18	84056378	1	GRINDSTONE, , WITH YELLOW TOP SURFACE ONLY, FOR BUSATIS KNIVES ONLY, D5070-
19	NH774493	1	HOLDER, {PP:80774493}
20	774490	4	RING, RUBBER, {PP:80774490}
21	774491	1	SHIM, {PP:80774491}
22	774492	1	SPACER, {PP:80774492}
23	774484	1	CAP, {PP:80774484}

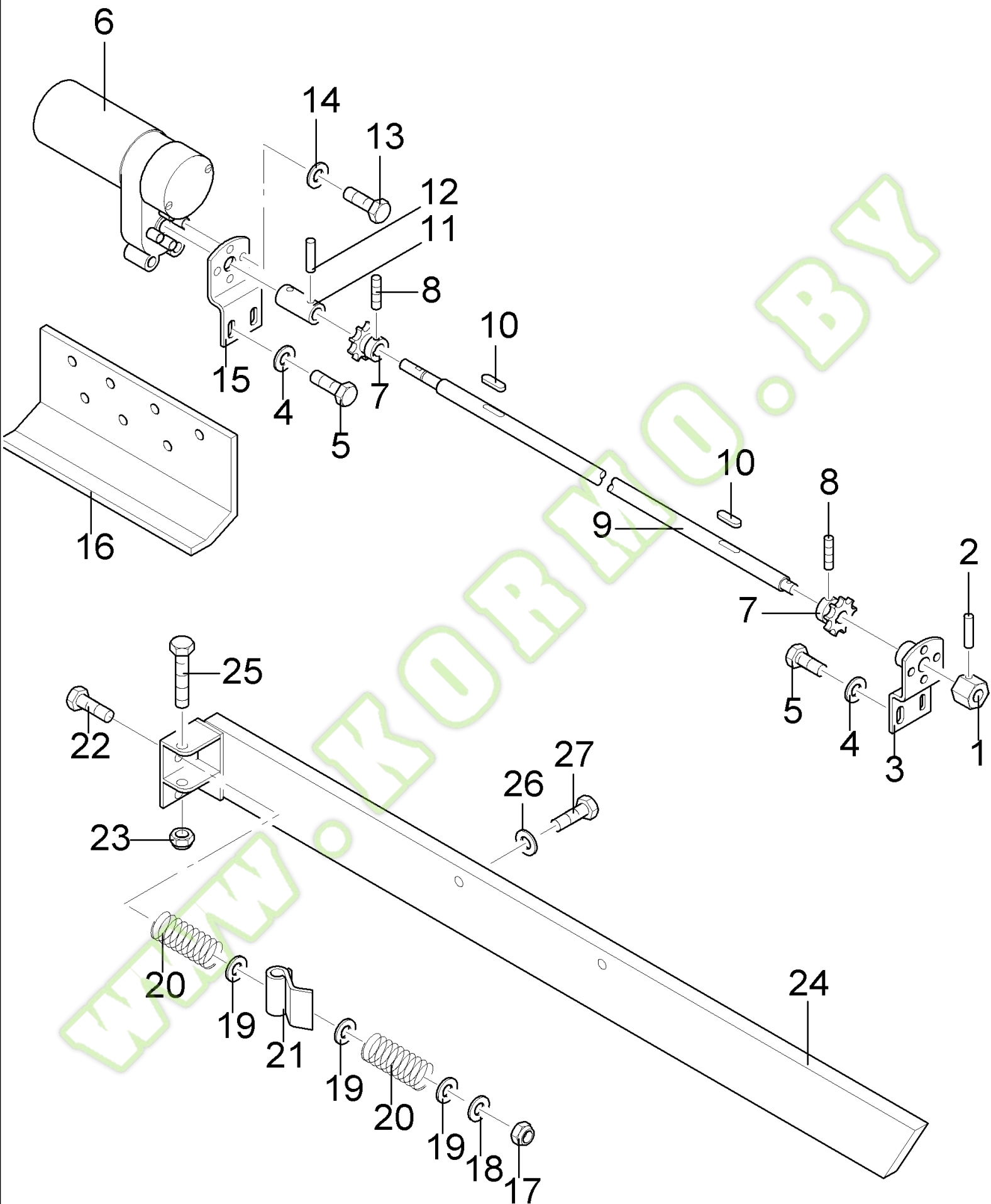
03.21(01) KNIFE SHARPENER



## FX375 NH SELF PROPELLED FORAGE HARVESTER - YELLOW VERSION

## 03.21(01) KNIFE SHARPENER

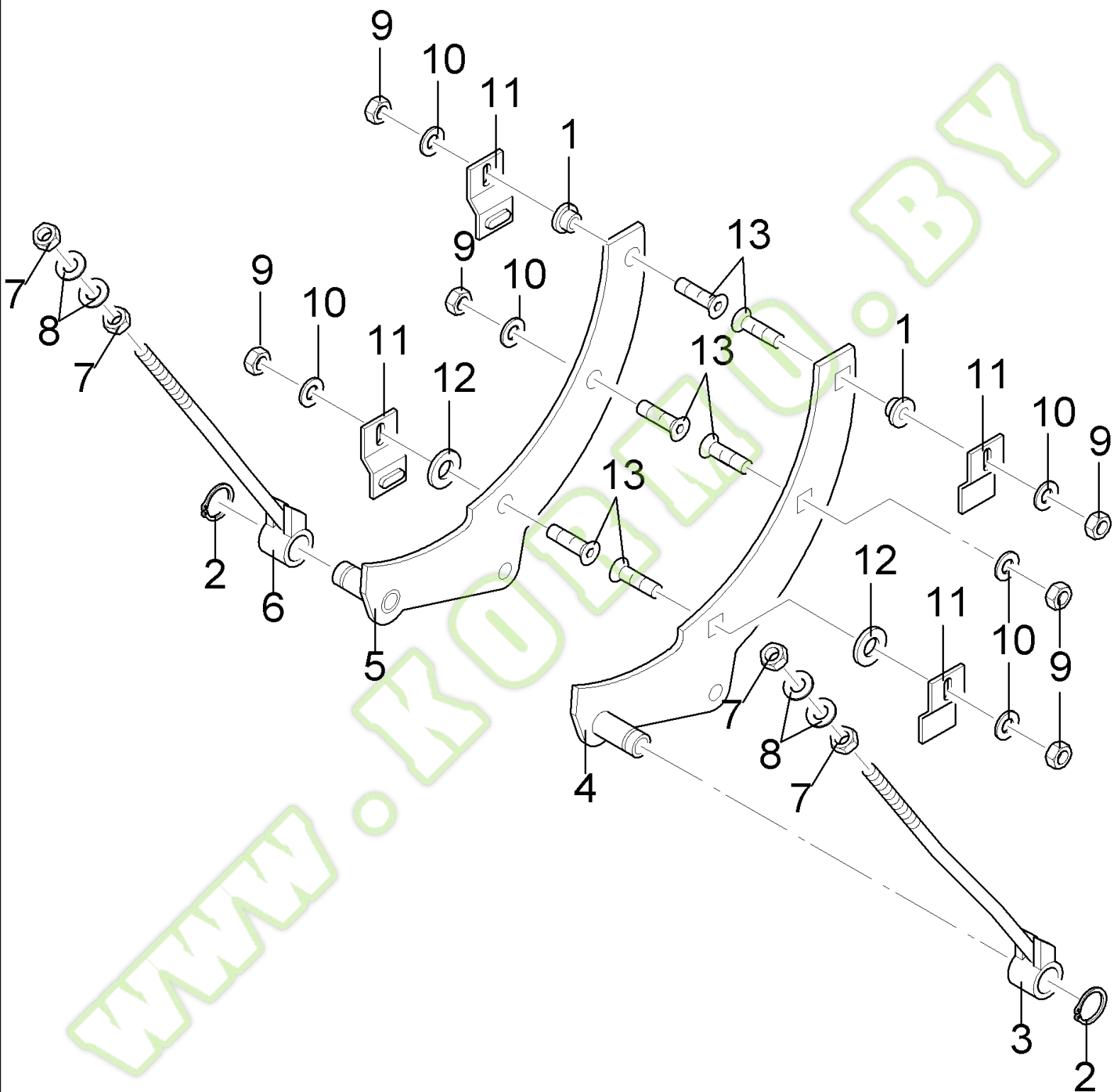
Ref	Part Number	Qty	Description
1	120089	2	BOLT, {PP:80120089} Hex, M16 x 40, 8.8, Hex, M16 x 40, 8.8
2	140048	2	WASHER, LOCK, {PP:80140048} Belleville, M16, 16MM
3	9513615	AR	WASHER, {PP:89513615}
4	80370017	2	RING,
5	84014095	2	ELEMENT, SEALING,
6	697045	2	BEARING ASSY, {PP:80697045}
7	321204	1	NIPPLE, LUBE, {PP:80321204}
8	89835162	1	SHAFT,
9	84019727	1	MOTOR, ELECTRIC, SMALL,
10	43128	4	SCREW, {PP:80043128} Hex, M8 x 30, 8.8, Cap, HH, CL 8.8, M8 x 1.25 x 30
11	322358	5	WASHER, LOCK, {PP:80322358} Belleville, M8, 8MM
12	89809223	1	SUPPORT,
13	322357	3	WASHER, LOCK, {PP:80322357} Belleville, M6, Belleville, M6
14	280641	3	SCREW, {PP:80280641} Hex, 1/4"-20 x 5/8", G5, Full Thd, .25"X.625"
15	84017037	1	SPROCKET, DRIVEN,
16	84012755	1	SCREW, Hex Soc, M6 x 5, M6X5
17	9620443	1	LINK, CONNECTING, {PP:89620443}
18	9617010	1	SPACER, {PP:89617010}
19	9620444	1	CONNECTOR, HYD., {PP:89620444}
20	84041541	1	SCREW, Hex, M8 x 20, 8.8, Full Thd, M8, D1300-
20	9806833	1	SCREW, {PP:89806833} M8, -C0412
21	89835411	1	CHAIN, (22)
22	25815	1	LINK, CONNECTING, {PP:80025815}
23	84000304	1	SPROCKET, DRIVEN,
24	791972	2	BEARING ASSY, {PP:80791972}
25	791993	2	WASHER, {PP:80791993}
26	84015867	1	RING,
27	393871	1	PIN, ROLL, {PP:80393871} M5 x 30, Slotted,



## FX375 NH SELF PROPELLED FORAGE HARVESTER - YELLOW VERSION

## 03.22(01) KNIFE SHARPENER

Ref	Part Number	Qty	Description
1	84015867	1	RING,
2	393871	1	PIN, ROLL, {PP:80393871} M5 x 30, Slotted,
3	89809086	1	SUPPORT,
4	140046	4	WASHER, LOCK, {PP:80140046} Belleville, M12, 12MM
5	86517808	4	SCREW, Cap, HH, CL 8.8, M12 x 1.75 x 25
6	84019724	1	MOTOR, ELECTRIC, SMALL,
7	84017038	2	SPROCKET, DRIVEN,
8	84012755	2	SCREW, Hex Soc, M6 x 5, M6X5
9	89807931	1	SHAFT,
10	336126	2	KEY, {PP:80336126}
11	84019855	1	BLOCK, COUPLING,
12	130045	2	PIN, {PP:80130045} M5 x 26, Slotted,
14	322357	4	WASHER, LOCK, {PP:80322357} Belleville, M6, Belleville, M6
15	84017797	1	SUPPORT,
16	84031574	1	PLATE,
17	353308	1	NUT, {PP:80353308} M6 x 1, Cl 8, M6
13	9707580	4	SCREW, {PP:89707580} Hex, 1/4"-20 x 3/4", G5, Full Thd, Screw, Cap, HH, G5, 1/4"-20 x 3/4"



## FX375 NH SELF PROPELLED FORAGE HARVESTER - YELLOW VERSION

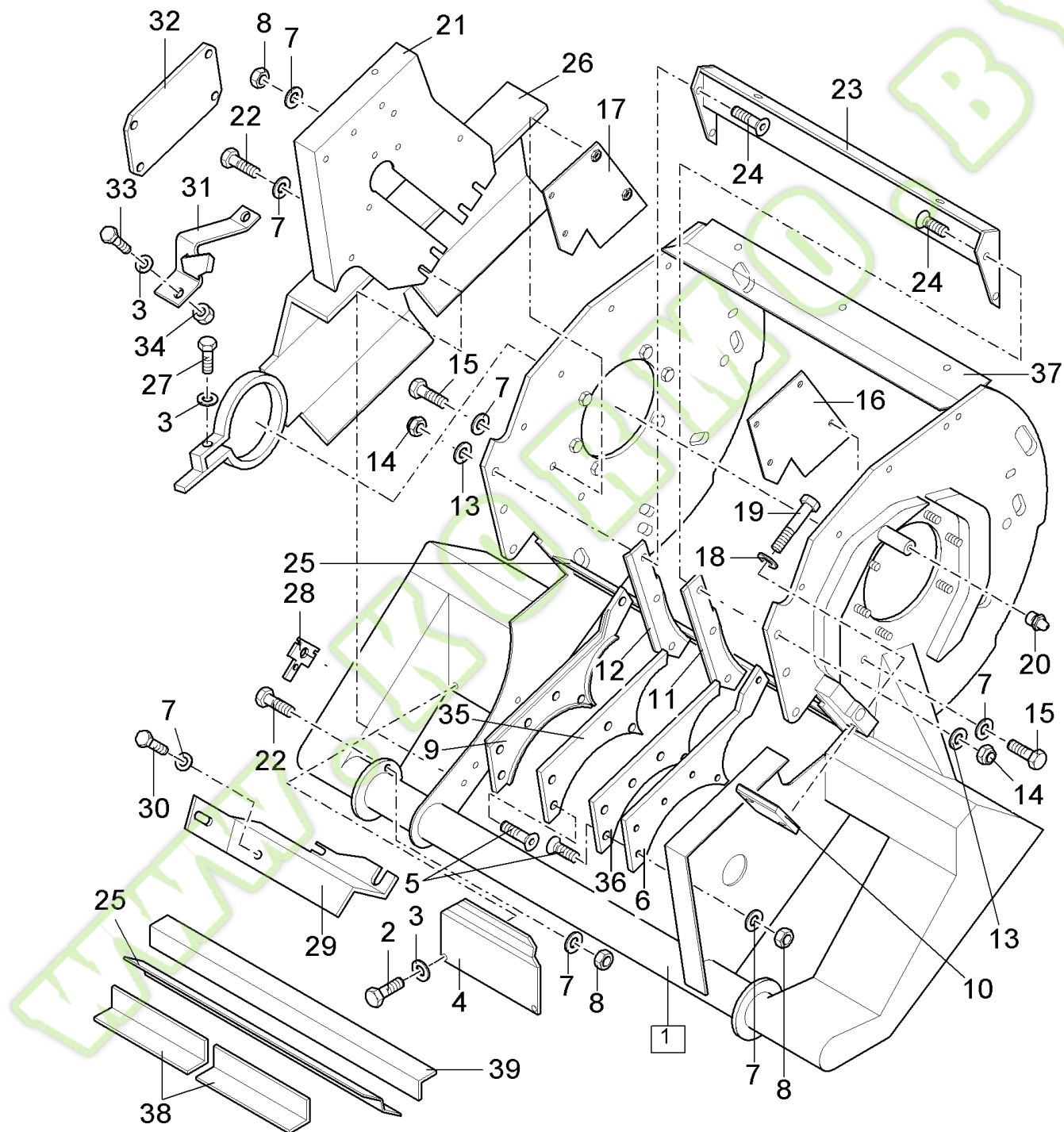
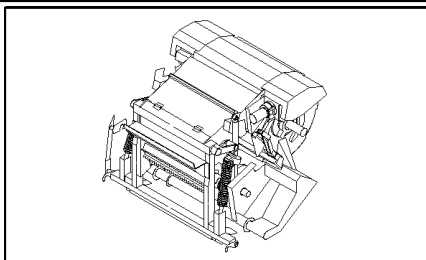
## 03.23(01) CUTTERHEAD ACCESSORIES

Ref	Part Number	Qty	Description
1	84012049	4	SPACER,
2	80370002	2	CIRCLIP,
3	84012054	1	TIE-ROD,
4	89850234	1	PROFILE,
5	89850235	1	PROFILE,
6	84000206	1	TIE-ROD,
7	337475	4	NUT, {PP:80337475} M12, CI 10, M12
8	140046	4	WASHER, LOCK, {PP:80140046} Belleville, M12, 12MM
9	100016	6	NUT, {PP:80100016} M10, CI 8, M10
10	140045	6	WASHER, LOCK, {PP:80140045} Belleville, M10, 10MM
11	84018137	4	COVER,
12	362810	2	WASHER, {PP:80362810}
13	84018214	6	BOLT, M10X35

WWW.KORMO.BY



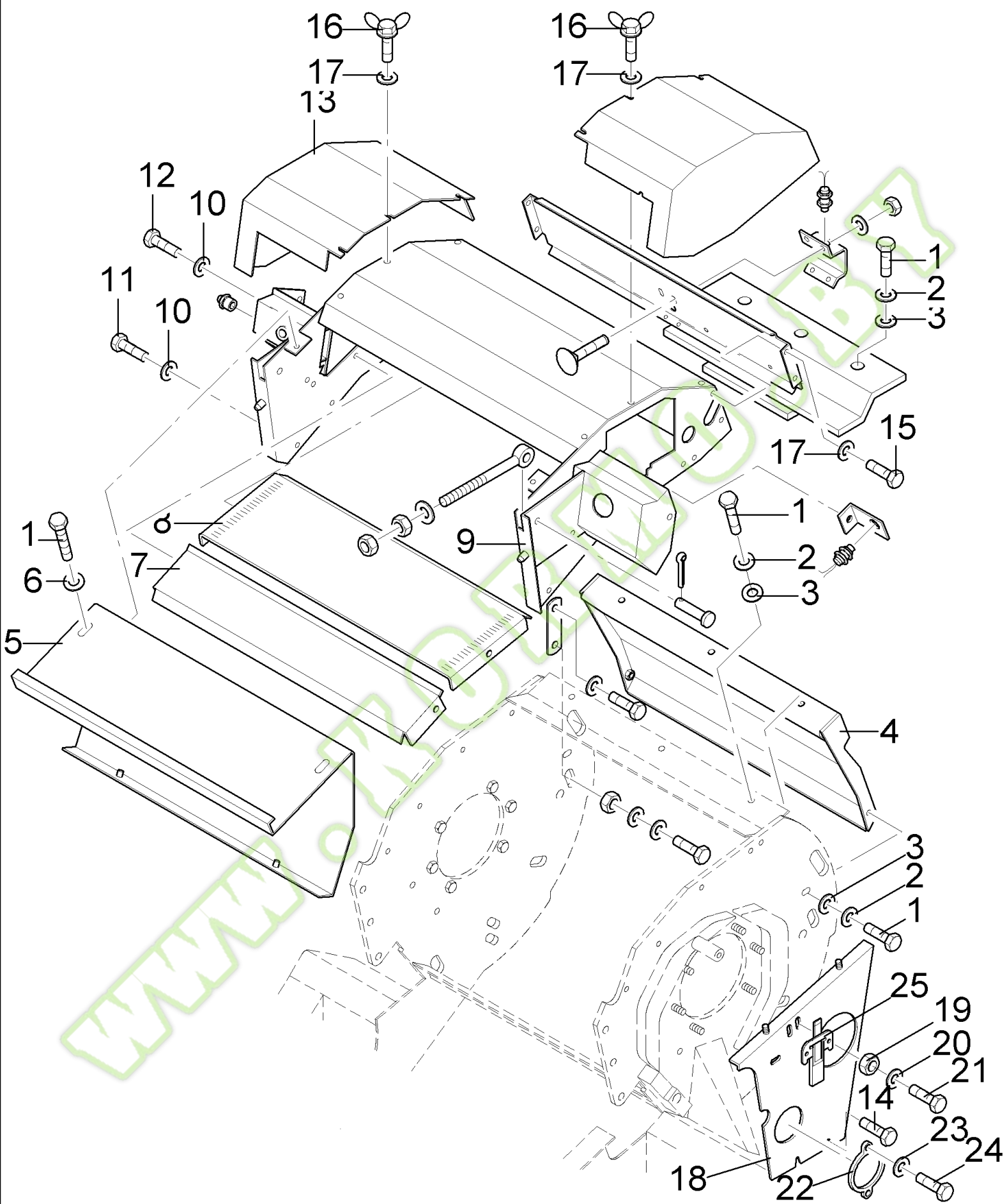
03.24(01) CUTTERHEAD FRAME



## FX375 NH SELF PROPELLED FORAGE HARVESTER - YELLOW VERSION

## 03.24(01) CUTTERHEAD FRAME

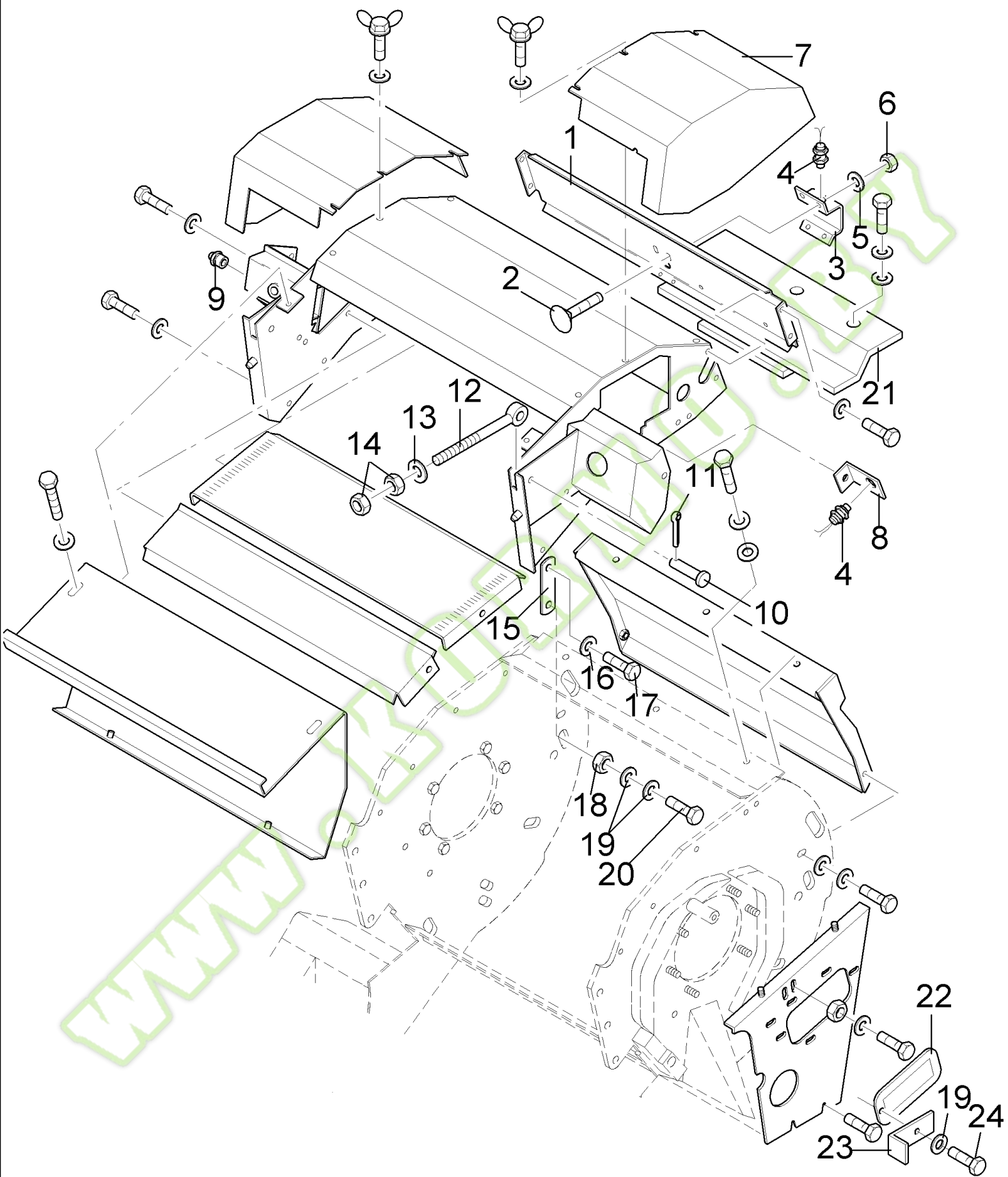
Ref	Part Number	Qty	Description
1	89808419	1	FRAME, (25,37 TO 39)
2	80120104	2	SCREW, M8X20
3	322358	5	WASHER, LOCK, {PP:80322358} Belleville, M8, 8MM
4	84004565	1	COVER,
5	80320772	12	SCREW, M10
6	84036724	1	PLATE, COVER,
7	140045	25	WASHER, LOCK, {PP:80140045} Belleville, M10, 10MM
8	100016	13	NUT, {PP:80100016} M10, CI 8, M10
9	84036725	1	PLATE, COVER,
10	89808768	2	BLOCK,
11	84036551	1	GUIDE,
12	84607563	1	GUIDE,
13	140046	6	WASHER, LOCK, {PP:80140046} Belleville, M12, 12MM
14	100038	6	NUT, LOCK, {PP:80100038} M12 x 1.75, CI 8, M12
15	9706687	4	SCREW, {PP:89706687} Hex, M12 x 30, 8.8, M12X30
16	89839485	1	PLATE, COVER,
17	89839486	1	PLATE, COVER,
18	140048	4	WASHER, LOCK, {PP:80140048} Belleville, M16, 6MM
19	350616	4	SCREW, {PP:80350616} Hex, M16 x 90, 8.8, M16X90
20	323787	2	NIPPLE, LUBE, {PP:80323787}
21	84036744	1	PLATE, COVER,
22	43140	6	BOLT, {PP:80043140} Hex, M10 x 30, 8.8, M10X30
23	84056592	1	SUPPORT,
24	300502	6	SCREW, {PP:80300502} Hex Soc Flat Hd, M12 x 40, 8.8, M12X40
25	89835197	1	PLATE, (WELDED ON)
26	84037691	1	PROTECTING COVER, , D0900-
27	120106	1	SCREW, {PP:80120106} Hex, M8 x 40, 8.8, Full Thd, Hex, M8 x 40, 8.8, Full Thd, D0900-
28	84032700	6	SUPPORT,
29	84043239	1	SHIELD, , -C0447
29	84056812	1	SHIELD, , D4800-
31	84037636	1	SUPPORT, , D0900-
32	84037437	1	WEATHERSTRIP, RUBBER, , D0900-
33	120037	2	BOLT, {PP:80120037} Short NK, M8 x 20, CI8.8, Full Thd, M8X20, D0900-
34	100015	2	NUT, {PP:80100015} M8, CI 8, M8, D0900-
35	84038863	1	PLATE, COVER,
36	84038864	1	PLATE, COVER,
37	89809600	1	PLATE, WELD-ON
38	84042946	2	PLATE, COVER, WELD-ON
39	84043288	1	REINFORCEMENT, WELD-ON
30	120109	3	SCREW, {PP:80120109} Hex, M10 x 20, 8.8, Full Thd, M10X20



## FX375 NH SELF PROPELLED FORAGE HARVESTER - YELLOW VERSION

## 03.25(01) SHIELDS

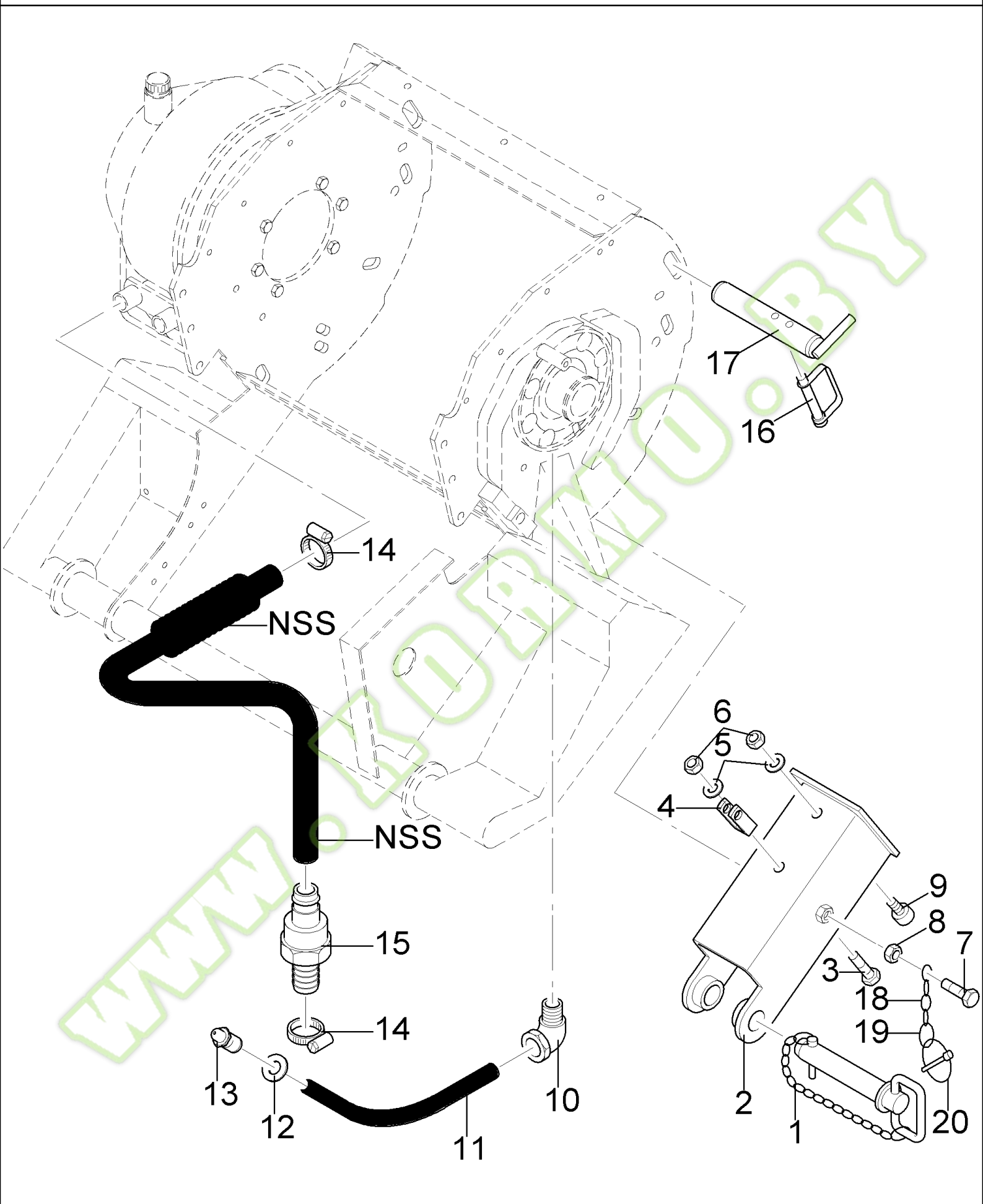
Ref	Part Number	Qty	Description
1	43140	10	BOLT, {PP:80043140} Hex, M10 x 30, 8.8, M10X30
2	140045	8	WASHER, LOCK, {PP:80140045} Belleville, M10, 10MM
3	378244	8	WASHER, LOCK, {PP:80378244} 10MM
4	84005176	1	COVER,
5	84038830	1	COVER,
6	140042	2	WASHER, LOCK, {PP:80140042} M10 x 34 x 3, 10MM
7	89809704	1	PLATE, COVER,
8	84004527	1	COVER,
9	89835403	1	PANEL, BOXED,
10	140046	8	WASHER, LOCK, {PP:80140046} Belleville, M12, 12MM
11	120119	6	BOLT, {PP:80120119} Hex, M12 x 20, 8.8, Full Thd, M12X20
12	86517808	2	SCREW, Cap, HH, CL 8.8, M12 x 1.75 x 25
13	84004653	1	GUARD, , -C0412
13	84043270	1	GUARD, , D1300-
14	391510	3	SCREW, {PP:80391510} M8X20, D0500-
14	395627	3	SCREW, {PP:80395627} Hex Serr Flg, M8 x 20, M8X20, -C0404
15	80120104	4	SCREW, M8X20
16	410851	3	SCREW, {PP:80410851} M8X20
17	378243	7	WASHER, {PP:80378243} 8MM
18	84019363	1	COVER, , D0500-
19	100013	2	NUT, {PP:80100013} M4, CI 8, M5, D0500-
20	322356	2	WASHER, LOCK, {PP:80322356} , D0500-
21	80300806	2	SCREW, M5X10, D0500-
22	84019821	1	COVER, , D1000-
23	322357	1	WASHER, LOCK, {PP:80322357} Belleville, M6, Belleville, M6, D1000-
24	120100	1	BOLT, {PP:80120100} Hex, M6 x 20, 8.8, M6X20, D1000-
25	244457	1	CLAMP, {PP:80244457} , D0500-



## FX375 NH SELF PROPELLED FORAGE HARVESTER - YELLOW VERSION

03.26(01) SHIELDS

Ref	Part Number	Qty	Description
1	84038827	1	COVER,
2	120031	4	SCREW, {PP:80120031} M6X16
3	84005587	1	BRACKET, , -C0408
3	84037447	1	BRACKET, , D0900-
4	84036824	3	SENSOR,
5	322357	4	WASHER, LOCK, {PP:80322357} Belleville, M6, Belleville, M6
6	9706755	4	NUT, {PP:89706755} M6, CI 8, M6
7	84043271	1	GUARD,
8	84018010	1	
9	321204	1	NIPPLE, LUBE, {PP:80321204}
10	390071	2	PIN, {PP:80390071}
11	130007	2	PIN, SPLIT (COTTER), {PP:80130007} M4 x 25,
12	417749	2	BOLT, {PP:80417749} , -C0405
12	84023279	2	BOLT, , D0600-
13	378246	2	WASHER, {PP:80378246} 6MM
14	100020	4	NUT, {PP:80100020} M16, CI 8, M16, CI 8
15	84022631	1	BRACKET, , D0500-
16	140046	1	WASHER, LOCK, {PP:80140046} Belleville, M12, , D0500-
18	100015	1	NUT, {PP:80100015} M8, CI 8, M8, D0500-
19	322358	3	WASHER, LOCK, {PP:80322358} Belleville, M8, , D0500-
20	43128	1	SCREW, {PP:80043128} Hex, M8 x 30, 8.8, Cap, HH, CL 8.8, M8 x 1.25 x 30, D0500-
21	84038826	1	PLATE,
22	84053087	1	COVER, , D1400-
23	425093	1	CLIP, {PP:80425093} , D1400-
24	80120104	1	SCREW, , D1400-
17	9706687	1	SCREW, {PP:89706687} Hex, M12 x 30, 8.8, M12X30, D0500-

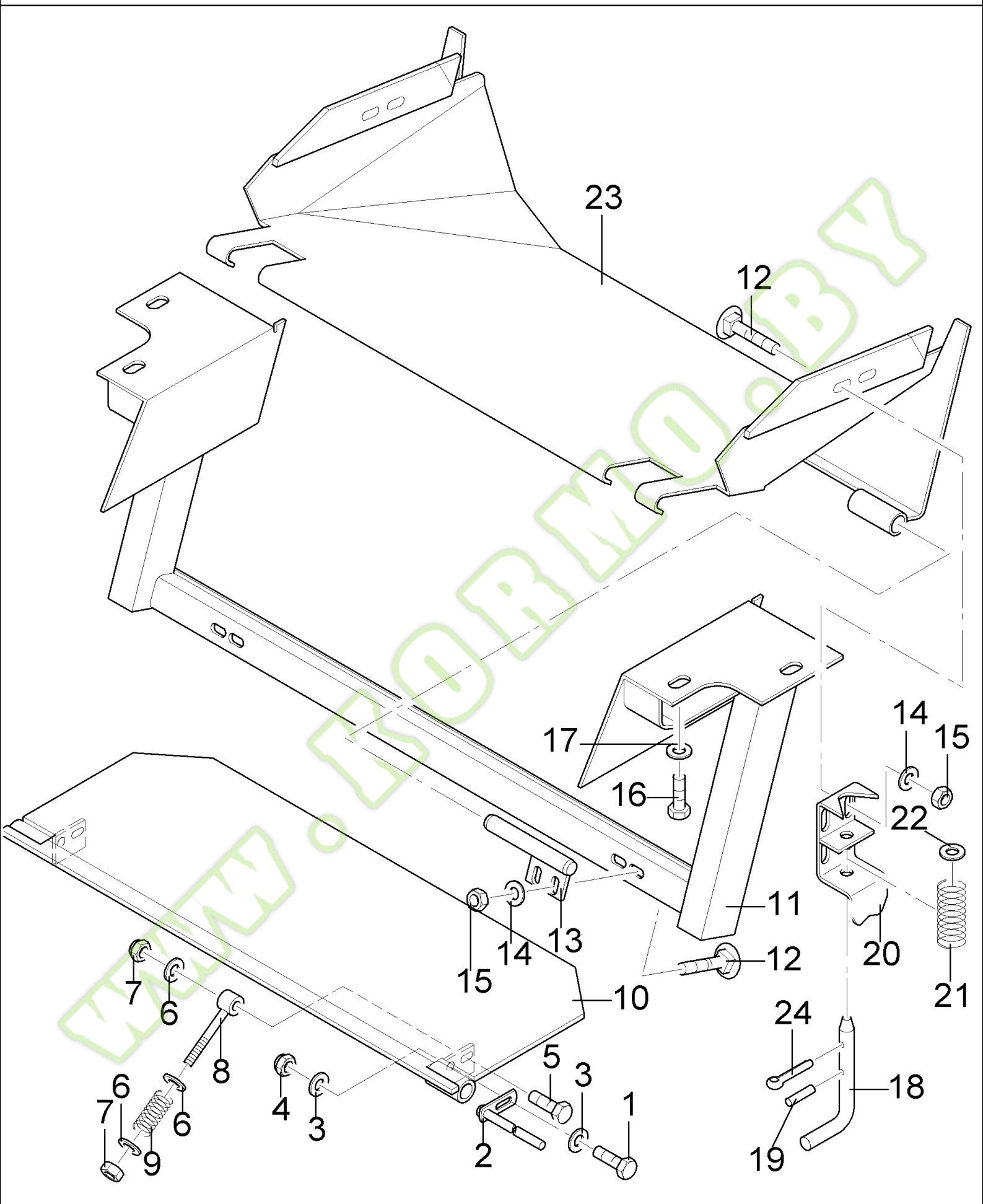


## FX375 NH SELF PROPELLED FORAGE HARVESTER - YELLOW VERSION

## 03.27(01) CUTTERHEAD ACCESSORIES

Ref	Part Number	Qty	Description
1	84014750	2	PIN,
2	84042542	2	SUPPORT,
3	120100	2	BOLT, {PP:80120100} Hex, M6 x 20, 8.8, M6X20
4	84019935	2	U-BRACKET, , -C0409
5	322357	4	WASHER, LOCK, {PP:80322357} Belleville, M6, Belleville, M6
6	9706755	4	NUT, {PP:89706755} M6, CI 8, M6
7	120083	2	SCREW, {PP:80120083} Hex, M12 x 70, 8.8, M12X70
8	337475	4	NUT, {PP:80337475} M12, CI 10, M12
9	916454	2	DAMPER, {PP:80916454}
10	84015293	2	ROD, ADJUSTMENT,
11	84022127	2	HOSE, FLEXIBLE, , -C0412
11	84043367	2	TUBE, RIGID, , D1300-
12	378244	4	WASHER, LOCK, {PP:80378244} 10MM
13	84303	2	NIPPLE, LUBE, {PP:80084303} 1/8"-27 NPT x 1" lg, Fem, , -C0412
13	321204	2	NIPPLE, LUBE, {PP:80321204} , D1300-
14	58948	4	CLAMP, {PP:80058948}
15	84017825	2	COUPLING, QUICK, MALE,
16	647695	1	PIN, {PP:80647695}
17	89837146	1	HANDLE,
18	9506868	2	CHAIN, {PP:89506868}
19	354957	2	HOOK, {PP:80354957}
20	84021024	2	PIN, ROLL,

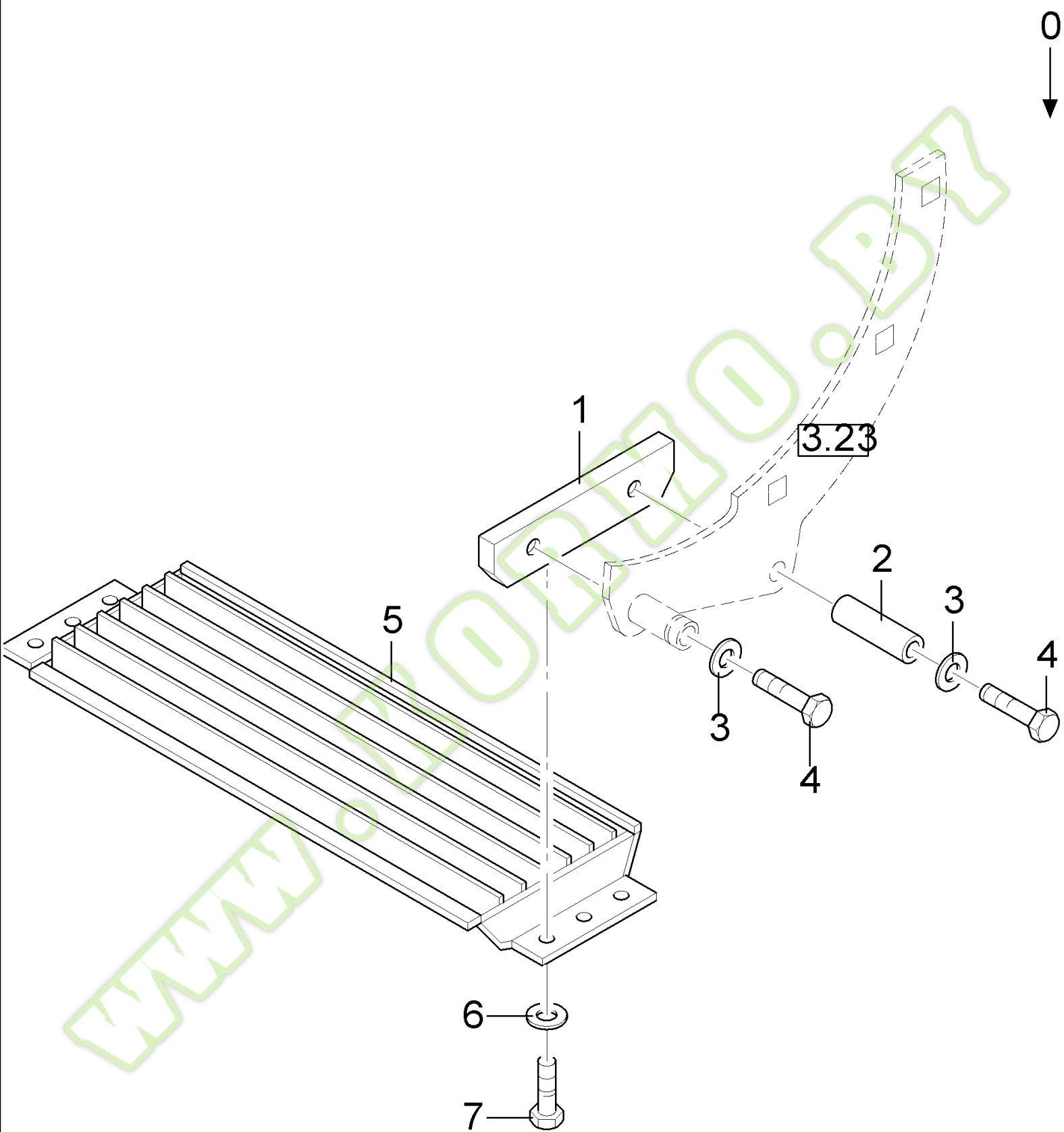




## FX375 NH SELF PROPELLED FORAGE HARVESTER - YELLOW VERSION

## 03.28(01) GRASS PLATE

Ref	Part Number	Qty	Description
1	120100	2	BOLT, {PP:80120100} Hex, M6 x 20, 8.8, M6X20, -C0412
2	84014612	2	PIN, , -C0412
2	84043112	2	PIN, , -C1332
2	84045688	2	PIN, , D3300-
3	140045	2	WASHER, LOCK, {PP:80140045} Belleville, M10, 10MM, -C1332
3	140046	4	WASHER, LOCK, {PP:80140046} Belleville, M12, 12MM, D3300-
3	322357	2	WASHER, LOCK, {PP:80322357} Belleville, M6, Belleville, M6, -C0412
4	100037	2	NUT, {PP:80100037} M10 x 1.5, CI 8, M10, -C1332
4	337475	2	NUT, {PP:80337475} M12, CI 10, M12, D3300-
4	353308	2	NUT, {PP:80353308} M6 x 1, CI 8, M6, -C0412
5	120201	1	SCREW, {PP:80120201} Hex, M10 x 35, 8.8, Full Thd, M10X35
6	378244	3	WASHER, LOCK, {PP:80378244} 10MM
7	100037	2	NUT, {PP:80100037} M10 x 1.5, CI 8, M10
8	84021756	1	BOLT, BANJO, M10X160
9	84021757	1	SPRING,
10	84043138	1	PLATE, , -C5079
10	84068493	1	PLATE, , D5080-
11	84018408	1	SUPPORT,
12	120037	8	BOLT, {PP:80120037} Short NK, M8 x 20, CI8.8, Full Thd, M8X20
13	84014619	2	HINGE,
14	322358	8	WASHER, LOCK, {PP:80322358} Belleville, M8, 8MM
16	120126	4	SCREW, {PP:80120126} Hex, M16 x 30, 8.8, Full Thd, Hex, M16 x 30, 8.8, Full Thd
15	100015	8	NUT, {PP:80100015} M8, CI 8, M8
17	140048	4	WASHER, LOCK, {PP:80140048} Belleville, M16, 16MM
18	84014616	2	HANDLE, CRANKED,
19	130004	2	PIN, SPLIT (COTTER), {PP:80130004} M3.2 x 25,
20	84017507	2	GUIDE,
21	226829	2	SPRING, {PP:80226829}
22	140018	2	WASHER, {PP:80140018} M12 x 24 x 2.5, 12MM
23	84005239	1	PLATE,
24	370539	2	PIN, SPLIT (COTTER), {PP:80370539}
1	9706687	2	SCREW, {PP:89706687} Hex, M12 x 30, 8.8, M12X30, D3300-
1	120109	2	SCREW, {PP:80120109} Hex, M10 x 20, 8.8, Full Thd, M10X20, -C1332



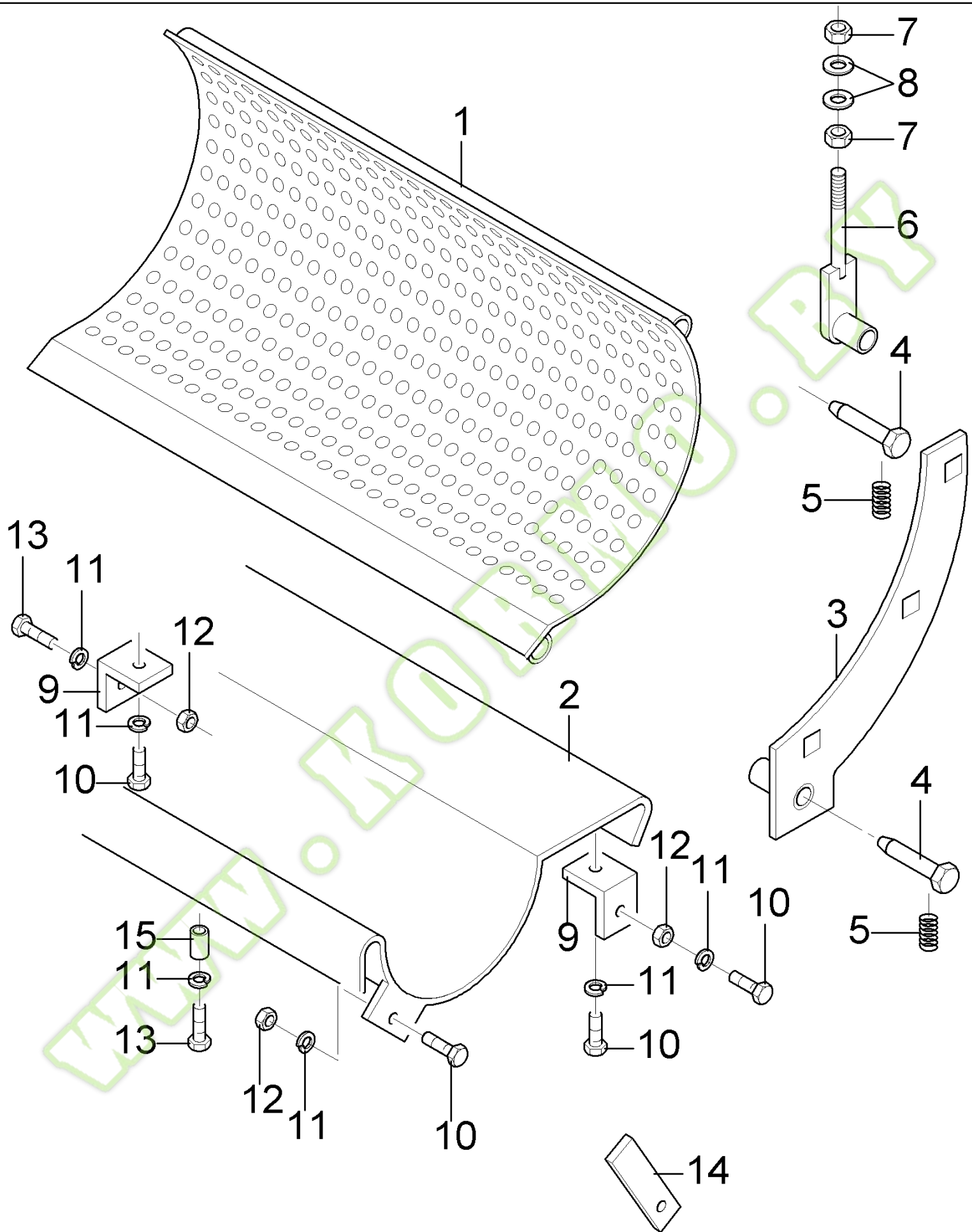
## FX375 NH SELF PROPELLED FORAGE HARVESTER - YELLOW VERSION

## 03.29(01) SHREDBAR KIT

Ref	Part Number	Qty	Description
0	84014156	1	DIA KIT, HARVESTER, (1 TO 7)
1	84012059	2	SUPPORT,
2	84022728	2	BUSHING,
3	394631	4	WASHER, {PP:80394631} 16MM
4	120093	4	SCREW, {PP:80120093} Hex, M16 x 80, 8.8, Hex, M16 x 80, 8.8
5	84012061	1	BLADE, SCRAPER,
6	412655	6	WASHER, LOCK, {PP:80412655} Belleville, M10, 10MM
7	120109	6	SCREW, {PP:80120109} Hex, M10 x 20, 8.8, Full Thd, M10X20

WWW.KORMO.BY

03.30(01) RECUTTER SCREEN



OPTION

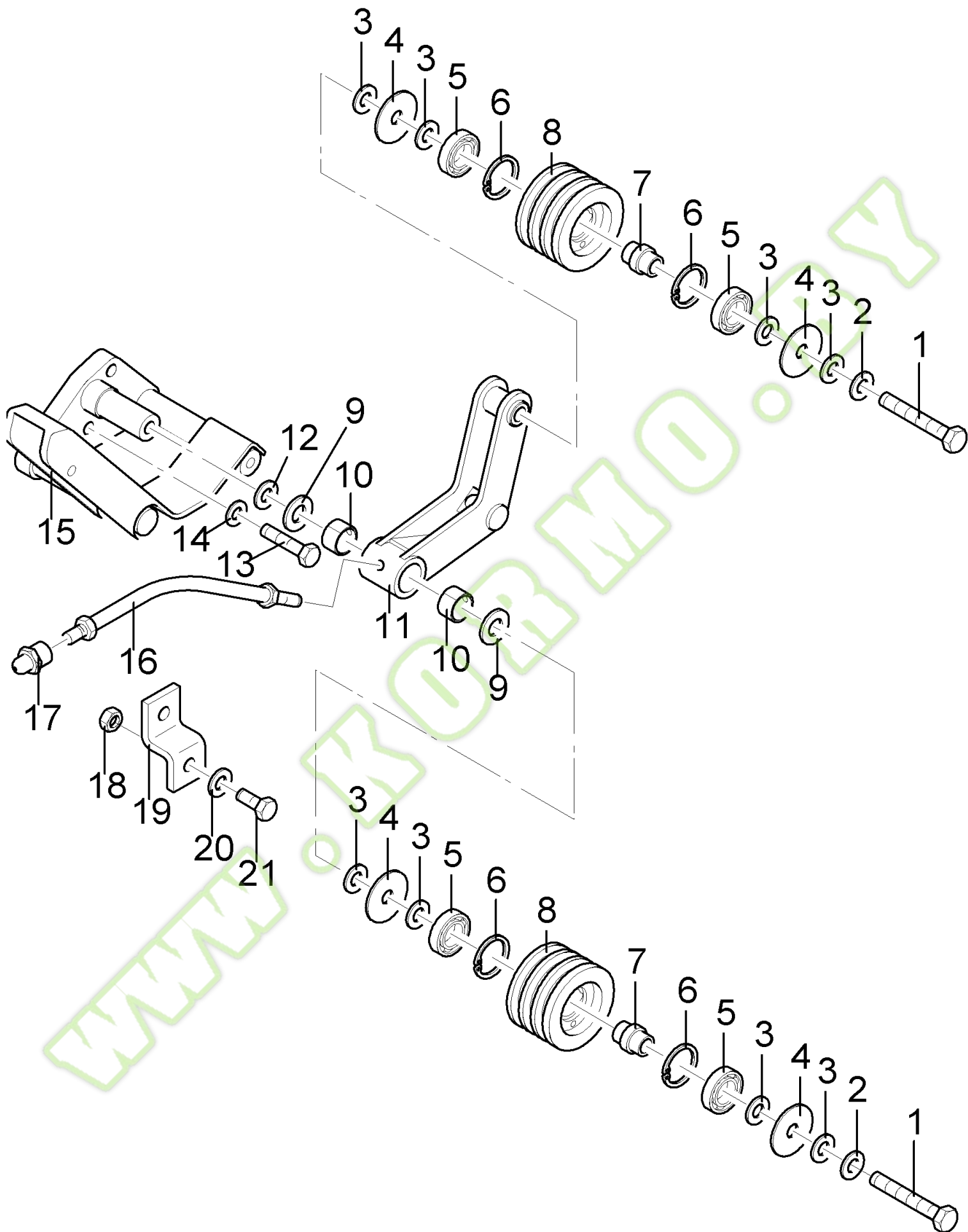
## FX375 NH SELF PROPELLED FORAGE HARVESTER - YELLOW VERSION

## 03.30(01) RECUTTER SCREEN

Ref	Part Number	Qty	Description
1	84032280	1	SCREEN, 25.4X152.4
1	84032281	1	SCREEN, 28X145
1	84032282	1	SCREEN, 32X145
1	84032283	1	SCREEN, 35X145
1	84032284	1	SCREEN, 38X145
1	84032285	1	SCREEN, 41X145
1	84037798	1	SCREEN, 75X170
2	84032214	1	PLATE,
3	84032221	1	PROFILE, RH
3	84032222	1	PROFILE, LH
4	84032273	4	PIN,
5	740591	4	PIN, SPLIT (COTTER), {PP:80740591}
6	84032251	2	ADJUSTER,
7	337475	4	NUT, {PP:80337475} M12, CI 10, M12
8	140046	4	WASHER, LOCK, {PP:80140046} Belleville, M12,
9	84032210	2	ANGLE,
11	140045	AR	WASHER, LOCK, {PP:80140045} Belleville, M10,
12	100016	AR	NUT, {PP:80100016} M10, CI 8, M10
13	120112	AR	SCREW, {PP:80120112} Hex, M10 x 40, 8.8, Full Thd, M10X40
14	84032211	1	PLATE,
15	84032212	4	BUSHING, , -C5060
10	120109	AR	SCREW, {PP:80120109} Hex, M10 x 20, 8.8, Full Thd, M10X20

OPTION



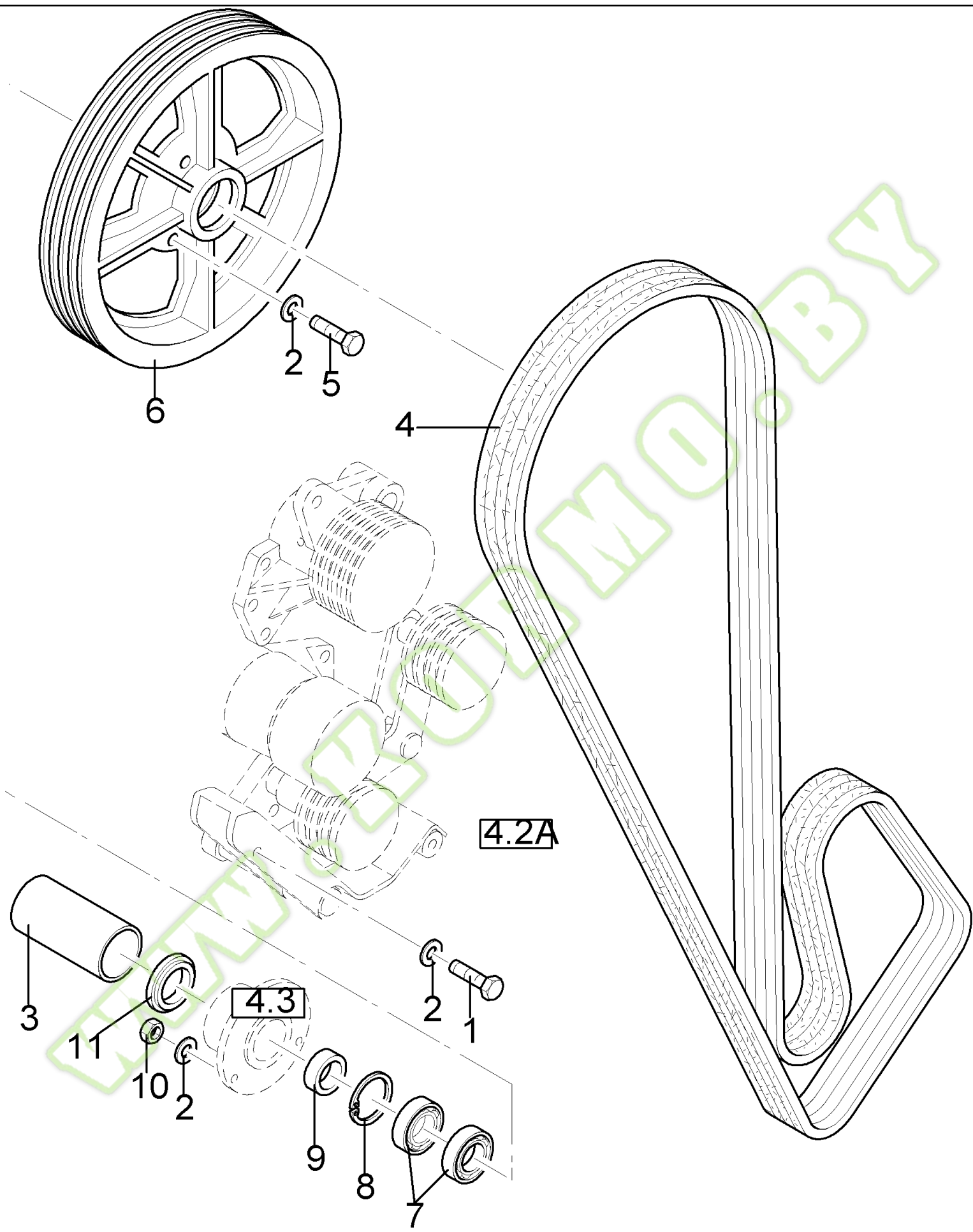


## FX375 NH SELF PROPELLED FORAGE HARVESTER - YELLOW VERSION

## 04.01(01) DRIVE

Ref	Part Number	Qty	Description
1	120183	2	SCREW, {PP:80120183} Hex, M12 x 90, 8.8, M16X90
2	140048	2	WASHER, LOCK, {PP:80140048} Belleville, M16, 16MM
3	378246	8	WASHER, {PP:80378246}
4	84017220	4	WASHER,
5	443898	4	BEARING ASSY, {PP:80443898}
6	370011	4	CIRCLIP, {PP:80370011}
7	84017221	2	BUSHING,
8	84000844	2	PULLEY,
9	9838356	2	WASHER, {PP:89838356}
10	420434	2	BUSHING, {PP:80420434}
11	84018093	1	LEVER,
12	140108	1	WASHER, {PP:80140108}
13	80337563	2	SCREW, M12X40
14	140046	2	WASHER, LOCK, {PP:80140046} Belleville, M12, 12MM
15	84015258	1	SUPPORT,
16	84019781	1	HOSE, FLEXIBLE,
17	84303	1	NIPPLE, LUBE, {PP:80084303} 1/8"-27 NPT x 1" lg, Fem,

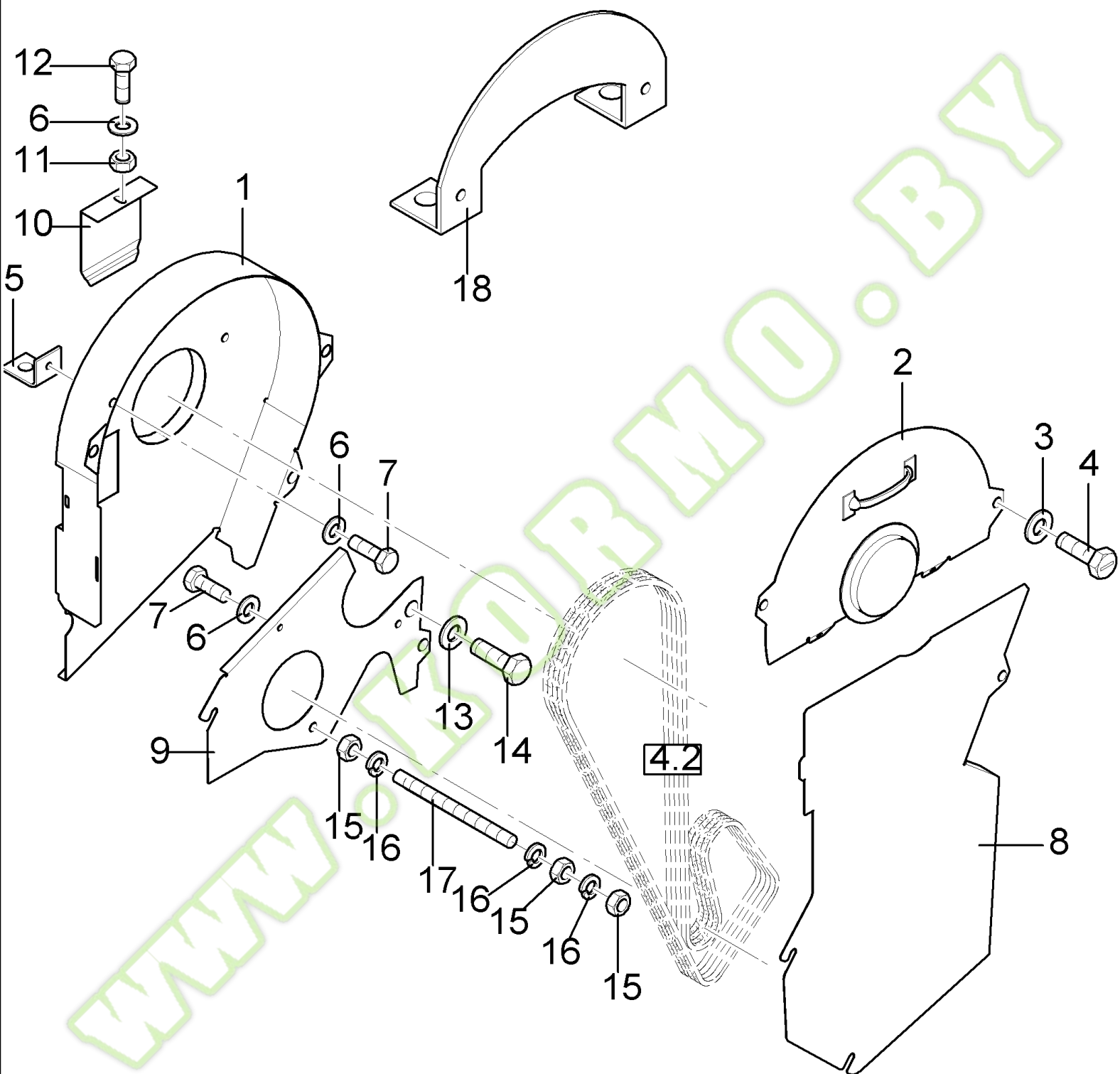




## FX375 NH SELF PROPELLED FORAGE HARVESTER - YELLOW VERSION

## 04.02(01) DRIVE

Ref	Part Number	Qty	Description
2	140045	9	WASHER, LOCK, {PP:80140045} Belleville, M10, 10MM
3	84019021	1	SHIELD, , -C0413
3	84026021	1	BUSHING, , D1400-
4	84026761	1	SET OF BELTS,
4	84058741	1	BELT, TRANSMISSION, 4HA
5	120112	3	SCREW, {PP:80120112} Hex, M10 x 40, 8.8, Full Thd, M10X40
6	84012003	1	PULLEY,
7	25953	2	BEARING, BALL, {PP:80025953}
8	370018	1	RING, SNAP, {PP:80370018}
9	84015773	1	SPACER,
10	100016	3	NUT, {PP:80100016} M10, CI 8, M10
11	84026028	1	RING,
1	120109	3	SCREW, {PP:80120109} Hex, M10 x 20, 8.8, Full Thd, M10X20, -C0413



ONLY VALID FROM SERIAL NO. --14001

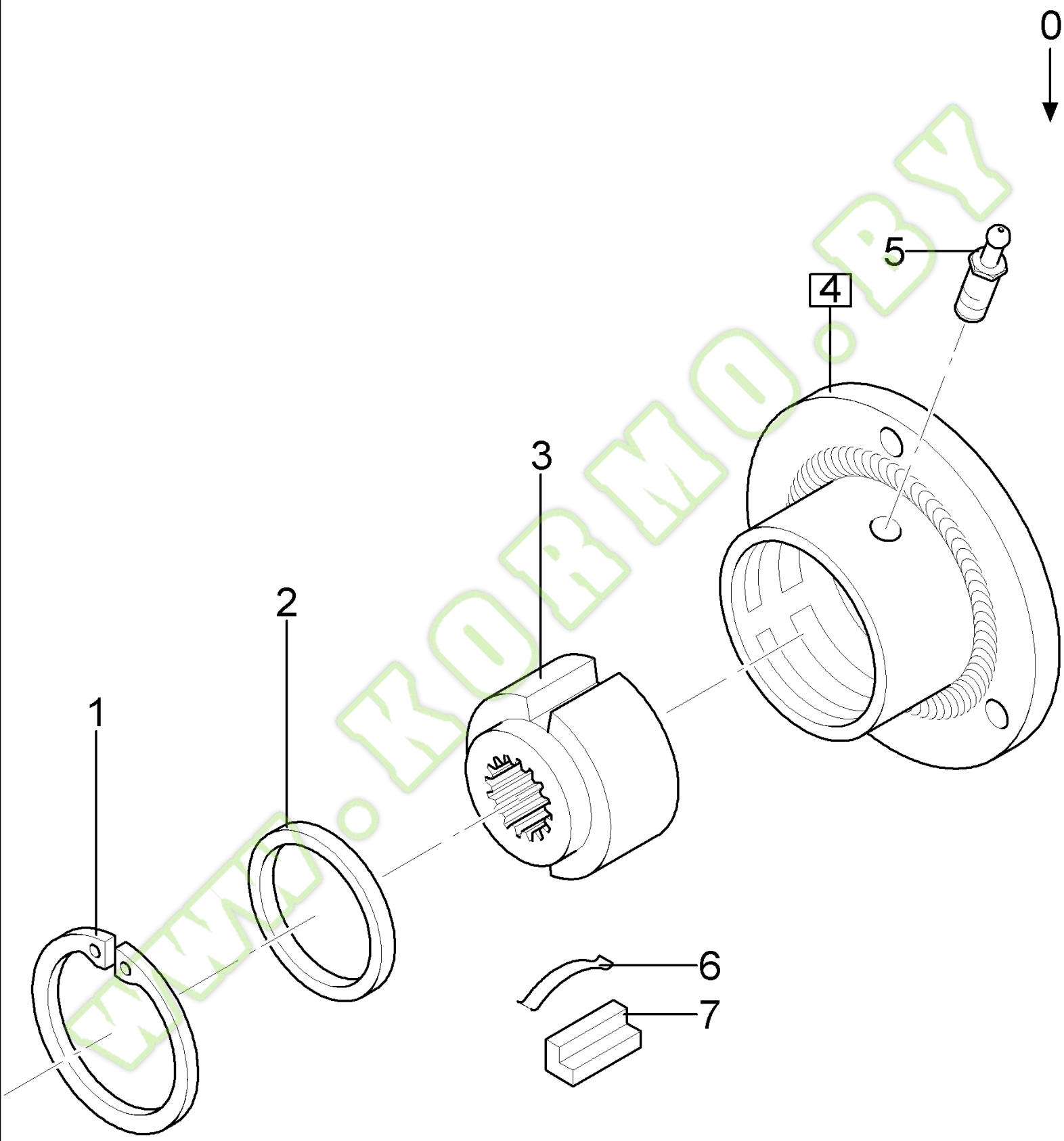
## FX375 NH SELF PROPELLED FORAGE HARVESTER - YELLOW VERSION

## 04.02A(01) GUARDS

Ref	Part Number	Qty	Description
1	84035876	1	PLATE,
2	84052063	1	SHIELD,
3	9514605	4	RING, LOCKING, {PP:89514605}
4	89514603	4	LOCK,
5	84035896	2	BRACKET, , -C5032
6	322358	4	WASHER, LOCK, {PP:80322358} Belleville, M8, 8MM
7	80120104	3	SCREW, M8X20
8	84052011	1	PLATE, COVER,
9	84035944	1	PLATE,
10	84052375	1	COVER,
11	100015	1	NUT, {PP:80100015} M8, CI 8,
12	120037	1	BOLT, {PP:80120037} Short NK, M8 x 20, CI8.8, Full Thd,
13	140045	1	WASHER, LOCK, {PP:80140045} Belleville, M10,
15	337475	3	NUT, {PP:80337475} M12, CI 10,
16	140046	3	WASHER, LOCK, {PP:80140046} Belleville, M12,
17	80412024	1	ROD, THREADED, M12X140
18	84052769	1	BRACKET, , D5033-
14	120109	1	SCREW, {PP:80120109} Hex, M10 x 20, 8.8, Full Thd,

ONLY VALID FROM SERIAL NO. --14001



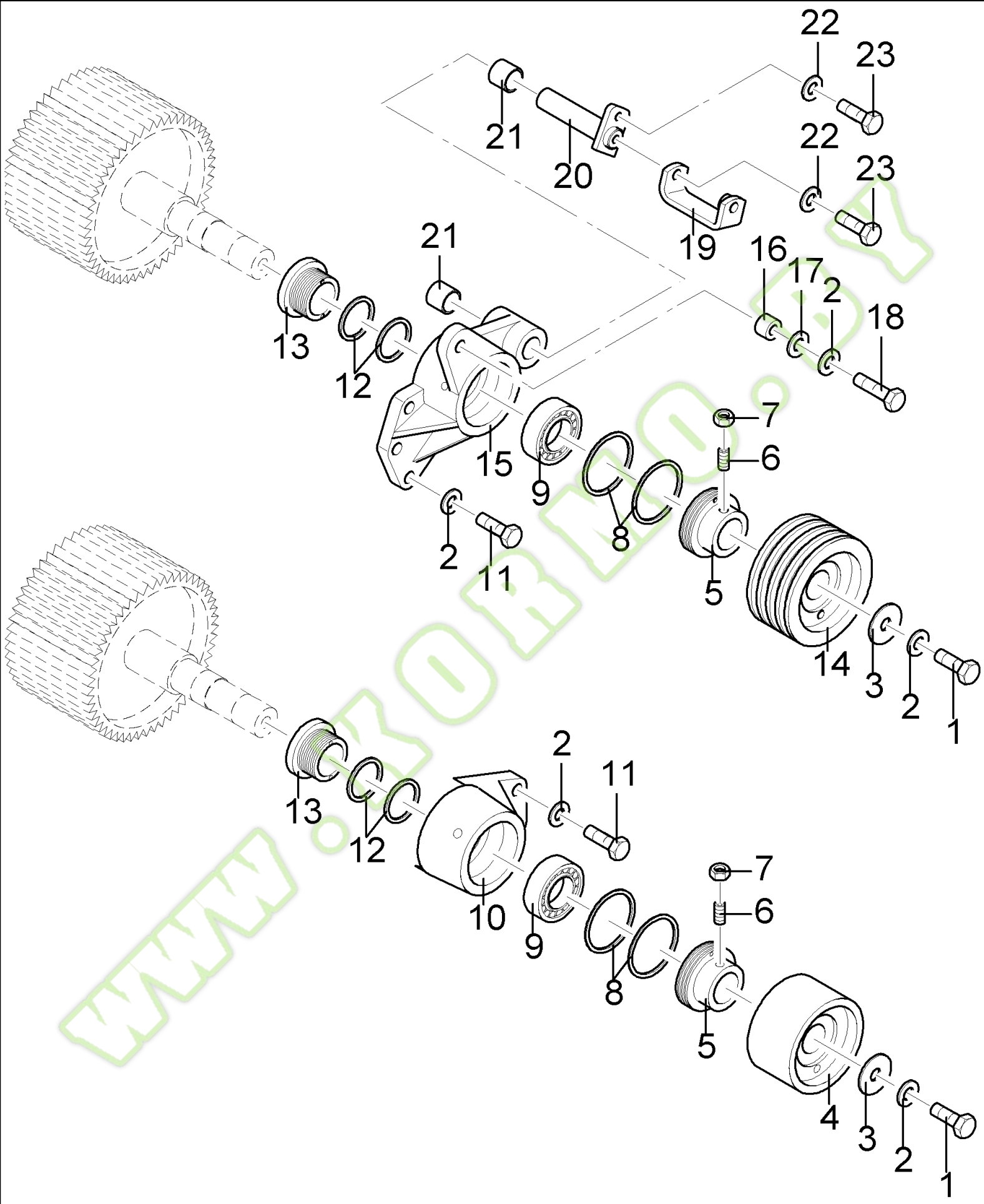


## 04.03(01) CLUTCH

Ref	Part Number	Qty	Description
0	84011945	1	CLUTCH, (1 TO 7)
1	370018	1	RING, SNAP, {PP:80370018}
2	84031293	1	WASHER,
3	84031294	1	HUB,
4	84031295	1	HOUSING, (5)
5	300919	1	NIPPLE, LUBE, {PP:80300919}
6	449317	2	SPRING, {PP:80449317}
7	449316	2	KEY, {PP:80449316}

WWW.KORMO.BY

04.04(01) DRIVE

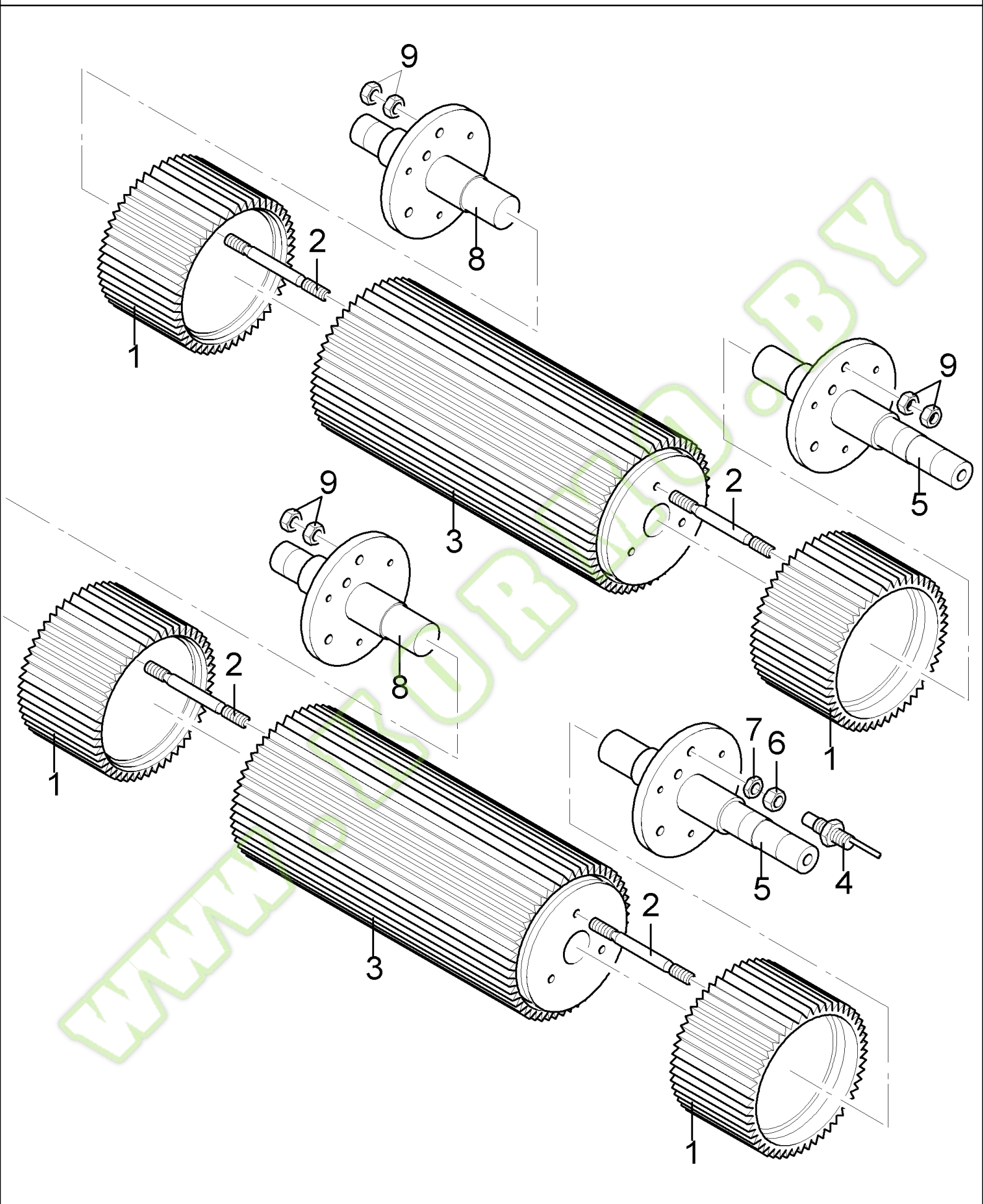


## FX375 NH SELF PROPELLED FORAGE HARVESTER - YELLOW VERSION

## 04.04(01) DRIVE

Ref	Part Number	Qty	Description
2	140046	10	WASHER, LOCK, {PP:80140046} Belleville, M12, 12MM
3	9801096	2	WASHER, {PP:89801096}
4	84023882	1	ROLLER,
5	84000852	2	FLANGE,
6	300478	2	SCREW, {PP:80300478} Hex Soc, M8 x 20, Cup Pt, M8X20
7	100015	2	NUT, {PP:80100015} M8, CI 8, M8
8	89850345	2	SET OF RINGS,
9	323327	2	BEARING ASSY, {PP:80323327}
10	84000859	1	HOUSING, BEARING,
11	80337563	6	SCREW, M12X40
12	89850344	2	SET OF RINGS,
13	84000853	2	FLANGE,
14	84000692	1	PULLEY,
15	84000913	1	HOUSING, BEARING,
16	84000851	2	BUSHING,
17	378245	2	WASHER, {PP:80378245} 12MM
18	300389	2	SCREW, {PP:80300389} Hex, M12 x 35, 8.8, Full Thd, M12X35
19	84019019	1	BRACKET, , -C0413
20	84000928	2	PIN,
21	84019797	4	BUSHING,
22	140045	3	WASHER, LOCK, {PP:80140045} Belleville, M10, 10MM
1	9706687	2	SCREW, {PP:89706687} Hex, M12 x 30, 8.8, M12X30
23	120109	3	SCREW, {PP:80120109} Hex, M10 x 20, 8.8, Full Thd, M10X20



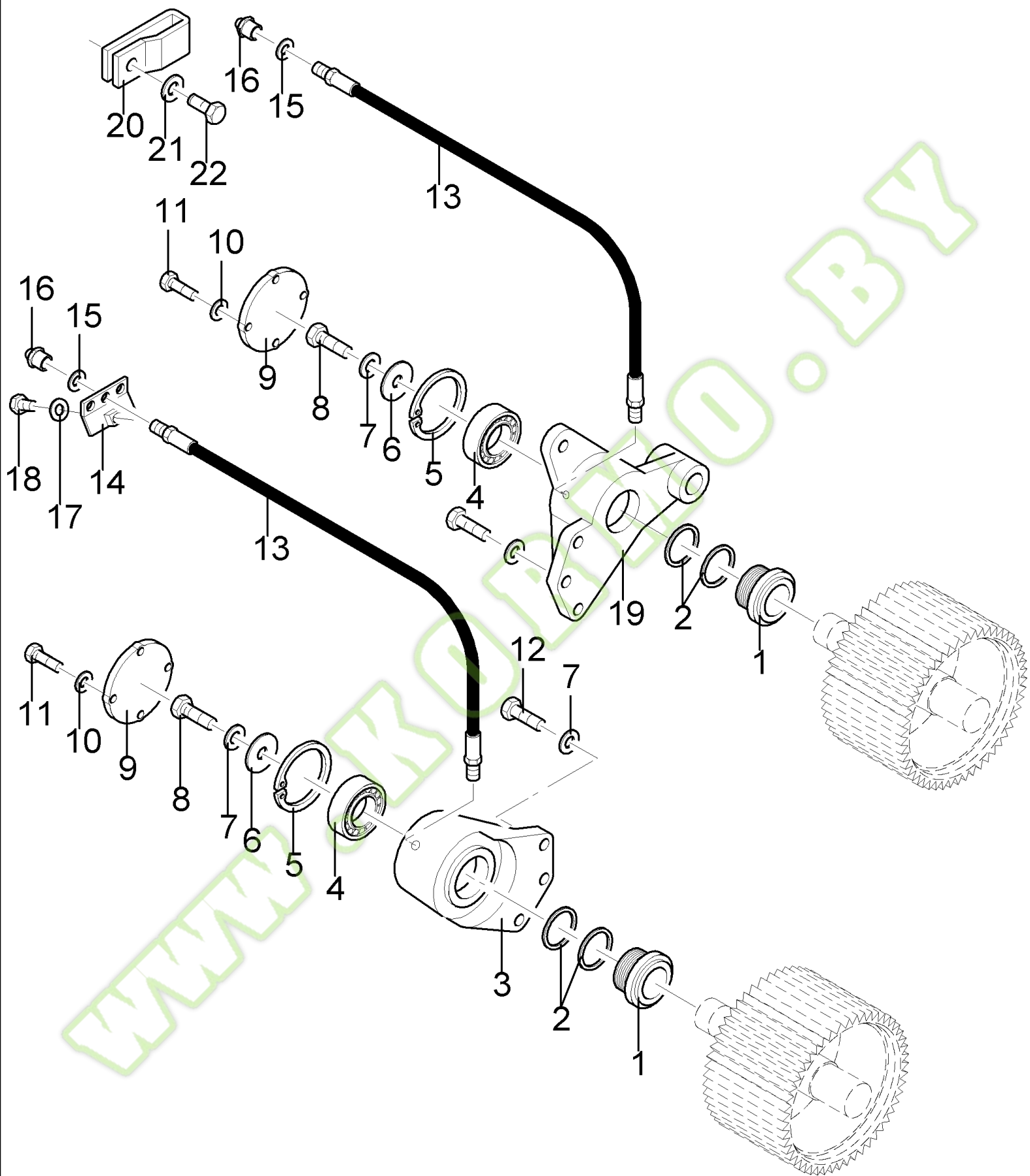


## FX375 NH SELF PROPELLED FORAGE HARVESTER - YELLOW VERSION

## 04.05(01) ROLLS

Ref	Part Number	Qty	Description
1	84019782	4	ROLLER,
2	84004047	12	ROD, THREADED,
3	84019783	2	ROLLER,
4	84036824	1	SENSOR,
5	84000685	2	FLANGE,
6	100039	3	NUT, {PP:80100039} M16 x 2, CI 8, M12
7	323238	3	NUT, {PP:80323238} Thin, M12 x 1.75, CI 05, M12
8	84000684	2	FLANGE,
9	337475	18	NUT, {PP:80337475} M12, CI 10, M12

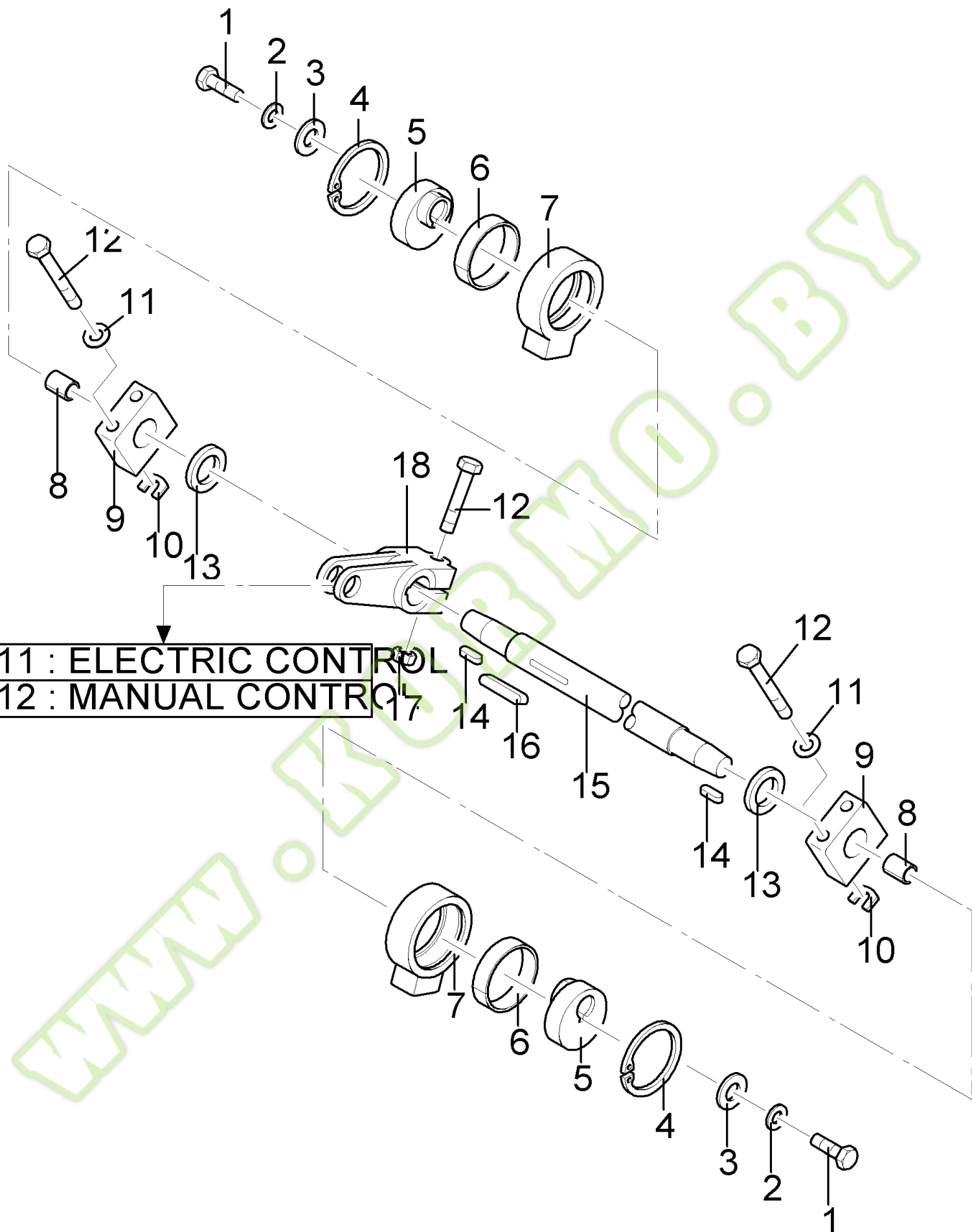
WWW.KORMO.BY



## FX375 NH SELF PROPELLED FORAGE HARVESTER - YELLOW VERSION

04.06(01) DRIVE

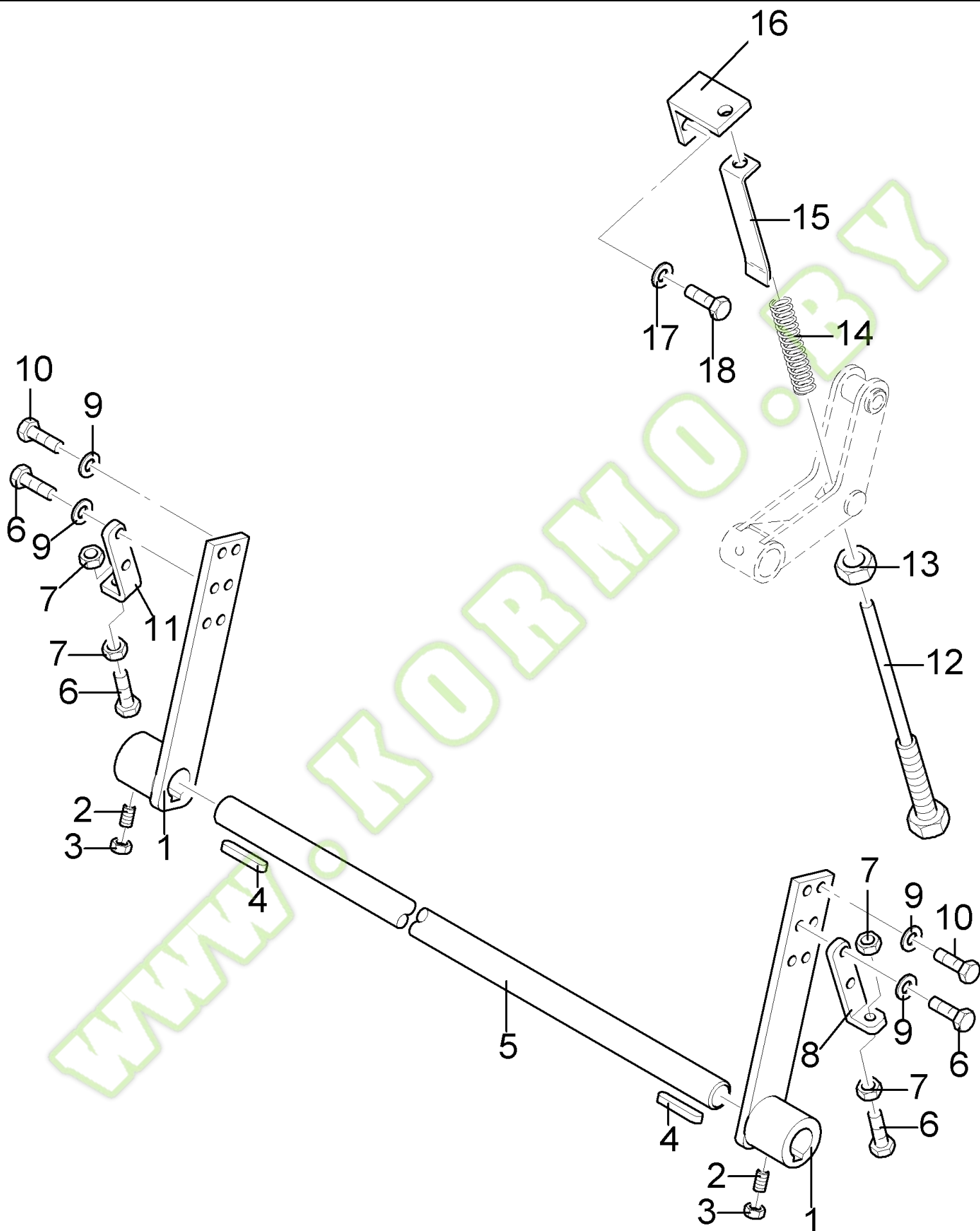
Ref	Part Number	Qty	Description
1	84000853	2	FLANGE,
2	89850344	2	SET OF RINGS,
3	84000857	1	HOUSING, BEARING,
4	323327	2	BEARING ASSY, {PP:80323327}
5	80300633	2	RING, SNAP,
6	214445	2	WASHER, {PP:80214445}
7	140046	8	WASHER, LOCK, {PP:80140046} Belleville, M12, 12MM
9	84018071	2	COVER,
10	322357	8	WASHER, LOCK, {PP:80322357} Belleville, M6, Belleville, M6
11	80120099	8	SCREW, Hex, M6 x 16, 8.8, M6X16
12	80337563	6	SCREW, M12X40
13	89615918	4	HOSE,
14	84018074	2	BRACKET,
15	378244	5	WASHER, LOCK, {PP:80378244}
16	84303	4	NIPPLE, LUBE, {PP:80084303} 1/8"-27 NPT x 1" lg, Fem,
17	322358	2	WASHER, LOCK, {PP:80322358} Belleville, M8, 8MM
18	80120104	2	SCREW, M8X20
19	84000911	1	HOUSING, BEARING,
20	417412	1	CLAMP, {PP:80417412} , D0900-
21	140045	1	WASHER, LOCK, {PP:80140045} Belleville, M10, , D0900-
8	9706687	2	SCREW, {PP:89706687} Hex, M12 x 30, 8.8, M12X30
22	120109	1	SCREW, {PP:80120109} Hex, M10 x 20, 8.8, Full Thd, M10X20, D0900-



## FX375 NH SELF PROPELLED FORAGE HARVESTER - YELLOW VERSION

## 04.07(01) ROLL ADJUSTMENT

Ref	Part Number	Qty	Description
2	140045	2	WASHER, LOCK, {PP:80140045} Belleville, M10, 10MM
3	140042	2	WASHER, LOCK, {PP:80140042} M10 x 34 x 3, 10MM
4	80300633	2	RING, SNAP,
5	84011789	2	ECCENTRIC,
6	84036158	2	SLEEVE,
7	84011665	2	HOUSING, BEARING,
8	210022	2	SLEEVE, {PP:80210022}
9	84036200	2	HOUSING, BEARING,
10	9840320	AR	SHIM, {PP:89840320} , -C0408
11	140046	4	WASHER, LOCK, {PP:80140046} Belleville, M12, 12MM
12	120084	5	SCREW, {PP:80120084} Hex, M12 x 80, 8.8, M12X80
13	743469	2	WASHER, {PP:80743469}
14	170005	2	KEY, {PP:80170005}
15	84011790	1	SHAFT,
16	170012	1	KEY, {PP:80170012}
17	337475	1	NUT, {PP:80337475} M12, CI 10, M12
18	84036404	1	LEVER,
1	120109	2	SCREW, {PP:80120109} Hex, M10 x 20, 8.8, Full Thd, M10X20

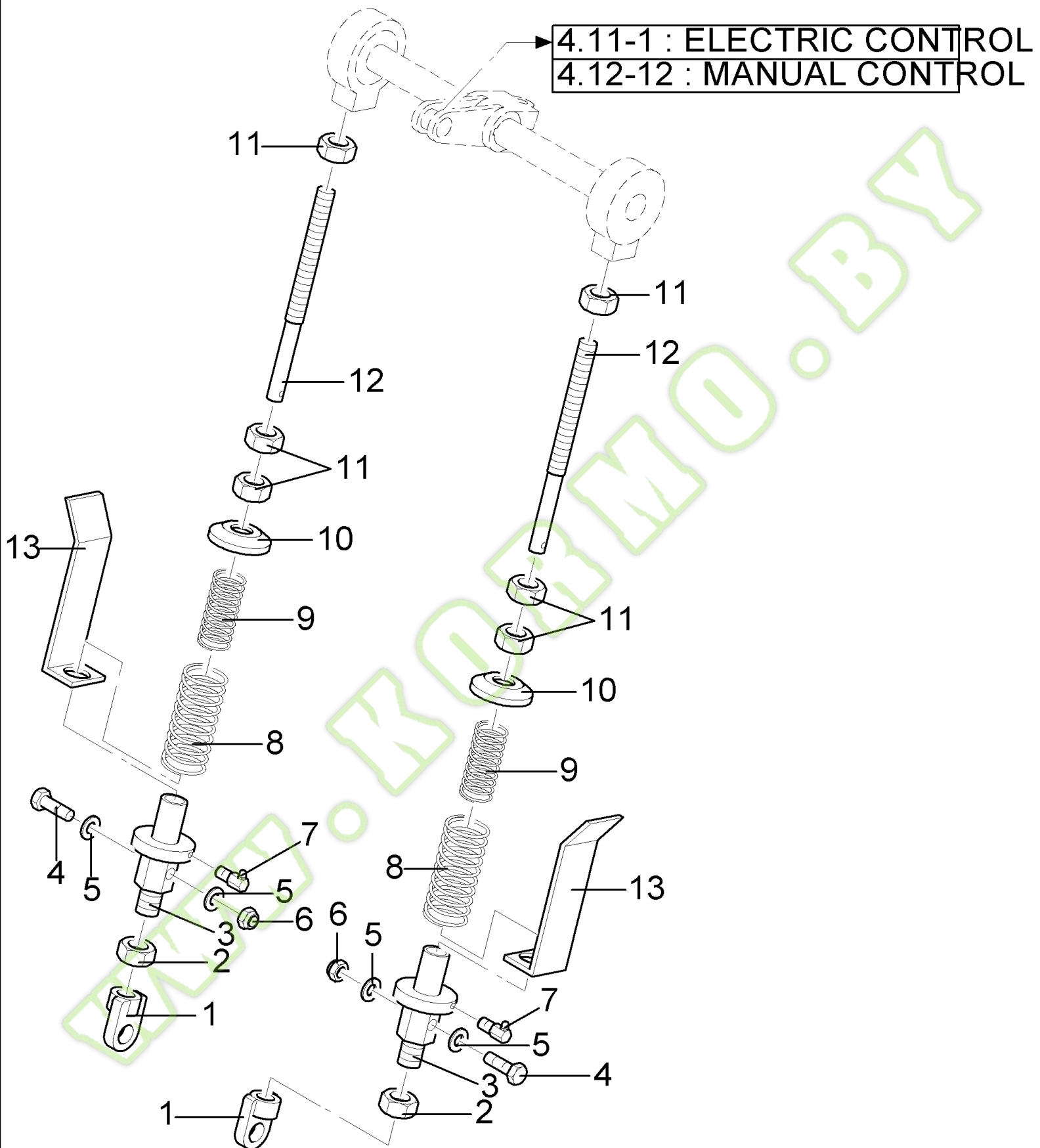


## FX375 NH SELF PROPELLED FORAGE HARVESTER - YELLOW VERSION

## 04.08(01) ROLL ADJUSTMENT

Ref	Part Number	Qty	Description
1	84000848	2	SUPPORT,
2	300478	2	SCREW, {PP:80300478} Hex Soc, M8 x 20, Cup Pt, M8X20
3	100015	2	NUT, {PP:80100015} M8, CI 8, M8
4	323190	2	KEY, {PP:80323190}
5	84000850	1	SHAFT,
6	80337563	6	SCREW, M12X40
7	337475	4	NUT, {PP:80337475} M12, CI 10, M12
8	84017962	1	BRACKET,
9	140046	6	WASHER, LOCK, {PP:80140046} Belleville, M12, 12MM
10	300389	2	SCREW, {PP:80300389} Hex, M12 x 35, 8.8, Full Thd, M12X35
11	84017961	1	BRACKET,
12	84000921	1	ROD, THREADED,
13	100033	1	NUT, {PP:80100033} Thin, M24 x 1.5, CI 04, M24
14	354085	1	SPRING, {PP:80354085}
15	84042679	1	INDICATOR,
16	84004045	1	BRACKET,
17	140045	2	WASHER, LOCK, {PP:80140045} Belleville, M10, 10MM
18	120069	2	SCREW, {PP:80120069} Hex, M10 x 50, 8.8, M10X50



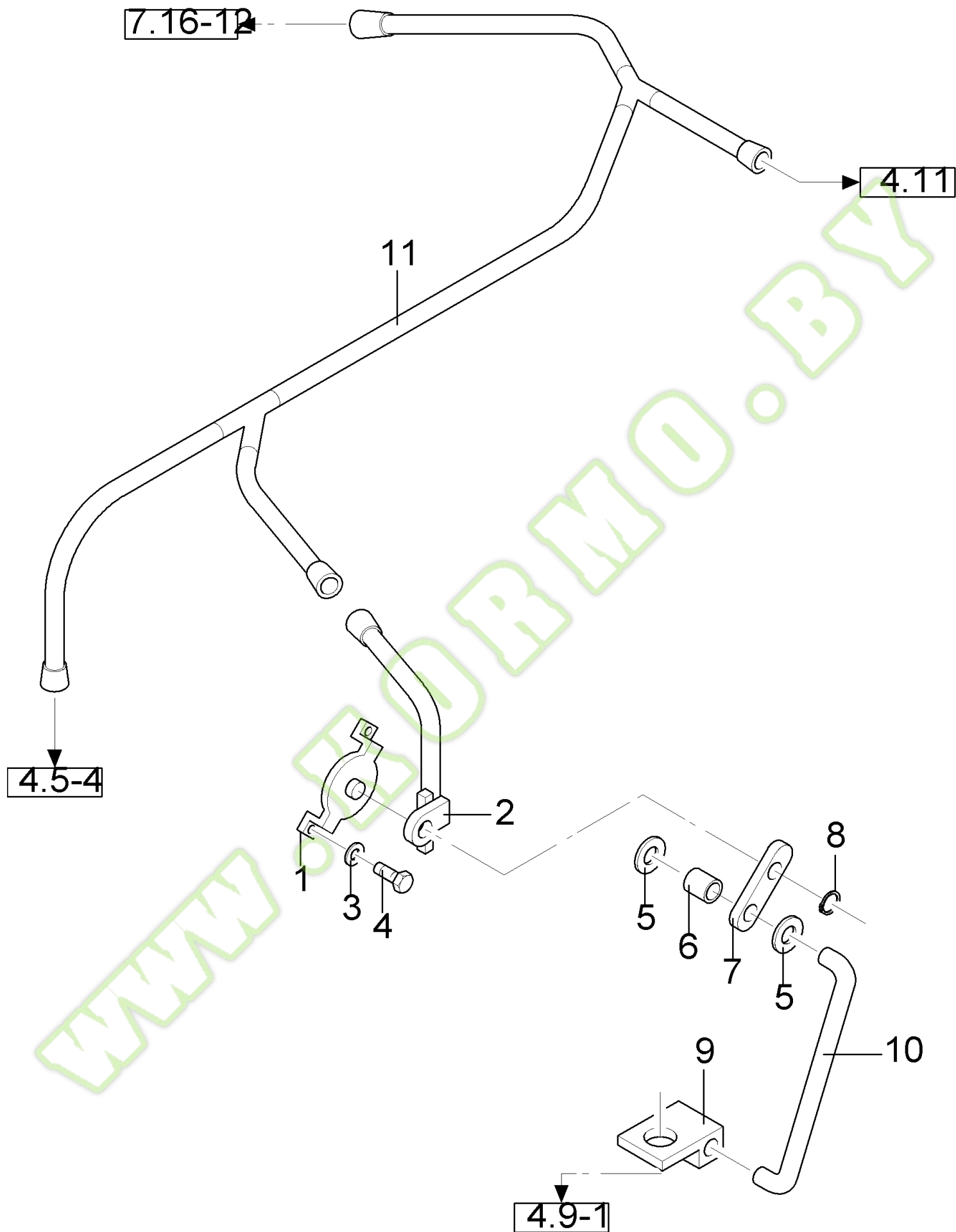


## FX375 NH SELF PROPELLED FORAGE HARVESTER - YELLOW VERSION

## 04.09(01) ROLL ADJUSTMENT

Ref	Part Number	Qty	Description
1	84000855	2	SUPPORT,
2	84011539	2	NUT, Thin, M20 x 1.5, CI 05, LH, M20
3	84022891	2	SUPPORT,
4	120069	2	SCREW, {PP:80120069} Hex, M10 x 50, 8.8, M10X50
5	378244	4	WASHER, LOCK, {PP:80378244}
6	100037	2	NUT, {PP:80100037} M10 x 1.5, CI 8, M10
7	323713	2	NIPPLE, LUBE, {PP:80323713}
8	9814760	2	SPRING, {PP:89814760}
9	9814761	2	SPRING, {PP:89814761}
10	89850009	2	RING,
11	320771	6	NUT, {PP:80320771} Thin, M20 x 1.5, CI 04, M20
12	84012281	2	ROD, THREADED,
13	84037178	2	INDICATOR, , D1300-

WWW.KORMO.BY

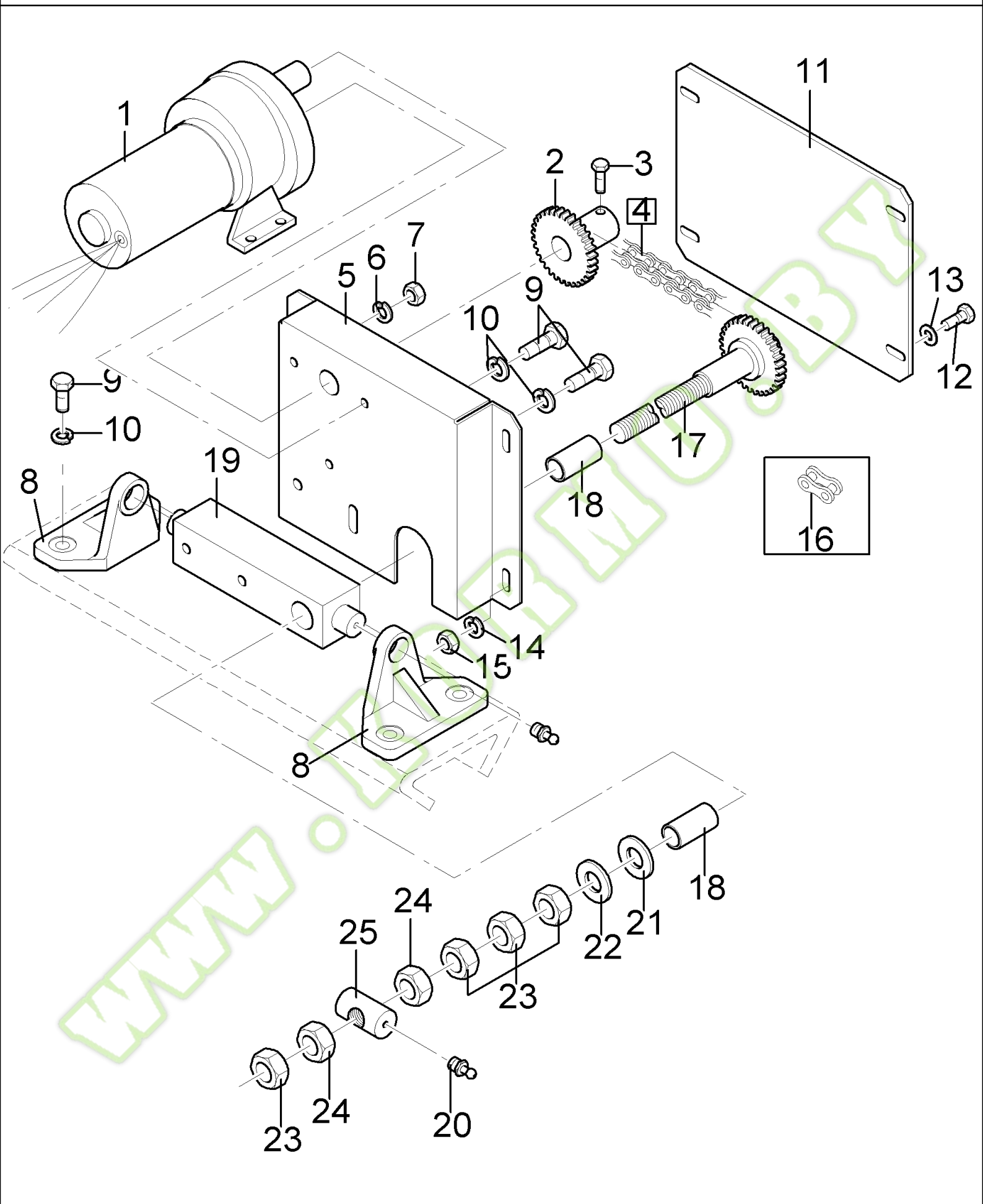


## FX375 NH SELF PROPELLED FORAGE HARVESTER - YELLOW VERSION

## 04.10(01) ELECTRICAL CONTROL

Ref	Part Number	Qty	Description
1	E6NNT936AA	1	BRACKET, {PP:83981890}
2	9594791	1	SENSOR, {PP:89594791}
3	140045	2	WASHER, LOCK, {PP:80140045} Belleville, M10, 10MM
5	398561	4	CLIP, {PP:80398561}
6	E6NNT934AA	1	BUSHING, {PP:83981915}
7	E6NNT933AA	1	LEVER, {PP:83981913}
8	N663107S36	1	CIRCLIP, {PP:83981963}
9	84011824	1	BRACKET,
10	84011825	1	ROD,
11	84035639	1	HARNESS, WIRE,
4	120109	2	SCREW, {PP:80120109} Hex, M10 x 20, 8.8, Full Thd, M10X20

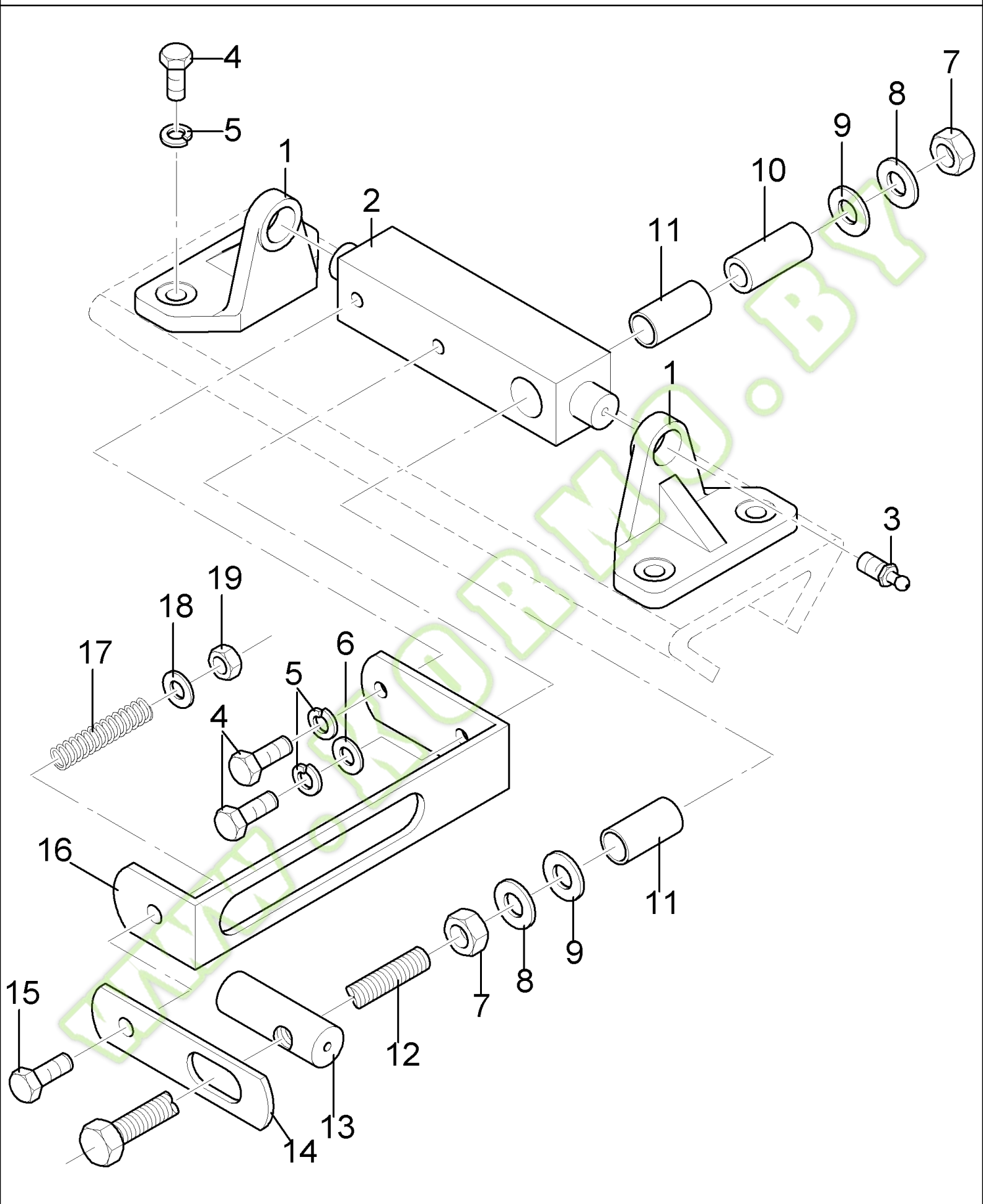
WWW.KORMO.BY



## FX375 NH SELF PROPELLED FORAGE HARVESTER - YELLOW VERSION

## 04.11(01) ELECTRICAL CONTROL

Ref	Part Number	Qty	Description
1	84019727	1	MOTOR, ELECTRIC, SMALL,
2	84017037	1	SPROCKET, DRIVEN,
3	84012755	1	SCREW, Hex Soc, M6 x 5, M6X6
4	84036397	1	CHAIN, (16)
5	84036403	1	SUPPORT,
6	322357	3	WASHER, LOCK, {PP:80322357} Belleville, M6, Belleville, M6
7	88542	3	SCREW, {PP:80088542} Hex, 1/4"-20 x 1/2", G5, Full Thd, .25"X.50"
8	84036413	2	HOUSING, BEARING,
9	43139	4	SCREW, {PP:80043139} Hex, M10 x 25, 8.8, Full Thd, M10X25
10	140045	4	WASHER, LOCK, {PP:80140045} Belleville, M10,
11	84036401	1	PLATE,
13	378243	4	WASHER, {PP:80378243}
14	322358	4	WASHER, LOCK, {PP:80322358} Belleville, M8,
15	100015	4	NUT, {PP:80100015} M8, CI 8, M8
16	25195	1	LINK, CONNECTING, {PP:80025195}
17	84036437	1	ROD, THREADED,
18	382975	2	BUSHING, {PP:80382975}
19	84036405	1	SUPPORT,
20	321204	2	NIPPLE, LUBE, {PP:80321204}
21	168100	4	SHIM, {PP:80168100}
22	378247	1	WASHER, {PP:80378247}
23	320771	4	NUT, {PP:80320771} Thin, M20 x 1.5, CI 04, M20X1.5
24	84036420	2	NUT, M20X1.5
25	84036419	1	PIN,
12	16043224	4	SCREW, Hex, M8 x 16, 8.8, Full Thd, M8X16



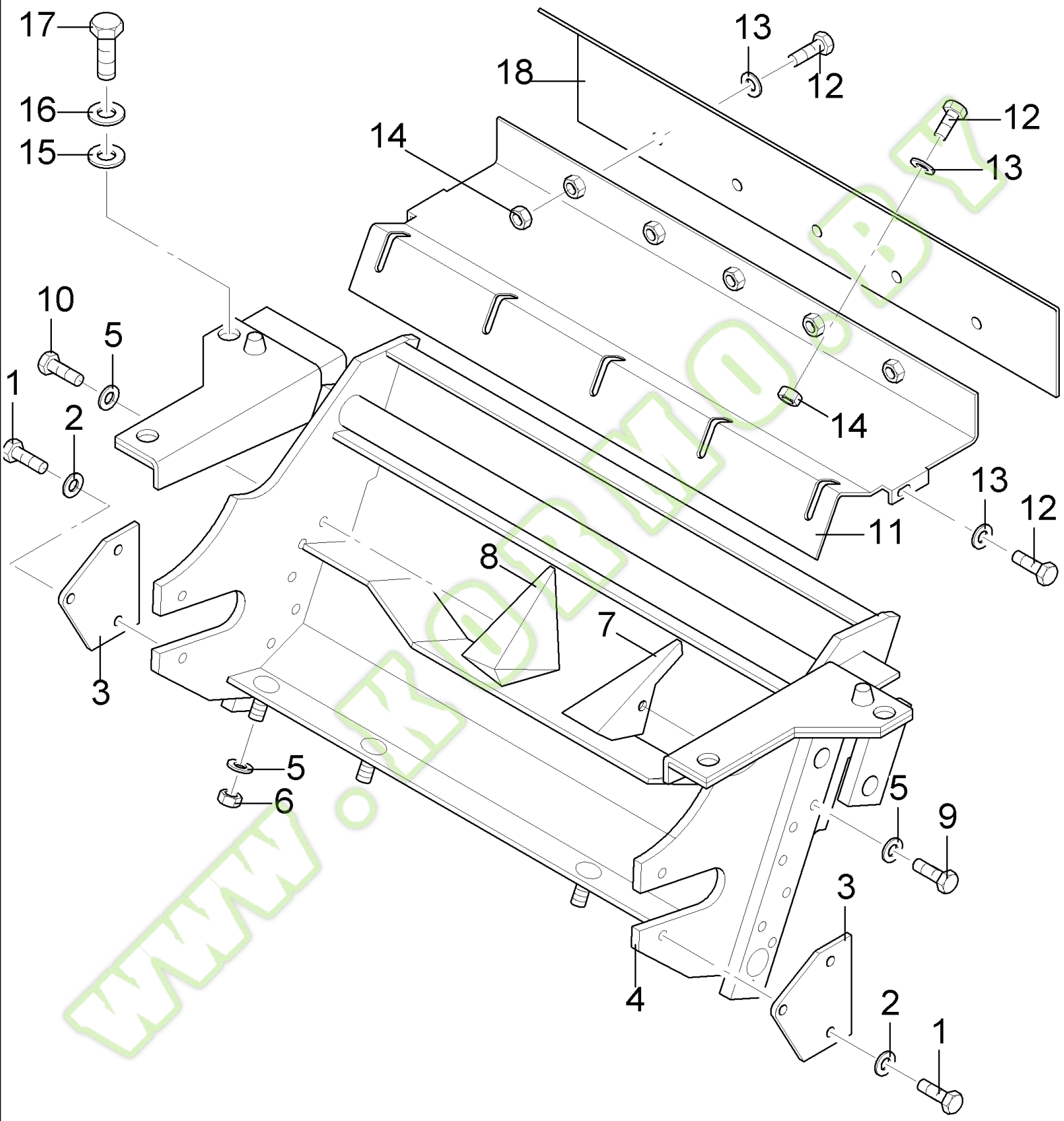
## FX375 NH SELF PROPELLED FORAGE HARVESTER - YELLOW VERSION

## 04.12(01) MANUAL CONTROL

Ref	Part Number	Qty	Description
1	84036413	2	HOUSING, BEARING,
2	84036405	1	SUPPORT,
3	321204	2	NIPPLE, LUBE, {PP:80321204}
4	43139	6	SCREW, {PP:80043139} Hex, M10 x 25, 8.8, Full Thd, M10X25
5	140045	6	WASHER, LOCK, {PP:80140045} Belleville, M10,
6	140042	1	WASHER, LOCK, {PP:80140042} M10 x 34 x 3,
7	100020	2	NUT, {PP:80100020} M16, CI 8, M16, CI 8
8	325594	2	WASHER, {PP:80325594}
9	168100	4	SHIM, {PP:80168100}
10	84036407	1	BUSHING,
11	382975	2	BUSHING, {PP:80382975}
12	84036409	1	ROD, THREADED, Hex, M16 x 314, 8.8, Full Thd,
13	84036410	1	PIN,
14	84036411	1	LOCK,
15	120122	1	SCREW, {PP:80120122} Hex, M12 x 50, 8.8, Full Thd, M12X50
16	84036412	1	SUPPORT,
17	84021274	1	SPRING,
18	378245	1	WASHER, {PP:80378245}
19	100038	1	NUT, LOCK, {PP:80100038} M12 x 1.75, CI 8, M12



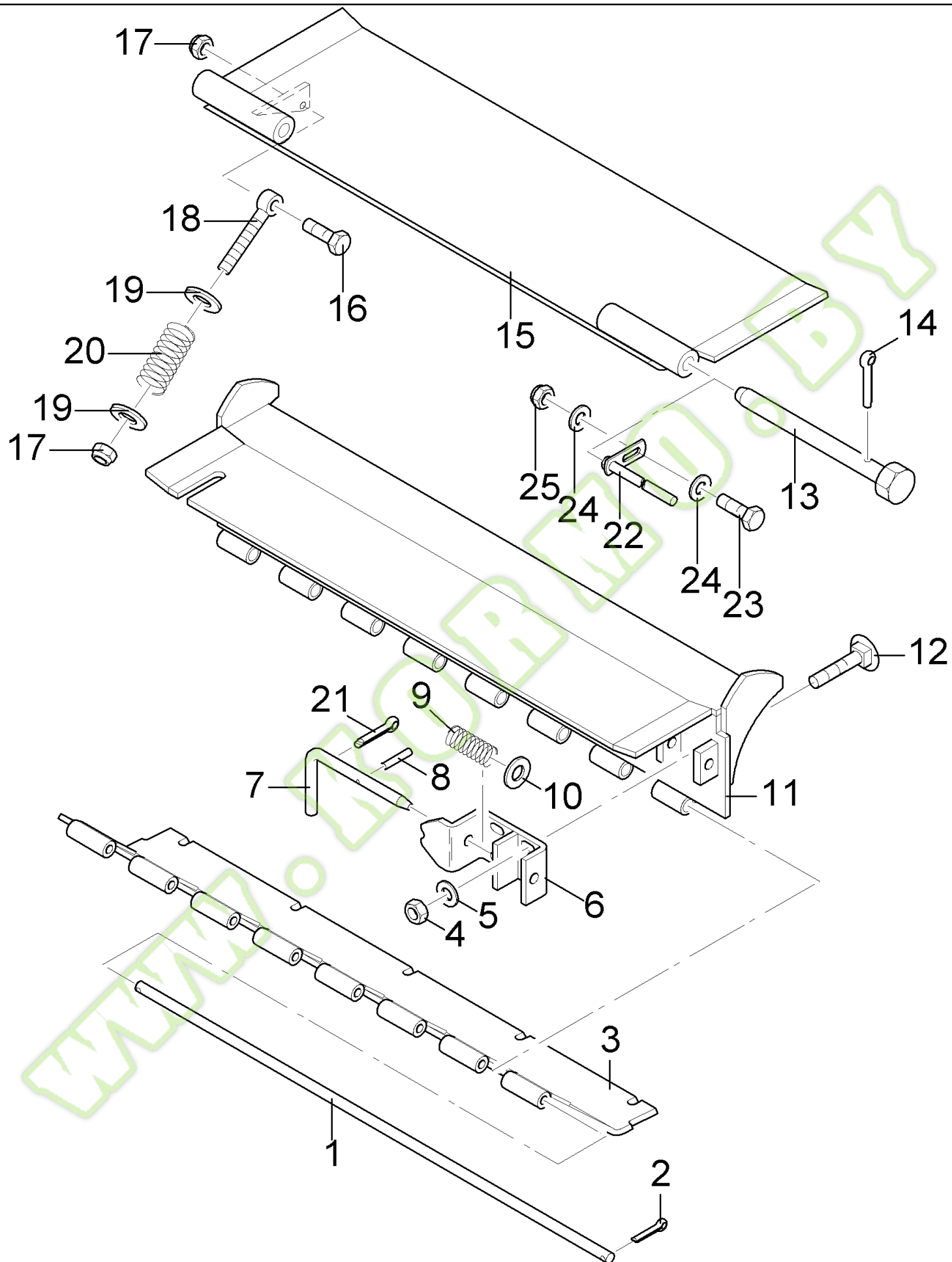
04.13(01) FRAME AND GUARDS



## FX375 NH SELF PROPELLED FORAGE HARVESTER - YELLOW VERSION

## 04.13(01) FRAME AND GUARDS

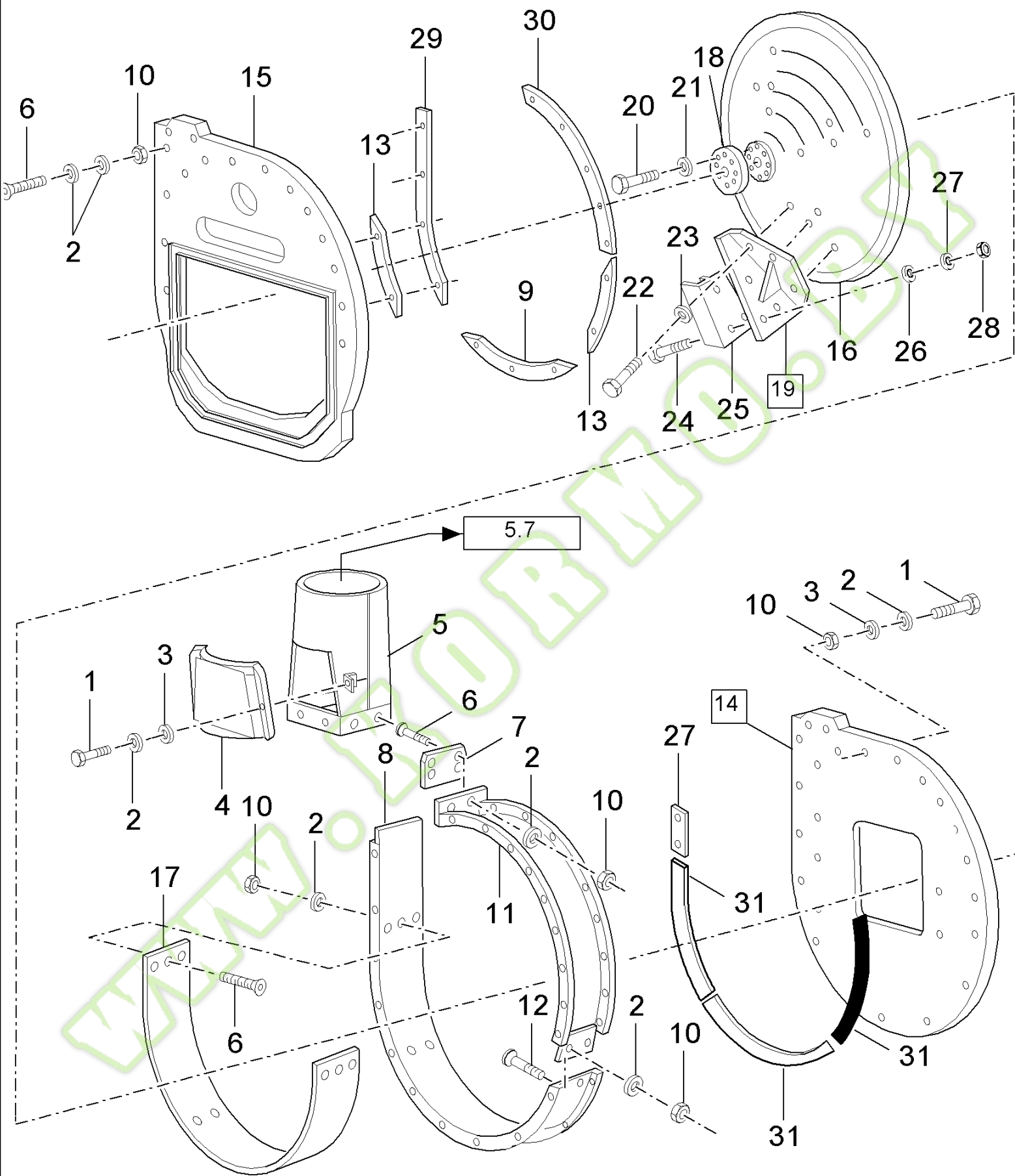
Ref	Part Number	Qty	Description
1	388113	4	SCREW, {PP:80388113} Hex, M12 x 16, 8.8, Full Thd, M12X16
2	140046	4	WASHER, LOCK, {PP:80140046} Belleville, M12, 12MM
3	84018327	2	PLATE, COVER,
4	84001330	1	FRAME,
5	140045	9	WASHER, LOCK, {PP:80140045} Belleville, M10, 10MM
6	100016	5	NUT, {PP:80100016} M10, CI 8, M10
7	84001328	1	PLATE, SKID,
8	84001329	1	PLATE, SKID,
9	120069	2	SCREW, {PP:80120069} Hex, M10 x 50, 8.8, M10X50
10	325829	2	SCREW, {PP:80325829} Hex, M10 x 45, 8.8, M10X45
11	84026149	1	COVER,
12	80120104	12	SCREW, M8X20
13	322358	12	WASHER, LOCK, {PP:80322358} Belleville, M8,
14	100015	10	NUT, {PP:80100015} M8, CI 8, M8
15	378246	4	WASHER, {PP:80378246}
16	140048	4	WASHER, LOCK, {PP:80140048} Belleville, M16, 16MM
17	120089	4	BOLT, {PP:80120089} Hex, M16 x 40, 8.8, Hex, M16 x 40, 8.8
18	84026147	1	COVER,



## FX375 NH SELF PROPELLED FORAGE HARVESTER - YELLOW VERSION

## 04.14(01) GUARDS

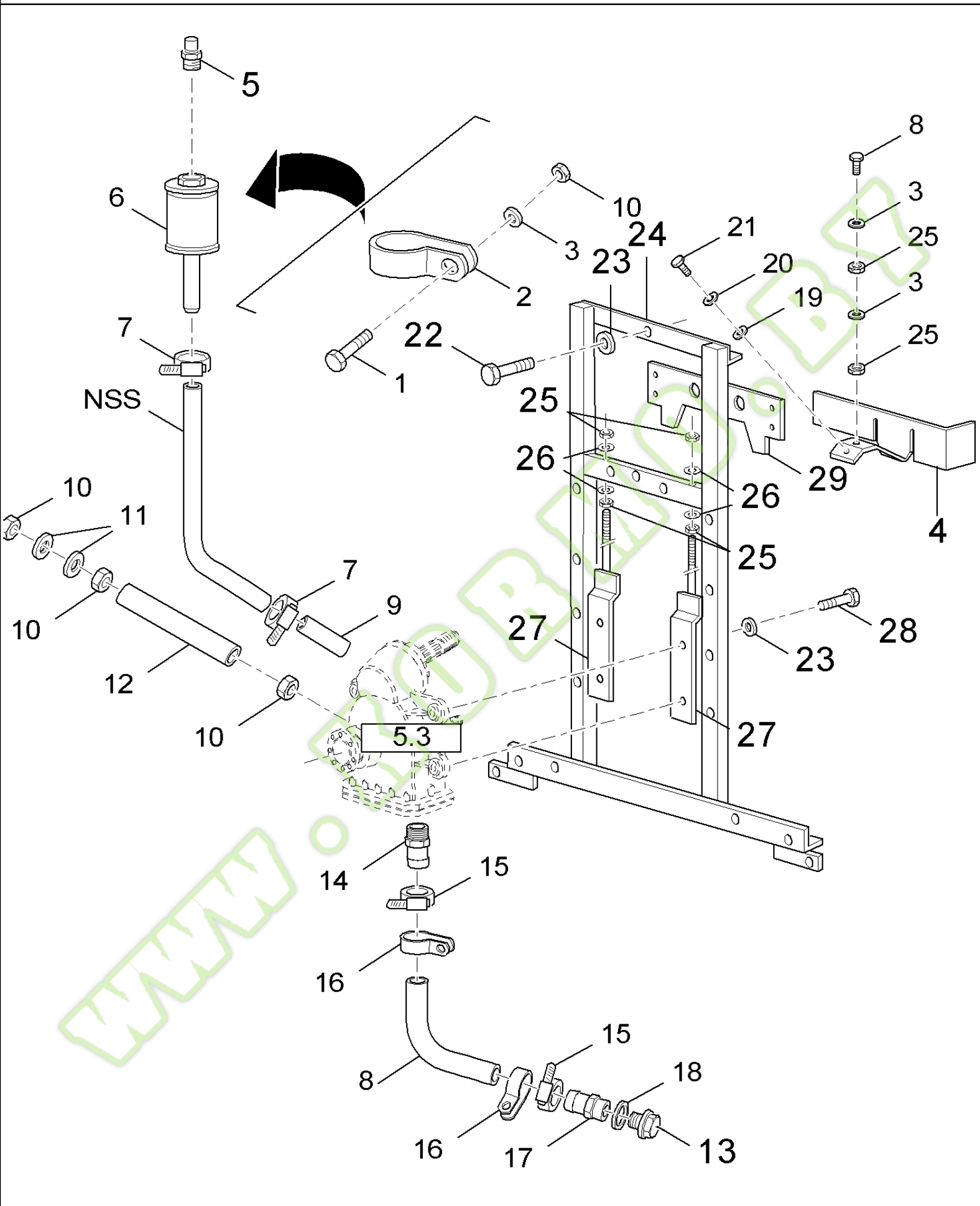
Ref	Part Number	Qty	Description
1	84014996	1	ROD,
2	9512667	2	PIN, SPLIT (COTTER), {PP:89512667} M6.3 x 40,
3	84015016	1	COVER,
4	100015	6	NUT, {PP:80100015} M8, CI 8, M8
5	322358	6	WASHER, LOCK, {PP:80322358} Belleville, M8, 8MM
6	84017507	2	GUIDE,
7	84014616	2	HANDLE, CRANKED,
8	130004	2	PIN, SPLIT (COTTER), {PP:80130004} M3.2 x 25, , D0600-
8	353911	2	PIN, LOCK, {PP:80353911} M3.5 x 20, Slotted, , -C0405
9	226829	2	SPRING, {PP:80226829}
10	140018	2	WASHER, {PP:80140018} M12 x 24 x 2.5, 12MM
11	84004133	1	PLATE,
12	120037	6	BOLT, {PP:80120037} Short NK, M8 x 20, CI8.8, Full Thd, M8X20
13	84043294	2	PIN, , -C0432
14	80300409	2	PIN, SPLIT (COTTER), , -C0432
15	84001350	1	PLATE,
17	100037	2	NUT, {PP:80100037} M10 x 1.5, CI 8, M10
18	340111	1	BOLT, BANJO, {PP:80340111}
19	378244	2	WASHER, LOCK, {PP:80378244}
20	26392	1	SPRING, {PP:80026392}
21	370539	2	PIN, SPLIT (COTTER), {PP:80370539} , D0900-
22	84045688	2	PIN, , D3300-
24	140046	4	WASHER, LOCK, {PP:80140046} Belleville, M12, 12MM, D3300-
25	337475	2	NUT, {PP:80337475} M12, CI 10, M12, D3300-
23	9706687	2	SCREW, {PP:89706687} Hex, M12 x 30, 8.8, M12X30, D3300-
16	43140	1	BOLT, {PP:80043140} Hex, M10 x 30, 8.8, M10X30



## FX375 NH SELF PROPELLED FORAGE HARVESTER - YELLOW VERSION

## 05.01(01) BLOWER

Ref	Part Number	Qty	Description
1	43128	51	SCREW, {PP:80043128} Hex, M8 x 30, 8.8, Cap, HH, CL 8.8, M8 x 1.25 x 30
2	322358	AR	WASHER, LOCK, {PP:80322358} Belleville, M8, 8MM
3	378243	11	WASHER, {PP:80378243} 8MM
4	84001484	1	COVER, , -C0408
4	84037329	1	COVER, , D0900-
5	84001483	1	GUIDE, , -C0408
5	84002448	1	GUIDE, , D0900-
6	412495	17	SCREW, {PP:80412495} Hex Soc Flat Hd, M8 x 20, 8.8, M8X20
7	84045350	1	PLATE, COVER,
8	84004410	1	BAND,
9	84015366	1	PLATE, COVER,
10	100015	AR	NUT, {PP:80100015} M8, CI 8, M8
11	84004583	1	BAND,
12	120203	2	SCREW, {PP:80120203} Hex Flat Hd, M8 x 20, 4.8, M8X25
13	84041029	2	PLATE, (31,27), -C0409
14	84015418	1	PLATE,
15	89623030	1	SHEET, FRONT,
16	84017260	1	DISC,
17	84023856	1	WEAR STRIP,
18	84021023	1	PLATE, COVER,
19	84004619	2	BLADE, TILLAGE, (SETOF2)(24TO28), SEE OPERATOR'S MANUAL, PARAGRAPH 5.7.1 FOR ASSEMBLY
20	300389	8	SCREW, {PP:80300389} Hex, M12 x 35, 8.8, Full Thd, M12X35, -C0412
20	80379753	8	SCREW, , D1300-
21	140046	8	WASHER, LOCK, {PP:80140046} Belleville, M12, 12MM
23	394630	16	WASHER, {PP:80394630} 12MM
24	62338	12	BOLT, {PP:80062338} M10X30, -C0409
24	84037444	12	BOLT, M10X30, D1000-
25	84004820	4	WEAR STRIP, , SEE OPERATOR'S MANUAL, PARAGRAPH 5.7.1 FOR ASSEMBLY
26	362810	AR	WASHER, {PP:80362810}
27	84039221	1	PLATE, , WELDED PARTS
28	100016	12	NUT, {PP:80100016} M10, CI 8, M10, -C0409
28	86500689	AR	NUT, M10, CI 10, M10, D1000-
29	84041029	1	PLATE, , D1000-
30	84039239	1	PLATE, , D1000-
31	84015417	3	PLATE, , WELDED PARTS
22	9706687	16	SCREW, {PP:89706687} Hex, M12 x 30, 8.8, M12X30

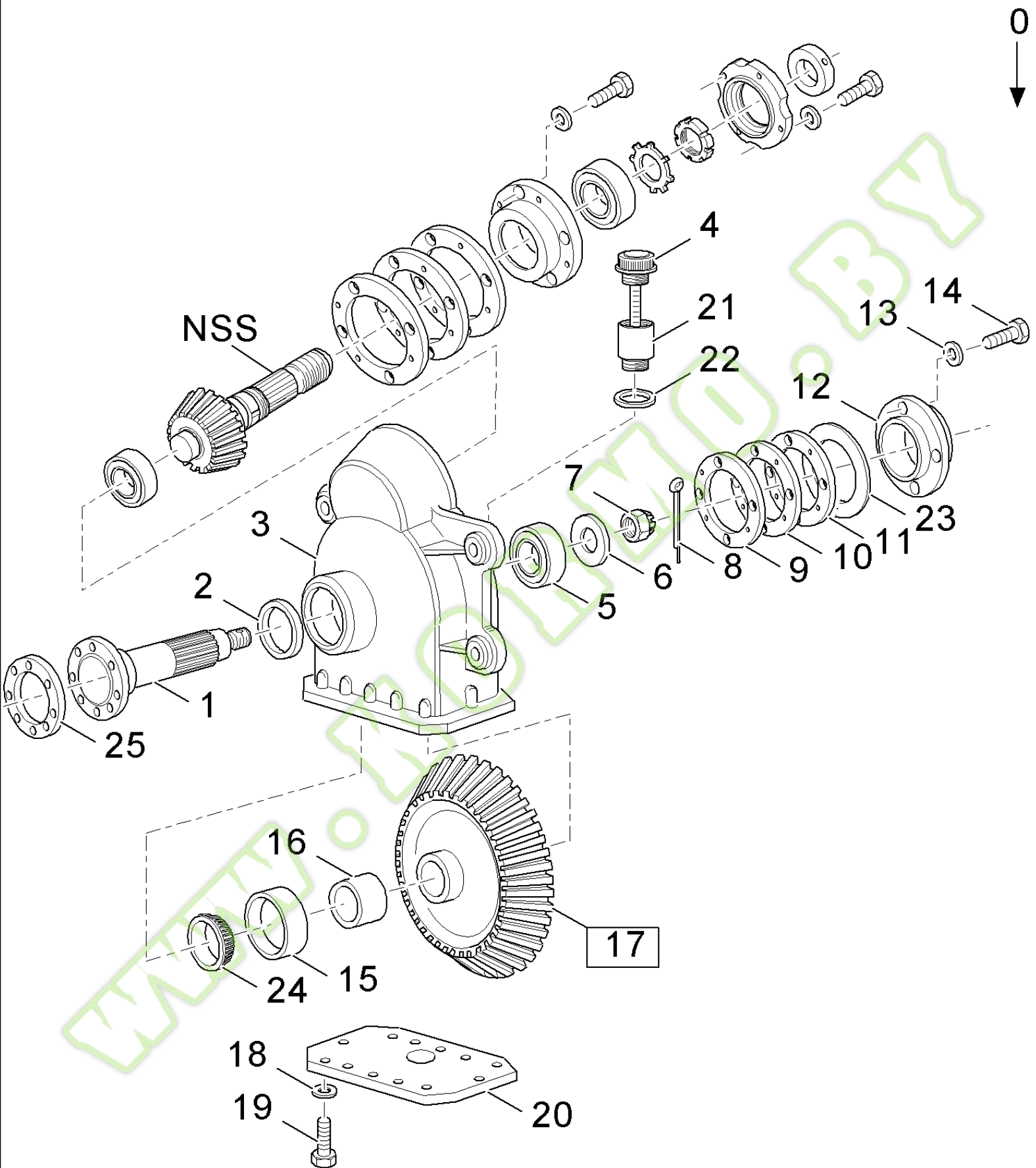


## FX375 NH SELF PROPELLED FORAGE HARVESTER - YELLOW VERSION

## 05.02(01) BLOWER

Ref	Part Number	Qty	Description
2	9837593	1	CLAMP, {PP:89837593}
3	140046	5	WASHER, LOCK, {PP:80140046} Belleville, M12, 12MM
4	84031943	1	PLATE, LH
4	84031944	1	PLATE, RH
5	80916612	1	BREATHER,
6	80456040	1	RESERVOIR, BRAKE FLUID,
7	80150064	2	CLAMP,
8	120122	4	SCREW, {PP:80120122} Hex, M12 x 50, 8.8, Full Thd, M12X50
9	80422286	1	TUBE, , -C0405
9	84032257	1	TUBE, , D0600-
10	337475	7	NUT, {PP:80337475} M12, CI 10, M12
11	378245	4	WASHER, {PP:80378245} 12MM
12	84017315	2	ROD, THREADED,
13	150060	1	PLUG, {PP:80150060}
14	80449160	1	CONNECTOR, HYD.,
15	326082	2	CLAMP, {PP:80326082}
16	619284	2	CLAMP, {PP:80619284}
17	80326079	1	CONNECTOR, HYD.,
18	722441	1	GASKET,
19	362776	4	WASHER, {PP:80362776}
20	322357	4	WASHER, LOCK, {PP:80322357} Belleville, M6, Belleville, M6
21	80120099	4	SCREW, Hex, M6 x 16, 8.8, M6X16
22	120126	1	SCREW, {PP:80120126} Hex, M16 x 30, 8.8, Full Thd, Hex, M16 x 30, 8.8, Full Thd
23	140048	1	WASHER, LOCK, {PP:80140048} Belleville, M16, 16MM
24	89802958	1	SUPPORT,
25	337475	8	NUT, {PP:80337475} M12, CI 10, M12
26	378245	4	WASHER, {PP:80378245} 12MM
27	84004859	2	TIE-ROD, THREADED,
28	84000007	4	SCREW, Hex, M16 x 1.5 x 50, 8.8, Full Thd, M16X1.5X50
29	84031936	1	PLATE,
1	9706687	1	SCREW, {PP:89706687} Hex, M12 x 30, 8.8, M12X30





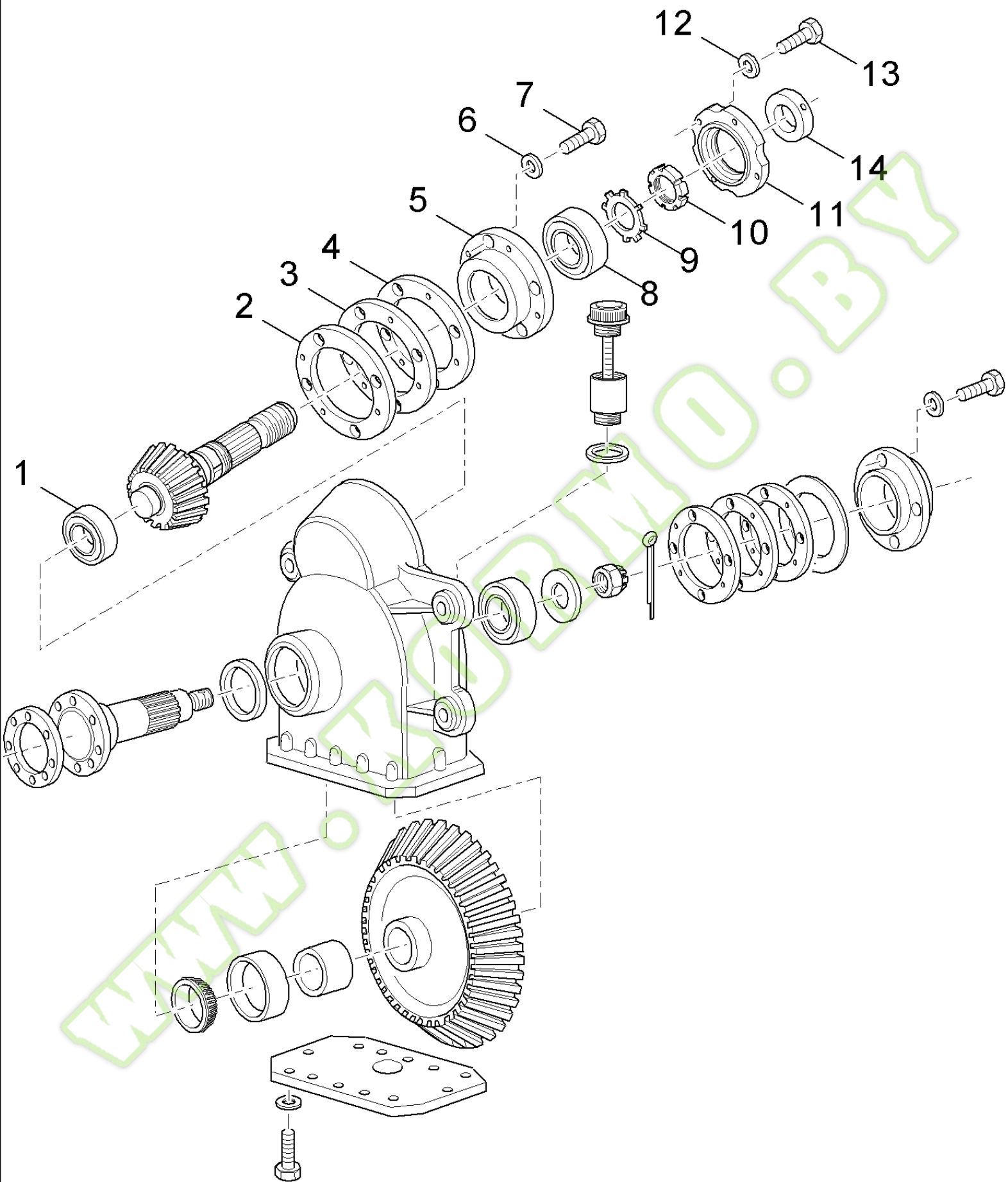
## FX375 NH SELF PROPELLED FORAGE HARVESTER - YELLOW VERSION

## 05.03(01) BLOWER: GEARBOX

Ref	Part Number	Qty	Description
0	84045211	1	GEARBOX, , INCL.GROUPS 5.3 AND 5.4
1	89801851	1	SHAFT,
2	381858	1	O-RING, {PP:80381858}
3	89833477	1	HOUSING,
4	84031934	1	INDICATOR,
5	853535	1	BEARING ASSY, {PP:80853535}
6	850053	1	WASHER, {PP:80850053} 20MM
7	330686	1	NUT, {PP:80330686} M20 x 1.5, CI 8, M20X1.5
8	412685	1	PIN, SPLIT (COTTER), {PP:80412685} M4 x 32,
9	89802068	AR	SHIM, THK.:0.25
10	89801740	AR	SHIM, THK.:0.30
11	89801741	AR	SHIM, THK.:0.40
12	89802069	1	FLANGE,
13	140045	4	WASHER, LOCK, {PP:80140045} Belleville, M10, 10MM
15	381510	1	CUP, {PP:80381510}
16	84043130	1	BUSHING,
17	84045212	1	GEAR SET,
18	322358	12	WASHER, LOCK, {PP:80322358} Belleville, M8, 8MM
19	80120104	12	SCREW, M8X20
20	84004550	1	COVER,
21	84031935	1	CONNECTOR, HYD.,
22	9508326	1	WASHER, {PP:89508326} , D0900-
23	84036430	AR	PLATE, ADJUSTING, THK.:0.025, D1000-
24	381505	1	BEARING, CONE, {PP:80381505}
25	84056530	AR	RING, , -C0406
14	43140	4	BOLT, {PP:80043140} Hex, M10 x 30, 8.8, M10X30

ONLY VALID UNTI --5077999





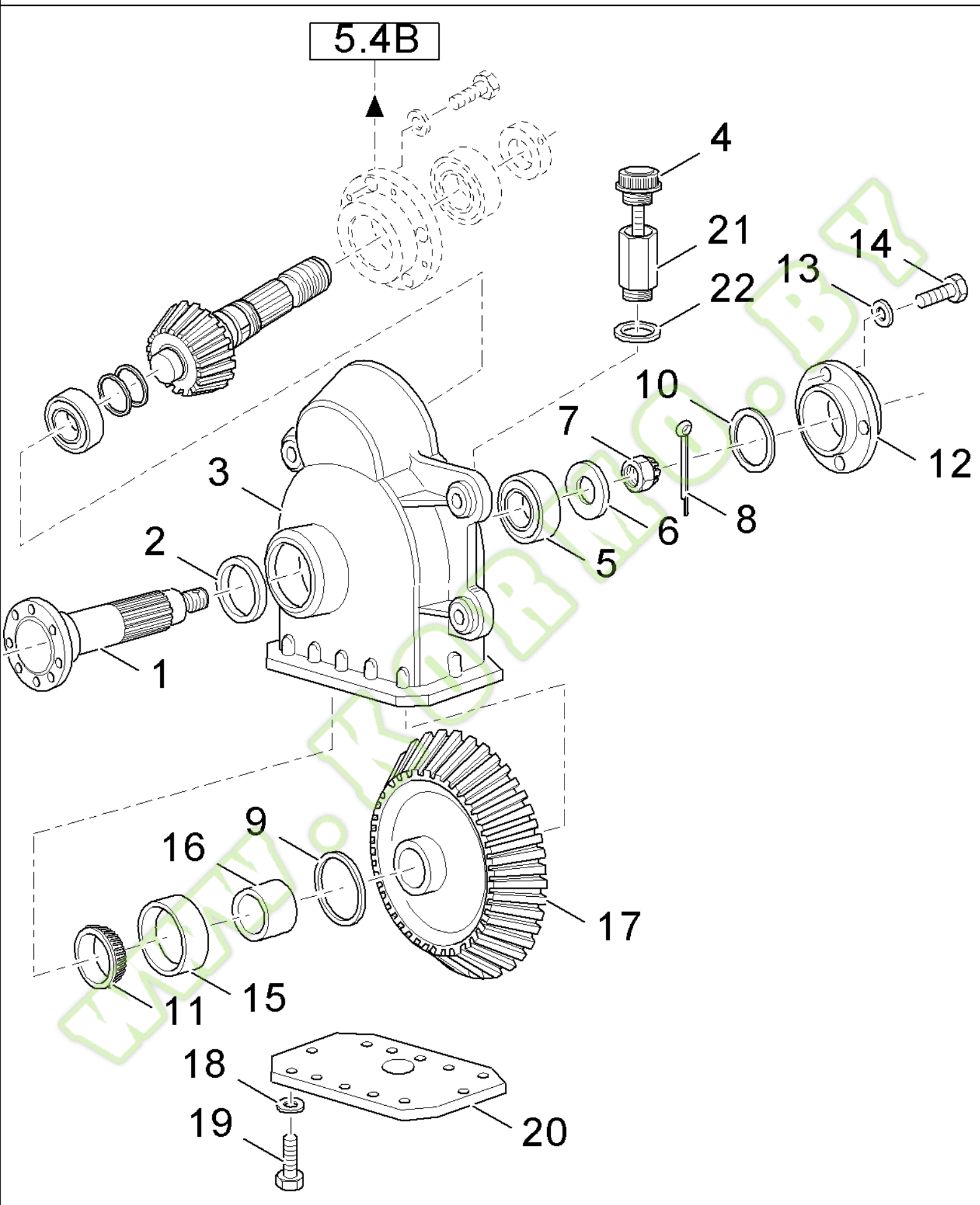
## FX375 NH SELF PROPELLED FORAGE HARVESTER - YELLOW VERSION

## 05.04(01) BLOWER: GEARBOX

Ref	Part Number	Qty	Description
1	84004469	1	BEARING ASSY,
2	84004578	AR	SHIM, THK.:0.08
3	84004579	AR	SHIM, THK.:0.25
4	84004580	AR	SHIM, THK.:0.40
5	84004514	1	CLOTHING, HAT,
6	322358	4	WASHER, LOCK, {PP:80322358} Belleville, M8, 8MM
7	80120104	4	SCREW, M8X20
8	330071	1	BEARING ASSY, {PP:80330071}
9	543836	1	WASHER, LOCK, {PP:80543836} 40MM
10	543835	1	NUT, {PP:80543835} M40X1.5
11	84004512	1	COVER,
12	322357	4	WASHER, LOCK, {PP:80322357} Belleville, M6, Belleville, M6
13	120100	4	BOLT, {PP:80120100} Hex, M6 x 20, 8.8, M6X20
14	84004468	1	SEAL,

ONLY VALID UNTIL --5077999





ONLY VALID FROM --5078001



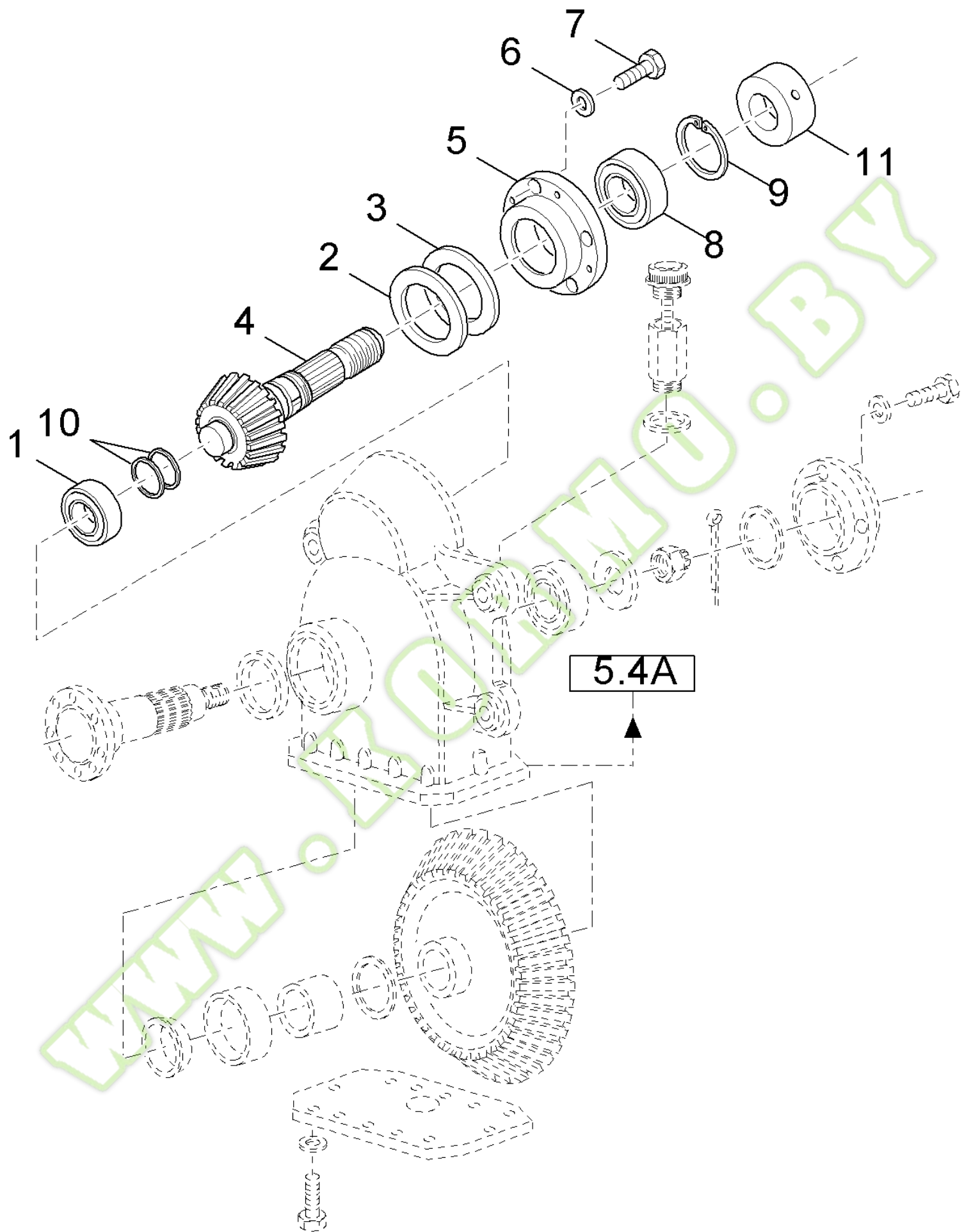
## FX375 NH SELF PROPELLED FORAGE HARVESTER - YELLOW VERSION

## 05.04A(01) BLOWER: GEARBOX

Ref	Part Number	Qty	Description
0	84053905	1	GEARBOX, , INCL.GROUPS 5.4A AND 5.4B
1	84053908	1	SHAFT,
2	381858	1	O-RING, {PP:80381858}
3	84053909	1	HOUSING,
4	84053916	1	INDICATOR,
5	853535	1	BEARING ASSY, {PP:80853535}
6	84053913	1	WASHER,
7	84053918	1	NUT, M25 x 1.5, CI 8, M20 x 1.5
8	84056633	1	PIN, SPLIT (COTTER),
9	84053923	1	SHIM,
10	84053920	AR	SHIM,
11	381505	1	BEARING, CONE, {PP:80381505}
12	84053910	1	FLANGE,
13	140045	4	WASHER, LOCK, {PP:80140045} Belleville, M10, 10MM
15	381510	1	CUP, {PP:80381510}
16	84053914	1	BUSHING,
17	84053907	1	GEAR,
18	322358	12	WASHER, LOCK, {PP:80322358} Belleville, M8, 8MM
20	84053915	1	COVER,
21	84053912	1	CONNECTOR, HYD.,
22	220022	1	GASKET, {PP:80220022}
14	43140	4	BOLT, {PP:80043140} Hex, M10 x 30, 8.8, M10 x 30
19	16043224	12	SCREW, Hex, M8 x 16, 8.8, Full Thd, M8 x 16

ONLY VALID FROM --5078001





## FX375 NH SELF PROPELLED FORAGE HARVESTER - YELLOW VERSION

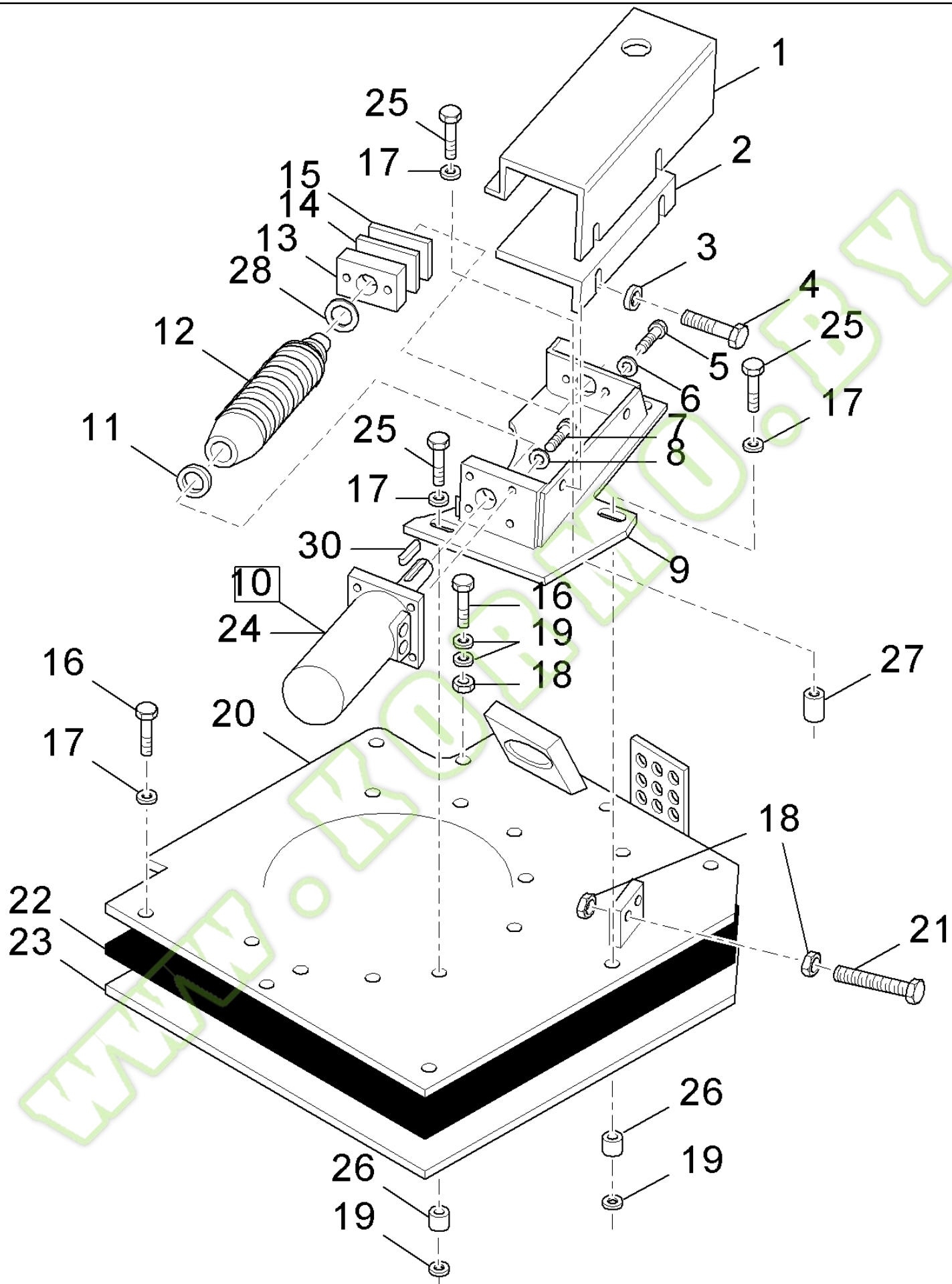
## 05.04B(01) BLOWER: GEARBOX

Ref	Part Number	Qty	Description
1	309085	1	BEARING ASSY, {PP:80309085}
2	84053921	AR	SHIM,
3	84053922	AR	SHIM,
4	84053906	1	SHAFT,
5	84053911	1	COVER,
6	322358	4	WASHER, LOCK, {PP:80322358} Belleville, M8, 8MM
7	43127	4	BOLT, {PP:80043127} Hex, M8 x 25, 8.8, M8 x 25
8	84053917	1	BEARING ASSY,
9	370021	1	CIRCLIP, {PP:80370021} M85 x 3, Int,
10	84053919	1	SHIM,
11	84053924	1	RING, OIL SCRAPER,

only valid from --5078001



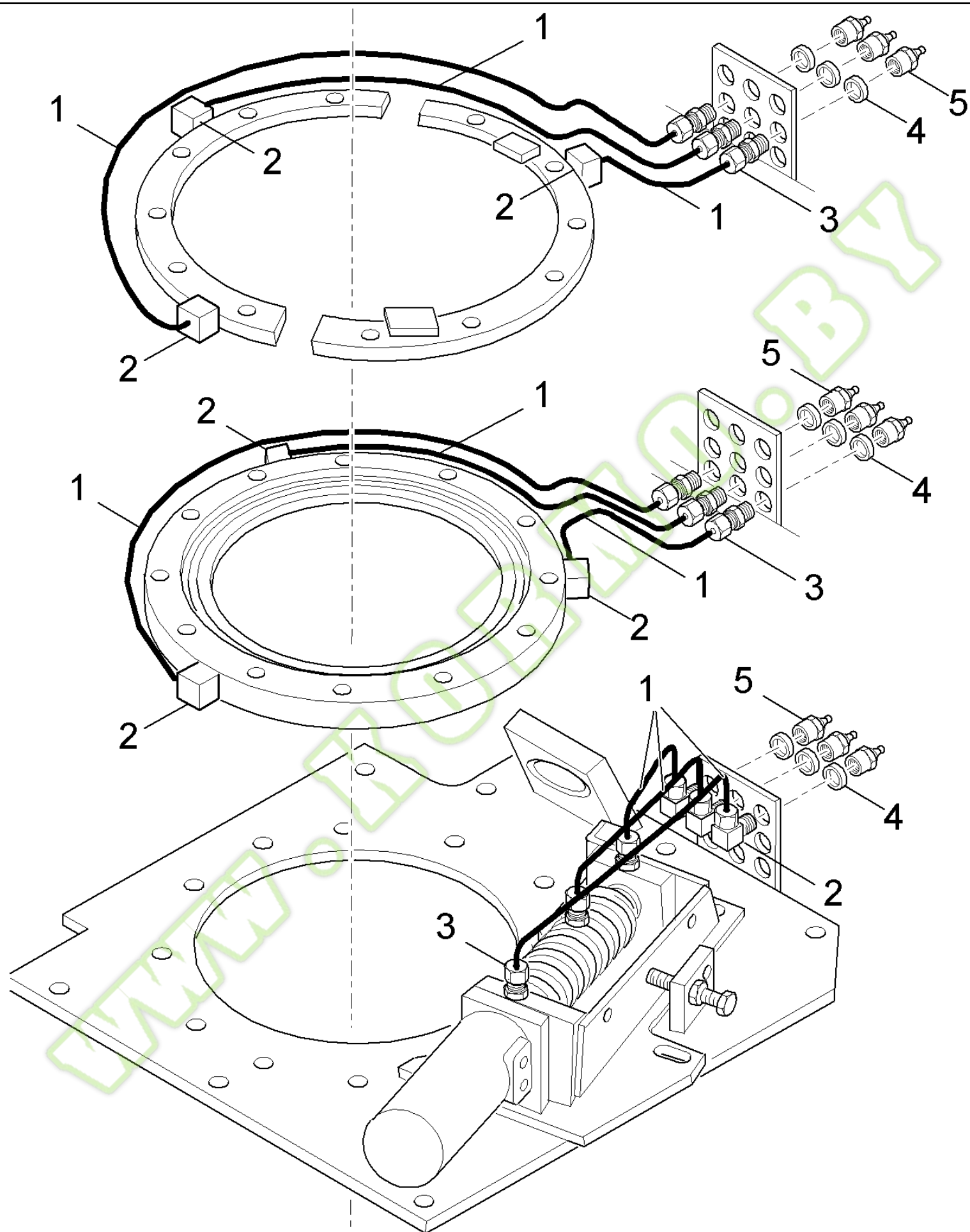




## FX375 NH SELF PROPELLED FORAGE HARVESTER - YELLOW VERSION

## 05.05(01) SPOUT

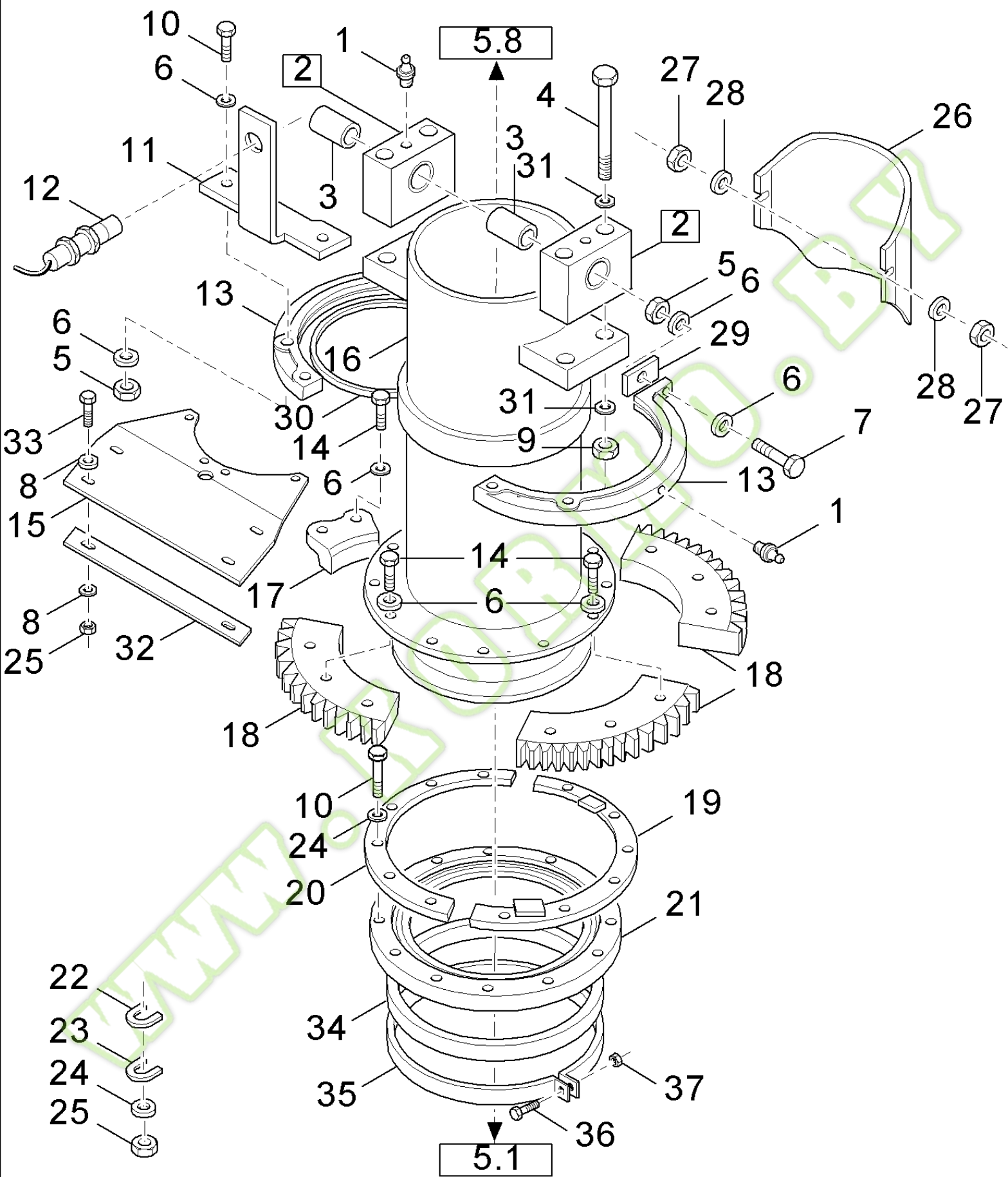
Ref	Part Number	Qty	Description
1	84043721	1	COVER,
2	84017384	1	COVER,
3	322358	2	WASHER, LOCK, {PP:80322358} Belleville, M8, 8MM
4	80120104	2	SCREW, M8X20
6	140045	4	WASHER, LOCK, {PP:80140045} Belleville, M10, 10MM
7	280165	4	SCREW, {PP:80280165} Hex, 3/8"-16 x 1 1/4", G8, Full Thd, 3/8"X11/4"
8	80680	4	WASHER, LOCK, {PP:80080680} 3/8", 3/8"
9	84017326	1	SUPPORT, , -C0413
9	84045386	1	SUPPORT, , D1400-
10	84007218	1	MOTOR, HYDRAULIC, (24,30)
11	36622	1	WASHER, {PP:80036622}
12	84007262	1	SCREW, WORM,
13	84017370	1	BLOCK, (29)
14	84022832	AR	PLATE, ADJUSTING,
15	84022831	AR	PLATE, ADJUSTING,
16	80337563	7	SCREW, M12X40
17	140046	12	WASHER, LOCK, {PP:80140046} Belleville, M12, 12MM
18	337475	10	NUT, {PP:80337475} M12, CI 10, M12
19	394630	11	WASHER, {PP:80394630} 12MM
20	84017397	1	SUPPORT, , -C0413
20	84043688	1	SUPPORT, , -C0001
20	84056065	1	SUPPORT, , D5045-
21	309086	2	SCREW, {PP:80309086} Hex, M12 x 60, 8.8, Full Thd, M12X60
22	84001104	1	CANVAS, , -C5044
23	84001105	1	PLATE, COVER, , -C5044
24	84022557	1	KIT, SEALS,
25	120083	4	SCREW, {PP:80120083} Hex, M12 x 70, 8.8, M12X70, -C0412
25	84039337	4	SCREW, M12X70, -C1313
25	86505259	4	SCREW, Hex, M12 x 70, 10.9, M12X70, D1400-
26	84015131	4	BUSHING,
27	84042920	1	BUSHING, , D1300-
28	442245	1	RING, {PP:80442245} , D1400-
29	44776	1	BUSHING, {PP:80044776}
30	84056871	1	KEY,
5	43140	4	BOLT, {PP:80043140} Hex, M10 x 30, 8.8, M10X30



## 05.06(01) SPOUT: LUBRICATION

Ref	Part Number	Qty	Description
1	84032151	AR	TUBE, RIGID, 2.5M
2	48564	9	ELBOW, {PP:80048564}
3	11787	9	CONNECTOR, HYD., {PP:80011787}
4	140045	9	WASHER, LOCK, {PP:80140045} Belleville, M10, 10MM
5	84303	9	NIPPLE, LUBE, {PP:80084303} 1/8"-27 NPT x 1" lg, Fem,

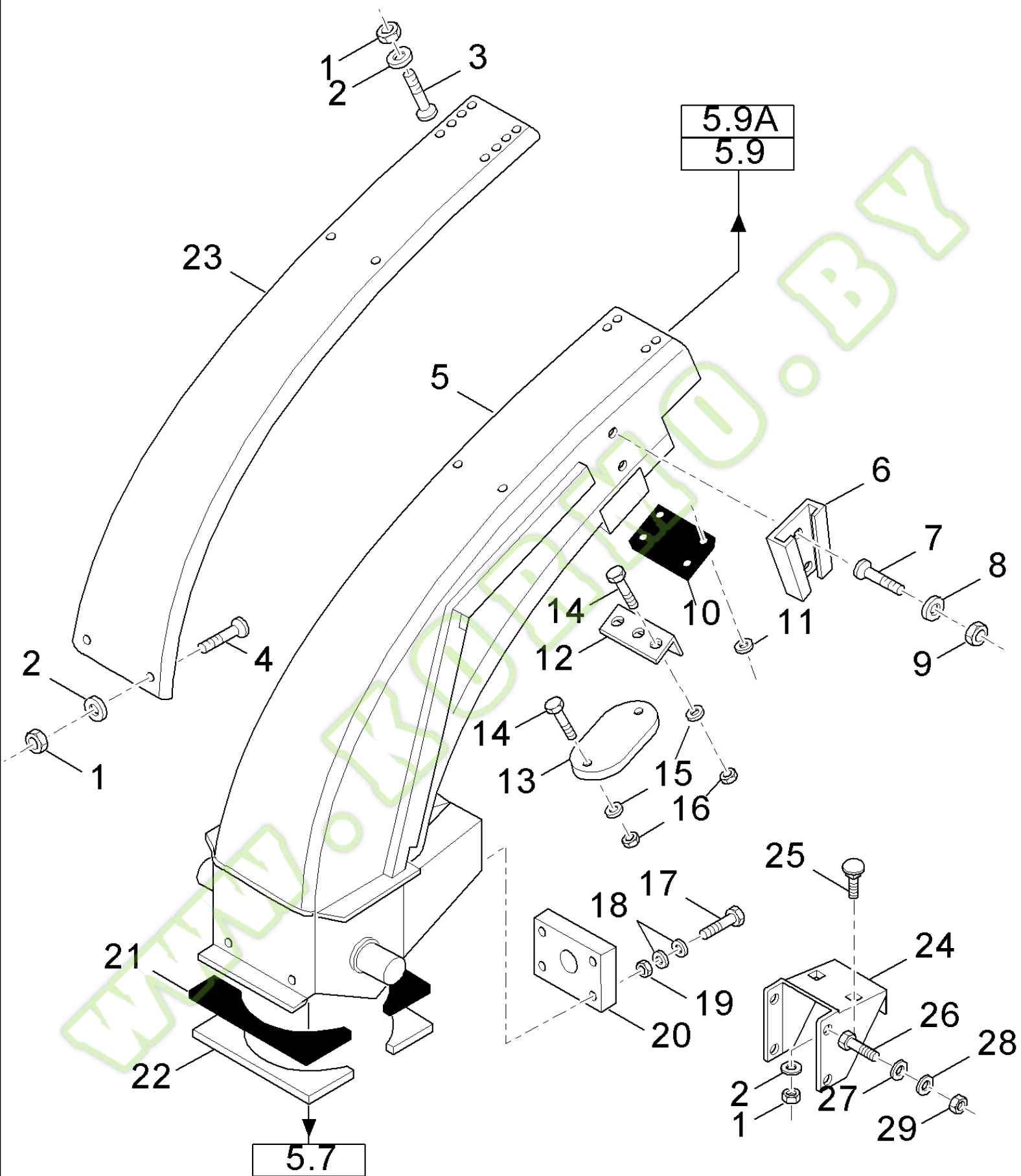
WWW.KORMO.BY



## FX375 NH SELF PROPELLED FORAGE HARVESTER - YELLOW VERSION

05.07(01) SPOUT

Ref	Part Number	Qty	Description
1	323787	4	NIPPLE, LUBE, {PP:80323787}
2	84017450	2	SUPPORT, (3)
3	606351	2	BUSHING, {PP:80606351}
4	321246	4	SCREW, {PP:80321246} Hex, M16 x 120, 8.8, M16X120, -C0409
4	354360	4	SCREW, {PP:80354360} Hex, M16 x 130, 8.8, M16X130, D1000-
5	337475	9	NUT, {PP:80337475} M12, CI 10, M12
6	140046	19	WASHER, LOCK, {PP:80140046} Belleville, M12, 12MM
7	120083	1	SCREW, {PP:80120083} Hex, M12 x 70, 8.8, M12X70
8	394630	8	WASHER, {PP:80394630} 12MM
9	100039	4	NUT, {PP:80100039} M16 x 2, CI 8, M16
10	120082	16	SCREW, {PP:80120082} Hex, M12 x 60, 8.8, M12X60, -C0413
10	120083	16	SCREW, {PP:80120083} Hex, M12 x 70, 8.8, M12X70, D1400-
11	84018420	1	BRACKET, , -C0409
11	84041894	1	BRACKET, , D1000-
12	84036824	1	SENSOR,
13	84017157	2	HALF-RING, , -C0412
13	84042925	2	HALF-RING, , D1300-
15	84031603	1	BRACKET, , -C0413
15	84043751	1	BRACKET, , D1400-
16	84038387	1	SUPPORT,
17	84004215	1	STOP,
18	84004214	3	GEAR,
19	84001111	1	RING,
20	9822805	1	PLATE, RETAINING, {PP:89822805}
21	84017186	1	RING,
22	9840320	AR	SHIM, {PP:89840320} THK.:0.25
23	9622227	AR	SHIM, {PP:89622227} THK.:0.5
24	378245	24	WASHER, {PP:80378245} 12MM
25	100038	16	NUT, LOCK, {PP:80100038} M12 x 1.75, CI 8, M12
26	84019125	1	COVER,
27	100015	2	NUT, {PP:80100015} M8, CI 8, M8
28	322358	2	WASHER, LOCK, {PP:80322358} Belleville, M8, 8MM
29	84042924	2	PLATE, ADJUSTING, , D1300-
30	84042923	1	O-RING, , D1300-
31	140048	4	WASHER, LOCK, {PP:80140048} Belleville, M16, 16MM
32	84043756	AR	PLATE, ADJUSTING, , D1400-
33	80337563	4	SCREW, M12X40
34	84052510	1	RING, , D5045-
35	84052507	1	RING, , D5045-
36	80120104	1	SCREW, M8 x 20, D5045-
37	100067	1	NUT, {PP:80100067} M8 x 1.25", CI 8, M8, D5045-
14	9706687	14	SCREW, {PP:89706687} Hex, M12 x 30, 8.8, M12X30

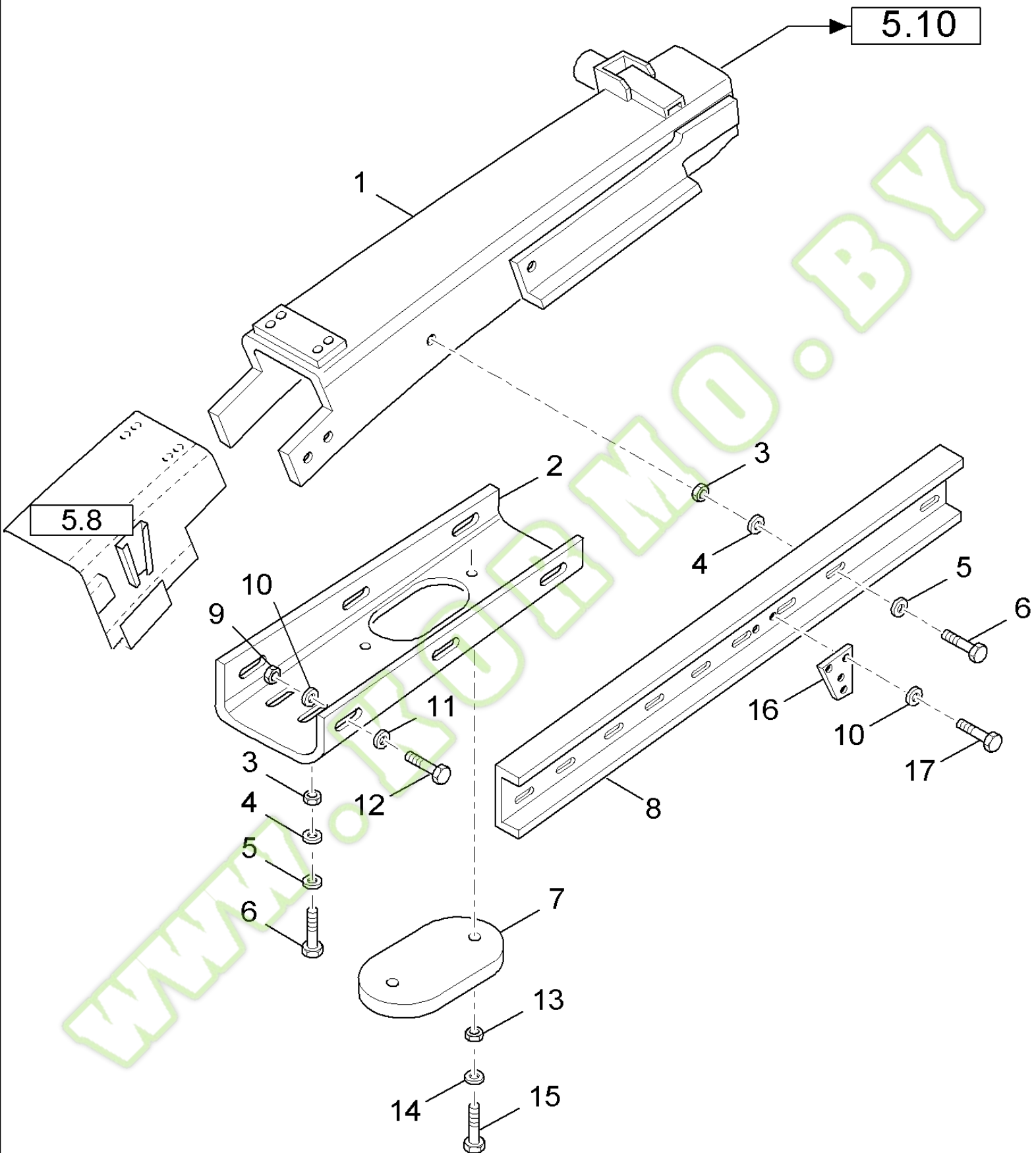


## FX375 NH SELF PROPELLED FORAGE HARVESTER - YELLOW VERSION

05.08(01) SPOUT

Ref	Part Number	Qty	Description
1	100016	14	NUT, {PP:80100016} M10, CI 8, M10
2	140045	14	WASHER, LOCK, {PP:80140045} Belleville, M10, 10MM
3	379528	10	SCREW, {PP:80379528} Hex Flat Hd, M10 x 25, 4.8, M10X25
4	120041	2	BOLT, {PP:80120041} Short NK, M10 x 20, CI8.8, Full Thd, M10X20
5	84017677	1	SPOUT, DISCHARGE,
6	9837606	2	CLIP, {PP:89837606}
8	322358	4	WASHER, LOCK, {PP:80322358} Belleville, M8, 8MM
9	100015	4	NUT, {PP:80100015} M8, CI 8, M8
10	84012923	1	INSULATOR BLOCK,
11	140182	4	WASHER, {PP:80140182} M5 x 18 x 2, 5MM
12	84000008	3	CLAMP,
13	684621	2	DOOR, {PP:80684621} , -C0405
13	84031783	2	DOOR, , D0600-
15	322357	4	WASHER, LOCK, {PP:80322357} Belleville, M6, Belleville, M6
16	9706755	4	NUT, {PP:89706755} M6, CI 8, M6
17	80337563	4	SCREW, M12X40
18	140046	4	WASHER, LOCK, {PP:80140046} Belleville, M12, 12MM
19	337475	4	NUT, {PP:80337475} M12, CI 10, M12
20	84019181	1	SUPPORT,
21	89839251	2	CANVAS,
22	89839250	2	PLATE,
23	683948	1	PLATE, SKID, {PP:80683948}
24	84038254	1	SUPPORT, , D1300-
25	190029	2	INSULATOR BLOCK, {PP:80190029} , D1300-
26	120089	4	BOLT, {PP:80120089} Hex, M16 x 40, 8.8, Hex, M16 x 40, 8.8, D1300-
27	394631	4	WASHER, {PP:80394631} 16MM, D1300-
28	140048	4	WASHER, LOCK, {PP:80140048} Belleville, M16, 16MM, D1300-
29	100039	4	NUT, {PP:80100039} M16 x 2, CI 8, M16, D1300-
14	120032	4	BOLT, {PP:80120032} Short NK, M6 x 20, CI8.8, Full Thd, M6X20
7	16043224	4	SCREW, Hex, M8 x 16, 8.8, Full Thd, M8X16





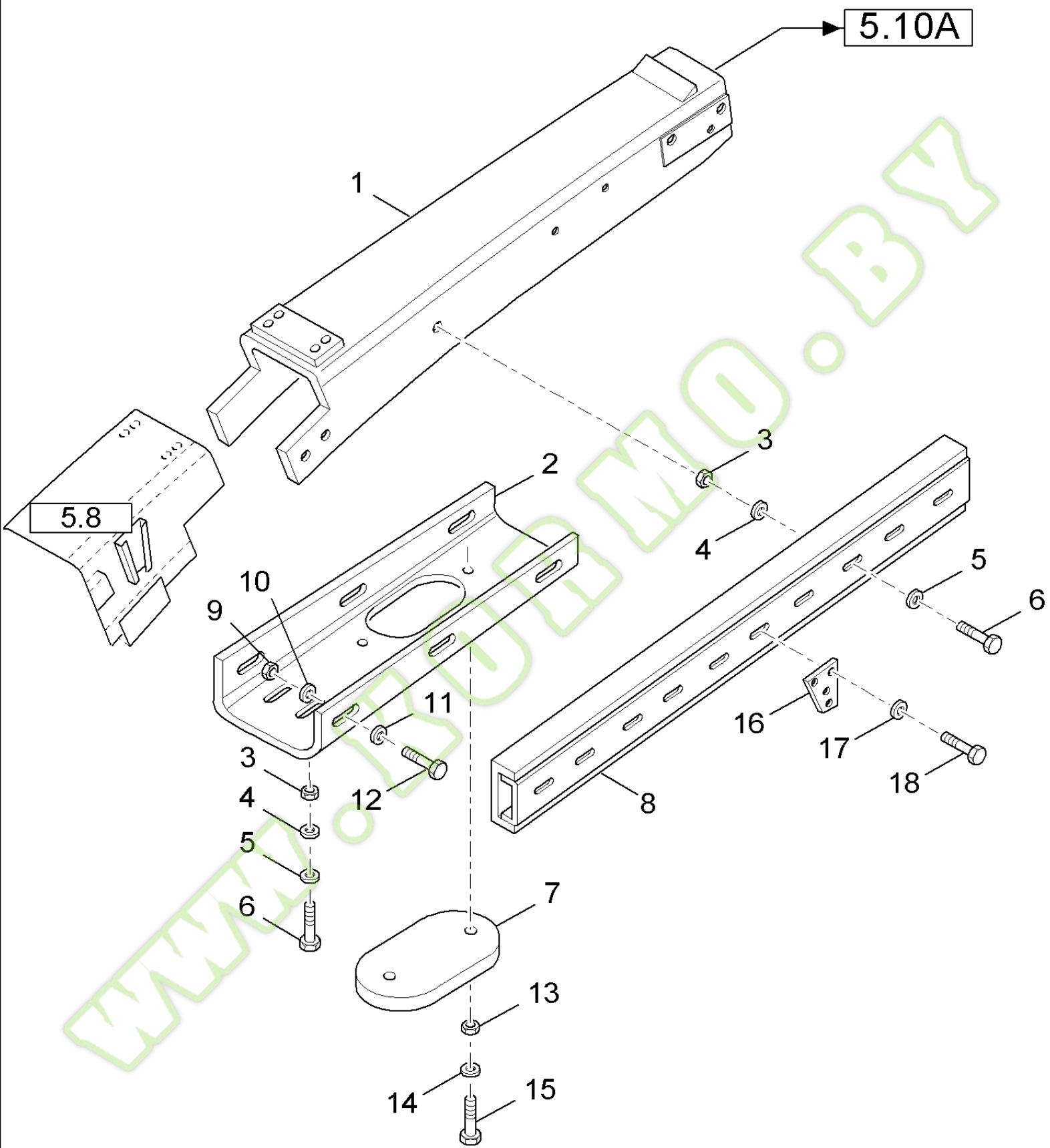
## FX375 NH SELF PROPELLED FORAGE HARVESTER - YELLOW VERSION

05.09(01) SPOUT

Ref	Part Number	Qty	Description
1	84017633	1	SPOUT, DISCHARGE,
2	683951	1	SHIELD, {PP:80683951}
3	100016	20	NUT, {PP:80100016} M10, CI 8, M10
4	140045	20	WASHER, LOCK, {PP:80140045} Belleville, M10, 10MM
5	140018	14	WASHER, {PP:80140018} M12 x 24 x 2.5, 12MM
6	120041	20	BOLT, {PP:80120041} Short NK, M10 x 20, CI8.8, Full Thd, M10X20
7	684621	1	DOOR, {PP:80684621} , -C0405
7	84031783	1	DOOR, , D0600-
8	84022888	2	PROFILE,
9	100015	2	NUT, {PP:80100015} M8, CI 8, M8
10	322358	6	WASHER, LOCK, {PP:80322358} Belleville, M8, 8MM
11	378243	2	WASHER, {PP:80378243} 8MM
12	120037	2	BOLT, {PP:80120037} Short NK, M8 x 20, CI8.8, Full Thd, M8X20
13	9706755	2	NUT, {PP:89706755} M6, CI 8, M6
14	322357	2	WASHER, LOCK, {PP:80322357} Belleville, M6, Belleville, M6
16	84021564	2	PLATE, COVER,
15	120032	2	BOLT, {PP:80120032} Short NK, M6 x 20, CI8.8, Full Thd, M6X20
17	16043224	4	SCREW, Hex, M8 x 16, 8.8, Full Thd, M8X16

ONLY VALID UNTIL SERIAL NO. --13999





ONLY VALID FROM SERIAL NO. --14001



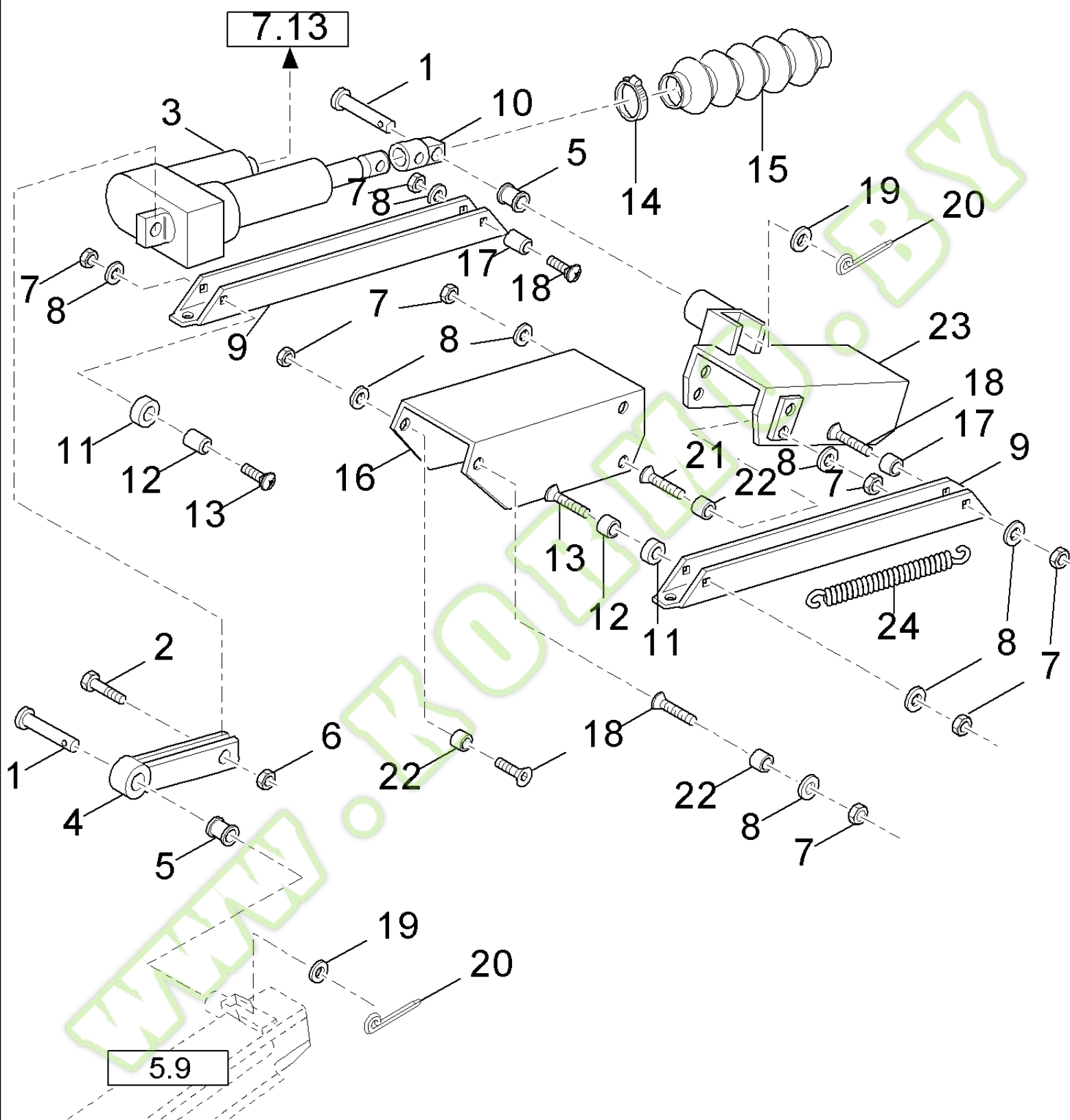
## FX375 NH SELF PROPELLED FORAGE HARVESTER - YELLOW VERSION

## 05.09A(01) SPOUT

Ref	Part Number	Qty	Description
1	84038105	1	SPOUT, DISCHARGE,
2	683951	1	SHIELD, {PP:80683951}
3	100016	24	NUT, {PP:80100016} M10, CI 8, M10
4	140045	24	WASHER, LOCK, {PP:80140045} Belleville, M10, 10MM
5	140018	14	WASHER, {PP:80140018} M12 x 24 x 2.5, 12MM
6	120041	24	BOLT, {PP:80120041} Short NK, M10 x 20, CI8.8, Full Thd, M10X20
7	84031783	1	DOOR,
8	84038155	2	PROFILE,
9	100015	2	NUT, {PP:80100015} M8, CI 8, M8
10	322358	6	WASHER, LOCK, {PP:80322358} Belleville, M8, 8MM
11	378243	2	WASHER, {PP:80378243} 8MM
12	120037	2	BOLT, {PP:80120037} Short NK, M8 x 20, CI8.8, Full Thd, M8X20
13	9706755	2	NUT, {PP:89706755} M6, CI 8, M6
14	322357	2	WASHER, LOCK, {PP:80322357} Belleville, M6, Belleville, M6
16	84043902	2	PLATE, COVER,
17	140046	4	WASHER, LOCK, {PP:80140046} Belleville, M12, 12MM
18	388113	4	SCREW, {PP:80388113} Hex, M12 x 16, 8.8, Full Thd, M12X16
15	120032	2	BOLT, {PP:80120032} Short NK, M6 x 20, CI8.8, Full Thd, M6X20

ONLY VALID FROM SERIAL NO. --14001





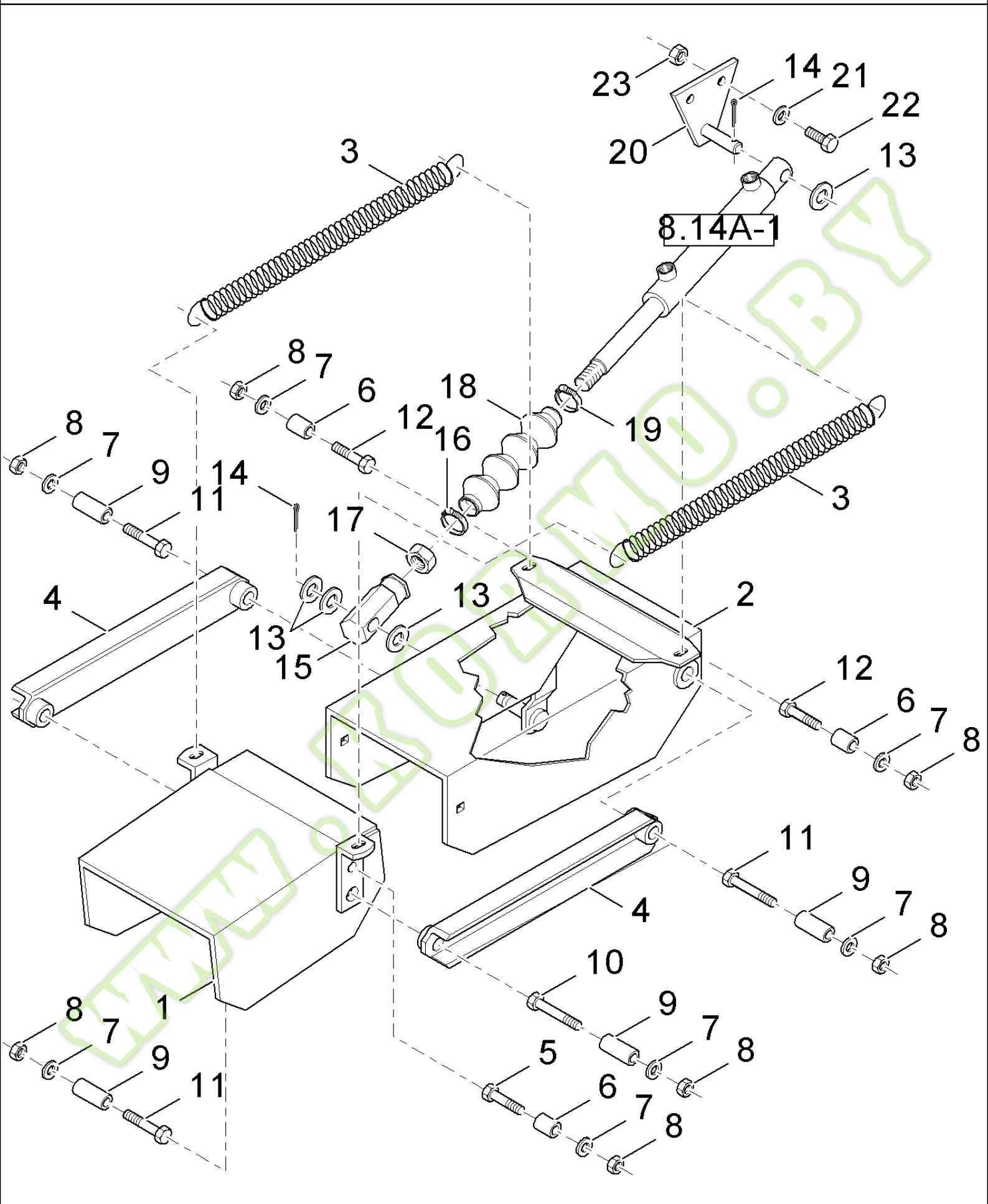
## FX375 NH SELF PROPELLED FORAGE HARVESTER - YELLOW VERSION

05.10(01) SPOUT

Ref	Part Number	Qty	Description
1	387792	2	PIN, LOCK, {PP:80387792}
2	412087	2	BOLT, {PP:80412087} Hex, M12 x 45, 10.9, Full Thd, M12X45
3	434127	1	ACTUATOR, {PP:80434127}
4	84014820	1	CLAMP,
5	445913	2	BUSHING, RUBBER, {PP:80445913}
6	100038	2	NUT, LOCK, {PP:80100038} M12 x 1.75, CI 8, M12
7	100016	8	NUT, {PP:80100016} M10, CI 8, M10
8	140045	8	WASHER, LOCK, {PP:80140045} Belleville, M10, 10MM
9	84031278	2	BRACKET,
10	921250	1	CLAMP, {PP:80921250}
11	325842	2	BUSHING, {PP:80325842}
12	921989	2	SPACER, {PP:80921989}
13	374892	2	BOLT, {PP:80374892} Short NK, M10 x 40, CI8.8, Full Thd, M10 X 40
15	84021572	1	BELLOWS,
16	84014783	1	DEFLECTOR, , FOR CORN ONLY
16	84032248	1	DEFLECTOR, , FOR GRASS ONLY
17	854963	2	SPACER, {PP:80854963}
18	80320772	4	SCREW, M10 X 30
19	378245	2	WASHER, {PP:80378245} 12MM
20	80300409	2	PIN, SPLIT (COTTER),
21	120245	2	SCREW, {PP:80120245} Short NK, M10 x 30, CI8.8, Full Thd, M10 X 30
22	854967	4	SPACER, {PP:80854967}
23	84014784	1	DEFLECTOR, , FOR CORN ONLY
23	84032249	1	DEFLECTOR, , FOR GRASS ONLY
24	35544	2	SPRING, {PP:80035544}
14	323597	2	STRAP, {PP:80323597}

ONLY VALID UNTIL SERIAL NO. --13999





ONLY VALID FROM SERIAL NO. --14001 OR FLIPPER KIT UNTIL --13999

## FX375 NH SELF PROPELLED FORAGE HARVESTER - YELLOW VERSION

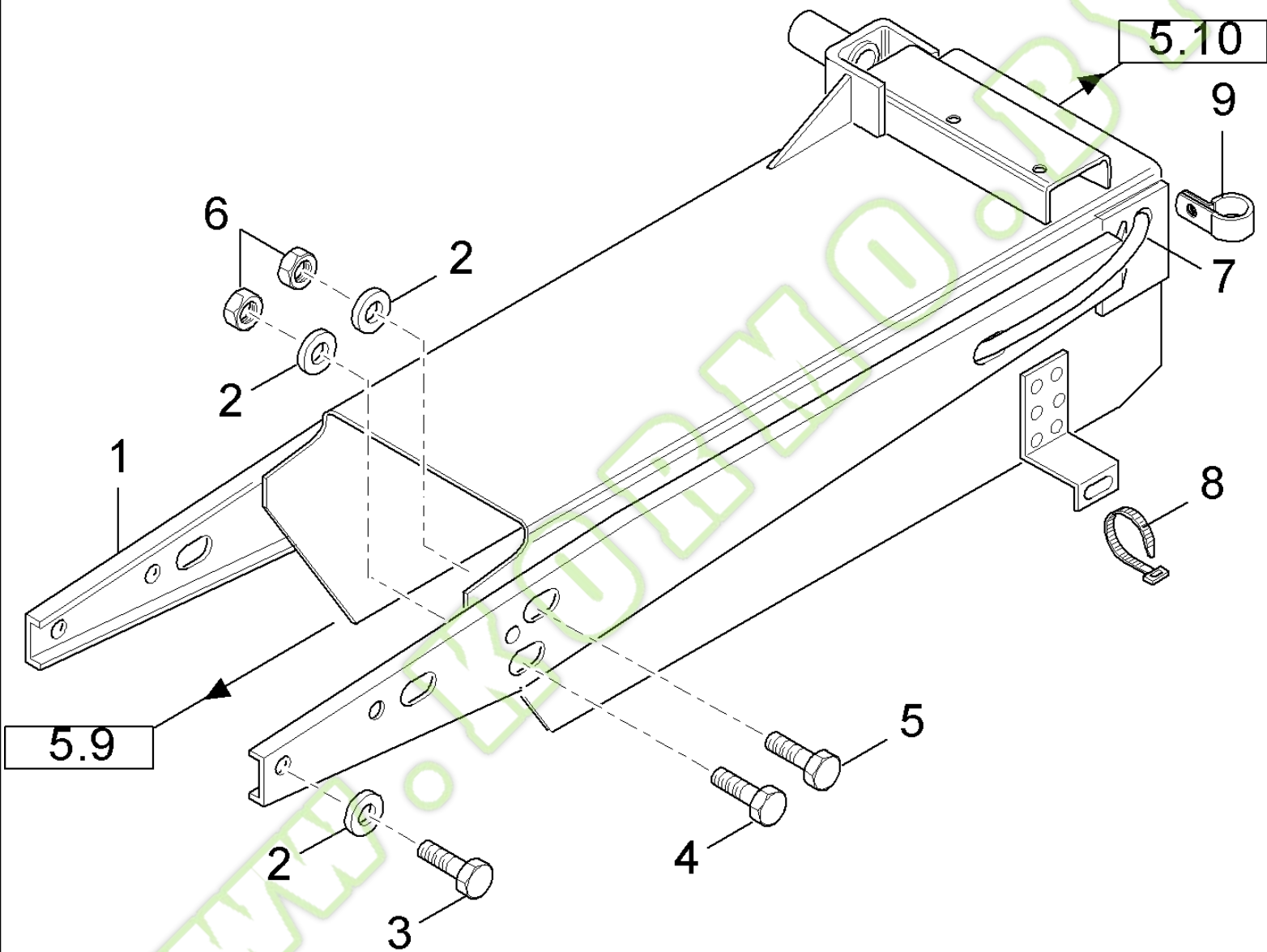
## 05.10A(01) SPOUT

Ref	Part Number	Qty	Description
1	84032125	1	DEFLECTOR, , FOR GRASS ONLY
1	84032127	1	DEFLECTOR, , FOR CORN ONLY
2	84032124	1	DEFLECTOR, , FOR GRASS ONLY
2	84032126	1	DEFLECTOR, , FOR CORN ONLY
3	86516632	2	SPRING,
4	84043464	2	BRACKET,
5	120245	2	SCREW, {PP:80120245} Short NK, M10 x 30, CI8.8, Full Thd, M10X30
6	84043454	4	BUSHING,
7	140045	8	WASHER, LOCK, {PP:80140045} Belleville, M10, 10MM
8	100016	8	NUT, {PP:80100016} M10, CI 8, M10
9	84043453	4	BUSHING,
10	120259	2	SCREW, {PP:80120259} Hex Soc Flat Hd, M10 x 40, 8.8, M10X40
11	374892	2	BOLT, {PP:80374892} Short NK, M10 x 40, CI8.8, Full Thd, M10X40
12	80320772	2	SCREW, M10X30
13	378245	3	WASHER, {PP:80378245} 12MM
14	130005	2	PIN, SPLIT (COTTER), {PP:80130005} M3.2 x 32, 3X32
15	84032120	1	CONNECTOR, HYD.,
16	382528	1	CLAMP, {PP:80382528}
17	364164	1	NUT, {PP:80364164} Thin, M16 x 1.5, CI 04, M16X1.5
18	84021572	1	BELLOWS,
19	382527	1	CLAMP, {PP:80382527}
20	84032119	1	SUPPORT,
21	140046	2	WASHER, LOCK, {PP:80140046} Belleville, M12, 12MM
22	388113	2	SCREW, {PP:80388113} Hex, M12 x 16, 8.8, Full Thd, M12X16
23	337475	2	NUT, {PP:80337475} M12, CI 10, M12

ONLY VALID FROM SERIAL NO. --14001 OR FLIPPER KIT UNTIL --13999







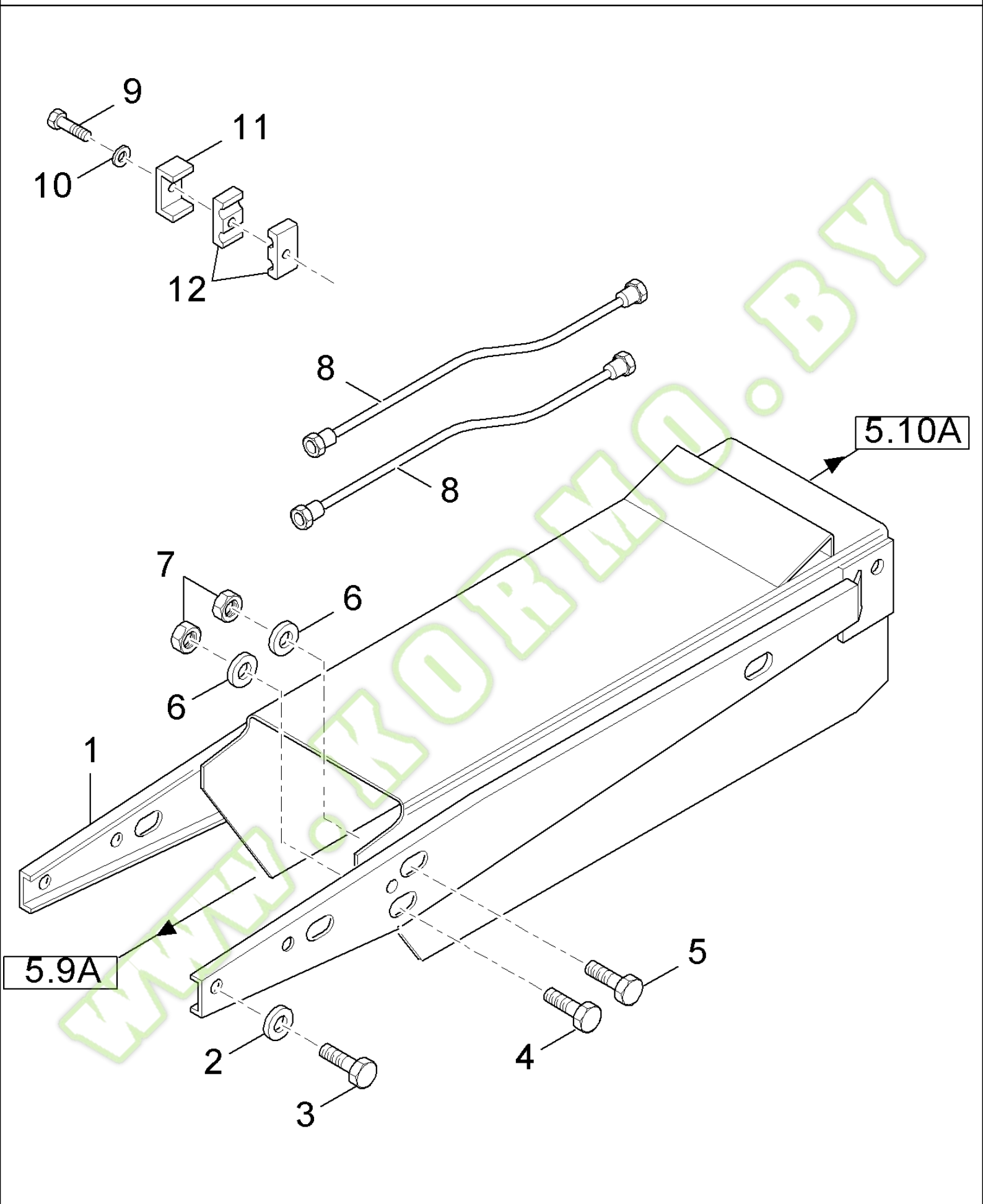
## FX375 NH SELF PROPELLED FORAGE HARVESTER - YELLOW VERSION

## 05.11(01) SPOUT EXTENSION

Ref	Part Number	Qty	Description
1	84038287	1	EXTENSION,
2	140045	9	WASHER, LOCK, {PP:80140045} Belleville, M10, 10MM
4	120041	2	BOLT, {PP:80120041} Short NK, M10 x 20, CI8.8, Full Thd, M10 X 20
5	412671	2	SCREW, {PP:80412671} Hex Soc Flat Hd, M10 x 20, 8.8, M10 X 20
6	100016	4	NUT, {PP:80100016} M10, CI 8, M10
7	84035014	1	HARNESS, WIRE,
9	9503928	2	CLAMP, {PP:89503928}
8	323597	2	STRAP, {PP:80323597}
3	120109	4	SCREW, {PP:80120109} Hex, M10 x 20, 8.8, Full Thd, M10 X 20

ONLY VALID UNTIL SERIAL NO. --13999





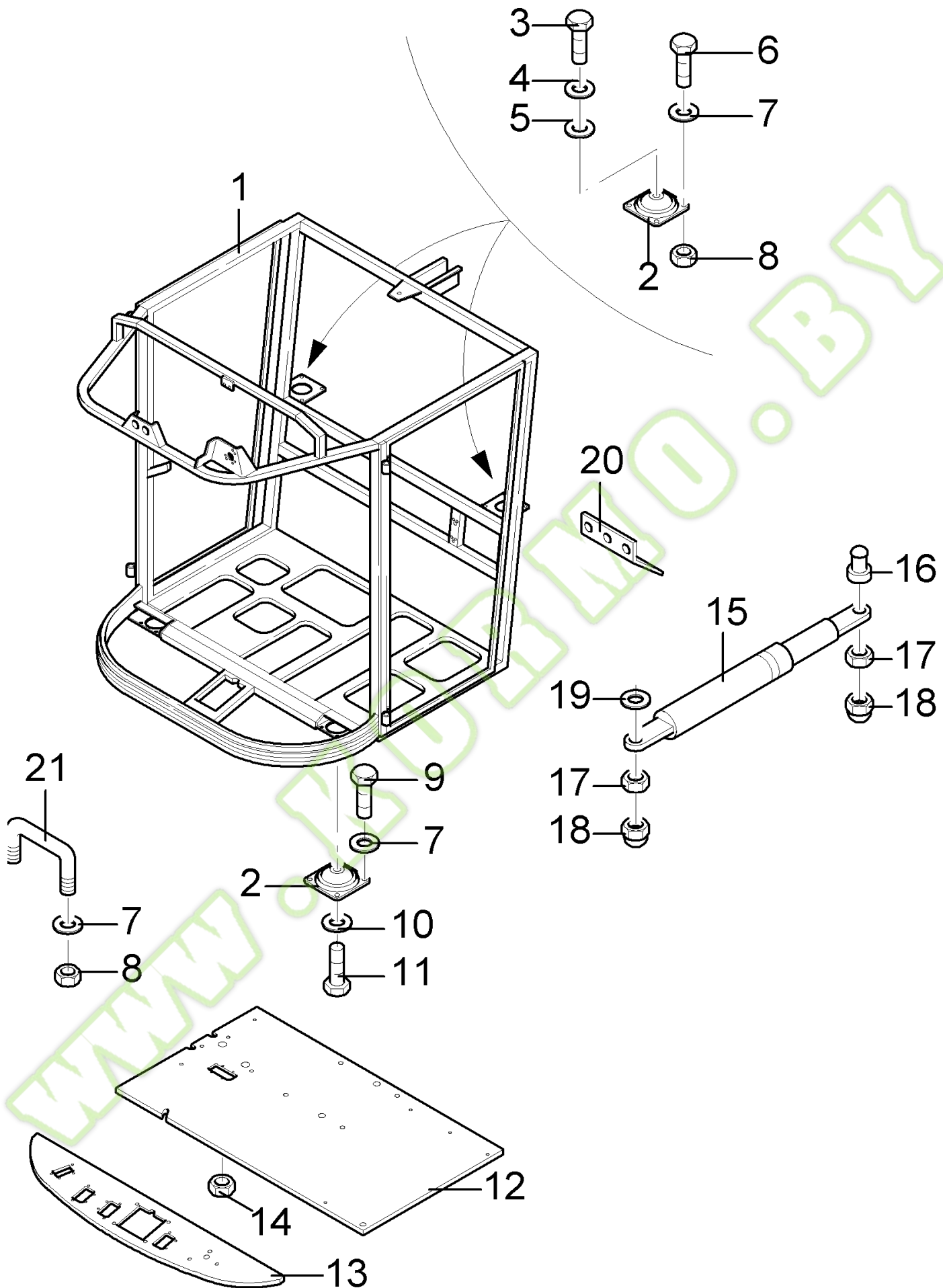
## FX375 NH SELF PROPELLED FORAGE HARVESTER - YELLOW VERSION

## 05.12(01) SPOUT EXTENSION

Ref	Part Number	Qty	Description
1	84043354	1	EXTENSION,
1	84043355	1	SPOUT, DISCHARGE, , FOR NORTH AMERIKA ONLY
2	140046	4	WASHER, LOCK, {PP:80140046} Belleville, M12, 12MM
3	120119	4	BOLT, {PP:80120119} Hex, M12 x 20, 8.8, Full Thd, M12X20
4	120041	2	BOLT, {PP:80120041} Short NK, M10 x 20, CI8.8, Full Thd, M10X20
5	412671	2	SCREW, {PP:80412671} Hex Soc Flat Hd, M10 x 20, 8.8, M10X20
6	140045	4	WASHER, LOCK, {PP:80140045} Belleville, M10, 10MM
7	100016	4	NUT, {PP:80100016} M10, CI 8, M10
8	9831825	2	HOSE, {PP:89831825}
9	120056	2	SCREW, {PP:80120056} Hex, M6 x 50, 8.8, M6X50
10	322357	2	WASHER, LOCK, {PP:80322357} Belleville, M6, Belleville, M6
11	431941	2	SUPPORT, {PP:80431941}
12	430357	4	CLAMP, {PP:80430357}

ONLY VALID FROM SERIAL NO. --14001

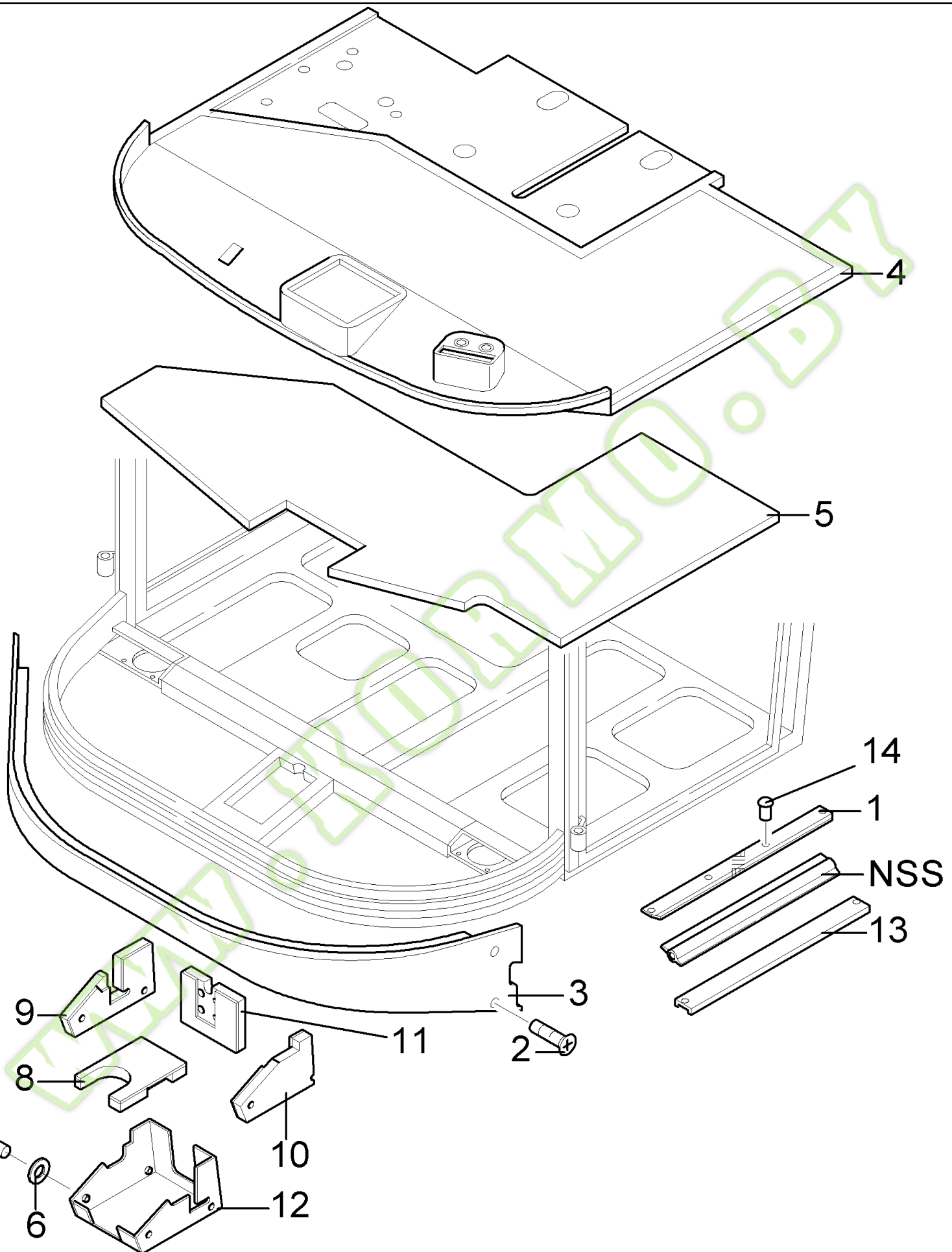




## FX375 NH SELF PROPELLED FORAGE HARVESTER - YELLOW VERSION

## 06.01(01) CABINE

Ref	Part Number	Qty	Description
1	84001211	1	CAB,
2	84053736	4	DAMPER,
3	120072	2	SCREW, {PP:80120072} Hex, M10 x 70, 8.8, M10 X 70
4	140045	2	WASHER, LOCK, {PP:80140045} Belleville, M10, 10MM
5	446694	2	WASHER, {PP:80446694}
6	80120104	8	SCREW, M8 X 20
7	322358	18	WASHER, LOCK, {PP:80322358} Belleville, M8, MM
8	100015	10	NUT, {PP:80100015} M8, CI 8, M8
10	140046	2	WASHER, LOCK, {PP:80140046} Belleville, M12, 12MM
12	84002531	1	FLOOR,
13	84001618	1	MAT,
14	353068	4	NUT, {PP:80353068} M6
15	84021178	1	GAS STRUT,
16	9812123	1	BUSHING, {PP:89812123}
17	100067	2	NUT, {PP:80100067} M8 x 1.25", CI 8, M8
18	458639	2	PLUG, {PP:80458639}
19	350240	2	WASHER, {PP:80350240}
20	84002257	1	PLATE, COVER,
21	84014562	1	SUPPORT, , FOR FRANCE ONLY
11	9706687	2	SCREW, {PP:89706687} Hex, M12 x 30, 8.8, M12 X 30
9	16043224	8	SCREW, Hex, M8 x 16, 8.8, Full Thd, M8 X 16



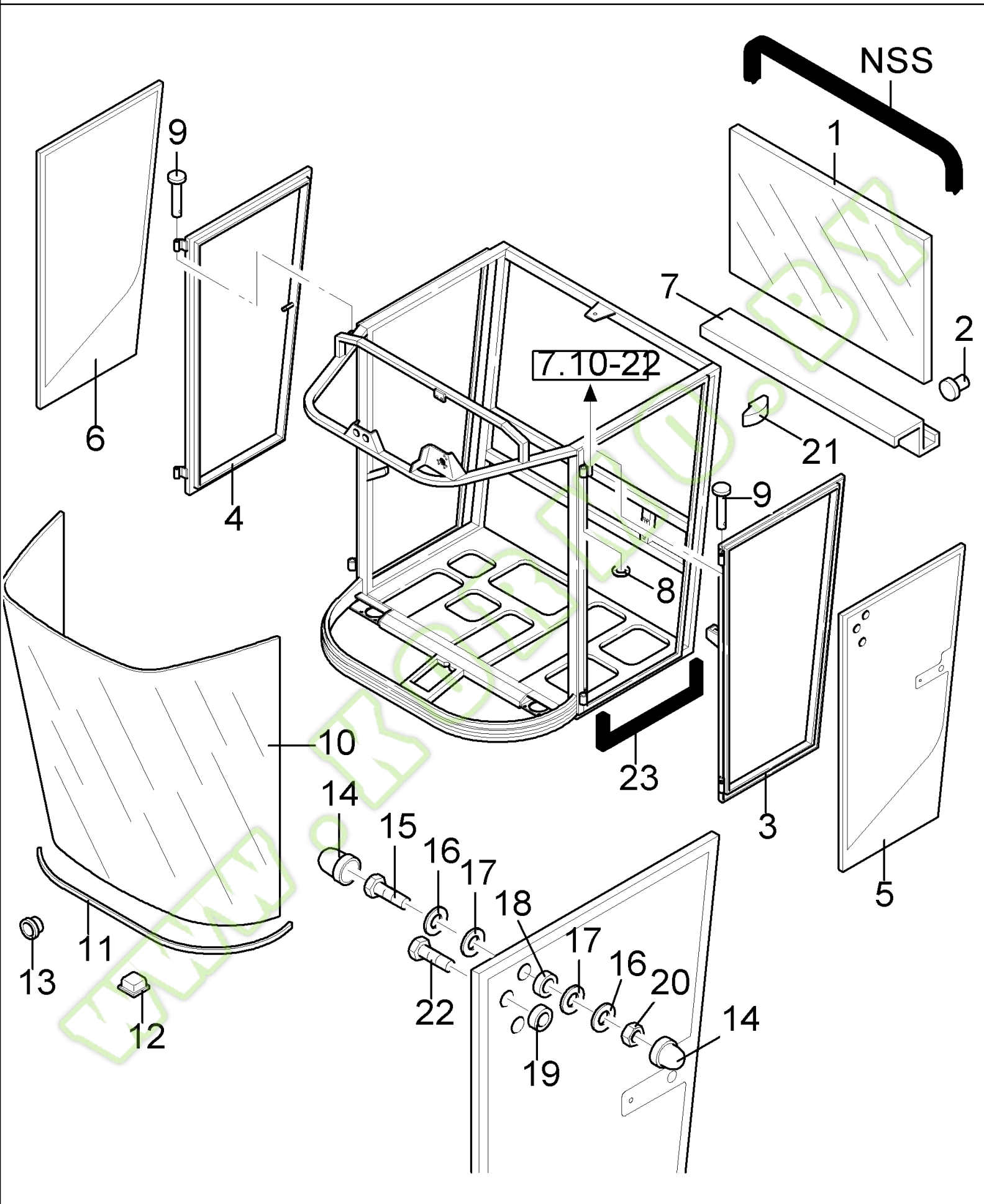
## FX375 NH SELF PROPELLED FORAGE HARVESTER - YELLOW VERSION

## 06.02(01) CAB FLOOR

Ref	Part Number	Qty	Description
1	84001240	1	PLATE, COVER,
2	84007083	4	SCREW,
3	84001674	1	COVER, , FOR FX300-375-450 ONLY
3	85002400	1	COVER, , FOR 9630-9640-9645 ONLY
4	84035029	1	MAT,
5	84001569	1	PLATE,
6	322357	4	WASHER, LOCK, {PP:80322357} Belleville, M6, Belleville, M6
7	80120099	AR	SCREW, Hex, M6 x 16, 8.8, M6X16
8	84011276	1	SOFT TRIM,
9	84011277	1	SOFT TRIM,
10	84011278	1	SOFT TRIM,
11	84011279	1	SOFT TRIM,
12	84015542	1	COVER,
13	84002922	AR	PLATE, COVER, , D1300-
14	425520	4	RIVET, {PP:80425520}

WWW.KORMO.BY

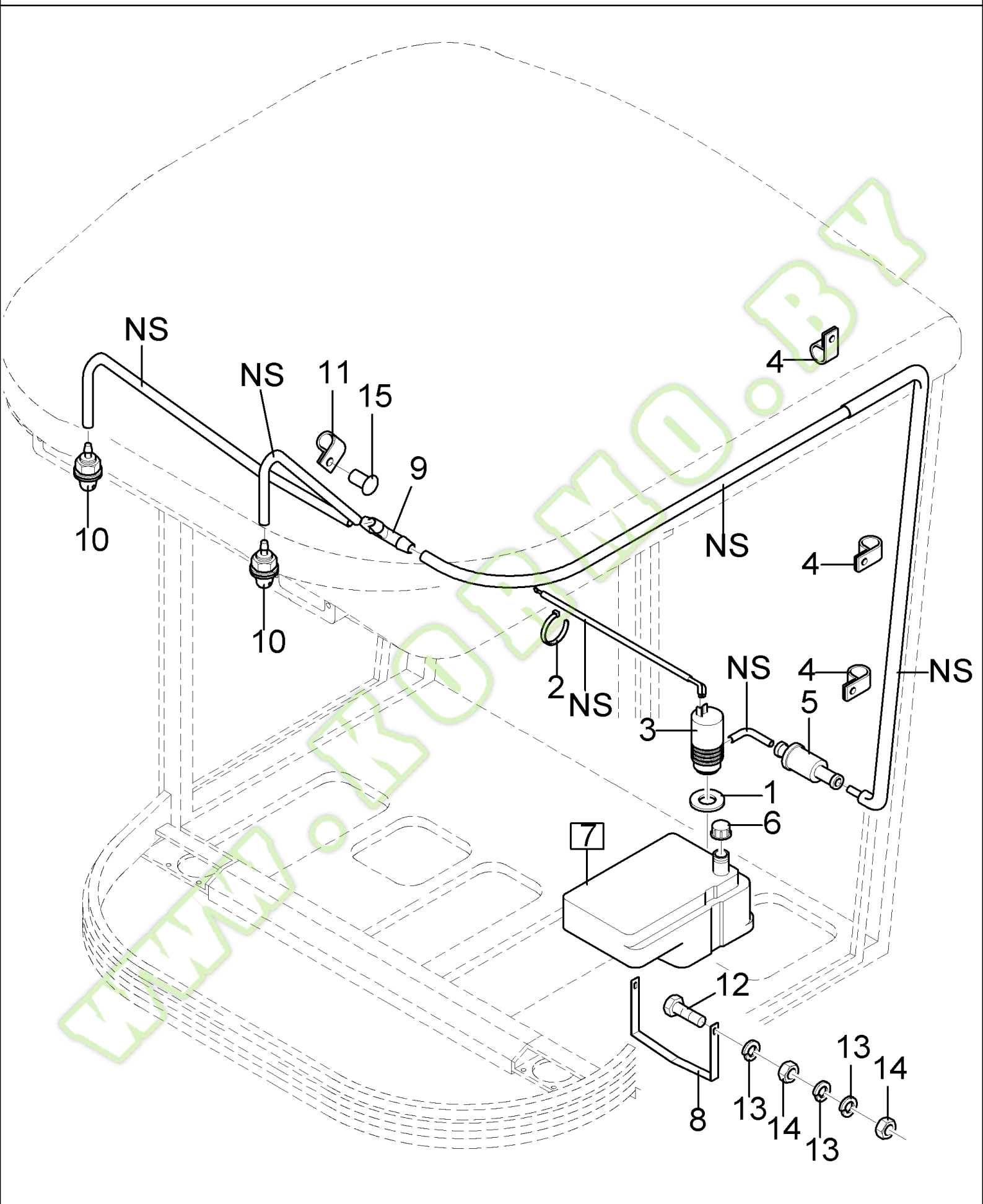




## FX375 NH SELF PROPELLED FORAGE HARVESTER - YELLOW VERSION

## 06.03(01) CABINE WINDOW PANES

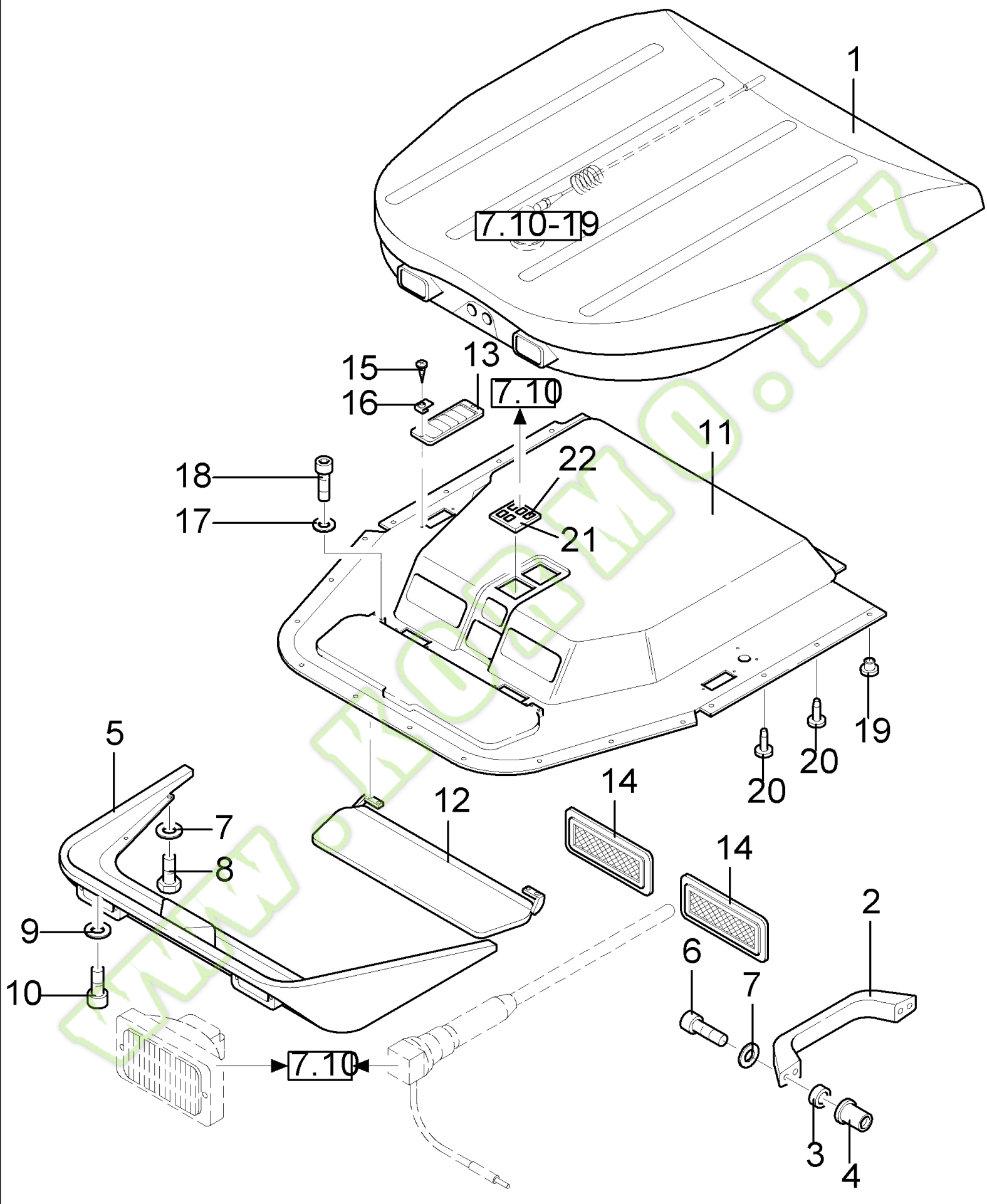
Ref	Part Number	Qty	Description
1	89812479	1	GLASS,
2	9992358	AR	ELASTIC STOP, {PP:89992358}
3	84001701	1	CAB DOOR, LH,
4	9500096	1	CAB DOOR, RH, {PP:89500096}
5	84001859	1	GLASS, , -C0412
5	84002641	1	GLASS ASSY, CAB, , D1300-
6	740854	1	GLASS, {PP:80740854} , -C0412
6	84002642	1	GLASS ASSY, CAB, , D1300-
7	84001896	2	BRACKET,
8	431021	4	RING, LOCKING, {PP:80431021}
9	412561	4	PIN, CLEVIS, {PP:80412561} , D0900-
9	412607	4	PIN, {PP:80412607} , -C0408
10	740775	1	GLASS, {PP:80740775}
11	9501985	AR	ELEMENT, SEALING, {PP:89501985} L=10M
12	9818501	AR	PLUG, {PP:89818501}
13	9992359	AR	PLUG, {PP:89992359}
14	458639	12	PLUG, {PP:80458639} , D1300-
15	43127	6	BOLT, {PP:80043127} Hex, M8 x 25, 8.8, M8X25, D1300-
16	84042302	12	WASHER, , D1300-
17	338260	12	WASHER, {PP:80338260} , D1300-
18	84002644	4	BUSHING, , D1300-
19	84002643	2	BUSHING, , D1300-
20	100015	6	NUT, {PP:80100015} M8, CI 8, M8, D1300-
21	9500198	1	HOOK, {PP:89500198}
22	331619	1	SCREW, {PP:80331619}
23	84014500	AR	ELEMENT, SEALING,



## FX375 NH SELF PROPELLED FORAGE HARVESTER - YELLOW VERSION

## 06.03A(01) SCREEN WASHER FOR FRONT WINDOW

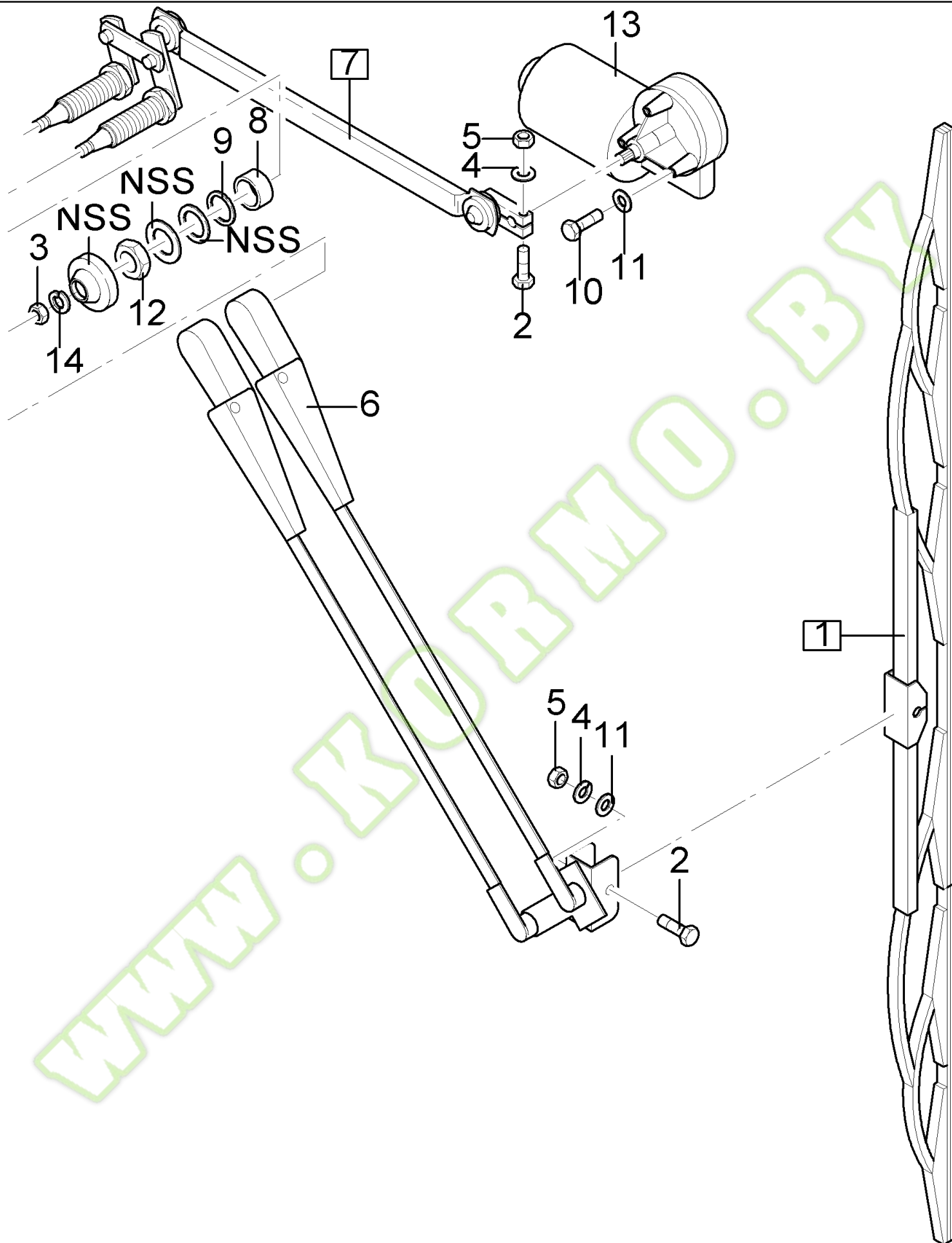
Ref	Part Number	Qty	Description
1	84037531	1	ELEMENT, SEALING,
3	84037533	1	PUMP, WATER,
4	9503930	3	CLAMP, {PP:89503930} RP16
5	84037530	1	VALVE, ADVANCE,
6	84041004	1	CAP,
7	84002498	1	RESERVOIR, WINDSH. WASH, (1,3,6)
8	84002499	1	CLAMP,
9	84037529	1	CONNECTION, 3 WAY,
10	84037532	2	NOZZLE, , D1400-
10	84038325	2	NOZZLE, , -C0413
11	353072	2	CLAMP, {PP:80353072}
12	86977786	2	BOLT, Hex, M6 x 25, 8.8, M6X25
13	322357	6	WASHER, LOCK, {PP:80322357} Belleville, M6, Belleville, M6
14	9706755	4	NUT, {PP:89706755} M6, CI 8, M6
15	425520	2	RIVET, {PP:80425520}
2	323597	3	STRAP, {PP:80323597}



## FX375 NH SELF PROPELLED FORAGE HARVESTER - YELLOW VERSION

## 06.04(01) CAB ROOF

Ref	Part Number	Qty	Description
1	9501572	1	COVER, CAP, {PP:89501572} , FOR FX300-375-450 ONLY, -C0413
1	84035353	1	ROOF, , INCLUDING ITEM 19 ON GROUP 7.10 (ANTENNE), FOR FX300-375-450 ONLY, D1400-
1	85002672	1	COVER, CAP, , FOR 9630-9640-9645 ONLY, -C0413
1	85005606	1	ROOF, , INCLUDING ITEM 19 ON GROUP 7.10 (ANTENNE), FOR 9630-9640-9645 ONLY, D1400-
2	9500185	1	HANDLE GRIP, {PP:89500185}
3	140015	2	WASHER, {PP:80140015} , D1300-
3	396606	2	RING, {PP:80396606} , -C0412
4	353068	2	NUT, {PP:80353068} M6
5	9507659	1	COVER, {PP:89507659} , -C0413
6	120015	2	SCREW, {PP:80120015} Cross Pan Hd, M6 x 25, M6 X 25
7	322357	6	WASHER, LOCK, {PP:80322357} Belleville, M6, Belleville, M6
8	80120099	4	SCREW, Hex, M6 x 16, 8.8, M6 X 16
9	84007539	2	WASHER,
10	84007540	2	SCREW, M6 X 25
11	84035031	1	SOFT TRIM, , D1000-
11	9500149	1	COVER, {PP:89500149} , -C0409
12	9500213	1	SUN VISOR, {PP:89500213}
13	9504600	6	GRILLE, {PP:89504600}
14	F1NN9404587AA	2	PLATE, {PP:81868985}
15	9835804	AR	SCREW, {PP:89835804}
16	84005699	AR	CLIP,
17	322355	4	WASHER, LOCK, {PP:80322355} Belleville, M4, 4MM
18	120007	4	SCREW, {PP:80120007} Cross Pan Hd, M4 x 16, M4 X 16
19	84014802	1	PLUG,
20	84000834	18	PLUG,
21	84002869	1	PLATE, COVER,
22	9504368	5	PLUG, {PP:89504368}

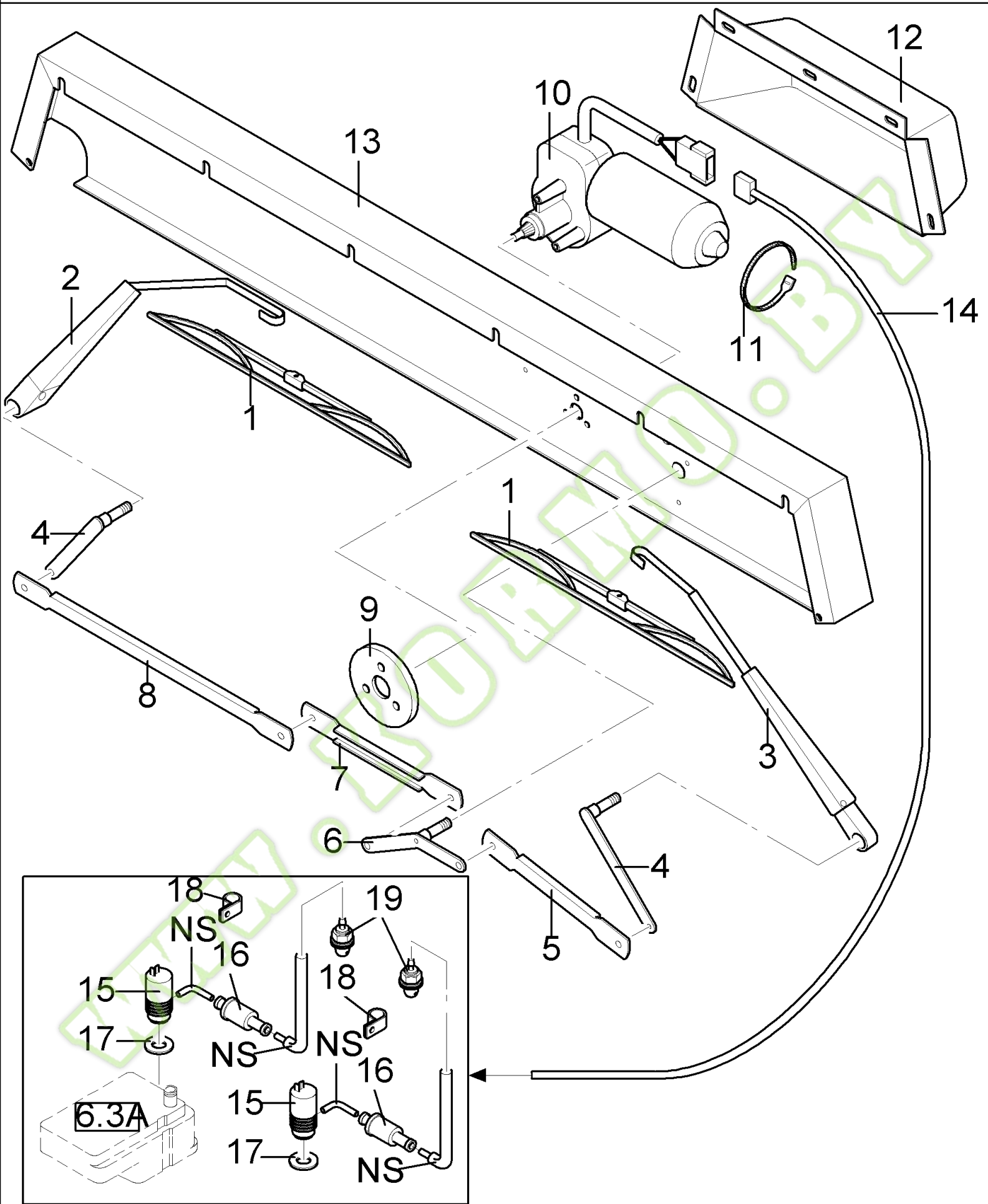


## FX375 NH SELF PROPELLED FORAGE HARVESTER - YELLOW VERSION

## 06.05(01) WINDSCREEN WIPER, FRONT

Ref	Part Number	Qty	Description
1	84007417	1	WIPER BLADE, (2 TO 5)
2	120101	2	SCREW, {PP:80120101} Hex, M6 x 30, 8.8, Full Thd, M6X30
3	100016	2	NUT, {PP:80100016} M10, CI 8, M10
4	140015	2	WASHER, {PP:80140015} 6MM
5	353308	2	NUT, {PP:80353308} M6 x 1, CI 8, M6
6	84007418	1	ARM,
7	84007420	1	ARM, (8 TO 15)
8	32406	1	SPACER, {PP:80032406}
9	412568	2	WASHER, {PP:80412568}
10	80120099	3	SCREW, Hex, M6 x 16, 8.8, M6X16
11	322357	4	WASHER, LOCK, {PP:80322357} Belleville, M6, Belleville, M6
12	412569	2	NUT, {PP:80412569} M26 x 1, CI 8, M26
13	84007419	1	WIPER MOTOR,
14	140045	2	WASHER, LOCK, {PP:80140045} Belleville, M10,

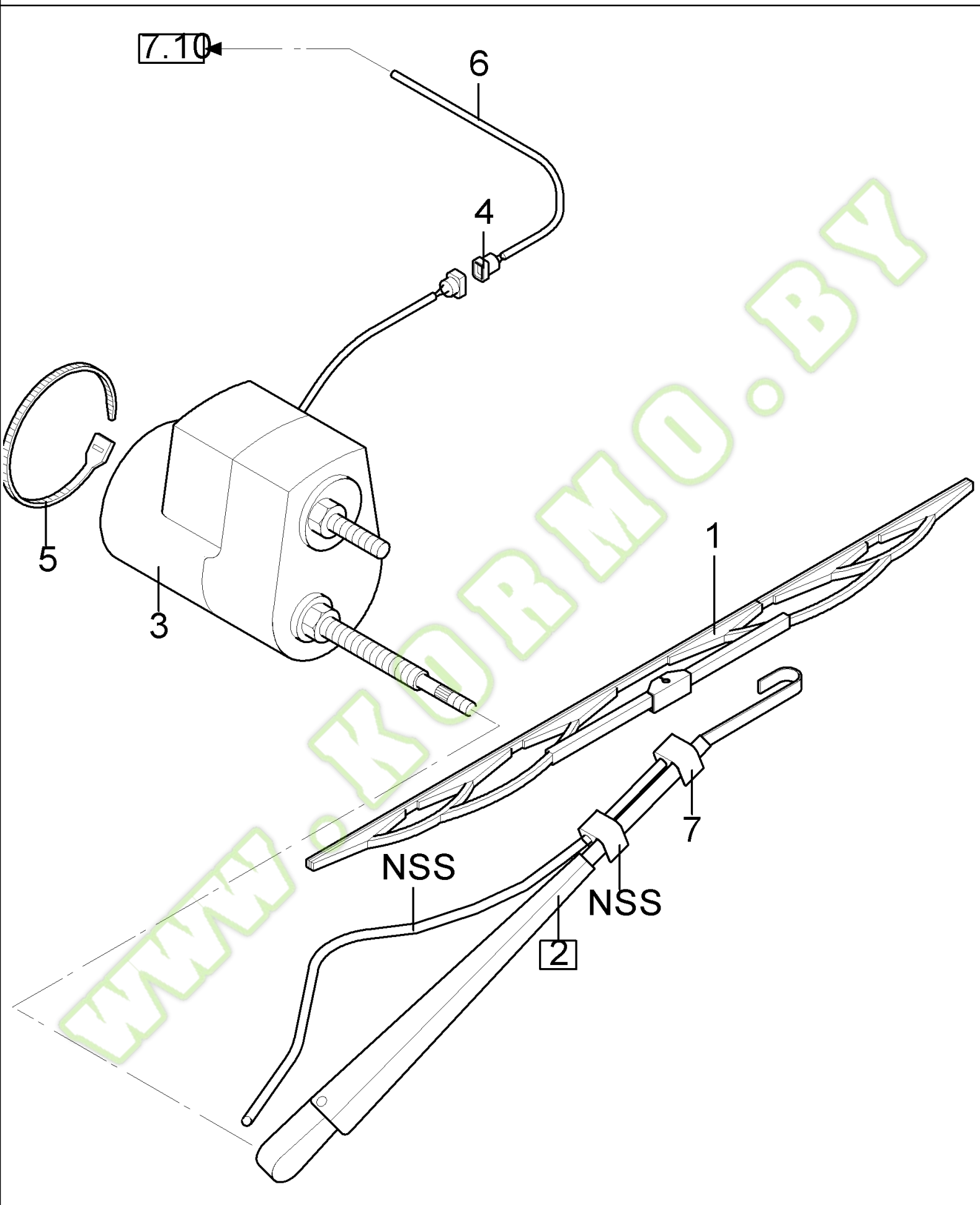




## FX375 NH SELF PROPELLED FORAGE HARVESTER - YELLOW VERSION

## 06.05A(01) WINDSCREEN WIPER, REAR

Ref	Part Number	Qty	Description
1	84041733	2	WIPER BLADE,
2	84041735	1	WIPER ARM, RH
3	84041734	1	WIPER ARM, LH
4	84042633	2	LEVER,
5	84042634	1	LEVER,
6	84042635	1	LEVER,
7	84042636	1	ROD,
8	84042638	1	LEVER,
9	84042637	1	LEVER,
10	84041732	1	MOTOR, ELECTRIC,
11	396718	1	STRAP, {PP:80396718}
12	84002948	1	SHIELD,
13	84002451	1	PLATE, COVER,
14	84002937	1	HARNESS, WIRE,
15	84037533	2	PUMP, WATER, 12V
16	84037530	2	VALVE, ADVANCE,
17	84037531	2	ELEMENT, SEALING,
18	332401	5	CLAMP, WIRE, {PP:80332401}
18	353072	9	CLAMP, {PP:80353072}
19	84037532	2	NOZZLE,

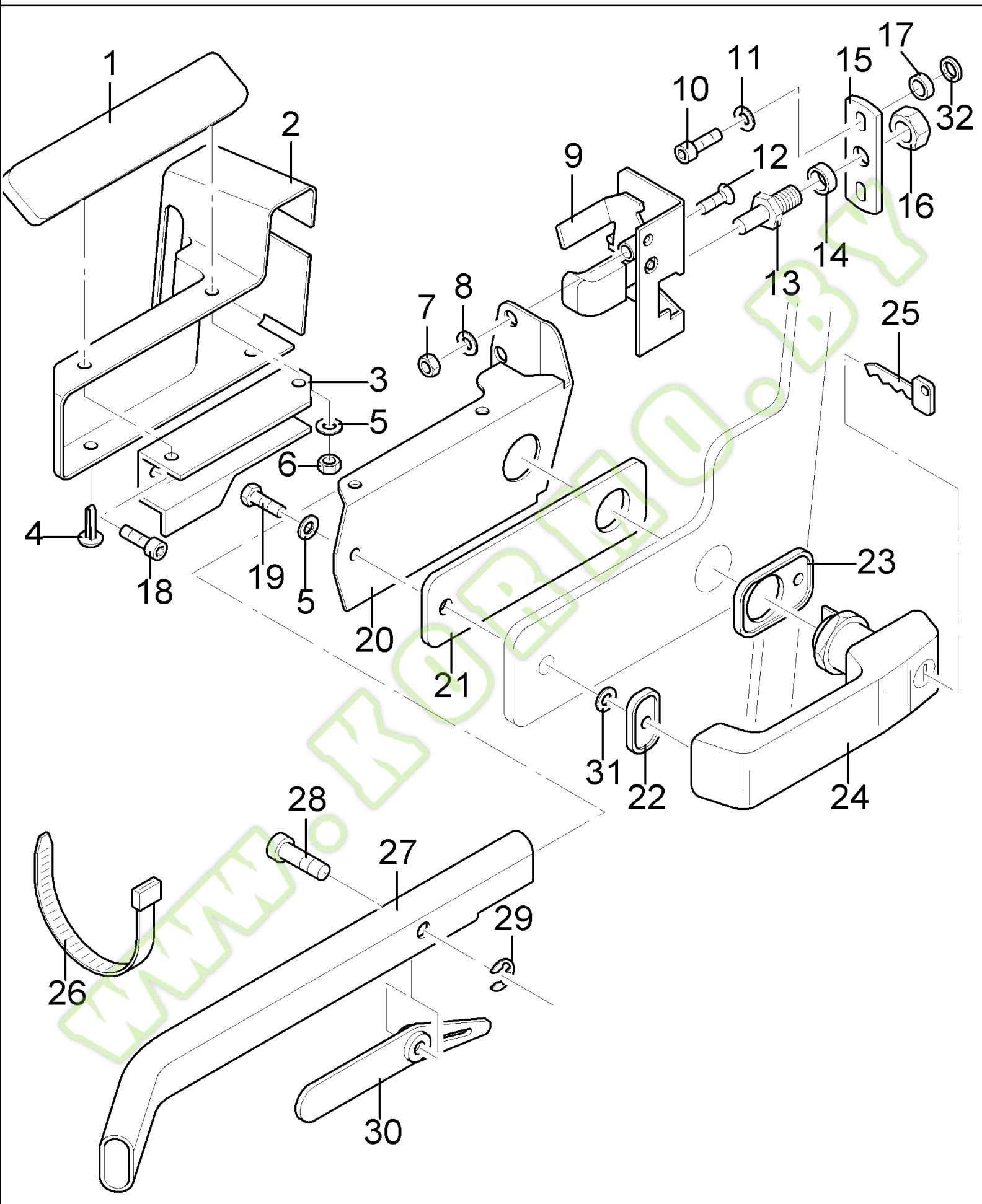


## FX375 NH SELF PROPELLED FORAGE HARVESTER - YELLOW VERSION

## 06.05B(01) WINDSCREEN WIPER, SIDE

Ref	Part Number	Qty	Description
1	84041733	2	WIPER BLADE,
2	84041736	1	WIPER ARM, RH,(7)
2	84041741	1	WIPER ARM, LH,(7)
3	84041737	1	MOTOR, ELECTRIC, LH
3	84041738	1	MOTOR, ELECTRIC, RH
4	450238	2	CONNECTOR, {PP:80450238} 4-POLIG
5	95874S	2	CLAMP, {PP:83937270}
6	84002938	1	HARNESS, WIRE,
7	84058729	2	NOZZLE, LUB. OIL JET,

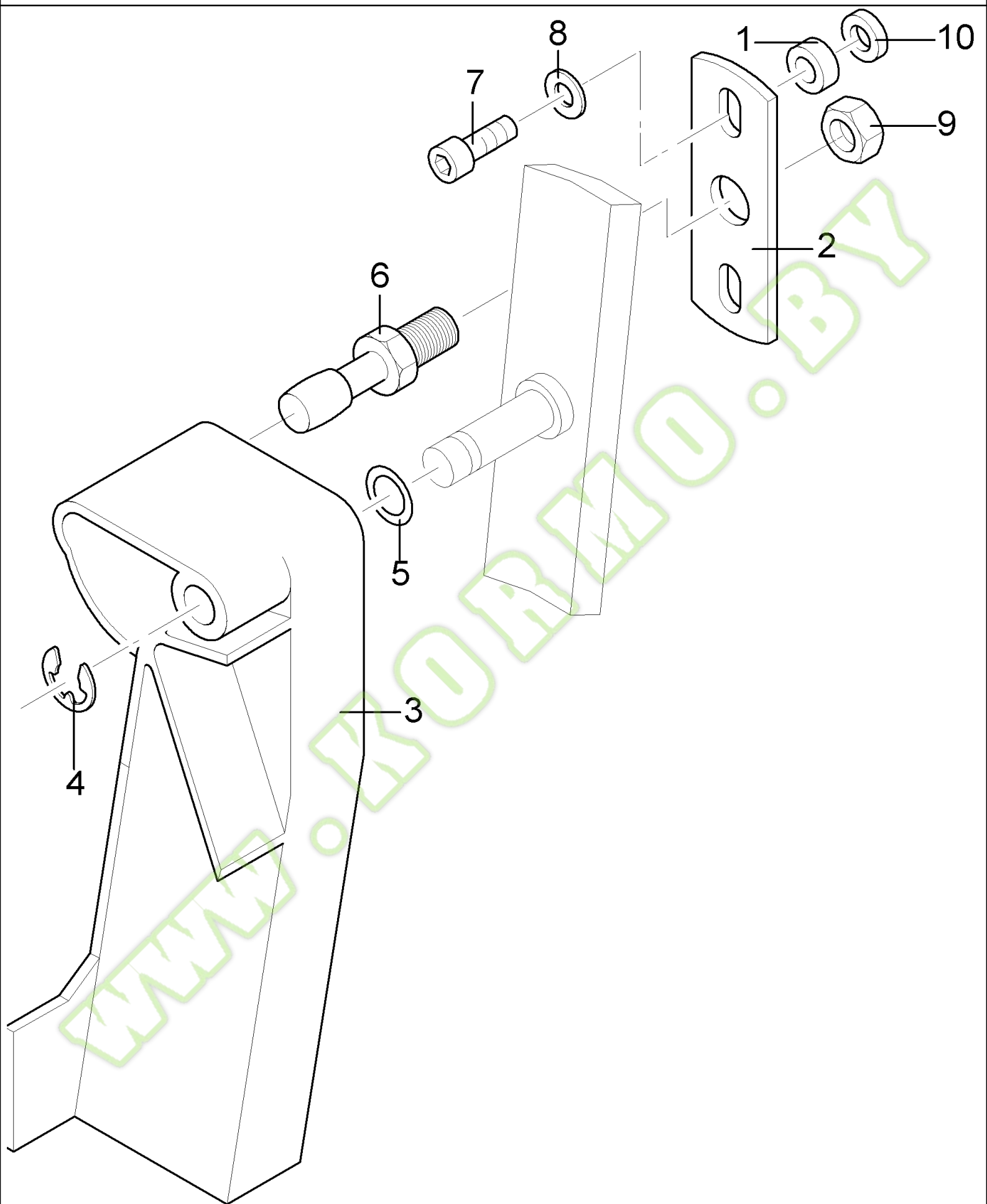
WWW.KORMO.BY



## FX375 NH SELF PROPELLED FORAGE HARVESTER - YELLOW VERSION

## 06.06(01) DOOR LOCK

Ref	Part Number	Qty	Description
1	84001710	1	PLATE,
2	9594290	1	COVER, {PP:89594290}
3	84001709	1	SUPPORT,
4	446914	2	PLUG, {PP:80446914}
5	322357	3	WASHER, LOCK, {PP:80322357} Belleville, M6, Belleville, M6
6	9706755	2	NUT, {PP:89706755} M6, CI 8, M6
7	100015	2	NUT, {PP:80100015} M8, CI 8, M8
8	322358	2	WASHER, LOCK, {PP:80322358} Belleville, M8, 8MM
9	9817980	1	LOCK, {PP:89817980}
10	84007540	2	SCREW, M6 X 25
11	84007539	2	WASHER,
12	300352	2	SCREW, {PP:80300352} Hex Flat Hd, M8 x 40, 4.8, M8 X 40
13	9594675	1	STOP, {PP:89594675}
14	750159	1	RING, {PP:80750159}
15	9812327	2	BRACKET, {PP:89812327}
16	9818861	1	NUT, {PP:89818861} M12 x 1, CI 8, M12 X 1
17	396606	2	RING, {PP:80396606}
18	380426	2	SCREW, {PP:80380426} M6 X 10
19	120101	1	SCREW, {PP:80120101} Hex, M6 x 30, 8.8, Full Thd, M6 X 30
20	84001515	1	SUPPORT,
21	9593403	1	GASKET, {PP:89593403}
22	9513969	1	GASKET, {PP:89513969}
23	9513968	1	GASKET, {PP:89513968}
24	9513970	1	HANDLE, {PP:89513970}
25	E8NN9422053AA	1	KEY, DOOR LOCK, {PP:83963811} CODE 1008
25	84032451	1	KEY, DOOR LOCK, CODE 201
26	747159	1	CLAMP, {PP:80747159}
27	84001707	1	TUBE,
28	84001708	1	PIN,
29	E663210S71	1	CIRCLIP, {PP:83971493}
30	84001706	1	LEVER,
31	264036	1	BUSHING, {PP:80264036}
32	140015	AR	WASHER, {PP:80140015} , D1300-



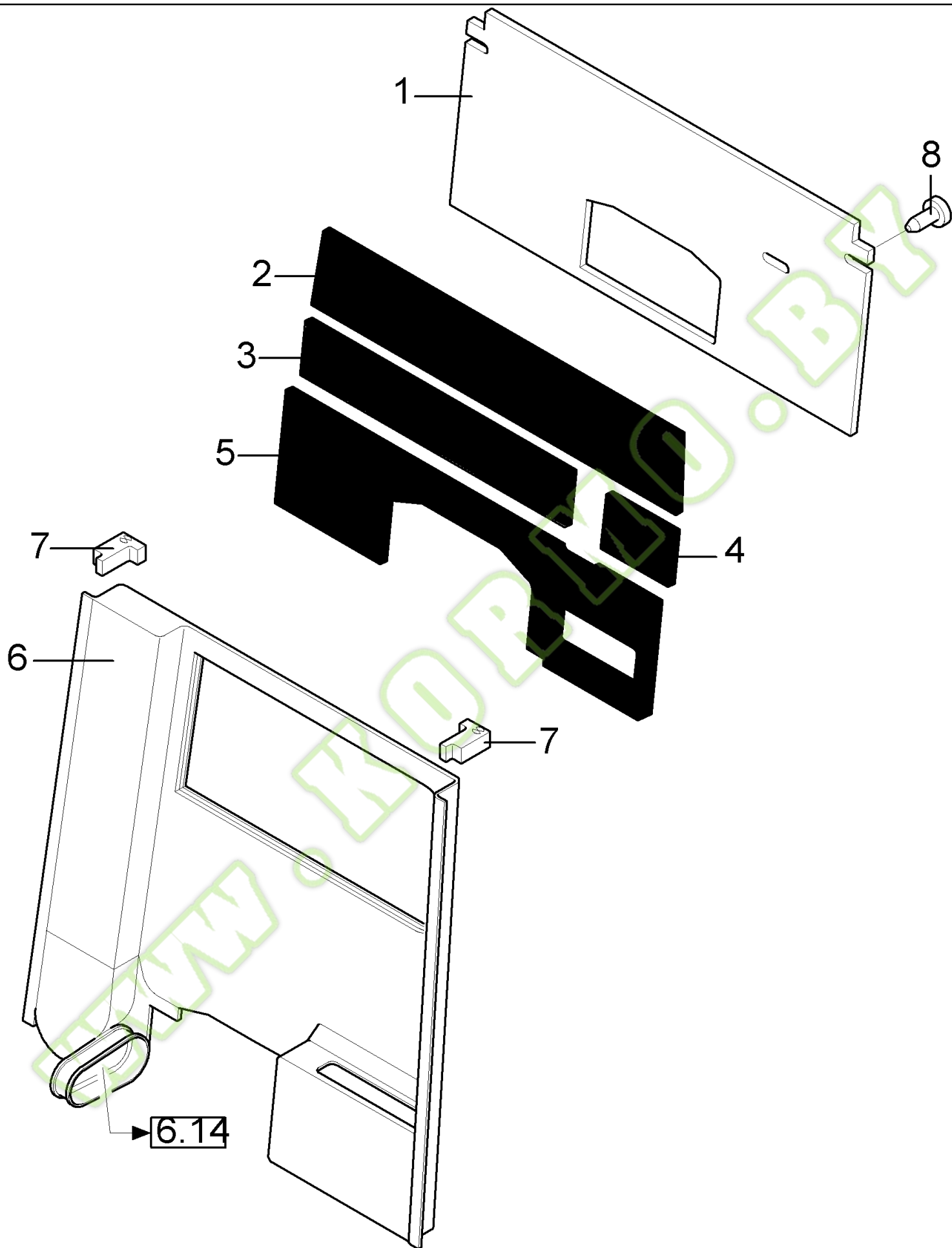
## FX375 NH SELF PROPELLED FORAGE HARVESTER - YELLOW VERSION

## 06.07(01) EMERGENCY DOOR LOCK

Ref	Part Number	Qty	Description
1	396606	2	RING, {PP:80396606}
2	9812327	1	BRACKET, {PP:89812327}
3	83992586	1	HANDLE,
4	E663210S71	1	CIRCLIP, {PP:83971493}
5	236535	1	O-RING, {PP:80236535} -110, 90 Duro, .362" ID x .103" Thk, 90 Duro, .362" ID x .103" Thk
6	E7NN94296N05AC	1	PIN, SPLIT (COTTER), {PP:81871857}
7	84007540	5	SCREW, M6 X 25
8	84007539	2	WASHER,
9	100016	1	NUT, {PP:80100016} M10, CI 8, M10
10	140015	AR	WASHER, {PP:80140015} , D1300-

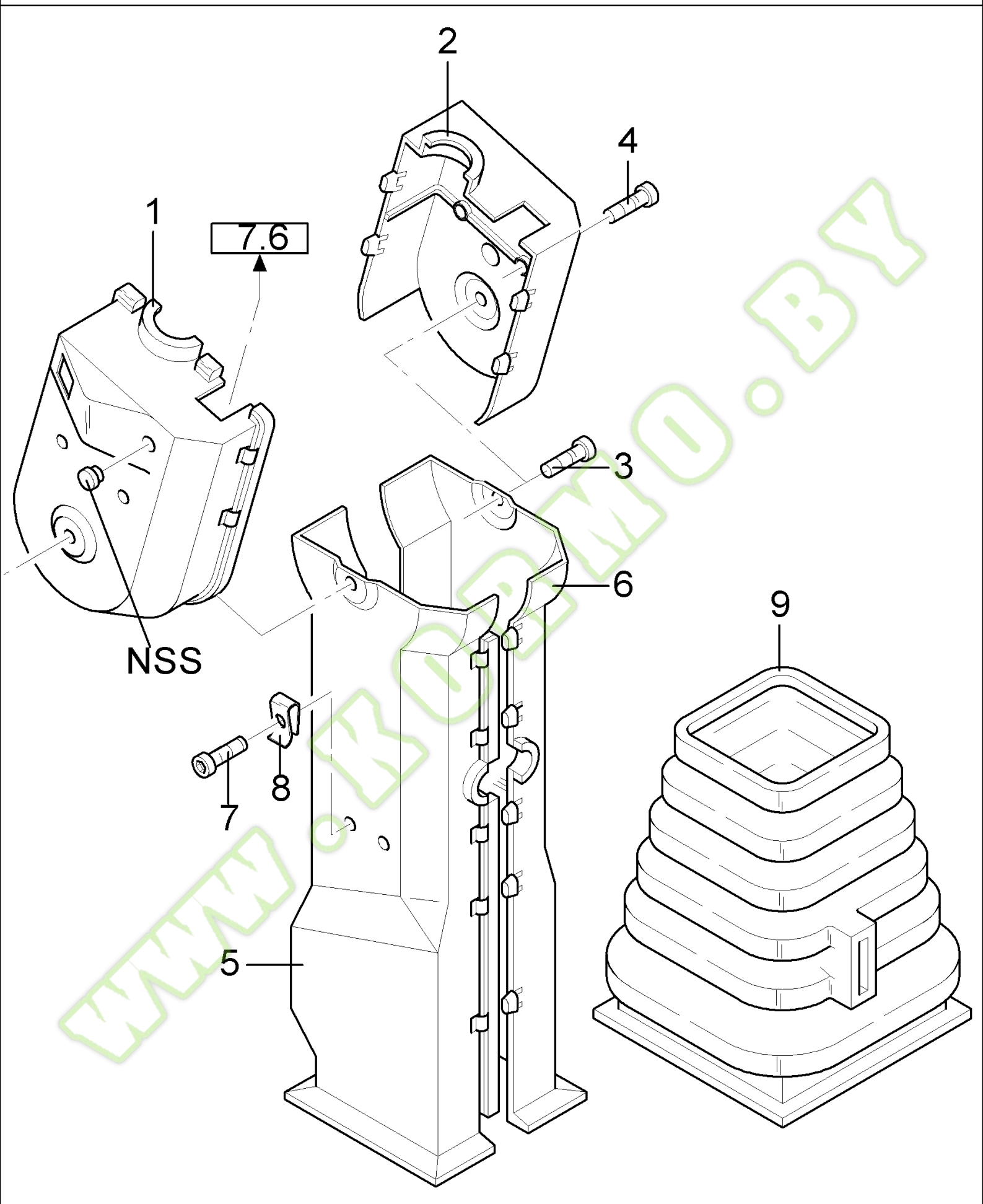
WWW.KORMO.BY





Ref	Part Number	Qty	Description
1	84002427	1	PLATE, COVER, , -C0412
1	84002452	1	PLATE, , D1300-
2	84001946	1	SOFT TRIM, , -C0412
2	84035098	1	SOFT TRIM, , D1300-
3	84001242	1	SOFT TRIM,
4	84001243	1	SOFT TRIM,
5	84001244	1	SOFT TRIM,
6	84001314	1	SOFT TRIM,
7	84001290	2	ELEMENT, SEALING, , -C0408
8	336455	8	PLUG, {PP:80336455}, D1300-

WWW.KORMO.BY

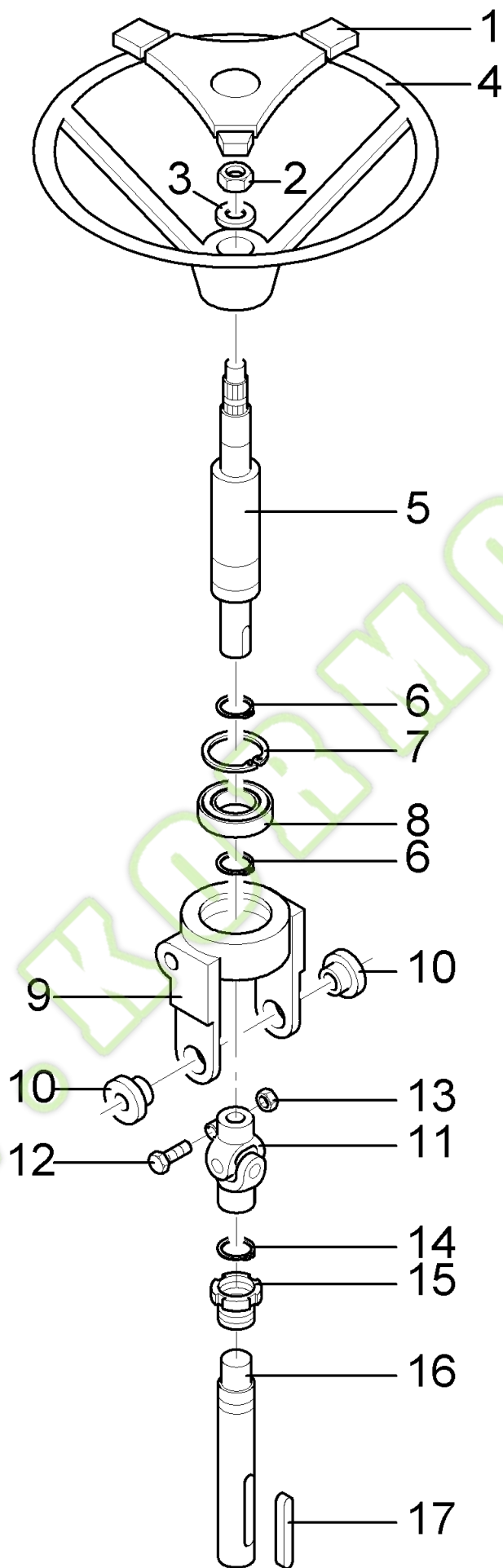


## FX375 NH SELF PROPELLED FORAGE HARVESTER - YELLOW VERSION

## 06.09(01) PIVOTING STEERING COLUMN

Ref	Part Number	Qty	Description
1	84022426	1	COVER,
2	84014916	1	COVER,
3	43128	1	SCREW, {PP:80043128} Hex, M8 x 30, 8.8, Cap, HH, CL 8.8, M8 x 1.25 x 30
4	120007	4	SCREW, {PP:80120007} Cross Pan Hd, M4 x 16, M14 X 14
5	84014918	1	COVER,
6	84014963	1	COVER,
7	9819754	4	SCREW, {PP:89819754}
8	9819712	4	CLIP, {PP:89819712}
9	9819608	1	BELLOWS, {PP:89819608}

WWW.KORMO.BY

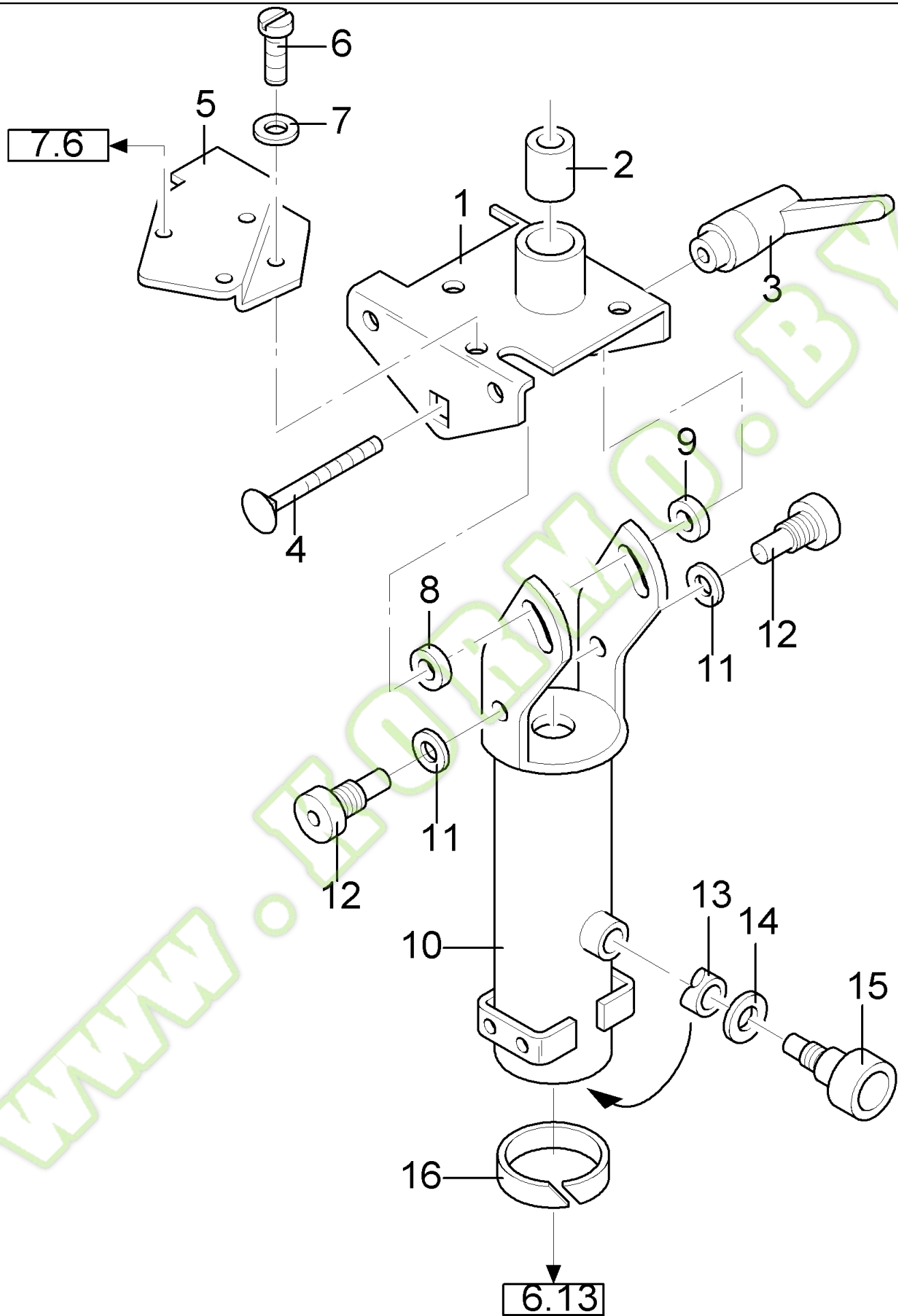


## FX375 NH SELF PROPELLED FORAGE HARVESTER - YELLOW VERSION

## 06.10(01) PIVOTING STEERING COLUMN

Ref	Part Number	Qty	Description
1	84015153	1	COVER,
2	86450	1	NUT, {PP:80086450} 5/8"-18UNF
3	140048	1	WASHER, LOCK, {PP:80140048} Belleville, M16, 16MM
4	F0NN3600AA	1	STEERING WHEEL, {PP:81862887}
5	84014884	1	SHAFT,
6	370024	2	RING, SNAP, {PP:80370024}
7	80300645	1	CIRCLIP,
8	412669	1	BEARING ASSY, {PP:80412669}
9	84014885	1	YOKE,
10	84014886	2	BUSHING,
11	84056200	1	JOINT, UNIVERSAL,
12	412479	1	SCREW, {PP:80412479} Hex, M8 x 35, 8.8, Screw, Cap, HH, CL 8.8, M8 x 1.25 x 35
13	100067	1	NUT, {PP:80100067} M8 x 1.25", CI 8, M8
14	370001	1	CIRCLIP, {PP:80370001}
15	84014883	1	NUT,
16	84014880	1	SHAFT,
17	84014882	1	KEY,

06.11(01) PIVOTING STEERING COLUMN

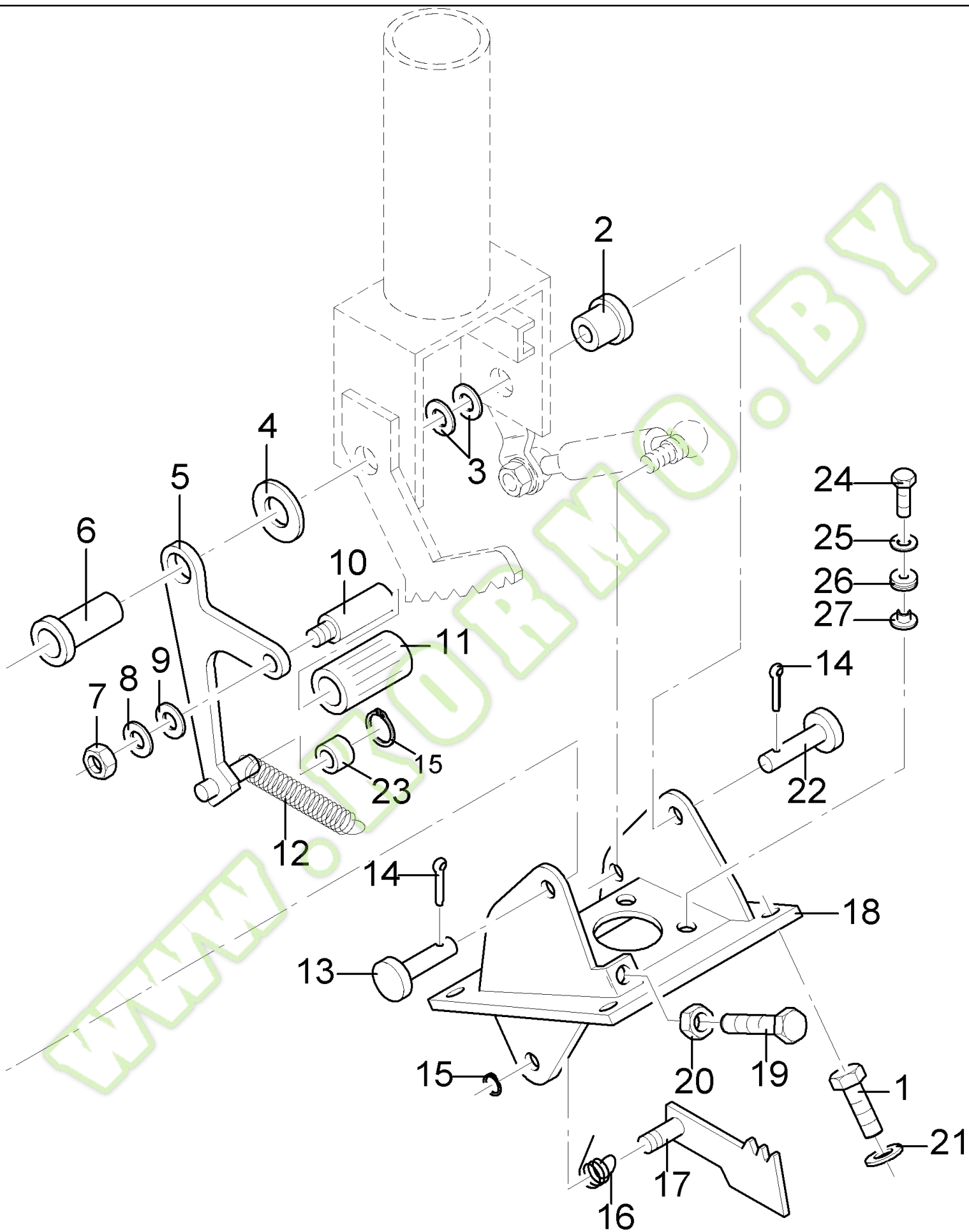


## FX375 NH SELF PROPELLED FORAGE HARVESTER - YELLOW VERSION

## 06.11(01) PIVOTING STEERING COLUMN

Ref	Part Number	Qty	Description
1	84014912	1	SUPPORT,
2	84014911	1	BUSHING,
3	84014891	1	HANDLE,
4	84014888	1	SCREW,
5	84014914	1	SUPPORT,
6	321803	2	BOLT, {PP:80321803} Cross Pan Hd, M4 x 10, M4 X 10
7	322355	2	WASHER, LOCK, {PP:80322355} Belleville, M4,
8	84014889	1	WASHER, LOCK,
9	84014890	1	WASHER, LOCK,
10	84014875	1	STEERING COLUMN,
11	140028	2	WASHER, {PP:80140028} M10,
12	84014887	2	SCREW,
13	84014910	1	WASHER,
14	140045	1	WASHER, LOCK, {PP:80140045} Belleville, M10,
15	84014909	1	KNOB,
16	84014877	2	SLEEVE,

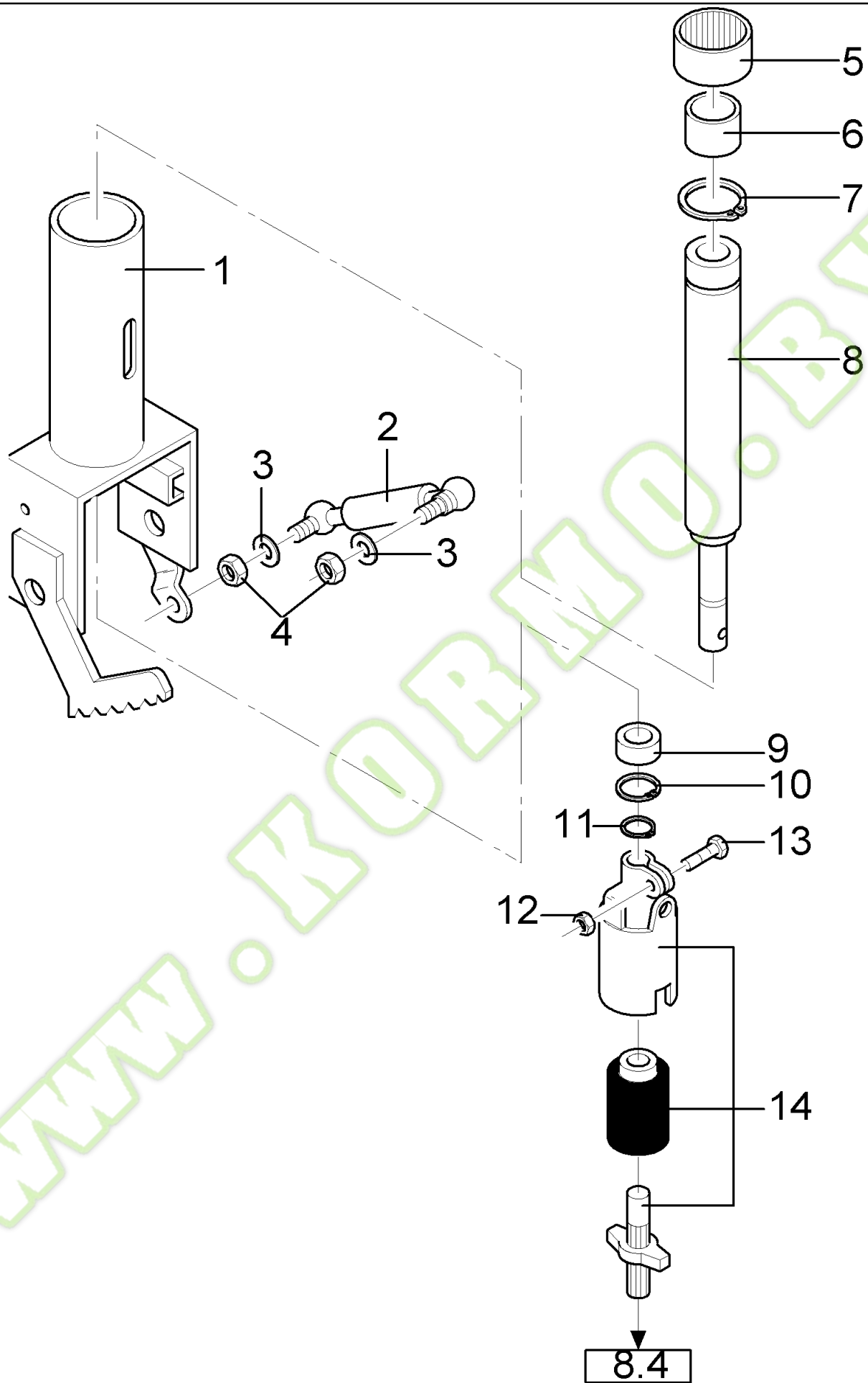




## FX375 NH SELF PROPELLED FORAGE HARVESTER - YELLOW VERSION

## 06.12(01) PIVOTING STEERING COLUMN

Ref	Part Number	Qty	Description
1	80120104	1	SCREW, M8X20
2	84014896	1	BUSHING,
3	325291	2	WASHER, {PP:80325291}
4	84014898	1	WASHER,
5	84014899	1	LEVER,
6	84014897	1	BUSHING,
7	100016	1	NUT, {PP:80100016} M10, CI 8, M10
8	140028	1	WASHER, {PP:80140028} M10,
9	378244	1	WASHER, LOCK, {PP:80378244}
10	84014905	1	PEDAL,
11	84014906	1	PAD, RUBBER,
12	84014904	1	SPRING,
13	84014894	1	PIN,
14	130007	2	PIN, SPLIT (COTTER), {PP:80130007} M4 x 25,
15	84014901	2	CIRCLIP,
16	84014903	1	SPRING,
17	84014902	1	TAB, LOCKING,
18	84014893	1	SUPPORT,
19	43128	6	SCREW, {PP:80043128} Hex, M8 x 30, 8.8, Cap, HH, CL 8.8, M8 x 1.25 x 30
20	100015	2	NUT, {PP:80100015} M8, CI 8, M8
21	322358	6	WASHER, LOCK, {PP:80322358} Belleville, M8,
22	84014895	1	PIN,
23	84014900	1	BUSHING,
25	140045	4	WASHER, LOCK, {PP:80140045} Belleville, M10, 10MM
26	89514935	4	SHOCK ABSORBER,
27	89819785	4	FLANGE,
24	43140	4	BOLT, {PP:80043140} Hex, M10 x 30, 8.8, M10X30

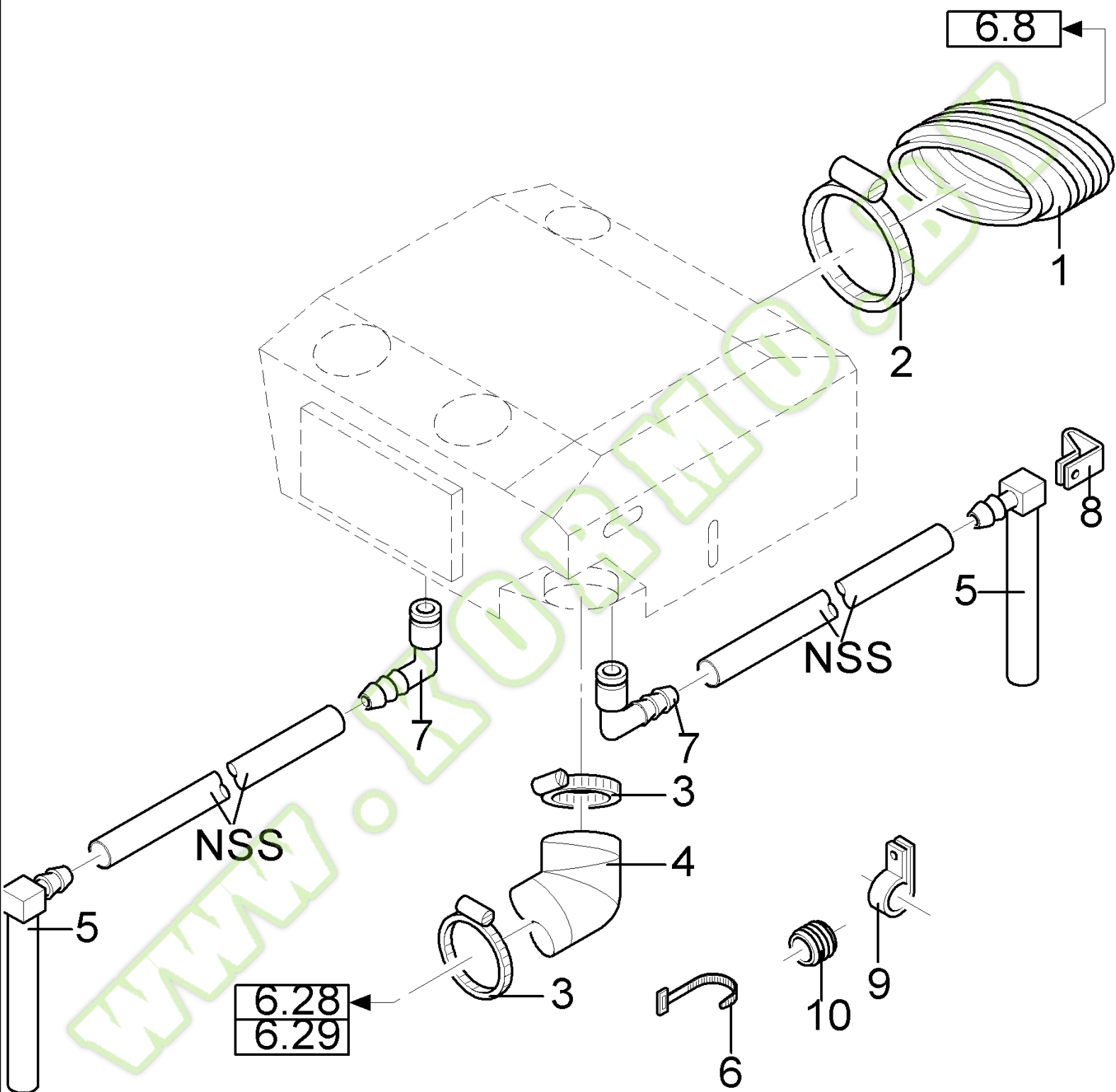


## FX375 NH SELF PROPELLED FORAGE HARVESTER - YELLOW VERSION

## 06.13(01) PIVOTING STEERING COLUMN

Ref	Part Number	Qty	Description
1	84014875	1	STEERING COLUMN,
2	84014907	1	GAS STRUT,
3	322358	2	WASHER, LOCK, {PP:80322358} Belleville, M8,
4	100015	2	NUT, {PP:80100015} M8, CI 8, M8
5	84014913	1	BEARING ASSY,
6	84014878	1	BUSHING,
7	370004	1	CIRCLIP, {PP:80370004}
8	84014879	1	GUIDE,
9	412669	1	BEARING ASSY, {PP:80412669}
10	80300645	1	CIRCLIP,
11	370024	1	RING, SNAP, {PP:80370024}
12	100067	1	NUT, {PP:80100067} M8 x 1.25", CI 8, M8
13	412479	1	SCREW, {PP:80412479} Hex, M8 x 35, 8.8, M8X35
14	84014908	1	JOINT, UNIVERSAL,

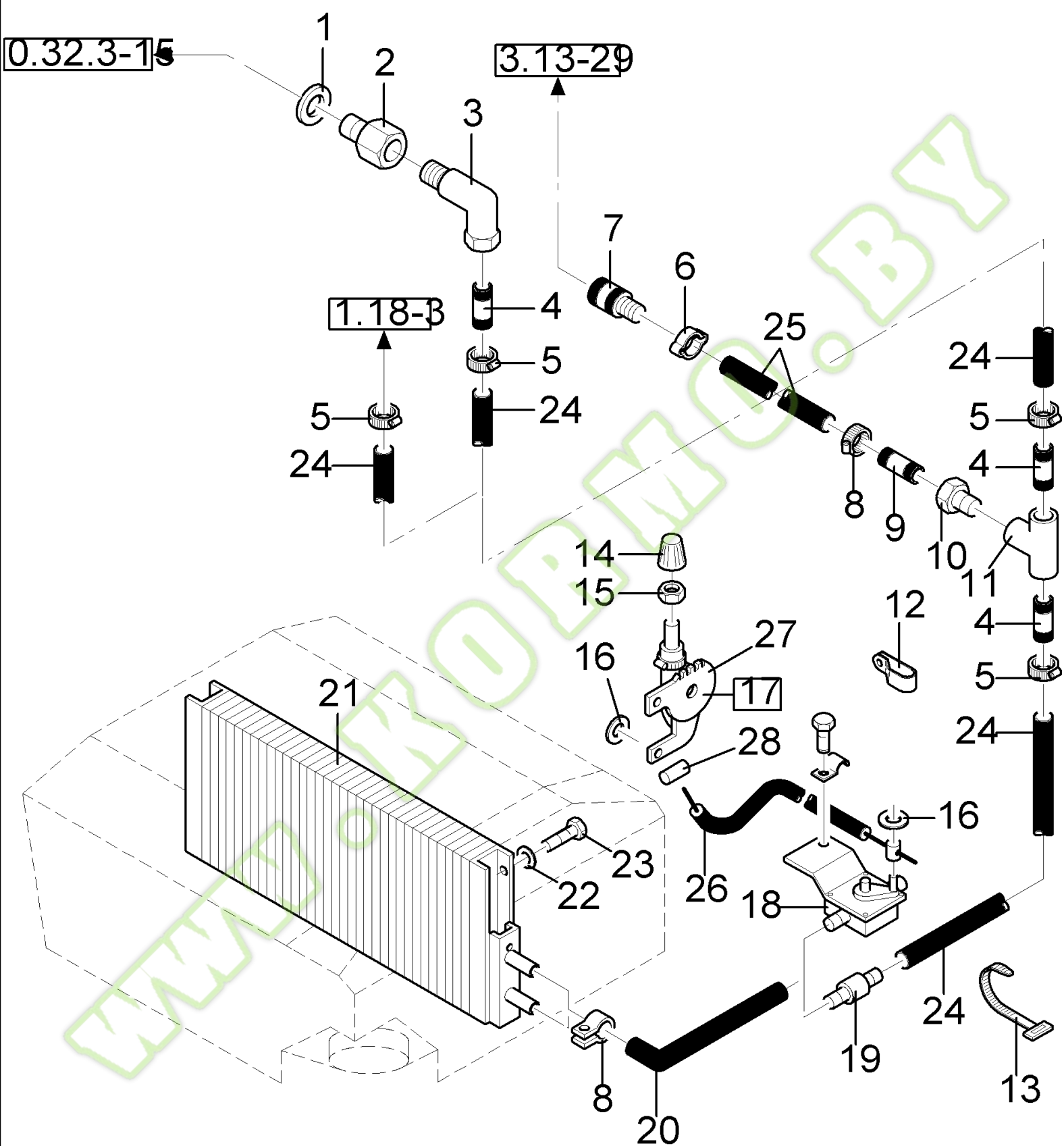
WWW.KORMO.BY



## 06.14(01) AIR CONDITIONER

Ref	Part Number	Qty	Description
1	9819551	1	HOSE, {PP:89819551}
2	84011664	2	CLAMP,
3	381144	2	CLAMP, {PP:80381144}
4	84022861	1	HOSE, , -C0432
4	84039258	1	HOSE, , D3300-
5	9833900	2	TUBE, {PP:89833900}
7	9850816	2	ELBOW, {PP:89850816}
8	9513271	AR	CLAMP, {PP:89513271}
9	711051	AR	CLAMP, {PP:80711051}
10	102043	2	GROMMET, {PP:80102043}
6	323597	AR	STRAP, {PP:80323597}

WWW.KORMO.BY



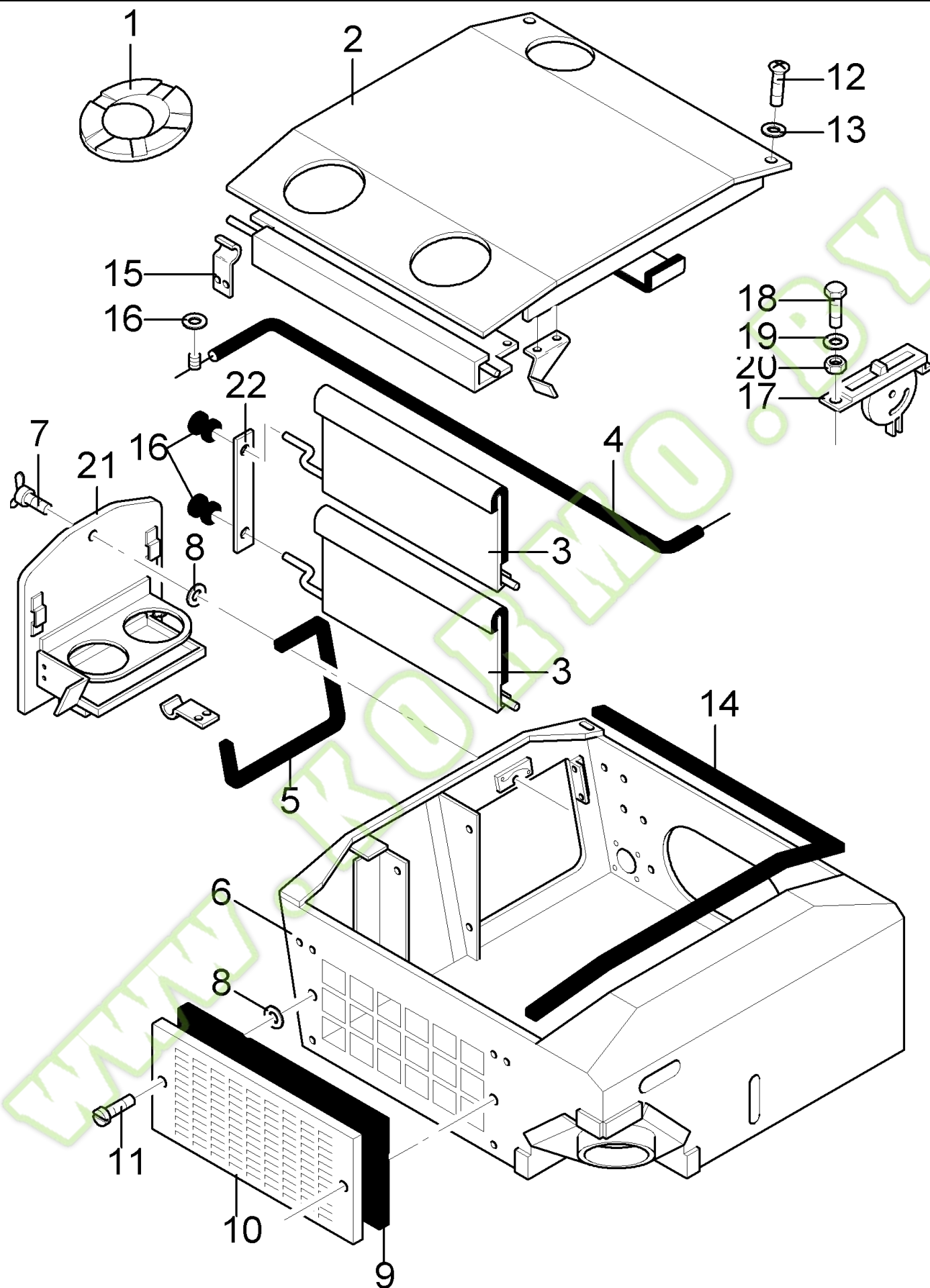
## FX375 NH SELF PROPELLED FORAGE HARVESTER - YELLOW VERSION

06.15(01) HEATING

Ref	Part Number	Qty	Description
1	220104	1	RING, {PP:80220104}
2	80433257	1	CONNECTOR, HYD.,
3	103198	1	ELBOW, {PP:80103198}
4	84021074	1	TUBE,
5	326028	2	CLAMP, {PP:80326028}
6	84038324	2	CLAMP,
7	84017826	2	CONNECTOR, HYD.,
8	58948	3	CLAMP, {PP:80058948}
9	84021075	2	TUBE,
10	511955	2	REDUCER, {PP:80511955}
11	263155	2	CONNECTOR, HYD., {PP:80263155}
12	9513271	6	CLAMP, {PP:89513271}
14	9850811	1	KNOB, {PP:89850811}
15	84000368	1	NUT, 7/16"-20, G2, 7/16"
16	398561	1	CLIP, {PP:80398561}
17	9837974	1	CABLE, {PP:89837974} (16,26 TO 28)
18	9832336	1	VALVE, {PP:89832336}
19	E8NN8594BA	1	CONNECTOR, HYD., {PP:83963682}
20	9835205	2	ELBOW, {PP:89835205}
21	84039021	1	RADIATOR, , D1000-
21	9850812	1	RADIATOR, {PP:89850812} , -C0409
22	322358	3	WASHER, LOCK, {PP:80322358} Belleville, M8,
23	80300806	3	SCREW, M5X10
24	84043020	AR	HOSE, L=4700MM
25	84018328	2	HOSE, L=1100MM
26	84058994	1	CABLE,
27	84058995	1	CONTROL,
28	84058996	1	SPIDER,
13	323597	AR	STRAP, {PP:80323597}



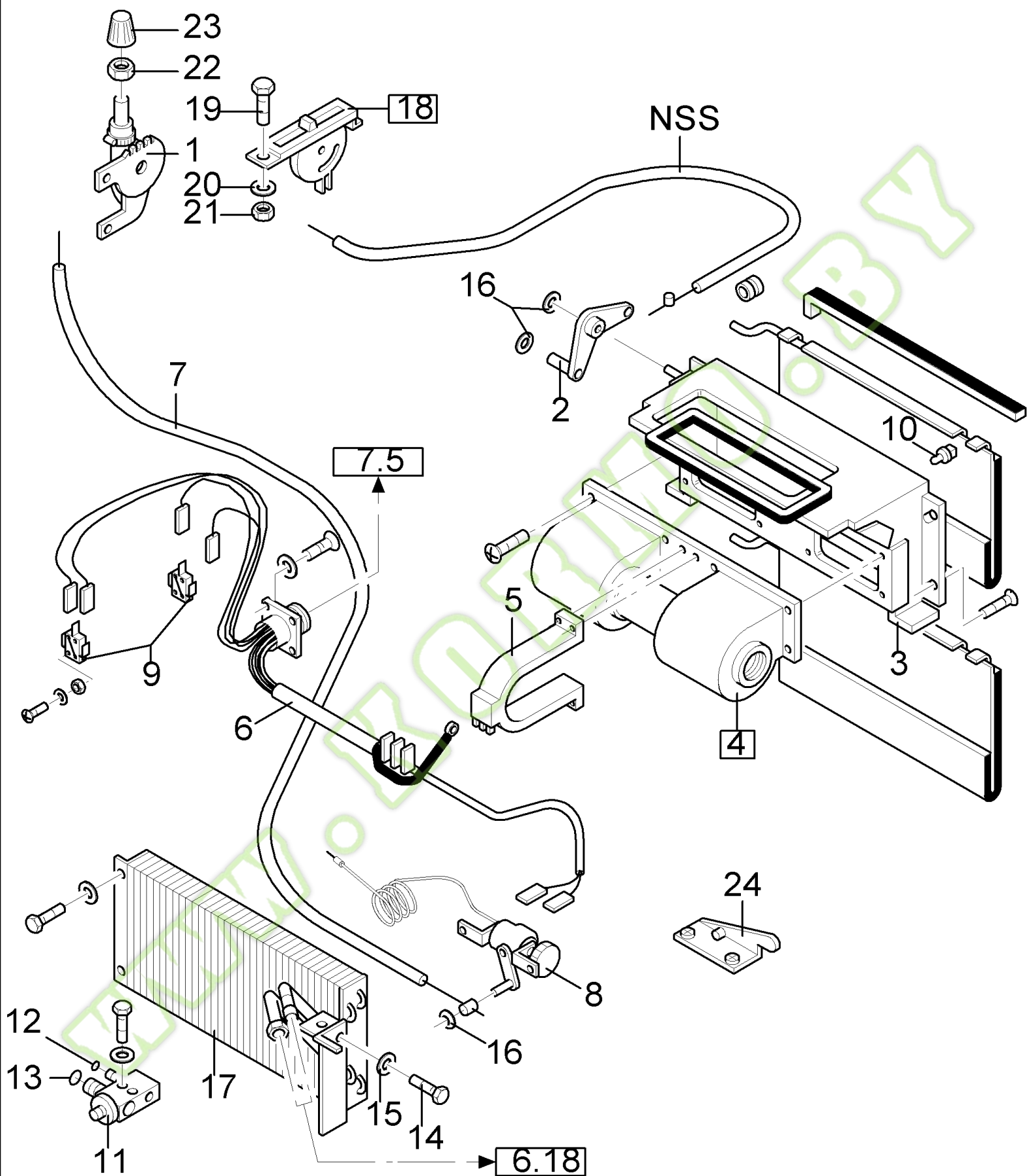
06.16(01) AIR CONDITIONER



## FX375 NH SELF PROPELLED FORAGE HARVESTER - YELLOW VERSION

## 06.16(01) AIR CONDITIONER

Ref	Part Number	Qty	Description
1	84015380	3	PIPE, VENTILATION,
2	84015373	1	COVER, , -C0409
2	84043996	1	COVER, , D1000-
3	84015374	1	COVER, , -C0409
3	84043997	1	COVER, UPPER, D1000-
3	84043998	1	COVER, LOWER, D1000-
4	84015385	1	CABLE,
5	84015382	1	ELEMENT, SEALING,
6	84015371	1	ENVELOPE, , -C0408
6	84032084	1	ENVELOPE, , -C0909
6	84043995	1	ENVELOPE, , D1000-
7	84015391	1	SCREW,
8	84015390	3	RING, LOCKING,
9	84021840	1	FILTER, ELEMENT, , -C0409
9	84045002	1	FILTER, ELEMENT, , D1000-
10	84021839	1	GRILLE, , -C0409
10	84043999	1	GRILLE, , D1000-
11	84015389	2	SCREW, , D1000-
11	84023290	2	SCREW, , -C0409
12	62320	2	SCREW, {PP:80062320} M10X25
13	378244	2	WASHER, LOCK, {PP:80378244} 10MM
14	84015383	1	ELEMENT, SEALING, , -C0409
14	84045003	1	ELEMENT, SEALING, , D1000-
15	84015376	2	BRACKET,
16	426735	1	RING, LOCKING, {PP:80426735}
17	9833562	1	CONTROL, {PP:89833562}
18	412475	1	SCREW, {PP:80412475} M4X16
19	322355	1	WASHER, LOCK, {PP:80322355} Belleville, M4, 4MM
20	100012	1	NUT, {PP:80100012} M4, CI 8, M4
21	84032082	1	DOOR, , -C0408
21	84032083	1	DOOR, , D0900-
22	84045001	1	PLATE, COVER, , D1000-
23	84068438	1	PLATE, , -C0409
23	84068439	1	PLATE, , D1000-



ALL PARTS WITHOUT NO. ARE NOT AVAILABLE

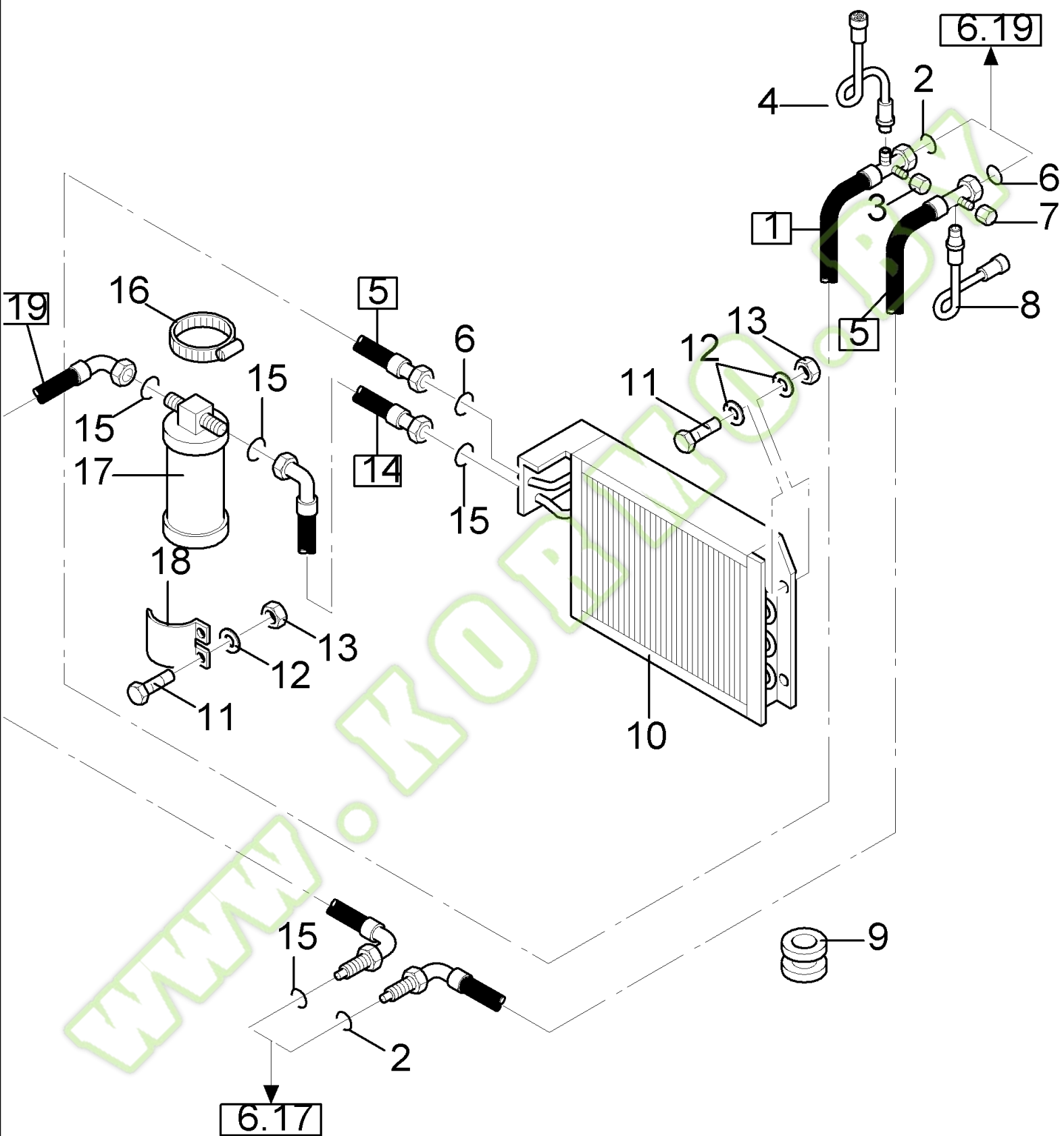
## FX375 NH SELF PROPELLED FORAGE HARVESTER - YELLOW VERSION

## 06.17(01) AIR CONDITIONER

Ref	Part Number	Qty	Description
1	84015393	1	CONTROL,
2	84015375	1	LEVER,
3	84015372	1	ENVELOPE, , -C0409
3	84045745	1	ENVELOPE, , D1000-
4	84045746	1	BLOWER, , D1000-
4	9512492	1	BLOWER, {PP:89512492} (5), -C0409
5	84015395	1	RESISTOR, , -C0409
5	84045748	1	RESISTOR, , D1000-
6	84015378	1	HARNESS, WIRE, , -C0409
6	84045747	1	HARNESS, WIRE, , D1000-
7	84015394	1	CABLE,
8	84037990	1	THERMOSTAT,
9	84015384	2	SWITCH, ASSY,
10	84015388	2	CLIP,
11	84015397	1	VALVE, HYDRAULIC,
12	84817009	1	O-RING,
13	84015398	1	O-RING,
14	80120102	2	SCREW, M6X40
15	140015	2	WASHER, {PP:80140015} 6MM
16	426735	3	RING, LOCKING, {PP:80426735}
17	84019381	1	EVAPORATOR, , -C0409
17	84045396	1	EVAPORATOR, , D1000-
18	9833562	1	CONTROL, {PP:89833562} (NSS)
19	412475	1	SCREW, {PP:80412475} M4X16
20	322355	1	WASHER, LOCK, {PP:80322355} Belleville, M4, 4MM
21	100012	1	NUT, {PP:80100012} M4, Cl 8, M4
22	84000368	1	NUT, 7/16"-20, G2, 7/16"
23	9832337	1	KNOB, {PP:89832337}
24	84042749	1	BRACKET,

ALL PARTS WITHOUT NO. ARE NOT AVAILABLE

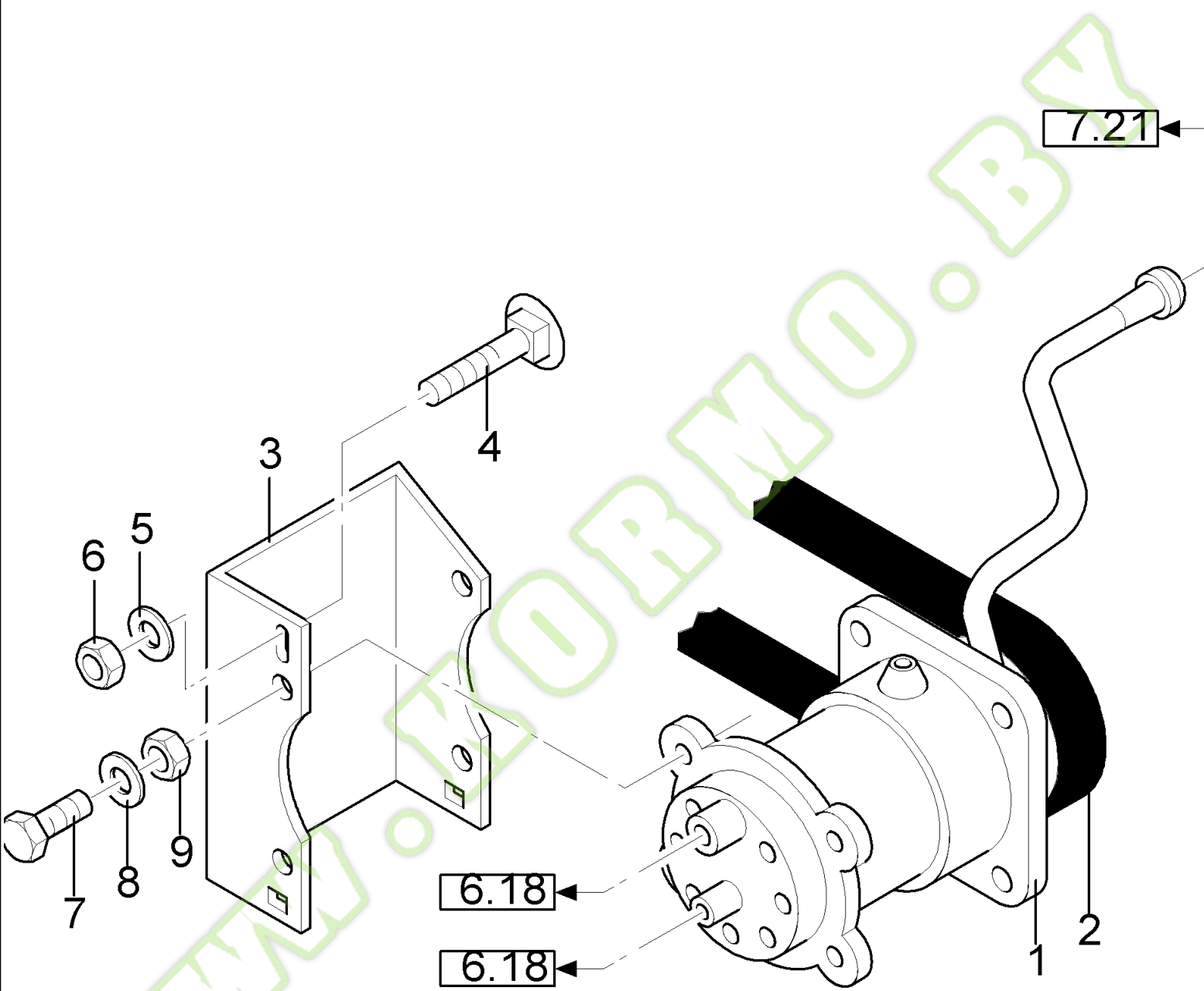




## FX375 NH SELF PROPELLED FORAGE HARVESTER - YELLOW VERSION

## 06.18(01) AIR CONDITIONER

Ref	Part Number	Qty	Description
1	89850871	1	HOSE, FLEXIBLE, (2,3)
2	89827059	2	O-RING,
3	9843388	1	DUST CAP, {PP:89843388}
4	84012146	1	SWITCH, PRESSURE, (LOW)
5	89850874	1	HOSE, FLEXIBLE, (6,7)
6	9827058	2	O-RING, {PP:89827058} .426" ID x .070" Thk
7	9843389	1	DUST CAP, {PP:89843389}
8	84012145	1	SWITCH, PRESSURE, (HIGH)
9	102043	4	GROMMET, {PP:80102043}
10	84007881	1	CONDENSER,
12	140045	7	WASHER, LOCK, {PP:80140045} Belleville, M10, 10MM
13	100016	5	NUT, {PP:80100016} M10, CI 8, M10
14	89850873	1	HOSE, FLEXIBLE, (15)
15	9827060	4	O-RING, {PP:89827060}
16	381144	1	CLAMP, {PP:80381144}
17	84031407	1	RECEIVER-DRYER, , FOR SCANDINAVIE ONLY
17	9832539	1	RECEIVER-DRYER, {PP:89832539}
18	9819763	1	SUPPORT, {PP:89819763}
19	89850872	1	HOSE, FLEXIBLE, (15)
11	120109	6	SCREW, {PP:80120109} Hex, M10 x 20, 8.8, Full Thd, M10X20



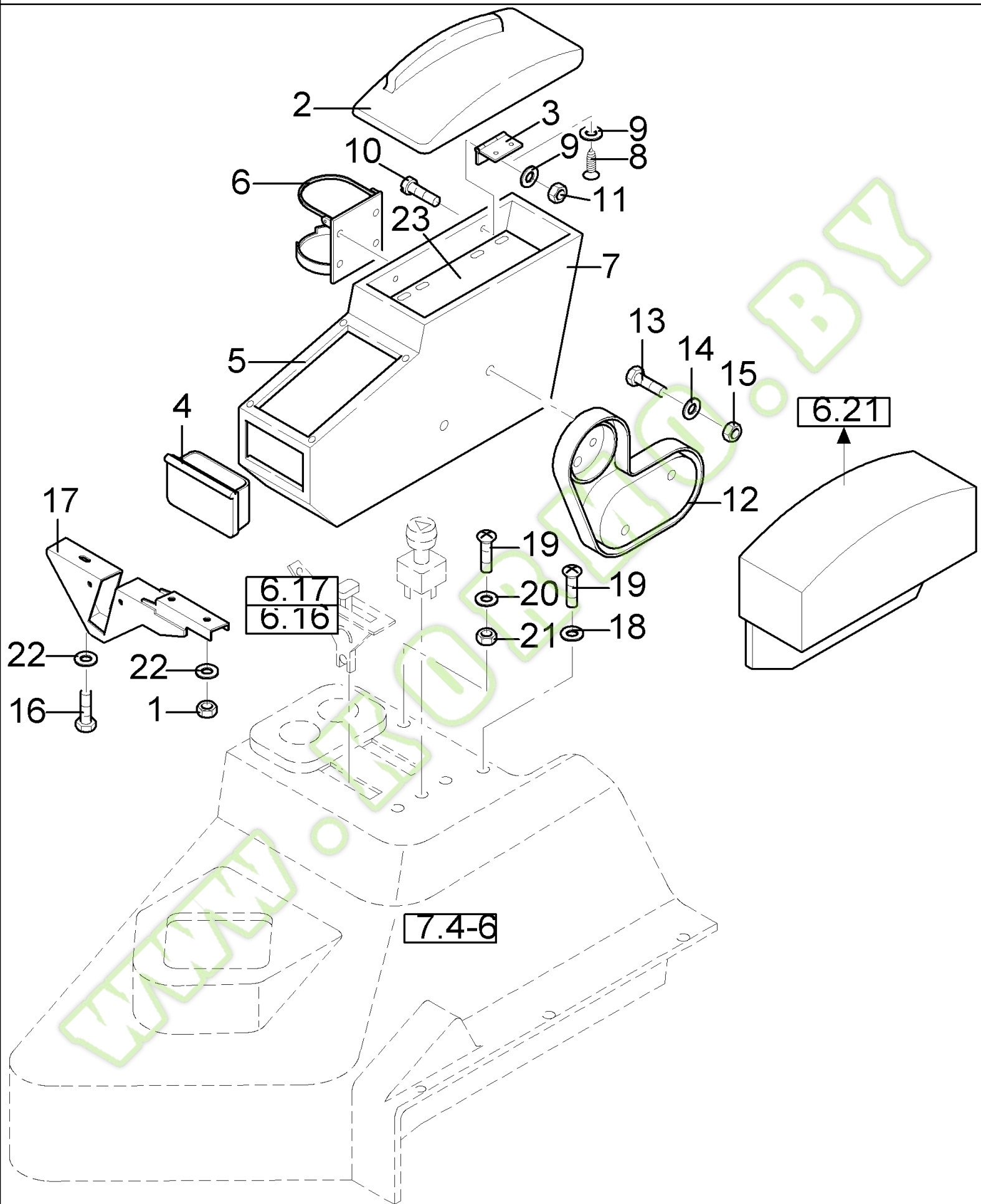
## FX375 NH SELF PROPELLED FORAGE HARVESTER - YELLOW VERSION

## 06.19(01) AIR CONDITIONER

Ref	Part Number	Qty	Description
1	84018078	1	COMPRESSOR, AIR,
2	747177	1	BELT, TRANSMISSION, {PP:80747177} , -C0405
2	89835815	1	BELT, TRANSMISSION, , D0600-
3	84014767	1	SUPPORT,
4	120044	3	BOLT, {PP:80120044} Short NK, M12 x 30, CI8.8, Full Thd, M12X30
5	394630	3	WASHER, {PP:80394630} 12MM
6	337475	3	NUT, {PP:80337475} M12, CI 10, M12
8	140045	4	WASHER, LOCK, {PP:80140045} Belleville, M10, 10MM
9	100016	4	NUT, {PP:80100016} M10, CI 8, M10
7	43140	4	BOLT, {PP:80043140} Hex, M10 x 30, 8.8, M10X30

WWW.KORMO.BY

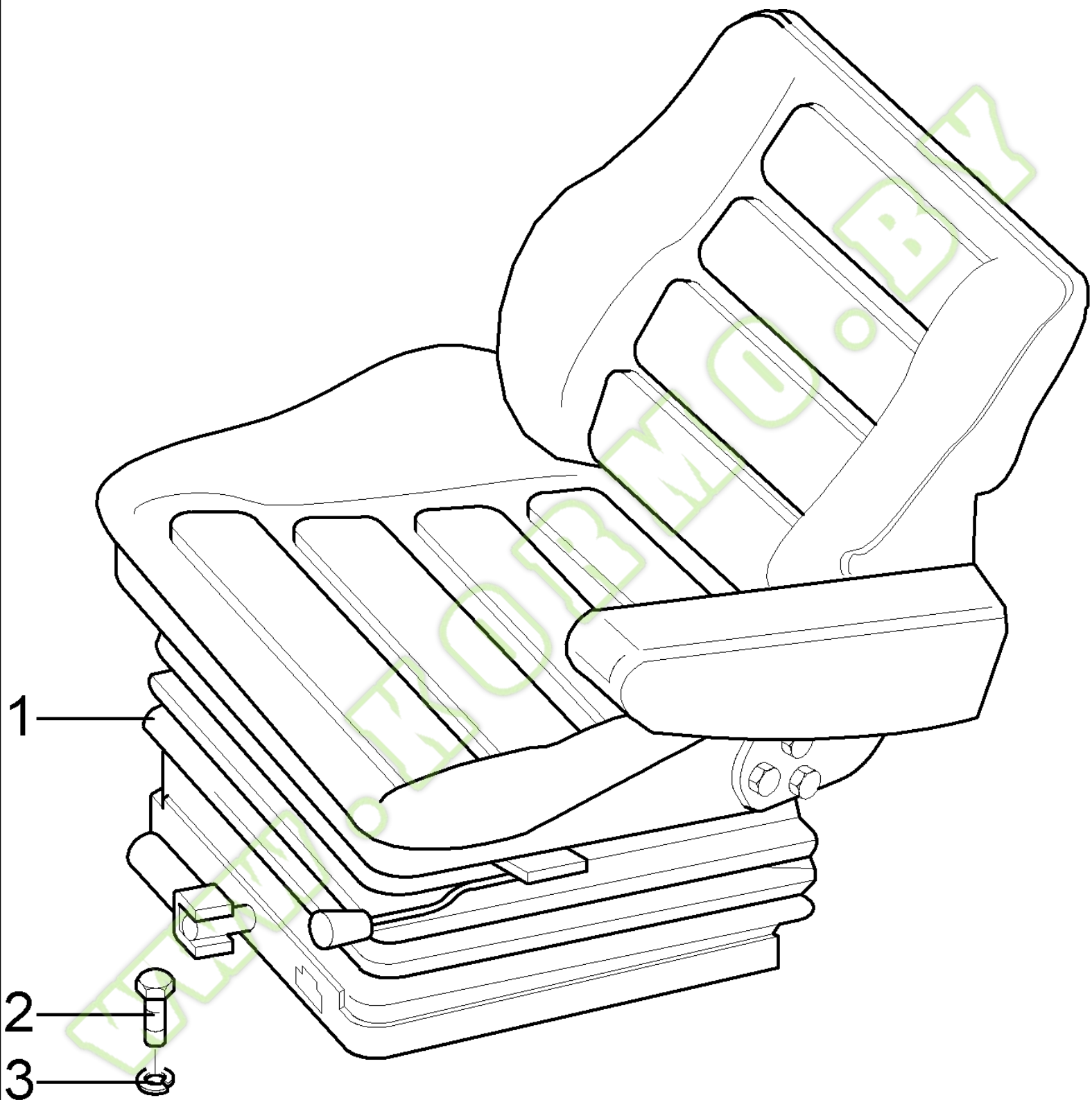




## FX375 NH SELF PROPELLED FORAGE HARVESTER - YELLOW VERSION

06.20(01) ARMREST, RH

Ref	Part Number	Qty	Description
1	100015	3	NUT, {PP:80100015} M8, CI 8, M8
2	9831167	1	ARMREST, {PP:89831167}
3	9831042	2	HINGE, {PP:89831042}
4	E7NN94048N05AA	1	ASH TRAY, {PP:83961822}
5	9831404	1	CASE, {PP:89831404}
6	9819041	1	CLAMP, {PP:89819041}
7	9831564	1	SOFT TRIM, {PP:89831564}
8	412684	4	SCREW, {PP:80412684}
9	322357	6	WASHER, LOCK, {PP:80322357} Belleville, M6, Belleville, M6
10	412491	2	SCREW, {PP:80412491} M6X16
11	9706755	2	NUT, {PP:89706755} M6, CI 8, M6
12	9831401	1	COVER, {PP:89831401}
14	140045	2	WASHER, LOCK, {PP:80140045} Belleville, M10,
15	100016	2	NUT, {PP:80100016} M10, CI 8, M10
17	9831402	1	SUPPORT, {PP:89831402}
18	448889	2	WASHER, {PP:80448889}
19	412475	4	SCREW, {PP:80412475} M4X16
20	322355	2	WASHER, LOCK, {PP:80322355} Belleville, M4,
21	100012	2	NUT, {PP:80100012} M4, CI 8, M4
22	322358	3	WASHER, LOCK, {PP:80322358} Belleville, M8,
23	84001403	1	PLATE,
13	120109	2	SCREW, {PP:80120109} Hex, M10 x 20, 8.8, Full Thd, M10X20
16	16043224	1	SCREW, Hex, M8 x 16, 8.8, Full Thd, M8X16

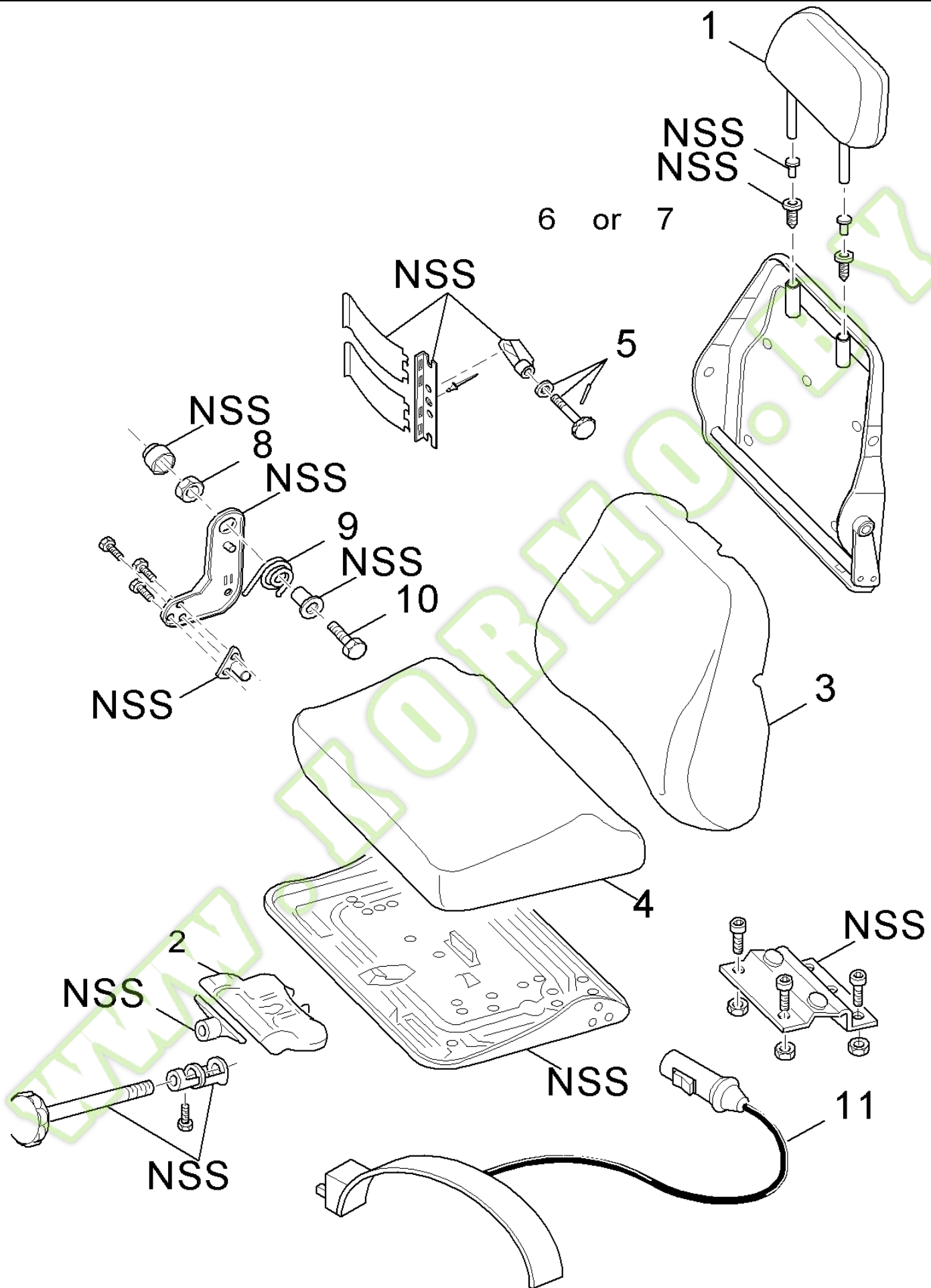


## FX375 NH SELF PROPELLED FORAGE HARVESTER - YELLOW VERSION

06.21(01) SEAT

Ref	Part Number	Qty	Description
1	84019911	1	SEAT, DRIVER, , INCL. GROUPS 6.22 TO 6.25
1	84019910	1	SEAT, DRIVER, INCL. GRPS 6.22, 6.23 AND 6.26, INCL. GROUPS 6.22, 6.23 AND 6.26
2	80120061	4	SCREW, M8X60
2	43127	4	BOLT, {PP:80043127} Hex, M8 x 25, 8.8, M8X25
3	322358	4	WASHER, LOCK, {PP:80322358} Belleville, M8, 8MM

WWW.KORMO.BY

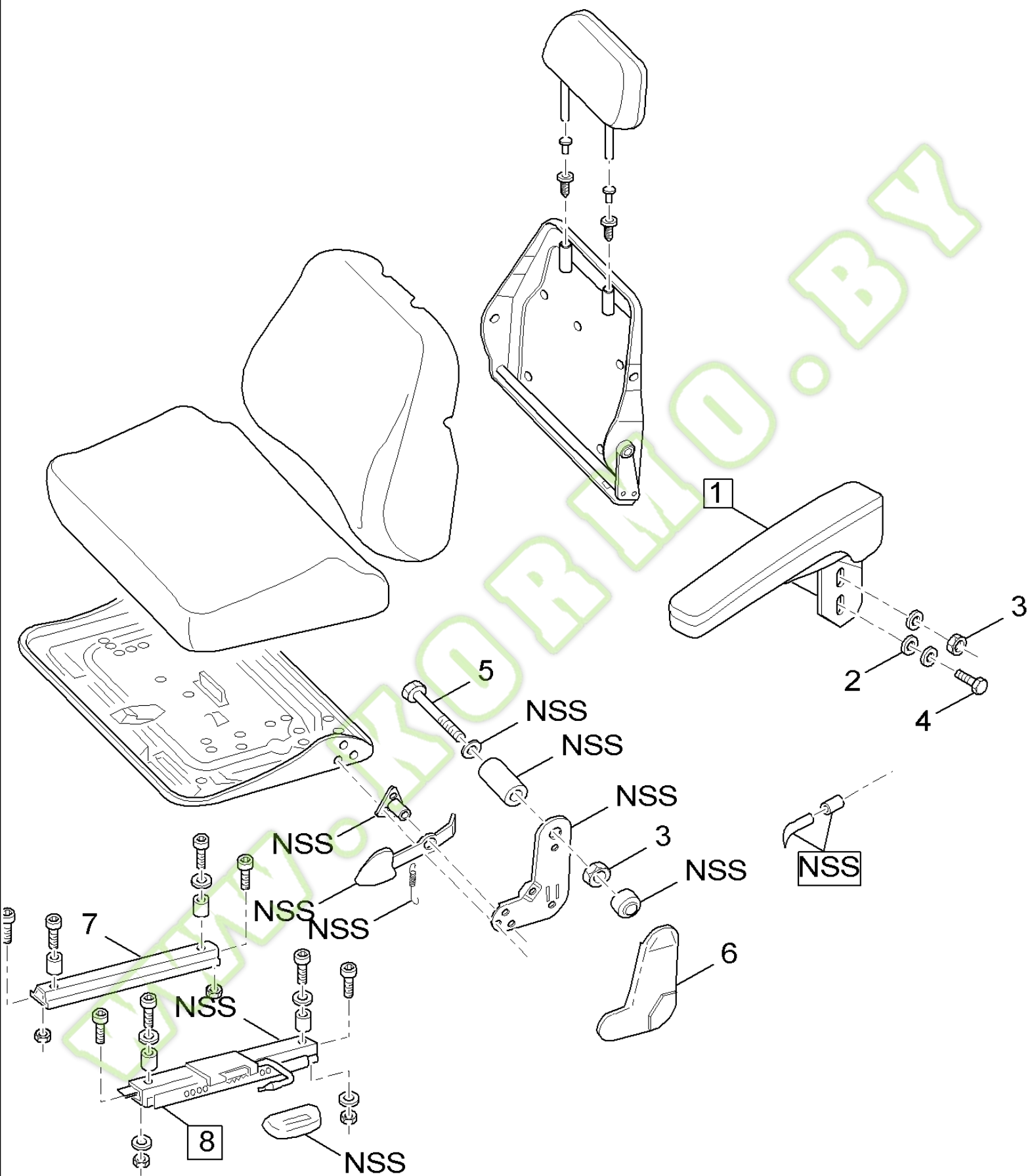


## FX375 NH SELF PROPELLED FORAGE HARVESTER - YELLOW VERSION

06.22(01) SEAT

Ref	Part Number	Qty	Description
1	84021181	1	HEADREST, SEAT, , AIR SUSPENDED SEAT
2	84021182	1	PAD, ADJUSTING,
3	84021184	1	CUSHION, SEAT, , AIR SUSPENDED SEAT
3	84026495	1	CUSHION, SEAT, , STANDARD SEAT
4	84026496	1	CUSHION, SEAT, , STANDARD SEAT
4	84026497	1	CUSHION, SEAT, , AIR SUSPENDED SEAT
5	84021188	1	SCREW,
6	84021187	1	SUPPORT, , STANDARD SEAT
7	84021189	1	SUPPORT, (6), AIR SUSPENDED SEAT
8	100067	1	NUT, {PP:80100067} M8 x 1.25", CI 8, M8
9	84021190	1	SPRING,
10	300381	1	SCREW, {PP:80300381} Hex, M8 x 35, 8.8, M8X35
11	84026499	1	SWITCH,

WWW.KORMO.BY



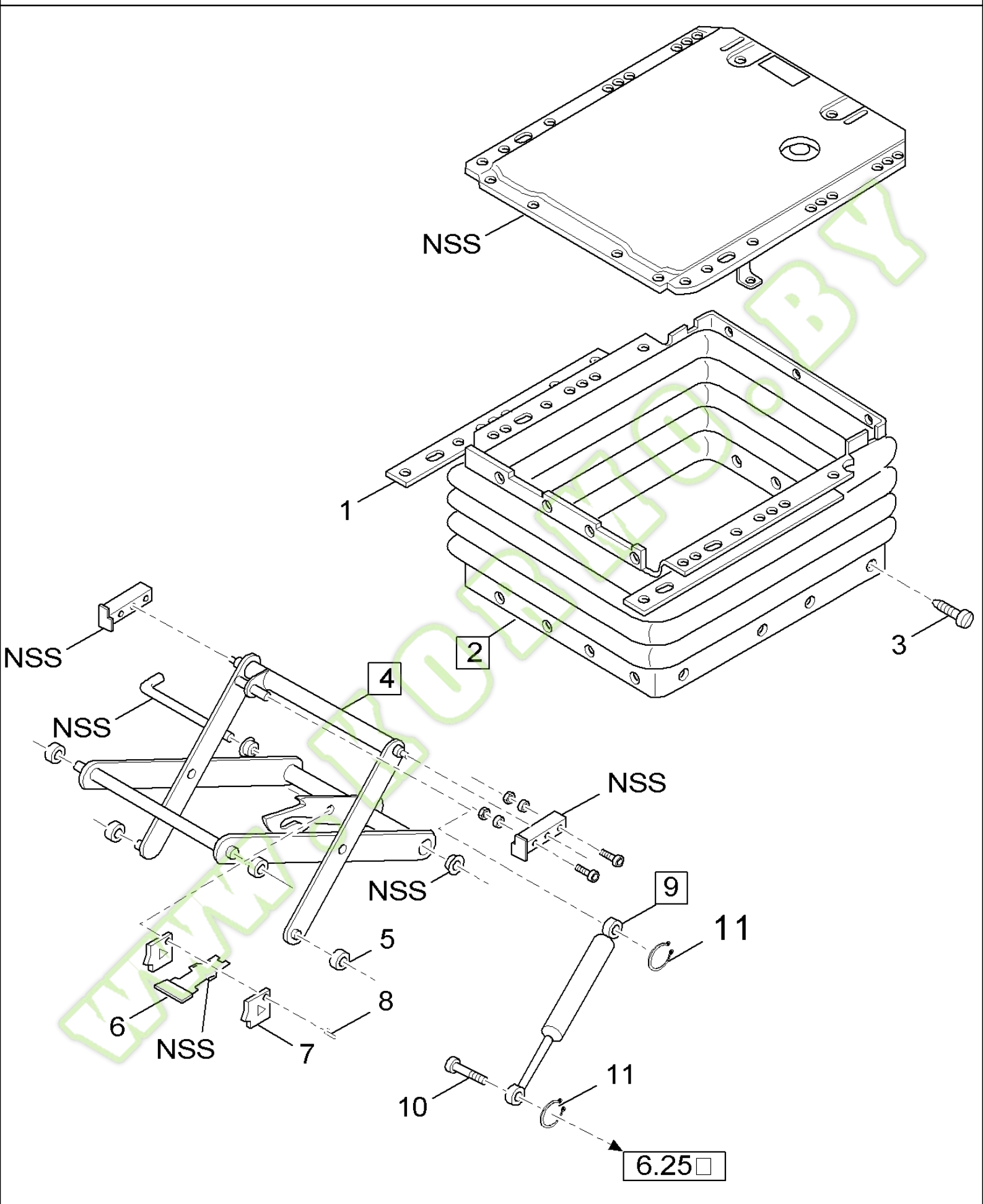
## FX375 NH SELF PROPELLED FORAGE HARVESTER - YELLOW VERSION

06.23(01) SEAT

Ref	Part Number	Qty	Description
1	84017114	1	ARMREST, (2 TO 4)
2	412228	3	WASHER, {PP:80412228}
3	100067	2	NUT, {PP:80100067} M8 x 1.25", CI 8, M8
5	300381	1	SCREW, {PP:80300381} Hex, M8 x 35, 8.8, M8X35
6	84005802	1	COVER,
7	84021191	1	PROFILE,
8	84021195	1	PROFILE,
4	16043224	1	SCREW, Hex, M8 x 16, 8.8, Full Thd, M8X16

WWW.KORMO.BY





FOR STANDARD SEAT ONLY



## FX375 NH SELF PROPELLED FORAGE HARVESTER - YELLOW VERSION

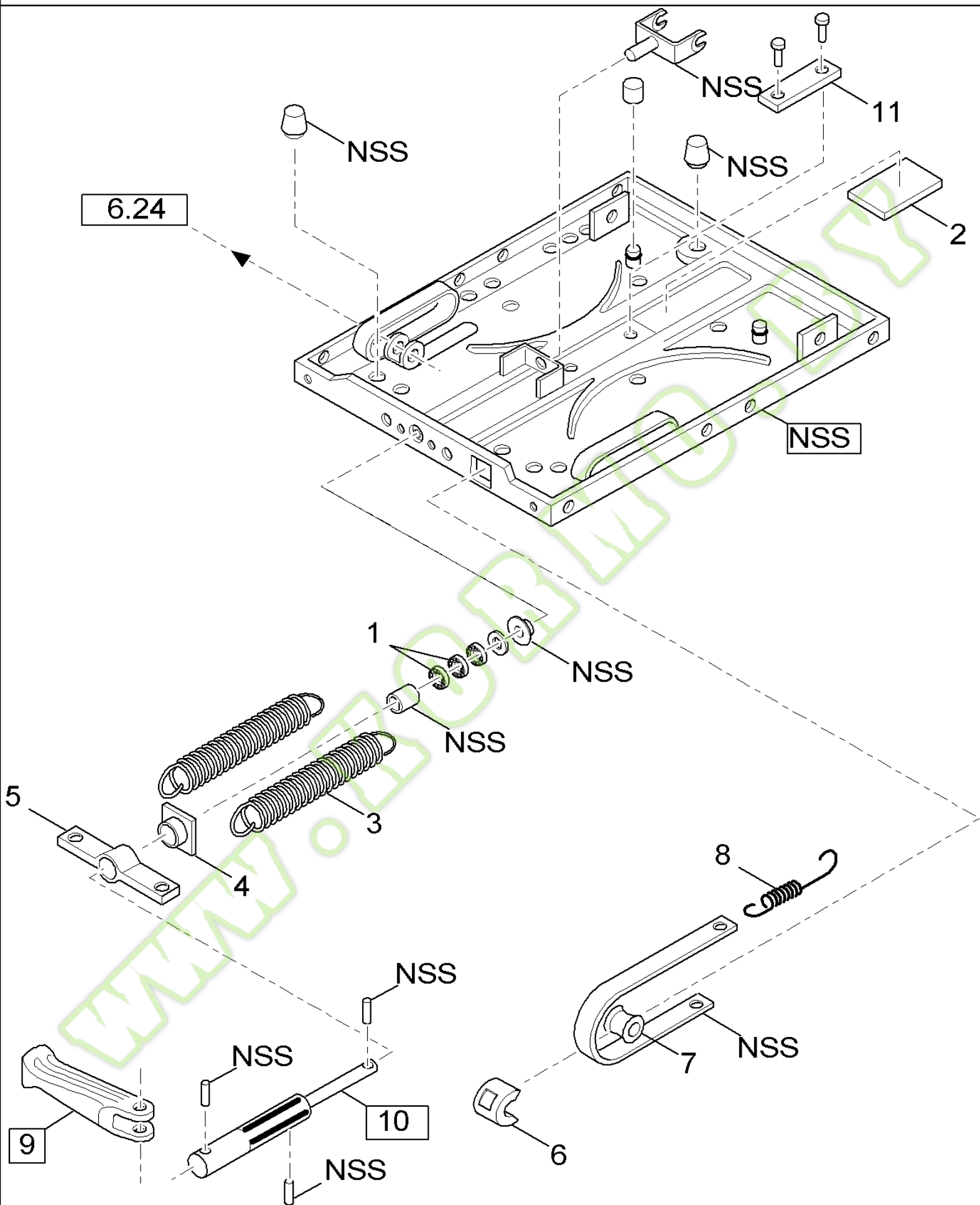
06.24(01) SEAT

Ref	Part Number	Qty	Description
1	446927	2	PLATE, {PP:80446927}
2	84021192	1	BELLOWS, (1,3)
3	446914	22	PLUG, {PP:80446914}
4	84021193	1	ADJUSTER, (5 TO 8)
5	446921	4	ROLLER, {PP:80446921}
6	446924	1	PLATE, {PP:80446924}
7	446922	2	PLATE, {PP:80446922}
8	446925	1	SHAFT, {PP:80446925}
9	84021196	4	DAMPER, (10,11)
10	412515	1	BOLT, {PP:80412515}
11	412516	2	CIRCLIP, {PP:80412516}

WWW.KORMO.BY

FOR STANDARD SEAT ONLY





FOR STANDARD SEAT ONLY

FX375 NH SELF PROPELLED FORAGE HARVESTER - YELLOW VERSION

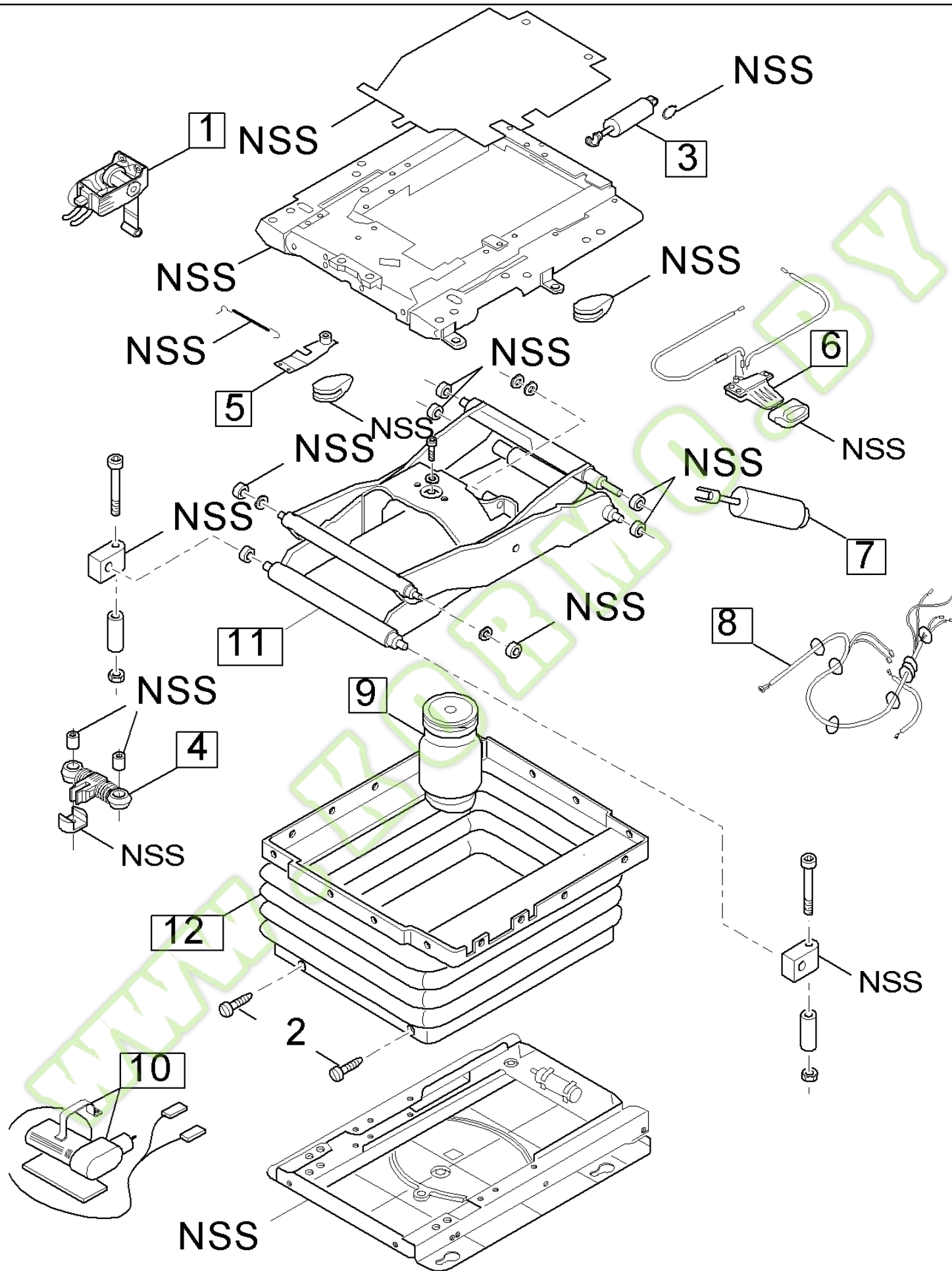
06.25(01) SEAT

Ref	Part Number	Qty	Description
1	446943	1	BEARING ASSY, {PP:80446943}
2	446932	1	PLATE, {PP:80446932}
3	84021197	2	SPRING,
4	412520	1	COLLAR, {PP:80412520}
5	446942	1	BRACKET, {PP:80446942}
6	446935	1	CAP, {PP:80446935}
7	446936	1	ROLLER, {PP:80446936}
8	446937	1	SPRING, {PP:80446937}
9	84021198	1	HANDLE,
10	84021199	1	SCREW, (9)
11	446931	1	PLATE, {PP:80446931}

WWW.KORMO.BY

FOR STANDARD SEAT ONLY





## FX375 NH SELF PROPELLED FORAGE HARVESTER - YELLOW VERSION

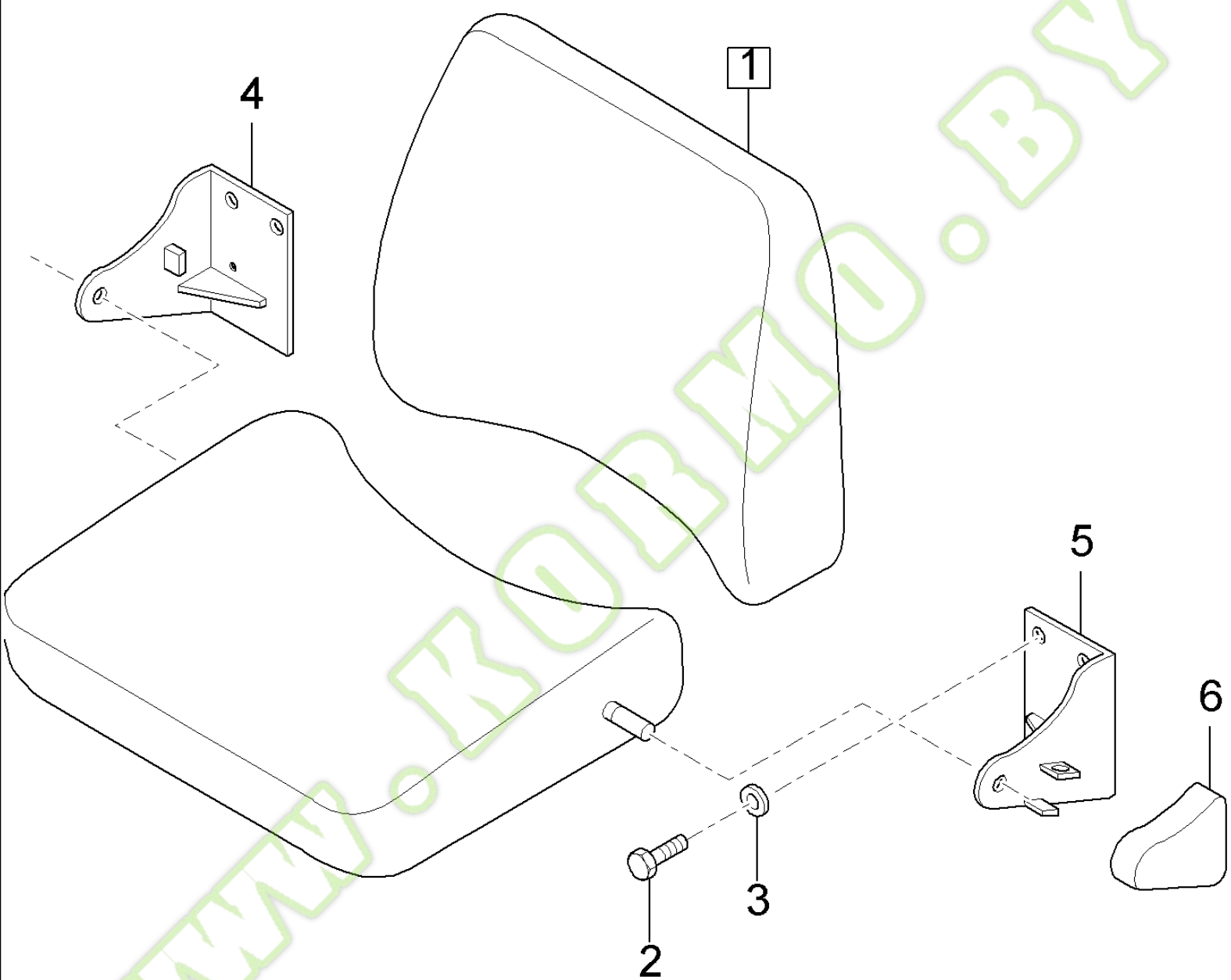
06.26(01) SEAT

Ref	Part Number	Qty	Description
1	84021200	1	ADJUSTER,
2	446914	24	PLUG, {PP:80446914}
3	84021202	1	DAMPER, (2)
4	84021203	1	PLATE, (2)
5	84021204	1	PLATE,
6	84021205	1	ADJUSTER, (2)
7	84026498	1	DAMPER, (2)
8	84021208	1	CABLE,
9	84021209	1	COMPRESSOR, SPRING, (2)
10	84021210	1	COMPRESSOR, AIR, (2)
11	84021211	1	ADAPTER, (2)
12	84021212	1	BELLOWS, (2)

WWW.KORMO.BY

FOR AIR SUSPENDED SEAT ONLY





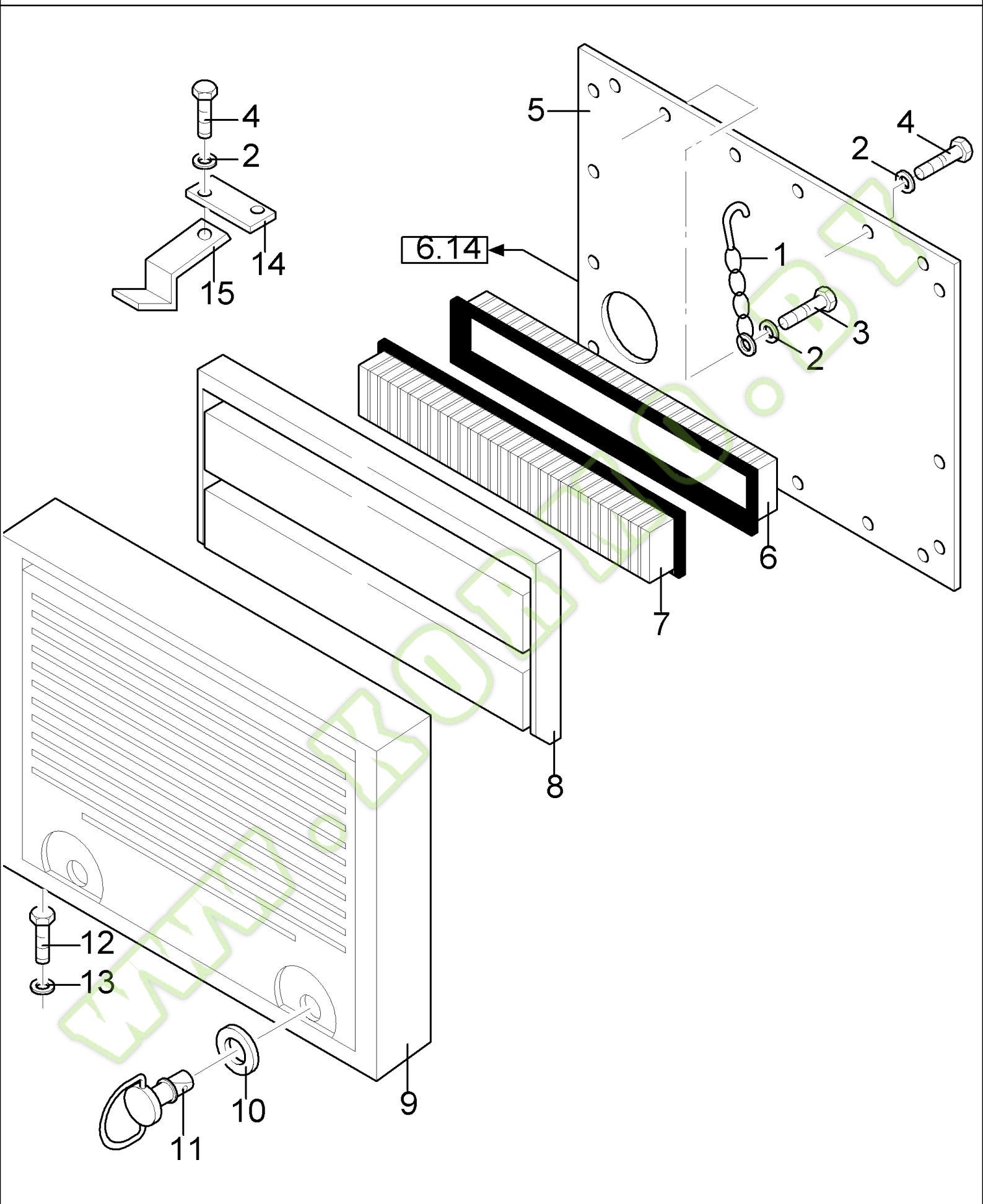
## FX375 NH SELF PROPELLED FORAGE HARVESTER - YELLOW VERSION

## 06.27(01) BUDDY SEAT

Ref	Part Number	Qty	Description
1	84015303	1	SEAT, PASSENGER,
2	43127	4	BOLT, {PP:80043127} Hex, M8 x 25, 8.8, M8X25
3	322358	4	WASHER, LOCK, {PP:80322358} Belleville, M8, 8MM
4	84037866	1	PLATE, RH
5	84037867	1	PLATE, LH
6	84037868	1	COVER,

WWW.KORMO.BY





ONLY VALID UNTIL SERIAL NO. --32999

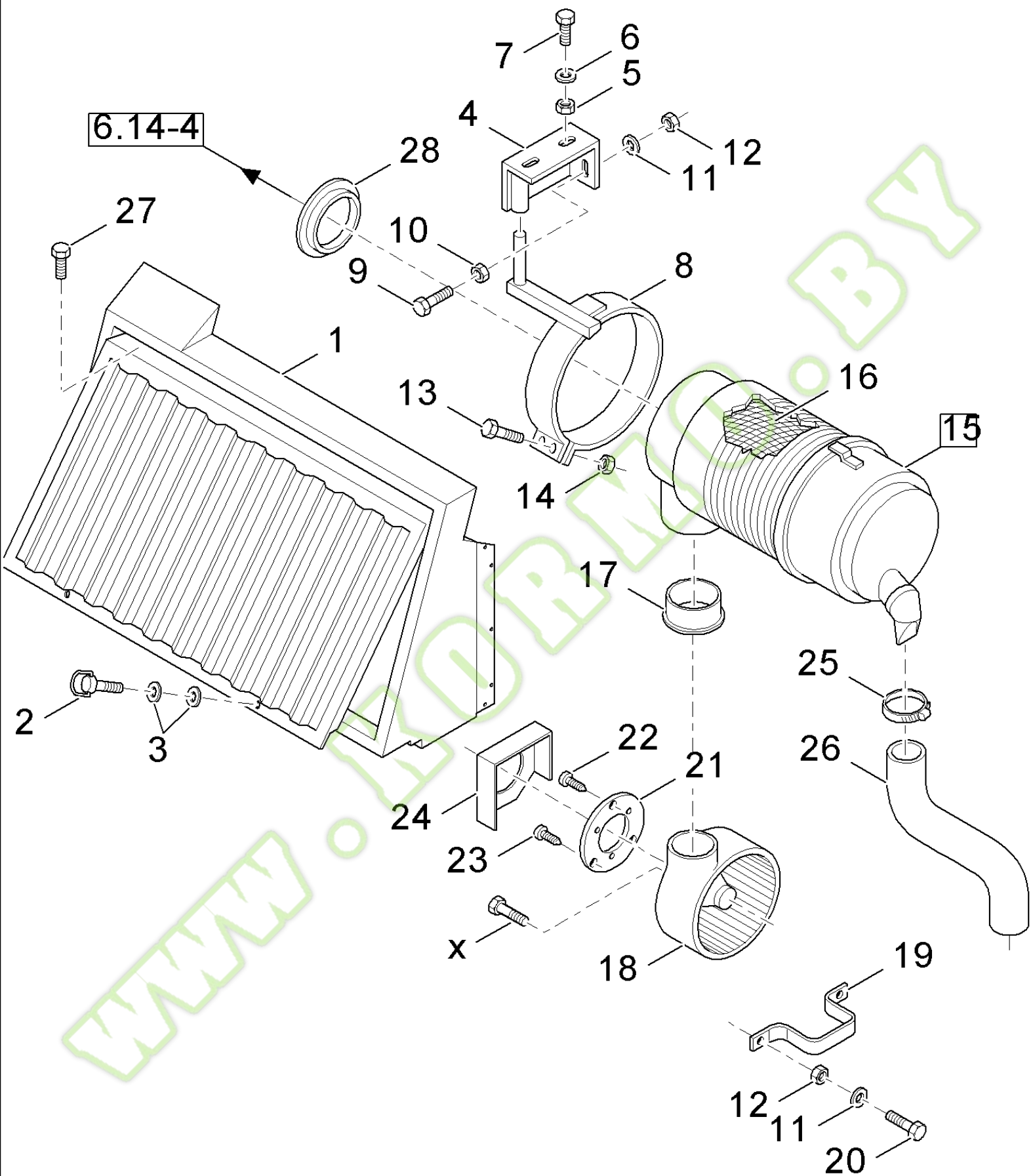
## FX375 NH SELF PROPELLED FORAGE HARVESTER - YELLOW VERSION

06.28(01) FILTER

Ref	Part Number	Qty	Description
1	84032531	1	CHAIN,
2	322357	19	WASHER, LOCK, {PP:80322357} Belleville, M6, Belleville, M6
3	120101	1	SCREW, {PP:80120101} Hex, M6 x 30, 8.8, Full Thd, M6X30
4	120100	23	BOLT, {PP:80120100} Hex, M6 x 20, 8.8, M6X20
5	84015261	1	PLATE, COVER,
6	80922215	2	FILTER, ELEMENT,
7	922214	2	FILTER, {PP:80922214}
8	84002843	1	GRILLE,
9	84015268	1	PANEL, BOXED,
10	84000656	4	RING,
11	89819681	2	TAB, LOCKING,
12	80120104	2	SCREW, M8X20
13	322358	2	WASHER, LOCK, {PP:80322358} Belleville, M8, 8MM
14	84019399	2	BRACKET, , -C0408
15	84019188	1	CLIP, RH, -C0408
15	84019189	1	CLIP, LH, -C0408

ONLY VALID UNTIL SERIAL NO. --32999





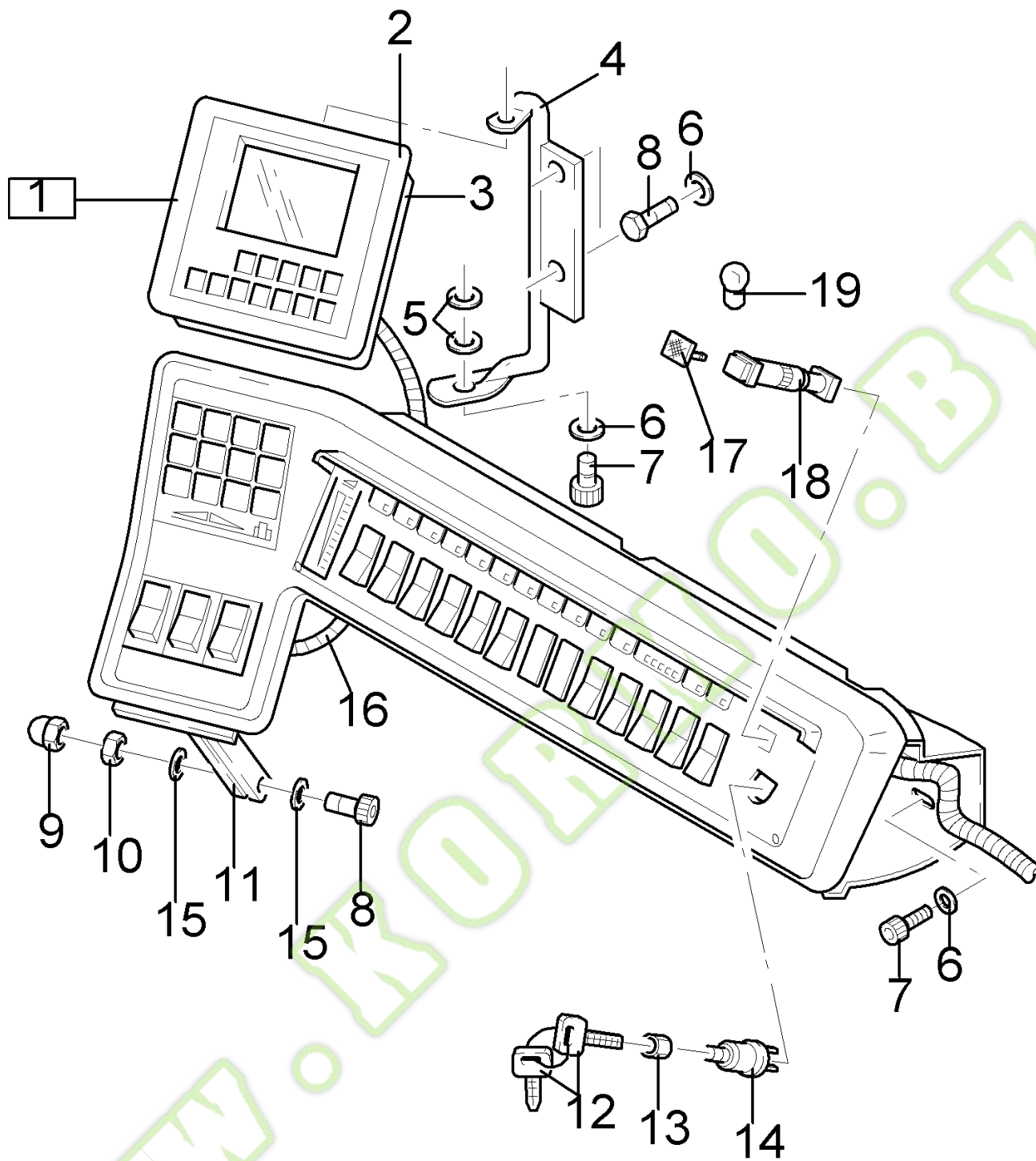
## FX375 NH SELF PROPELLED FORAGE HARVESTER - YELLOW VERSION

## 06.29(01) FILTER

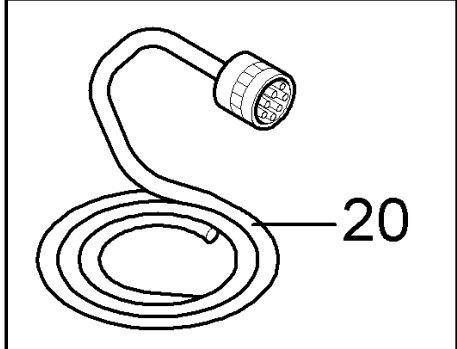
Ref	Part Number	Qty	Description
1	84039262	1	PANEL, BOXED,
2	89819681	2	TAB, LOCKING,
3	84000656	4	RING,
4	84002840	1	SUPPORT,
5	100015	2	NUT, {PP:80100015} M8, CI 8, M8
6	322358	2	WASHER, LOCK, {PP:80322358} Belleville, M8, 8MM
7	120037	2	BOLT, {PP:80120037} Short NK, M8 x 20, CI8.8, Full Thd, M8X20
8	84002841	1	SUPPORT,
9	120015	1	SCREW, {PP:80120015} Cross Pan Hd, M6 x 25, M6X25
10	84035664	1	CLIP,
11	322357	3	WASHER, LOCK, {PP:80322357} Belleville, M6, Belleville, M6
12	9706755	3	NUT, {PP:89706755} M6, CI 8, M6
13	43128	2	SCREW, {PP:80043128} Hex, M8 x 30, 8.8, Cap, HH, CL 8.8, M8 x 1.25 x 30
14	100067	2	NUT, {PP:80100067} M8 x 1.25", CI 8, M8
15	84036675	1	FILTER, (16)
16	84036676	1	FILTER, ELEMENT,
17	84002842	1	RING,
18	84056300	1	BLOWER,
19	84045782	1	CLAMP,
20	80120099	2	SCREW, Hex, M6 x 16, 8.8, M6X16
21	84043303	1	RING,
22	84043238	4	SCREW,
23	84043237	3	SCREW,
24	84002837	1	SUPPORT,
25	360747	1	CLAMP, {PP:80360747}
26	84039471	1	HOSE,
27	331233	2	PLUG, {PP:80331233}
28	84045349	1	PLUG,

ONLY VALID FROM SERIAL NO. --33001





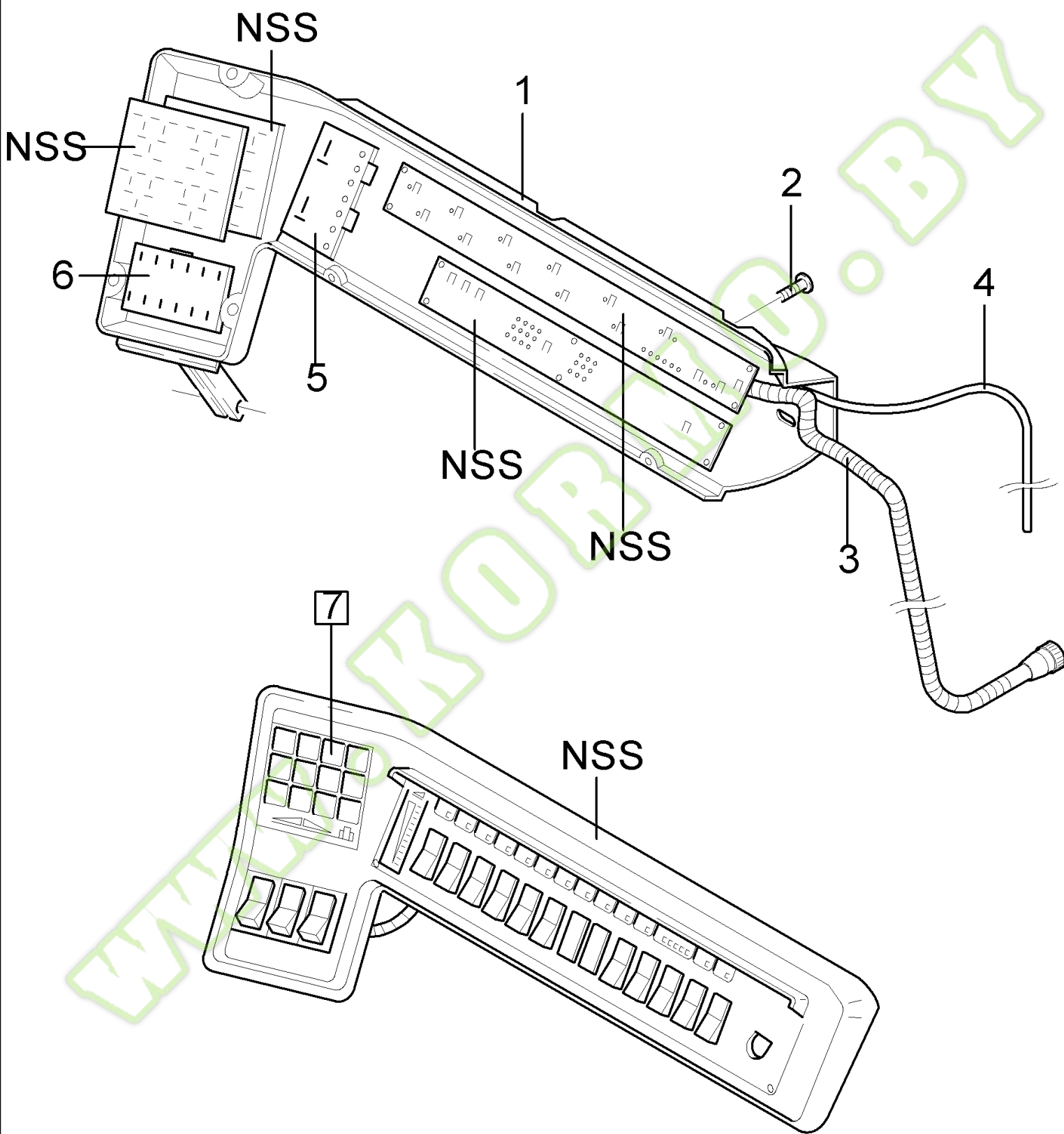
LAPPTOP CABLE



## FX375 NH SELF PROPELLED FORAGE HARVESTER - YELLOW VERSION

## 07.01(01) INSTRUMENT PANEL AND WIRING LOOM

Ref	Part Number	Qty	Description
1	84002739	1	MONITOR, CONTROL, (2,3)
2	84001148	1	COVER,
3	84001149	1	COVER,
4	9832284	1	SUPPORT, {PP:89832284}
5	9819099	4	WASHER, {PP:89819099}
6	448889	5	WASHER, {PP:80448889}
7	412491	5	SCREW, {PP:80412491} M6X16
8	84007540	4	SCREW, M6X25
9	747881	2	NUT, {PP:80747881}
10	9706755	2	NUT, {PP:89706755} M6, CI 8, M6
11	9812186	1	SUPPORT, {PP:89812186}
12	E9NN11603AB	2	KEY, IGNITION, {PP:81877351}
13	D4NN11N496A	1	NUT, {PP:83903198}
14	E8NN11N572AB	1	SWITCH, IGNITION, {PP:81876627}
15	84007539	2	WASHER, 6MM
16	84032301	1	CABLE,
17	84037377	1	LENS, , FOR CENTRAL LUBRICATION ONLY, D1000-
18	84039175	1	SWITCH, (19), FOR CENTRAL LUBRICATION ONLY, D1000-
19	84037356	1	BULB, , FOR CENTRAL LUBRICATION ONLY, D1000-
20	84023802	1	CABLE, ELECTRIC



## FX375 NH SELF PROPELLED FORAGE HARVESTER - YELLOW VERSION

## 07.02(01) INSTRUMENT PANEL AND WIRING LOOM

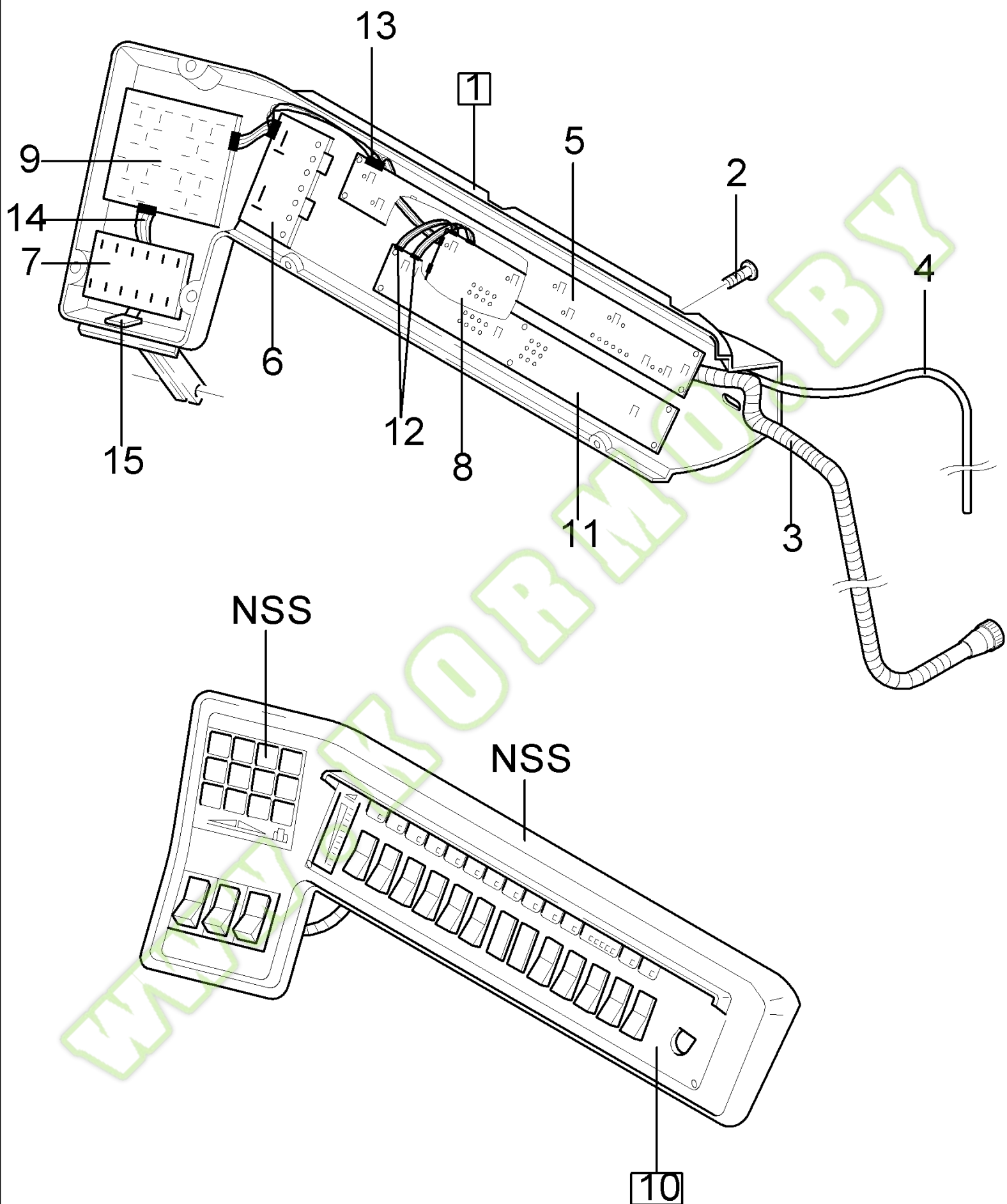
Ref	Part Number	Qty	Description
0	84001661	1	PANEL, INSTRUMENTS, , INCL. GROUPS 7.1,7.2 AND 7.4
1	84001897	1	COVER,
2	412475	9	SCREW, {PP:80412475} M4X16
3	84001776	1	HARNESS, WIRE,
4	9850332	1	CABLE, {PP:89850332}
5	84018149	1	BOARD, PRINTED CIRCUIT, HEADER
6	84019560	1	BOARD, PRINTED CIRCUIT,
7	84037211	1	ELECTRONIC UNIT, CONTROL,

WWW.KORMO.BY

ONLY VALID UNTIL SERIAL NO. --08999







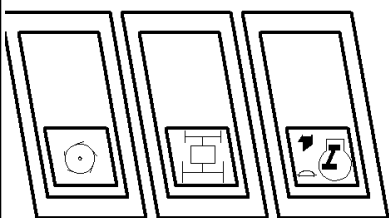
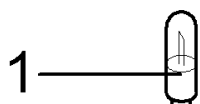
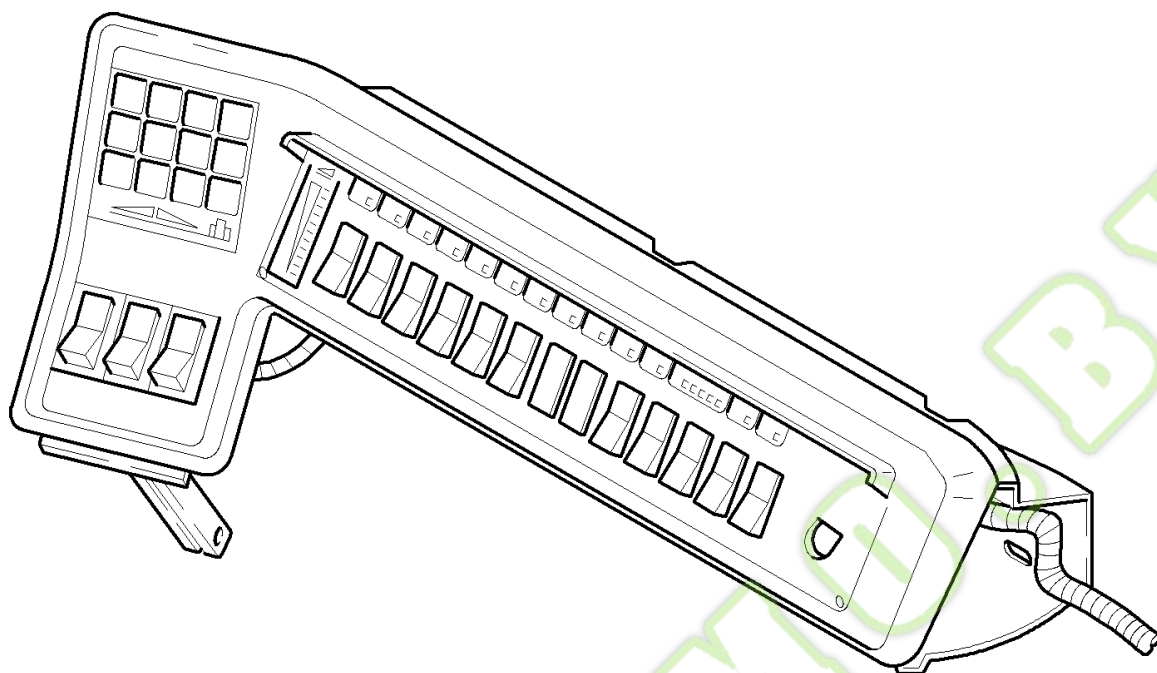
FOR COMPLETE INSTRUMENT PANEL: ORDER FRONT INSTRUMENT PANEL, BACK COVERING AND CABLE HARNESS  
ONLY VALID FROM SERIAL NO. --09001

## FX375 NH SELF PROPELLED FORAGE HARVESTER - YELLOW VERSION

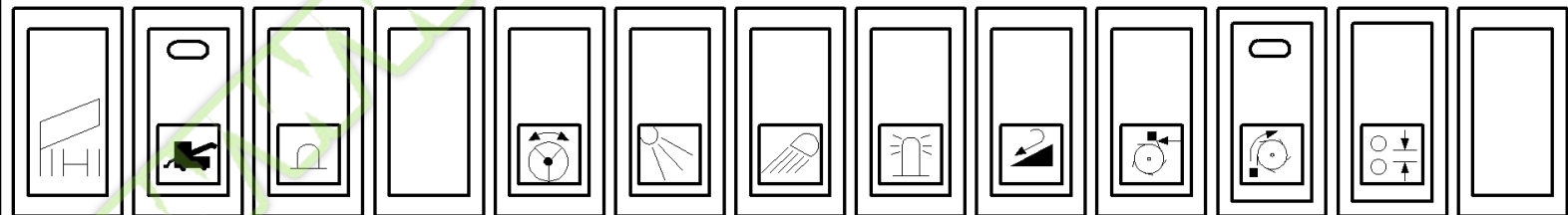
## 07.03(01) INSTRUMENT PANEL AND WIRING LOOM

Ref	Part Number	Qty	Description
1	84001897	1	COVER,
2	412475	9	SCREW, {PP:80412475} M4X16
3	84002741	1	HARNESS, WIRE, , -C0909
3	84002993	1	HARNESS, WIRE, , -C1013
3	84052136	1	HARNESS, WIRE, , -C0002
3	84057109	1	HARNESS, WIRE, , D5053-
4	9850332	1	CABLE, {PP:89850332} L=6M
5	84036151	1	BOARD, PRINTED CIRCUIT, LEDS
6	84036152	1	BOARD, PRINTED CIRCUIT, HEADER
7	84019560	1	BOARD, PRINTED CIRCUIT, 3 SWITCH
8	84036154	1	BOARD, PRINTED CIRCUIT, CPU
9	84036153	1	BOARD, PRINTED CIRCUIT, AOM
10	84037142	1	PANEL, INSTRUMENTS, , INCL. ITEMS 5 TO 9,11 AND GROUP 7.4
11	84036150	1	BOARD, PRINTED CIRCUIT, SWITCHES
12	84037738	1	CABLE, ELECTRIC,
13	84037739	1	CABLE, ELECTRIC,
14	84037737	1	CABLE, ELECTRIC,
15	84037745	1	CABLE, ELECTRIC, RS232

FOR COMPLETE INSTRUMENT PANEL: ORDER FRONT INSTRUMENT PANEL, BACK COVERING AND CABLE HARNESS  
 ONLY VALID FROM SERIAL NO. --09001



2 3 4

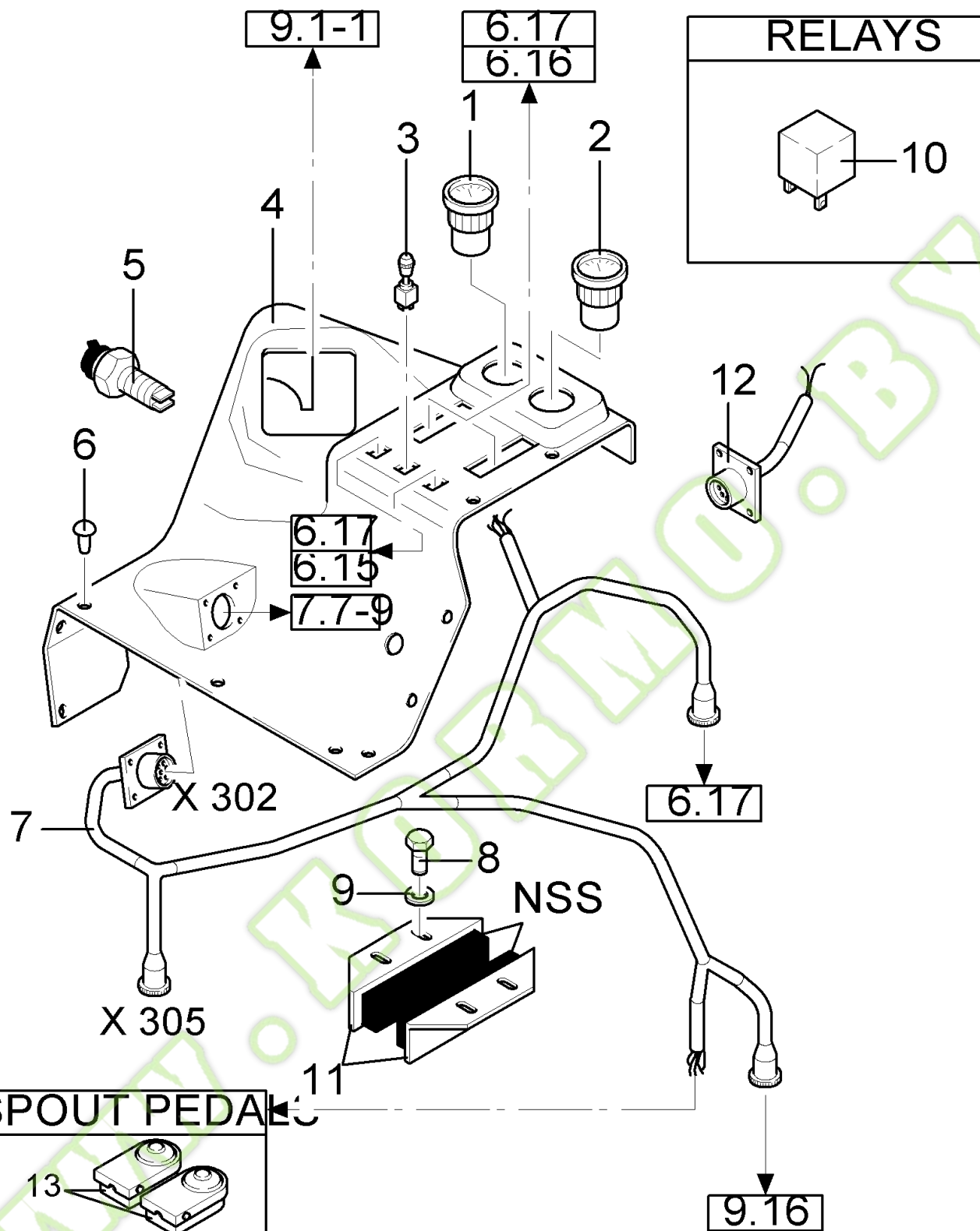


16 6 7 5 8 9 10 11 12 13 14 15 5

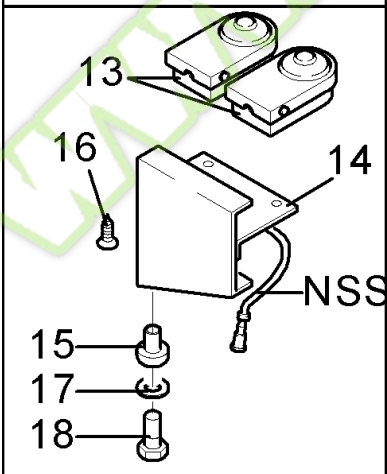
## FX375 NH SELF PROPELLED FORAGE HARVESTER - YELLOW VERSION

## 07.04(01) INSTRUMENT PANEL AND WIRING LOOM

Ref	Part Number	Qty	Description
1	84017423	AR	BULB, 1.2W /12V
2	84019743	1	SWITCH, ASSY, (1),DRIVE CUTTERHEAD
3	84019742	1	SWITCH, ASSY, (1),4-WHEEL DRIVE
4	84019741	1	SWITCH, ASSY, (1),RPM
5	9504368	AR	PLUG, {PP:89504368}
6	84021351	1	SWITCH, HARVEST ROAD, (1),HARVEST ROAD
7	84019739	1	SWITCH, ASSY, (1),METAL DETECTOR
8	84019738	1	SWITCH, ASSY, (1),AUTO-PILOT
9	84019737	1	SWITCH, ASSY, (1),SILAGE
10	84019736	1	SWITCH, LIGHTS, (1),LIGHTS
11	84019735	1	SWITCH, ASSY, (1),FLASHLIGHT
12	84021613	1	SWITCH, ASSY, (1),REVERSE MECH.
13	84019734	1	SWITCH, ASSY, (1),ADJUST-O-MATIC
14	84019733	1	SWITCH, ASSY, (1),REVERSE CUTTERH.
15	84019732	1	SWITCH, ASSY, (1),ROLL ADJ.
16	84043203	1	SWITCH, ASSY, (1),HIGH CAPACITY HYDR.



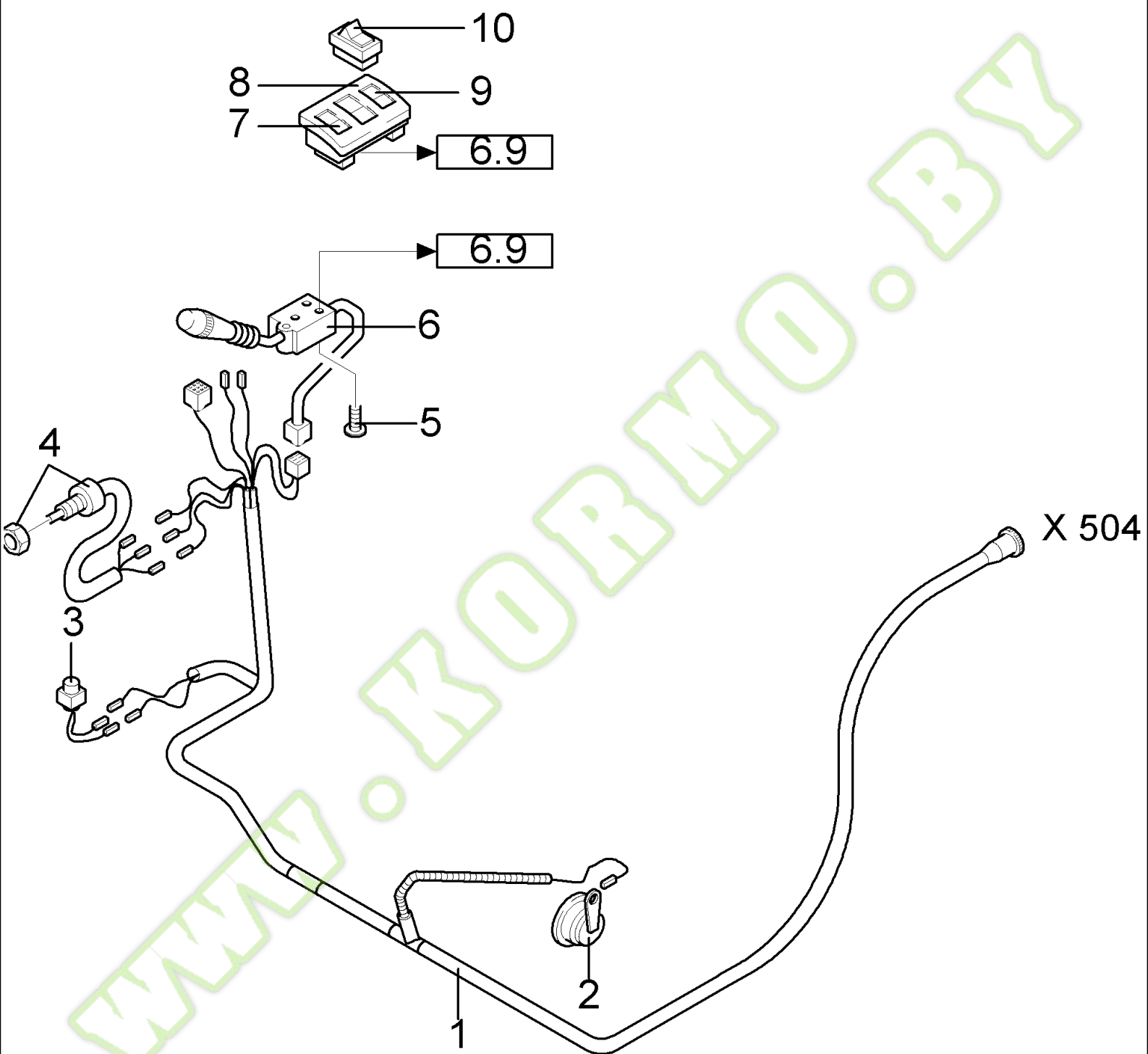
**SPOUT PEDALS**



## FX375 NH SELF PROPELLED FORAGE HARVESTER - YELLOW VERSION

## 07.05(01) INSTRUMENT PANEL

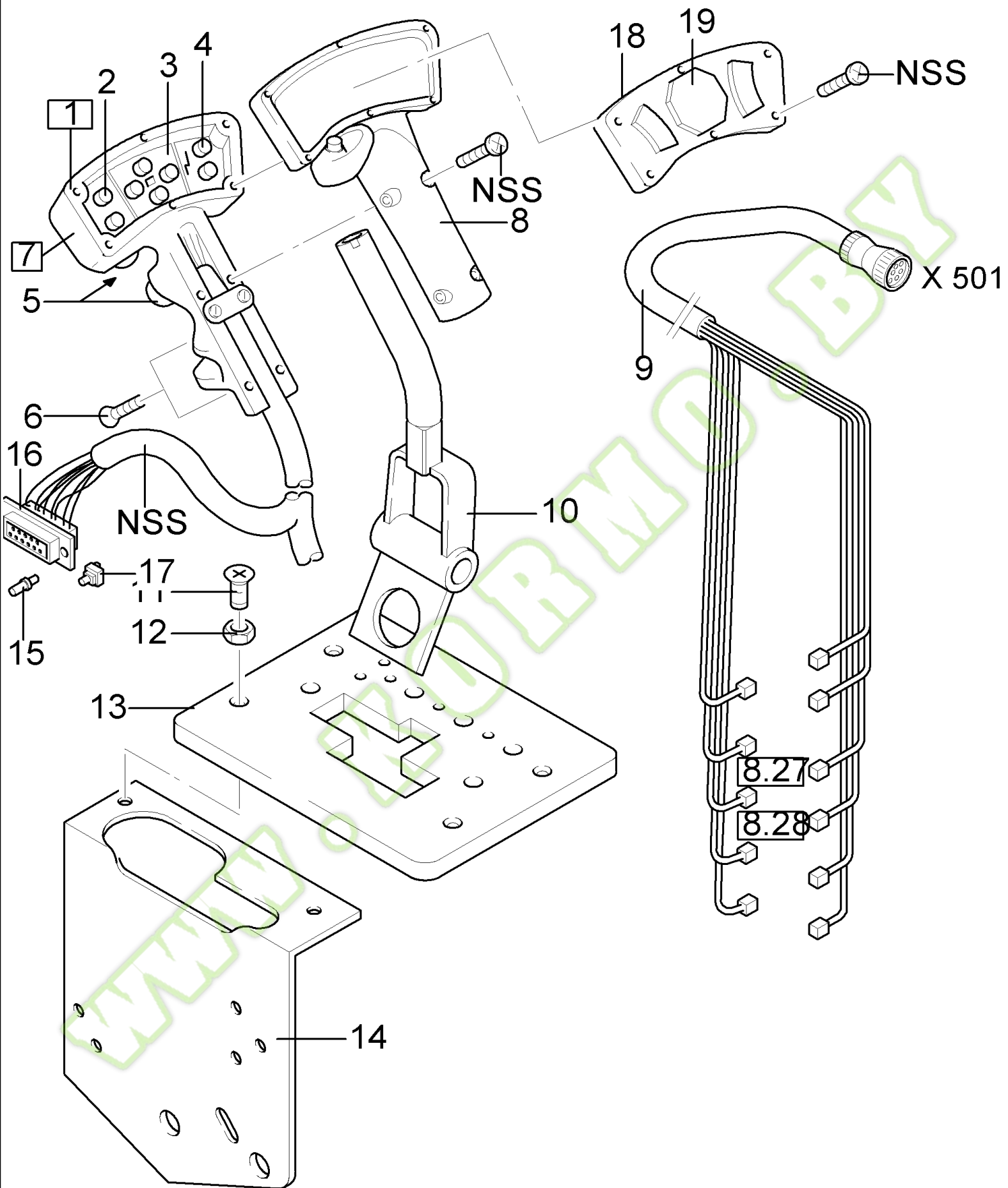
Ref	Part Number	Qty	Description
1	9837115	1	GAUGE, LEVEL, {PP:89837115} WATER
2	9837116	1	GAUGE, LEVEL, {PP:89837116} FUEL LEVEL
3	9850817	1	SWITCH, FAN, {PP:89850817} CAB FAN
4	9818587	1	CASE, {PP:89818587} GEAR SHIFT
5	374418	1	SOCKET, POWER, {PP:80374418}
6	446914	AR	PLUG, {PP:80446914}
7	84001762	1	HARNESS, WIRE, , -C0409
7	84002995	1	HARNESS, WIRE, , D1000-
8	80120099	4	SCREW, Hex, M6 x 16, 8.8, M6X16
9	140015	4	WASHER, {PP:80140015} 6MM
10	84000651	2	RELAY, , D1000-
11	84000548	2	SUPPORT,
12	450051	1	ALARM, {PP:80450051}
13	9833626	2	PEDAL, {PP:89833626}
14	84001175	1	SUPPORT,
15	322357	2	WASHER, LOCK, {PP:80322357} Belleville, M6, Belleville, M6
16	9850737	4	SCREW, {PP:89850737}
17	140040	3	WASHER, {PP:80140040} M6 x 22 x 2, 6MM
18	120100	3	BOLT, {PP:80120100} Hex, M6 x 20, 8.8, M6X20



Ref	Part Number	Qty	Description
1	84001777	1	HARNESS, WIRE, , -C5052
1	84057110	1	HARNESS, WIRE, , D5053-
2	80354374	1	HORN,
3	89617222	1	SWITCH,
4	89617220	1	POTENTIOMETER,
5	280154	3	SCREW, SELF TAPPING, {PP:80280154} Cross Rd Hd, #6 x 1/2", #6 X .50"
6	84014920	1	SWITCH, ASSY,
7	9817520	1	LAMP, {PP:89817520}
8	84014917	1	PLATE, COVER,
9	84021299	1	LAMP,
10	89817432	1	SWITCH, FLASHER,

WWW.KORMO.BY

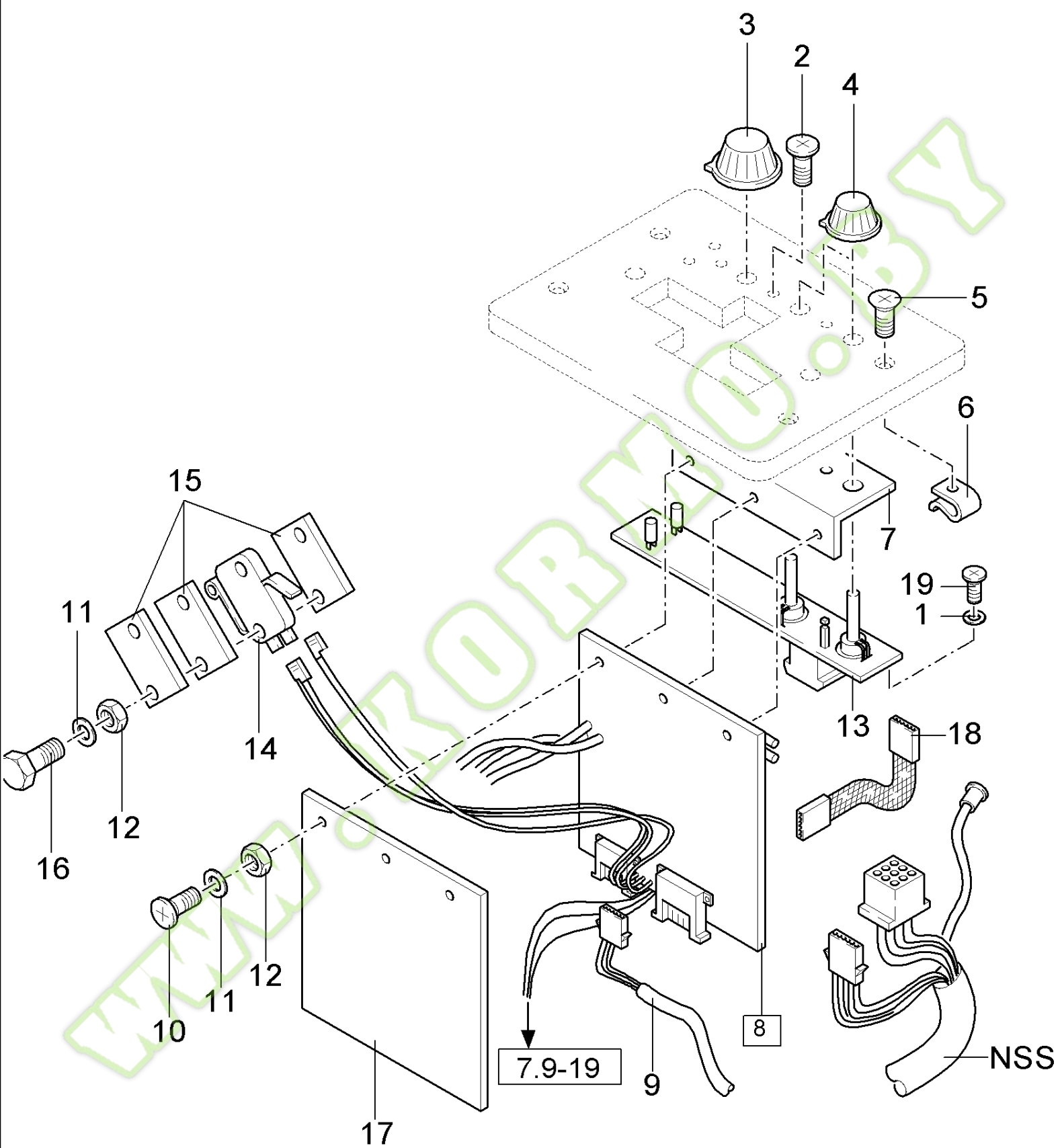




## FX375 NH SELF PROPELLED FORAGE HARVESTER - YELLOW VERSION

## 07.07(01) CONTROL LEVER FOR HYDRAULICS

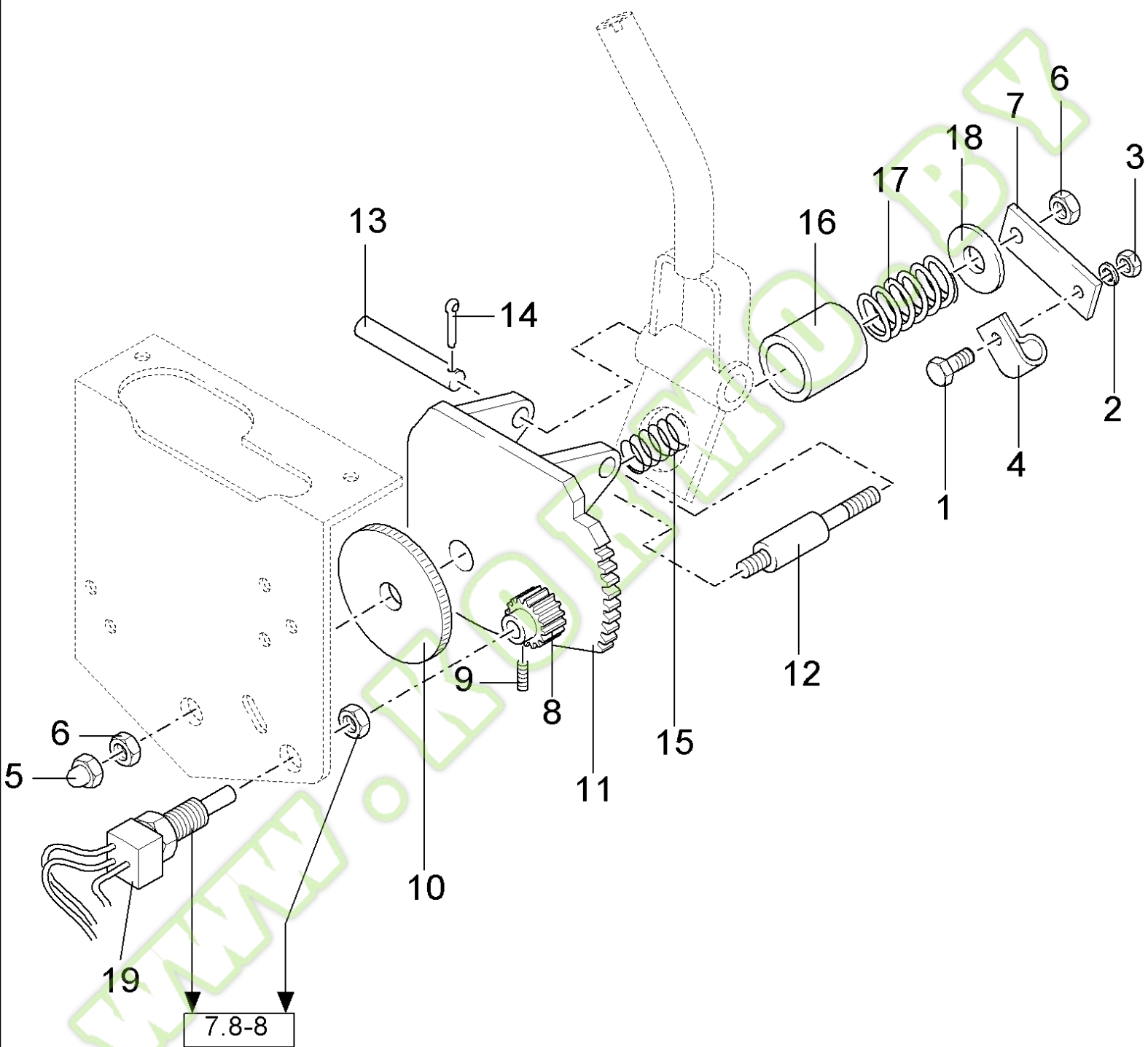
Ref	Part Number	Qty	Description
1	84004941	1	HANDLE, CRANKED, (1 TO 8,10 TO 14)
2	84022672	1	BOARD, PRINTED CIRCUIT, , INCLUDING SWITCHES
3	84022673	1	BOARD, PRINTED CIRCUIT, , INCLUDING SWITCHES
4	84022675	1	BOARD, PRINTED CIRCUIT, , INCLUDING SWITCHES
5	84022674	2	SWITCH, ASSY,
6	89819756	2	SCREW, M4X8
7	9833098	1	HANDLE, {PP:89833098} (2 TO 8,10,18,19)
8	84017914	1	COVER, , INCLUDING SWITCHES
9	84001781	1	HARNESS, WIRE, , WITH REAR OUT HYDRAULICS, -C0413
9	84002045	1	HARNESS, WIRE, , -C0413
9	84052143	1	HARNESS, WIRE, , WITH REAR OUT HYDRAULICS, -C0002
9	84057096	1	HARNESS, WIRE, , WITH REAR OUT HYDRAULICS, D5053-
9	84052276	1	HARNESS, WIRE, , -C0002
9	84057097	1	HARNESS, WIRE, , D5053-
10	84017665	1	HANDLE,
11	374897	4	SCREW, {PP:80374897} Hex Flat Hd, M8 x 25, 4.8, M8X25
12	100067	2	NUT, {PP:80100067} M8 x 1.25", CI 8, M8
13	84017666	1	COVER,
14	9819972	1	SUPPORT, {PP:89819972}
15	84018300	20	CONNECTOR, HYD.,
16	84018301	1	BLOCK, CONNECTING,
17	84018302	1	KIT,
18	84032398	1	KNOB,
19	84032396	1	SET OF PARTS,



## FX375 NH SELF PROPELLED FORAGE HARVESTER - YELLOW VERSION

## 07.08(01) ELECTRONIC CONTROL UNIT FOR HYDRAULICS

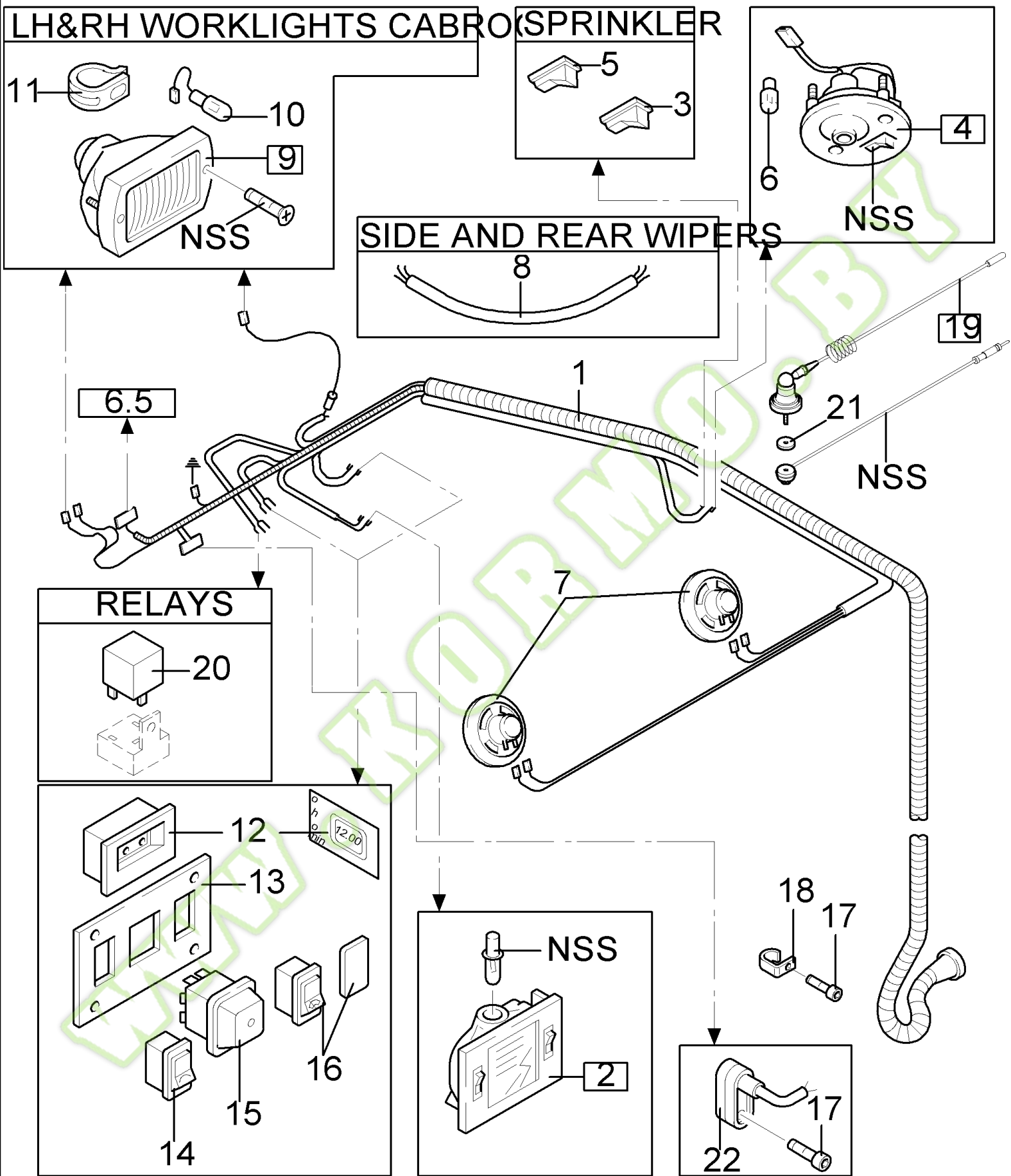
Ref	Part Number	Qty	Description
1	84031878	AR	WASHER,
2	321803	3	BOLT, {PP:80321803} Cross Pan Hd, M4 x 10, M4X10
3	9819757	1	KNOB, {PP:89819757}
4	9819758	2	KNOB, {PP:89819758}
5	9819754	4	SCREW, {PP:89819754}
6	9819712	4	CLIP, {PP:89819712}
7	9819911	1	SUPPORT, {PP:89819911}
8	84045779	1	BOARD, PRINTED CIRCUIT, , WITH POTENTIOMETER
9	84001764	1	HARNESS, WIRE,
10	80120006	3	SCREW, M3X16
11	412547	5	WASHER, LOCK, {PP:80412547} Serr, M3, 3MM
12	100011	5	NUT, {PP:80100011} M3, CI 8, M3
13	84018151	1	BOARD, PRINTED CIRCUIT,
14	399159	1	SWITCH, {PP:80399159}
15	9819980	3	PLATE, {PP:89819980}
16	301571	2	SCREW, {PP:80301571} M3X25
17	84019455	1	SHIELD,
18	84023617	1	HARNESS, WIRE, , D0600-
19	84031877	AR	BOLT,



## FX375 NH SELF PROPELLED FORAGE HARVESTER - YELLOW VERSION

## 07.09(01) ELECTRONIC CONTROL UNIT FOR HYDRAULICS

Ref	Part Number	Qty	Description
1	412491	1	SCREW, {PP:80412491} M6X16
2	322357	1	WASHER, LOCK, {PP:80322357} Belleville, M6, Belleville, M6
3	9706755	1	NUT, {PP:89706755} M6, CI 8, M6
4	9507809	1	CLAMP, {PP:89507809}
5	747886	1	NUT, {PP:80747886} M10
6	100016	2	NUT, {PP:80100016} M10, CI 8, M10
7	9832483	1	PLATE, COVER, {PP:89832483}
8	84022671	1	GEAR,
9	9819753	1	SCREW, {PP:89819753} Hex Soc, M4 x 4, Cup Pt, M4X4
10	84056641	1	DISC,
11	9819679	1	SUPPORT, {PP:89819679}
12	9819970	1	SHAFT, {PP:89819970}
13	412102	1	PIN, {PP:80412102}
14	130003	2	PIN, SPLIT (COTTER), {PP:80130003} M3.2 x 20,
15	320502	1	SPRING, {PP:80320502}
16	84007406	1	BUSHING,
17	750881	1	SPRING, {PP:80750881}
18	140219	1	WASHER, {PP:80140219} 10MM
19	84045778	1	POTENTIOMETER,

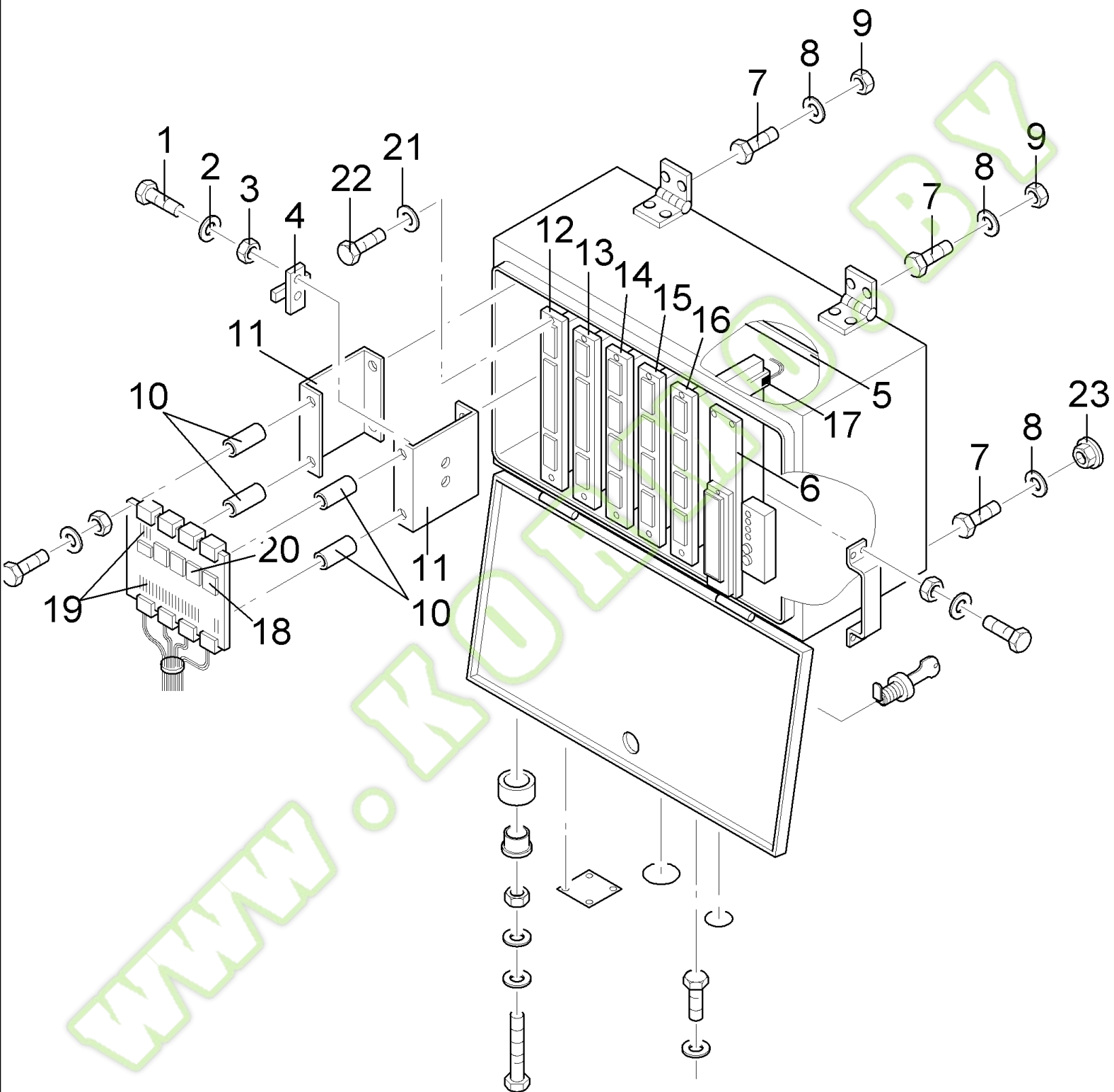


## FX375 NH SELF PROPELLED FORAGE HARVESTER - YELLOW VERSION

## 07.10(01) CAB ROOF: ELECTRICITY

Ref	Part Number	Qty	Description
1	84001775	1	HARNESS, WIRE, , -C0409
1	84002906	1	HARNESS, WIRE, , -C0003
1	84002958	1	HARNESS, WIRE, , -C1012
1	84057098	1	HARNESS, WIRE, , D5053-
2	9504225	1	LAMP, {PP:89504225}
3	84007080	1	SWITCH, WINDSHIELD WIPER, WIPER, D1300-
4	9504222	1	LAMP, {PP:89504222}
5	84037501	1	SWITCH, ASSY, SPRINKLER, D1300-
5	84037502	1	SWITCH, ASSY, SPRINKLER, D1300-
5	84037503	1	SWITCH, ASSY, SPRINKLER, D1300-
6	353078	1	BULB, {PP:80353078}
7	9815968	1	SPEAKER, {PP:89815968} (SET OF 2)
8	84035378	1	HARNESS, WIRE, , D1300-
9	9837139	2	HEADLAMP, {PP:89837139}
10	9703399	2	HEADLAMP,
11	9819712	4	CLIP, {PP:89819712}
12	84FB15000FB	1	CLOCK, {PP:83986013}, -C0409
12	84037863	1	CLOCK, , D1000-
13	9812398	1	PLATE, {PP:89812398}
14	84011250	1	SWITCH, MIRROR, -C0412
14	84037499	1	SWITCH, ASSY, MIRROR, D1300-
15	9501006	1	SWITCH, ASSY, {PP:89501006} MIRROR
16	84007080	1	SWITCH, WINDSHIELD WIPER, WIPER, -C0412
16	84037500	1	SWITCH, ASSY, MIRROR, FOR GERMANY ONLY, D1300-
16	9504368	1	PLUG, {PP:89504368}, D1300-
17	9835804	AR	SCREW, {PP:89835804}
18	84005699	AR	CLIP,
19	84014749	1	ANTENNA, , -C0405
19	84026763	1	ANTENNA, , D0600-
20	84000651	3	RELAY,
21	84002421	1	WASHER, , D0600-
22	E7NN13752AA	1	SWITCH, ASSY, {PP:83961521} DOOR

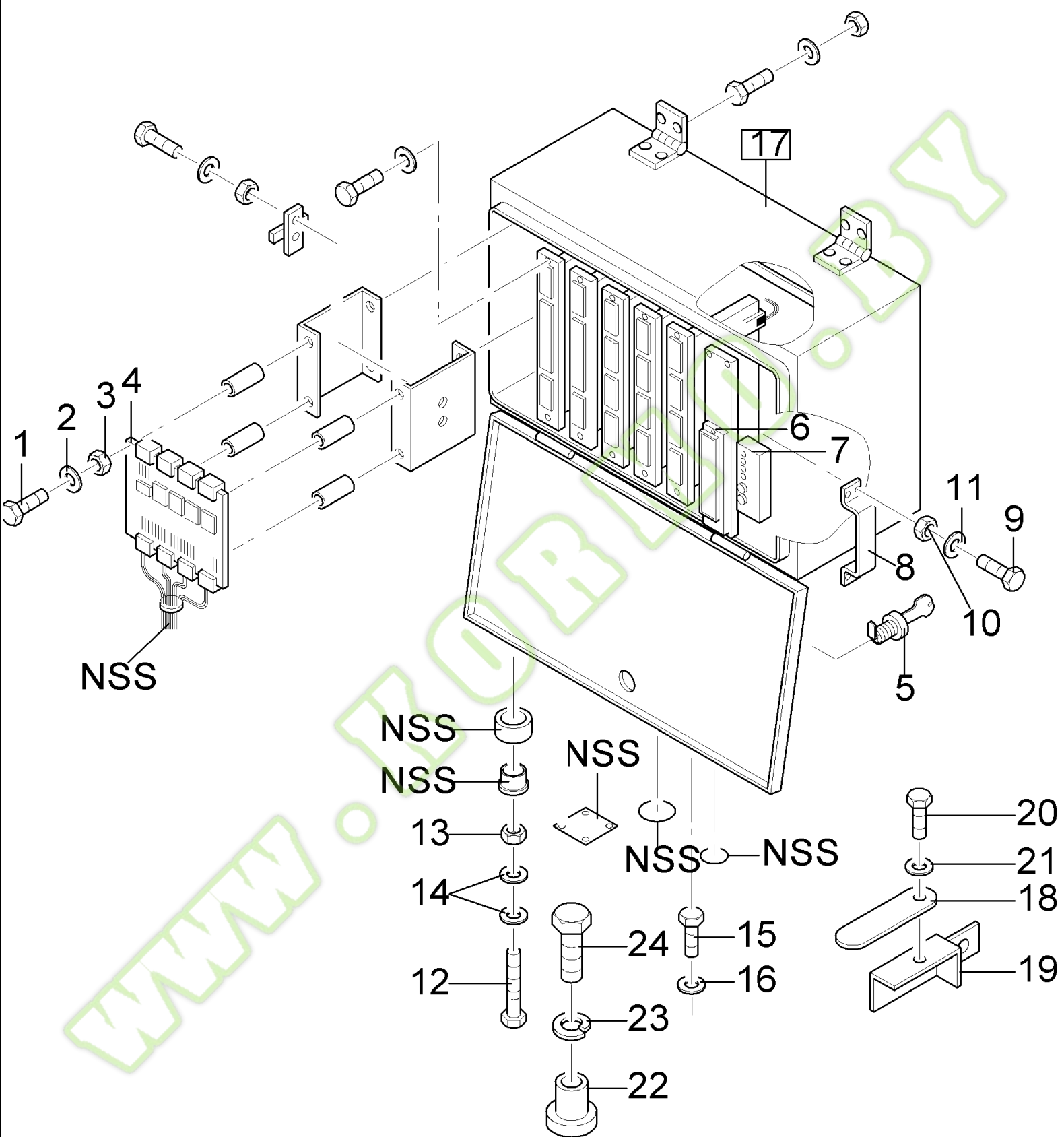




## FX375 NH SELF PROPELLED FORAGE HARVESTER - YELLOW VERSION

## 07.11(01) ELECTRIC CONTROL BOX

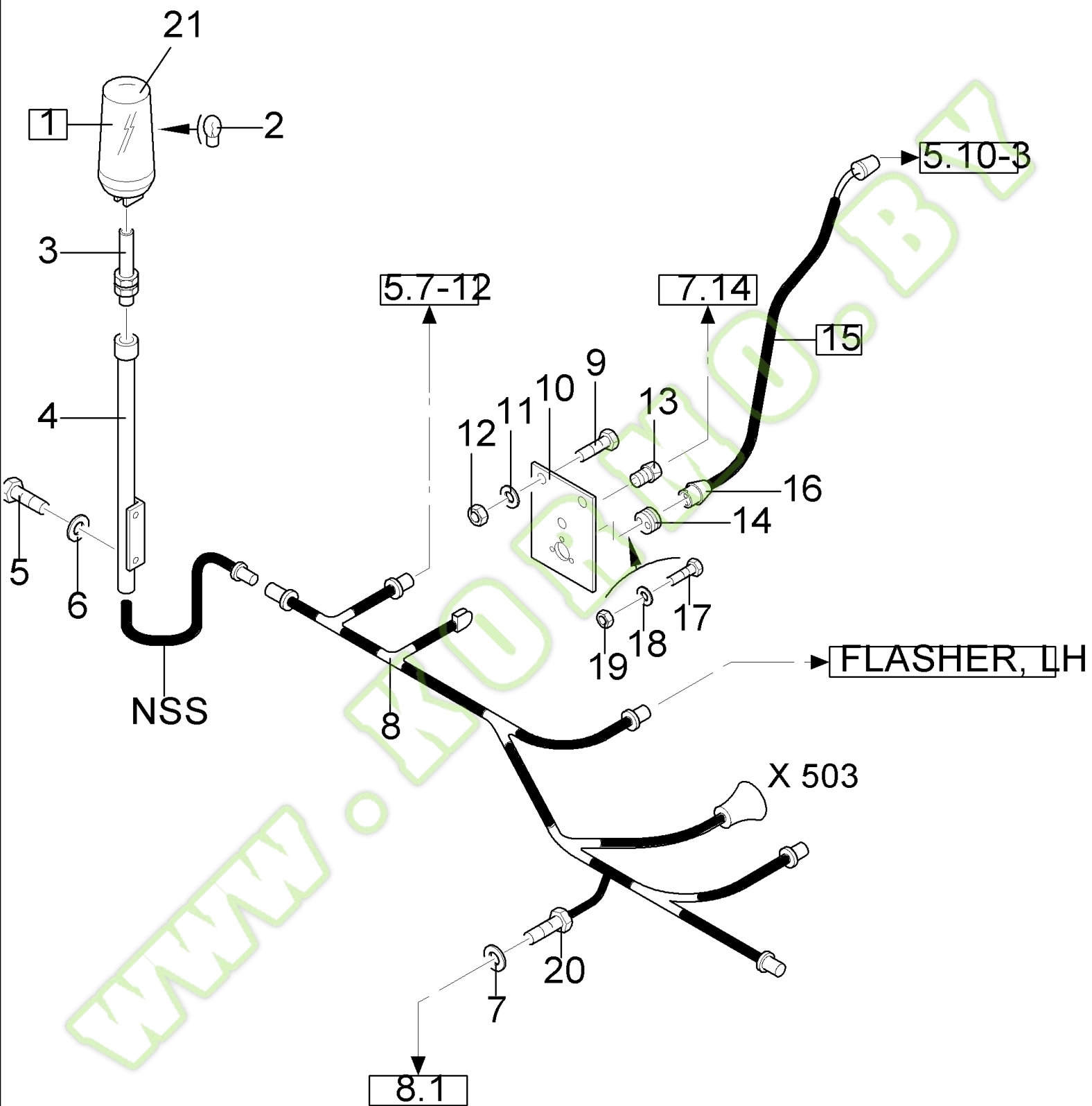
Ref	Part Number	Qty	Description
1	120007	2	SCREW, {PP:80120007} Cross Pan Hd, M4 x 16, M4X16
2	322355	2	WASHER, LOCK, {PP:80322355} Belleville, M4, 4MM
3	100012	2	NUT, {PP:80100012} M4, CI 8, M4
4	457197	1	FUSE, {PP:80457197}
5	84018167	1	PANEL, BOXED,
6	9812608	1	PLATE, {PP:89812608}
7	43128	8	SCREW, {PP:80043128} Hex, M8 x 30, 8.8, Cap, HH, CL 8.8, M8 x 1.25 x 30
8	322358	4	WASHER, LOCK, {PP:80322358} Belleville, M8, 8MM
9	100015	8	NUT, {PP:80100015} M8, CI 8, M8
10	9818991	7	BUSHING, {PP:89818991}
11	84019647	1	SUPPORT,
12	84036155	1	BOARD, PRINTED CIRCUIT,
13	84036156	1	BOARD, PRINTED CIRCUIT,
14	84018158	1	BOARD, PRINTED CIRCUIT,
15	84018157	1	BOARD, PRINTED CIRCUIT,
16	84053904	1	BOARD, PRINTED CIRCUIT,
17	84019648	1	HARNESS, WIRE,
18	441074	1	FLASHER UNIT, {PP:80441074}
18	9813500	1	FLASHER UNIT, {PP:89813500} , FOR ITALY ONLY
19	D9ZB14A094FA	AR	FUSE, {PP:83932926} 25A
19	89811773	AR	FUSE, 10A
19	84032356	AR	FUSE, 30A
19	84038658	AR	FUSE, 40A
19	9623774	AR	FUSE, {PP:89623774} 15A
20	84000651	AR	RELAY,
21	84031878	AR	WASHER,
22	84031877	AR	BOLT,
23	89804277	2	NUT,



## FX375 NH SELF PROPELLED FORAGE HARVESTER - YELLOW VERSION

## 07.12(01) ELECTRIC CONTROL BOX

Ref	Part Number	Qty	Description
1	80120099	10	SCREW, Hex, M6 x 16, 8.8, M6X16
2	322357	10	WASHER, LOCK, {PP:80322357} Belleville, M6, Belleville, M6
3	9706755	10	NUT, {PP:89706755} M6, CI 8, M6
4	84037237	1	BOARD, PRINTED CIRCUIT,
5	9814881	1	LOCK, {PP:89814881}
6	84045023	1	ELECTRONIC UNIT, CONTROL, EMRD, -C0432
6	84053755	1	ELECTRONIC UNIT, CONTROL, EMRD, D3300-
7	84018170	1	ELECTRONIC UNIT, CONTROL,
8	84019665	1	SUPPORT,
9	80385683	4	SCREW, M4X10
10	100012	6	NUT, {PP:80100012} M4, CI 8, M4
11	322355	6	WASHER, LOCK, {PP:80322355} Belleville, M4, 4MM
12	120060	2	SCREW, {PP:80120060} Hex, M8 x 50, 8.8, M8X50
13	100015	2	NUT, {PP:80100015} M8, CI 8, M8
14	322358	2	WASHER, LOCK, {PP:80322358} Belleville, M8, 8MM
15	9837223	1	CONNECTOR, HYD., {PP:89837223}
16	9839398	1	NUT, {PP:89839398}
17	84023721	1	ELECTRONIC UNIT, CONTROL, (12 TO 14), -C0408
17	84036549	1	ELECTRONIC UNIT, CONTROL, (12 TO 14), -C0909
17	84041104	1	ELECTRONIC UNIT, CONTROL, (12 TO 14), -C1012
17	84043056	1	ELECTRONIC UNIT, CONTROL, (12 TO 14), -C1313
17	84056171	1	ELECTRONIC UNIT, CONTROL, (12 TO 14), D1400-
18	84052103	1	BRACKET, , D1400-
19	84052117	1	BRACKET, , D1400-
20	80120099	1	SCREW, Hex, M6 x 16, 8.8, M6X16, D1400-
21	353308	1	NUT, {PP:80353308} M6 x 1, CI 8, M6, D1400-
22	84053017	1	HANDLE, , D1400-
23	140046	1	WASHER, LOCK, {PP:80140046} Belleville, M12, 12MM, D1400-
24	388113	1	SCREW, {PP:80388113} Hex, M12 x 16, 8.8, Full Thd, M12X16, D1400-



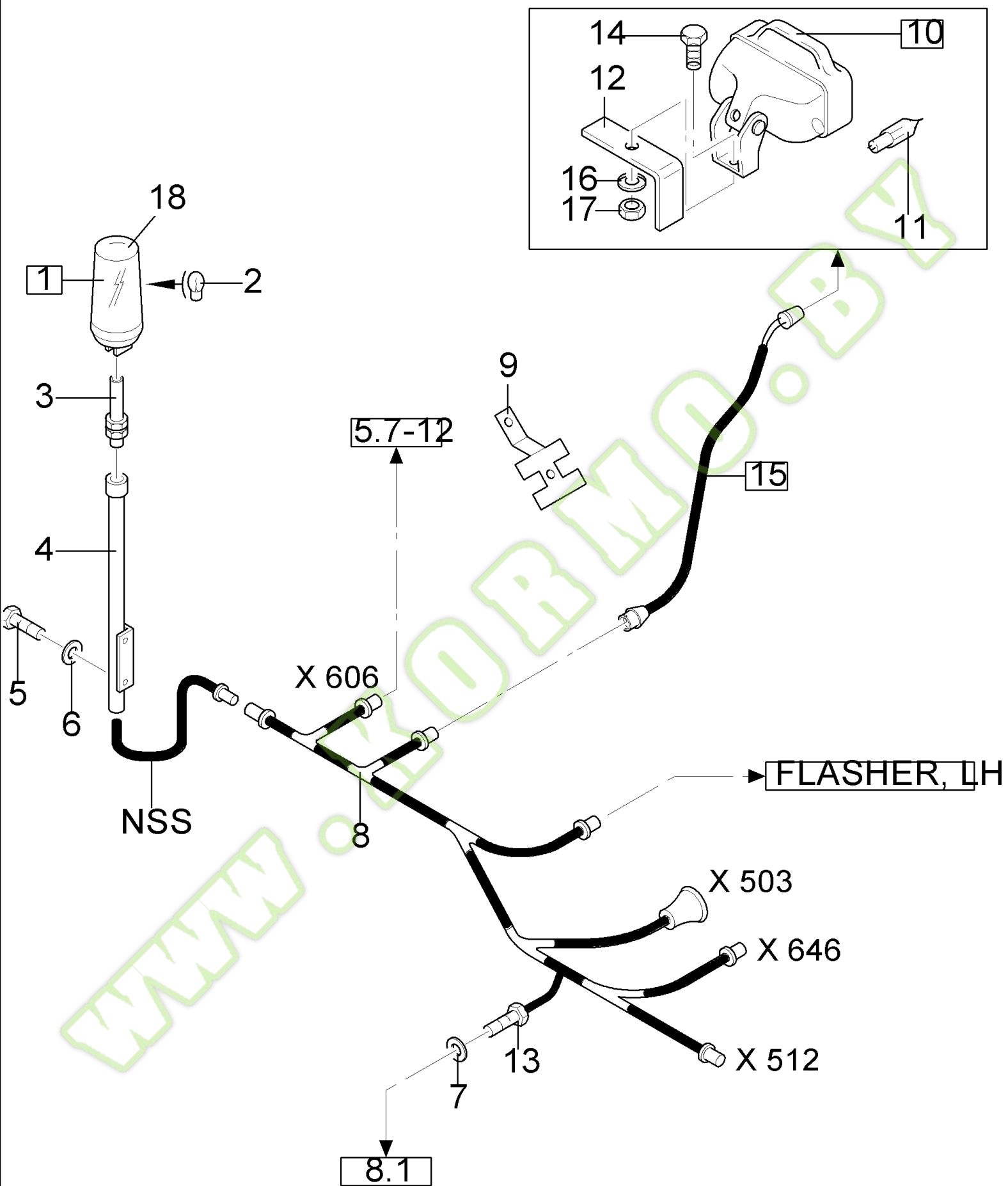
## FX375 NH SELF PROPELLED FORAGE HARVESTER - YELLOW VERSION

## 07.13(01) ELECTRIC WIRING: SPOUT AND FLASHERS

Ref	Part Number	Qty	Description
1	9513421	2	BEACON, ROTATING, {PP:89513421} (2,21)
2	442227	2	BULB, {PP:80442227}
3	9513422	2	CONNECTOR, WIRE, {PP:89513422}
4	84045529	1	TUBE, RH
4	84045530	1	TUBE, LH
5	120073	2	SCREW, {PP:80120073} Hex, M10 x 80, 8.8, M10X80
6	140045	2	WASHER, LOCK, {PP:80140045} Belleville, M10, 10MM
7	722441	1	GASKET,
8	84001780	1	HARNESS, WIRE, , -C0409
8	84002984	1	HARNESS, WIRE, , -C1012
8	84035486	1	HARNESS, WIRE, , D1300-
9	120100	2	BOLT, {PP:80120100} Hex, M6 x 20, 8.8, M6X20
10	84021040	1	PLATE, COVER,
11	322357	2	WASHER, LOCK, {PP:80322357} Belleville, M6, Belleville, M6
12	9706755	2	NUT, {PP:89706755} M6, CI 8, M6
13	374418	1	SOCKET, POWER, {PP:80374418}
14	398224	1	SOCKET, POWER, {PP:80398224}
15	84001791	1	HARNESS, WIRE, (16), -C0408
15	84002680	1	HARNESS, WIRE, (16), D0900-
16	398225	1	CONNECTOR, WIRE,
17	412658	3	SCREW, {PP:80412658} Cross Pan Hd, M4 x 40, M4X40
18	322355	3	WASHER, LOCK, {PP:80322355} Belleville, M4, 4MM
19	100012	3	NUT, {PP:80100012} M4, CI 8, M4
20	84021678	1	SENDER UNIT,
21	84062394	2	LENS,

ONLY VALID UNTIL SERIAL NO. --13999





## FX375 NH SELF PROPELLED FORAGE HARVESTER - YELLOW VERSION

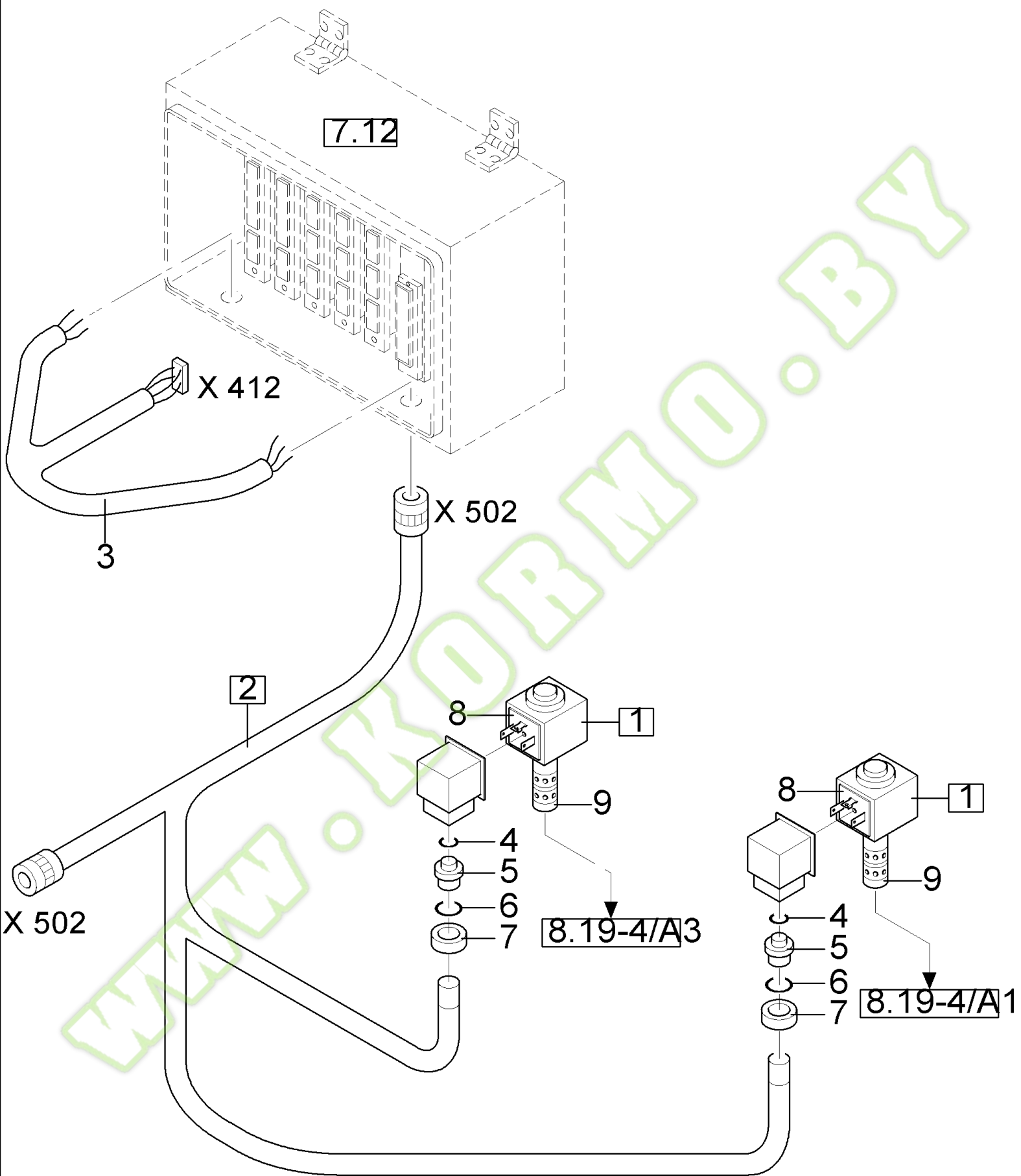
## 07.13A(01) ELECTRIC WIRING: SPOUT AND FLASHERS

Ref	Part Number	Qty	Description
1	9513421	2	BEACON, ROTATING, {PP:89513421} (2,18)
2	442227	2	BULB, {PP:80442227}
3	9513422	2	CONNECTOR, WIRE, {PP:89513422}
4	84045529	1	TUBE, RH
4	84045530	1	TUBE, LH
5	120073	2	SCREW, {PP:80120073} Hex, M10 x 80, 8.8, M10X80, -C0438
6	140045	2	WASHER, LOCK, {PP:80140045} Belleville, M10, 10MM
7	722441	1	GASKET,
8	84052134	1	HARNESS, WIRE, , -C5052
8	84057091	1	HARNESS, WIRE, , D5053-
9	84032700	AR	SUPPORT,
10	9837140	1	LAMP, {PP:89837140} (11)
11	9703399	1	HEADLAMP, 12V-55W
12	9813909	1	SUPPORT, {PP:89813909}
13	84021678	1	SENDER UNIT,
14	120041	2	BOLT, {PP:80120041} Short NK, M10 x 20, CI8.8, Full Thd, M10X20
15	84052156	1	HARNESS, WIRE, (16)
16	140045	2	WASHER, LOCK, {PP:80140045} Belleville, M10, 10MM
17	100016	2	NUT, {PP:80100016} M10, CI 8, M10
18	84062394	2	LENS,
5	120109	2	SCREW, {PP:80120109} Hex, M10 x 20, 8.8, Full Thd, M10X20, D3900-

ONLY VALID FROM SERIAL NO. --14001







## FX375 NH SELF PROPELLED FORAGE HARVESTER - YELLOW VERSION

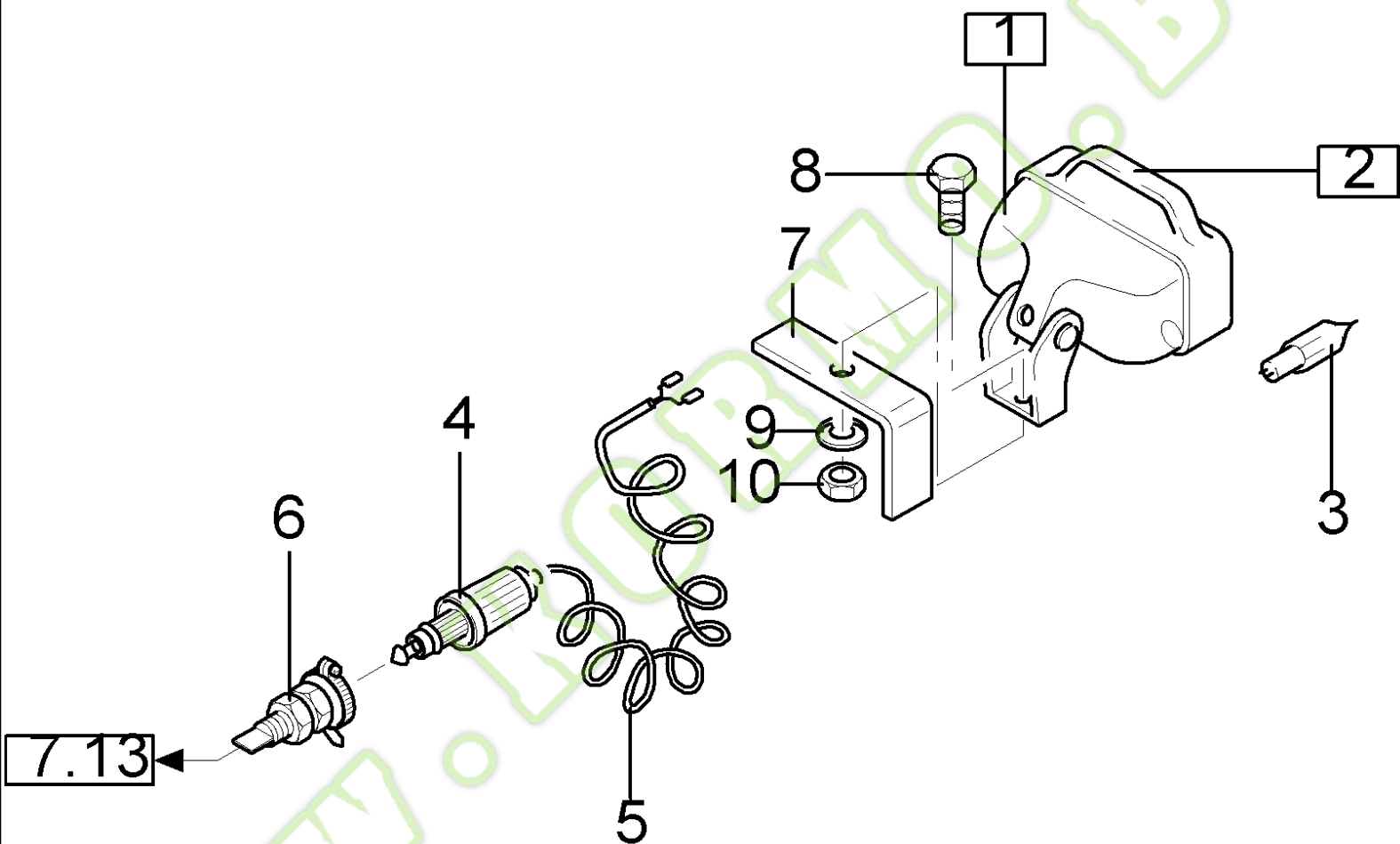
## 07.13B(01) ELECTRIC WIRING : FLIPPER KIT

Ref	Part Number	Qty	Description
1	84038141	2	VALVE, HYDRAULIC, (8,9)
2	84052515	1	HARNESS, WIRE, (4 TO 7)
3	84052595	1	HARNESS, WIRE,
4	84021922	2	O-RING,
5	84021924	2	CONNECTOR, HYD.,
6	84021921	2	ELEMENT, SEALING,
7	84021923	2	NUT,
8	84038162	2	KIT, SEALS,
9	84015319	2	ELECTROMAGNET, 12V

WWW.KORMO.BY

ONLY VALID UNTIL --13999



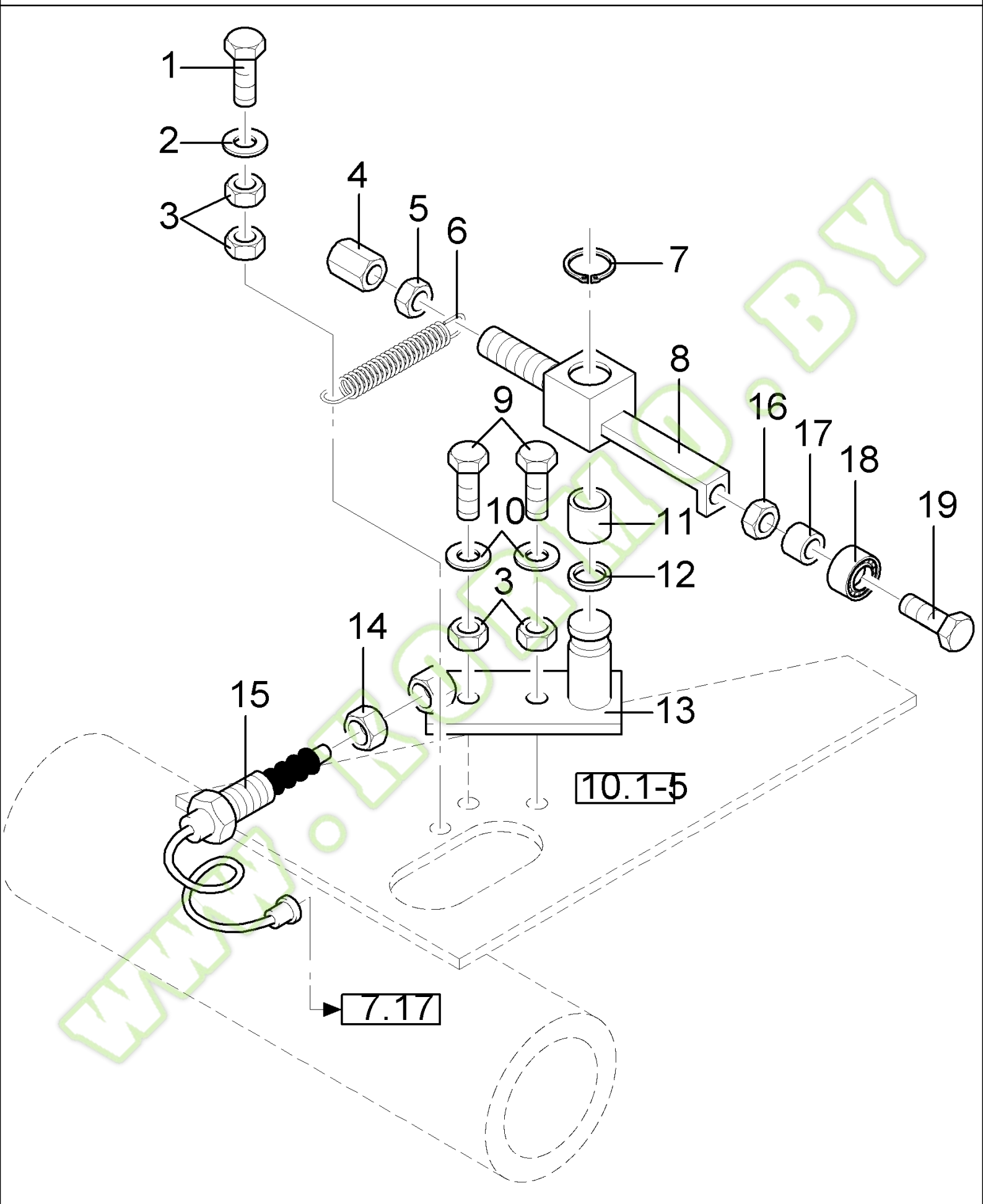


## FX375 NH SELF PROPELLED FORAGE HARVESTER - YELLOW VERSION

## 07.14(01) ADDITIONAL WORK LIGHT: SPOUT

Ref	Part Number	Qty	Description
1	84004176	1	LAMP, WORK, (2 TO 5,8 TO 10)
2	9837140	1	LAMP, {PP:89837140} (3)
3	9703399	1	HEADLAMP, 12V/55W
4	353969	1	CONNECTOR, {PP:80353969}
5	264517	1	HARNESS, WIRE, {PP:80264517}
6	374418	1	SOCKET, POWER, {PP:80374418}
7	9813909	1	SUPPORT, {PP:89813909}
8	120041	2	BOLT, {PP:80120041} Short NK, M10 x 20, CI8.8, Full Thd, M10X20
9	140045	2	WASHER, LOCK, {PP:80140045} Belleville, M10, 10MM
10	100016	2	NUT, {PP:80100016} M10, CI 8, M10

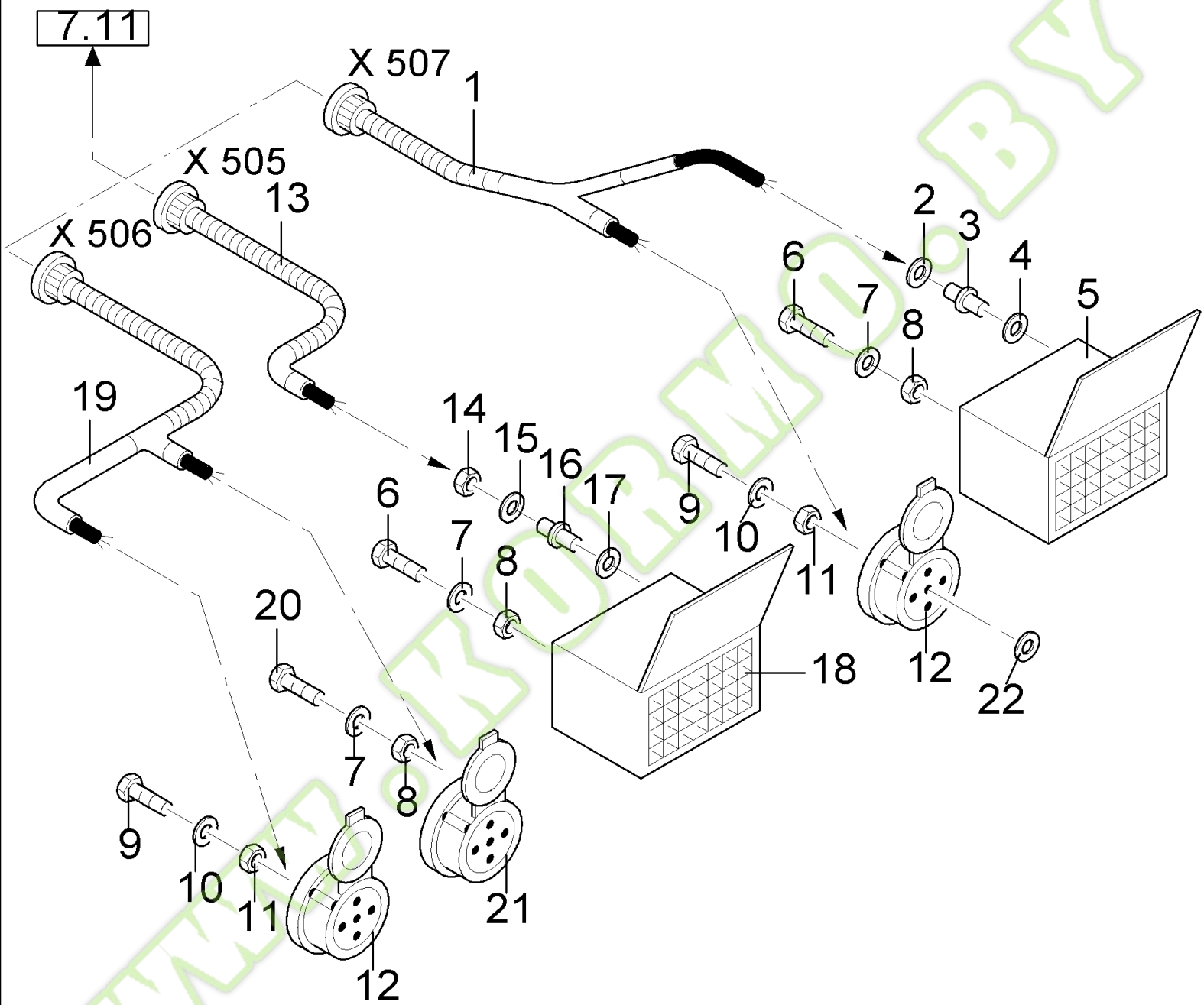
WWW.KORMO.BY



## FX375 NH SELF PROPELLED FORAGE HARVESTER - YELLOW VERSION

## 07.15(01) CHOPPER: HEIGHT INDICATOR

Ref	Part Number	Qty	Description
1	120106	1	SCREW, {PP:80120106} Hex, M8 x 40, 8.8, Full Thd, Hex, M8 x 40, 8.8, Full Thd
2	378243	1	WASHER, {PP:80378243} 8MM
3	100015	4	NUT, {PP:80100015} M8, CI 8, M8
4	100039	1	NUT, {PP:80100039} M16 x 2, CI 8, M12
5	337475	1	NUT, {PP:80337475} M12, CI 10, M12
6	354039	1	SPRING, {PP:80354039}
7	370024	1	RING, SNAP, {PP:80370024}
8	84007582	1	LEVER,
9	412479	2	SCREW, {PP:80412479} Hex, M8 x 35, 8.8, M8X35
10	322358	2	WASHER, LOCK, {PP:80322358} Belleville, M8,
11	382974	2	SLEEVE, {PP:80382974}
12	443434	1	WASHER, {PP:80443434}
13	84007578	1	SUPPORT,
14	100033	1	NUT, {PP:80100033} Thin, M24 x 1.5, CI 04, M24
15	9513732	1	SENSOR, {PP:89513732}
16	100067	1	NUT, {PP:80100067} M8 x 1.25", CI 8, M8
17	84017374	1	BUSHING,
18	84017373	1	BEARING ASSY,
19	412479	1	SCREW, {PP:80412479} Hex, M8 x 35, 8.8, M8X35

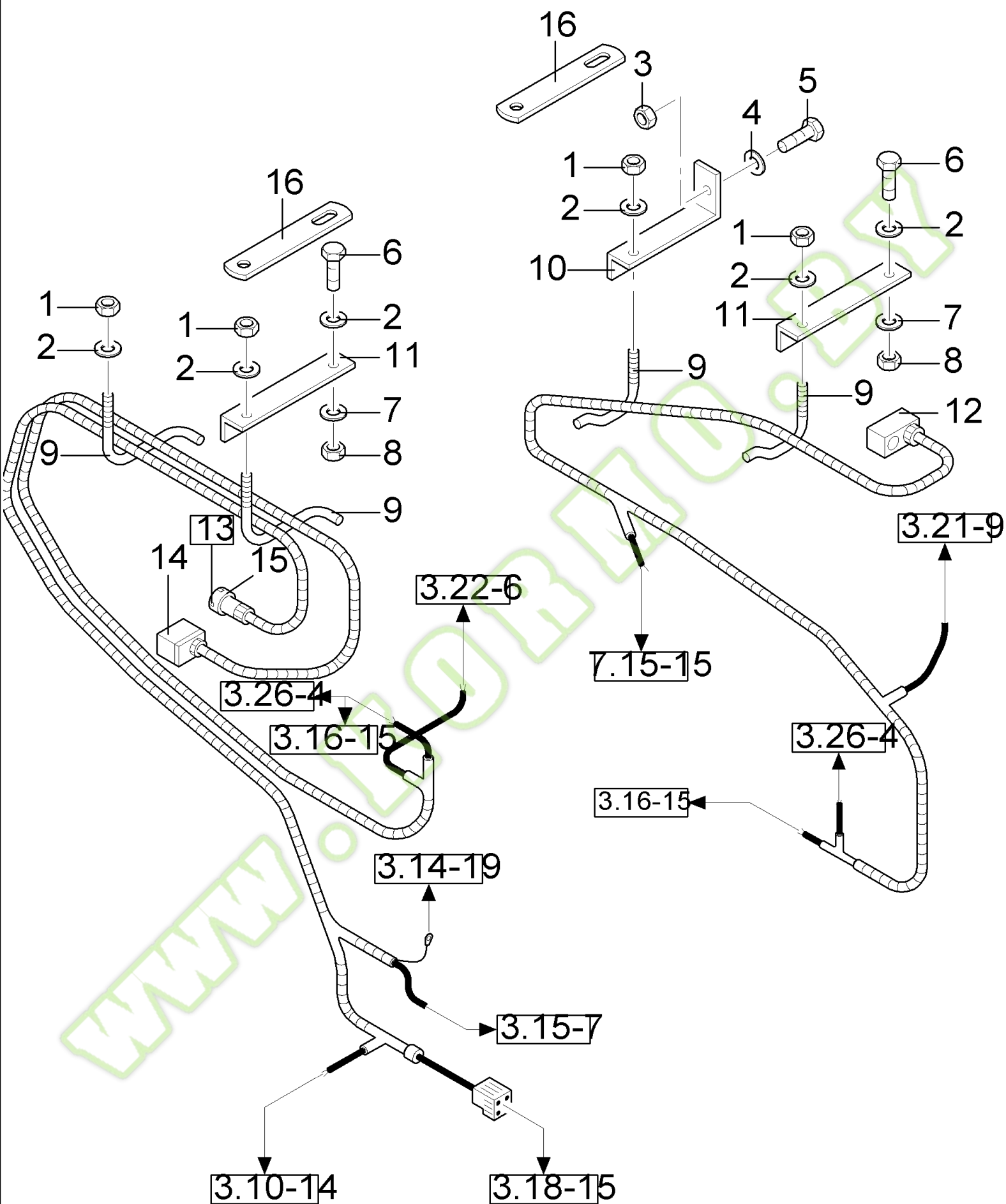


## FX375 NH SELF PROPELLED FORAGE HARVESTER - YELLOW VERSION

## 07.16(01) ELECTRIC WIRING: STEERING PLATFORM

Ref	Part Number	Qty	Description
1	84001861	1	HARNESS, WIRE, , -C0413
1	84052142	1	HARNESS, WIRE, , -C0002
1	84057130	1	HARNESS, WIRE, , D5053-
2	84019207	1	RING,
3	84019073	1	CONNECTOR, HYD.,
4	84019074	2	RING,
5	84018932	1	CONNECTOR, HYD.,
6	412625	6	SCREW, {PP:80412625} Cross Pan Hd, M5 x 25, M5X25
7	322356	9	WASHER, LOCK, {PP:80322356}
9	412658	6	SCREW, {PP:80412658} Cross Pan Hd, M4 x 40, M4X40
10	322355	6	WASHER, LOCK, {PP:80322355} Belleville, M4, 4MM
11	100012	6	NUT, {PP:80100012} M4, CI 8, M4
12	398224	2	SOCKET, POWER, {PP:80398224}
13	84001789	1	HARNESS, WIRE, , -C5052
13	84057132	1	HARNESS, WIRE, , D5053-
14	84022437	2	NUT,
15	84022438	2	WASHER, LOCK,
16	84022440	2	CONNECTOR, HYD.,
17	84022441	1	RING,
18	84018930	1	CONNECTOR,
19	84001790	1	HARNESS, WIRE, , -C5052
19	84057141	1	HARNESS, WIRE,
20	84015627	1	SCREW, M5X35
21	84007466	1	CONNECTOR,
22	46288	2	GROMMET, {PP:80046288}
8	100013	9	NUT, {PP:80100013} M4, CI 8, M5

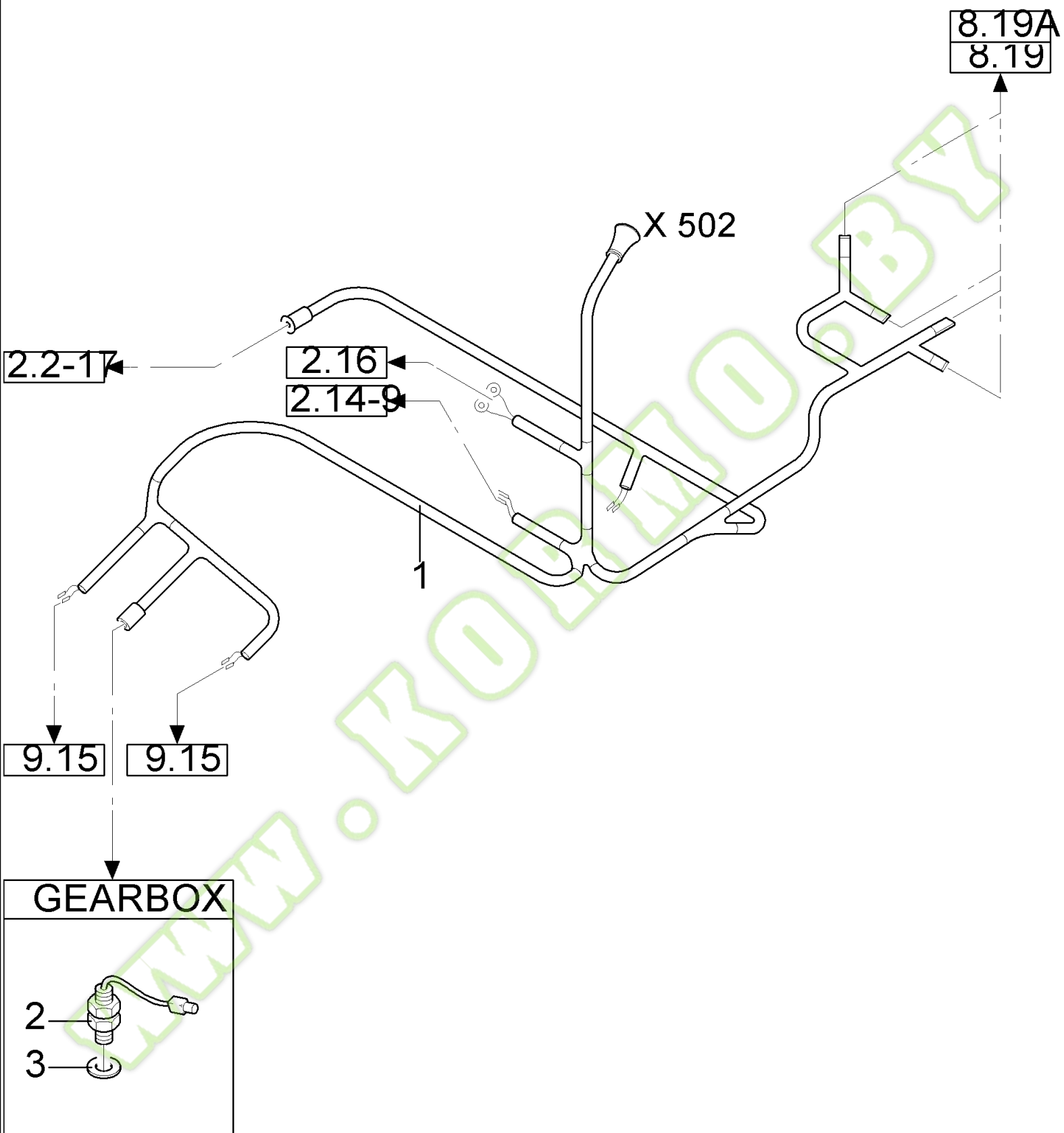




## FX375 NH SELF PROPELLED FORAGE HARVESTER - YELLOW VERSION

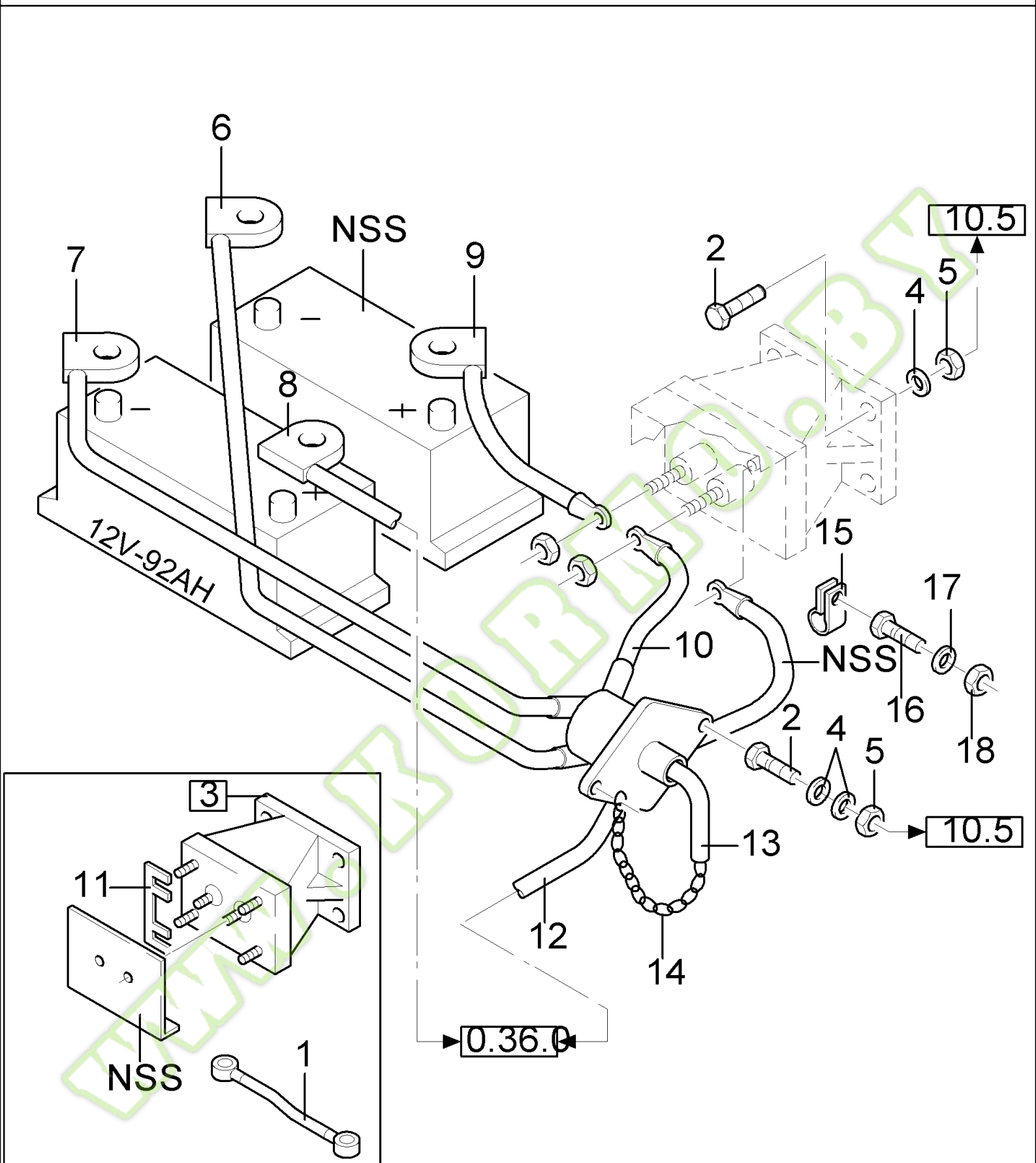
## 07.17(01) CUTTERHEAD: ELECTRIC WIRING

Ref	Part Number	Qty	Description
1	9635082	8	NUT, {PP:89635082} 5/16"-18, G5, G5, 5/16"-18, D0600-
1	9635082	8	NUT, {PP:89635082} 5/16"-18, G5, G5, 5/16"-18, -C0405
2	322358	6	WASHER, LOCK, {PP:80322358} Belleville, M8, 8MM
3	353308	1	NUT, {PP:80353308} M6 x 1, CI 8, M6
4	322357	1	WASHER, LOCK, {PP:80322357} Belleville, M6, Belleville, M6
5	120100	1	BOLT, {PP:80120100} Hex, M6 x 20, 8.8, M6X20, -C0412
5	120101	1	SCREW, {PP:80120101} Hex, M6 x 30, 8.8, Full Thd, M6X30, D1300-
6	80120104	2	SCREW, M8X20
7	412328	2	WASHER, {PP:80412328} 8MM
8	100067	2	NUT, {PP:80100067} M8 x 1.25", CI 8, M8
9	719665	4	RETAINER, {PP:80719665}
10	80446448	1	SUPPORT, , -C0412
11	458491	2	SUPPORT, {PP:80458491}
12	84001787	1	HARNESS, WIRE, , -C0412
12	84035545	1	HARNESS, WIRE, , D1300-
13	84001892	1	HARNESS, WIRE, (15), -C0412
13	84035544	1	HARNESS, WIRE, (15), D1300-
14	84001785	1	HARNESS, WIRE, , -C0412
14	84035541	1	HARNESS, WIRE, , D1300-
15	84007467	1	CONNECTOR, HYD.,
16	84043290	2	PLATE, , D1300-



Ref	Part Number	Qty	Description
1	84001783	1	HARNESS, WIRE, , -C0413
1	84052140	1	HARNESS, WIRE, , -C1432
1	84057101	1	HARNESS, WIRE, , D3300-
2	84038795	1	SENSOR,
3	355607	1	RING, {PP:80355607}

WWW.KORMO.BY

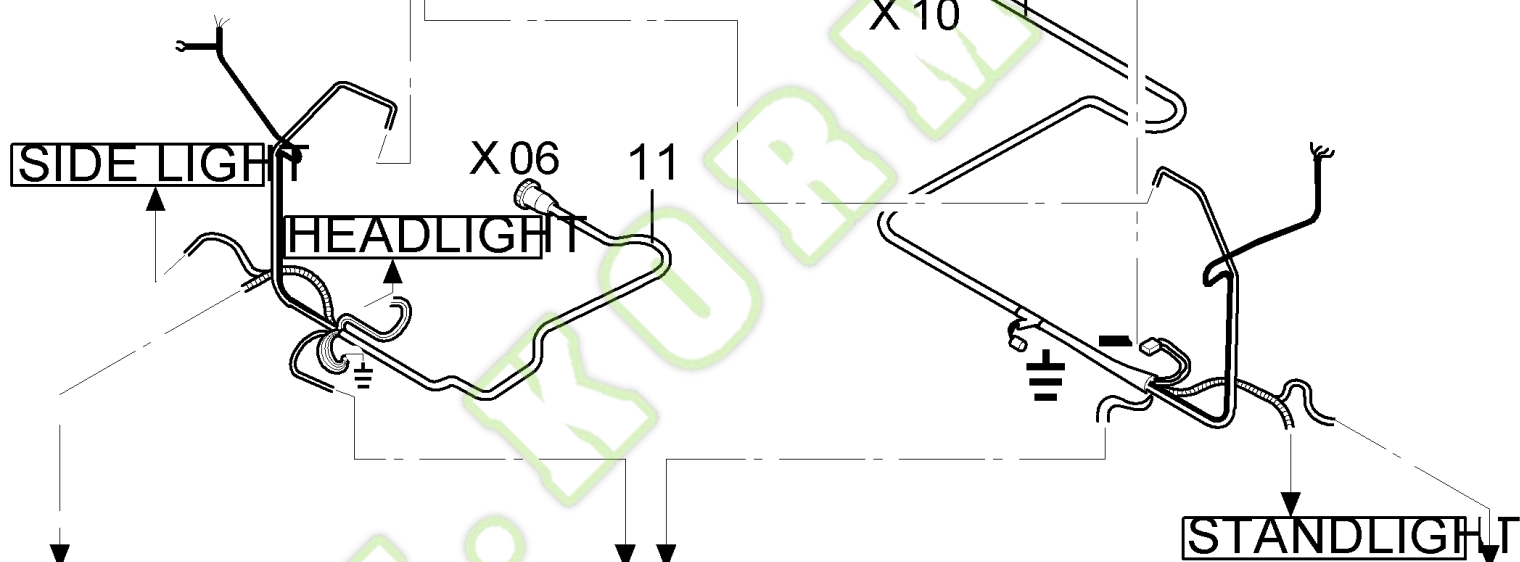
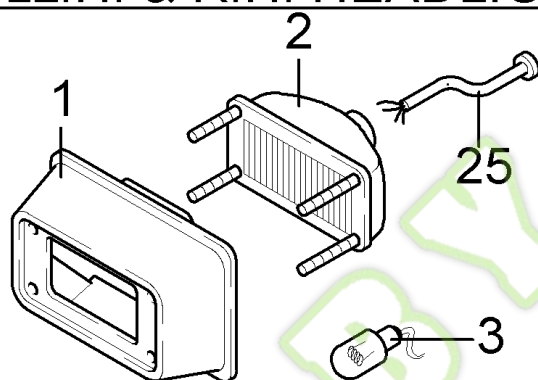
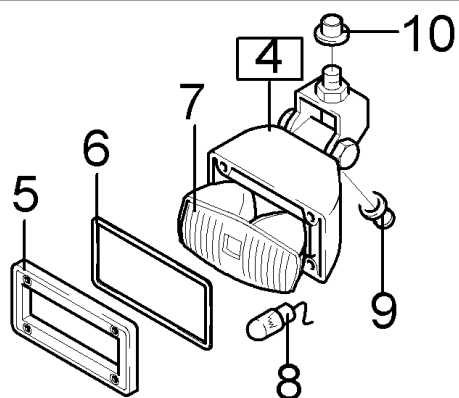


## FX375 NH SELF PROPELLED FORAGE HARVESTER - YELLOW VERSION

## 07.19(01) ELECTRIC WIRING: BATTERY

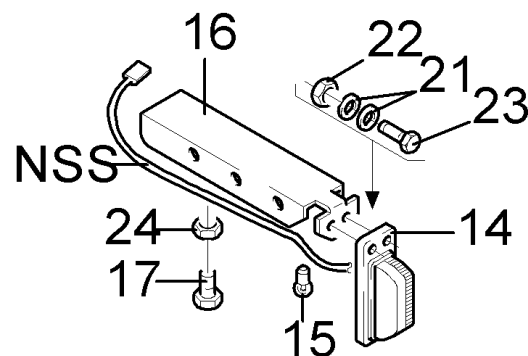
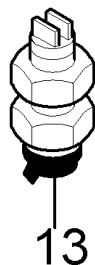
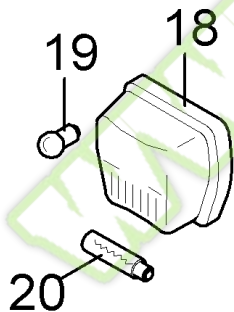
Ref	Part Number	Qty	Description
1	84018354	1	CABLE,
2	43127	6	BOLT, {PP:80043127} Hex, M8 x 25, 8.8, M8X25
3	389120	1	SWITCH, ASSY, (1,11)
4	322358	8	WASHER, LOCK, {PP:80322358} Belleville, M8, 8MM
5	100015	6	NUT, {PP:80100015} M8, CI 8, M8
6	84017832	1	CABLE, ELECTRIC,
7	84017831	1	CABLE, ELECTRIC,
8	84017830	1	CABLE, ELECTRIC,
9	84017829	1	CABLE, ELECTRIC,
10	84017834	1	CABLE, ELECTRIC,
11	420580	4	PLATE, {PP:80420580} Fuse, 80 Amp
12	84004377	1	CABLE, ELECTRIC,
13	84005283	1	KEY, LOCK,
14	539289	1	CHAIN, {PP:80539289}
15	418407	1	CLAMP, {PP:80418407}
16	120100	1	BOLT, {PP:80120100} Hex, M6 x 20, 8.8, M6X20
17	322357	1	WASHER, LOCK, {PP:80322357} Belleville, M6, Belleville, M6
18	9706755	1	NUT, {PP:89706755} M6, CI 8, M6

**WORKLIGHTS ON PLATFORM FENCEL.H. & R.H. HEADLIGHTS**



**L.H. & R.H. STAND LIGHT CONNECTOR**

**L.H. & R.H. ADDITIONAL SIDE LIGHT**

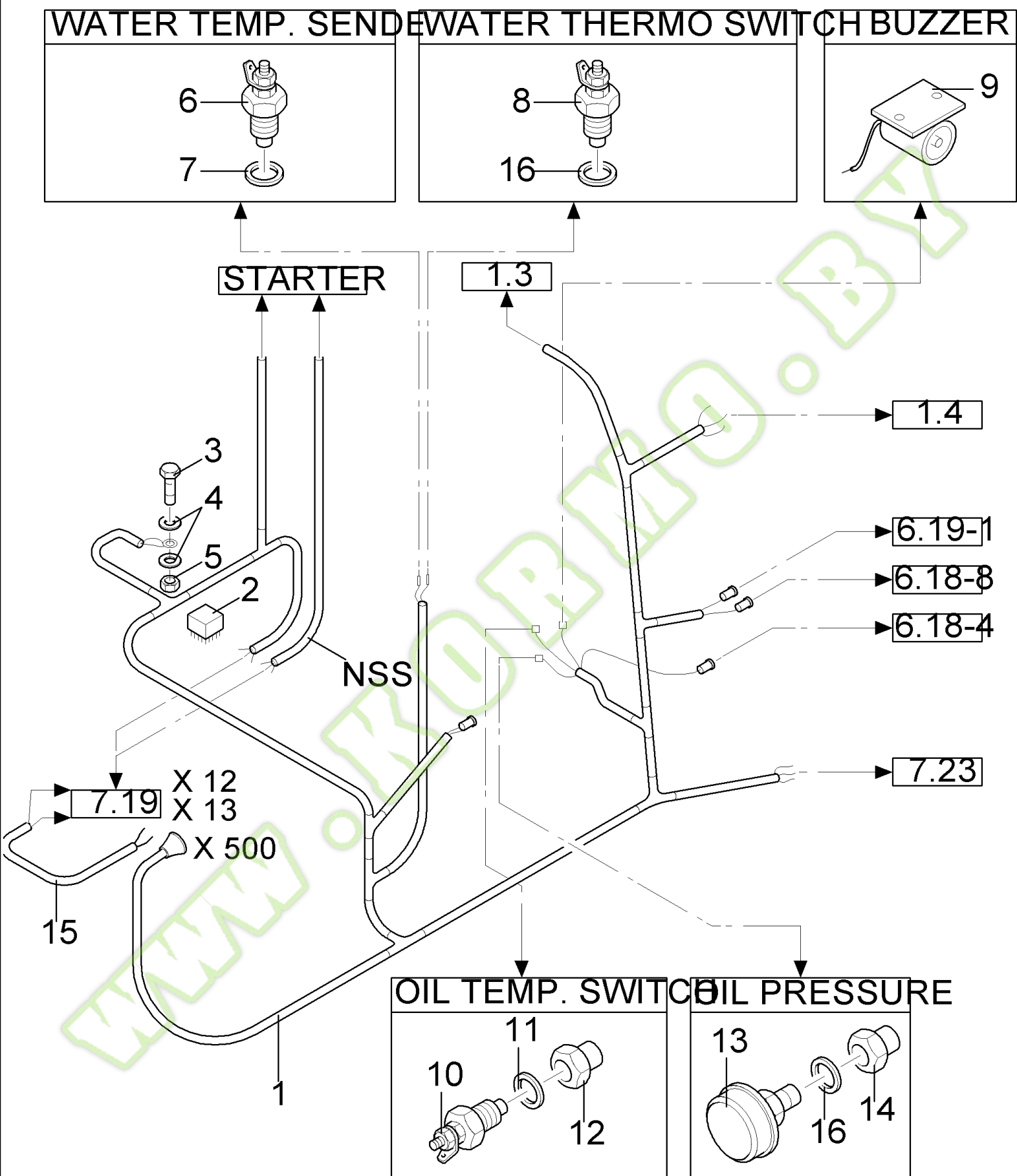


## FX375 NH SELF PROPELLED FORAGE HARVESTER - YELLOW VERSION

## 07.20(01) FRONT ILLUMINATION AND HARNESSSES

Ref	Part Number	Qty	Description
1	9819959	2	ARMATURE, {PP:89819959}
2	434926	2	HEADLAMP, {PP:80434926}
2	445490	2	HEADLAMP, {PP:80445490} , FOR U.K. ONLY
3	446592	2	BULB, {PP:80446592}
4	9813938	1	LAMP, {PP:89813938} (5 TO 10)
5	9832589	1	COVER, {PP:89832589}
6	9832590	1	SEAL, {PP:89832590}
7	9832591	1	REFLECTOR, LAMP, {PP:89832591}
8	9703399	2	HEADLAMP, 12V - 55 WATT
9	9832592	1	BUSHING, RUBBER, {PP:89832592}
10	433314	2	PLUG, {PP:80433314}
11	84001779	1	HARNESS, WIRE, RH, -C5052
11	84057140	1	HARNESS, WIRE, RH, D5053-
12	84001778	1	HARNESS, WIRE, LH, -C5052
12	84057134	1	HARNESS, WIRE, LH, D5053-
13	374418	2	SOCKET, POWER, {PP:80374418}
14	449531	2	LAMP, {PP:80449531}
15	353078	2	BULB, {PP:80353078}
16	84000884	2	SUPPORT,
17	120113	2	BOLT, {PP:80120113} Hex, M10 x 50, 8.8, Full Thd, M10X50
18	418871	2	LAMP, {PP:80418871}
19	398877	2	BULB, {PP:80398877}
20	470017	2	BULB, {PP:80470017}
21	322357	8	WASHER, LOCK, {PP:80322357} Belleville, M6, Belleville, M6
22	9706755	4	NUT, {PP:89706755} M6, CI 8, M6
23	80120099	4	SCREW, Hex, M6 x 16, 8.8, M6X16
24	100016	2	NUT, {PP:80100016} M10, CI 8, M10
25	84001872	1	HARNESS, WIRE,

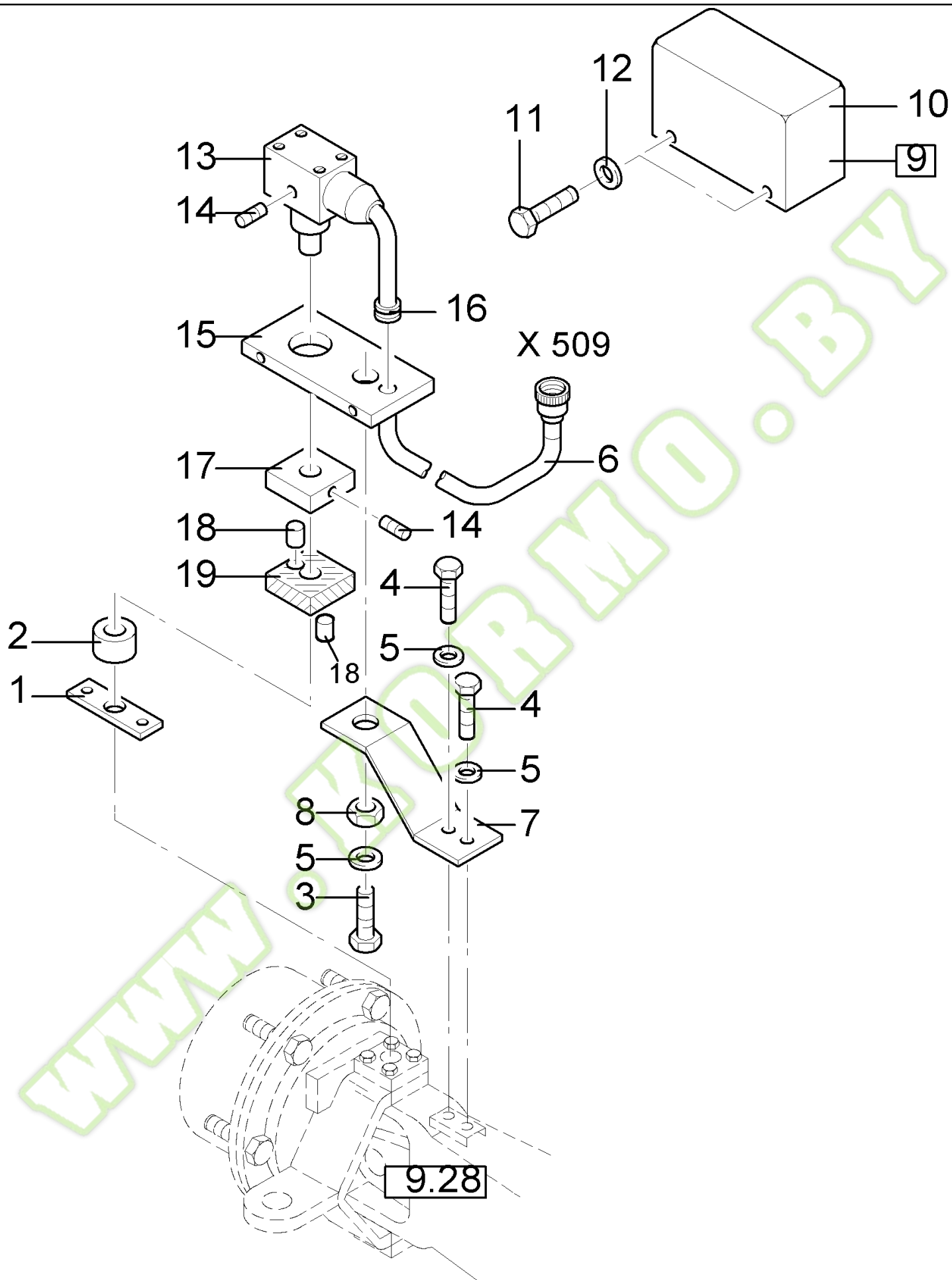




## FX375 NH SELF PROPELLED FORAGE HARVESTER - YELLOW VERSION

## 07.21(01) ELECTRIC WIRING: ENGINE

Ref	Part Number	Qty	Description
1	84001784	1	HARNESS, WIRE, , -C0413
1	84052141	1	HARNESS, WIRE, , -C0002
1	84057102	1	HARNESS, WIRE, , D5053-
2	84000651	1	RELAY,
3	120101	1	SCREW, {PP:80120101} Hex, M6 x 30, 8.8, Full Thd, M6X30
4	322357	1	WASHER, LOCK, {PP:80322357} Belleville, M6, Belleville, M6
5	9706755	1	NUT, {PP:89706755} M6, CI 8, M6
6	80354834	1	SENDER UNIT, , -C5069
6	84053664	1	SENDER UNIT, , D5070-
7	220049	1	GASKET, {PP:80220049}, -C5069
8	84031916	1	SWITCH, THERMOSTATIC,
9	84017783	1	BUZZER,
10	84031915	1	SENDER UNIT,
11	220104	1	RING, {PP:80220104}, -C0432
12	84015935	1	CONNECTOR, HYD.,
13	84021583	1	SWITCH, PRESSURE, , -C0432
13	84053657	1	SWITCH, PRESSURE, , D3300-
14	84015936	1	CONNECTOR, HYD.,
15	84001782	1	HARNESS, WIRE, , -C5052
15	84057100	1	HARNESS, WIRE, , D5053-
16	220049	2	GASKET, {PP:80220049}, -C0432

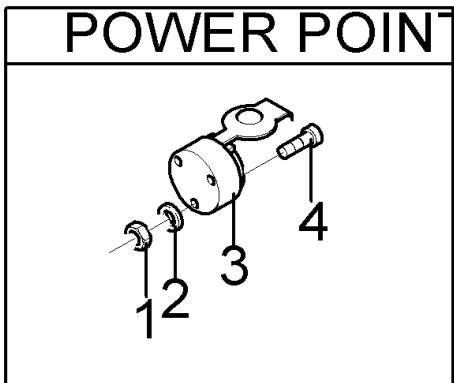


## FX375 NH SELF PROPELLED FORAGE HARVESTER - YELLOW VERSION

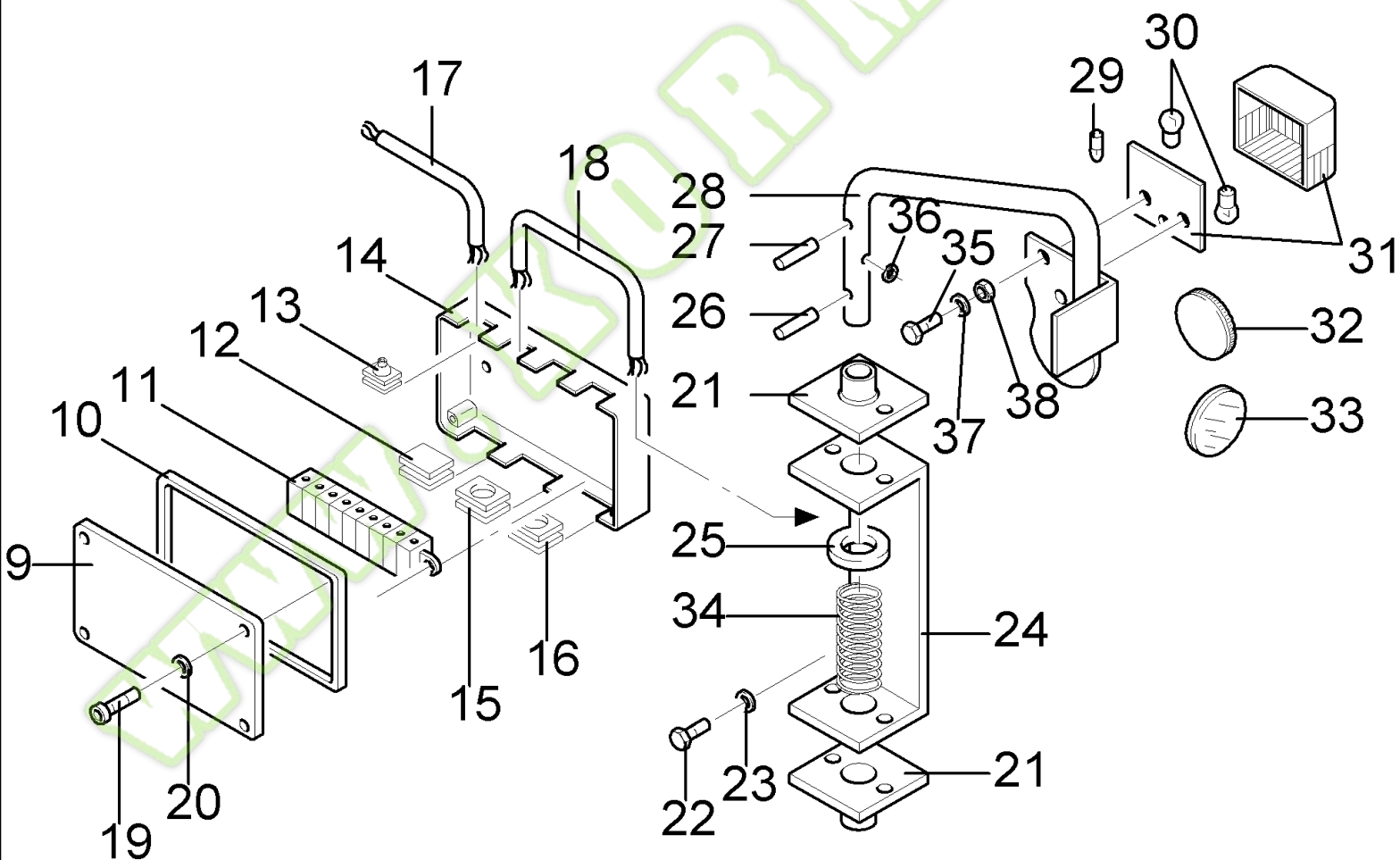
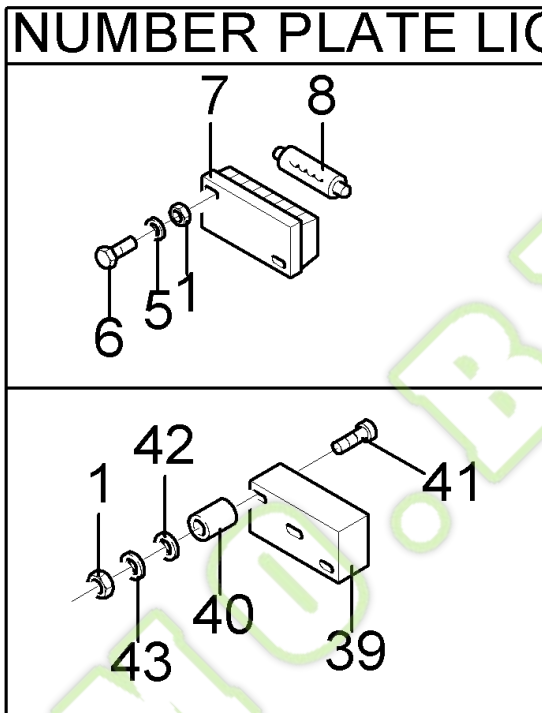
07.22(01) INDICATOR "AUTOPILOT"

Ref	Part Number	Qty	Description
1	84012750	1	BRACKET, , FOR 4WD ONLY
2	84019470	1	BUSHING, , FOR 2WD ONLY
3	120038	1	BOLT, {PP:80120038} Short NK, M8 x 30, CI8.8, Full Thd, M8X30
4	43127	2	BOLT, {PP:80043127} Hex, M8 x 25, 8.8, M8X25
5	322358	3	WASHER, LOCK, {PP:80322358} Belleville, M8, 8MM
6	84001870	1	HARNESS, WIRE, , -C5052
6	84057105	1	HARNESS, WIRE, , D5053-
7	84012751	1	SUPPORT, , FOR 4WD ONLY
7	84019471	1	SUPPORT, , FOR 2WD ONLY
8	100015	1	NUT, {PP:80100015} M8, CI 8, M8
9	84019469	1	ELECTRONIC UNIT, CONTROL, (10,19)
10	89815542	1	COVER,
11	80378056	4	SCREW, M6X10
12	322357	4	WASHER, LOCK, {PP:80322357} Belleville, M6, Belleville, M6
13	89815543	1	SENSOR,
14	84012755	3	SCREW, Hex Soc, M6 x 5, M6X6
15	89815545	1	PLATE,
16	89815544	1	GUIDE,
17	84012753	1	RING,
18	84012756	4	PIN, M4 x 16, Slotted,
19	84012752	1	RING,

POWER POINT



NUMBER PLATE LIGHT



## FX375 NH SELF PROPELLED FORAGE HARVESTER - YELLOW VERSION

## 07.23(01) REAR LIGHTS

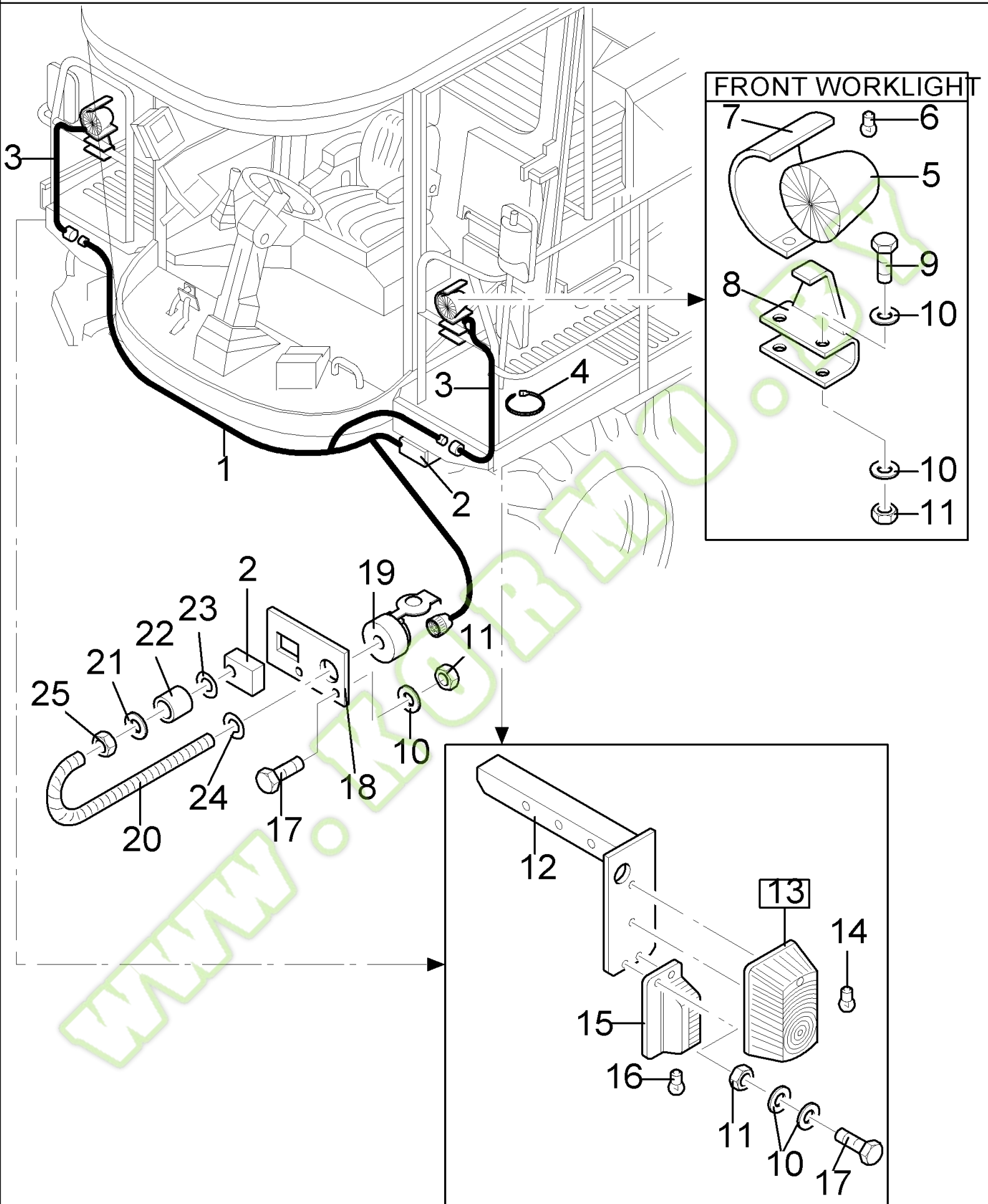
Ref	Part Number	Qty	Description
1	100012	AR	NUT, {PP:80100012} M4, CI 8, M4
2	322355	3	WASHER, LOCK, {PP:80322355} Belleville, M4, 4MM
3	398224	1	SOCKET, POWER, {PP:80398224}
4	412658	3	SCREW, {PP:80412658} Cross Pan Hd, M4 x 40, M4X40
5	140013	2	WASHER, {PP:80140013} M4, 4MM
6	120202	2	SCREW, {PP:80120202} Cross Pan Hd, M4 x 30, M4X30
7	445502	1	LAMP, {PP:80445502}
8	470017	1	BULB, {PP:80470017} 12V/5W
9	9506872	1	COVER, {PP:89506872}
10	9506873	1	ELEMENT, SEALING, {PP:89506873}
11	433132	1	CONNECTOR, HYD., {PP:80433132}
12	9508323	1	PLUG, {PP:89508323}
13	9504337	4	PLUG, {PP:89504337}
14	9507881	1	HOUSING, {PP:89507881}
15	9504343	1	PLUG, {PP:89504343}
16	9504340	1	STOP, {PP:89504340}, -C0404
17	84001792	1	HARNESS, WIRE, LH, -C0409
17	84002981	1	HARNESS, WIRE, LH, D1000-
18	84001793	1	HARNESS, WIRE, RH, -C0409
18	84002982	1	HARNESS, WIRE, RH, D1000-
19	120014	4	SCREW, {PP:80120014} Cross Pan Hd, M6 x 20, M6X20
20	140045	4	WASHER, LOCK, {PP:80140045} Belleville, M10,
21	921928	4	RING, {PP:80921928}
23	322358	8	WASHER, LOCK, {PP:80322358} Belleville, M8, 8MM
24	9814947	2	SUPPORT, {PP:89814947}
25	378248	2	WASHER, {PP:80378248}
26	84022829	2	PIN,
27	9503523	2	PIN, {PP:89503523}
28	84018942	1	SUPPORT, LH, -C0409
28	84018943	1	SUPPORT, RH, -C0409
28	84038043	1	SUPPORT, LH, D1000-
28	84038045	1	SUPPORT, RH, D1000-
29	418870	2	BULB, {PP:80418870}
30	398877	4	BULB, {PP:80398877}
31	434928	1	LAMP, {PP:80434928} RH, -C0409
31	445631	1	LAMP, {PP:80445631} LH, -C0409
31	84037090	2	LAMP, , D1000-
38	100013	4	NUT, {PP:80100013} M4, CI 8, , D1000-
32	437024	AR	REFLECTOR, LAMP, {PP:80437024} RED
33	435895	AR	REFLECTOR, LAMP, {PP:80435895} YELLOW
34	435967	2	SPRING, {PP:80435967}
35	120007	4	SCREW, {PP:80120007} Cross Pan Hd, M4 x 16, M4X16, -C0409
35	120010	4	SCREW, {PP:80120010} M4X16, D1000-
36	411809	2	GROMMET, {PP:80411809}
37	140013	4	WASHER, {PP:80140013} M4, 4MM, -C0409

## FX375 NH SELF PROPELLED FORAGE HARVESTER - YELLOW VERSION

## 07.23(01) REAR LIGHTS

Ref	Part Number	Qty	Description
37	322356	4	WASHER, LOCK, {PP:80322356} , D1000-
38	100012	4	NUT, {PP:80100012} M4, CI 8, M4, -C0409
39	84039003	1	BUSHING,
40	441370	2	BUSHING, {PP:80441370}
41	412473	2	SCREW, {PP:80412473}
42	335872	2	WASHER, {PP:80335872}
43	322355	2	WASHER, LOCK, {PP:80322355} Belleville, M4,
22	16043224	8	SCREW, Hex, M8 x 16, 8.8, Full Thd, M8X16

WWW.KORMO.BY

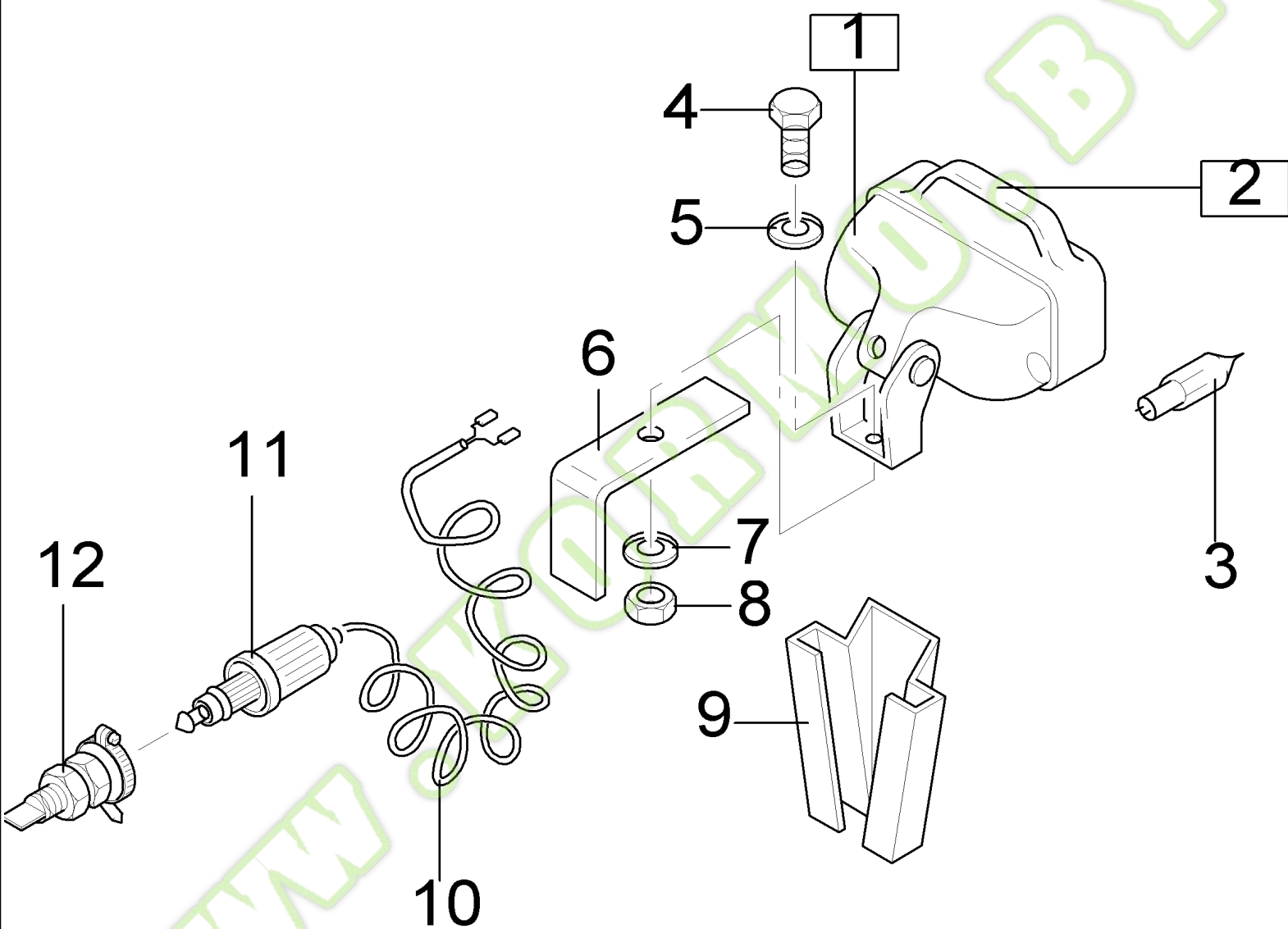




## FX375 NH SELF PROPELLED FORAGE HARVESTER - YELLOW VERSION

## 07.24(01) ILLUMINATION KIT

Ref	Part Number	Qty	Description
1	84035114	1	HARNESS, WIRE,
2	84018930	2	CONNECTOR,
3	84035126	2	HARNESS, WIRE,
5	418863	2	LAMP, {PP:80418863}
6	446592	2	BULB, {PP:80446592}
7	84039151	2	PLATE, COVER,
8	84039152	2	BRACKET,
9	80120102	4	SCREW, M6X40
10	322357	18	WASHER, LOCK, {PP:80322357} Belleville, M6, Belleville, M6
11	9706755	10	NUT, {PP:89706755} M6, CI 8, M6
12	84007957	2	SUPPORT,
13	84011215	1	LAMP ASSY, SIDE, RH
13	84011216	1	LAMP ASSY, SIDE, LH
14	398877	2	BULB, {PP:80398877} 12V/21W
15	449531	2	LAMP, {PP:80449531}
16	353078	2	BULB, {PP:80353078}
17	80120099	6	SCREW, Hex, M6 x 16, 8.8, M6X16
18	84039153	1	SUPPORT,
19	398224	1	SOCKET, POWER, {PP:80398224}
20	84035127	1	HARNESS, WIRE,
21	84022438	1	WASHER, LOCK,
22	84022440	1	CONNECTOR, HYD.,
23	84022441	1	RING,
24	46288	1	GROMMET, {PP:80046288}
25	84022437	1	NUT,
4	323597	14	STRAP, {PP:80323597}

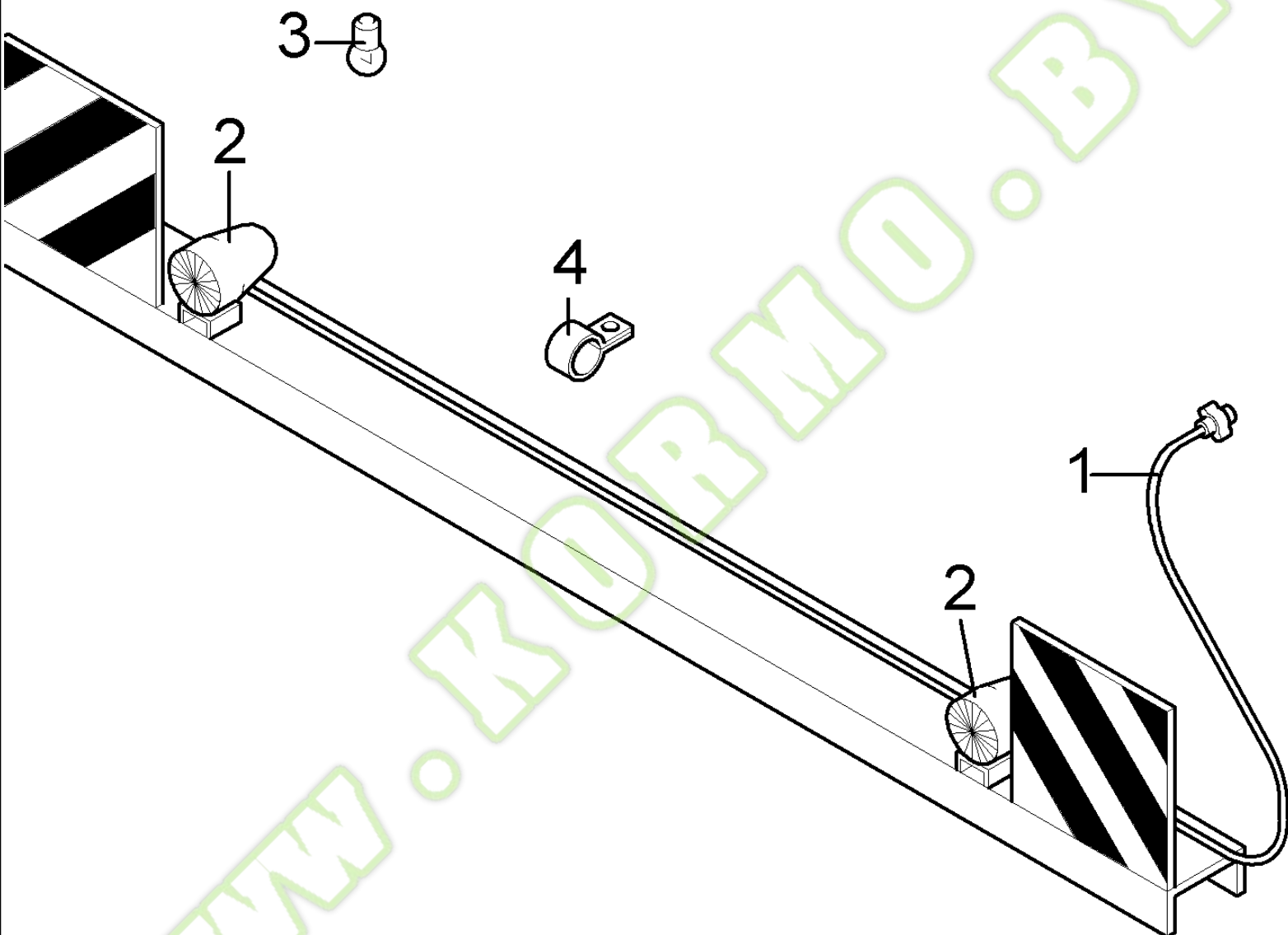


## FX375 NH SELF PROPELLED FORAGE HARVESTER - YELLOW VERSION

## 07.25(01) REAR WORK LIGHT

Ref	Part Number	Qty	Description
1	84004176	1	LAMP, WORK,
2	9837140	1	LAMP, {PP:89837140} (3)
3	9703399	AR	HEADLAMP, 12V/55W
4	80120104	2	SCREW, M8X20
5	378243	2	WASHER, {PP:80378243}
6	9813909	1	SUPPORT, {PP:89813909}
7	322358	2	WASHER, LOCK, {PP:80322358} Belleville, M8,
8	100015	2	NUT, {PP:80100015} M8, CI 8, M8
9	9837606	1	CLIP, {PP:89837606}
10	264517	1	HARNES, WIRE, {PP:80264517}
11	353969	1	CONNECTOR, {PP:80353969}
12	374418	1	SOCKET, POWER, {PP:80374418}

WWW.KORMO.BY



## 07.26(01) ILLUMINATION KIT

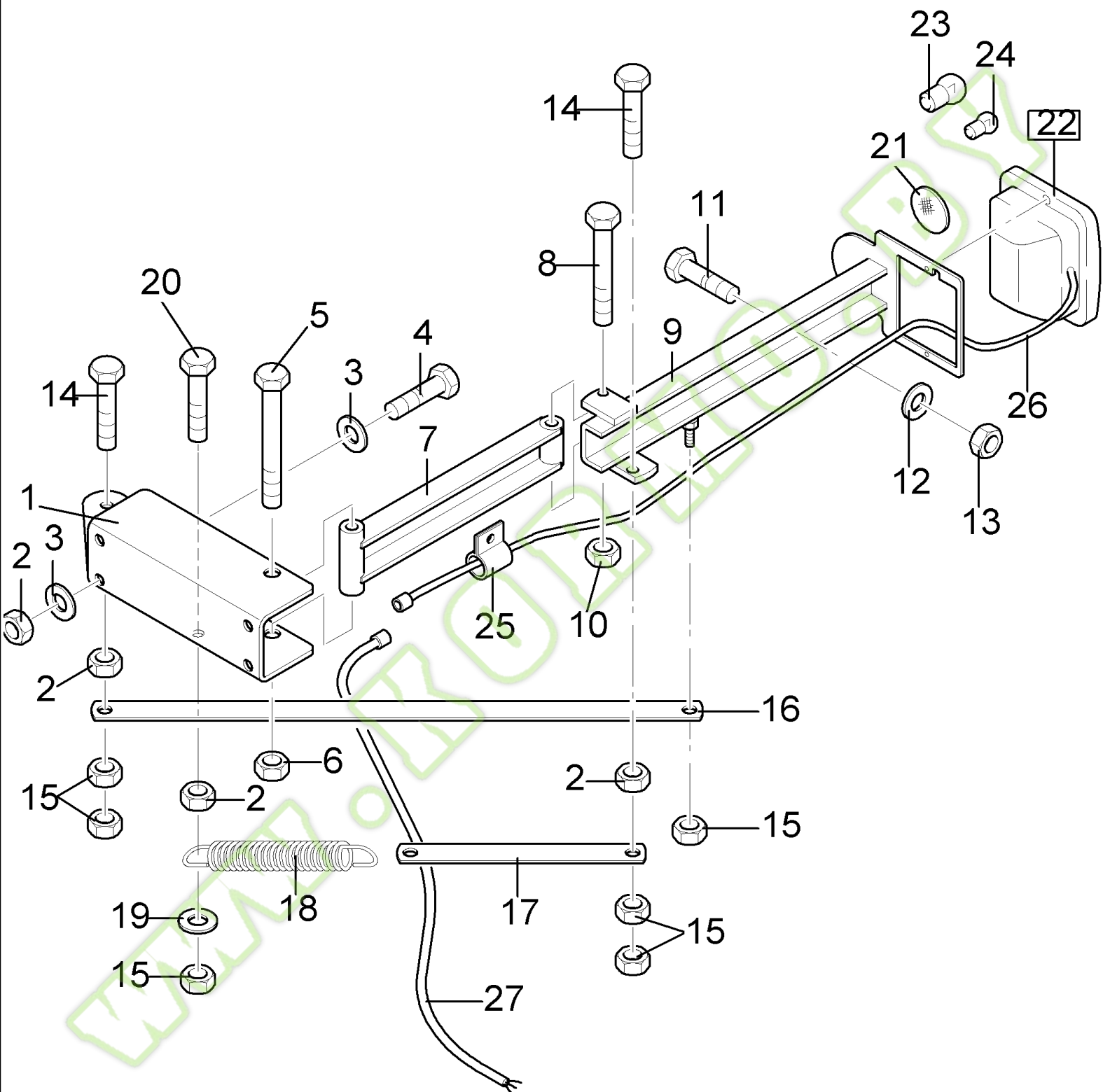
Ref	Part Number	Qty	Description
1	84035134	1	HARNESS, WIRE,
2	418863	2	LAMP, {PP:80418863}
3	446592	2	BULB, {PP:80446592}
4	9503929	8	CLAMP, {PP:89503929}

WWW.KORMO.BY

FOR ITALY ONLY



07.27(01) REAR LIGHTS



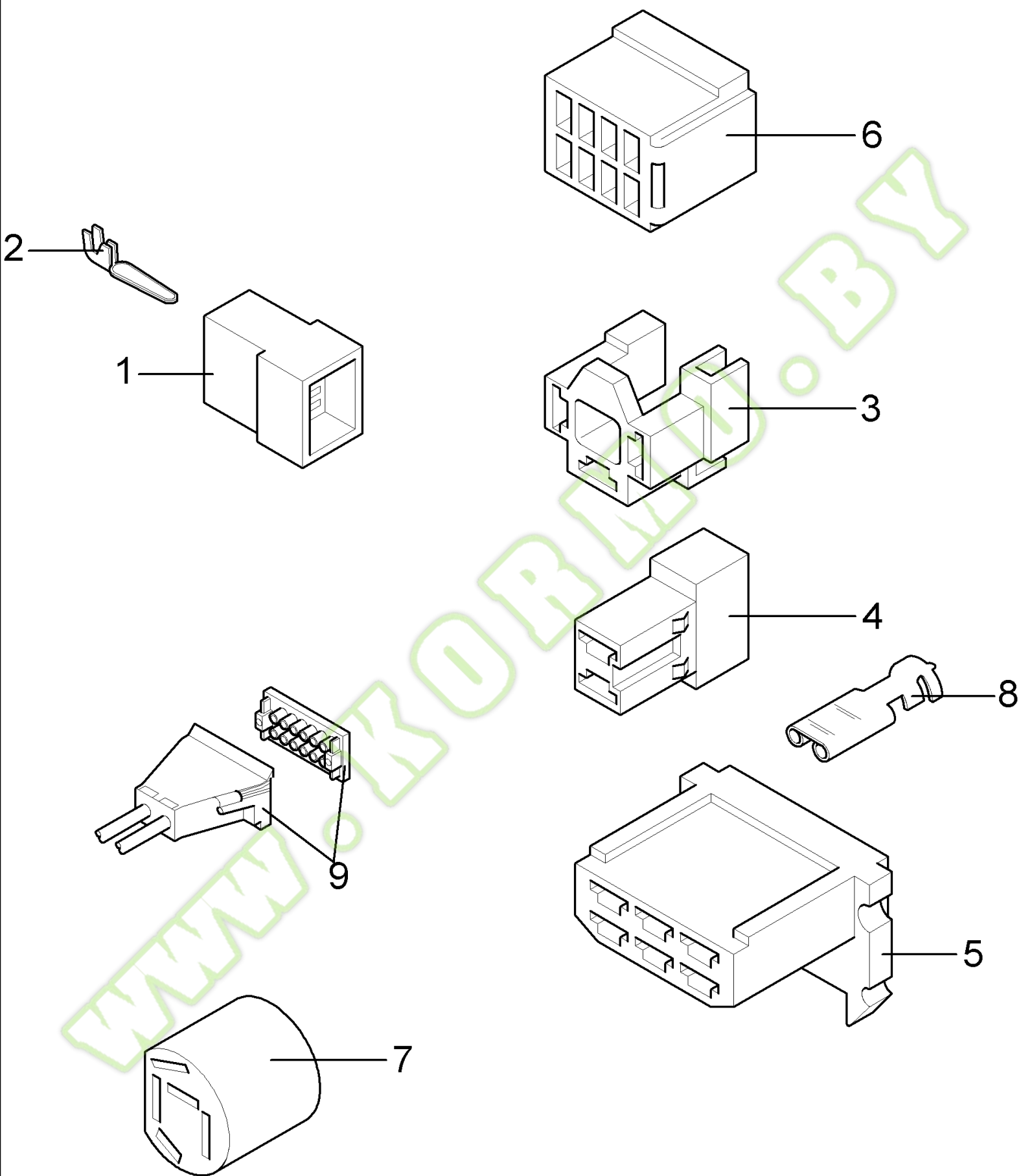
## FX375 NH SELF PROPELLED FORAGE HARVESTER - YELLOW VERSION

## 07.27(01) REAR LIGHTS

Ref	Part Number	Qty	Description
1	84041238	1	SUPPORT,
2	100015	6	NUT, {PP:80100015} M8, CI 8, M8
3	322358	8	WASHER, LOCK, {PP:80322358} Belleville, M8, 8MM
4	120106	4	SCREW, {PP:80120106} Hex, M8 x 40, 8.8, Full Thd, Hex, M8 x 40, 8.8, Full Thd
5	80309308	1	SCREW, M12X120
6	100038	1	NUT, LOCK, {PP:80100038} M12 x 1.75, CI 8, M12
7	84041244	1	SUPPORT,
8	120072	1	SCREW, {PP:80120072} Hex, M10 x 70, 8.8, M10X70
9	84041239	1	SUPPORT,
10	100037	1	NUT, {PP:80100037} M10 x 1.5, CI 8, M10
11	916454	1	DAMPER, {PP:80916454}
12	322357	1	WASHER, LOCK, {PP:80322357} Belleville, M6, Belleville, M6
13	9706755	1	NUT, {PP:89706755} M6, CI 8, M6
14	120060	2	SCREW, {PP:80120060} Hex, M8 x 50, 8.8, M8X50
15	100067	6	NUT, {PP:80100067} M8 x 1.25", CI 8, M8
16	84041249	1	SUPPORT,
17	84041248	1	SUPPORT,
18	84014792	1	SPRING,
19	378243	1	WASHER, {PP:80378243} 8MM
20	43128	1	SCREW, {PP:80043128} Hex, M8 x 30, 8.8, Cap, HH, CL 8.8, M8 x 1.25 x 30
21	437024	1	REFLECTOR, LAMP, {PP:80437024}
22	84041302	1	LAMP, (23,24)
23	418870	1	BULB, {PP:80418870} TAILLIGHT 10W
24	398877	1	BULB, {PP:80398877} STOPLIGHT 21W
25	9503928	4	CLAMP, {PP:89503928}
26	84035084	1	HARNESS, WIRE,
27	84035294	1	HARNESS, WIRE, , FOR STANDARD LIGHT ONLY

FOR GERMANY ONLY

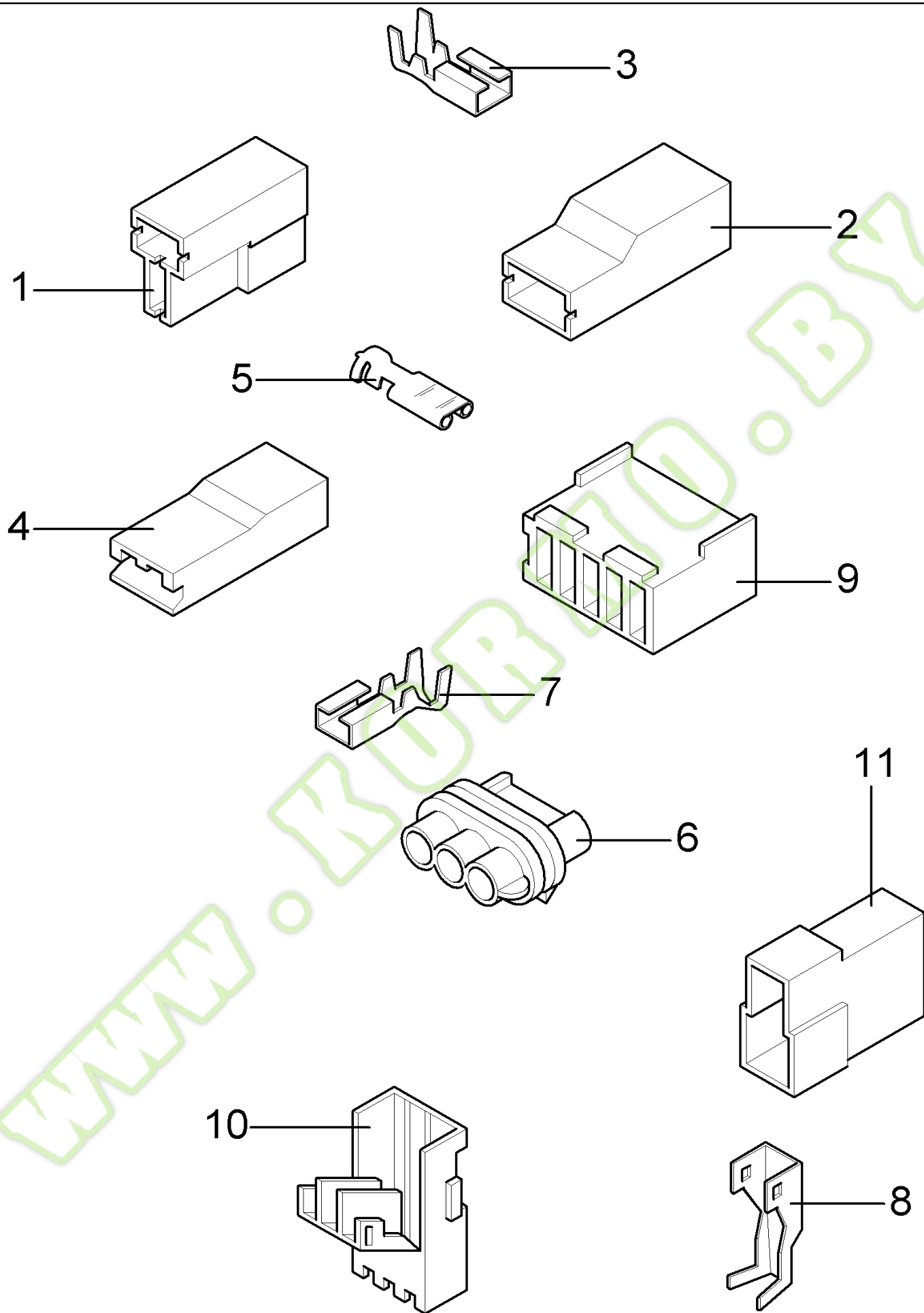






## 07.28(01) TERMINALS AND TERMINAL CONNECTORS

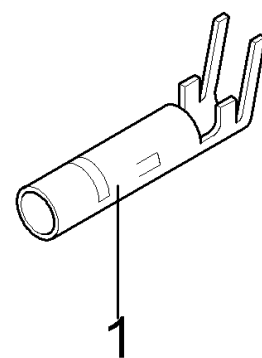
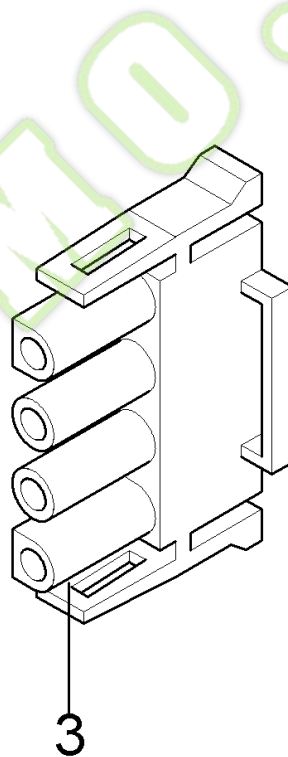
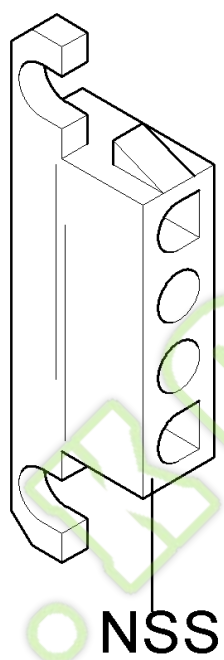
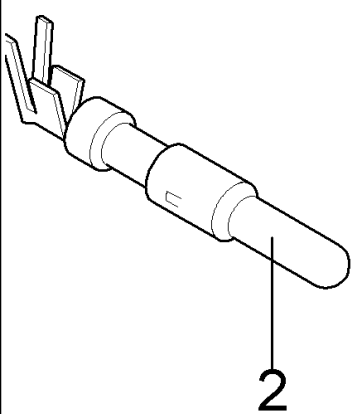
Ref	Part Number	Qty	Description
1	334699	AR	TERMINAL, {PP:80334699} 2-WH-M
2	334724	AR	TERMINAL, {PP:80334724} M 0.8-2.5
3	751307	AR	TERMINAL, {PP:80751307} 2-CL-M
4	334589	AR	CONNECTOR, WIRE, {PP:80334589} 1-WH-F
4	334698	AR	CONNECTOR, {PP:80334698} 2-WH-F
4	84015523	AR	CONNECTOR, F-2WT-V
5	334595	AR	TERMINAL, {PP:80334595} 6-WH-F
6	9503638	AR	CONNECTOR, WIRE, {PP:89503638} 8-BL-F
6	9503639	AR	CONNECTOR, WIRE, {PP:89503639} 2-BL-F
7	9850818	AR	TERMINAL, {PP:89850818} 5-BK-F
8	334588	AR	TERMINAL, {PP:80334588} F 1.0-2.5
8	334594	AR	TERMINAL, {PP:80334594} F 4-6
8	751308	AR	TERMINAL, {PP:80751308} F, FLAG TYPE
9	84018931	AR	CONNECTOR, P12
9	84018933	AR	CONNECTOR, T17



## 07.29(01) TERMINALS AND TERMINAL CONNECTORS

Ref	Part Number	Qty	Description
1	446133		AR CONNECTOR, {PP:80446133} 2-BK-F
2	441159		AR CONNECTOR, WIRE, {PP:80441159} 1-BK-F
3	441166		AR TERMINAL, {PP:80441166} M 0.7-2
3	441167		AR TERMINAL, {PP:80441167} M 2.5-4
3	919415		AR TERMINAL, {PP:80919415} M 4-6
4	350674		AR CONNECTOR, WIRE, {PP:80350674}
5	430026		AR TERMINAL, {PP:80430026} 1-2.5
5	84018980		AR CONNECTOR, 0.5-1.5
6	84000181		AR TERMINAL, 3-BK-F
7	84000182		AR TERMINAL, 1-2
8	84007052		AR TERMINAL,
9	84007631		AR TERMINAL, 5-BK-M
10	84007053		AR CONNECTOR, WIRE, 3-BK
11	84038366		AR CONNECTOR, WIRE,

WWW.KORMO.BY

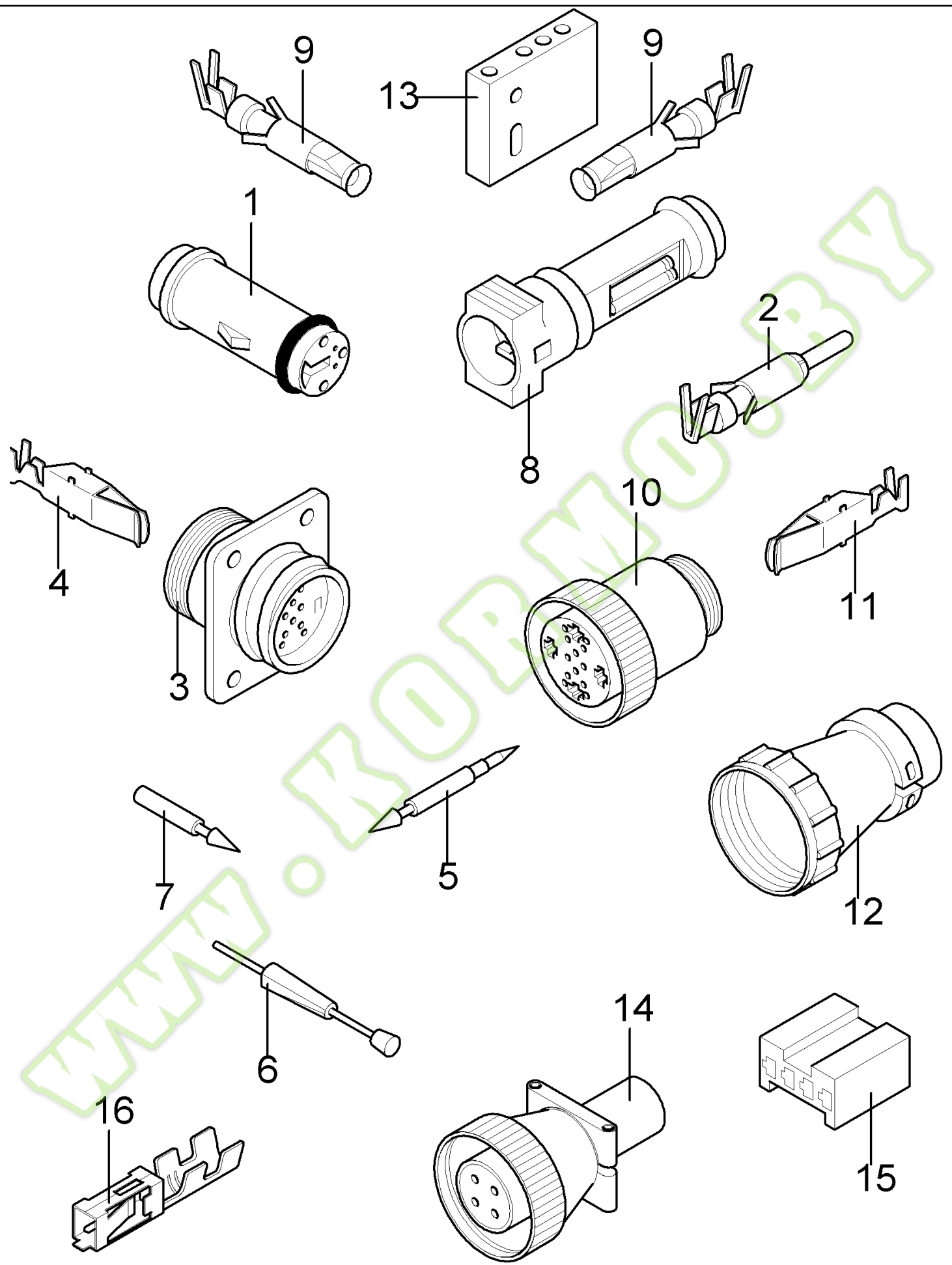


## 07.30(01) TERMINALS AND TERMINAL CONNECTORS

Ref	Part Number	Qty	Description
1	442243		AR CONNECTOR, {PP:80442243} F 1.5-3.3
1	9509740		AR CONNECTOR, {PP:89509740} 9-RD-M
2	9509742		AR CONNECTOR, {PP:89509742} M 0.5-2.1
3	442242		AR CONNECTOR, {PP:80442242} 4-RD-F
3	84004676		AR CONNECTOR, WIRE, 3-WH-F
3	9503129		AR CONNECTOR, WIRE, {PP:89503129} 9-RD-F
3	9511181		AR CONNECTOR, WIRE, {PP:89511181} 6-RD-F
3	9850920		AR TERMINAL, {PP:89850920} 15-RD-F

WWW.KORMO.BY

07.31(01) TERMINALS AND TERMINAL CONNECTORS

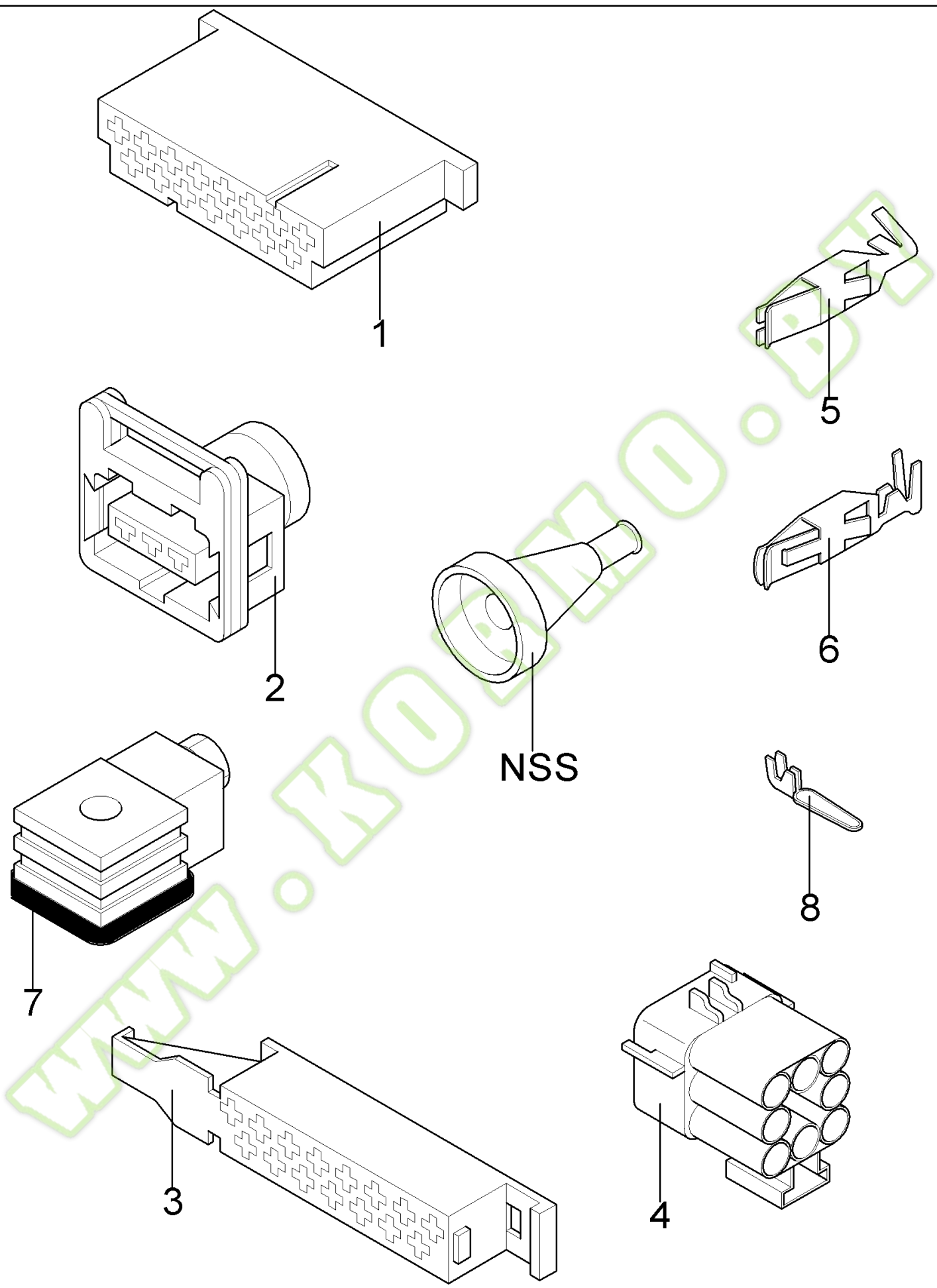


## FX375 NH SELF PROPELLED FORAGE HARVESTER - YELLOW VERSION

## 07.31(01) TERMINALS AND TERMINAL CONNECTORS

Ref	Part Number	Qty	Description
1	916785	AR	CONNECTOR, {PP:80916785} 2-BK-M
1	916790	AR	CONNECTOR, WIRE, {PP:80916790} 4-BK-M
1	9510662	AR	CONNECTOR, WIRE, {PP:89510662} 3-BK-M
2	445521	AR	TERMINAL, {PP:80445521} M 1-2.5
2	9516242	AR	TERMINAL, {PP:89516242} M 0.5-1.5
3	445746	AR	CONNECTOR, WIRE, {PP:80445746} 3-BK-M
3	447569	AR	CONNECTOR, WIRE, {PP:80447569} 16-BK-M
3	9504364	AR	CONNECTOR, {PP:89504364} 24-BK-M
3	9504366	AR	CONNECTOR, {PP:89504366} 7-BK-M
3	9814978	AR	CONNECTOR, {PP:89814978} 37-BK-M
3	9818033	AR	CONNECTOR, WIRE, {PP:89818033} 22-BK-M
4	445517	AR	TERMINAL, {PP:80445517} M 1.5-4
4	445520	AR	TERMINAL, {PP:80445520} M 5-8
5	916795	AR	TOOL, SPECIAL, {PP:80916795} MOUNTING
6	679968	AR	TOOL, SPECIAL, {PP:80679968} DISMOUNTING
7	916794	AR	TOOL, SPECIAL, {PP:80916794} MOUNTING
8	916786	AR	CONNECTOR, WIRE, {PP:80916786} 2-BK-F
8	916791	AR	CONNECTOR, WIRE, {PP:80916791} 4-BK-F
8	9510663	AR	CONNECTOR, {PP:89510663} 3-BK-F
9	445522	AR	TERMINAL, {PP:80445522} F 1.5-2.5
9	9513123	AR	TERMINAL, {PP:89513123} F 0.5-1.5
10	445516	AR	CONNECTOR, WIRE, {PP:80445516} 16-BK-F
10	80445745	AR	CONNECTOR, WIRE, 3-BF-F
10	9504361	AR	CONNECTOR, WIRE, {PP:89504361} 9-BK-F
10	9504362	AR	CONNECTOR, {PP:89504362} 24-BK-F
10	9504367	AR	CONNECTOR, {PP:89504367} 7-BK-F
10	9814979	AR	CONNECTOR, {PP:89814979} 37-BK-F
10	9818031	AR	CONNECTOR, WIRE, {PP:89818031} 22-BK-F
11	445518	AR	TERMINAL, {PP:80445518} F 5-8
11	445519	AR	TERMINAL, {PP:80445519} F 1.5-4
12	445525	AR	COLLAR, {PP:80445525} 7 & 16 TO 37 POL.
12	80445526	AR	COLLAR, 3 POL.
12	9511904	AR	COLLAR, {PP:89511904} 6 & 9 POL.
13	9504961	AR	CONNECTOR, {PP:89504961} 4-BK-F
14	84004080	AR	CONNECTOR, WIRE, 4 POL (INCL.TERM.)
15	84038471	AR	CONNECTOR, WIRE,
16	84038470	AR	TERMINAL, 0.5-1MM2

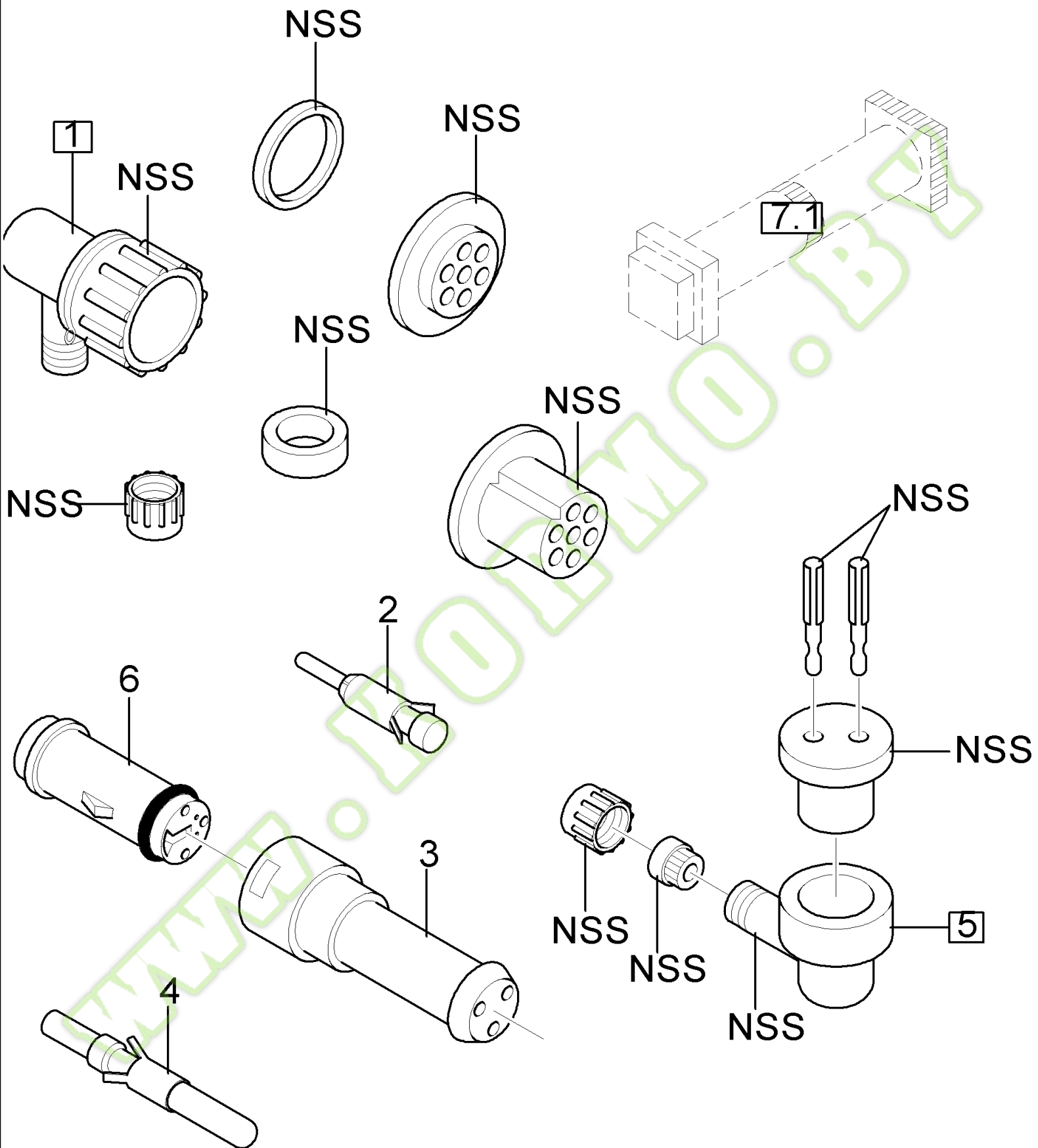
07.32(01) TERMINALS AND TERMINAL CONNECTORS





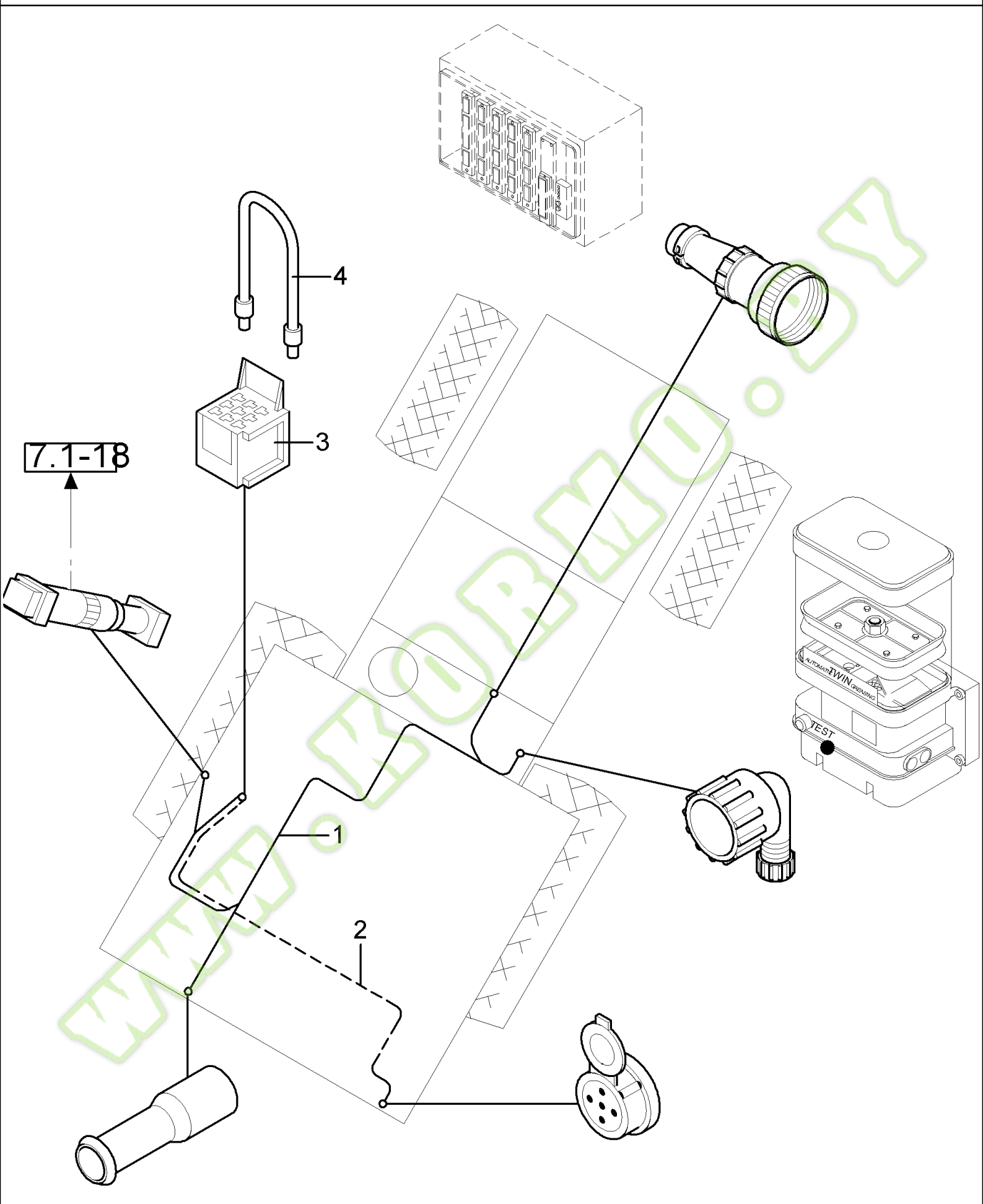
## 07.32(01) TERMINALS AND TERMINAL CONNECTORS

Ref	Part Number	Qty	Description
1	9811261	AR	CONNECTOR, {PP:89811261} 15-BK-F
2	84018967	AR	CONNECTOR, 2-BK-F
2	84018969	AR	CONNECTOR, 4-BK-F
2	84018971	AR	CONNECTOR, 8-BK-F
2	9850554	AR	CONNECTOR, {PP:89850554} 3-BK-F
2	9850555	AR	CONNECTOR, {PP:89850555} 2-BK-F
3	9510666	AR	CONNECTOR, WIRE, {PP:89510666} 25-BK
4	84018968	AR	CONNECTOR, 2-BK-M
4	84018970	AR	CONNECTOR, 4-BK-M
4	84018972	AR	CONNECTOR, 8-BK-M
5	9815256	AR	CONNECTOR, {PP:89815256} F 0.5-1.5
6	9813989	AR	TERMINAL, {PP:89813989} F 1-2.5
7	84019407	AR	CONNECTOR, HYD., 4-BK-F
7	84019408	AR	CONNECTOR, HYD., 14-A-H
8	84018979	AR	TERMINAL, M 0.5-1.5
8	84018981	AR	TERMINAL, M 2.00-3.00



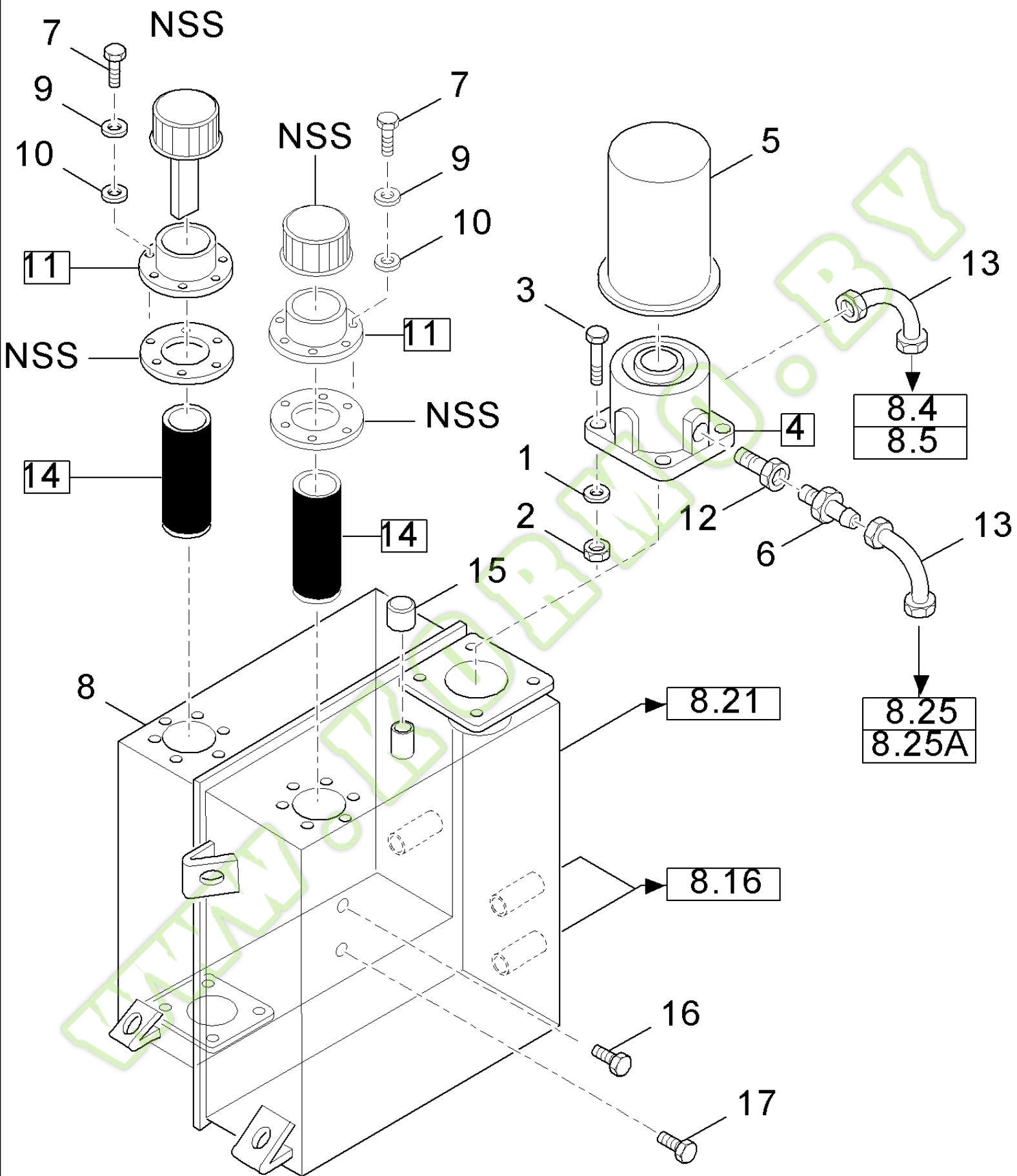
Ref	Part Number	Qty	Description
1	84038036	1	CONNECTOR, WIRE, SET 8-POLE(2)
2	9513123	AR	TERMINAL, {PP:89513123} F 0.5-1.5
3	9510663	1	CONNECTOR, {PP:89510663}
4	9516242	1	TERMINAL, {PP:89516242}
5	84038037	1	CONNECTOR, WIRE, SET 2-POLE
6	9510662	AR	CONNECTOR, WIRE, {PP:89510662} 3-BK-M

WWW.KORMO.BY



Ref	Part Number	Qty	Description
1	84042351	1	HARNESS, WIRE, (INCL. FIGS.)
2	84042363	1	HARNESS, WIRE, (INCL. FIGS.)
3	80399158	1	SWITCH, REMOTE CONTROL,
4	84042352	1	HARNESS, WIRE,

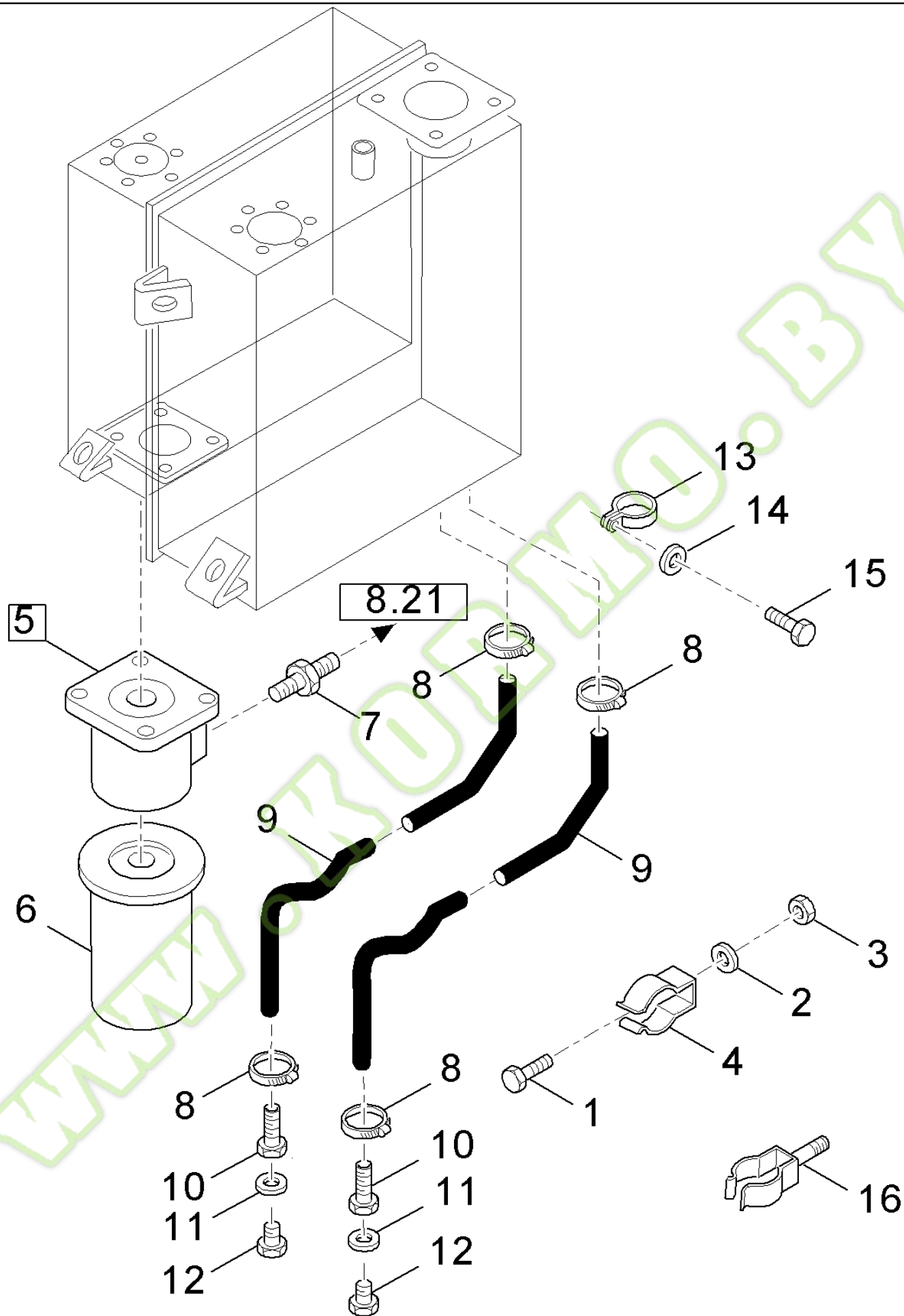
WWW.KORMO.BY



## FX375 NH SELF PROPELLED FORAGE HARVESTER - YELLOW VERSION

## 08.01(01) HYDRAULIC TANK

Ref	Part Number	Qty	Description
1	322358	4	WASHER, LOCK, {PP:80322358} Belleville, M8, 8MM
2	100015	4	NUT, {PP:80100015} M8, CI 8, M8
3	43127	4	BOLT, {PP:80043127} Hex, M8 x 25, 8.8, M8X25
4	9811704	1	FILTER, ENGINE OIL, {PP:89811704} (5)
5	9814477	1	FILTER, ELEMENT, {PP:89814477}
6	89839382	1	VALVE, HYDRAULIC, , -C0412
7	120098	12	SCREW, {PP:80120098} Hex, M5 x 20, 8.8, Full Thd, M5X20, -C0412
7	120098	6	SCREW, {PP:80120098} Hex, M5 x 20, 8.8, Full Thd, M5X20, D1300-
8	84000629	1	RESERVOIR, HYDRAULIC OIL, , -C0412
8	84042487	1	RESERVOIR, HYDRAULIC OIL, , D1300-
9	140014	12	WASHER, {PP:80140014} M5, , -C0412
9	322356	6	WASHER, LOCK, {PP:80322356} , D1300-
10	373817	12	ELEMENT, SEALING, {PP:80373817} , -C0412
10	373817	6	ELEMENT, SEALING, {PP:80373817} , D1300-
11	9508292	2	FILTER, {PP:89508292} (14), -C0412
11	9508292	1	FILTER, {PP:89508292} (14), D1300-
12	9501819	1	CONNECTOR, HYD., {PP:89501819}
13	84019177	2	ELBOW,
14	9811443	2	FILTER, ELEMENT, {PP:89811443} , -C0412
14	9811443	1	FILTER, ELEMENT, {PP:89811443} , D1300-
15	9817518	1	BREATHER, {PP:89817518}
16	9814028	1	NUT, {PP:89814028} M10
17	89814029	1	NUT, M10

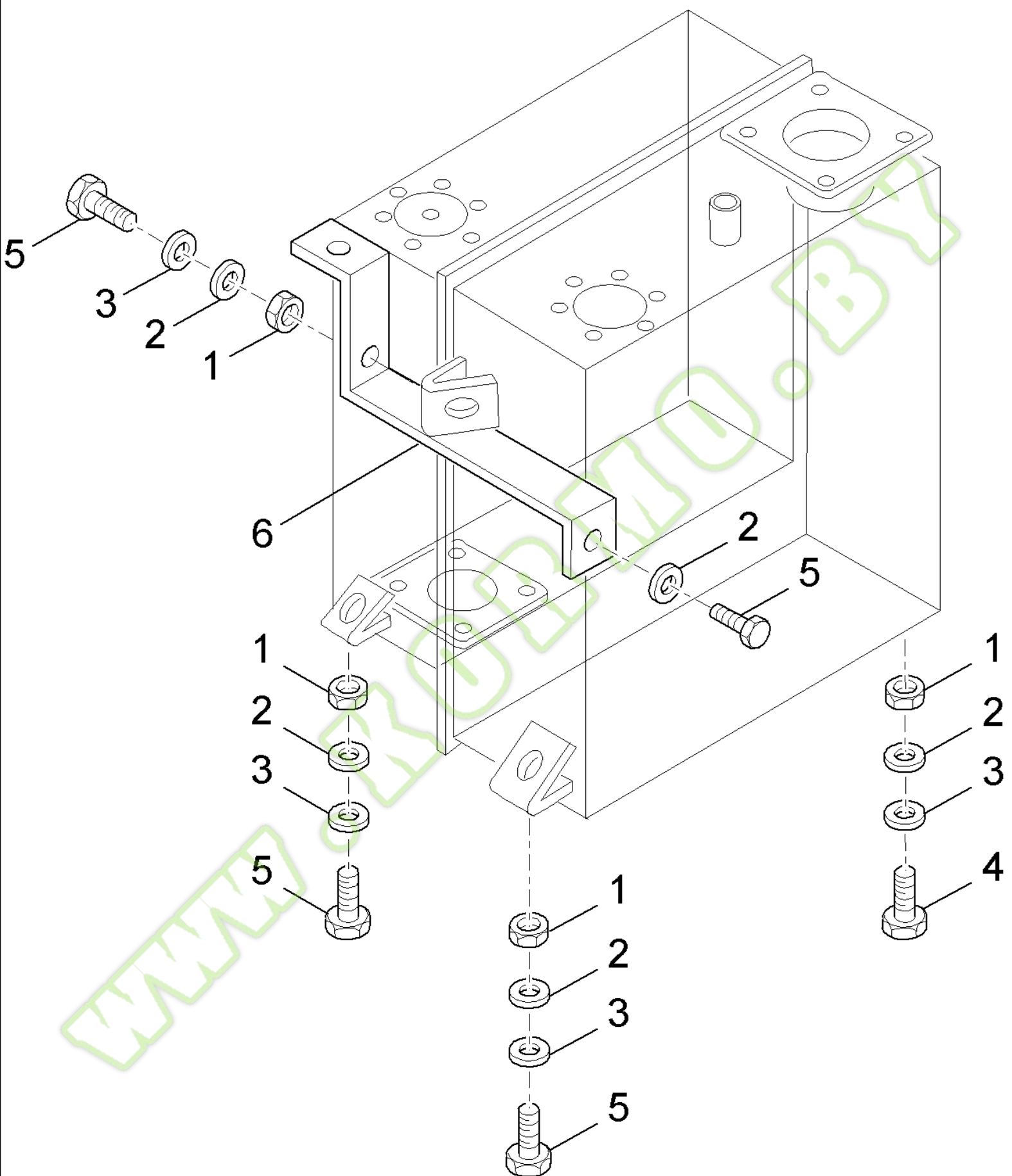




## FX375 NH SELF PROPELLED FORAGE HARVESTER - YELLOW VERSION

## 08.02(01) HYDRAULIC TANK

Ref	Part Number	Qty	Description
1	120100	2	BOLT, {PP:80120100} Hex, M6 x 20, 8.8, M6X20
2	322357	4	WASHER, LOCK, {PP:80322357} Belleville, M6, Belleville, M6
3	9706755	2	NUT, {PP:89706755} M6, CI 8, M6
4	362627	2	CLIP, {PP:80362627}
5	457411	1	FILTER, ENGINE OIL, {PP:80457411} (6)
6	457412	1	FILTER, ELEMENT, {PP:80457412}
7	9516479	1	CONNECTOR, HYD., {PP:89516479}
8	326082	AR	CLAMP, {PP:80326082}
9	80446648	2	HOSE,
10	80326079	2	CONNECTOR, HYD.,
11	722441	2	GASKET,
12	150060	2	PLUG, {PP:80150060}
13	600427	AR	CLAMP, {PP:80600427}
14	322358	AR	WASHER, LOCK, {PP:80322358} Belleville, M8, 8MM
15	43127	AR	BOLT, {PP:80043127} Hex, M8 x 25, 8.8, M8X25
16	326080	2	CLAMP, {PP:80326080} , -C0412
16	9511662	2	CLAMP, {PP:89511662} , D1300-

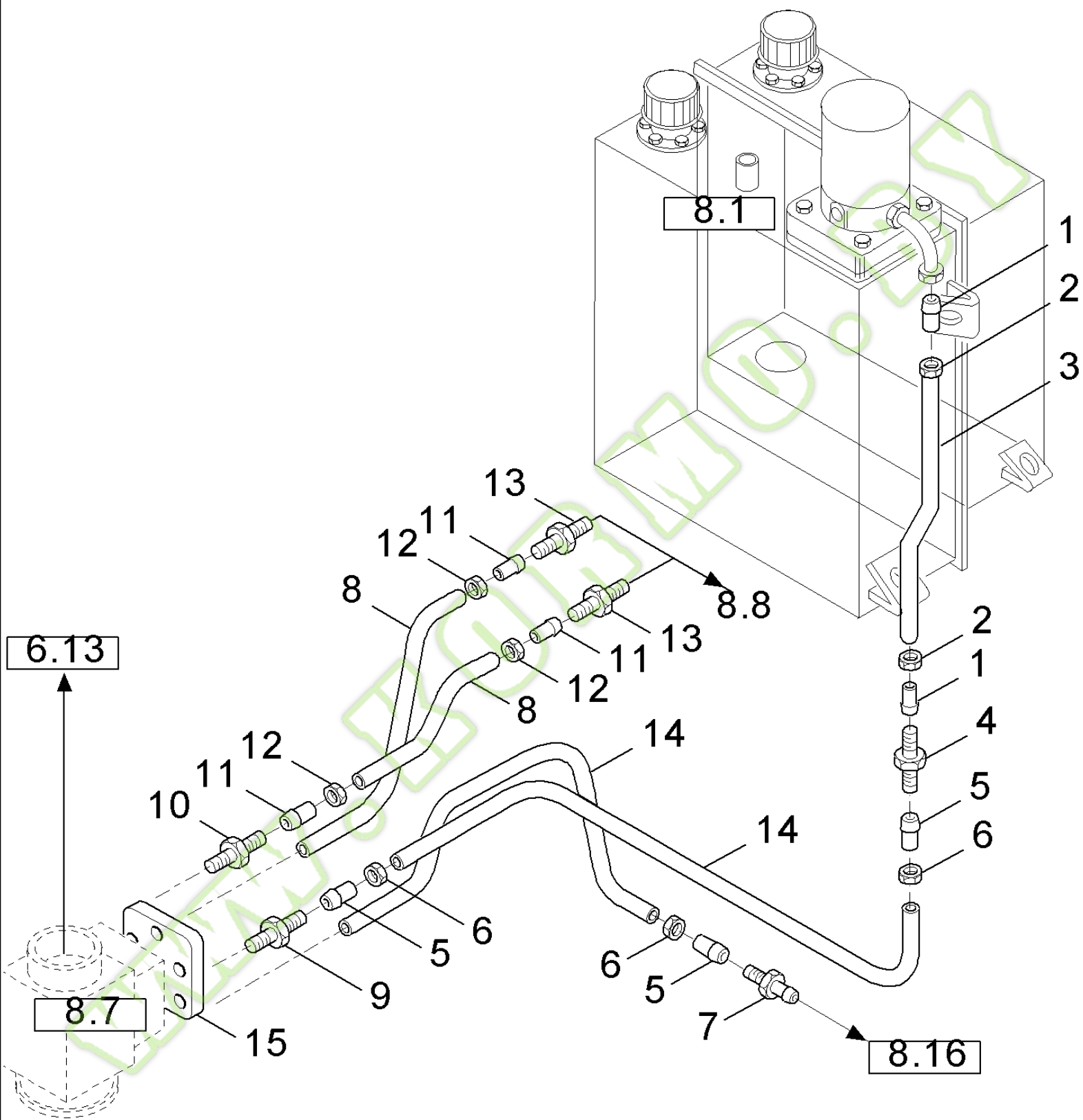


## FX375 NH SELF PROPELLED FORAGE HARVESTER - YELLOW VERSION

## 08.03(01) HYDRAULIC TANK

Ref	Part Number	Qty	Description
1	100015	4	NUT, {PP:80100015} M8, CI 8, M8
2	322358	5	WASHER, LOCK, {PP:80322358} Belleville, M8, 8MM
3	140016	4	WASHER, {PP:80140016} M8 x 16 x 1.6, 8MM
4	120106	1	SCREW, {PP:80120106} Hex, M8 x 40, 8.8, Full Thd, Hex, M8 x 40, 8.8, Full Thd
5	43127	4	BOLT, {PP:80043127} Hex, M8 x 25, 8.8, M8X25
6	84023231	1	SUPPORT,

WWW.KORMO.BY



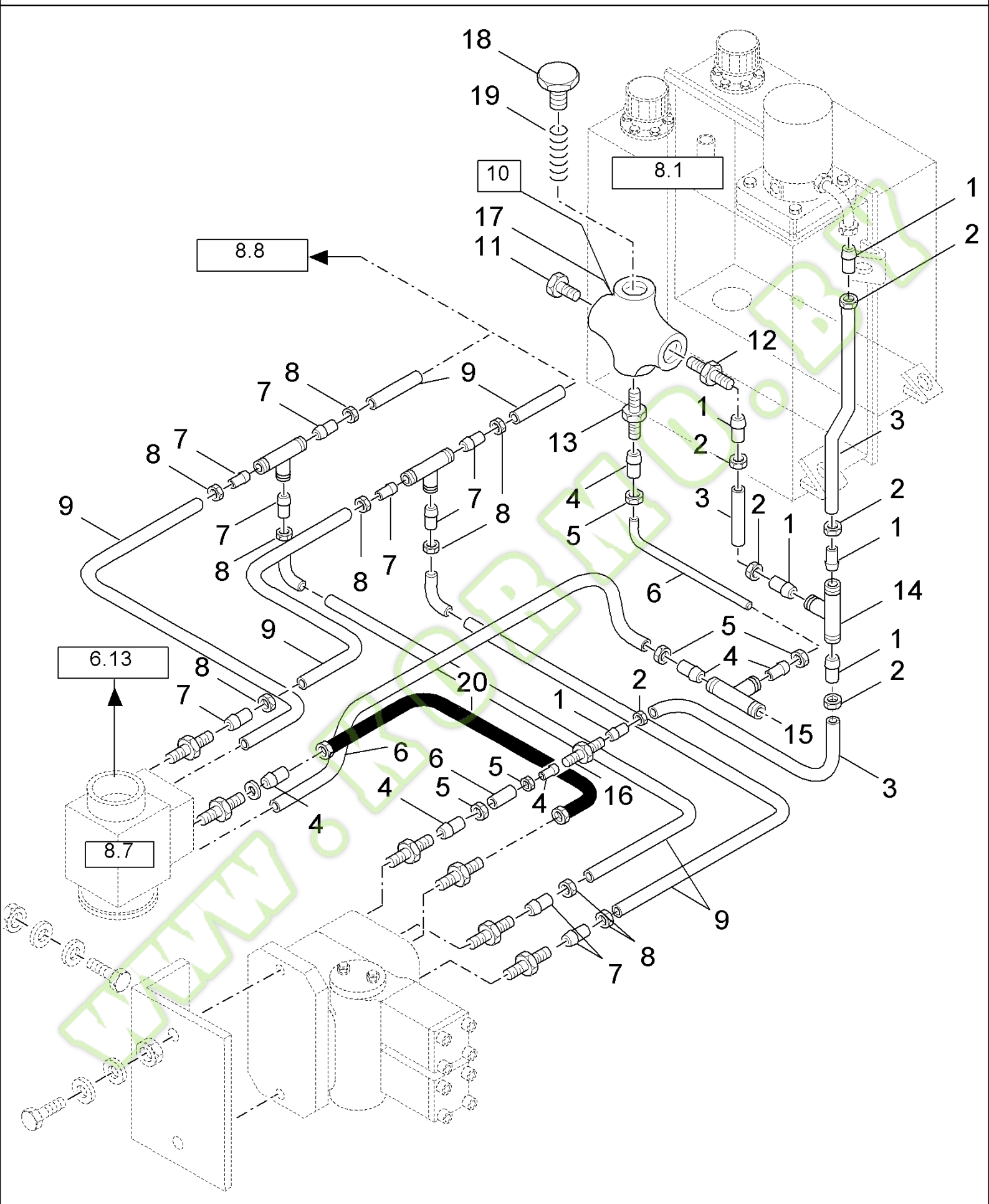
## FX375 NH SELF PROPELLED FORAGE HARVESTER - YELLOW VERSION

## 08.04(01) STEERING VALVE

Ref	Part Number	Qty	Description
1	335168	2	FERRULE, {PP:80335168}
2	335170	2	NUT, {PP:80335170}
3	371534	AR	TUBE, RIGID, {PP:80371534} D=18
4	458717	1	CONNECTOR, HYD., {PP:80458717}
5	335169	4	FERRULE, {PP:80335169}
6	335171	4	NUT, {PP:80335171}
7	335174	1	CONNECTOR, HYD., {PP:80335174}
8	371539	AR	TUBE, RIGID, {PP:80371539} D=10
9	394372	2	CONNECTOR, HYD., {PP:80394372}
10	395019	2	CONNECTOR, HYD., {PP:80395019}
11	150014	4	FERRULE, {PP:80150014}
12	100042	4	NUT, {PP:80100042}
13	150017	2	CONNECTOR, HYD., {PP:80150017}
14	371536	AR	TUBE, RIGID, {PP:80371536} D=16
15	80750406	1	ADAPTER,

LESS AUTOPILOT





WITH AUTOPILOT



## FX375 NH SELF PROPELLED FORAGE HARVESTER - YELLOW VERSION

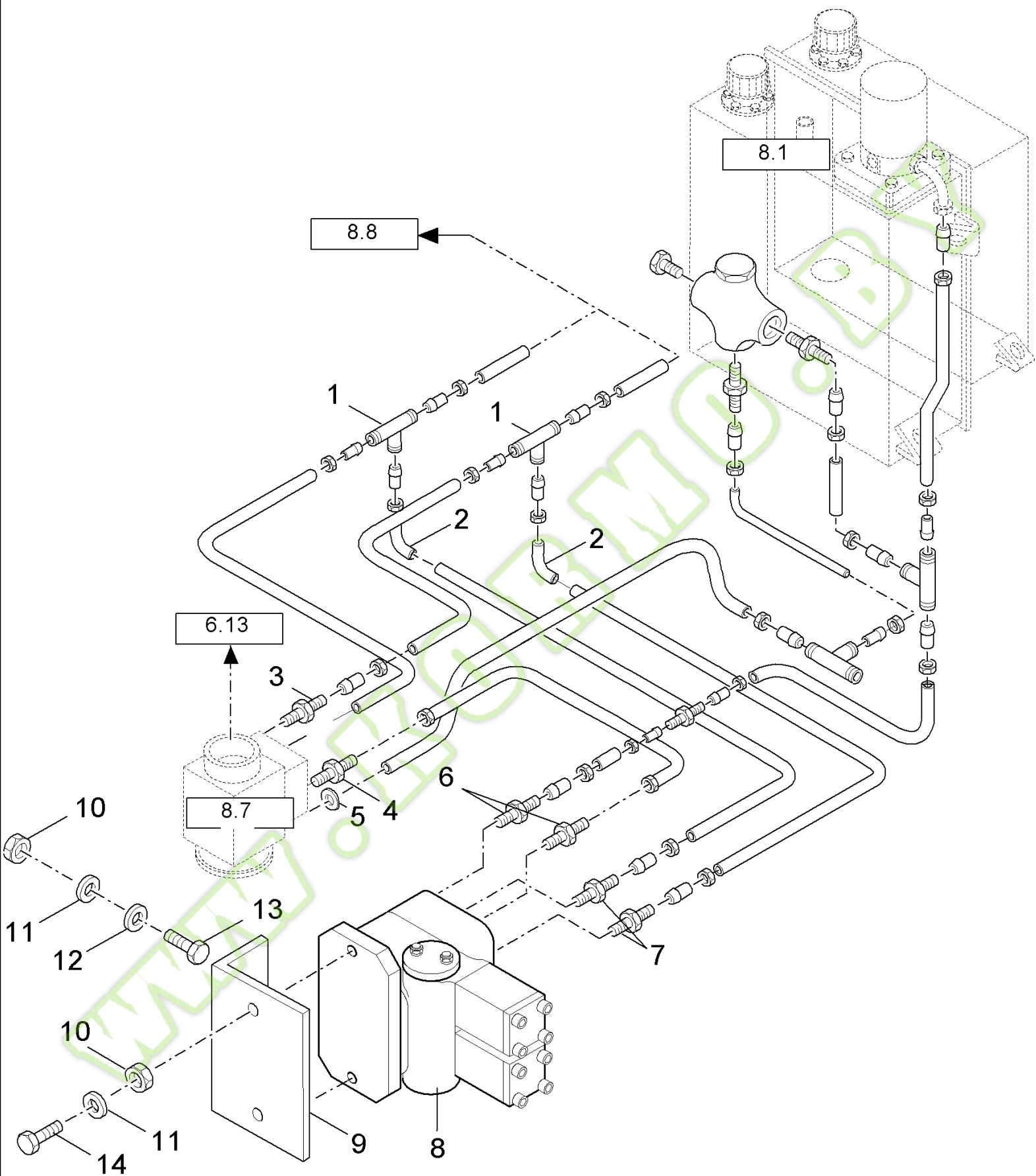
## 08.05(01) STEERING VALVE

Ref	Part Number	Qty	Description
1	335168	6	FERRULE, {PP:80335168}
2	335170	6	NUT, {PP:80335170}
3	371534	AR	TUBE, RIGID, {PP:80371534} D=18
4	335169	8	FERRULE, {PP:80335169}
5	335171	8	NUT, {PP:80335171}
6	371536	AR	TUBE, RIGID, {PP:80371536} D=16
7	150014	12	FERRULE, {PP:80150014}
8	100042	12	NUT, {PP:80100042}
9	371539	AR	TUBE, RIGID, {PP:80371539} D=10
10	84017655	1	VALVE, PRESSURE RELIEF, (17 TO 19)
11	417006	1	PLUG, {PP:80417006}
12	394373	1	CONNECTOR, HYD., {PP:80394373}
13	394372	1	CONNECTOR, HYD., {PP:80394372}
14	379431	1	CONNECTION, 3 WAY, {PP:80379431}
15	444325	1	CONNECTION, 3 WAY, {PP:80444325}
16	458717	1	CONNECTOR, HYD., {PP:80458717}
17	84011927	1	KIT, SEALS,
18	417006	1	PLUG, {PP:80417006}
19	9813875	1	SPRING, {PP:89813875}
20	89815904	1	HOSE, FLEXIBLE,

WITH AUTOPILOT



08.06(01) STEERING VALVE



WITH AUTOPILOT



## FX375 NH SELF PROPELLED FORAGE HARVESTER - YELLOW VERSION

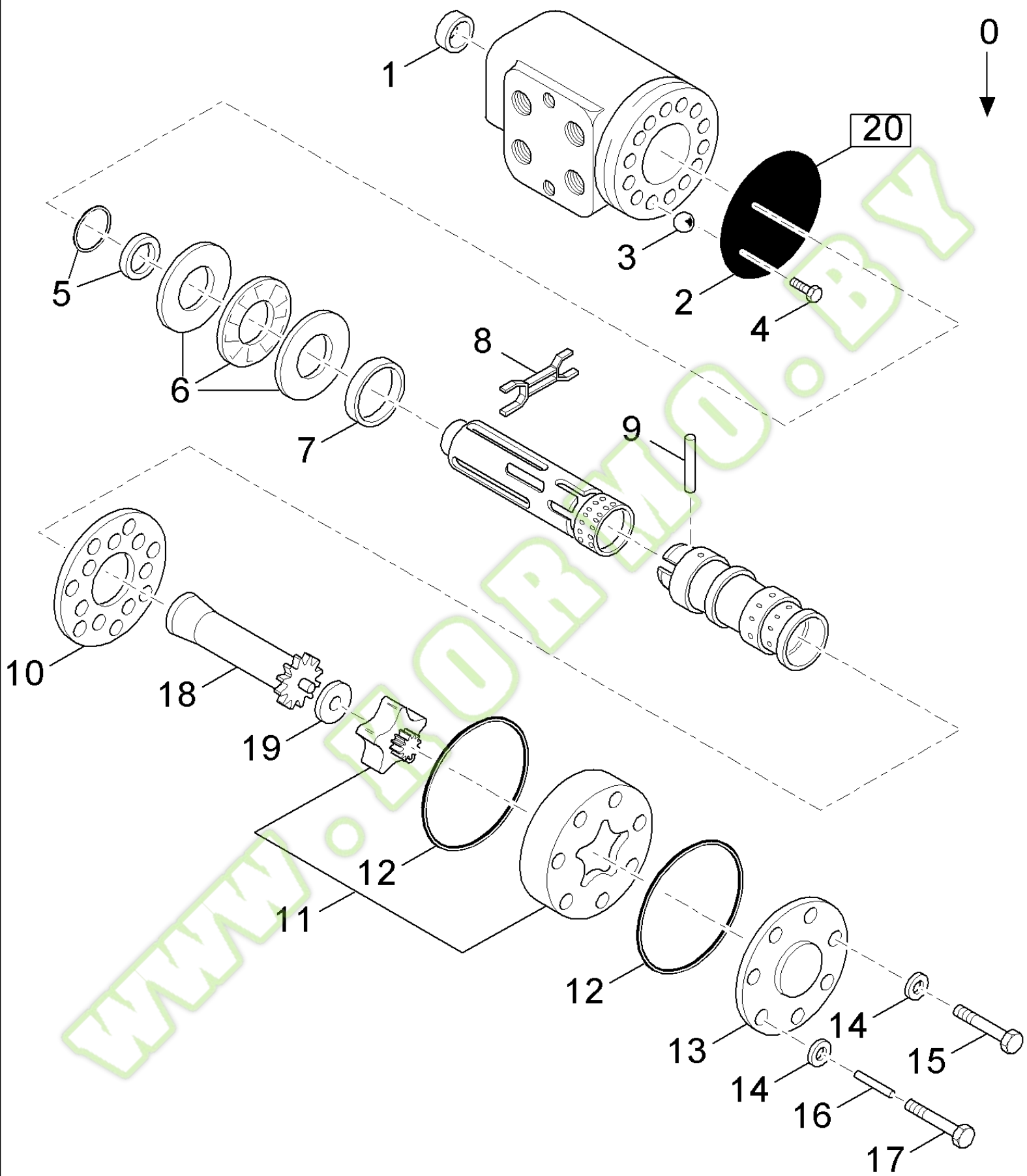
## 08.06(01) STEERING VALVE

Ref	Part Number	Qty	Description
1	395472	2	CONNECTION, 3 WAY, {PP:80395472}
2	418284	2	ELBOW, {PP:80418284}
3	80162888	2	CONNECTOR, HYD.,
4	9513143	2	CONNECTOR, HYD., {PP:89513143}
5	84022824	1	VALVE, RESTRICTOR,
6	89507712	2	CONNECTOR, HYD.,
7	9813512	2	CONNECTOR, HYD., {PP:89813512}
8	84019472	1	ELECTROMAGNET,
9	89835245	1	SUPPORT,
10	100015	4	NUT, {PP:80100015} M8, CI 8, M8
11	322358	4	WASHER, LOCK, {PP:80322358} Belleville, M8, 8MM
12	378243	2	WASHER, {PP:80378243} 8MM
13	80120104	2	SCREW, M8X20
14	120106	2	SCREW, {PP:80120106} Hex, M8 x 40, 8.8, Full Thd, Hex, M8 x 40, 8.8, Full Thd

WITH AUTOPILOT



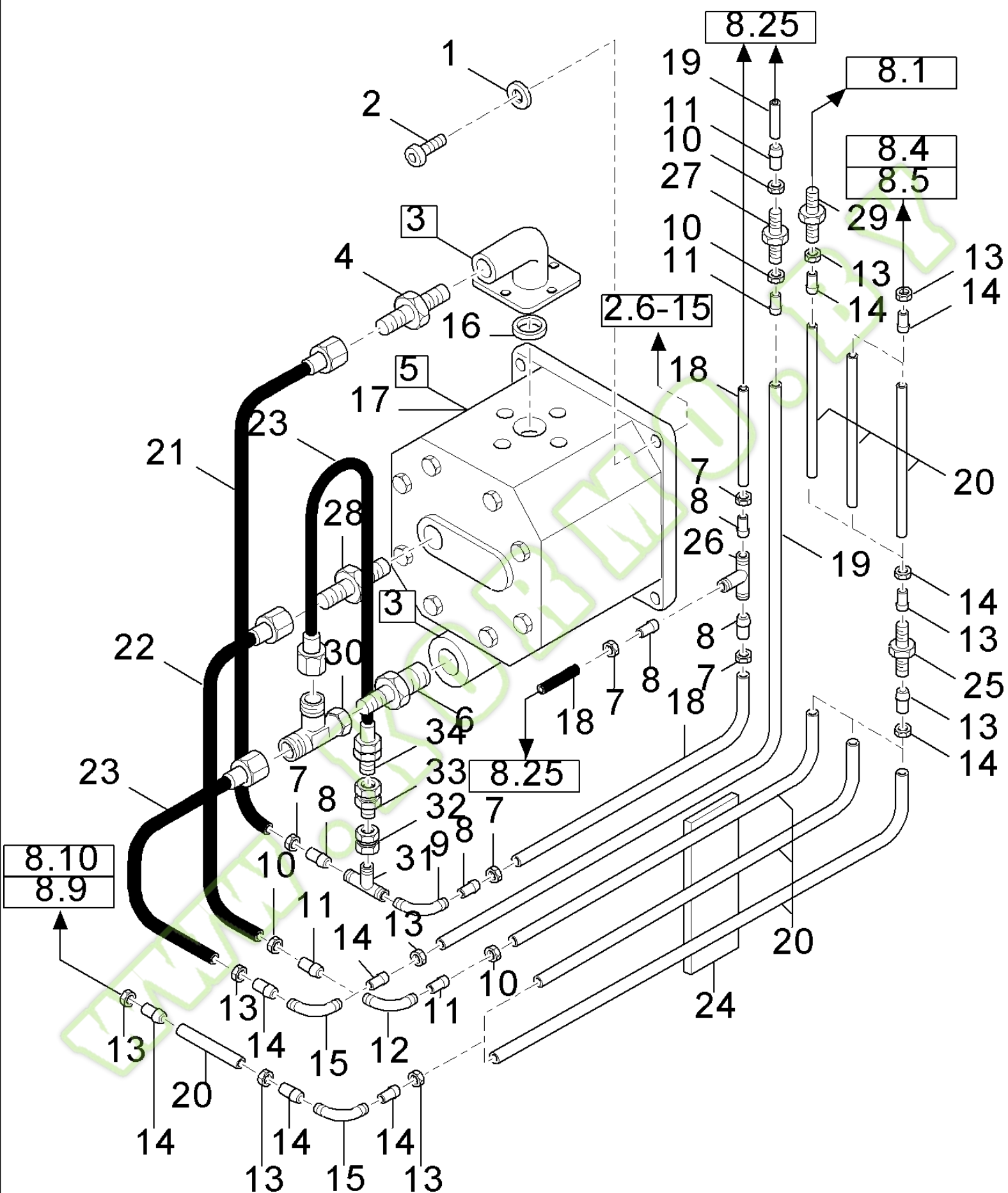
08.07(01) STEERING VALVE



## FX375 NH SELF PROPELLED FORAGE HARVESTER - YELLOW VERSION

## 08.07(01) STEERING VALVE

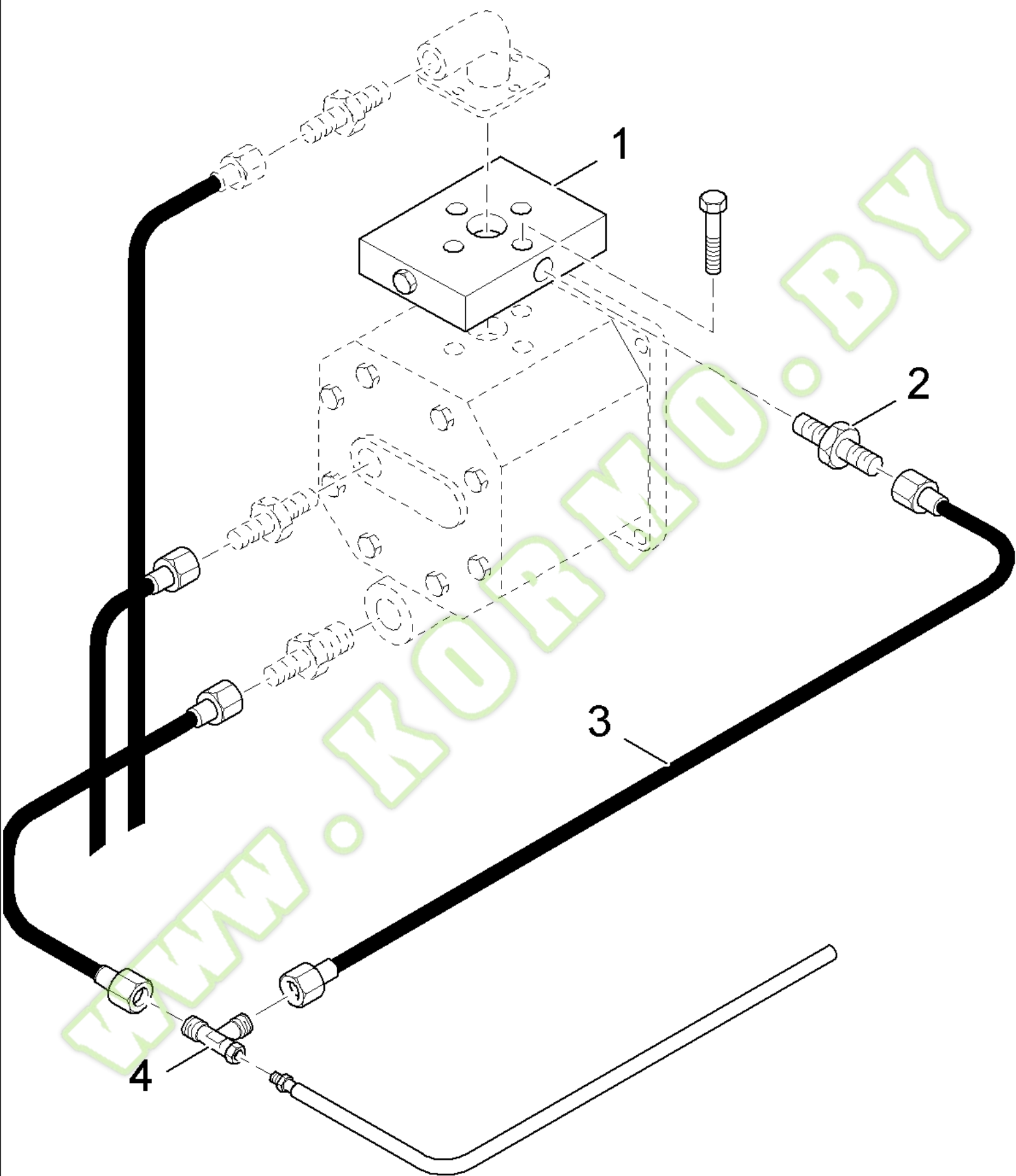
Ref	Part Number	Qty	Description
0	383941	1	VALVE, HYDRAULIC, {PP:80383941} (1 TO 21), WITH AUTOPILOT
0	9512589	1	VALVE, HYDRAULIC, {PP:89512589} (1 TO 21), WITHOUT AUTOPILOT
1	394855	1	RING, {PP:80394855}
2	327232	1	O-RING, {PP:80327232}
3	326447	1	BALL, {PP:80326447}
4	326446	1	SCREW, {PP:80326446}
5	418312	1	KIT, SEALS, {PP:80418312}
6	449242	1	SET OF RINGS, {PP:80449242}, WITHOUT AUTOPILOT
6	751022	1	BEARING, THRUST, {PP:80751022}, WITH AUTOPILOT
7	326432	1	RING, {PP:80326432}
8	433273	6	SPRING, {PP:80433273}
9	394849	1	PIN, {PP:80394849}
10	326436	1	PLATE, COVER, {PP:80326436}
11	89512593	1	KIT,
12	326440	2	O-RING, {PP:80326440}
13	326441	1	COVER, {PP:80326441}
14	326442	7	WASHER, {PP:80326442}
15	326443	6	SCREW, {PP:80326443} Hex, M8 x 1 x 40, 10.9,
16	326444	1	PIN, {PP:80326444}
17	326445	1	SCREW, {PP:80326445}
18	449241	1	SHAFT, {PP:80449241}
19	89512594	1	SPACER,
20	84053469	1	KIT, SEALS, (1,2,5,12,14)



## FX375 NH SELF PROPELLED FORAGE HARVESTER - YELLOW VERSION

## 08.08(01) HYDRAULIC MOTOR: CUTTERHEAD REVERSE DRIVE

Ref	Part Number	Qty	Description
1	80681	4	WASHER, LOCK, {PP:80080681} 5/16", 5/16"
2	89835435	4	SCREW, M8X35
3	89813318	2	CONNECTOR, HYD., (16)
4	89835290	1	CONNECTOR, HYD.,
5	89833161	1	MOTOR, HYDRAULIC, (26)
6	89814768	1	CONNECTOR, HYD.,
7	335170	5	NUT, {PP:80335170}
8	335168	5	FERRULE, {PP:80335168}
9	84014048	1	ELBOW,
10	335171	4	NUT, {PP:80335171}
11	335169	4	FERRULE, {PP:80335169}
12	84014047	1	ELBOW,
13	100042	16	NUT, {PP:80100042}
14	150014	16	FERRULE, {PP:80150014}
15	84007700	3	ELBOW,
16	84814915	1	GASKET,
17	84022558	1	KIT, SEALS,
18	371534	AR	TUBE, RIGID, {PP:80371534} D=18
19	371536	AR	TUBE, RIGID, {PP:80371536} D=16
20	371539	AR	TUBE, RIGID, {PP:80371539} D=10
21	84017634	1	HOSE, FLEXIBLE,
22	84017635	1	HOSE, FLEXIBLE,
23	89815904	2	HOSE, FLEXIBLE,
24	434097	1	BRACKET, {PP:80434097}
25	150017	3	CONNECTOR, HYD., {PP:80150017}
26	379431	1	CONNECTION, 3 WAY, {PP:80379431}
27	335174	1	CONNECTOR, HYD., {PP:80335174}
28	420522	1	CONNECTOR, HYD., {PP:80420522}
29	84021159	1	CONNECTOR, HYD.,
30	84042903	1	CONNECTOR, HYD., , D1300-
31	84042442	1	CONNECTION, 3 WAY, , D1300-
32	84042959	1	CONNECTOR, HYD., , D1300-
33	84042443	1	CONNECTOR, HYD., , D1300-
34	84042950	1	VALVE, HYDRAULIC, , D1300-



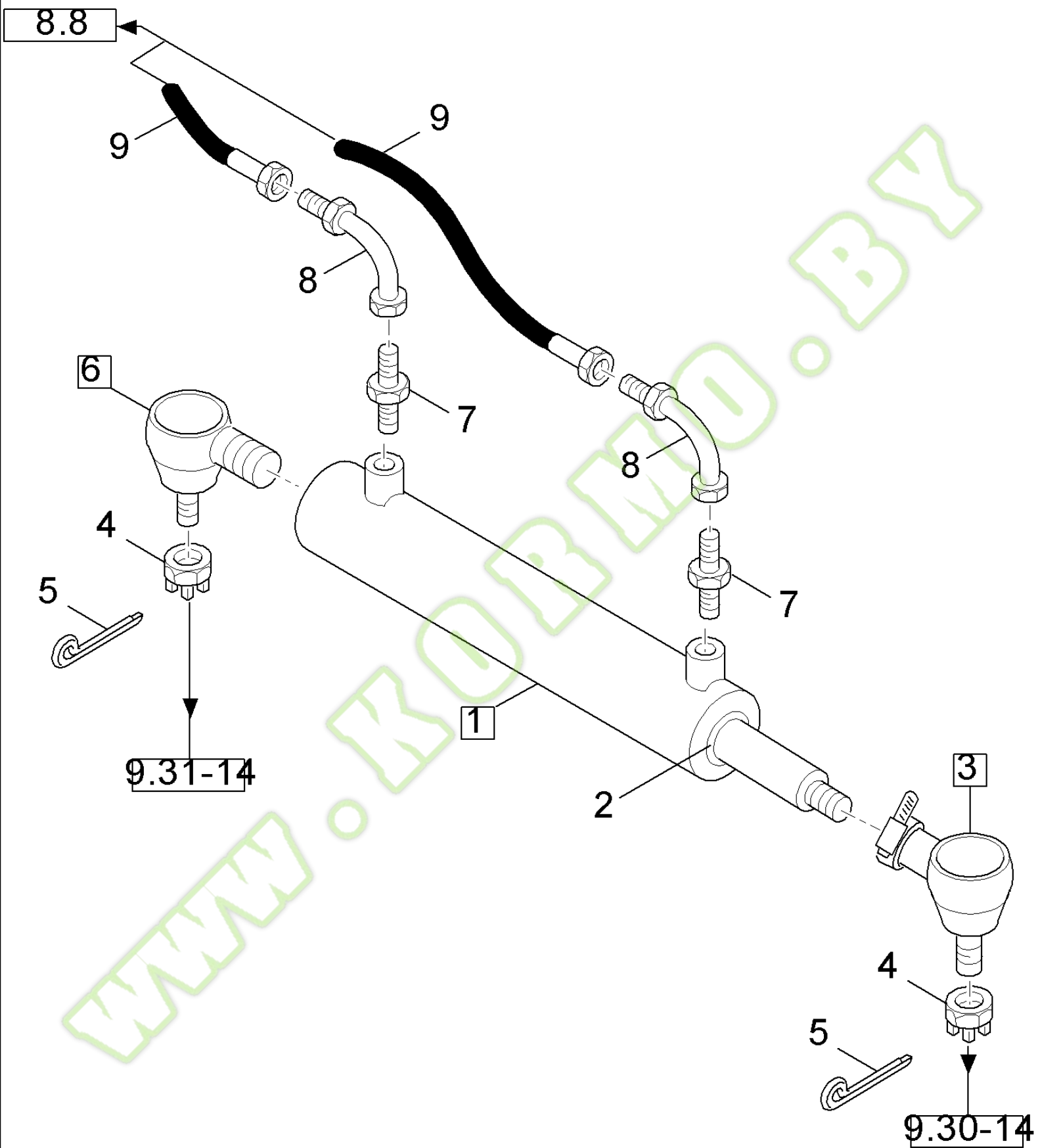
## 08.08A(01) HYDRAULIC MOTOR: SAFETY KIT

Ref	Part Number	Qty	Description
1	84045013	1	VALVE, HYDRAULIC,
2	394372	1	CONNECTOR, HYD., {PP:80394372}
3	89815904	1	HOSE, FLEXIBLE,
4	84042903	1	CONNECTOR, HYD.,

WWW.KORMO.BY

ONLY VALID BETWEEN SERIAL NO. --04001 AND --12999





FOR 4-WHEEL DRIVE ONLY



## FX375 NH SELF PROPELLED FORAGE HARVESTER - YELLOW VERSION

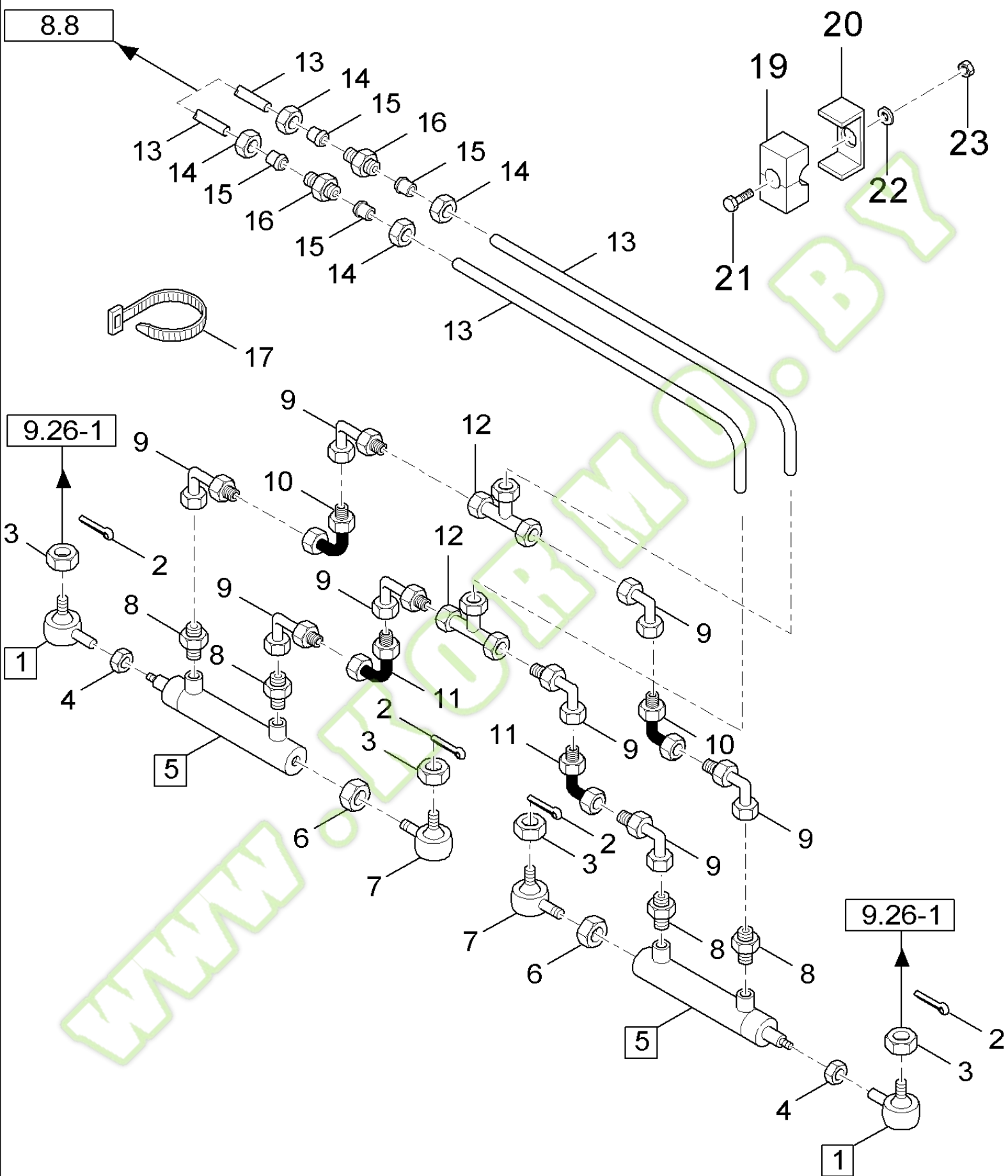
## 08.09(01) STEERING CYLINDER

Ref	Part Number	Qty	Description
1	84015551	1	ACTUATOR, (2)
2	84018470	1	KIT, REPAIR,
3	84000165	1	BALL JOINT, (4,5)
4	80398276	2	NUT, M24X1.5
5	130011	2	PIN, SPLIT (COTTER), {PP:80130011} M5 x 40, , -C0412
5	300595	2	PIN, SPLIT (COTTER), {PP:80300595} M4 x 40, , D1300-
6	84000166	1	BALL JOINT, (4,5)
7	395019	2	CONNECTOR, HYD., {PP:80395019}
8	418284	2	ELBOW, {PP:80418284}
9	338009	2	HOSE, {PP:80338009}

WWW.KORMO.BY

FOR 4-WHEEL DRIVE ONLY





FOR FIXED STEERING AXLE ONLY

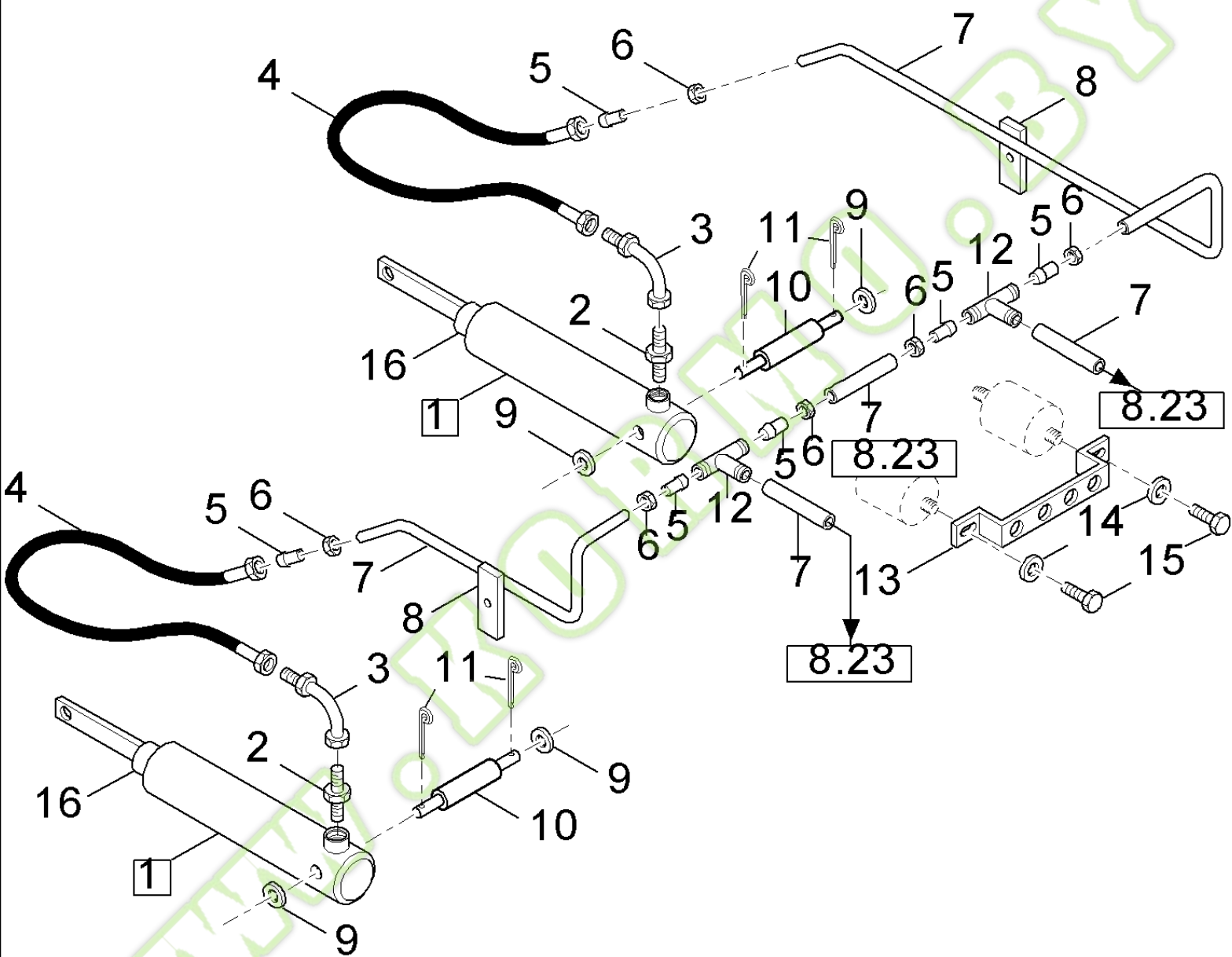
## FX375 NH SELF PROPELLED FORAGE HARVESTER - YELLOW VERSION

## 08.10(01) STEERING CYLINDERS

Ref	Part Number	Qty	Description
1	89817314	2	BALL JOINT, (2,3)
2	300595	4	PIN, SPLIT (COTTER), {PP:80300595} M4 x 40,
3	412103	4	NUT, {PP:80412103} M18
4	320771	2	NUT, {PP:80320771} Thin, M20 x 1.5, CI 04, M20
5	84036730	2	HYDRAULIC CYLINDER, (18)
6	331209	2	NUT, {PP:80331209} 13/16"-16, G2, 13/16"
7	9817315	2	BALL JOINT, {PP:89817315} (2,3)
8	395019	4	CONNECTOR, HYD., {PP:80395019}
9	418284	8	ELBOW, {PP:80418284}
10	734029	2	HOSE, FLEXIBLE, {PP:80734029}
11	84036881	2	HOSE, FLEXIBLE,
12	734031	2	CONNECTOR, HYD., {PP:80734031}
13	371539	AR	TUBE, RIGID, {PP:80371539} D=10
14	100042	4	NUT, {PP:80100042}
15	150014	4	FERRULE, {PP:80150014}
16	150017	2	CONNECTOR, HYD., {PP:80150017}
18	84037236	2	KIT, SEALS,
19	433008	2	CLAMP, {PP:80433008}
20	433101	1	SUPPORT, {PP:80433101}
21	300508	1	SCREW, {PP:80300508} Hex, M6 x 45, 8.8, M6X45
22	140015	1	WASHER, {PP:80140015} 6MM
23	353308	1	NUT, {PP:80353308} M6 x 1, CI 8, M6
17	323597	4	STRAP, {PP:80323597}

FOR FIXED STEERING AXLE ONLY

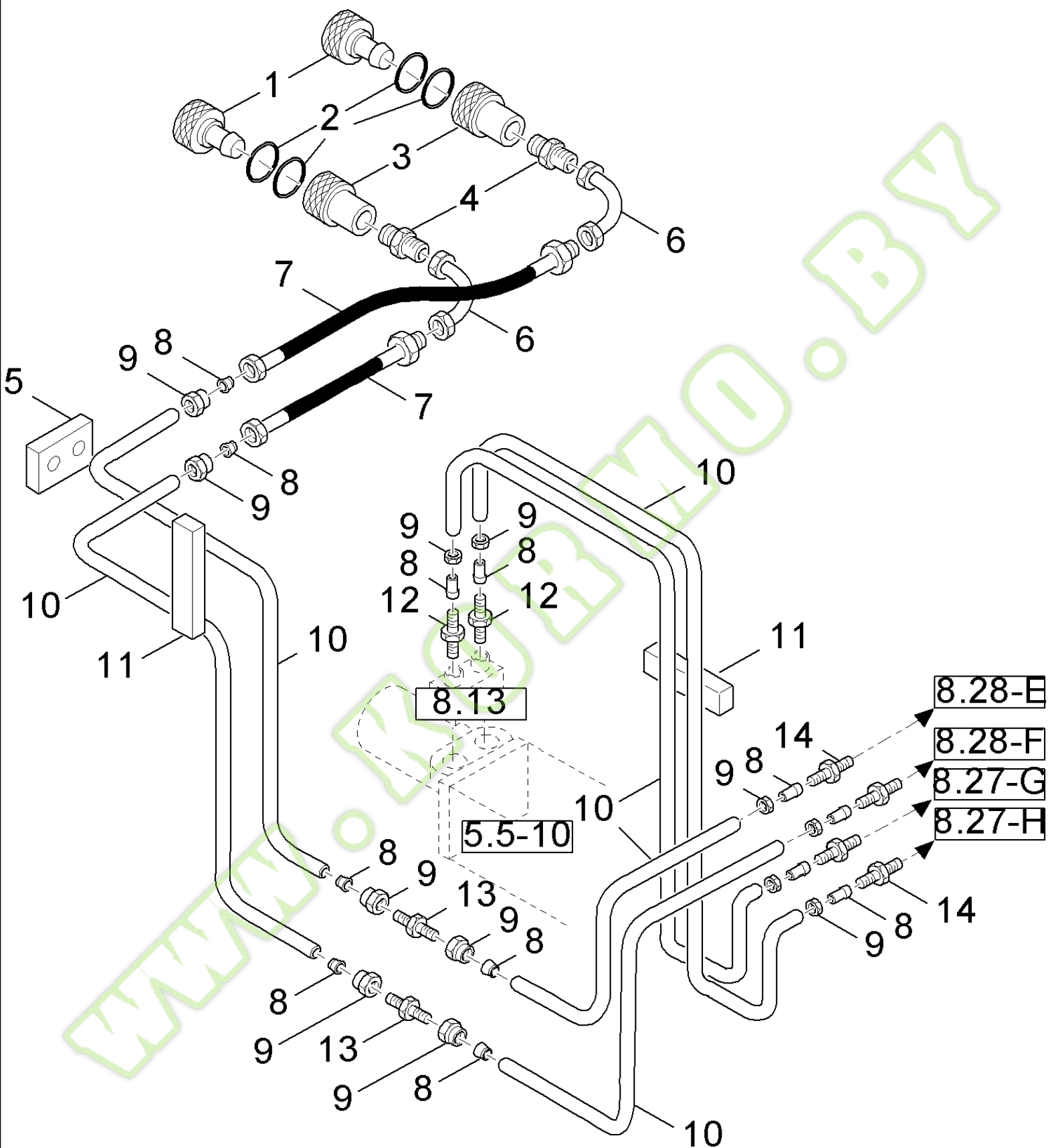




## FX375 NH SELF PROPELLED FORAGE HARVESTER - YELLOW VERSION

## 08.11(01) HYDRAULIC PARTS FOR CUTTERHEAD

Ref	Part Number	Qty	Description
1	89808733	2	HYDRAULIC CYLINDER, (16), FOR FX300-375/9630-9640 ONLY
1	84042243	2	HYDRAULIC CYLINDER, (16), FOR FX450/9645 ONLY
2	395782	2	CONNECTOR, HYD., {PP:80395782}
3	9508529	2	ELBOW, {PP:89508529}
4	160164	2	HOSE, {PP:80160164}
5	100015	6	NUT, {PP:80100015} M8, CI 8, M8
6	100043	6	NUT, {PP:80100043} M12
7	9513719	AR	TUBE, RIGID, {PP:89513719} D=12
8	84000889	2	BRACKET,
9	140022	4	WASHER, {PP:80140022} M24 x 44 x 4, 26MM
10	89812447	2	PIN,
11	89515820	4	PIN, SPLIT (COTTER),
12	150019	2	CONNECTION, 3 WAY, {PP:80150019}
13	84014005	1	SUPPORT,
14	140045	2	WASHER, LOCK, {PP:80140045} Belleville, M10,
16	84022130	2	KIT, REPAIR, , FOR FX300-375/9630-9640 ONLY
16	84042503	2	KIT, REPAIR, , FOR FX450/9645 ONLY
15	43140	2	BOLT, {PP:80043140} Hex, M10 x 30, 8.8, M10X30

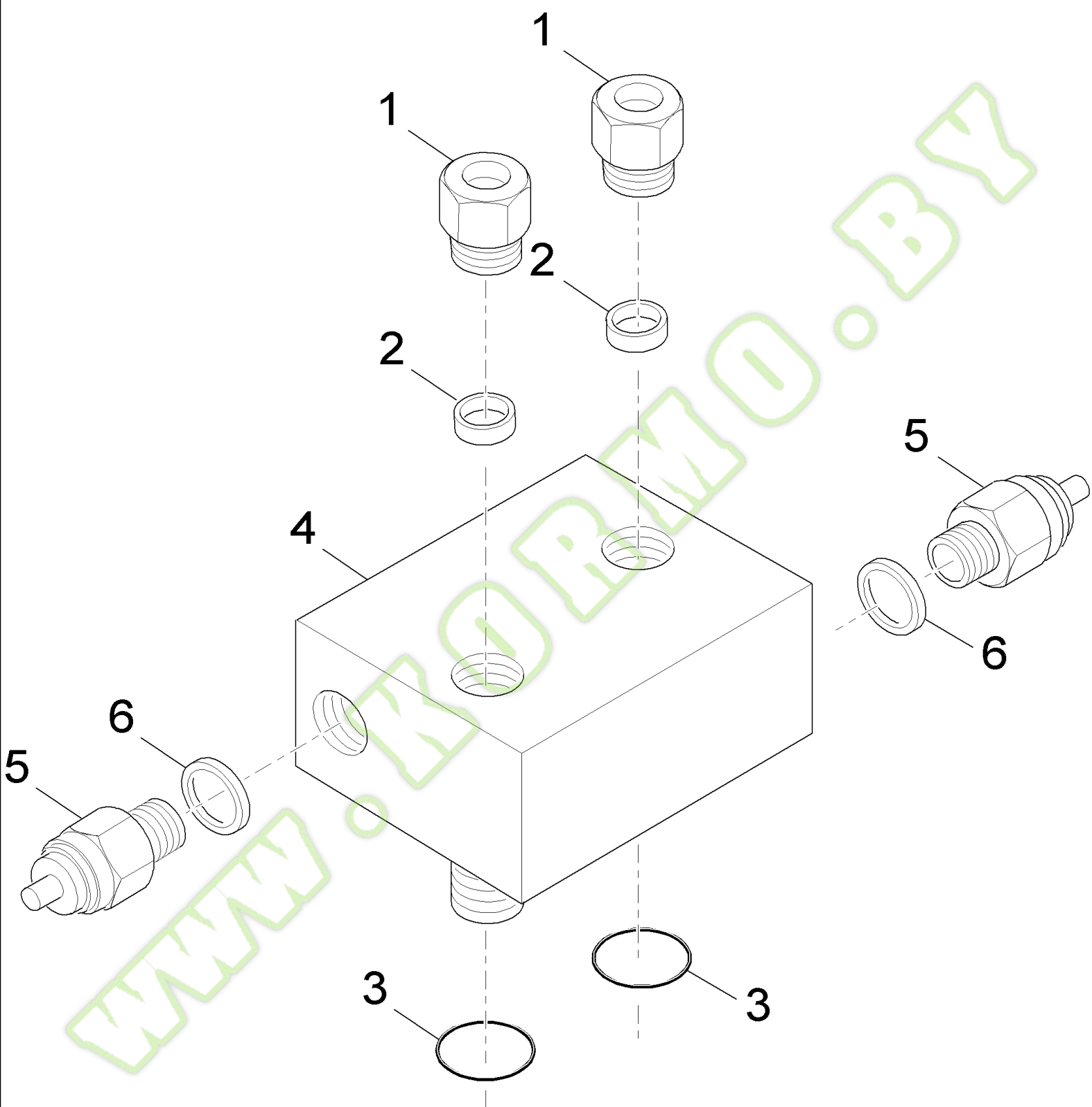


## FX375 NH SELF PROPELLED FORAGE HARVESTER - YELLOW VERSION

## 08.12(01) HYDRAULIC LINES: SPOUT AND FRONT HYDRAULIC LINES

Ref	Part Number	Qty	Description
1	266220	2	DUST CAP, {PP:80266220}
2	370006	4	CIRCLIP, {PP:80370006}
3	84019138	2	COUPLING, QUICK, MALE,
4	84021013	2	CONNECTOR, HYD.,
5	84022011	1	BRACKET,
6	9508529	2	ELBOW, {PP:89508529}
7	160164	2	HOSE, {PP:80160164}
8	150015	12	FERRULE, {PP:80150015}
9	100043	12	NUT, {PP:80100043} M12
10	9513719	AR	TUBE, RIGID, {PP:89513719} D=12
11	434097	2	BRACKET, {PP:80434097}
12	80360872	2	CONNECTOR, HYD.,
13	150018	2	CONNECTOR, HYD., {PP:80150018}
14	395782	4	CONNECTOR, HYD., {PP:80395782}

WWW.KORMO.BY

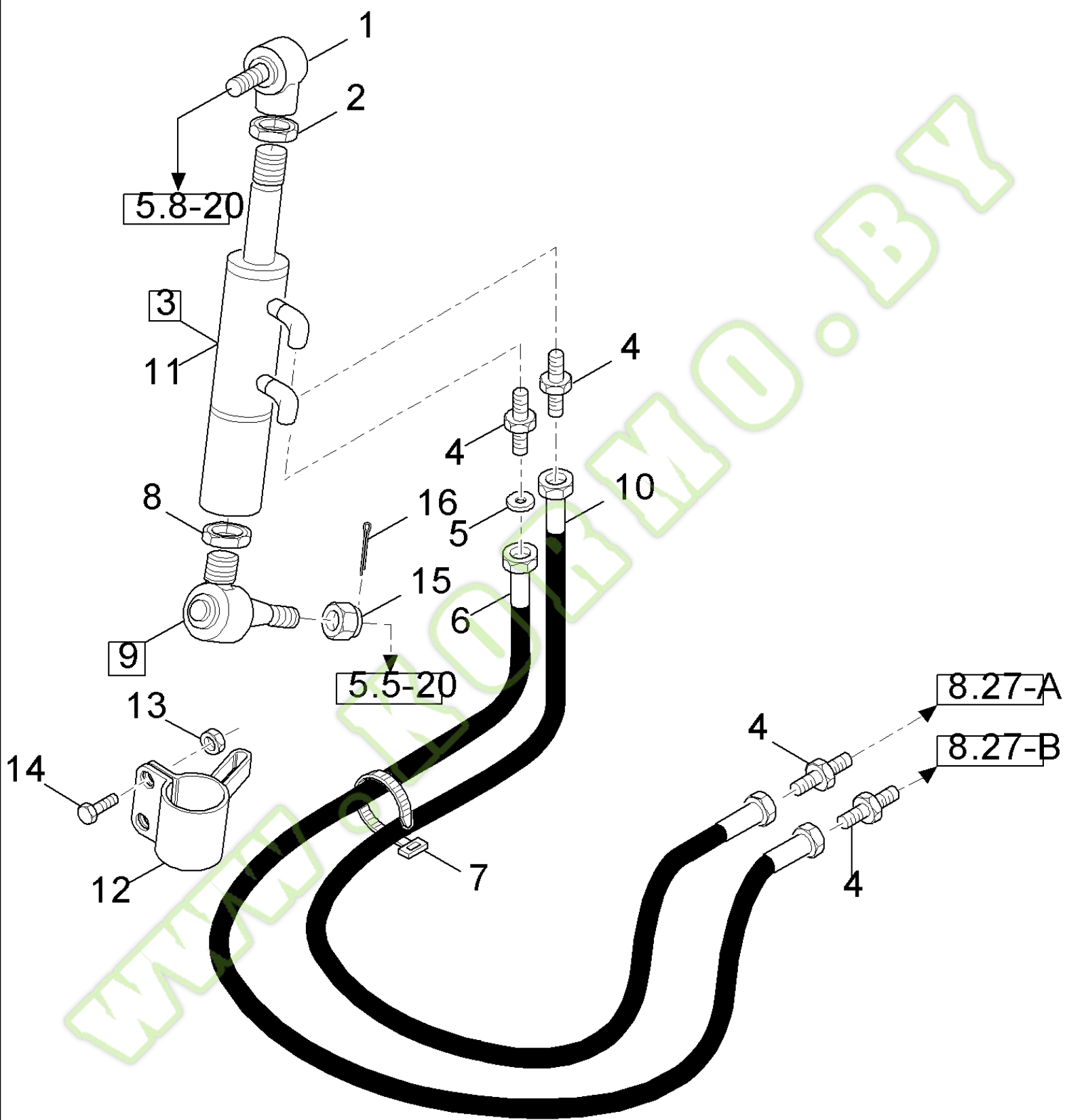




## 08.13(01) OVERPRESSURE VALVE

Ref	Part Number	Qty	Description
0	84021502	1	VALVE, HYDRAULIC, (1 TO 6)
1	84021966	2	SCREW, HOLLOW,
2	84021967	2	ELEMENT, SEALING, , -C0404
3	84021968	2	O-RING,
4	84021969	1	BLOCK,
5	84021970	2	VALVE, HYDRAULIC,
6	84021971	2	ELEMENT, SEALING,

WWW.KORMO.BY

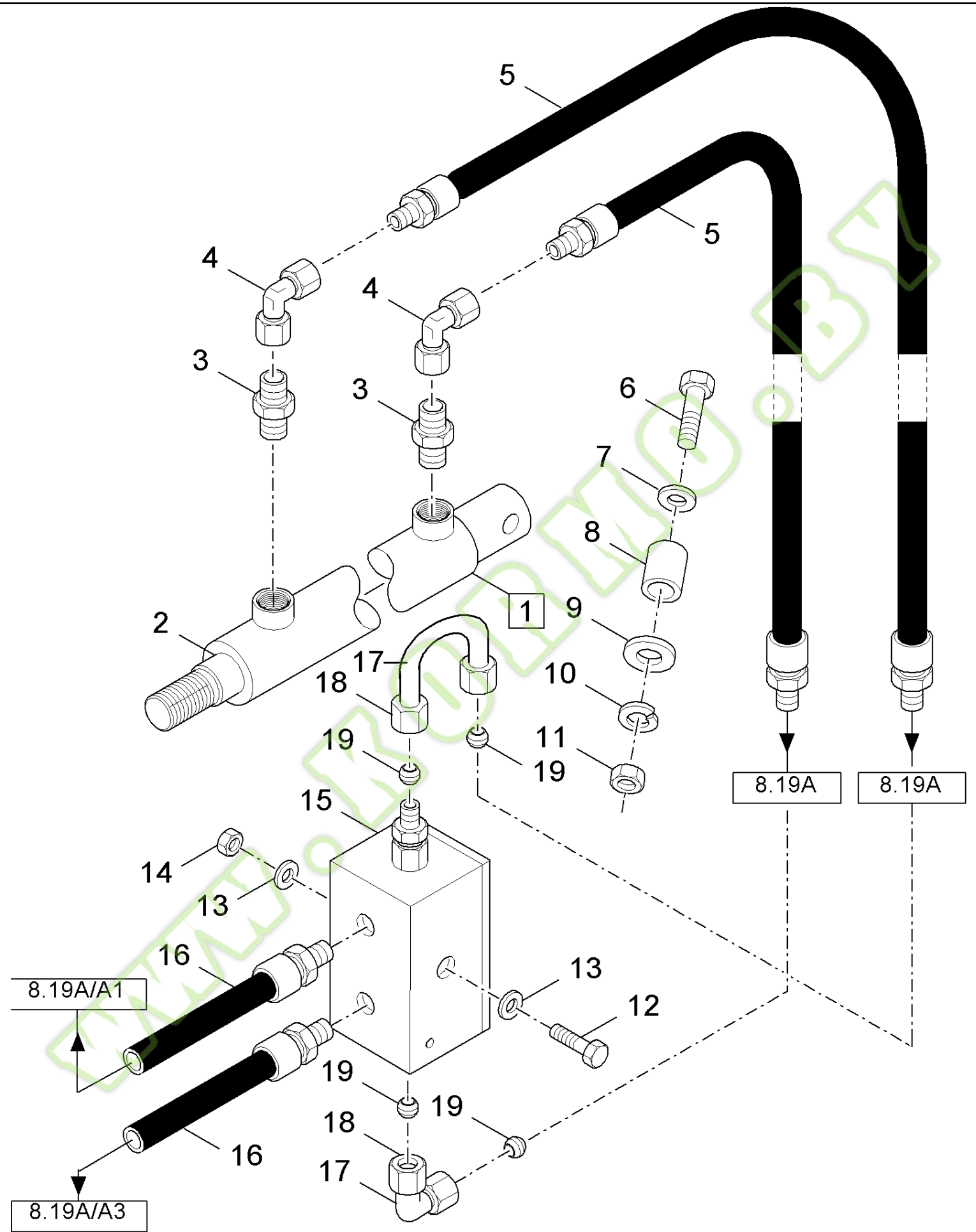


## FX375 NH SELF PROPELLED FORAGE HARVESTER - YELLOW VERSION

## 08.14(01) CYLINDER FOR SPOUT

Ref	Part Number	Qty	Description
1	84039559	1	BALL JOINT,
2	100085	1	NUT, {PP:80100085} M20 x 1.5, CI 8, M20X1,5
3	84031243	1	HYDRAULIC CYLINDER, (11)
4	386215	4	CONNECTOR, HYD., {PP:80386215}, D0600-
4	395782	4	CONNECTOR, HYD., {PP:80395782}, -C0405
5	350657	1	VALVE, RESTRICTOR, {PP:80350657}, -C0404
5	365947	1	ORIFICE, {PP:80365947}, D0600-
5	84022794	1	VALVE, RESTRICTOR, , -C0505
6	84031279	1	HOSE, FLEXIBLE, , D0600-
6	89813522	1	HOSE, FLEXIBLE, , -C0405
7	323597	AR	STRAP, {PP:80323597}
8	100034	1	NUT, {PP:80100034} M30 x 1.5, CI 8, M30X1.5
9	84004528	1	BALL JOINT, , -C5044
9	84053458	1	BALL JOINT, (15,16), D5045-
10	84031280	1	HOSE, FLEXIBLE, , D0600-
10	89813522	1	HOSE, FLEXIBLE, , -C0405
11	84021371	1	KIT, REPAIR,
12	84031311	1	CLAMP, , D0600-
13	100067	1	NUT, {PP:80100067} M8 x 1.25", CI 8, M8, D0600-
14	412479	1	SCREW, {PP:80412479} Hex, M8 x 35, 8.8, M8X35, D0600-
15	412144	1	SLOTTED NUT, {PP:80412144} M20 x 1.5, CI 8, M20 x 1.5, D5045-
16	300595	1	PIN, SPLIT (COTTER), {PP:80300595} M4 x 40, , -C5044

08.14A(01) CYLINDER FOR SPOUT DEFLECTORS



ONLY VALID FROM SERIAL NO. --14001

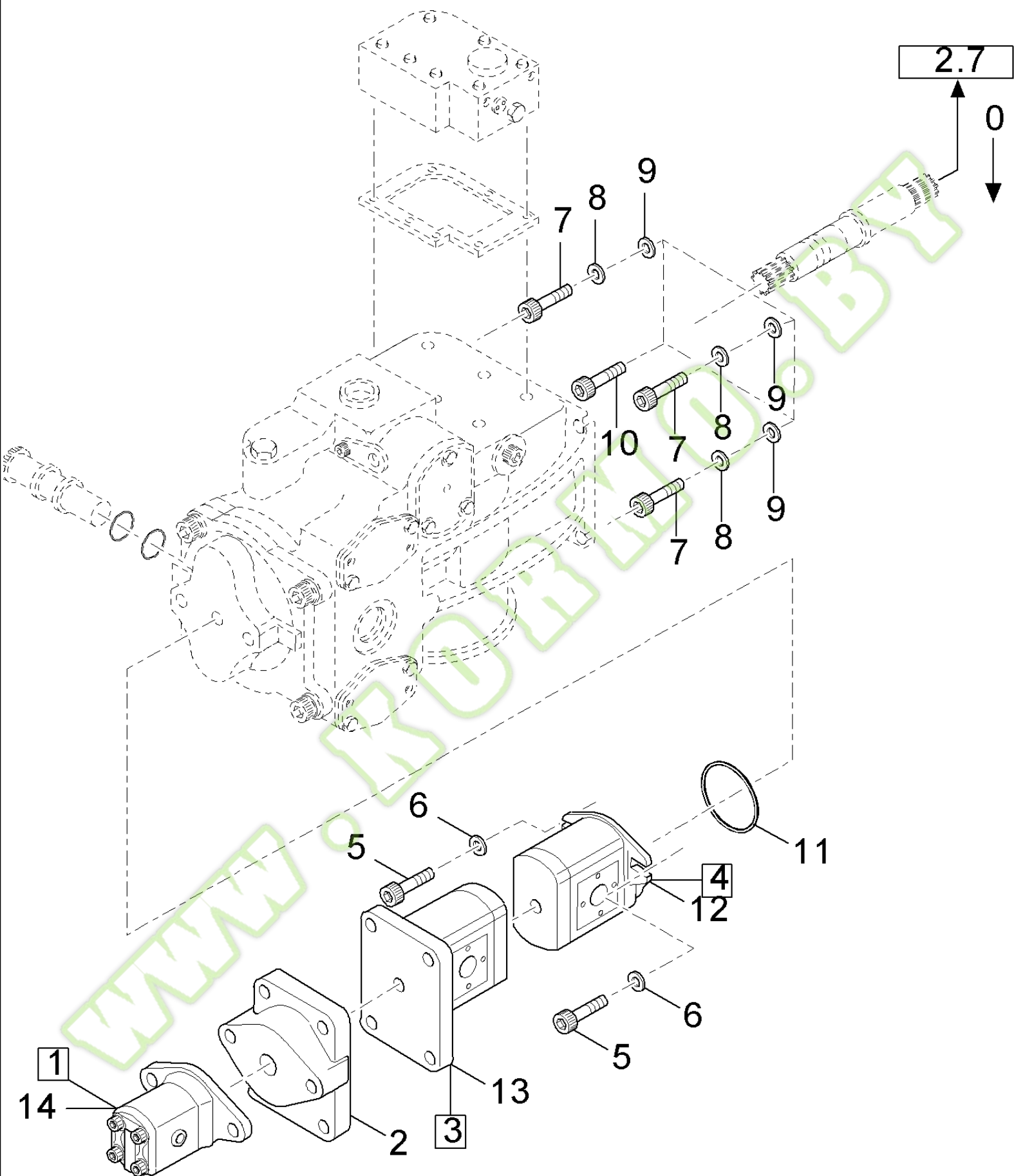
## FX375 NH SELF PROPELLED FORAGE HARVESTER - YELLOW VERSION

## 08.14A(01) CYLINDER FOR SPOUT DEFLECTORS

Ref	Part Number	Qty	Description
1	84017438	1	HYDRAULIC CYLINDER, (2)
2	84023899	1	KIT, SEALS,
3	386215	2	CONNECTOR, HYD., {PP:80386215}
4	418283	2	ELBOW, {PP:80418283}
5	84038148	2	HOSE, FLEXIBLE,
6	412183	8	BOLT, {PP:80412183} Short NK, M10 x 35, CI8.8, Full Thd,
7	140018	8	WASHER, {PP:80140018} M12 x 24 x 2.5,
8	9514390	8	RING, {PP:89514390}
9	140042	8	WASHER, LOCK, {PP:80140042} M10 x 34 x 3, 10MM
10	140045	8	WASHER, LOCK, {PP:80140045} Belleville, M10, 10MM
11	100016	8	NUT, {PP:80100016} M10, CI 8, M10
12	338413	1	SCREW, {PP:80338413} Hex, M6 x 60, 8.8, , FOR FLIPPER KIT ONLY
13	322357	2	WASHER, LOCK, {PP:80322357} Belleville, M6, Belleville, M6, FOR FLIPPER KIT ONLY
14	9706755	1	NUT, {PP:89706755} M6, CI 8, , FOR FLIPPER KIT ONLY
15	84053399	1	VALVE, HYDRAULIC, , FOR FLIPPER KIT ONLY
16	84056509	2	HOSE, FLEXIBLE,
17	371540	AR	TUBE, RIGID, {PP:80371540} d=8MM,L=2M
18	335135	4	NUT, {PP:80335135}
19	335136	4	FERRULE, {PP:80335136}

ONLY VALID FROM SERIAL NO. --14001



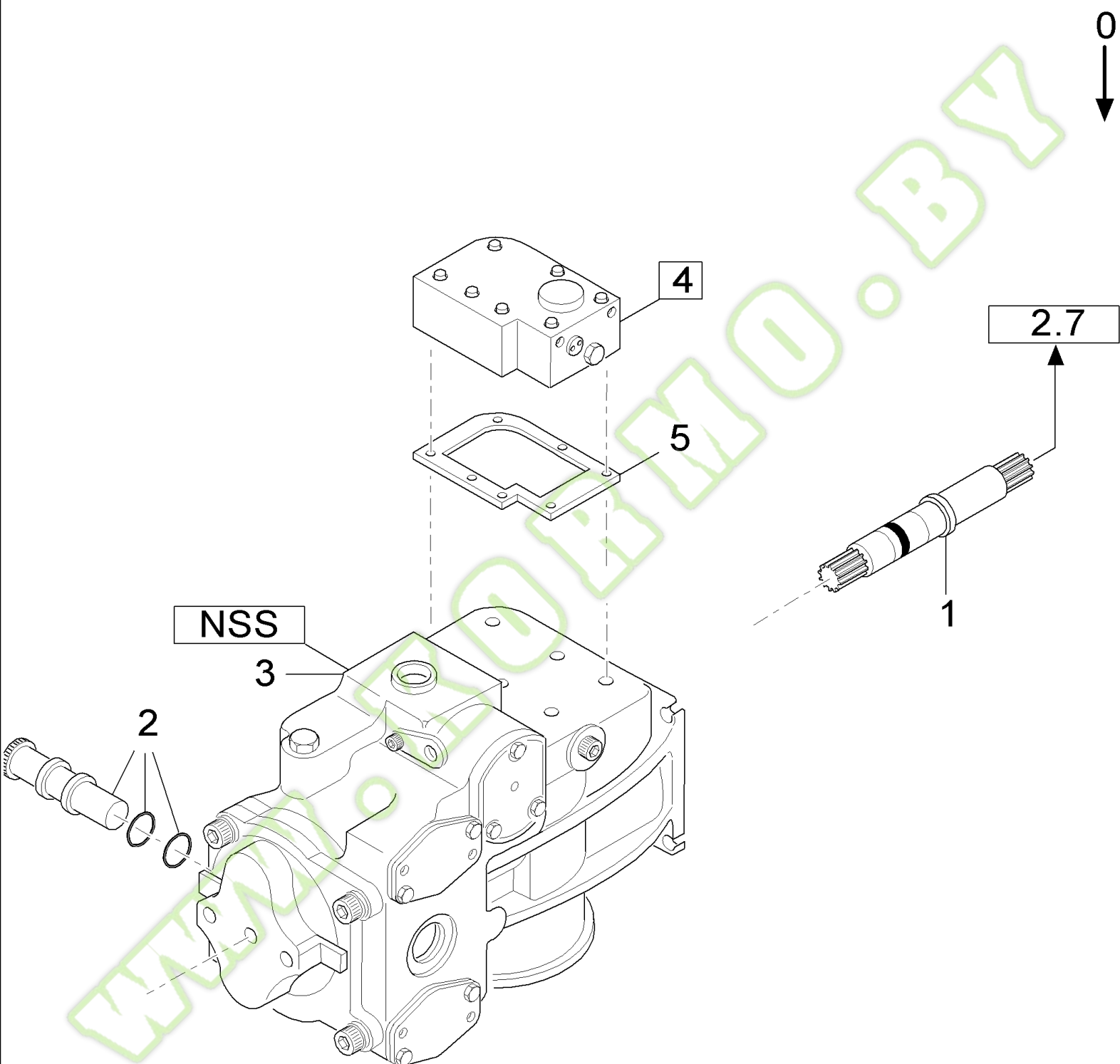


## FX375 NH SELF PROPELLED FORAGE HARVESTER - YELLOW VERSION

## 08.15(01) HYDROSTATIC PUMP

Ref	Part Number	Qty	Description
0	89850501	1	PUMP, HYDRAULIC, (1 TO 4)
1	89811116	1	PUMP, SMALL, 1.7CC (14)
2	84021308	1	BLOCK, COUPLING,
3	89833309	1	PUMP, SMALL, 6CC (13)
4	84021306	1	PUMP, SMALL, 19.22CC (12)
5	82039	2	SCREW, {PP:80082039} Hex Soc Hd, 3/8"-16 x 1 1/4",
6	140078	2	WASHER, {PP:80140078}
7	80300811	3	SCREW, M14X35
8	140047	3	WASHER, LOCK, {PP:80140047}
9	140086	3	WASHER, {PP:80140086}
10	89835745	1	SCREW,
11	84031760	1	O-RING,
12	84031761	2	KIT, SEALS,
13	84031762	1	KIT, SEALS,
14	84031763	1	KIT, SEALS,

WWW.KORMO.BY





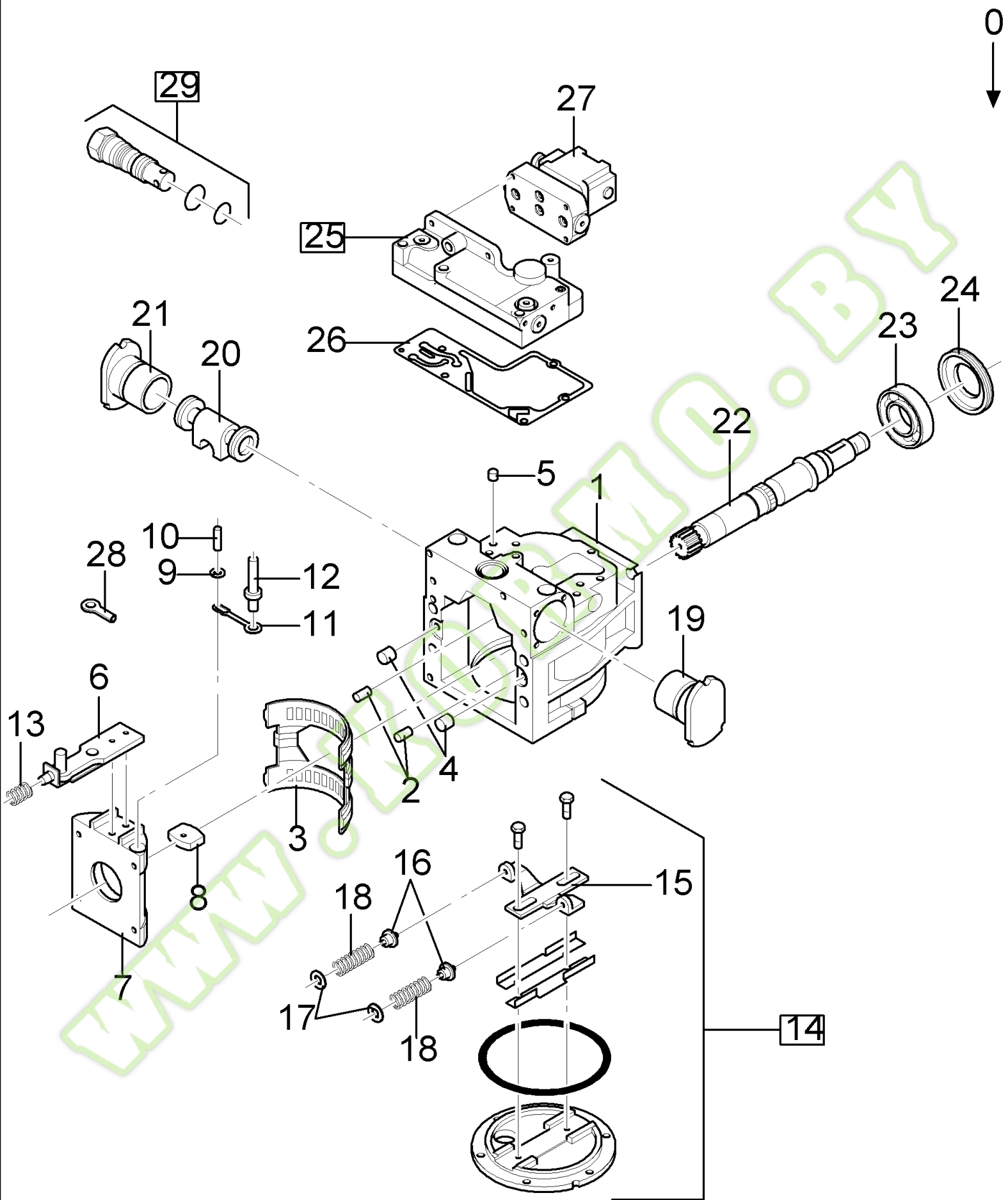
## 08.15A(01) HYDROSTATIC PUMP

Ref	Part Number	Qty	Description
0	89832795	1	PUMP, SMALL, 100CC (1TO5)
1	84031759	1	SHAFT,
2	9832440	2	VALVE, HYDRAULIC, {PP:89832440}
3	9813070	1	KIT, SEALS, {PP:89813070}
4	84019066	1	VALVE, HYDRAULIC, (5)
5	84041983	1	GASKET,

WWW.KORMO.BY

ONLY VALID UNTIL SERIAL NO. --12999





## FX375 NH SELF PROPELLED FORAGE HARVESTER - YELLOW VERSION

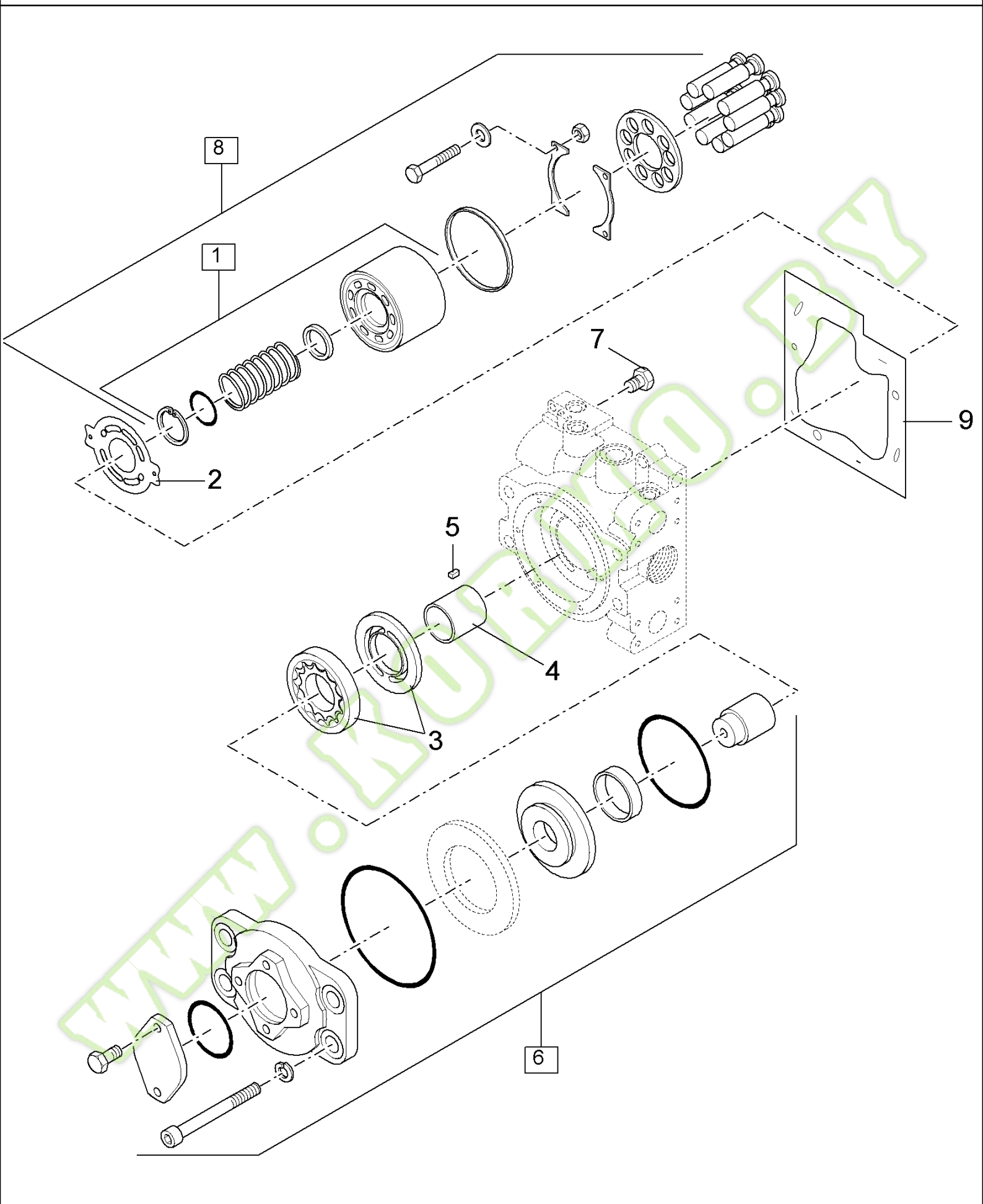
## 08.15B(01) HYDROSTATIC PUMP

Ref	Part Number	Qty	Description
0	84814889	1	PUMP, HYDROSTATIC, 100CC, INCL GROUP 8.15B AND 8.15C
1	9813070	1	KIT, SEALS, {PP:89813070}
2	9813096	2	PIN, {PP:89813096}
3	9813036	1	BEARING ASSY, {PP:89813036}
4	165179	2	PIN, {PP:80165179}
5	9813069	3	FILTER, {PP:89813069}
6	84042129	1	LEVER,
7	84042130	1	SUPPORT,
8	84042131	1	GUIDE,
9	9813094	1	RING, {PP:89813094}
10	9813095	1	PIN, {PP:89813095}
11	9813092	1	CLIP, {PP:89813092}
12	9813093	1	PIN, {PP:89813093}
13	9813048	1	SPRING, {PP:89813048}
14	84043592	1	COVER, (15 TO 18)
15	84043593	1	LEVER,
16	9813034	2	RETAINER, {PP:89813034}
17	9813038	2	WASHER, {PP:89813038}
18	9813039	2	SPRING, {PP:89813039}
19	84042134	2	SHAFT,
20	84043594	1	SHAFT,
21	9813044	1	GUIDE, {PP:89813044}
22	84031759	1	SHAFT, 23T
23	9813010	1	BEARING ASSY, {PP:89813010}
24	9811985	1	RING, {PP:89811985}
25	84041319	1	VALVE, HYDRAULIC, (26,27)
26	84041983	1	GASKET,
27	84041360	1	ELECTROMAGNET,
28	9813045	1	LEVER, {PP:89813045}
29	9832440	2	VALVE, HYDRAULIC, {PP:89832440}

ONLY VALID FROM SERIAL NO. --13001



08.15C(01) HYDROSTATIC PUMP



ONLY VALID FROM SERIAL NO. --13001

## FX375 NH SELF PROPELLED FORAGE HARVESTER - YELLOW VERSION

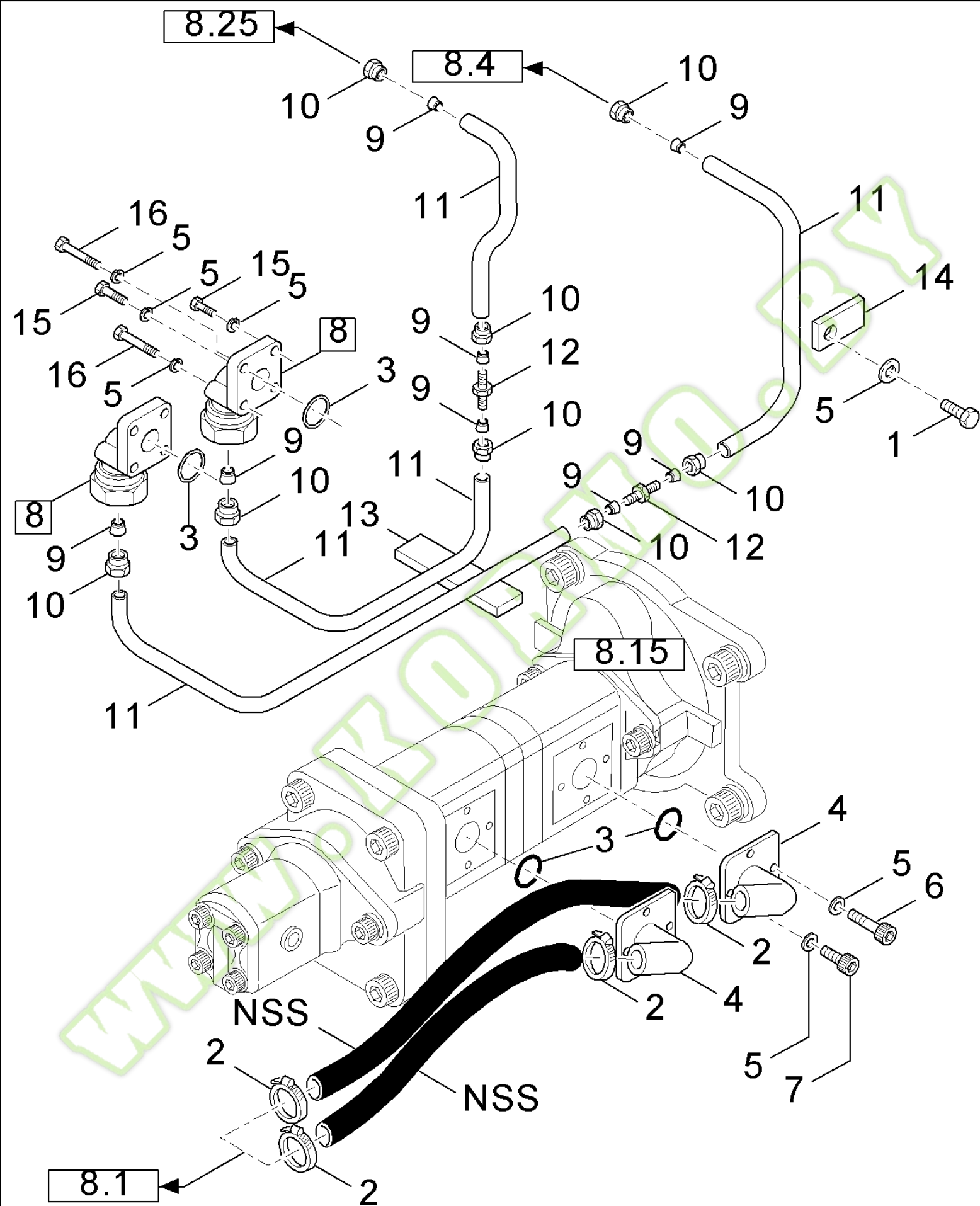
## 08.15C(01) HYDROSTATIC PUMP

Ref	Part Number	Qty	Description
1	9813017	1	KIT, {PP:89813017}
2	84042128	1	DISC,
3	84042135	1	KIT,
4	84042136	1	SHAFT,
5	913545	1	KEY, {PP:80913545}
6	84042133	1	KIT,
7	9813059	2	VALVE, HYDRAULIC, {PP:89813059}
8	84042137	1	KIT, (1,2)
9	84074375	1	GASKET,

WWW.KORMO.BY

ONLY VALID FROM SERIAL NO. --13001

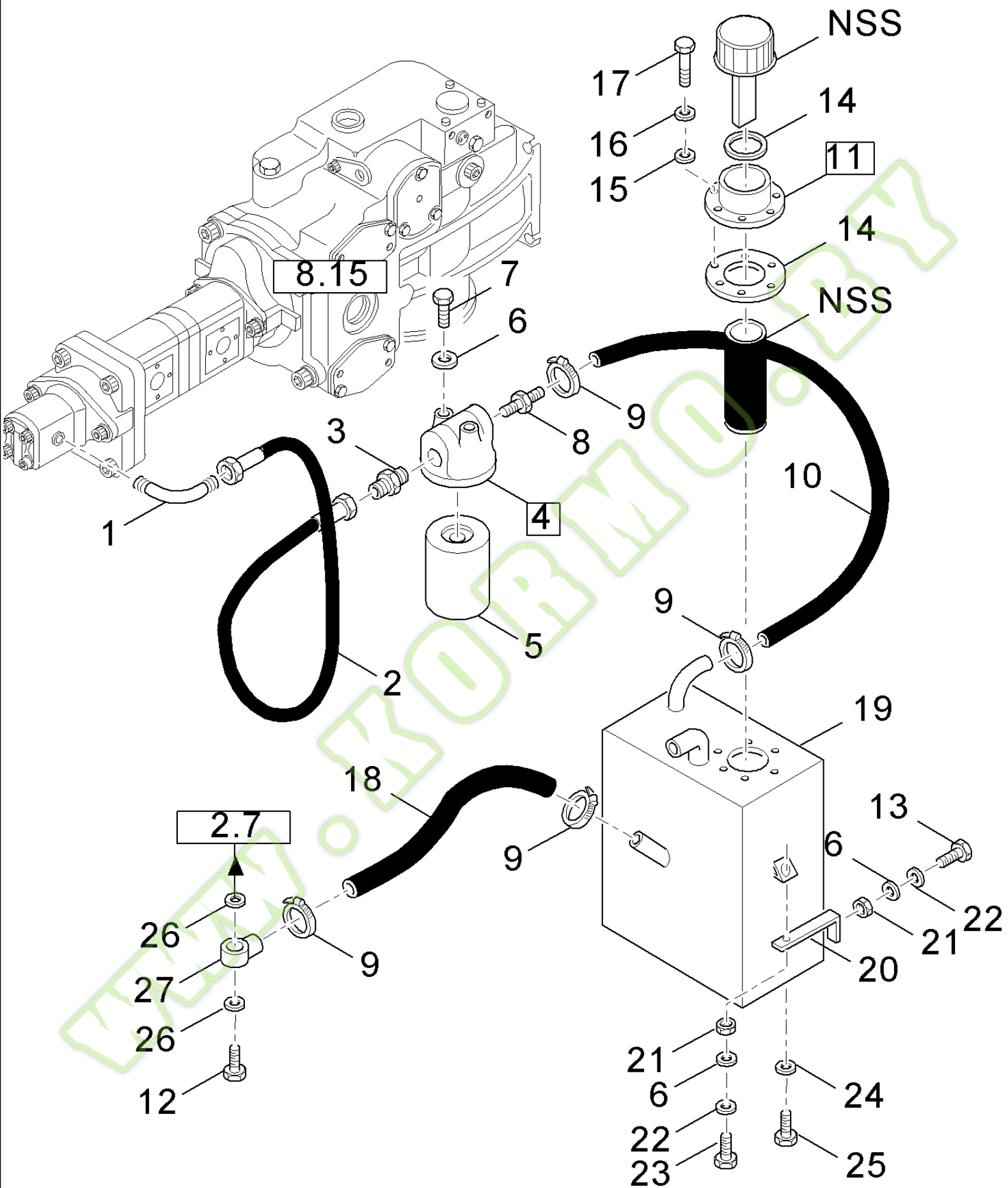




## FX375 NH SELF PROPELLED FORAGE HARVESTER - YELLOW VERSION

## 08.16(01) HYDRAULIC PIPES

Ref	Part Number	Qty	Description
1	300508	1	SCREW, {PP:80300508} Hex, M6 x 45, 8.8, M16X45
2	382527	4	CLAMP, {PP:80382527}
3	167266	2	O-RING, {PP:80167266} 12-1, 90 Duro, .924 ID x .116" Thk, 90 Duro, .924" ID x .116" Thk
4	753432	2	FILTER, {PP:80753432}
5	322357	AR	WASHER, LOCK, {PP:80322357} Belleville, M6, Belleville, M6
6	356464	4	SCREW, {PP:80356464} M6X50
7	84089718	4	SCREW, M6X20
8	337208	2	ELBOW, {PP:80337208} (3,5,15,16)
9	335169	8	FERRULE, {PP:80335169}
10	335171	8	NUT, {PP:80335171}
11	371536	AR	TUBE, RIGID, {PP:80371536} D=16
12	335174	2	CONNECTOR, HYD., {PP:80335174}
13	84000903	1	BRACKET,
14	84031410	1	PLATE, COVER,
15	84089718	4	SCREW, M6 x 20
16	356464	4	SCREW, {PP:80356464} M6 x 50

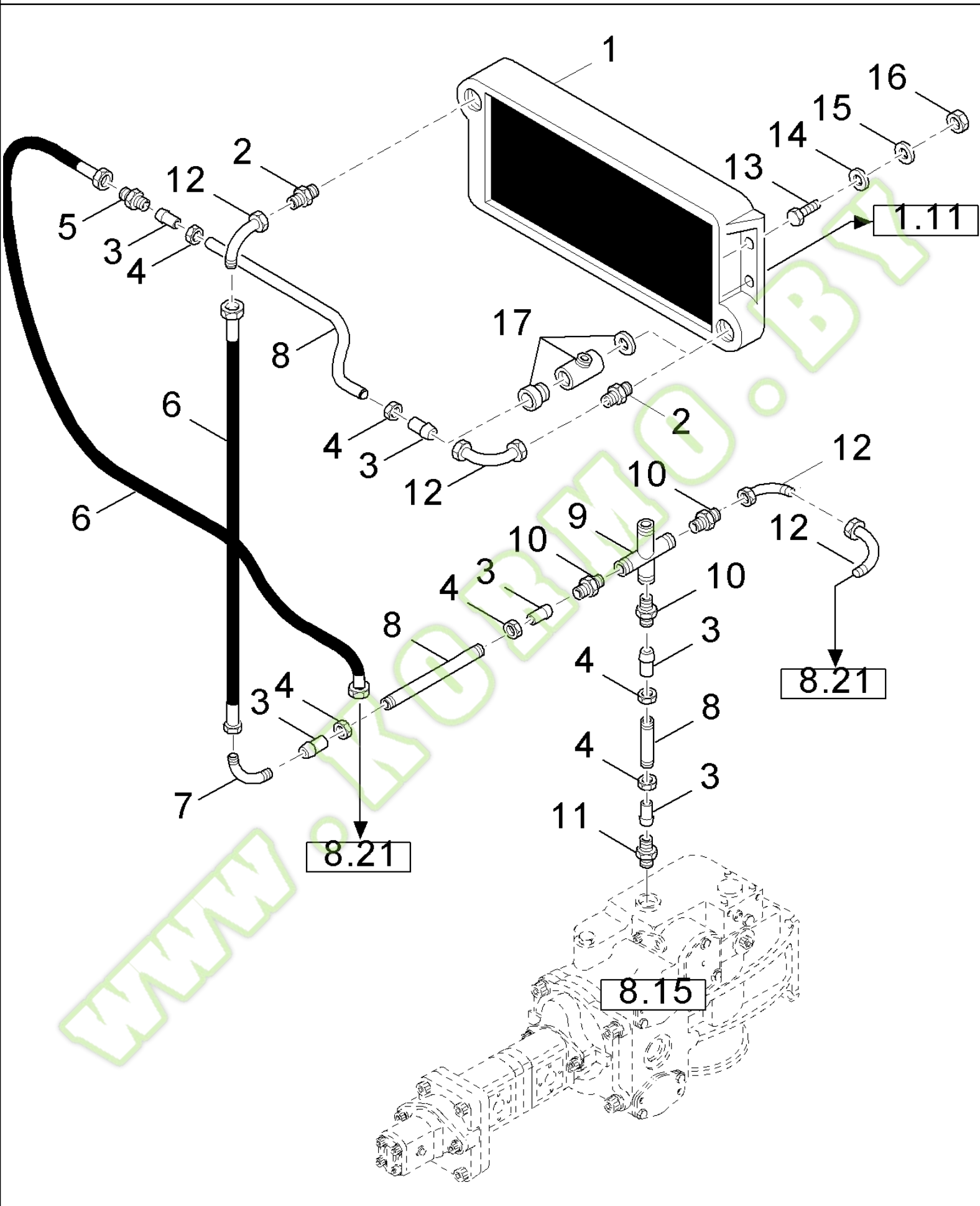




## FX375 NH SELF PROPELLED FORAGE HARVESTER - YELLOW VERSION

## 08.17(01) HYDRAULIC FOR PUMP

Ref	Part Number	Qty	Description
1	128818	1	CONNECTOR, HYD., {PP:80128818} 3/4"-16, 37e x 3/4"-16, O-Ring, , D0900-
1	216797	1	ELBOW, {PP:80216797} 45e, 3/4"-16, 37e x 3/4"-16, O-Ring, , -C0408
2	84032571	1	HOSE, FLEXIBLE,
3	89838173	1	CONNECTOR, HYD.,
4	89833456	1	FILTER, HYDRAULIC OIL, (5)
5	89811117	1	FILTER, ELEMENT,
6	322358	5	WASHER, LOCK, {PP:80322358} Belleville, M8,
7	80120104	2	SCREW, M8X20
8	89835291	1	CONNECTOR, HYD.,
9	382528	4	CLAMP, {PP:80382528}
10	84036847	AR	HOSE,
11	84004871	1	COVER, CAP, (14)
12	89818709	1	SCREW, HOLLOW,
13	43128	1	SCREW, {PP:80043128} Hex, M8 x 30, 8.8, Cap, HH, CL 8.8, M8 x 1.25 x 30
14	84037210	1	KIT, SEALS,
15	373817	6	ELEMENT, SEALING, {PP:80373817}
16	140014	6	WASHER, {PP:80140014} M5,
17	120098	6	SCREW, {PP:80120098} Hex, M5 x 20, 8.8, Full Thd, M5X20
18	84036848	1	HOSE,
19	89833168	1	TANK,
20	84001044	1	PLATE, COVER,
21	100015	3	NUT, {PP:80100015} M8, CI 8, M8
22	140016	3	WASHER, {PP:80140016} M8 x 16 x 1.6,
23	43127	2	BOLT, {PP:80043127} Hex, M8 x 25, 8.8, M8X25
24	722441	1	GASKET,
25	150060	1	PLUG, {PP:80150060}
26	84026508	2	RING,
27	89818710	1	CONNECTOR, HYD.,

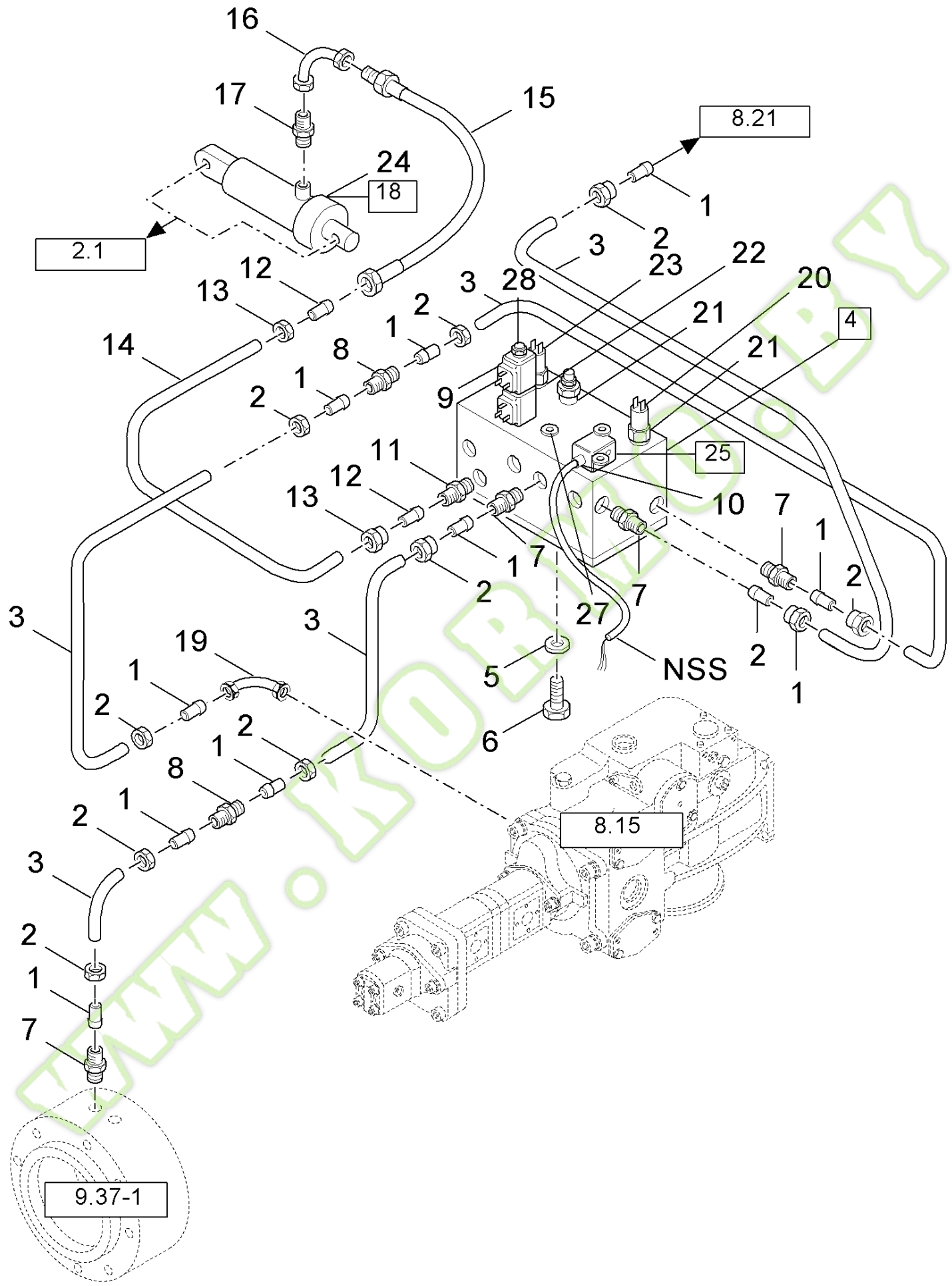


## FX375 NH SELF PROPELLED FORAGE HARVESTER - YELLOW VERSION

## 08.18(01) HYDRAULIC FOR COOLER

Ref	Part Number	Qty	Description
1	9838603	1	RADIATOR, {PP:89838603}
2	447241	2	CONNECTOR, HYD., {PP:80447241}
3	412528	6	FERRULE, {PP:80412528}
4	412527	6	NUT, {PP:80412527}
5	457545	1	CONNECTOR, HYD., {PP:80457545}
6	89813523	2	HOSE, FLEXIBLE,
7	84004868	1	CONNECTOR, HYD.,
8	9811333	AR	TUBE, RIGID, {PP:89811333} D=28
9	918289	1	THERMOSTAT, {PP:80918289}
10	918797	3	CONNECTOR, HYD., {PP:80918797}
11	9511910	1	CONNECTOR, HYD., {PP:89511910}
12	457573	4	ELBOW, {PP:80457573}
13	80120104	4	SCREW, M8X20
14	322358	4	WASHER, LOCK, {PP:80322358} Belleville, M8, 8MM
15	140016	4	WASHER, {PP:80140016} M8 x 16 x 1.6, 8MM
16	100015	4	NUT, {PP:80100015} M8, CI 8, M8
17	89514462	1	CONNECTOR, HYD., , D0600-

08.19(01) HYDRAULIC LINES TO LOW PRESSURE VALVE



ONLY VALID UNTIL SERIAL NO. --13999

## FX375 NH SELF PROPELLED FORAGE HARVESTER - YELLOW VERSION

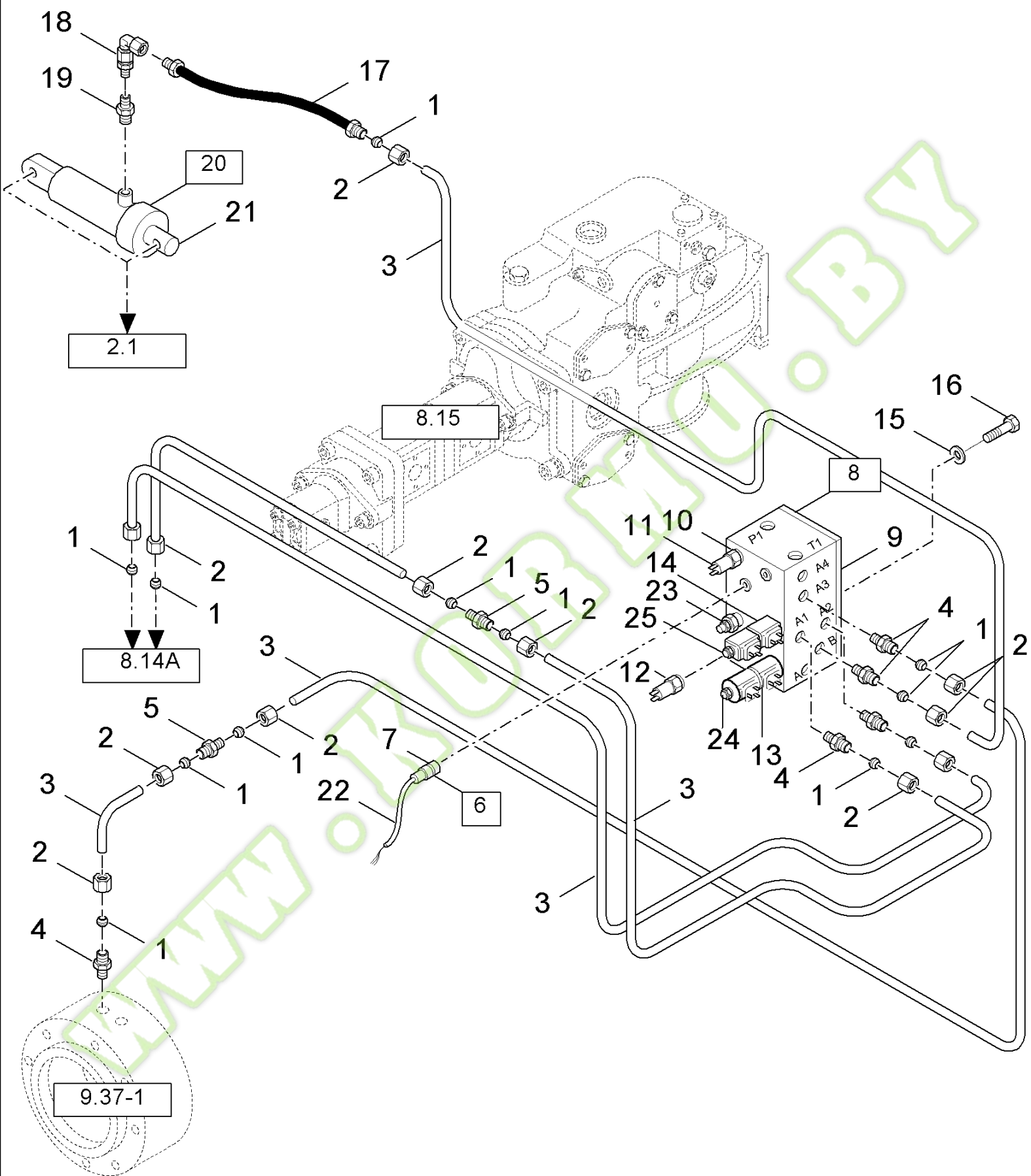
## 08.19(01) HYDRAULIC LINES TO LOW PRESSURE VALVE

Ref	Part Number	Qty	Description
1	335136	10	FERRULE, {PP:80335136}
2	335135	10	NUT, {PP:80335135}
3	371540	AR	TUBE, RIGID, {PP:80371540} D=8
4	84018989	1	VALVE, HYDRAULIC, (9,20 TO 23)
5	322358	2	WASHER, LOCK, {PP:80322358} Belleville, M8, 8MM
6	336199	2	BOLT, {PP:80336199} Hex, M8 x 12, 8.8, Full Thd, M8X12
7	89513082	4	CONNECTOR, HYD.,
8	335172	2	CONNECTOR, HYD., {PP:80335172}
9	84015319	3	ELECTROMAGNET,
10	84038162	1	KIT, SEALS,
11	420522	1	CONNECTOR, HYD., {PP:80420522}
12	150014	2	FERRULE, {PP:80150014}
13	100042	2	NUT, {PP:80100042}
14	371539	AR	TUBE, RIGID, {PP:80371539} D=10
15	424524	1	HOSE, {PP:80424524}
16	418283	1	ELBOW, {PP:80418283}
17	386215	1	CONNECTOR, HYD., {PP:80386215}
18	84007352	1	CYLINDER, (24)
19	84018535	1	ELBOW,
20	84021144	1	SWITCH, ASSY, 5 BAR
21	84021965	1	KIT, SEALS,
22	84011379	2	RING,
23	84004884	1	SWITCH, 24 BAR
24	84026516	1	KIT, SEALS,
25	84038141	1	VALVE, HYDRAULIC, (9,10), 4 WHEEL DRIVE
26	84062508	1	VALVE, HYDRAULIC,
27	84068574	3	VALVE, HYDRAULIC, , INTERNAL
28	84068690	1	VALVE, HYDRAULIC,

ONLY VALID UNTIL SERIAL NO. --13999



08.19A(01) HYDRAULIC LINES TO LOW PRESSURE VALVE



ONLY VALID FROM SERIAL NO. --14001

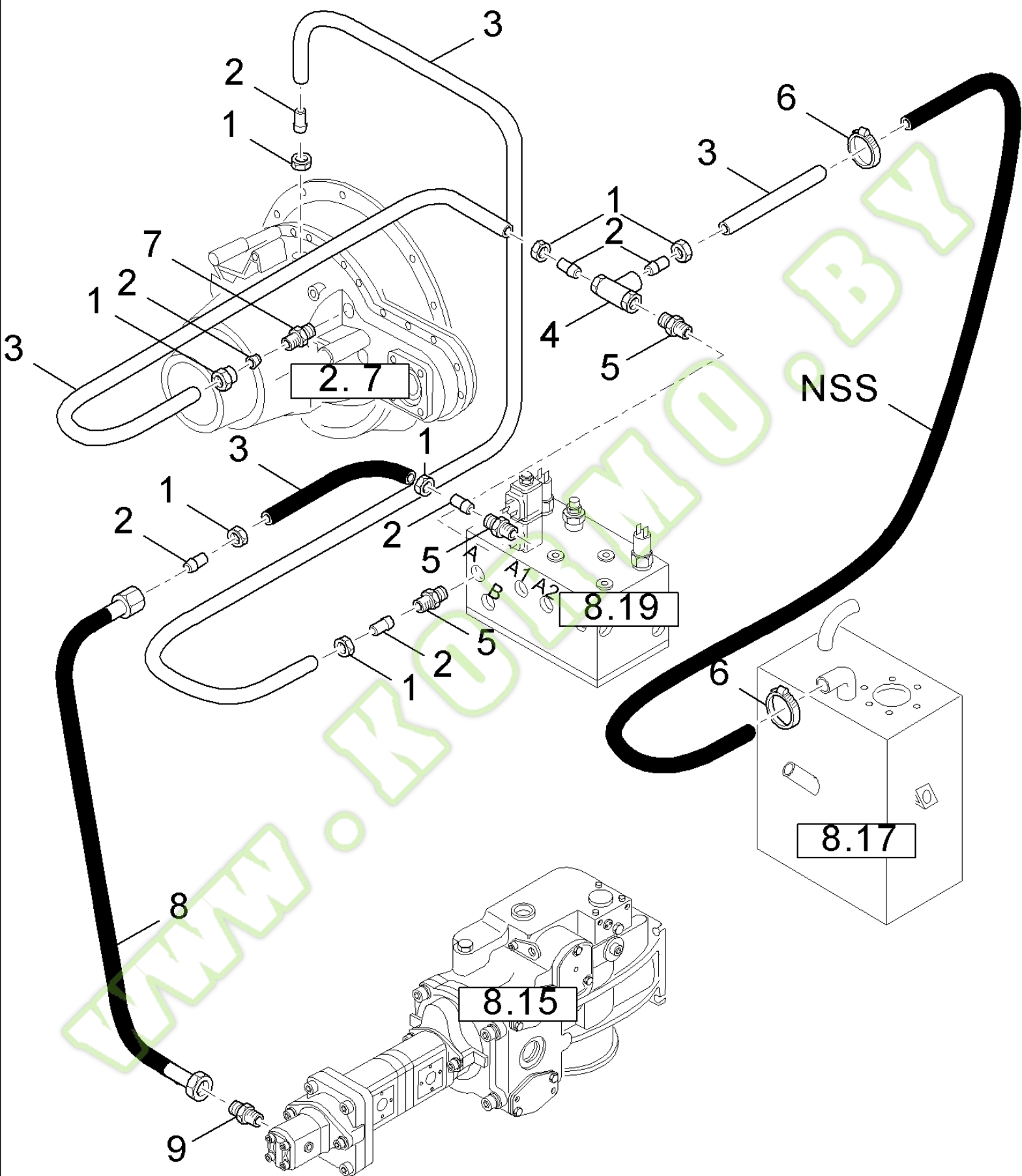
## FX375 NH SELF PROPELLED FORAGE HARVESTER - YELLOW VERSION

## 08.19A(01) HYDRAULIC LINES TO LOW PRESSURE VALVE

Ref	Part Number	Qty	Description
1	335136	12	FERRULE, {PP:80335136}
2	335135	12	NUT, {PP:80335135}
3	371540	AR	TUBE, RIGID, {PP:80371540} D=8
4	89513082	5	CONNECTOR, HYD.,
5	335172	2	CONNECTOR, HYD., {PP:80335172}
6	84038141	1	VALVE, HYDRAULIC, (7,14), 4 WHEEL DRIVE
7	84038162	1	KIT, SEALS, , 4 WHEEL DRIVE
8	84037241	1	VALVE, HYDRAULIC, (9 TO 13)
9	84053805	1	KIT, SEALS,
10	84011379	2	RING,
11	84021144	1	SWITCH, ASSY, 5 BAR
12	84004884	1	SWITCH, 24 BAR
13	84053806	2	ELECTROMAGNET, 12V DC
14	84015319	2	ELECTROMAGNET, 12V DC
15	322358	4	WASHER, LOCK, {PP:80322358} Belleville, M8, 8MM
16	336199	4	BOLT, {PP:80336199} Hex, M8 x 12, 8.8, Full Thd, M8X12
17	424524	1	HOSE, {PP:80424524}
18	418283	1	ELBOW, {PP:80418283}
19	386215	1	CONNECTOR, HYD., {PP:80386215}
20	84007352	1	CYLINDER, (21)
21	84026516	1	KIT, SEALS,
22	84052207	1	HARNESS, WIRE,
23	84062508	1	VALVE, HYDRAULIC,
24	84062745	1	VALVE, HYDRAULIC,
25	84062744	1	VALVE, HYDRAULIC,

ONLY VALID FROM SERIAL NO. --14001







## FX375 NH SELF PROPELLED FORAGE HARVESTER - YELLOW VERSION

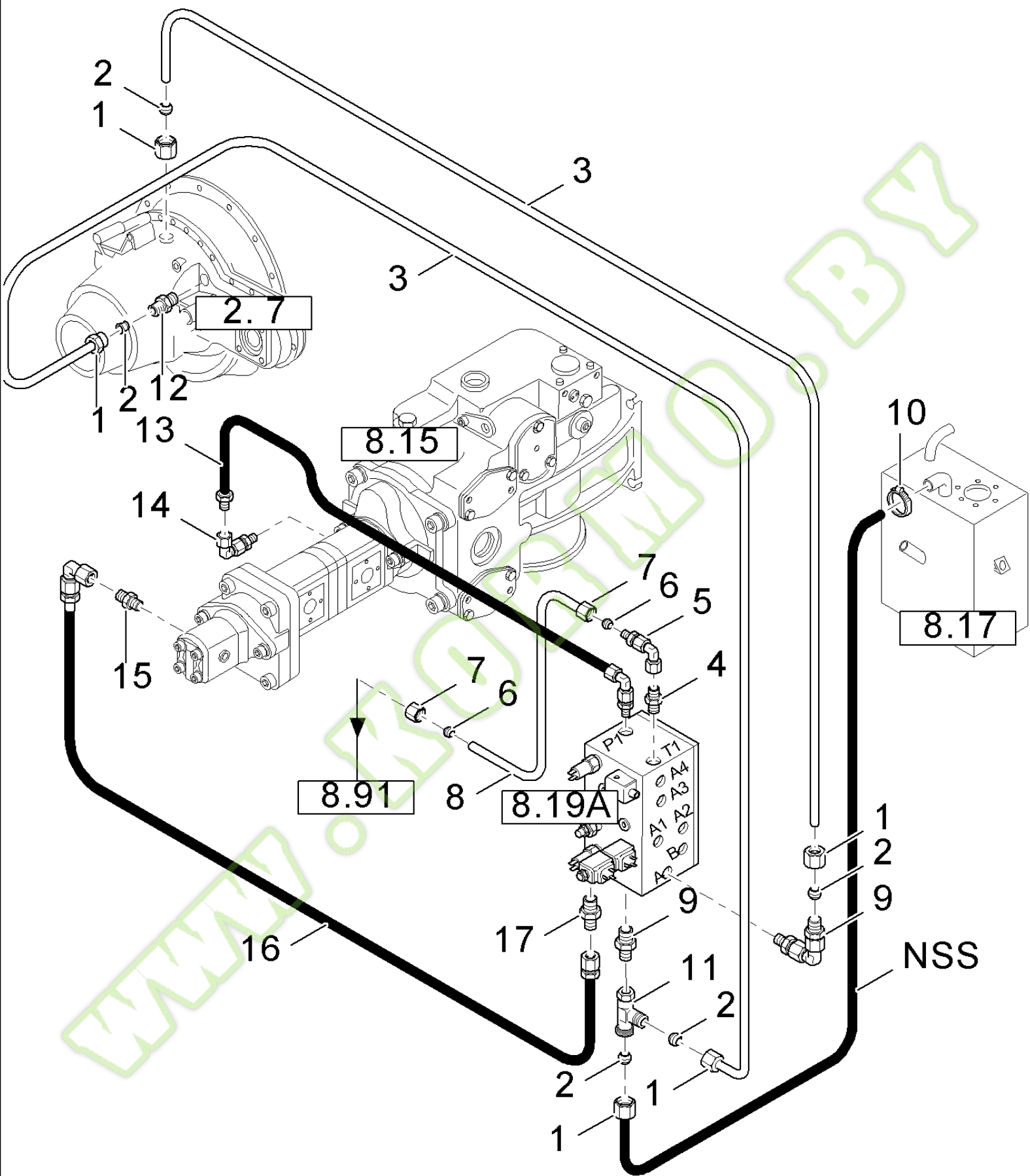
## 08.20(01) HYDRAULIC LINES TO LOW PRESSURE VALVE

Ref	Part Number	Qty	Description
1	100042	7	NUT, {PP:80100042}
2	150014	7	FERRULE, {PP:80150014}
3	371539	AR	TUBE, RIGID, {PP:80371539} D=10
4	734031	1	CONNECTOR, HYD., {PP:80734031}
5	420522	3	CONNECTOR, HYD., {PP:80420522}
6	574518	2	CLAMP, {PP:80574518}
7	395019	1	CONNECTOR, HYD., {PP:80395019}
8	89609066	1	HOSE, FLEXIBLE,
9	76350	1	CONNECTOR, HYD., {PP:80076350} 9/16"-18, 37e x 9/16"-18, O-Ring,

WWW.KORMO.BY

ONLY VALID UNTIL SERIAL NO. --13999





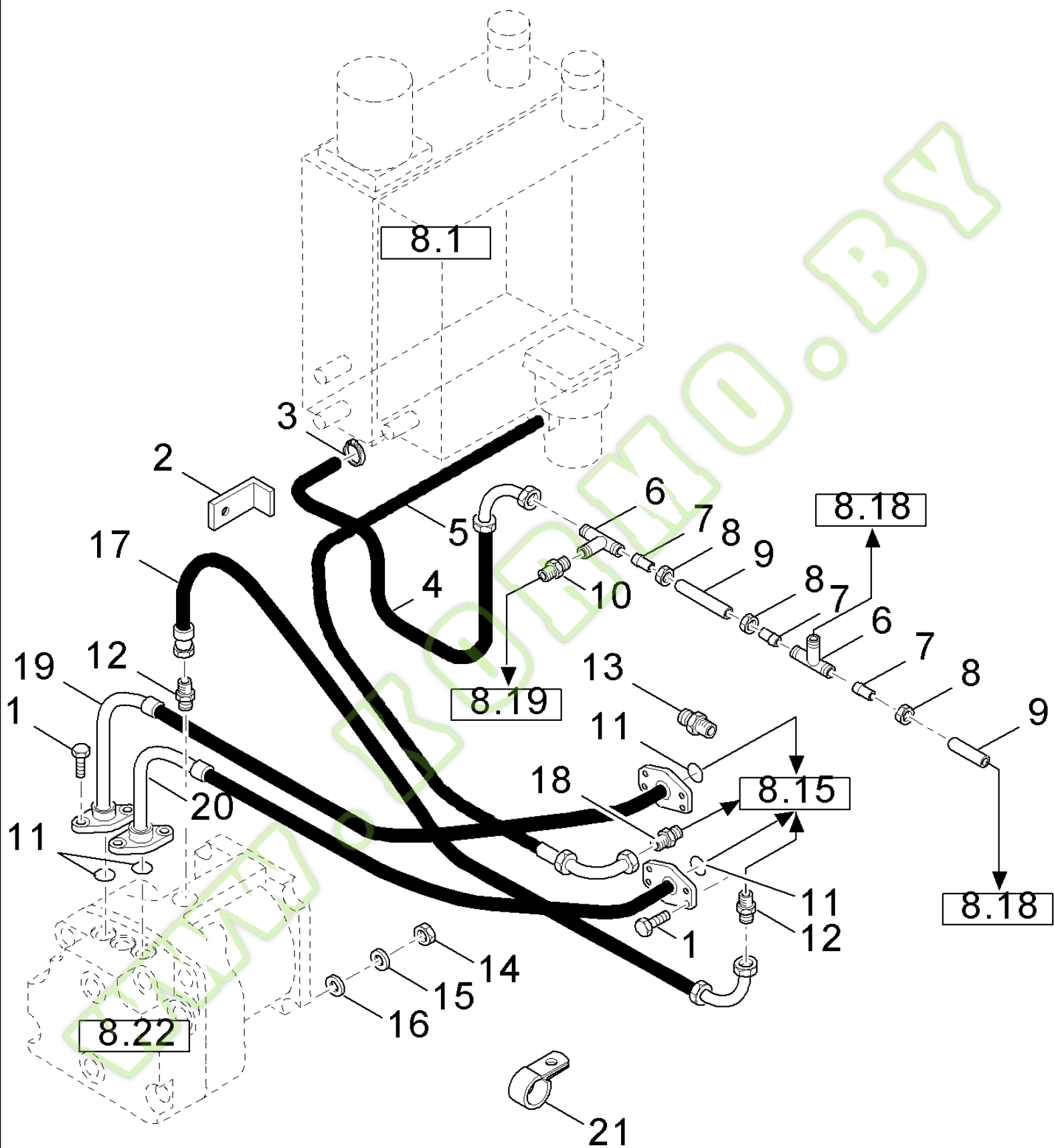
## FX375 NH SELF PROPELLED FORAGE HARVESTER - YELLOW VERSION

## 08.20A(01) HYDRAULIC LINES TO LOW PRESSURE VALVE

Ref	Part Number	Qty	Description
1	100042	5	NUT, {PP:80100042}
2	150014	5	FERRULE, {PP:80150014}
3	371539	AR	TUBE, RIGID, {PP:80371539} D=10
4	89513082	2	CONNECTOR, HYD.,
5	418283	1	ELBOW, {PP:80418283}
6	335136	2	FERRULE, {PP:80335136}
7	335135	2	NUT, {PP:80335135}
8	371540	AR	TUBE, RIGID, {PP:80371540} D=8
9	420522	1	CONNECTOR, HYD., {PP:80420522}
10	574518	2	CLAMP, {PP:80574518}
11	734031	1	CONNECTOR, HYD., {PP:80734031}
12	395019	1	CONNECTOR, HYD., {PP:80395019}
13	84052145	1	HOSE, FLEXIBLE,
14	84018535	1	ELBOW,
15	76350	1	CONNECTOR, HYD., {PP:80076350} 9/16"-18, 37e x 9/16"-18, O-Ring,
16	84045344	1	HOSE, FLEXIBLE,
17	84045343	1	CONNECTOR, HYD.,

ONLY VALID FROM SERIAL NO. --14001

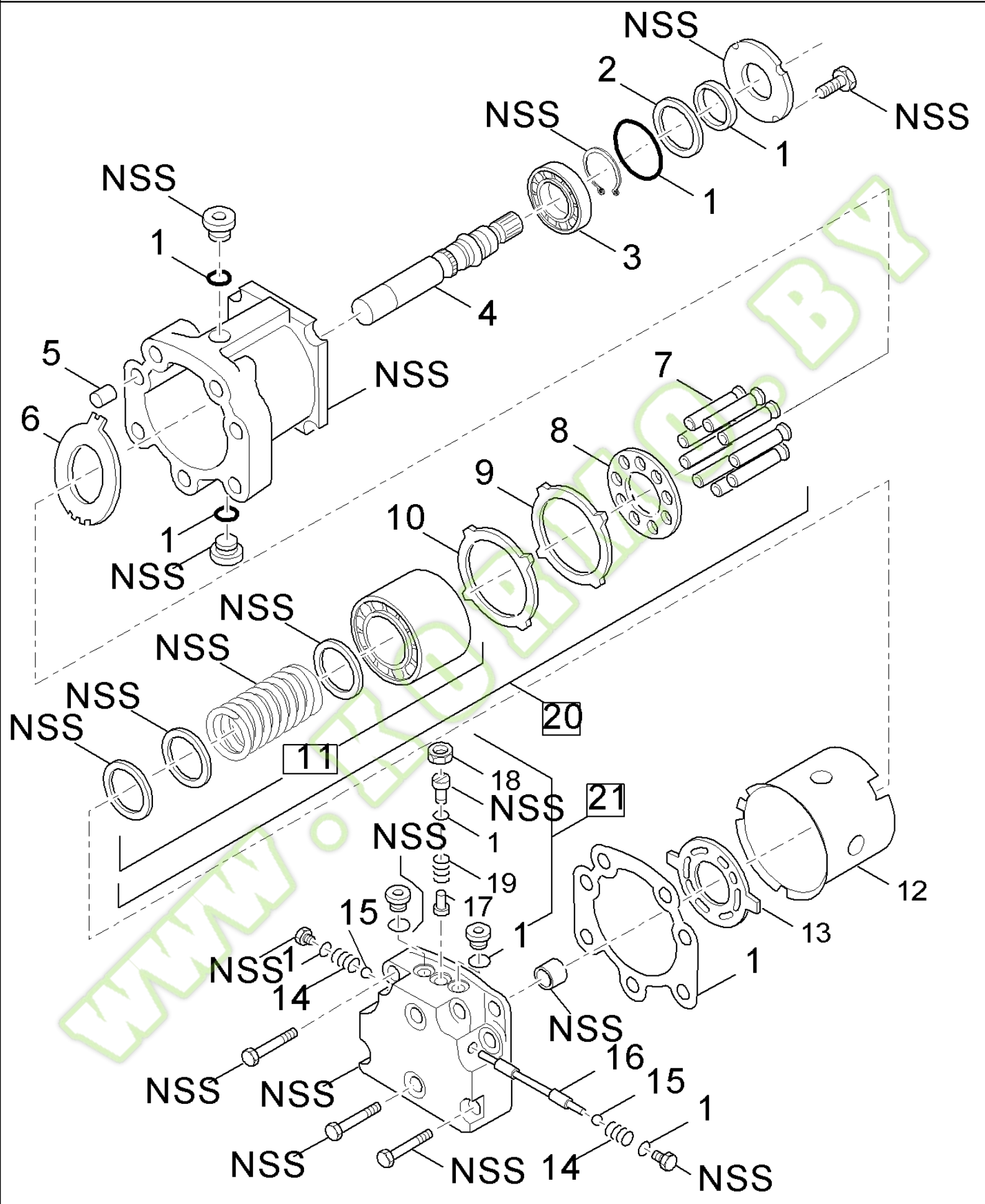




## FX375 NH SELF PROPELLED FORAGE HARVESTER - YELLOW VERSION

## 08.21(01) HYDRAULIC LINES TO HYDROSTATIC MOTOR

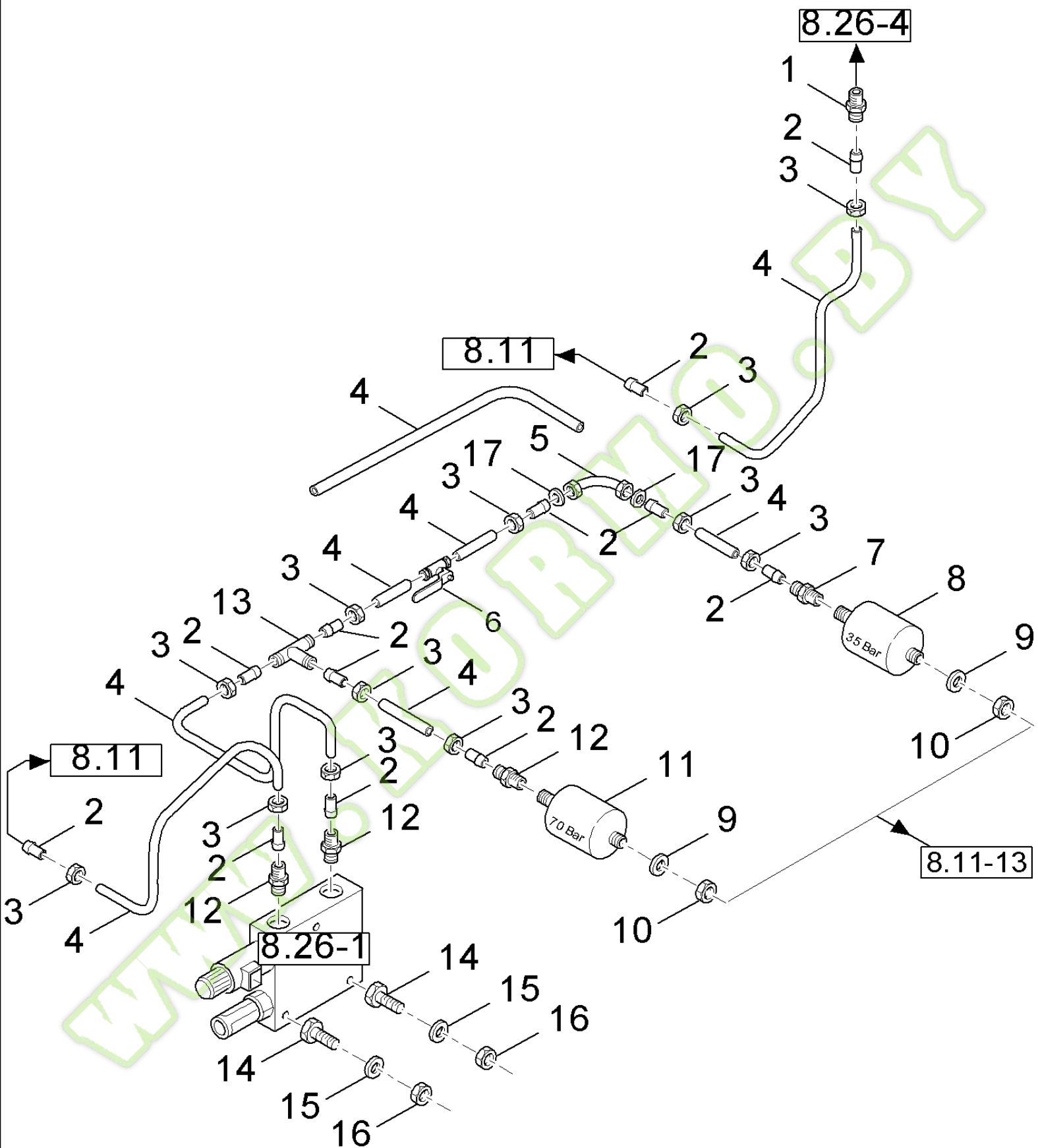
Ref	Part Number	Qty	Description
1	84015552	16	SCREW, Hex, 7/16"-14 x 1/2", 12.9,
2	743320	2	SUPPORT, {PP:80743320}
3	382528	1	CLAMP, {PP:80382528}
4	84023083	1	HOSE, FLEXIBLE,
5	84023081	1	HOSE,
6	919687	2	CONNECTION, 3 WAY, {PP:80919687}
7	412528	3	FERRULE, {PP:80412528}
8	412527	3	NUT, {PP:80412527}
9	9811333	AR	TUBE, RIGID, {PP:89811333} D=28
10	84015503	1	CONNECTOR, HYD.,
11	353108	4	O-RING, {PP:80353108} -219, 70 Duro, 1.296" ID x .139" Thk,
12	322896	2	CONNECTOR, HYD., {PP:80322896} 1 1/16"-12, 37e x 1 1/16"-12, O-Ring,
13	84021707	1	CONNECTOR, HYD., , D0900-
14	337475	4	NUT, {PP:80337475} M12, CI 10, M12
15	140046	4	WASHER, LOCK, {PP:80140046} Belleville, M12, 12MM
16	140086	4	WASHER, {PP:80140086}
17	89811844	1	HOSE, FLEXIBLE,
18	89811842	1	CONNECTOR, HYD.,
19	89811687	1	HOSE, FLEXIBLE,
20	89811688	1	HOSE, FLEXIBLE,
21	701318	1	CLAMP, {PP:80701318} Hex Soc Hd, 5/16"-18 x 1 1/2",



## FX375 NH SELF PROPELLED FORAGE HARVESTER - YELLOW VERSION

## 08.22(01) HYDROSTATIC MOTOR

Ref	Part Number	Qty	Description
0	89511750	1	MOTOR, HYDRAULIC, (1 TO 19)
1	9813027	1	KIT, SEALS, {PP:89813027}
10	84042001	1	RING,
2	9811985	1	RING, {PP:89811985}
3	9813010	1	BEARING ASSY, {PP:89813010}
4	9813011	1	SHAFT, {PP:89813011}
5	165179	2	PIN, {PP:80165179}
6	84042002	1	PLATE, THRUST,
7	9832432	9	PISTON, {PP:89832432}
8	84032403	1	RETAINER,
9	9813015	1	RING, {PP:89813015}
11	9813017	1	KIT, {PP:89813017}
12	84032404	1	COVER,
13	9813019	1	PLATE, COVER, {PP:89813019}
14	9832434	2	SPRING, {PP:89832434}
15	9832435	2	RING, {PP:89832435}
16	9832436	1	VALVE, HYDRAULIC, {PP:89832436}
17	9813026	1	BEARING, CONE, {PP:89813026} , -C5064
18	9813024	1	NUT, {PP:89813024} , -C5064
19	9813025	1	SPRING, {PP:89813025} , -C5064
20	84041311	1	KIT, (7 TO 11), D5065-
21	84042152	1	VALVE, HYDRAULIC, , D5065-

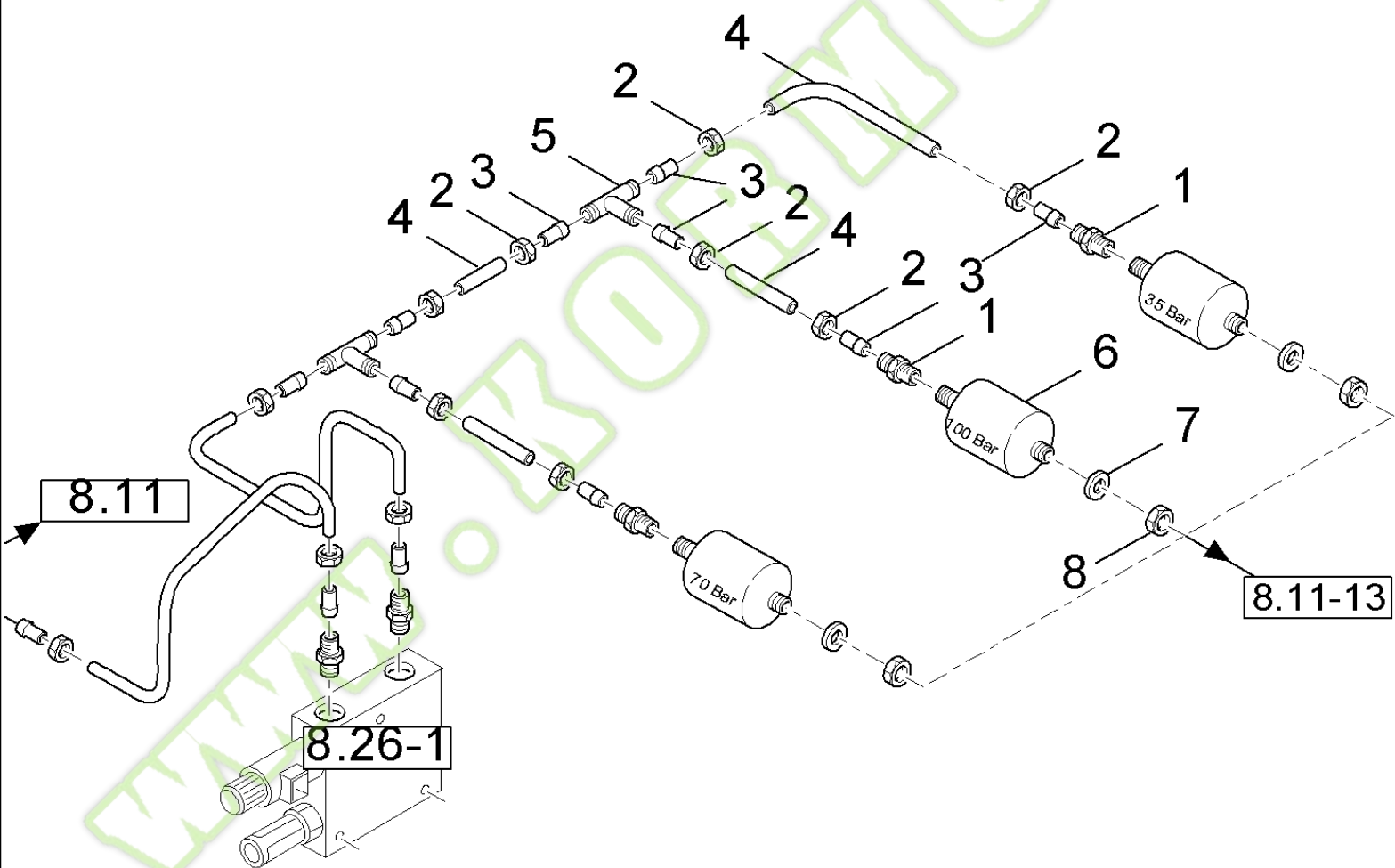
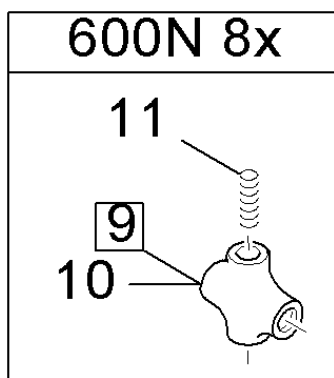




## FX375 NH SELF PROPELLED FORAGE HARVESTER - YELLOW VERSION

## 08.23(01) ACCUMULATORS

Ref	Part Number	Qty	Description
1	9516261	1	CONNECTOR, HYD., {PP:89516261}
2	150015	12	FERRULE, {PP:80150015}
3	100043	12	NUT, {PP:80100043}
4	9513719	AR	TUBE, RIGID, {PP:89513719} D=12
5	9508529	1	ELBOW, {PP:89508529} (17)
6	84018410	1	DRAINCOCK/TAP, SUPPLY, , -C0412
7	84018409	1	CONNECTOR, HYD.,
8	84018081	1	ACCUMULATOR, 35 BAR
9	140110	2	WASHER, {PP:80140110}
10	308823	2	NUT, {PP:80308823} M28 x 1.5, CI 8, M28X1.5
11	84018325	1	ACCUMULATOR, 70 BAR
12	395782	3	CONNECTOR, HYD., {PP:80395782}
13	150019	1	CONNECTION, 3 WAY, {PP:80150019}
14	397985	2	BOLT, {PP:80397985} Hex, M6 x 70, 8.8, Full Thd, M6X70
15	322357	2	WASHER, LOCK, {PP:80322357} Belleville, M6, Belleville, M6
16	9706755	2	NUT, {PP:89706755} M6, CI 8, M6
17	87008S94	2	O-RING, {PP:83416160}

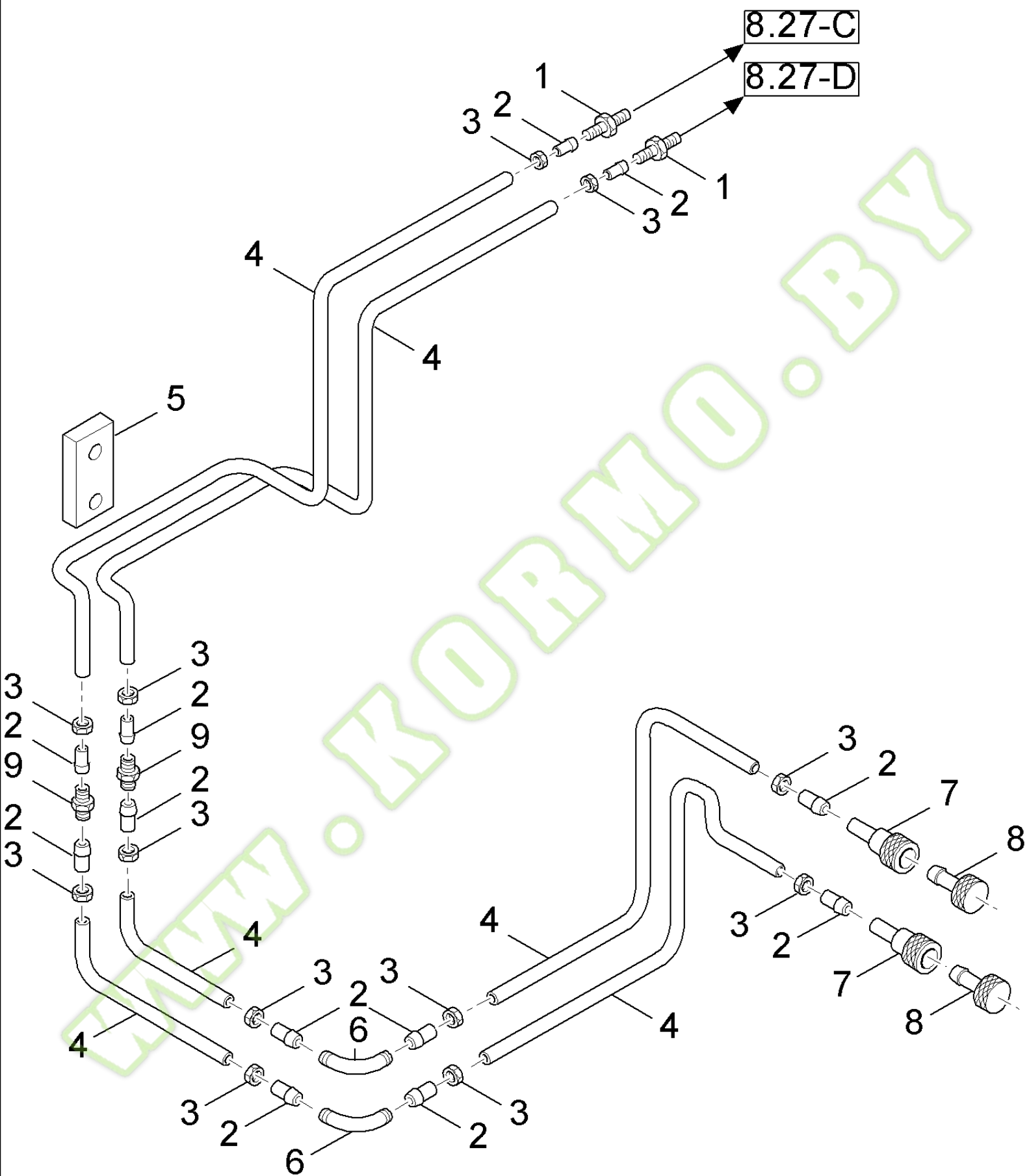


## FX375 NH SELF PROPELLED FORAGE HARVESTER - YELLOW VERSION

## 08.23B(01) FLOTATION KIT "KEMPER 4500" AND "600N8X"

Ref	Part Number	Qty	Description
1	395782	2	CONNECTOR, HYD., {PP:80395782}
2	100043	6	NUT, {PP:80100043}
3	150015	6	FERRULE, {PP:80150015}
4	9513719	AR	TUBE, RIGID, {PP:89513719}
5	150019	1	CONNECTION, 3 WAY, {PP:80150019}
6	84041544	1	ACCUMULATOR, 100 BAR
7	140110	1	WASHER, {PP:80140110}
8	308823	1	NUT, {PP:80308823} M28 x 1.5, CI 8, M28X1.5
9	420773	1	VALVE, HYDRAULIC, {PP:80420773} (10,11), FOR 600N8X ONLY
10	84011927	1	KIT, SEALS, , FOR 600N8X ONLY
11	84017807	1	SPRING, , FOR 600N8X ONLY

WWW.KORMO.BY

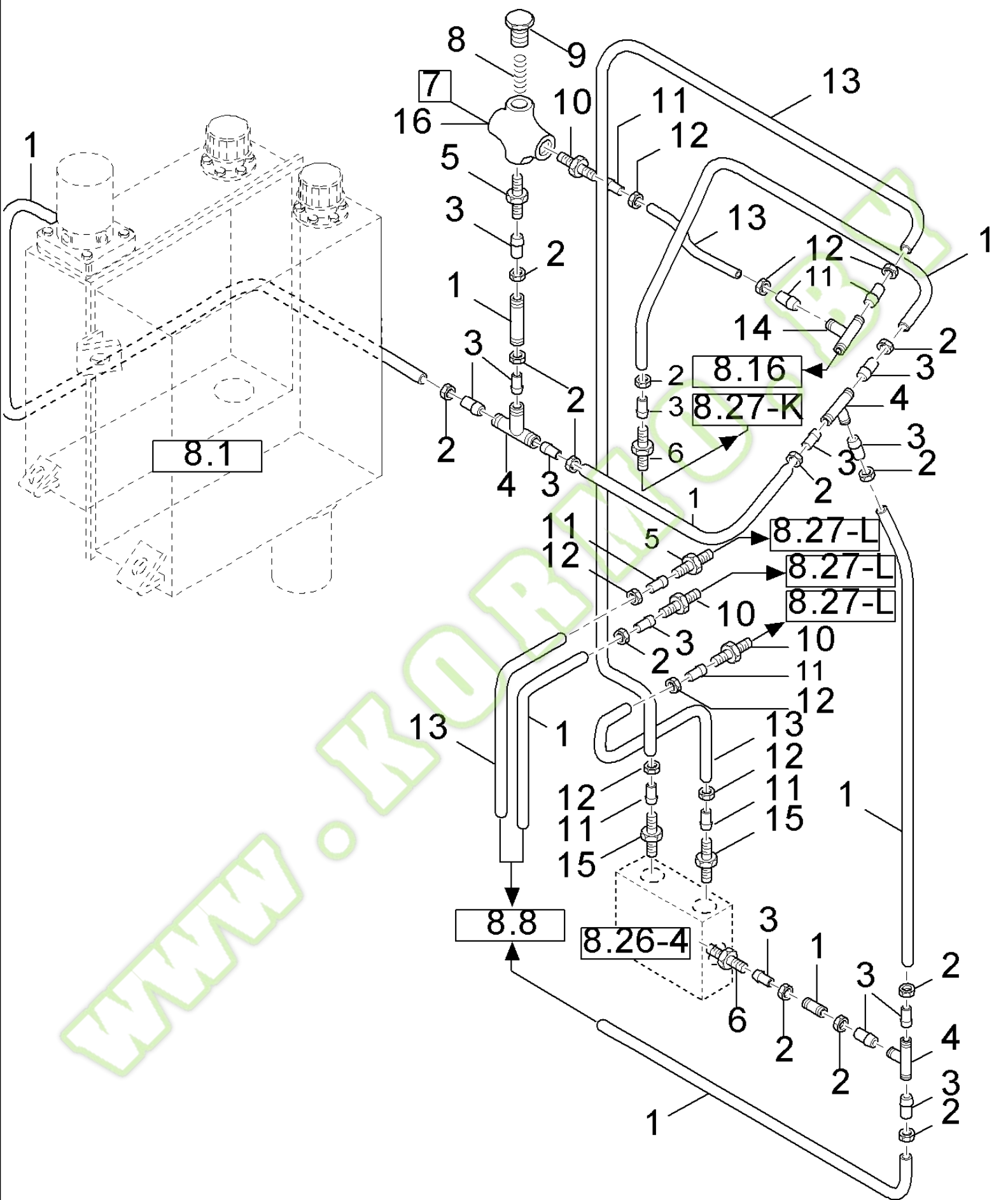


## FX375 NH SELF PROPELLED FORAGE HARVESTER - YELLOW VERSION

## 08.24(01) REAR HYDRAULIC LINES

Ref	Part Number	Qty	Description
1	395782	2	CONNECTOR, HYD., {PP:80395782}
2	150015	12	FERRULE, {PP:80150015}
3	100043	12	NUT, {PP:80100043}
4	9513719	AR	TUBE, RIGID, {PP:89513719} D=12
5	434097	1	BRACKET, {PP:80434097}
6	84014046	2	ELBOW,
7	84018988	2	COUPLING, QUICK, MALE,
8	266220	2	DUST CAP, {PP:80266220}
9	150018	2	CONNECTOR, HYD., {PP:80150018}

WWW.KORMO.BY



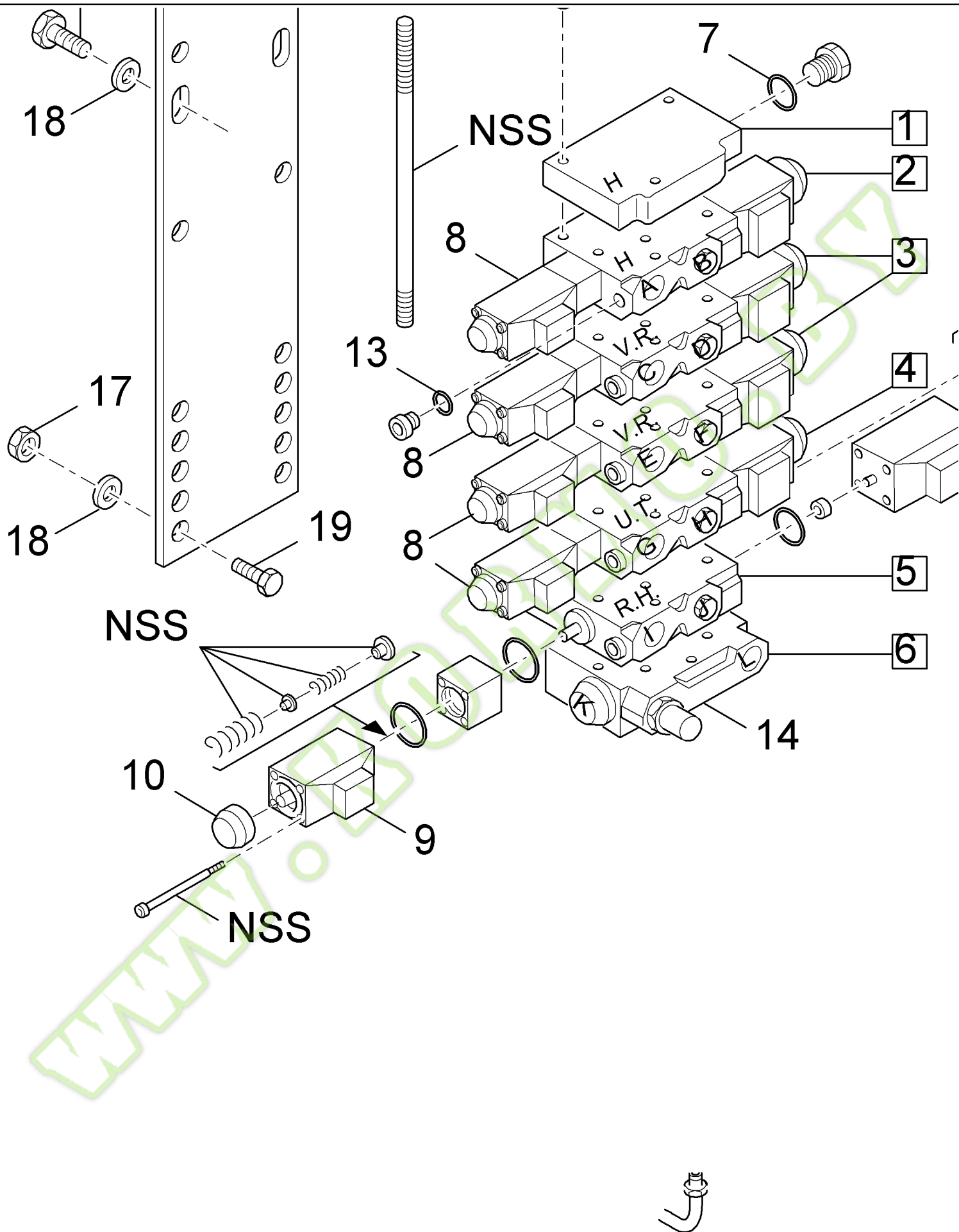
## FX375 NH SELF PROPELLED FORAGE HARVESTER - YELLOW VERSION

## 08.25(01) HYDRAULIC LINES TO MAIN VALVE

Ref	Part Number	Qty	Description
1	371534	AR	TUBE, RIGID, {PP:80371534} D=18
2	335170	14	NUT, {PP:80335170}
3	335168	14	FERRULE, {PP:80335168}
4	379431	3	CONNECTION, 3 WAY, {PP:80379431}
5	394373	1	CONNECTOR, HYD., {PP:80394373}
6	9501819	2	CONNECTOR, HYD., {PP:89501819}
7	9513728	1	VALVE, PRESSURE RELIEF, {PP:89513728} (8,9,16)
8	9813875	2	SPRING, {PP:89813875}
9	417006	1	PLUG, {PP:80417006}
10	394372	2	CONNECTOR, HYD., {PP:80394372}
11	335169	6	FERRULE, {PP:80335169}
12	335171	6	NUT, {PP:80335171}
13	371536	AR	TUBE, RIGID, {PP:80371536} D=16
14	444325	1	CONNECTION, 3 WAY, {PP:80444325}
15	9516263	2	CONNECTOR, HYD., {PP:89516263}
16	84011927	1	KIT, SEALS,

ONLY VALID UNTIL SERIAL NO. --12999







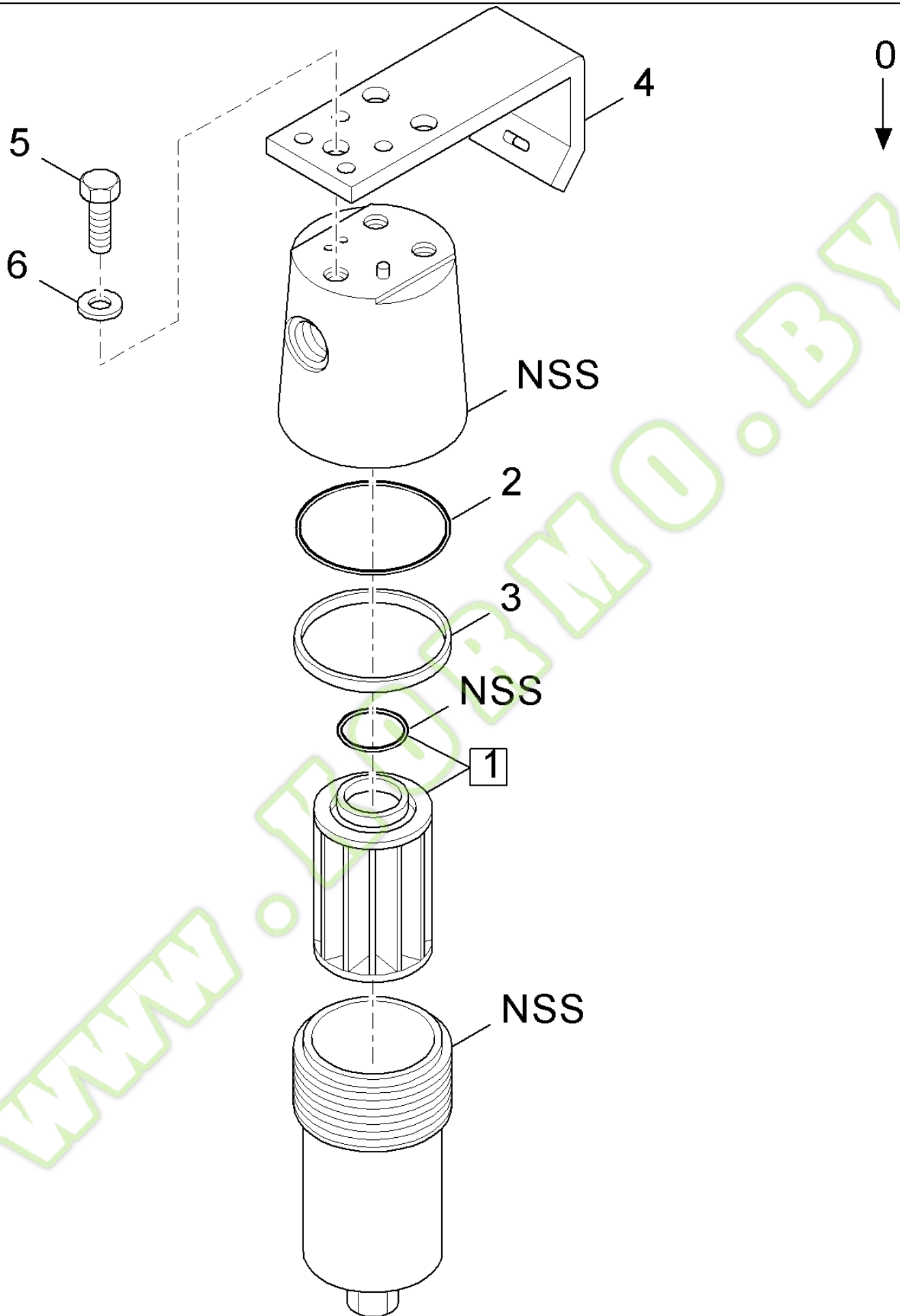
## FX375 NH SELF PROPELLED FORAGE HARVESTER - YELLOW VERSION

## 08.25A(01) HYDRAULIC LINES TO MAIN VALVE

Ref	Part Number	Qty	Description
1	371534	AR	TUBE, RIGID, {PP:80371534} D=18
2	335170	14	NUT, {PP:80335170}
3	335168	14	FERRULE, {PP:80335168}
4	379431	1	CONNECTION, 3 WAY, {PP:80379431}
5	394373	1	CONNECTOR, HYD., {PP:80394373}
6	9501819	2	CONNECTOR, HYD., {PP:89501819}
7	9513728	1	VALVE, PRESSURE RELIEF, {PP:89513728} (8,9,16)
8	9813875	2	SPRING, {PP:89813875}
9	417006	1	PLUG, {PP:80417006}
10	394372	2	CONNECTOR, HYD., {PP:80394372}
11	335169	6	FERRULE, {PP:80335169}
12	335171	6	NUT, {PP:80335171}
13	371536	AR	TUBE, RIGID, {PP:80371536} D=16
14	444325	1	CONNECTION, 3 WAY, {PP:80444325}
15	9516263	2	CONNECTOR, HYD., {PP:89516263}
16	84011927	1	KIT, SEALS,
17	84019177	1	ELBOW,
18	89839382	1	VALVE, HYDRAULIC,
19	84042443	1	CONNECTOR, HYD.,
20	84042442	2	CONNECTION, 3 WAY,
21	9850809	2	CONNECTOR, HYD., {PP:89850809}

ONLY VALID FROM SERIAL NO. --13001





## FX375 NH SELF PROPELLED FORAGE HARVESTER - YELLOW VERSION

## 08.25B(01) HIGH PRESSURE FILTER

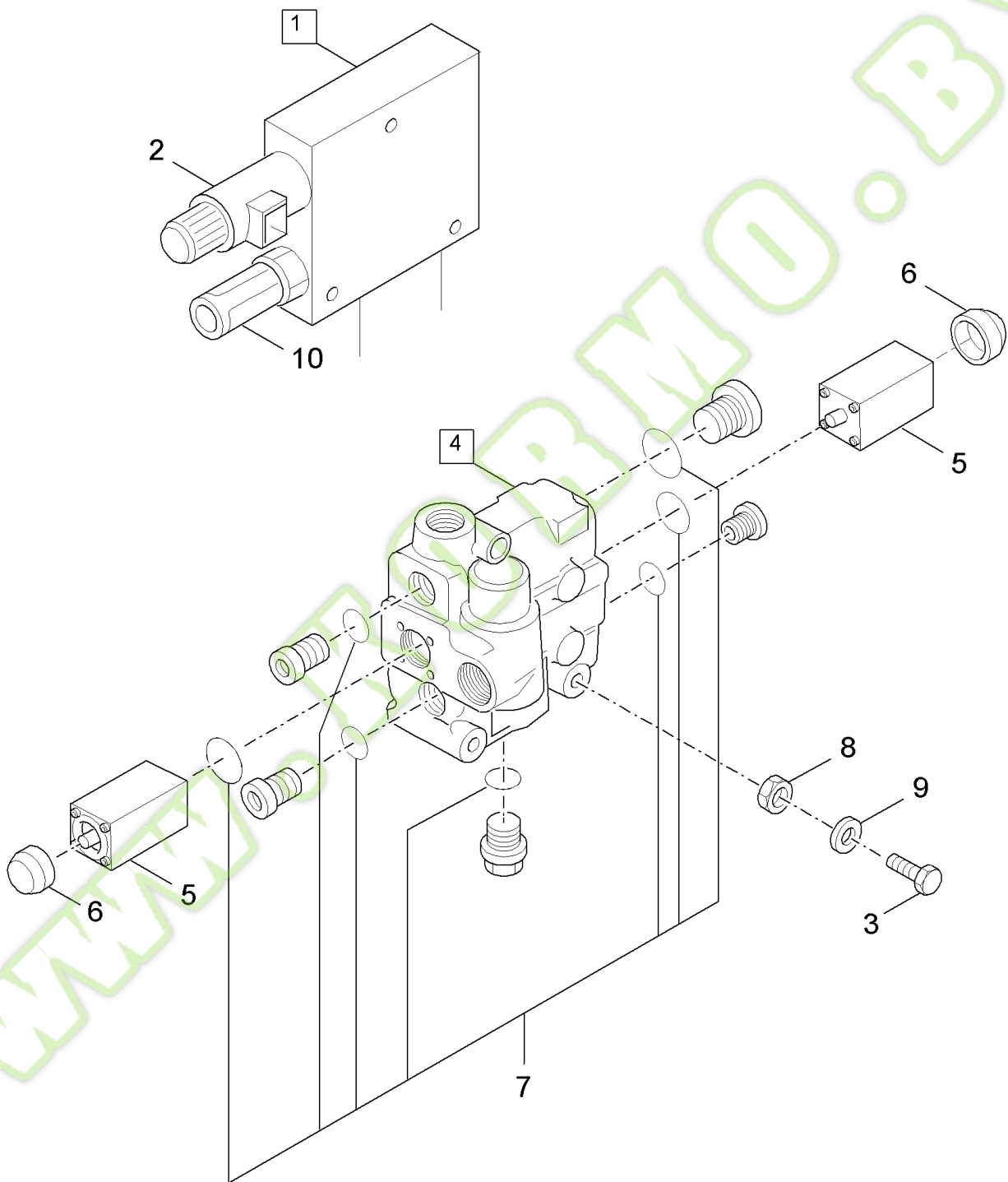
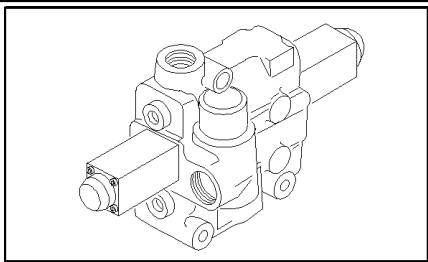
Ref	Part Number	Qty	Description
0	84000128	1	FILTER, HYDRAULIC OIL,
1	84004451	1	FILTER, ELEMENT,
2	84032330	1	O-RING,
3	84032329	1	RING,
4	84042445	1	SUPPORT,
6	322358	3	WASHER, LOCK, {PP:80322358} Belleville, M8, 8MM
5	16043224	3	SCREW, Hex, M8 x 16, 8.8, Full Thd, M8X16

WWW.KORMO.BY

ONLY VALID FROM SERIAL NO. --13001

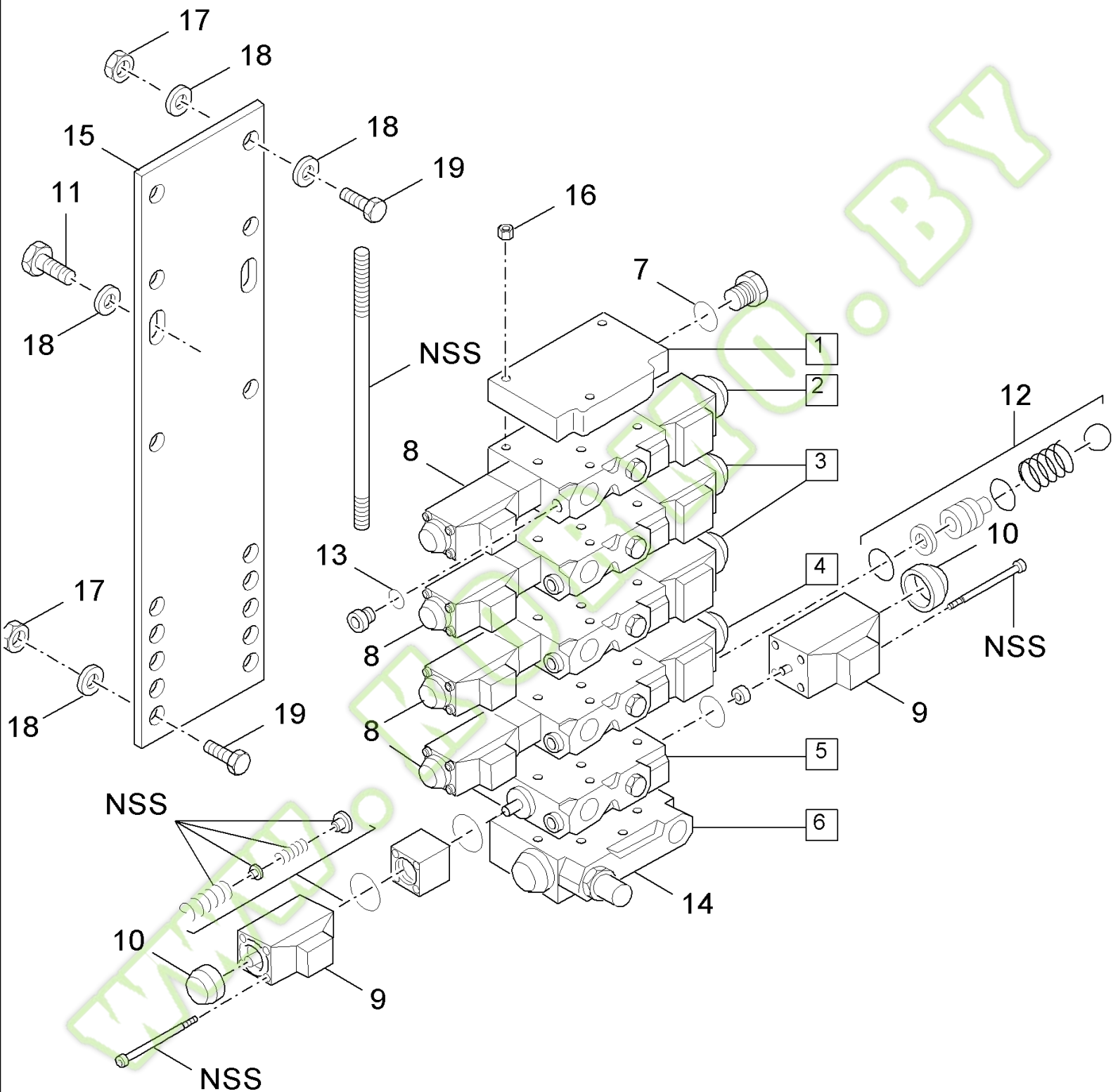


08.26(01) COMPENSATION VALVE AND "E.M.R." VALVE



Ref	Part Number	Qty	Description
1	9831828	1	VALVE, HYDRAULIC, {PP:89831828} (2,3)
2	9831827	1	ELECTROMAGNET, {PP:89831827}
3	120063	3	SCREW, {PP:80120063} Hex, M8 x 80, 8.8, M8X80
4	84043954	1	VALVE, HYDRAULIC, (5,6,7), EMR
5	84004402	2	ELECTROMAGNET,
6	84014430	1	PROTECTION CAP,
7	84014429	1	KIT, SEALS,
8	100015	3	NUT, {PP:80100015} M8, CI 8, M8
9	322358	3	WASHER, LOCK, {PP:80322358} Belleville, M8, 8MM
10	84817017	1	SENSOR,

WWW.KORMO.BY



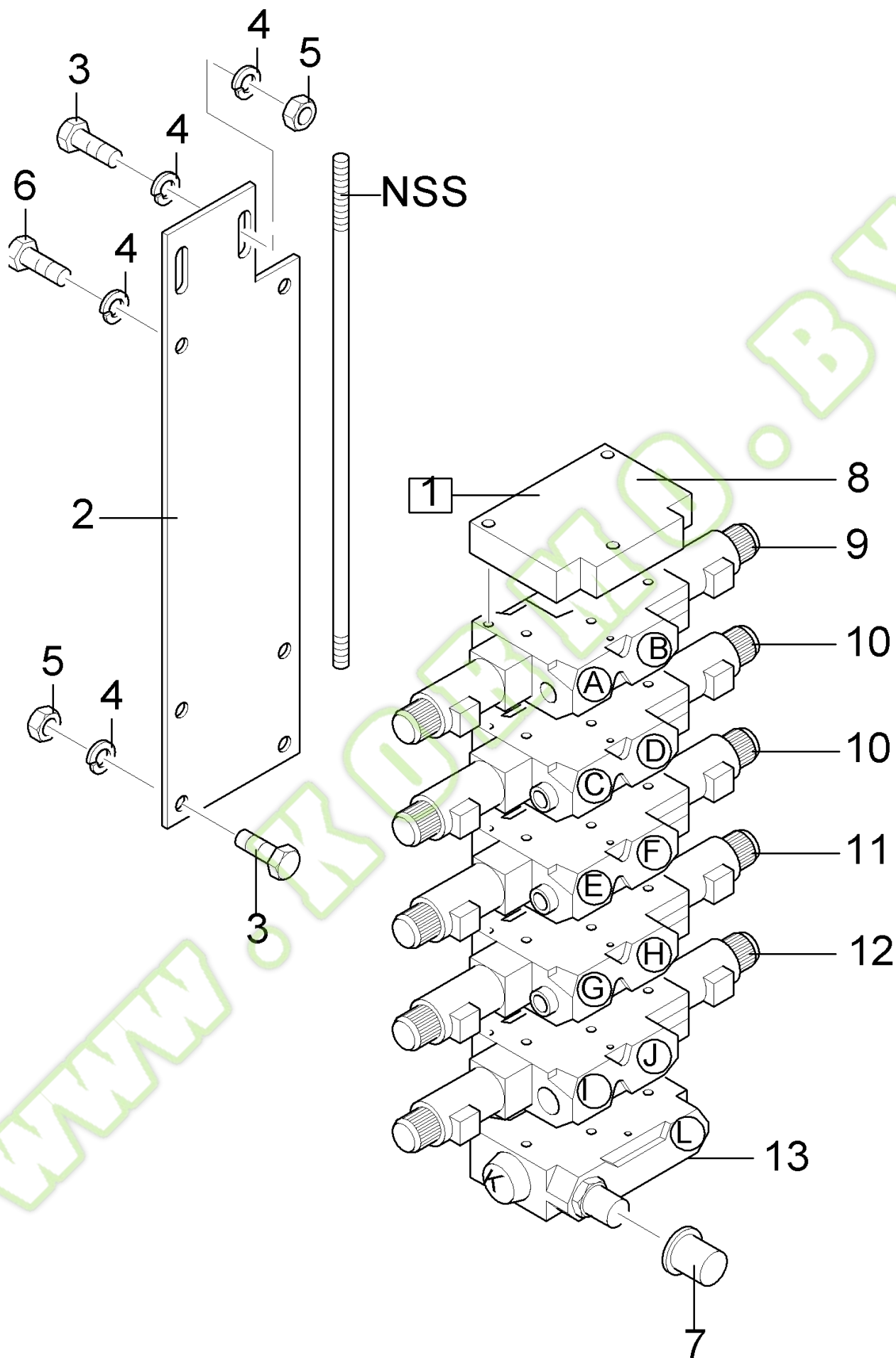
## FX375 NH SELF PROPELLED FORAGE HARVESTER - YELLOW VERSION

08.27(01) VALVE

Ref	Part Number	Qty	Description
0	89833024	1	VALVE, HYDRAULIC, (1 TO13)
1	84022625	1	VALVE, HYDRAULIC, (7)
2	84014249	1	VALVE, HYDRAULIC, (8 TO 13)
3	84014252	2	VALVE, HYDRAULIC, (8 TO 13)
4	84022550	1	VALVE, HYDRAULIC, (8 TO 13)
5	84022552	1	VALVE, HYDRAULIC, (8 TO 13)
6	84022626	1	VALVE SEAT, (14)
7	220022	3	GASKET, {PP:80220022}
8	84014433	5	KIT, SEALS,
9	84014432	10	ELECTROMAGNET,
10	84014430	10	PROTECTION CAP,
12	84014434	10	KIT, REPAIR,
13	84014436	AR	O-RING,
14	84014431	1	KIT, SEALS,
15	84007583	1	SUPPORT,
16	100067	3	NUT, {PP:80100067} M8 x 1.25", CI 8, M8
17	100015	4	NUT, {PP:80100015} M8, CI 8, M8
18	322358	9	WASHER, LOCK, {PP:80322358} Belleville, M8, 8MM
19	43127	4	BOLT, {PP:80043127} Hex, M8 x 25, 8.8, M8X25
11	16043224	3	SCREW, Hex, M8 x 16, 8.8, Full Thd, M8X16

ONLY VALID UNTIL --5032999







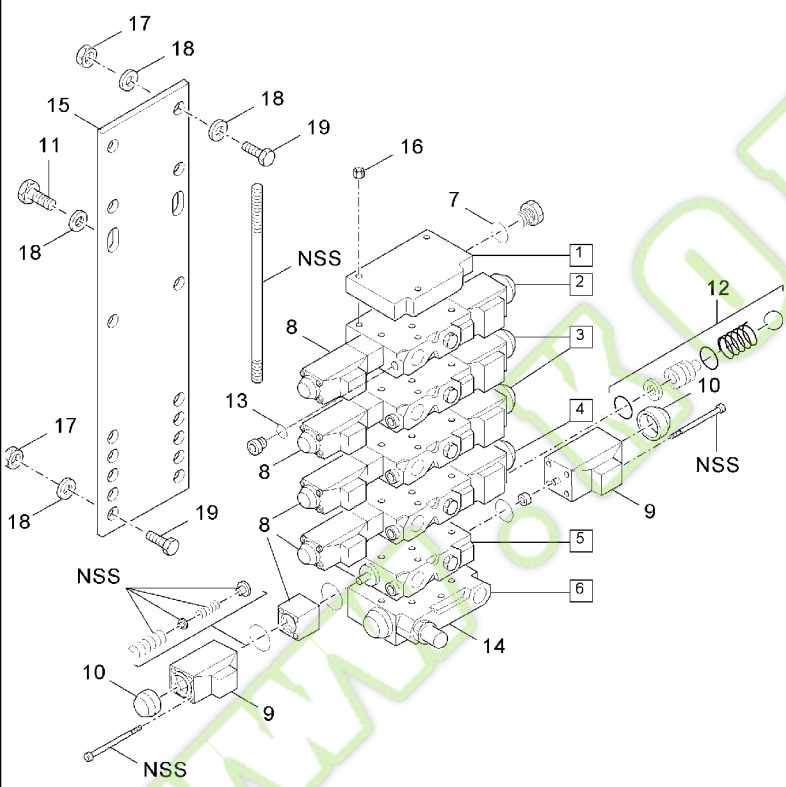
## FX375 NH SELF PROPELLED FORAGE HARVESTER - YELLOW VERSION

08.27A(01) SB 12 VALVE

Ref	Part Number	Qty	Description
1	84043951	1	VALVE, HYDRAULIC,
2	84007583	1	SUPPORT,
3	43127	4	BOLT, {PP:80043127} Hex, M8 x 25, 8.8, M8 x 25
4	322358	9	WASHER, LOCK, {PP:80322358} Belleville, M8, 8MM
5	100015	4	NUT, {PP:80100015} M8, CI 8, M8
7	84042643	1	COVER, CAP,
8	84022625	1	VALVE, HYDRAULIC,
9	84053375	1	VALVE, HYDRAULIC,
10	84053380	2	VALVE, HYDRAULIC,
11	84053382	1	VALVE, HYDRAULIC,
12	84053383	1	VALVE, HYDRAULIC,
13	84022626	1	VALVE SEAT,
6	16043224	3	SCREW, Hex, M8 x 16, 8.8, Full Thd, M8 x 16

ONLY VALID FROM --5033001





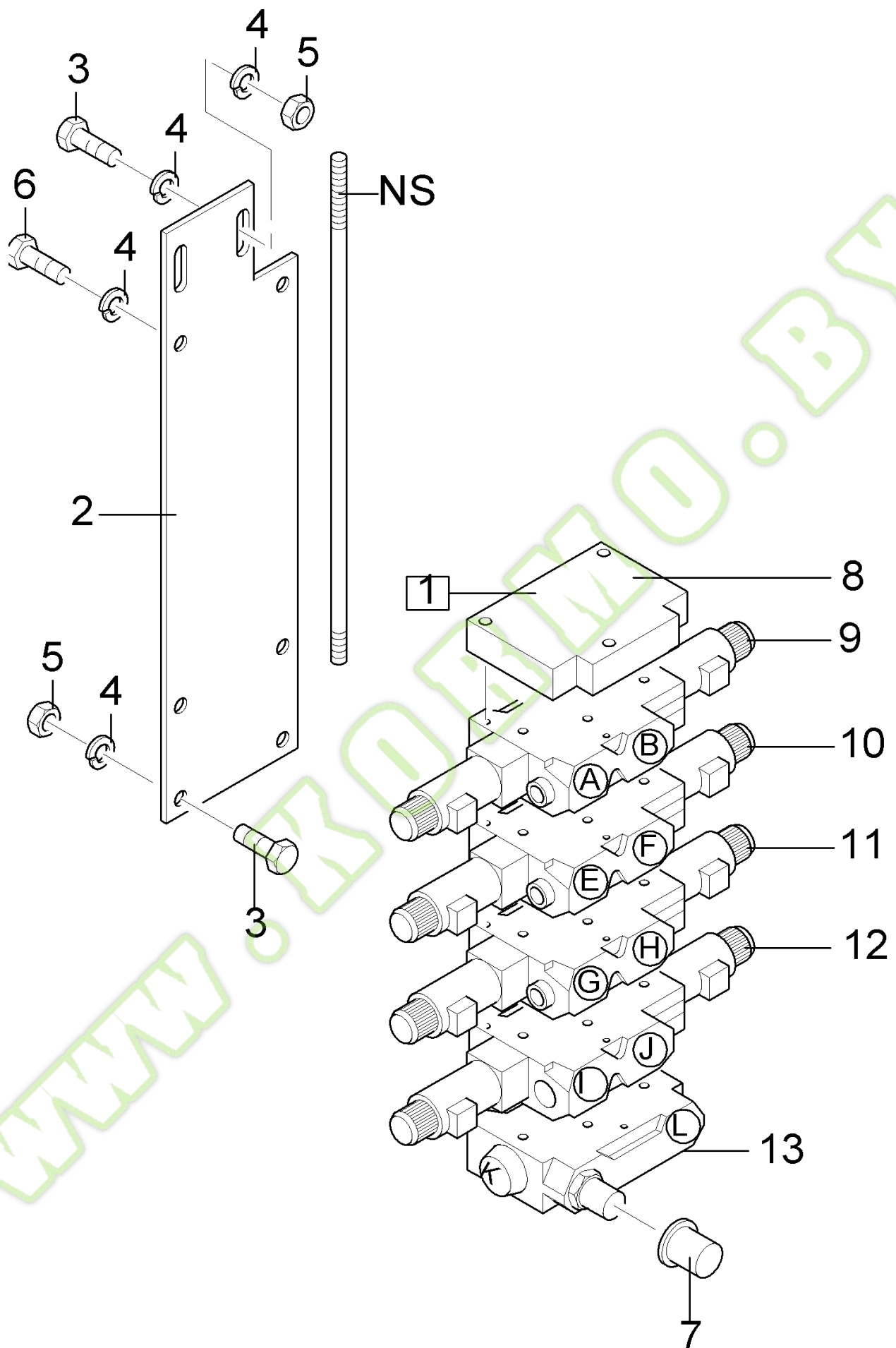
## FX375 NH SELF PROPELLED FORAGE HARVESTER - YELLOW VERSION

08.28(01) VALVE

Ref	Part Number	Qty	Description
0	84019008	1	VALVE, HYDRAULIC, (1 TO 13)
1	84022625	1	VALVE, HYDRAULIC, (7)
2	84014249	1	VALVE, HYDRAULIC, (8 TO 13)
3	84014252	1	VALVE, HYDRAULIC, (8 TO 13)
4	84022550	1	VALVE, HYDRAULIC, (8 TO 13)
5	84022552	1	VALVE, HYDRAULIC, (8 TO 13)
6	84022626	1	VALVE SEAT, (14)
7	220022	3	GASKET, {PP:80220022}
8	84014433	4	KIT, SEALS, , INCLUDES ALSO SEALS BETWEEN VALVES
9	84014432	8	ELECTROMAGNET,
10	84014430	8	PROTECTION CAP,
12	84014434	8	KIT, REPAIR,
13	84014436	AR	O-RING,
14	84014431	1	KIT, SEALS, , INCLUDES ALSO SEALS BETWEEN VALVES
15	84007583	1	SUPPORT,
16	100067	3	NUT, {PP:80100067} M8 x 1.25", CI 8, M8
17	100015	4	NUT, {PP:80100015} M8, CI 8, M8
18	322358	9	WASHER, LOCK, {PP:80322358} Belleville, M8, 8MM
19	43127	4	BOLT, {PP:80043127} Hex, M8 x 25, 8.8, M8X25
11	16043224	3	SCREW, Hex, M8 x 16, 8.8, Full Thd, M8X16

ONLY VALID UNTIL --5032999





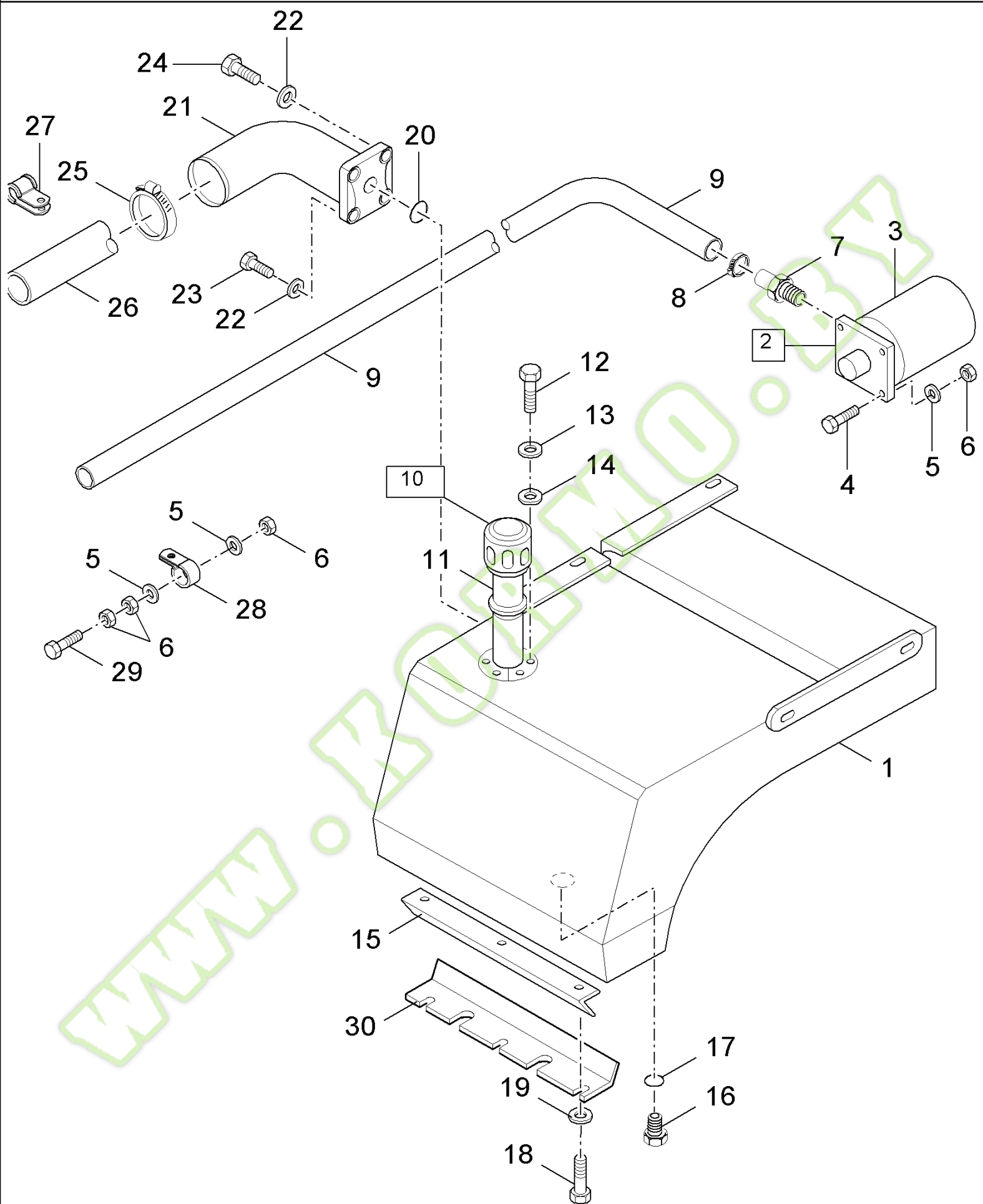
## FX375 NH SELF PROPELLED FORAGE HARVESTER - YELLOW VERSION

08.28A(01) SB12 VALVE

Ref	Part Number	Qty	Description
1	84043949	1	VALVE, HYDRAULIC,
2	84007583	1	SUPPORT,
3	43127	4	BOLT, {PP:80043127} Hex, M8 x 25, 8.8, M8 x 25
4	322358	9	WASHER, LOCK, {PP:80322358} Belleville, M8, 8MM
5	100015	4	NUT, {PP:80100015} M8, CI 8, M8
7	84042643	1	COVER, CAP,
8	84022625	1	VALVE, HYDRAULIC,
9	84053375	1	VALVE, HYDRAULIC,
10	84053380	1	VALVE, HYDRAULIC,
11	84053382	1	VALVE, HYDRAULIC,
12	84053383	1	VALVE, HYDRAULIC,
13	84022626	1	VALVE SEAT,
6	16043224	3	SCREW, Hex, M8 x 16, 8.8, Full Thd, M8 x 16

ONLY VALID FROM --5033001

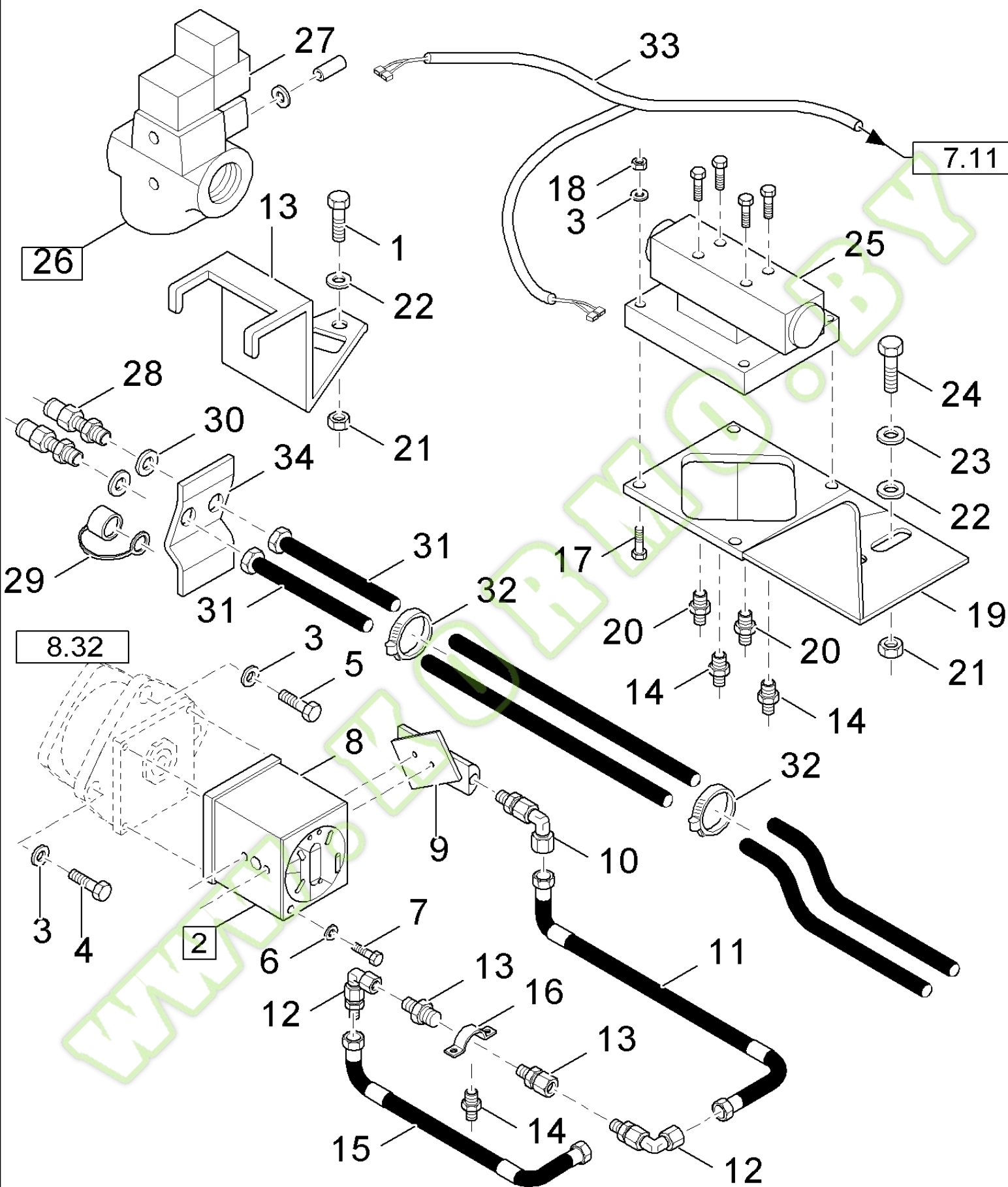




## FX375 NH SELF PROPELLED FORAGE HARVESTER - YELLOW VERSION

## 08.29(01) HYDRAULICS FOR HIGH CAPACITY AND TANK

Ref	Part Number	Qty	Description
1	84032492	1	RESERVOIR, HYDRAULIC OIL,
2	84038051	1	FILTER, ENGINE OIL, (3)
3	9814477	1	FILTER, ELEMENT, {PP:89814477}
4	43127	4	BOLT, {PP:80043127} Hex, M8 x 25, 8.8, M8X25
5	322358	5	WASHER, LOCK, {PP:80322358} Belleville, M8, 8MM
6	100015	7	NUT, {PP:80100015} M8, CI 8, M8
7	457417	1	CONNECTOR, HYD., {PP:80457417}
8	382527	1	CLAMP, {PP:80382527}
9	84036291	1	HOSE, FLEXIBLE,
10	84036281	1	DIPSTICK, (11)
11	84037210	1	KIT, SEALS,
12	120098	6	SCREW, {PP:80120098} Hex, M5 x 20, 8.8, Full Thd, M5X20
13	322356	6	WASHER, LOCK, {PP:80322356} 5MM
14	373817	6	ELEMENT, SEALING, {PP:80373817}
15	84032500	1	SUPPORT,
16	150060	1	PLUG, {PP:80150060}
17	722441	1	GASKET,
19	140045	3	WASHER, LOCK, {PP:80140045} Belleville, M10, 10MM
20	167266	1	O-RING, {PP:80167266} 12-1, 90 Duro, .924 ID x .116" Thk, 90 Duro, .924" ID x .116" Thk
21	89817438	1	FLANGE,
22	322357	4	WASHER, LOCK, {PP:80322357} Belleville, M6, Belleville, M6
23	84089718	2	SCREW, M6X20
24	356464	1	SCREW, {PP:80356464} M6X50
25	382528	1	CLAMP, {PP:80382528}
26	84032977	1	HOSE, FLEXIBLE,
27	455556	AR	CLAMP, {PP:80455556} 1-1/4"
28	9513271	AR	CLAMP, {PP:89513271} 1"
29	120106	1	SCREW, {PP:80120106} Hex, M8 x 40, 8.8, Full Thd, Hex, M8 x 40, 8.8, Full Thd
30	84062053	1	PLATE,
18	120109	3	SCREW, {PP:80120109} Hex, M10 x 20, 8.8, Full Thd, M10X20

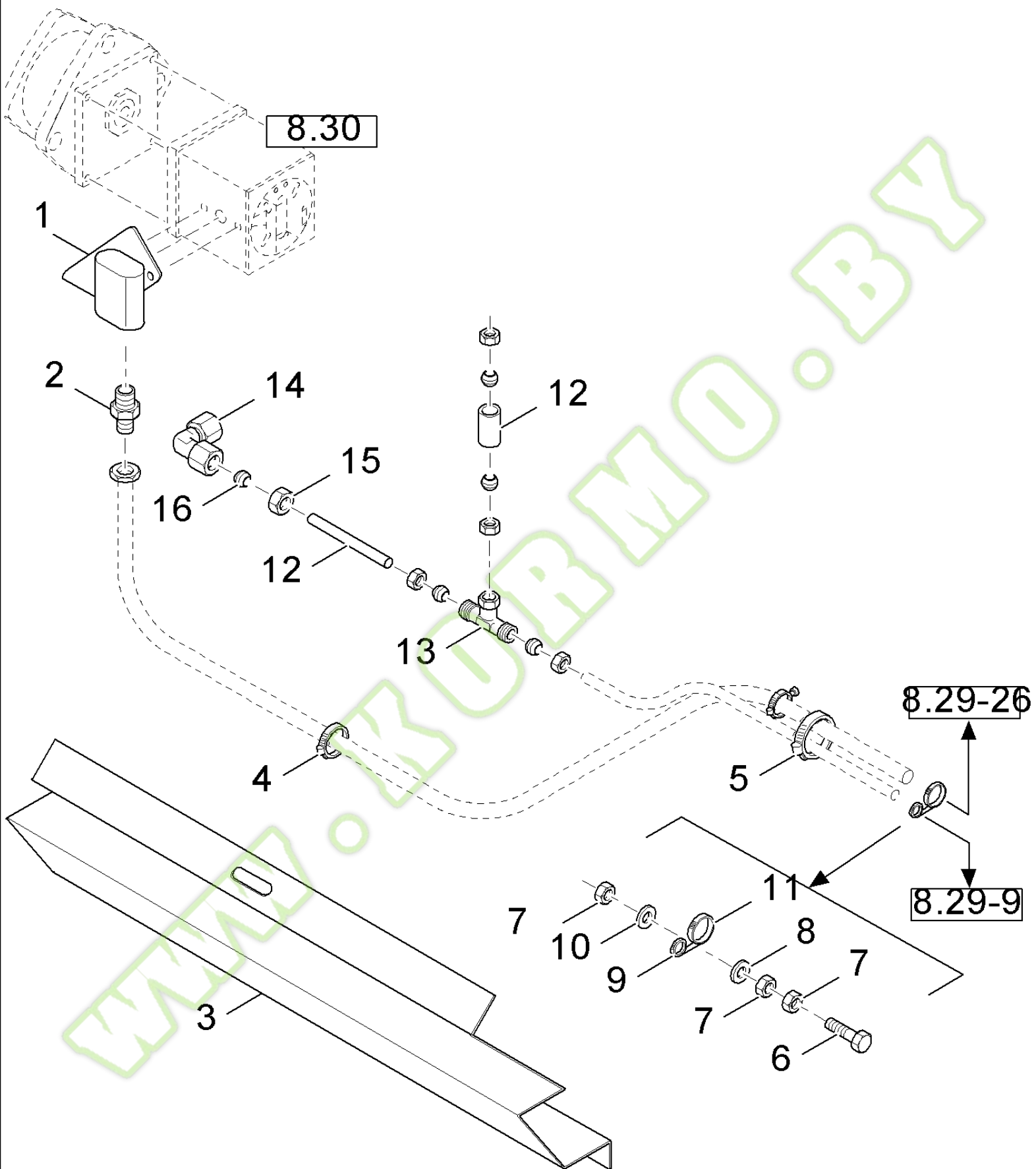




## FX375 NH SELF PROPELLED FORAGE HARVESTER - YELLOW VERSION

## 08.30(01) HIGH CAPACITY HYDRAULICS: VALVES AND LINES

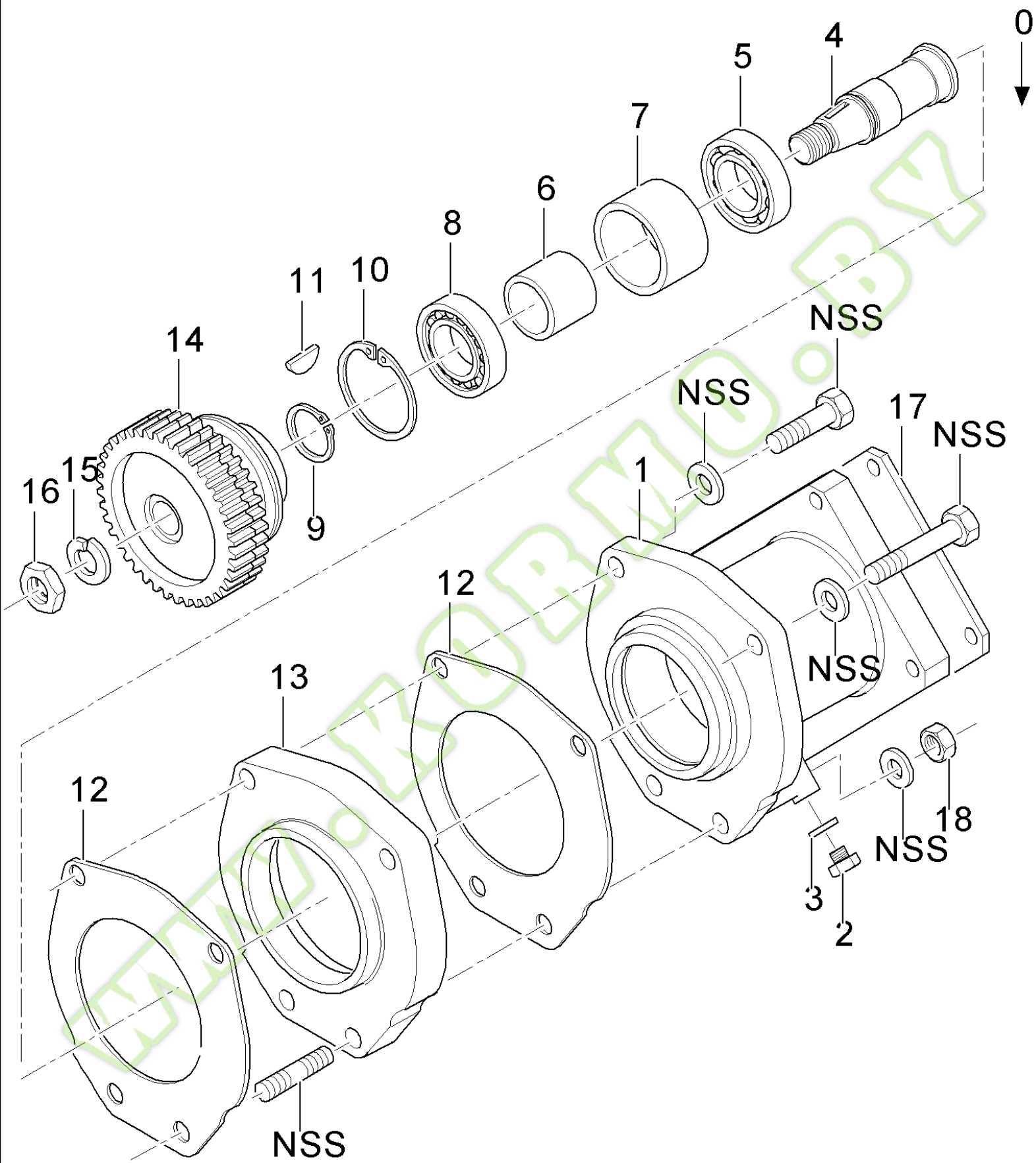
Ref	Part Number	Qty	Description
1	120089	4	BOLT, {PP:80120089} Hex, M16 x 40, 8.8, Hex, M16 x 40, 8.8
2	84039548	1	PUMP, HYDRAULIC, (8)
3	140045	8	WASHER, LOCK, {PP:80140045} Belleville, M10, 10MM
4	412161	3	SCREW, {PP:80412161} Hex, M10 x 40, 8.8, Full Thd, M10X1.25X40
5	412159	1	BOLT, {PP:80412159} Hex, M10 x 1.25 x 25, 8.8, Full Thd, M10X1.25X25
6	80681	4	WASHER, LOCK, {PP:80080681} 5/16", 5/16"
7	43129	4	SCREW, {PP:80043129} Hex, M8 x 40, 8.8, Hex, M8 x 40, 8.8
8	84036983	1	KIT, SEALS,
9	89813318	1	CONNECTOR, HYD.,
10	84036285	4	CONNECTOR, HYD.,
11	84032978	1	HOSE, FLEXIBLE,
12	84032976	2	ELBOW,
13	84042943	1	SUPPORT,
14	84036286	2	CONNECTOR, HYD.,
15	84032979	1	HOSE, FLEXIBLE,
16	84041020	1	CLAMP,
17	84015950	4	SCREW, M10X50
18	100016	6	NUT, {PP:80100016} M10, CI 8, M10
19	84036295	1	SUPPORT,
20	89835290	2	CONNECTOR, HYD.,
21	100020	4	NUT, {PP:80100020} M16, CI 8, M16, CI 8
22	140048	4	WASHER, LOCK, {PP:80140048} Belleville, M16, 16MM
23	378246	4	WASHER, {PP:80378246} 16MM
24	43168	4	SCREW, {PP:80043168} Hex, M16 x 40, 8.8, Hex, M16 x 40, 8.8
25	84031798	1	VALVE, HYDRAULIC, , -C0447
25	84056910	1	VALVE, HYDRAULIC, , D4800-
26	84039549	1	VALVE, HYDRAULIC, (27)
27	84037412	1	KIT, SEALS,
28	84032982	2	COUPLING, QUICK, MALE,
29	266220	2	DUST CAP, {PP:80266220}
30	36622	2	WASHER, {PP:80036622}
31	84032981	2	HOSE, FLEXIBLE, , -C0447
31	84058543	1	HOSE, FLEXIBLE, , D4800-
31	84062169	1	HOSE, FLEXIBLE, , D4800-
32	396718	2	STRAP, {PP:80396718}
33	84035515	1	HARNESS, WIRE,
34	84035579	1	SUPPORT,



## FX375 NH SELF PROPELLED FORAGE HARVESTER - YELLOW VERSION

## 08.31(01) HIGH CAPACITY HYDRAULICS: VALVES AND LINES

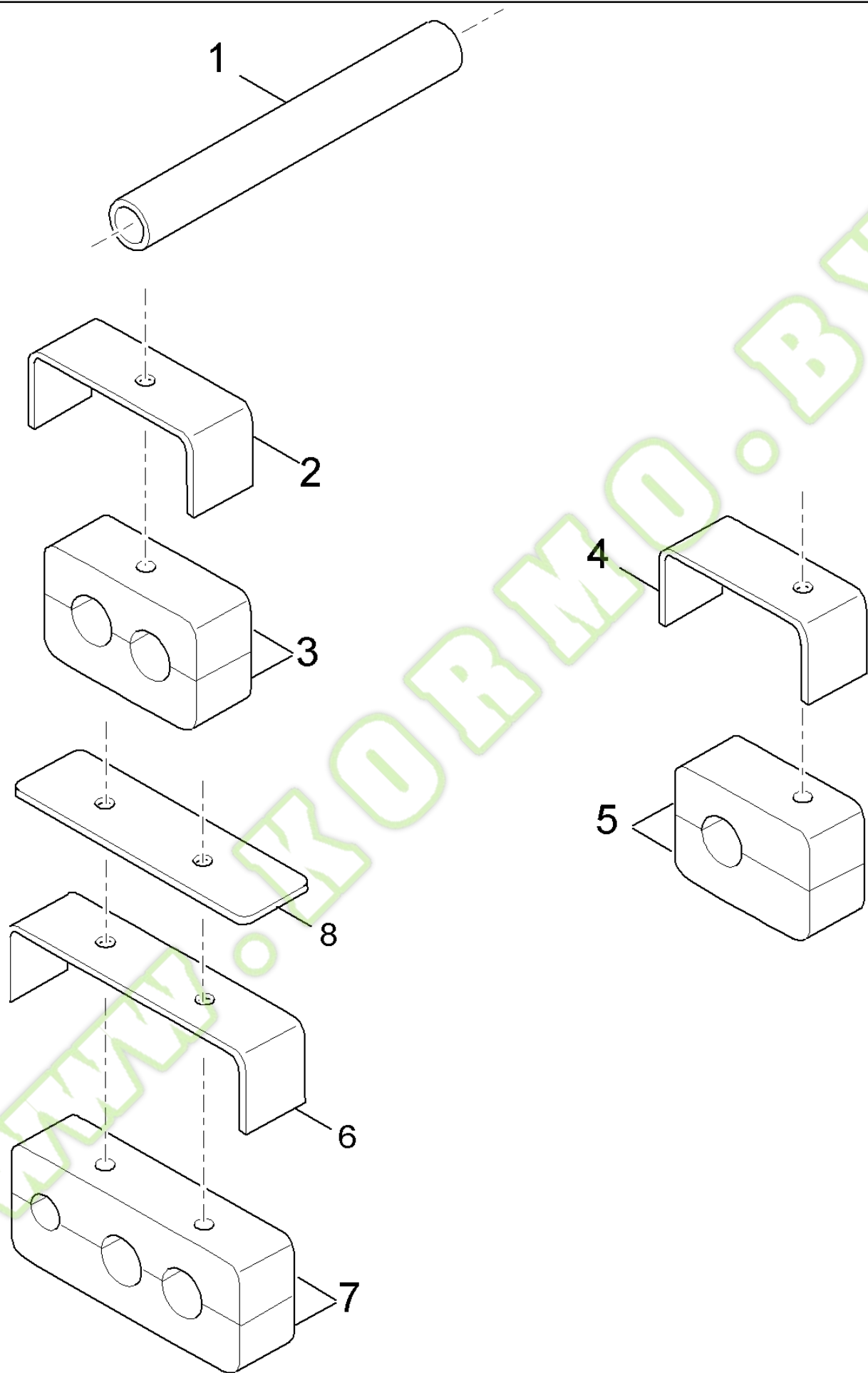
Ref	Part Number	Qty	Description
1	84031794	1	FLANGE,
2	84036282	1	CONNECTOR, HYD.,
3	84035745	1	PROFILE, , D1400-
3	84036793	1	PROFILE, , -C0413
5	263117	1	STRAP, SECURING, {PP:80263117}
6	412559	2	SCREW, {PP:80412559} Hex, M6 x 50, 8.8, Full Thd, M6X50
7	9706755	6	NUT, {PP:89706755} M6, CI 8, 6MM
8	140040	5	WASHER, {PP:80140040} M6 x 22 x 2,
9	9513271	1	CLAMP, {PP:89513271} 1"
10	322357	5	WASHER, LOCK, {PP:80322357} Belleville, M6, Belleville, M6
11	455556	1	CLAMP, {PP:80455556} 1-1/4"
12	9811333	2	TUBE, RIGID, {PP:89811333}
13	9507672	1	CONNECTION, 3 WAY, {PP:89507672}
14	457573	1	ELBOW, {PP:80457573}
15	412527	4	NUT, {PP:80412527}
16	412528	4	FERRULE, {PP:80412528}
4	514920	1	CLAMP, {PP:80514920}



## FX375 NH SELF PROPELLED FORAGE HARVESTER - YELLOW VERSION

## 08.32(01) TRANSMISSION HOUSING

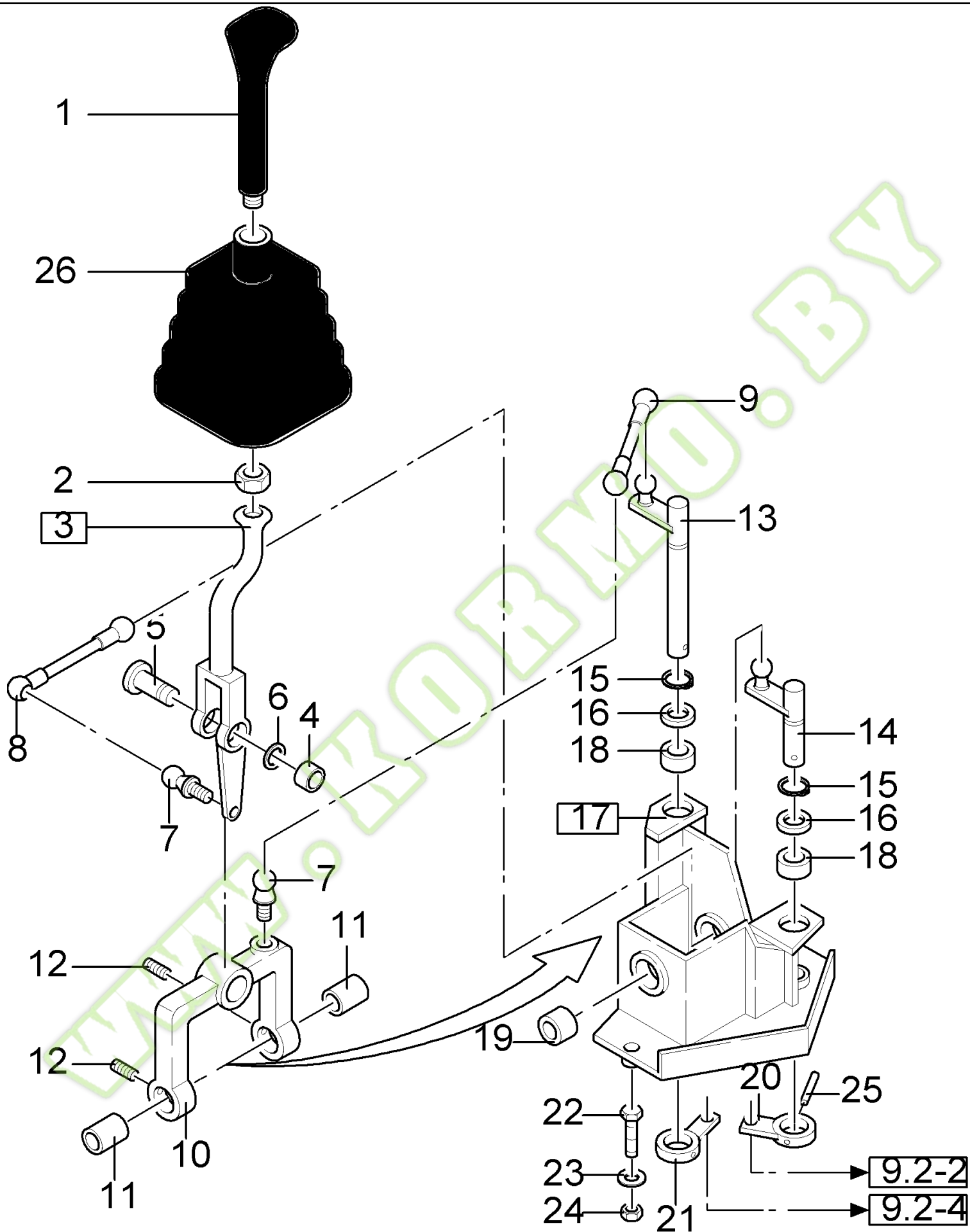
Ref	Part Number	Qty	Description
0	84031796	1	BLOCK, CONNECTING, (1TO18), -C5047
0	84058399	1	BLOCK, CONNECTING, (1 TO 18), D5048-
1	8022648	1	HOUSING, BEARING,
2	11903111	1	PLUG,
3	4858606	1	GASKET,
4	8108862	1	SHAFT,
5	20705250	1	BEARING ASSY,
6	61586410	1	SPACER,
7	61586411	1	BUSHING,
8	26798470	1	BEARING ASSY,
9	16867176	1	RING, LOCKING,
10	11061576	1	RING, LOCKING,
11	17221320	1	KEY,
12	4864032	2	GASKET,
13	8022650	1	BEARING, CAMSHAFT,
14	8022649	1	GEAR, , -C5047
14	8025785	1	GEAR, , D5048-
15	17095814	1	WASHER, , -C5047
15	4709364	1	WASHER, , D5048-
16	16980731	1	NUT, , -C5047
16	99471892	1	NUT, , D5048-
17	8009914	1	GASKET,
18	89837227	2	NUT, M10X1.25



## FX375 NH SELF PROPELLED FORAGE HARVESTER - YELLOW VERSION

## 08.33(01) TUBE CLAMPS AND HYDRAULIC TUBES

Ref	Part Number	Qty	Description
1	75931		AR TUBE, RIGID, {PP:80075931} D=3/8", L:48"
1	75932		AR TUBE, RIGID, {PP:80075932} D=1/2", L:48"
1	75933		AR TUBE, RIGID, {PP:80075933} D=5/8", L:48"
1	75934		AR TUBE, RIGID, {PP:80075934} D=3/4", L:48"
1	371534		AR TUBE, RIGID, {PP:80371534} D=18MM, L:2M
1	371536		AR TUBE, RIGID, {PP:80371536} D=16MM, L:2M
1	371539		AR TUBE, RIGID, {PP:80371539} D=10MM, L:2M
1	371540		AR TUBE, RIGID, {PP:80371540} D=8MM, L:2M
1	9513719		AR TUBE, RIGID, {PP:89513719} D=12MMX1.5, L:2M
1	9811333		AR TUBE, RIGID, {PP:89811333} D=28MM, L:2M
2	431941		AR SUPPORT, {PP:80431941} 8-12MM
2	431942		AR SUPPORT, {PP:80431942} Hex Hd, #10-32 x 1/2", 16MM-3/4"
2	743320		AR SUPPORT, {PP:80743320} 28MM
3	430356		AR CLAMP, {PP:80430356} 16MM-3/4"
3	430357		AR CLAMP, {PP:80430357} 8-12MM
3	457547		AR CLAMP, {PP:80457547} 28MM
4	433100		AR SUPPORT, {PP:80433100} 16MM-3/4"
4	433101		AR SUPPORT, {PP:80433101} 8-10MM
4	442340		AR SUPPORT, {PP:80442340} 12MM
4	743318		AR SUPPORT, {PP:80743318} 28MM
5	433007		AR CLAMP, {PP:80433007} 16MM-3/4"
5	433008		AR CLAMP, {PP:80433008} 8-12MM
5	457546		AR CLAMP, {PP:80457546} 28MM
6	455533		AR CLAMP, {PP:80455533}
7	455534		AR SUPPORT, {PP:80455534}
8	434103		AR PLATE, {PP:80434103} 20X3

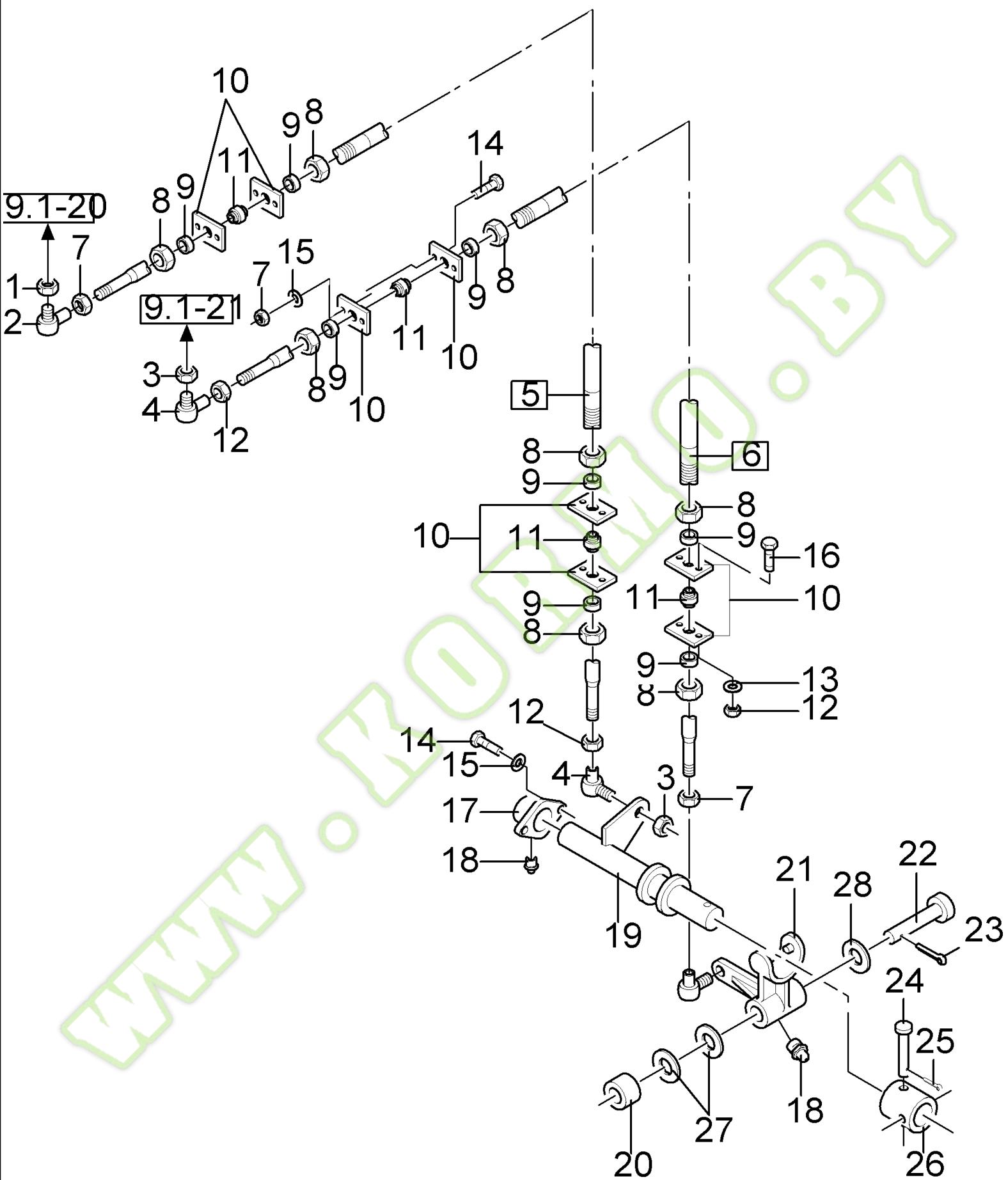




## FX375 NH SELF PROPELLED FORAGE HARVESTER - YELLOW VERSION

## 09.01(01) GEARSHIFT CONTROLS

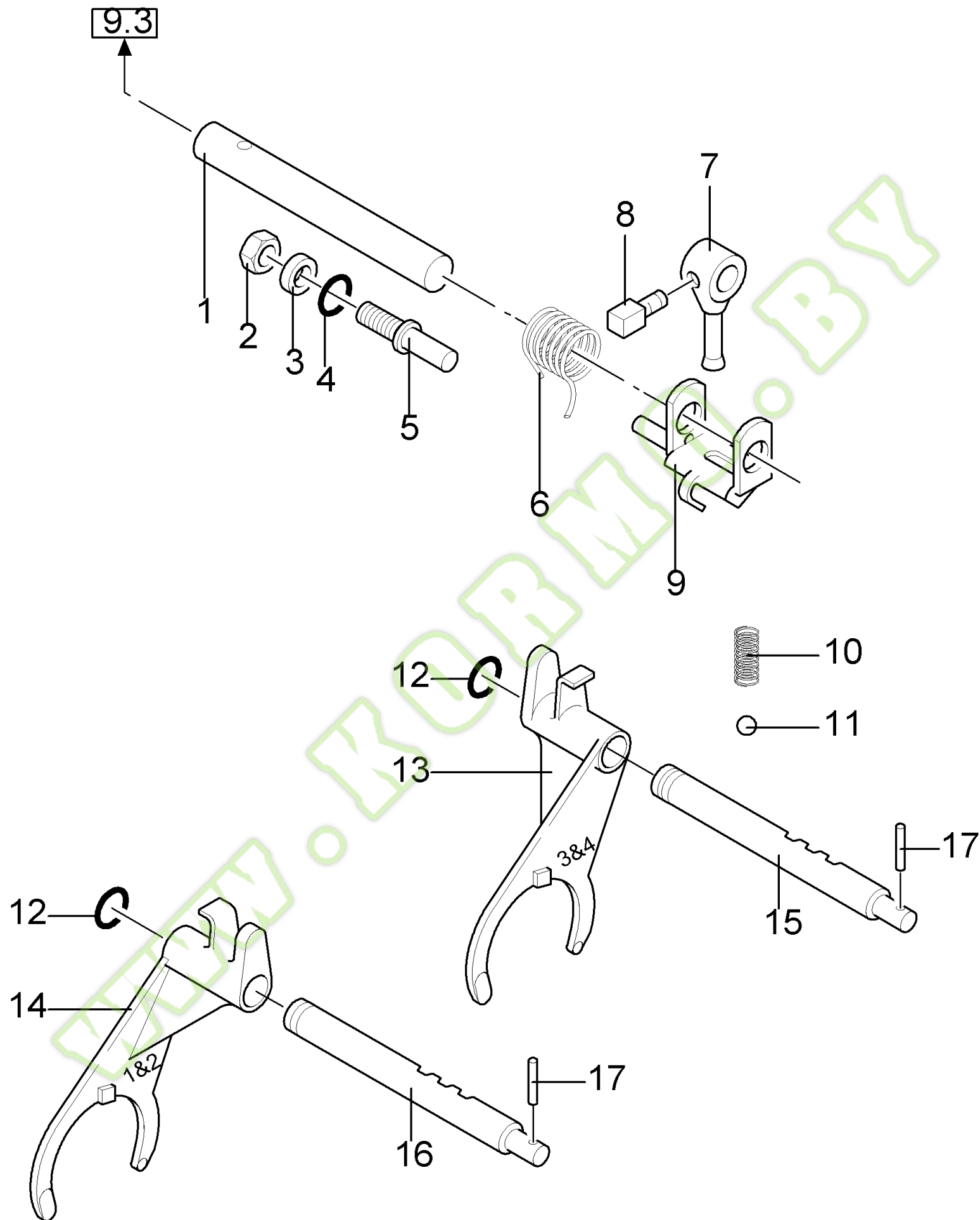
Ref	Part Number	Qty	Description
1	445968	1	LEVER, {PP:80445968}
2	379752	1	NUT, {PP:80379752} M12 x 1.25", CI 10, M12
3	9819631	1	LEVER, {PP:89819631} (4)
4	420761	2	BUSHING, {PP:80420761}
5	9831112	1	PIN, {PP:89831112}
6	370024	1	RING, SNAP, {PP:80370024}
7	9831211	2	JOINT, UNIVERSAL, {PP:89831211}
8	9831206	1	ROD, ADJUSTMENT, {PP:89831206}
9	9831207	1	ROD, ADJUSTMENT, {PP:89831207}
10	9819650	1	LEVER, {PP:89819650}
11	9831111	2	BUSHING, {PP:89831111}
12	300480	2	SCREW, {PP:80300480} Hex Soc, M10 x 12, Cup Pt, M10X12
13	9831096	1	SHAFT, {PP:89831096}
14	84007010	1	PIN,
15	80370002	2	CIRCLIP,
16	140022	2	WASHER, {PP:80140022} M24 x 44 x 4, 24MM
17	84001390	1	SUPPORT, (18,19)
18	382975	4	BUSHING, {PP:80382975}
19	9505633	2	BUSHING, {PP:89505633}
20	84007008	1	LEVER,
21	84007012	1	LEVER,
22	120106	4	SCREW, {PP:80120106} Hex, M8 x 40, 8.8, Full Thd, Hex, M8 x 40, 8.8, Full Thd
23	322358	4	WASHER, LOCK, {PP:80322358} Belleville, M8, 8MM
24	100015	4	NUT, {PP:80100015} M8, CI 8, M8
25	300869	2	PIN, {PP:80300869} M6 x 40, Slotted, M6 x 40, Slotted
26	9819436	1	BELLOWS, {PP:89819436}



## FX375 NH SELF PROPELLED FORAGE HARVESTER - YELLOW VERSION

## 09.02(01) GEARSHIFT CONTROLS

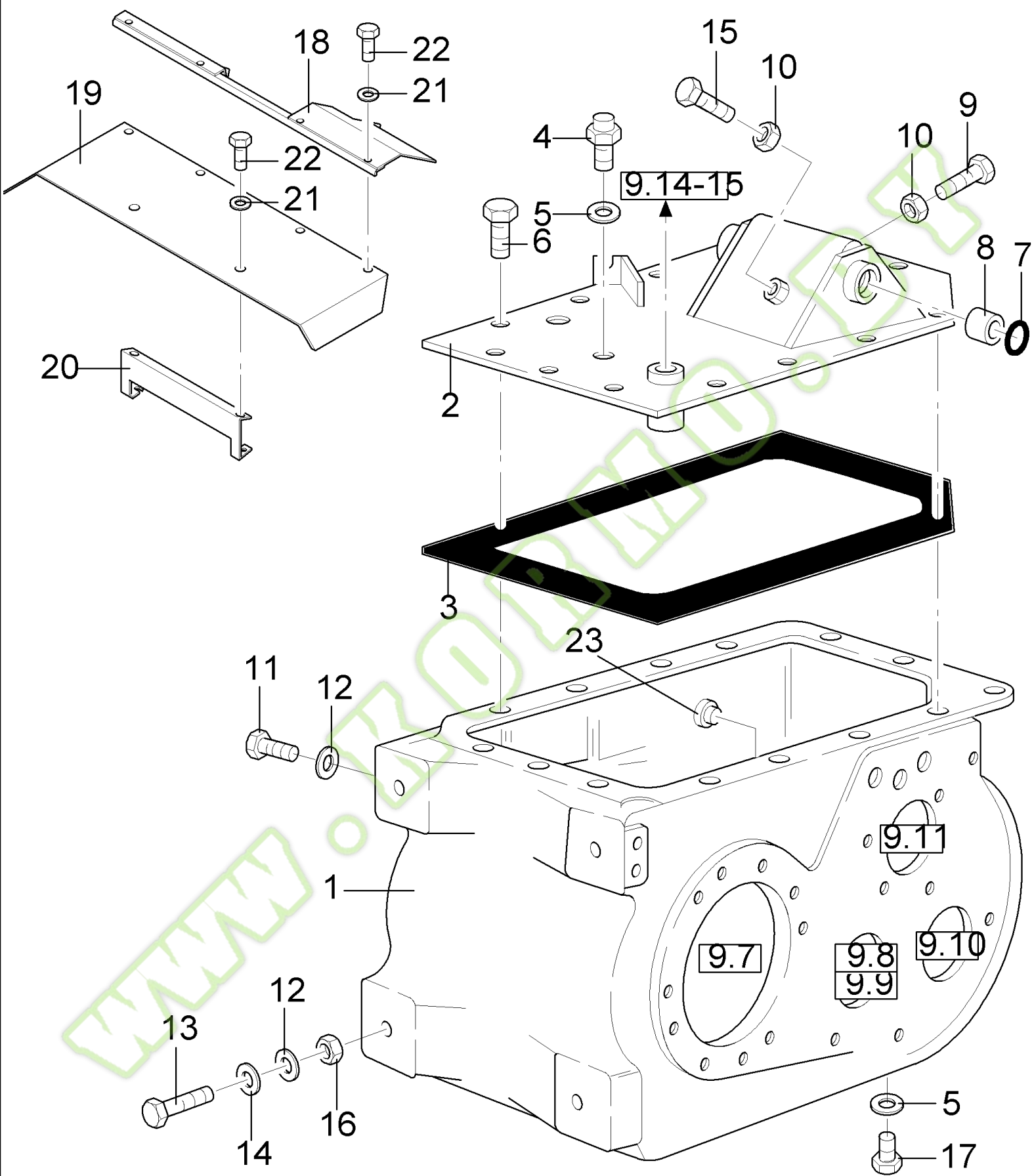
Ref	Part Number	Qty	Description
1	100067	1	NUT, {PP:80100067} M8 x 1.25", CI 8, M8
2	84021042	2	BALL JOINT,
3	353308	2	NUT, {PP:80353308} M6 x 1, CI 8, M6
4	84021043	2	BALL JOINT,
5	89837076	1	CABLE, (8 TO 12)
6	89837077	1	CABLE, (7 TO 11)
7	100015	4	NUT, {PP:80100015} M8, CI 8, M8
8	379752	8	NUT, {PP:80379752} M12 x 1.25", CI 10, M12X1.25
9	750159	8	RING, {PP:80750159}
10	9508941	8	PLATE, {PP:89508941}
11	750158	4	BALL JOINT, {PP:80750158}
12	9706755	10	NUT, {PP:89706755} M6, CI 8, M6
13	322357	8	WASHER, LOCK, {PP:80322357} Belleville, M6, Belleville, M6
14	43128	4	SCREW, {PP:80043128} Hex, M8 x 30, 8.8, Cap, HH, CL 8.8, M8 x 1.25 x 30
15	322358	4	WASHER, LOCK, {PP:80322358} Belleville, M8, 8MM
16	86977786	8	BOLT, Hex, M6 x 25, 8.8, M6X20
17	445728	1	FLANGE, {PP:80445728}
18	321204	2	NIPPLE, LUBE, {PP:80321204}
19	89837041	1	SPINDLE,
20	325595	1	SPACER, {PP:80325595} , D0500-
20	84015599	1	BEARING, CAMSHAFT, , -C0404
21	89835223	1	LEVER,
22	84021067	1	PIN,
23	130012	1	PIN, SPLIT (COTTER), {PP:80130012} M5 x 50,
24	353216	2	PIN, {PP:80353216}
25	9512667	2	PIN, SPLIT (COTTER), {PP:89512667} M6.3 x 40,
26	9832366	1	BUSHING, {PP:89832366}
27	443434	AR	WASHER, {PP:80443434} , D0500-
28	80140096	AR	WASHER, , D0500-



## FX375 NH SELF PROPELLED FORAGE HARVESTER - YELLOW VERSION

## 09.03(01) GEARBOX

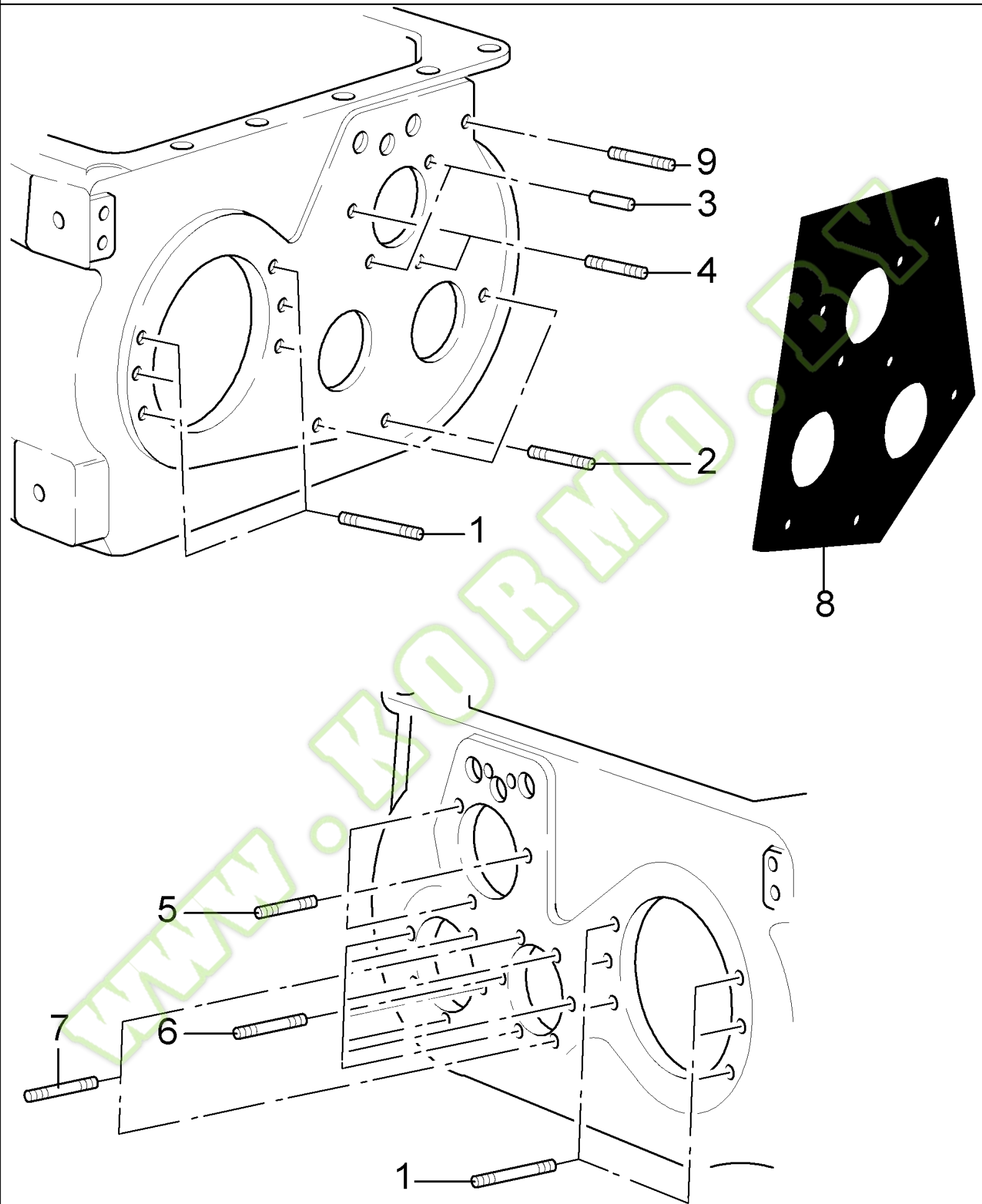
Ref	Part Number	Qty	Description
1	9814644	1	SHAFT, {PP:89814644}
2	100067	1	NUT, {PP:80100067} M8 x 1.25", CI 8, M8
3	9812123	1	BUSHING, {PP:89812123}
4	220085	1	O-RING, {PP:80220085}
5	84004167	1	PIN,
6	84005379	1	SPRING,
7	9831136	1	LEVER, {PP:89831136}
8	120151	1	SCREW, {PP:80120151} M10X18
9	9831133	1	HINGE, {PP:89831133}
10	9833067	2	SPRING, {PP:89833067}
11	210006	2	BALL, {PP:80210006}
12	129979	2	O-RING, {PP:80129979} -115, 70 Duro, .674" ID x .103" Thk,
13	84031890	1	YOKE,
14	421477	1	FORK, {PP:80421477}
15	440784	1	SHAFT, {PP:80440784}
16	436422	1	SHAFT, {PP:80436422}
17	80130050	2	PIN, ROLL,



## FX375 NH SELF PROPELLED FORAGE HARVESTER - YELLOW VERSION

## 09.04(01) GEARBOX

Ref	Part Number	Qty	Description
1	84031891	1	HOUSING,
2	84015354	1	COVER,
3	430783	1	GASKET, {PP:80430783}
4	398136	1	BREATHER, {PP:80398136}
5	220025	2	GASKET, {PP:80220025}
6	412621	13	SCREW, {PP:80412621} Hex Lock, M10 x 30, 8.8, M10X30
7	27286	2	O-RING, {PP:80027286} -214, 70 Duro, .984" ID x .139" Thk,
8	382975	4	BUSHING, {PP:80382975}
9	120112	2	SCREW, {PP:80120112} Hex, M10 x 40, 8.8, Full Thd, M10X40
10	100016	2	NUT, {PP:80100016} M10, CI 8, M10
11	120090	4	SCREW, {PP:80120090} Hex, M16 x 50, 8.8, Hex, M16 x 50, 8.8
12	394631	6	WASHER, {PP:80394631} 16MM
13	455447	2	BOLT, {PP:80455447}
14	455446	2	WASHER, {PP:80455446}
15	120115	1	SCREW, {PP:80120115} Hex, M10 x 70, 8.8, Full Thd, M10X70
16	100020	2	NUT, {PP:80100020} M16, CI 8, M16, CI 8
17	336897	1	PLUG, {PP:80336897}
18	84031940	1	PLATE,
19	84031941	1	PLATE,
20	84031937	1	PLATE,
21	322357	6	WASHER, LOCK, {PP:80322357} Belleville, M6, Belleville, M6
22	80120099	6	SCREW, Hex, M6 x 16, 8.8, M6X16
23	390840	1	PLUG, {PP:80390840}



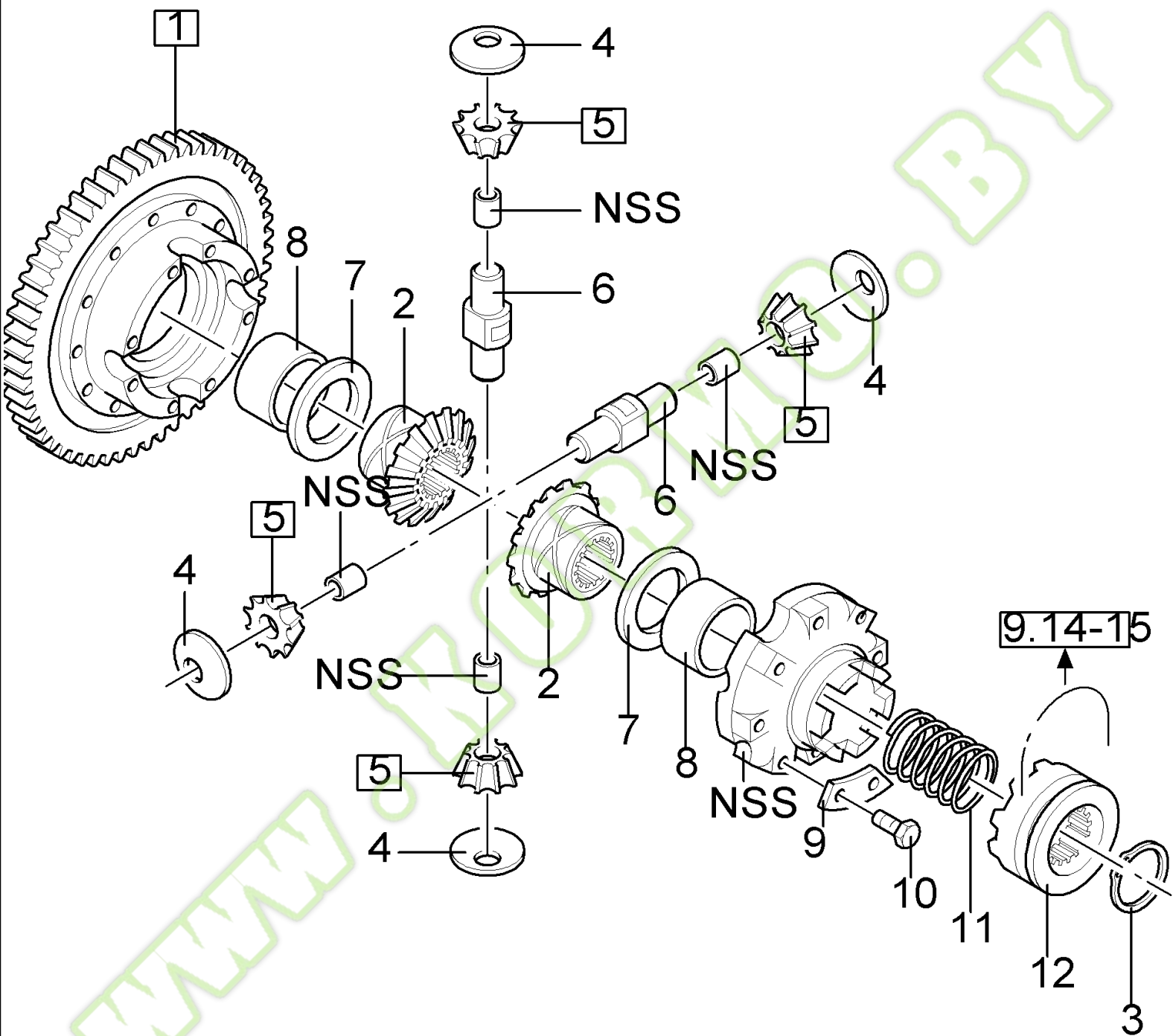


## FX375 NH SELF PROPELLED FORAGE HARVESTER - YELLOW VERSION

## 09.05(01) GEARBOX - STUDS

Ref	Part Number	Qty	Description
1	9817207	12	STUD, {PP:89817207}
2	321665	3	STUD, {PP:80321665}
3	322423	2	PIN, {PP:80322423}
4	336270	2	STUD, {PP:80336270}
5	110019	3	STUD, {PP:80110019}
6	110020	11	STUD, {PP:80110020}
7	300482	2	STUD, {PP:80300482} Hex Soc, M10 x 20, Cone Pt,
8	456162	1	GASKET, {PP:80456162}
9	350341	1	STUD, {PP:80350341}

WWW.KORMO.BY

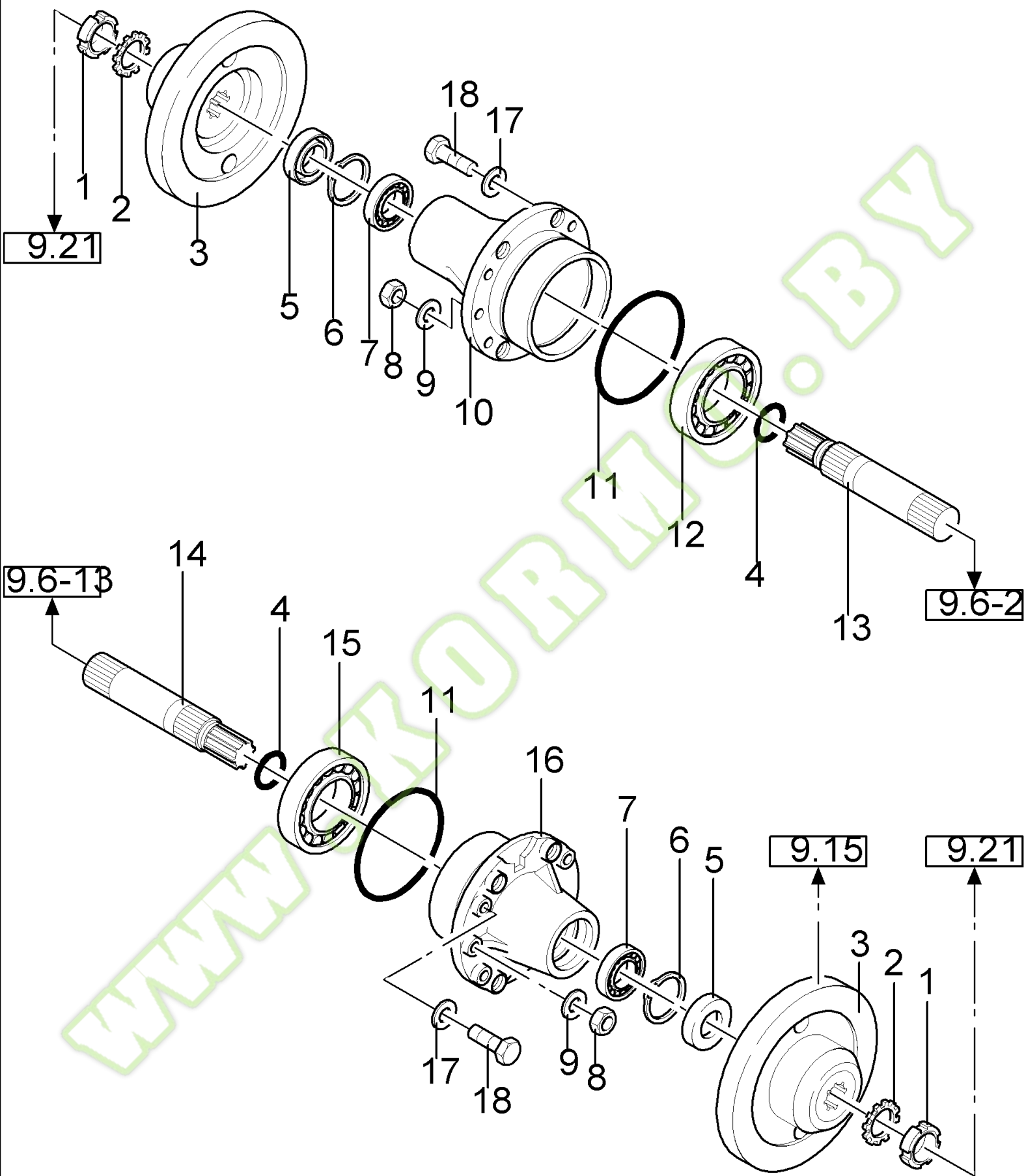


## FX375 NH SELF PROPELLED FORAGE HARVESTER - YELLOW VERSION

## 09.06(01) DIFFERENTIAL

Ref	Part Number	Qty	Description
1	9850393	1	DIFFERENTIAL, {PP:89850393} (2 TO 10)
2	9514042	2	SPROCKET, DRIVEN, {PP:89514042}
3	327911	1	CIRCLIP, {PP:80327911}
4	210014	4	WASHER, {PP:80210014}
5	9850394	4	GEAR, {PP:89850394} (3)
6	9514041	2	SHAFT, {PP:89514041}
7	210013	2	WASHER, THRUST, {PP:80210013}
8	9514039	2	BUSHING, {PP:89514039}
9	331649	4	PLATE, LOCKING, {PP:80331649}
10	120073	8	SCREW, {PP:80120073} Hex, M10 x 80, 8.8, M10X80
11	455097	1	SPRING, {PP:80455097}
12	455094	1	RING, {PP:80455094}

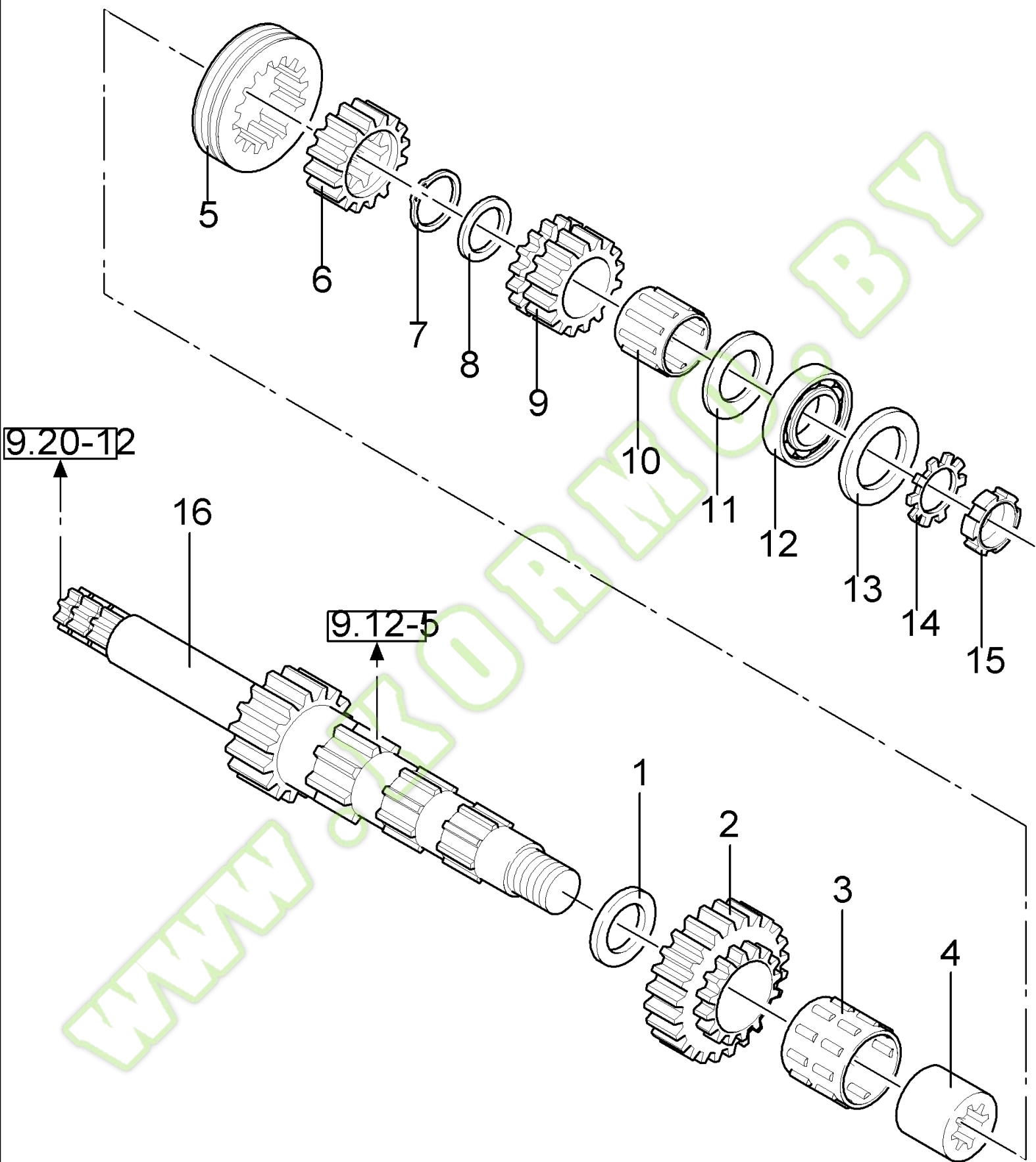
WWW.KORMO.BY



## FX375 NH SELF PROPELLED FORAGE HARVESTER - YELLOW VERSION

## 09.07(01) BRAKE DISCS

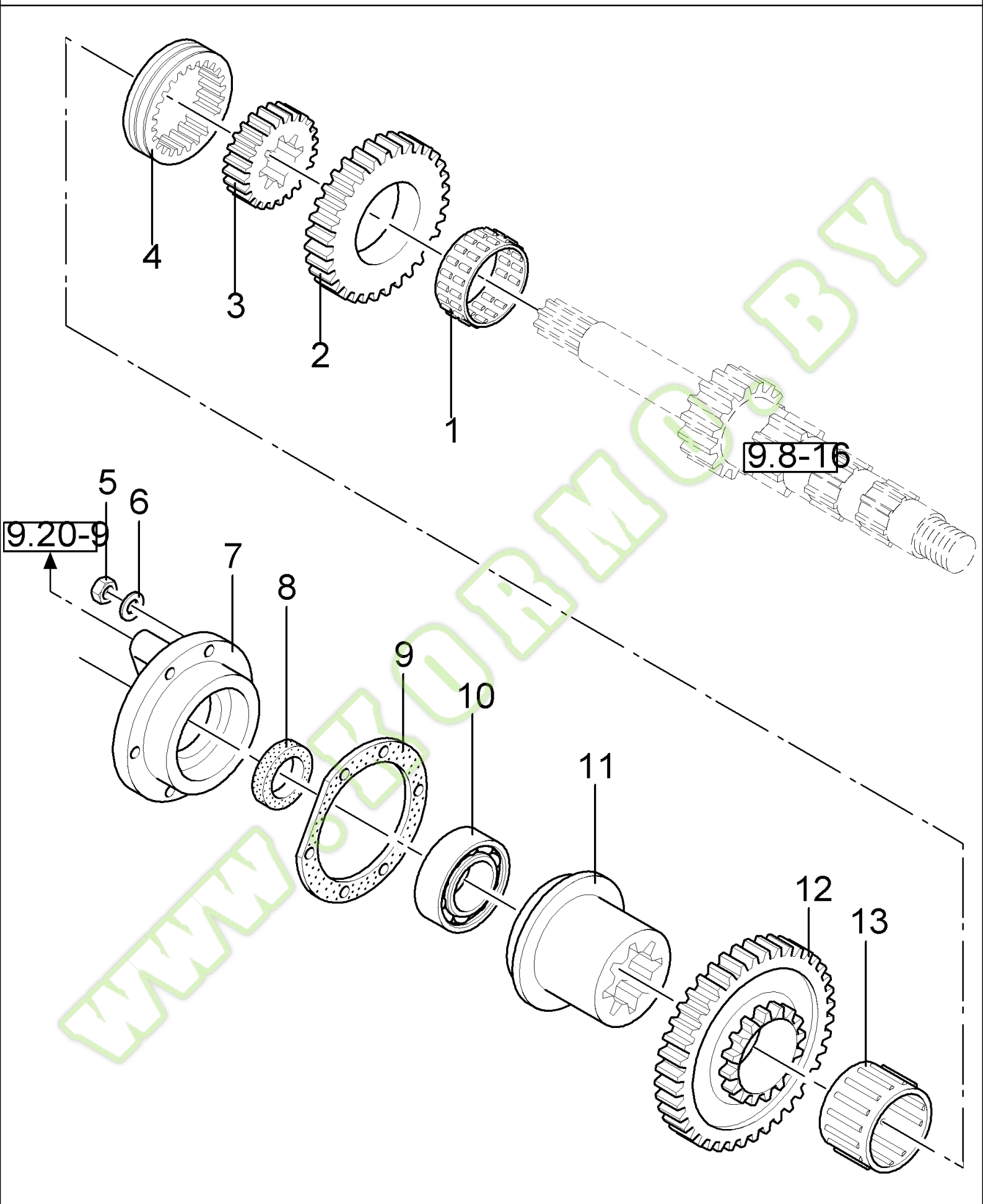
Ref	Part Number	Qty	Description
1	9513020	2	NUT, {PP:89513020} M50X1.5
2	382867	3	WASHER, LOCK, {PP:80382867}
3	9819433	2	BRAKE DISC, {PP:89819433}
4	235782	2	O-RING, {PP:80235782} -224, 90 Duro, 1.734" ID x .139" Thk,
5	84017986	2	ELEMENT, SEALING,
6	80300633	2	RING, SNAP,
7	9814102	2	BEARING ASSY, {PP:89814102}
8	337475	12	NUT, {PP:80337475} M12, CI 10, M12
9	140046	12	WASHER, LOCK, {PP:80140046} Belleville, M12, 12MM
10	9819544	1	FLANGE, {PP:89819544} RH
11	9815655	2	O-RING, {PP:89815655}
12	210046	1	BEARING ASSY, {PP:80210046}
13	9819514	1	SHAFT, {PP:89819514} RH
14	89815650	1	SHAFT, LH
15	418831	1	BEARING ASSY, {PP:80418831}
16	89819448	1	FLANGE, LH
17	322358	4	WASHER, LOCK, {PP:80322358} Belleville, M8, 8MM
18	80300380	4	SCREW, M8X10



## FX375 NH SELF PROPELLED FORAGE HARVESTER - YELLOW VERSION

## 09.08(01) GEARS

Ref	Part Number	Qty	Description
1	396117	1	WASHER, {PP:80396117}
2	84021902	1	GEAR,
3	396135	1	BEARING ASSY, {PP:80396135}
4	394028	1	BUSHING, {PP:80394028}
5	9837152	1	SYNCHRONIZER, {PP:89837152}
6	396116	1	COUPLING, SPLINED, {PP:80396116}
7	234569	1	RING, SNAP, {PP:80234569} #187, Ext, #187, Ext
8	381827	1	WASHER, {PP:80381827}
9	9837151	1	GEAR, {PP:89837151}
10	394027	1	BEARING ASSY, {PP:80394027}
11	381826	1	WASHER, {PP:80381826}
12	456331	1	BEARING ASSY, {PP:80456331}
13	412608	AR	SHIM, {PP:80412608} 0.2MM
13	412609	AR	SHIM, {PP:80412609} 0.5MM
14	412352	1	PLATE, LOCKING, {PP:80412352}
15	412351	1	NUT, {PP:80412351} M35X1.5
16	84005694	1	SHAFT,



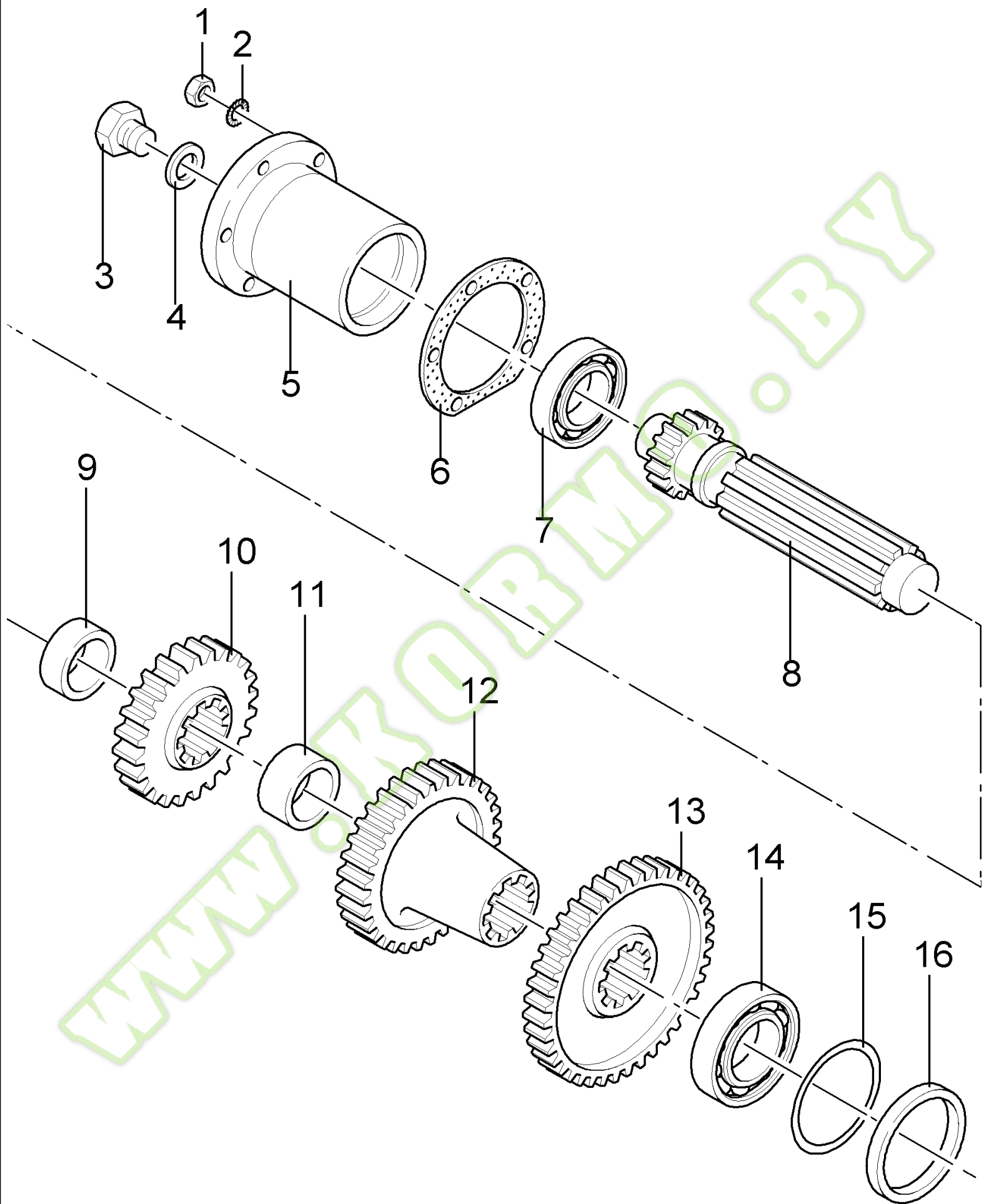


## FX375 NH SELF PROPELLED FORAGE HARVESTER - YELLOW VERSION

## 09.09(01) GEARS

Ref	Part Number	Qty	Description
1	396136	1	BEARING, NEEDLE, {PP:80396136}
2	84021742	1	GEAR,
3	396120	1	SLEEVE, {PP:80396120}
4	9837153	1	SYNCHRONIZER, {PP:89837153}
5	140045	6	WASHER, LOCK, {PP:80140045} Belleville, M10, 10MM
6	100016	6	NUT, {PP:80100016} M10, CI 8, M10
7	9819648	1	FLANGE, {PP:89819648}
8	388116	1	SEAL, {PP:80388116}
9	9819906	1	GASKET, {PP:89819906}
10	322365	1	BEARING ASSY, {PP:80322365}
11	396121	1	SLEEVE, {PP:80396121}
12	9837148	1	GEAR, {PP:89837148}
13	396137	1	BEARING ASSY, {PP:80396137}

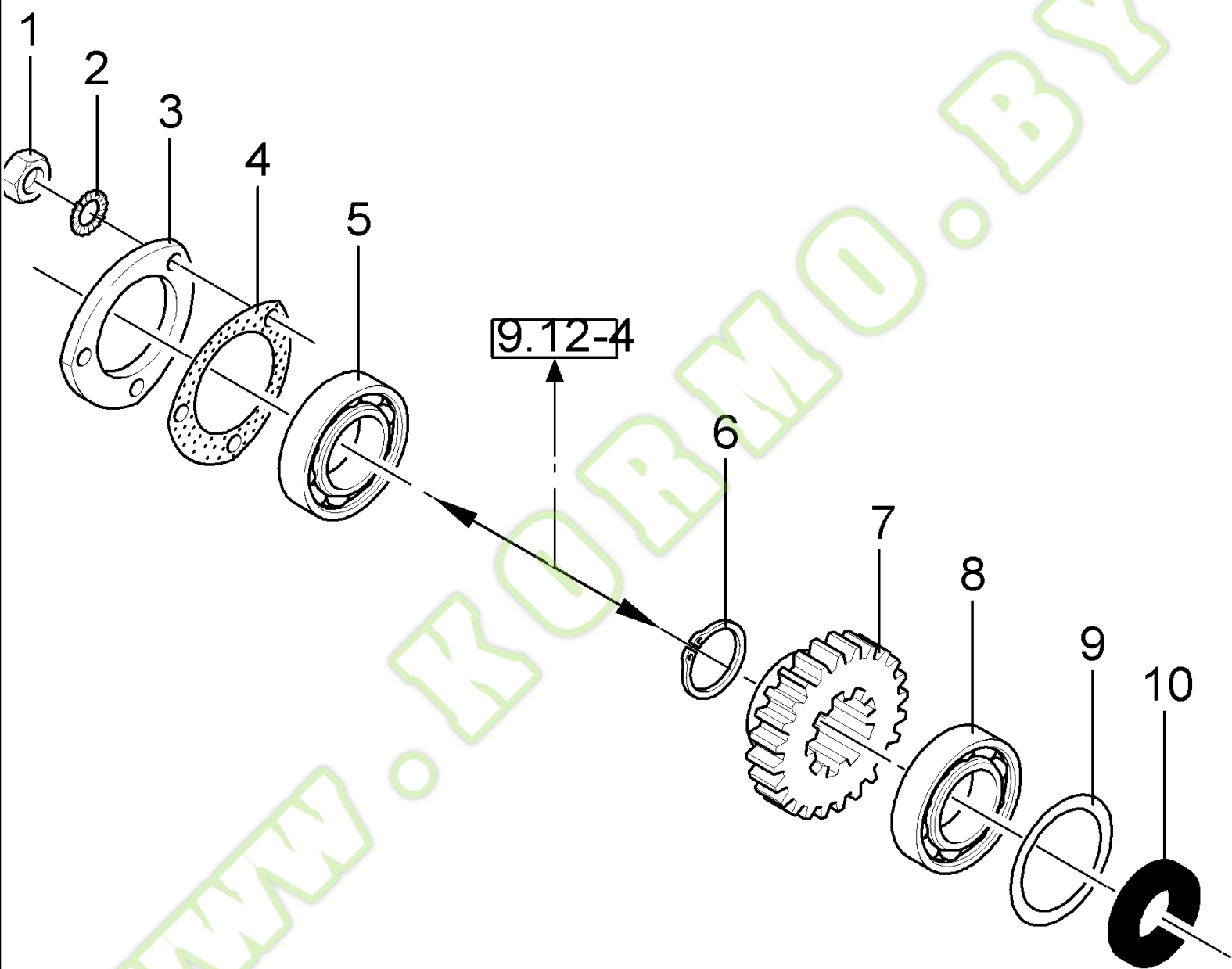
WWW.KORMO.BY



## FX375 NH SELF PROPELLED FORAGE HARVESTER - YELLOW VERSION

## 09.10(01) GEARS

Ref	Part Number	Qty	Description
1	100016	5	NUT, {PP:80100016} M10, CI 8, M10
2	140045	5	WASHER, LOCK, {PP:80140045} Belleville, M10, 10MM
3	150006	1	PLUG, {PP:80150006}
4	220025	1	GASKET, {PP:80220025}
5	430661	1	FLANGE, {PP:80430661}
6	394468	1	GASKET, {PP:80394468}
7	423273	1	BEARING ASSY, {PP:80423273}
8	384259	1	SHAFT, {PP:80384259}
9	394361	1	BUSHING, {PP:80394361}
10	84021741	1	GEAR,
11	394359	1	BUSHING, {PP:80394359}
12	796145	1	GEAR, {PP:80796145}
13	384262	1	GEAR, {PP:80384262}
14	423362	1	BEARING ASSY, {PP:80423362}
15	412192	AR	SHIM, {PP:80412192}
16	430964	1	BUSHING, {PP:80430964}

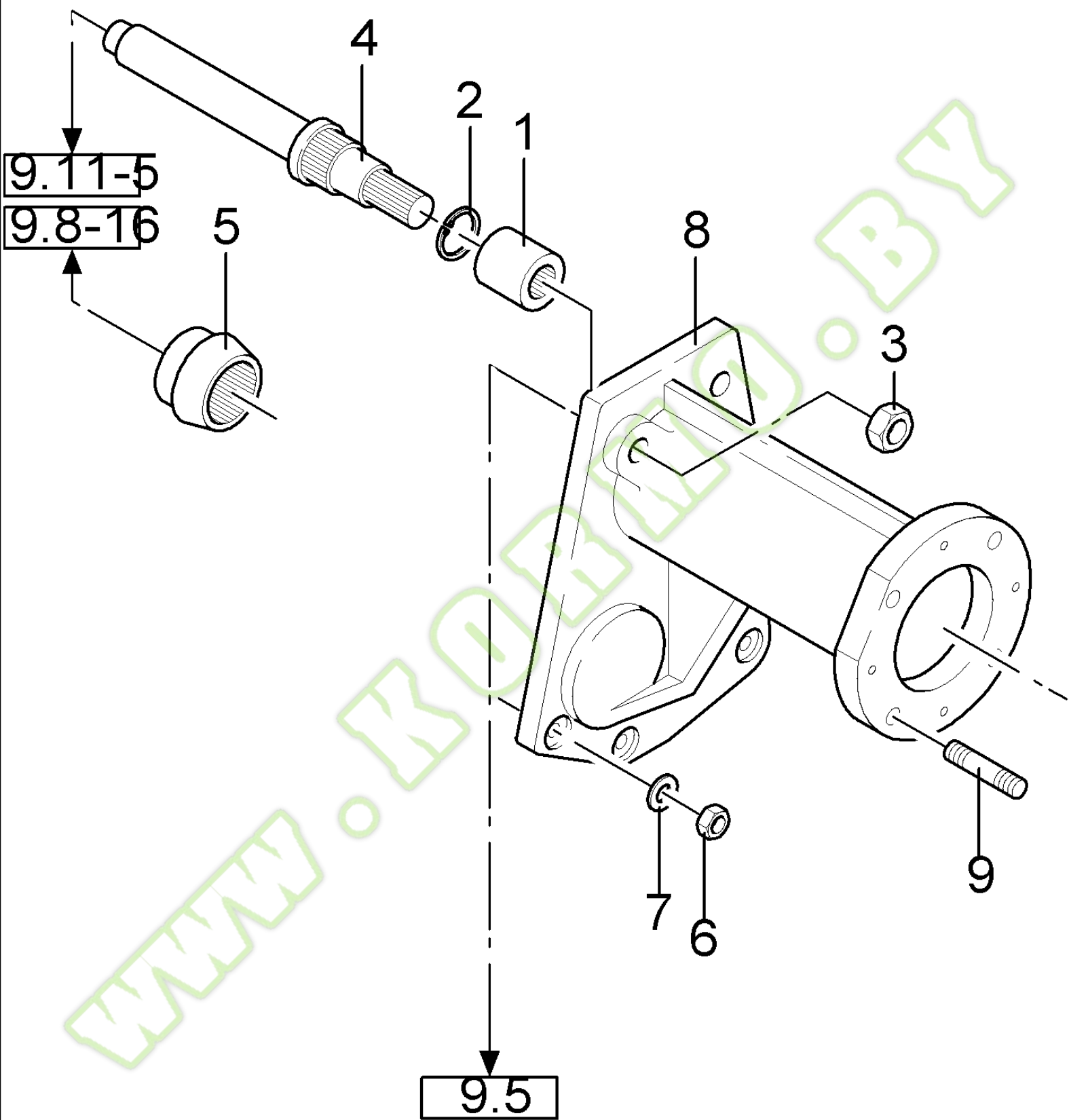


## FX375 NH SELF PROPELLED FORAGE HARVESTER - YELLOW VERSION

## 09.11(01) GEARS

Ref	Part Number	Qty	Description
1	100016	3	NUT, {PP:80100016} M10, CI 8, M10
2	140045	3	WASHER, LOCK, {PP:80140045} Belleville, M10, 10MM
3	381934	1	FLANGE, {PP:80381934}
4	382225	1	GASKET, {PP:80382225}
5	42449	1	BEARING, BALL, {PP:80042449}
6	234569	1	RING, SNAP, {PP:80234569} #187, Ext, #187, Ext
7	395963	1	GEAR, {PP:80395963}
8	42543	1	BEARING ASSY, {PP:80042543}
9	412192	AR	SHIM, {PP:80412192}
10	388116	1	SEAL, {PP:80388116}

WWW.KORMO.BY

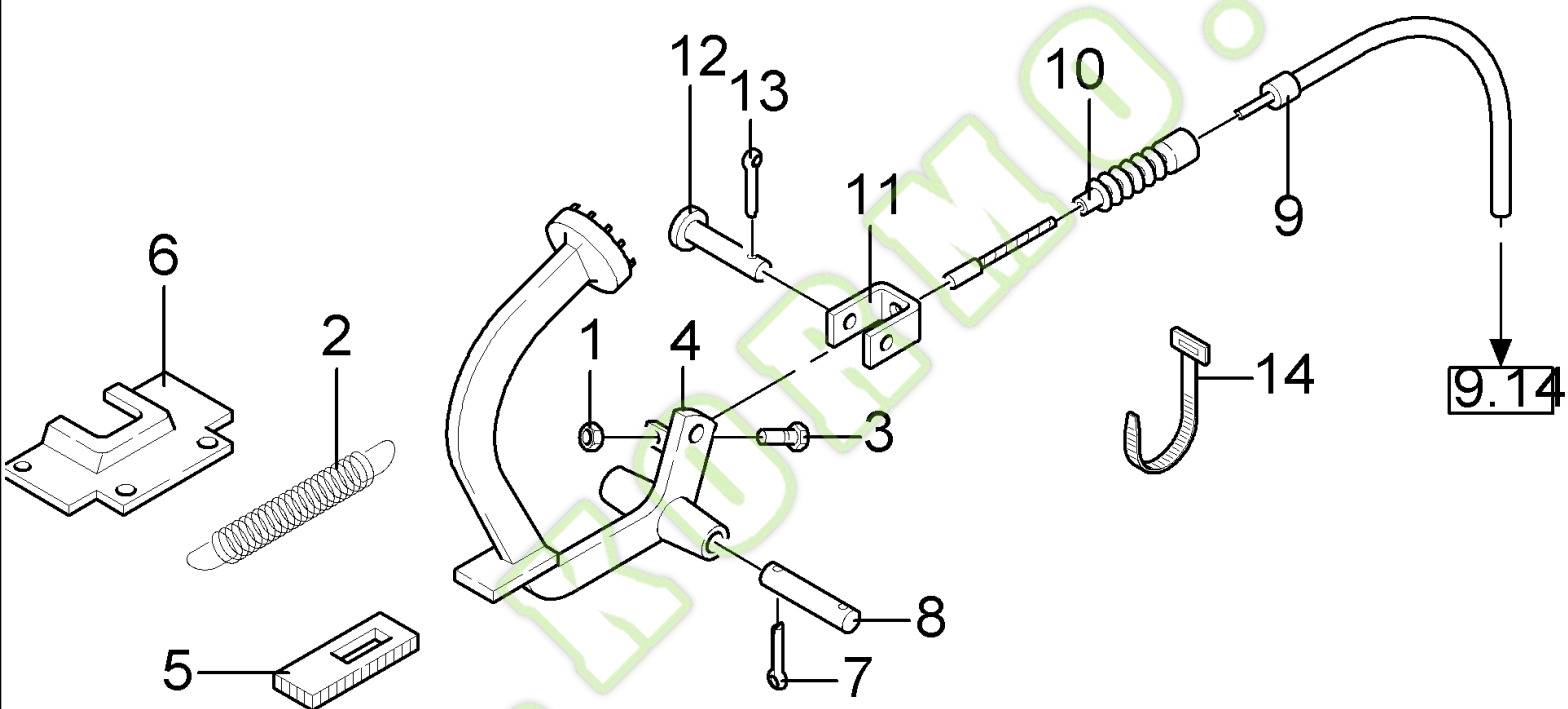


## FX375 NH SELF PROPELLED FORAGE HARVESTER - YELLOW VERSION

## 09.12(01) SPECIFIC PARTS - HYDROSTATIC DRIVE

Ref	Part Number	Qty	Description
1	696665	1	COUPLING, {PP:80696665}
2	34163	1	RING, SNAP, {PP:80034163} 1.375, Int, #137, 1.375", Int, #137
3	100037	2	NUT, {PP:80100037} M10 x 1.5, CI 8, M10
4	396115	1	SHAFT, {PP:80396115}
5	9508580	1	SLEEVE, {PP:89508580}
6	337475	4	NUT, {PP:80337475} M12, CI 10, M12
7	140046	4	WASHER, LOCK, {PP:80140046} Belleville, M12, 12MM
8	89833146	1	SUPPORT,
9	350341	4	STUD, {PP:80350341}

WWW.KORMO.BY



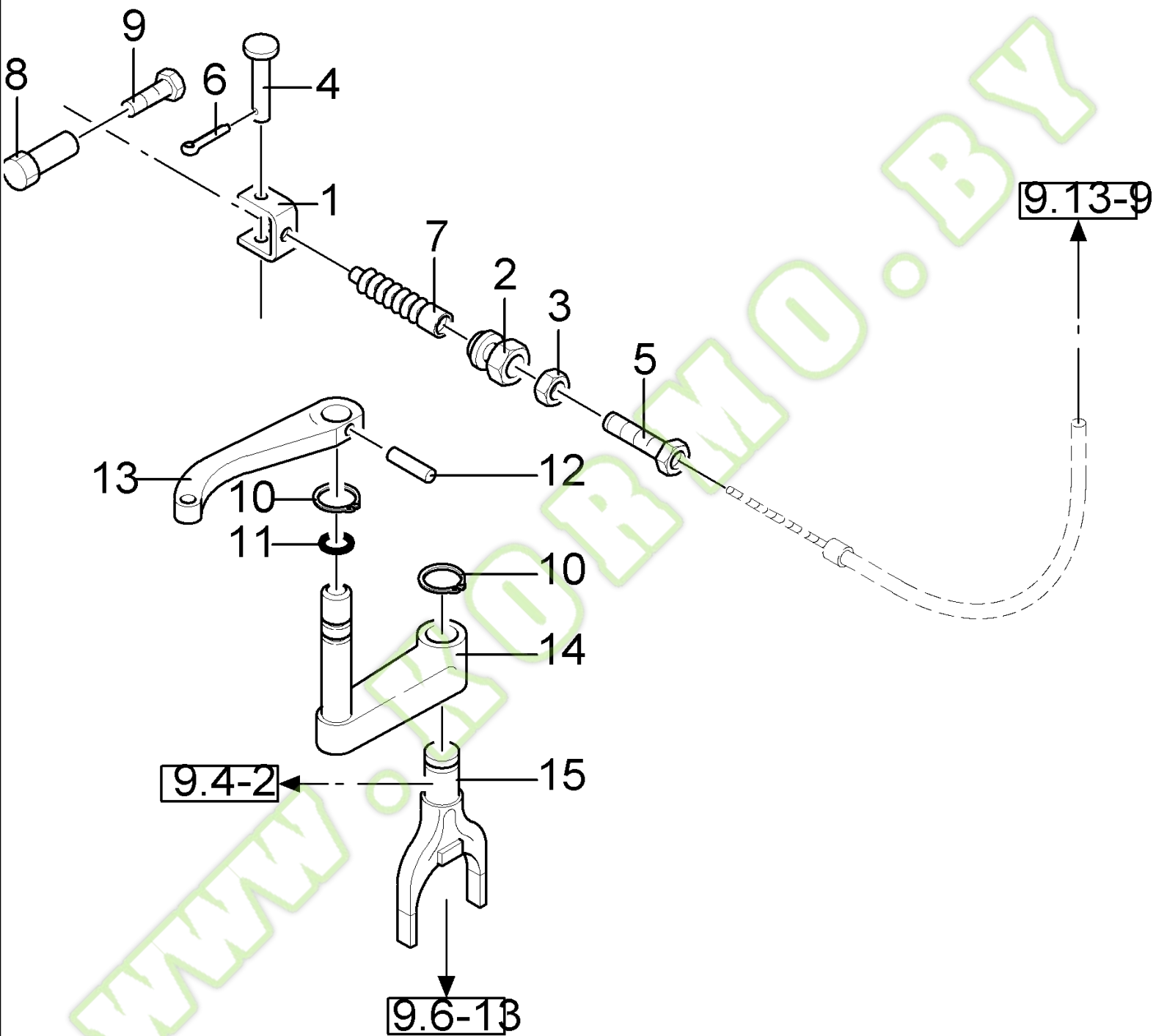


## FX375 NH SELF PROPELLED FORAGE HARVESTER - YELLOW VERSION

## 09.13(01) DIFFERENTIAL LOCK CONTROL

Ref	Part Number	Qty	Description
1	100015	1	NUT, {PP:80100015} M8, CI 8, M8
2	9811656	1	SPRING, {PP:89811656}
3	43128	1	SCREW, {PP:80043128} Hex, M8 x 30, 8.8, Cap, HH, CL 8.8, M8 x 1.25 x 30
4	89839669	1	PEDAL,
5	89839853	1	ELEMENT, SEALING,
6	9819825	1	COVER, {PP:89819825}
7	412685	2	PIN, SPLIT (COTTER), {PP:80412685} M4 x 32,
8	80390066	1	PIN,
9	80431834	1	CABLE,
10	427705	1	COVER, {PP:80427705}
11	388340	1	YOKE, {PP:80388340}
12	376876	1	PIN, {PP:80376876}
13	300399	1	PIN, SPLIT (COTTER), {PP:80300399}
14	323597	3	STRAP, {PP:80323597}

WWW.KORMO.BY

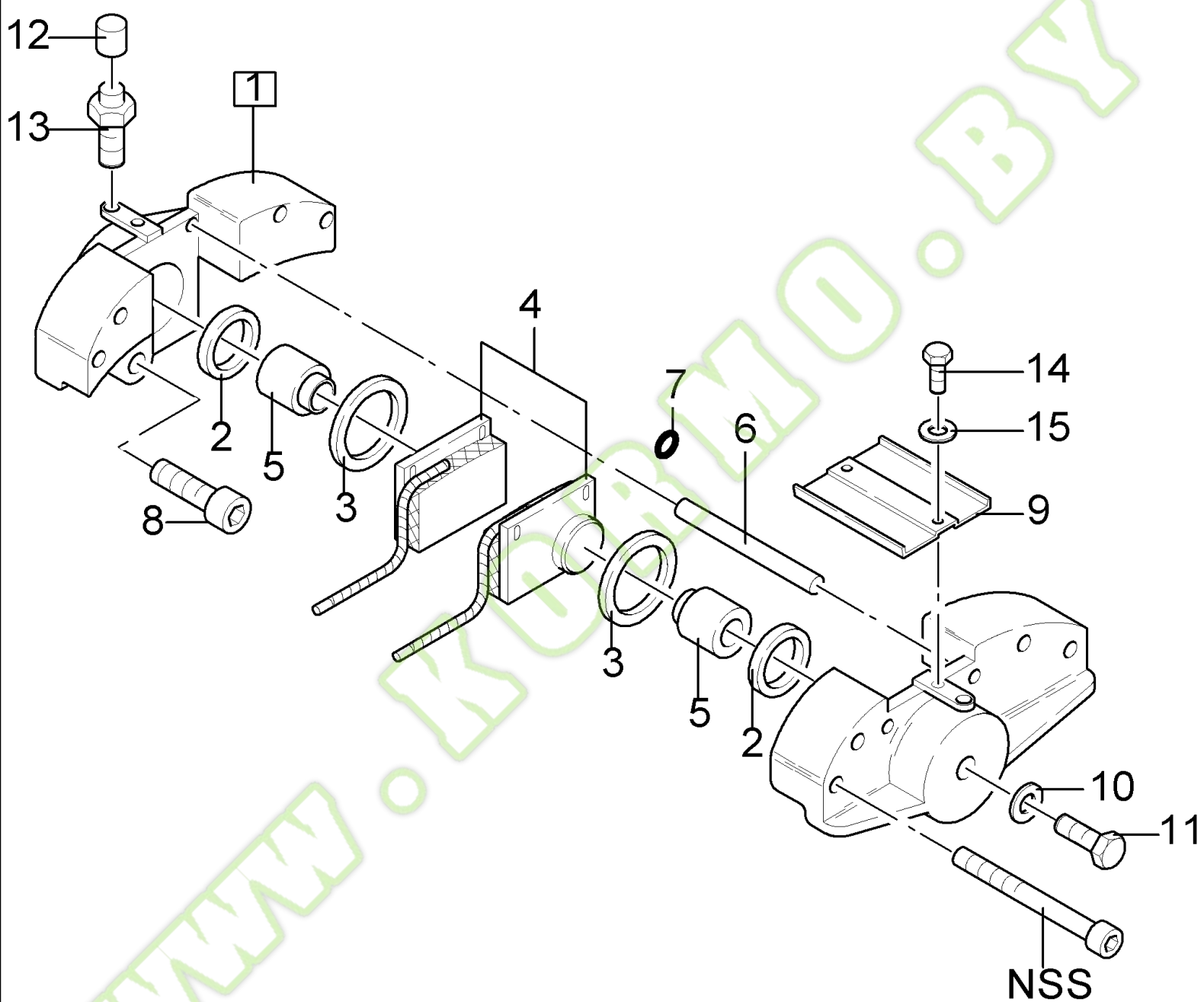


## FX375 NH SELF PROPELLED FORAGE HARVESTER - YELLOW VERSION

## 09.14(01) DIFFERENTIAL LOCK CONTROL

Ref	Part Number	Qty	Description
1	388340	1	YOKE, {PP:80388340}
2	449470	1	NUT, {PP:80449470}
3	100016	1	NUT, {PP:80100016} M10, CI 8, M10
4	376876	1	PIN, {PP:80376876}
5	449469	1	SCREW, {PP:80449469}
6	300399	1	PIN, SPLIT (COTTER), {PP:80300399}
7	9818291	1	COVER, {PP:89818291}
8	381140	1	CLAMP, {PP:80381140}
9	120100	1	BOLT, {PP:80120100} Hex, M6 x 20, 8.8, M6X20
10	80370002	2	CIRCLIP,
11	89818942	1	O-RING,
12	9506888	1	PIN, {PP:89506888}
13	89818943	1	HANDLE,
14	89818945	1	ARM,
15	89818947	1	YOKE,

WWW.KORMO.BY

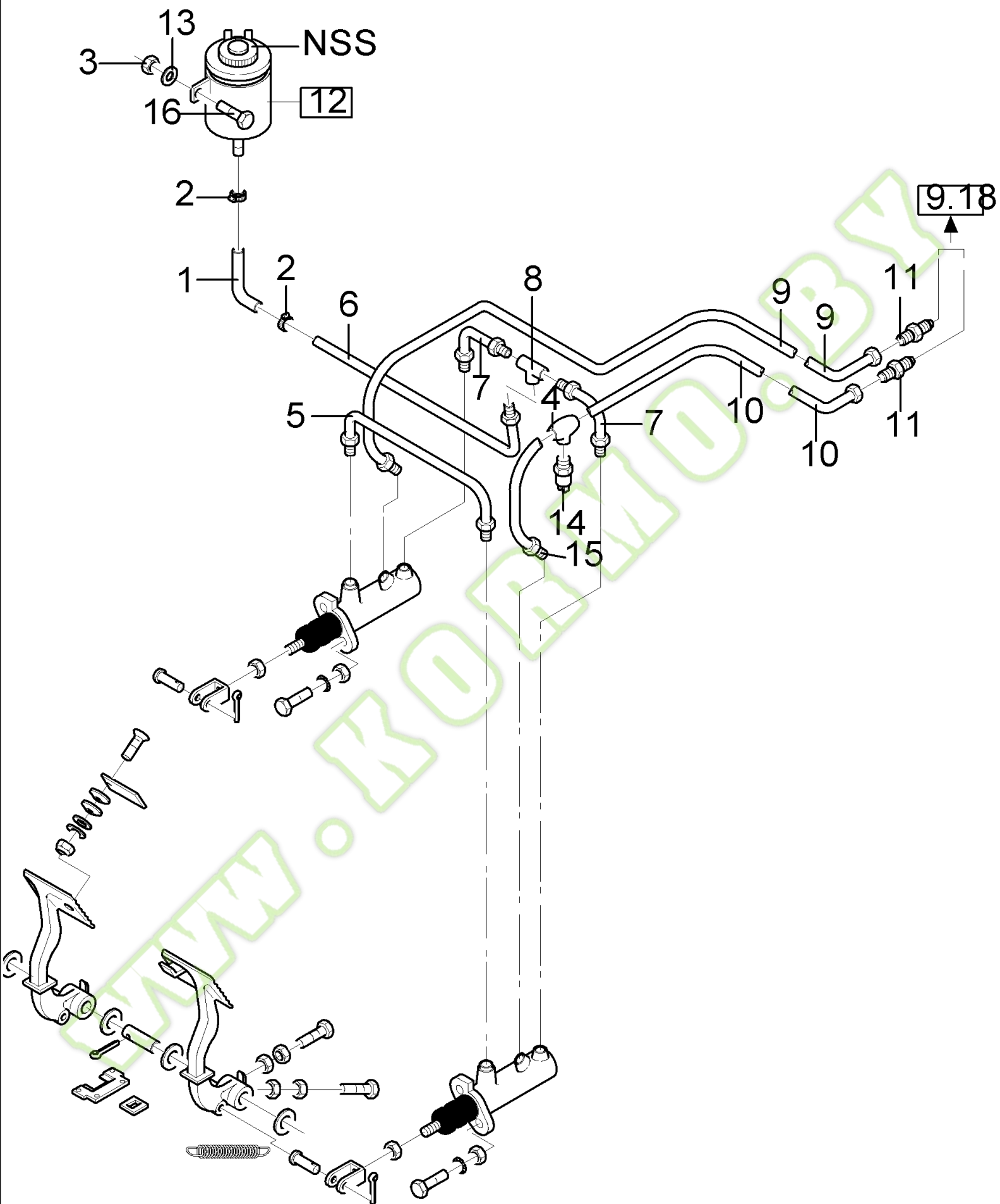


## FX375 NH SELF PROPELLED FORAGE HARVESTER - YELLOW VERSION

## 09.15(01) BRAKE ASSY

Ref	Part Number	Qty	Description
1	9819370	4	BRAKE, {PP:89819370} (4 TO 7)
2	9835351	8	GASKET, {PP:89835351}
3	9835350	8	GASKET, {PP:89835350}
4	9832306	8	BRAKE, PAD, {PP:89832306}
5	9850149	8	PISTON, {PP:89850149}
6	9850148	8	PIN, {PP:89850148}
7	9835353	4	O-RING, {PP:89835353}
8	89817243	8	SCREW, Cap, HS, CL 12.9, M16 x 2 x 50
9	84004317	2	COVER,
10	9832305	8	RING, {PP:89832305}
11	9832307	8	PLUG, {PP:89832307}
12	9832308	4	PLUG, {PP:89832308}
13	9835349	4	CAP, INTRODUCTION, {PP:89835349}
14	80300806	4	SCREW, M5X10
15	322356	4	WASHER, LOCK, {PP:80322356}

WWW.KORMO.BY

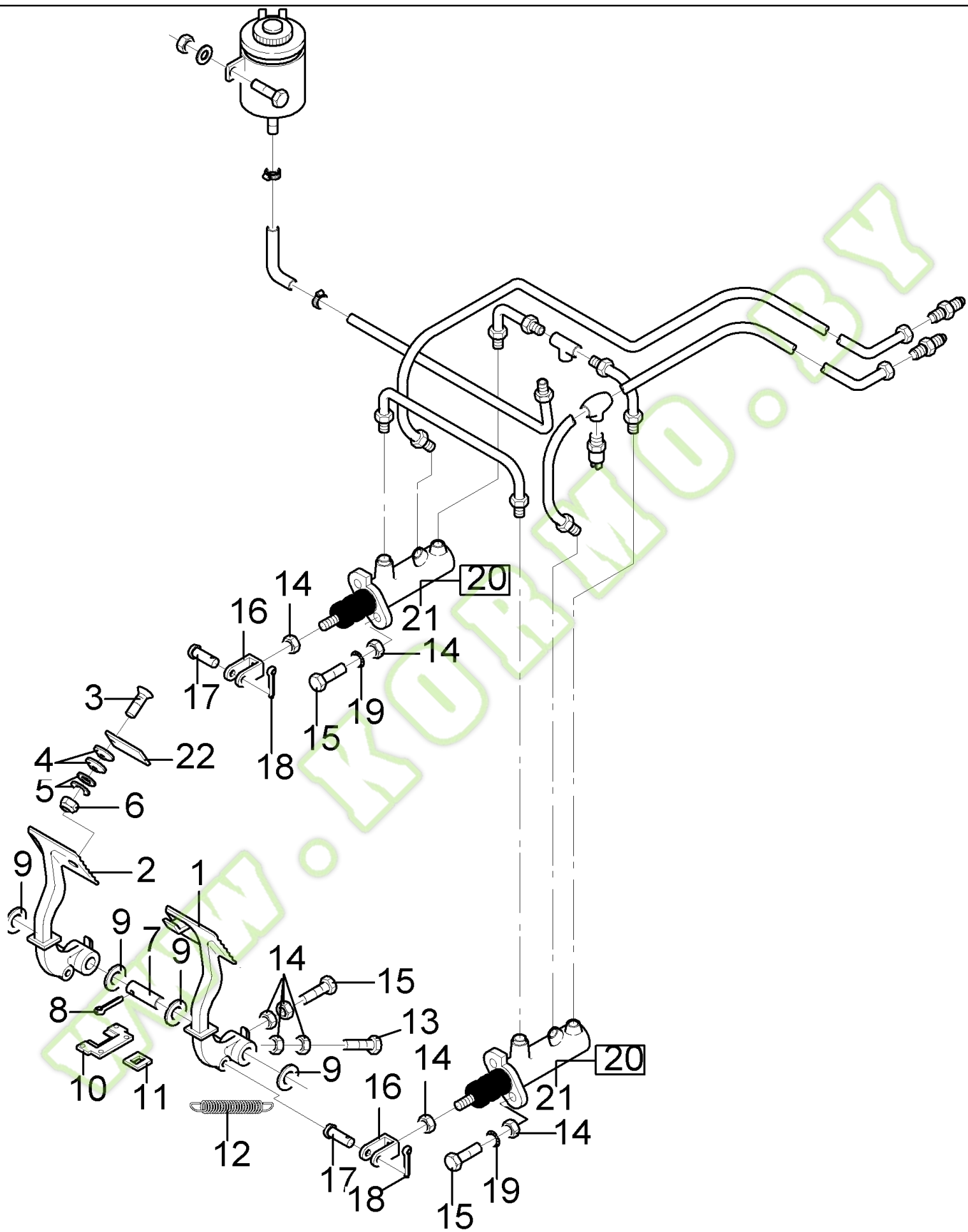


## FX375 NH SELF PROPELLED FORAGE HARVESTER - YELLOW VERSION

## 09.16(01) CIRCUIT FOR HYDRAULIC BRAKES

Ref	Part Number	Qty	Description
1	410970	1	HOSE, {PP:80410970}
2	913888	2	CLAMP, {PP:80913888}
3	9706755	2	NUT, {PP:89706755} M6, CI 8, M6
4	9505391	1	CONNECTION, 3 WAY, {PP:89505391}
5	84014317	2	TUBE, HYD,
6	84014219	1	TUBE, HYD,
7	9837814	2	TUBE, HYD, {PP:89837814}
8	919855	1	CONNECTION, 3 WAY, {PP:80919855}
9	84000932	1	TUBE, HYD,
10	84014321	1	TUBE, HYD,
11	336722	2	CONNECTOR, HYD., {PP:80336722}
12	9819520	1	RESERVOIR, HYDRAULIC OIL, {PP:89819520}
13	322357	2	WASHER, LOCK, {PP:80322357} Belleville, M6, Belleville, M6
14	354372	1	SENSOR, {PP:80354372}
15	84014319	1	TUBE, HYD,
16	80120099	2	SCREW, Hex, M6 x 16, 8.8, M6X16

09.17(01) PEDALS HYDRAULIC BRAKES

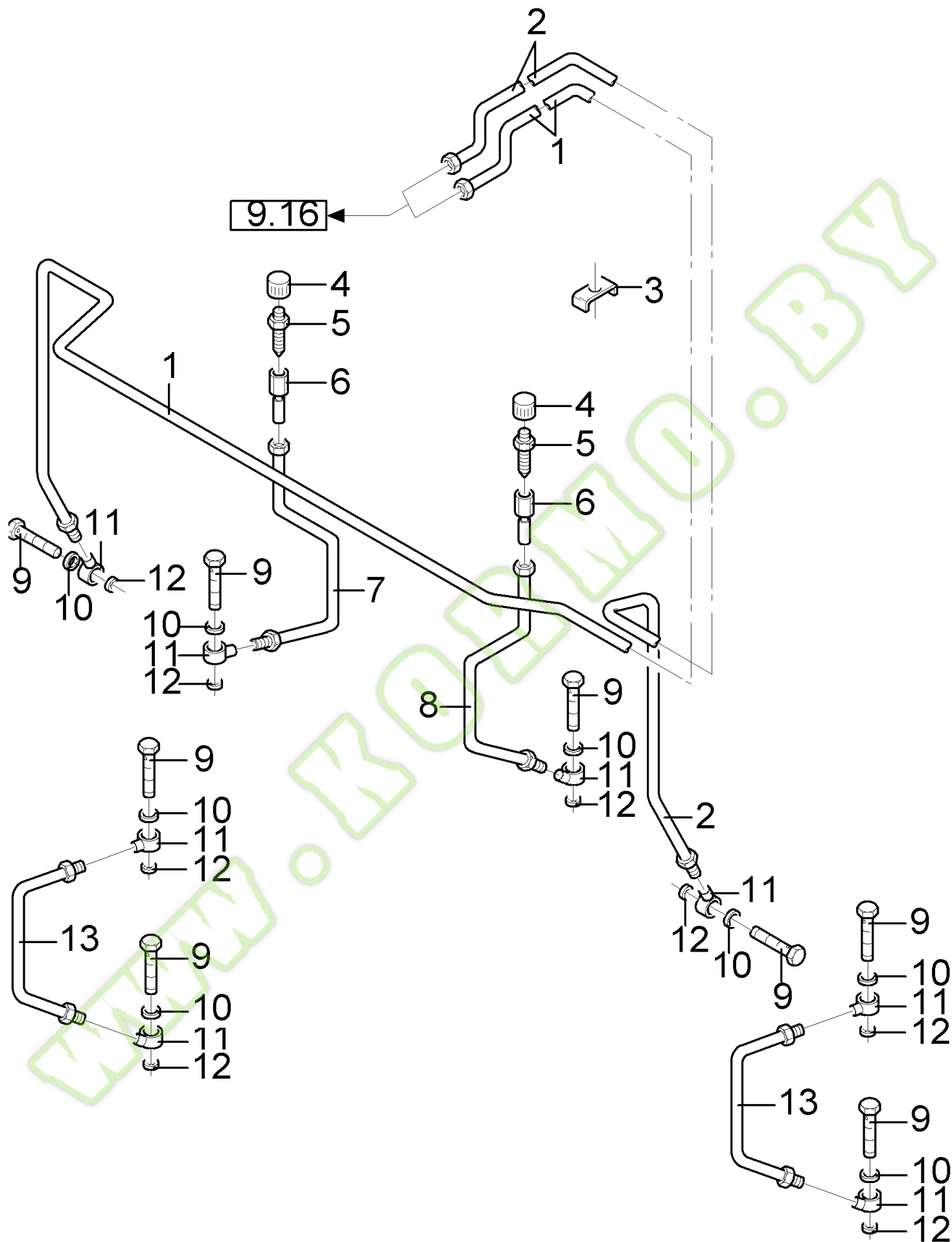




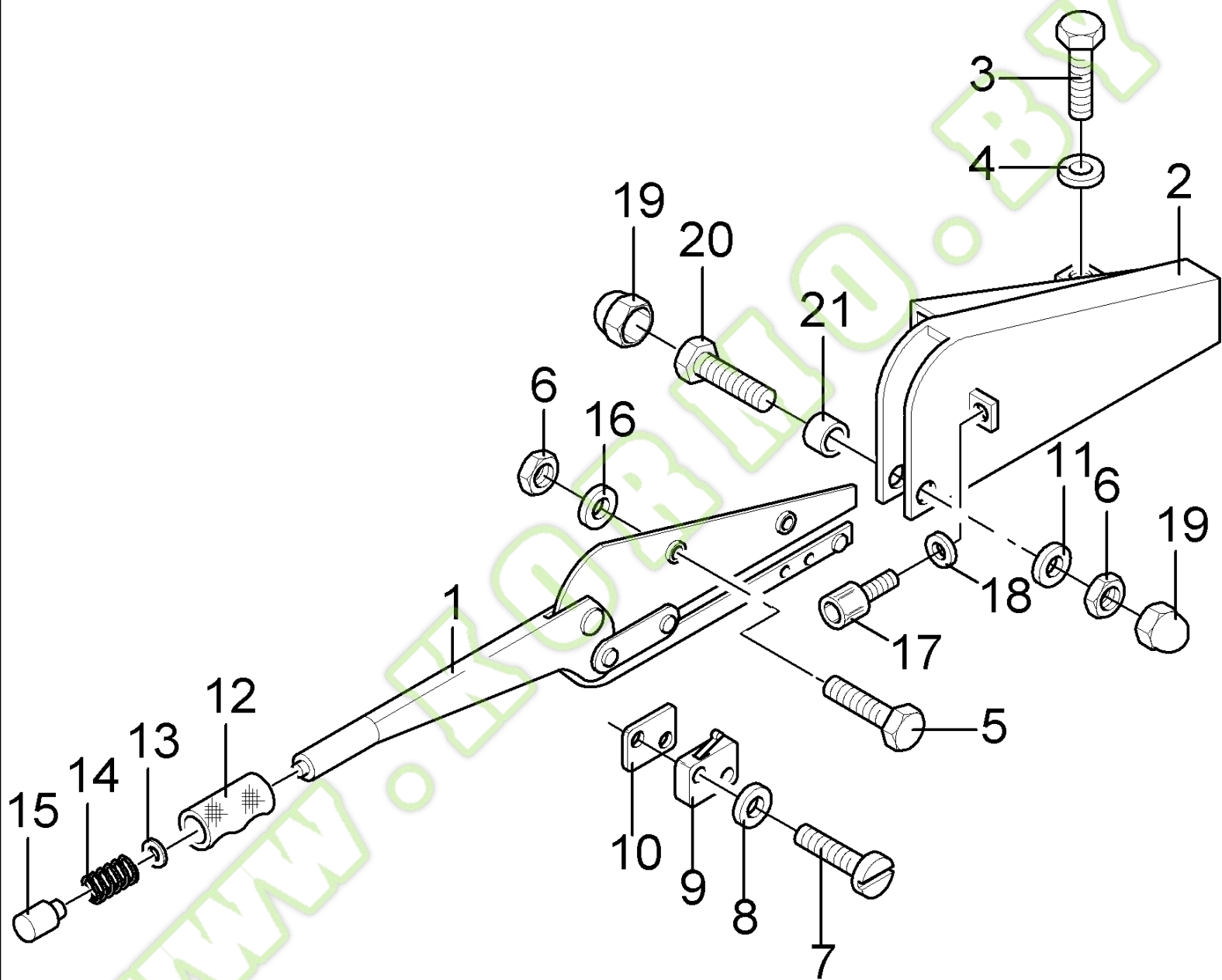
## FX375 NH SELF PROPELLED FORAGE HARVESTER - YELLOW VERSION

## 09.17(01) PEDALS HYDRAULIC BRAKES

Ref	Part Number	Qty	Description
1	9594861	1	PEDAL, {PP:89594861} LH
2	9594862	1	PEDAL, {PP:89594862} RH
3	412168	1	SCREW, {PP:80412168} Hex Soc Flat Hd, M8 x 30, 8.8, M8X30
4	397881	2	WASHER, {PP:80397881}
5	84012127	2	WASHER, LOCK,
6	43442	1	NUT, {PP:80043442} M8 x 1.25", CI 8, M8
7	9819905	1	SHAFT, {PP:89819905}
8	130007	2	PIN, SPLIT (COTTER), {PP:80130007} M4 x 25,
9	9513615	AR	WASHER, {PP:89513615}
10	9819825	2	COVER, {PP:89819825}
11	9819826	2	ELEMENT, SEALING, {PP:89819826}
12	9811656	2	SPRING, {PP:89811656}
13	120106	2	SCREW, {PP:80120106} Hex, M8 x 40, 8.8, Full Thd, Hex, M8 x 40, 8.8, Full Thd
14	100015	10	NUT, {PP:80100015} M8, CI 8, M8
15	43128	6	SCREW, {PP:80043128} Hex, M8 x 30, 8.8, Cap, HH, CL 8.8, M8 x 1.25 x 30
16	921491	2	YOKE, {PP:80921491}
17	412414	2	PIN, {PP:80412414}
18	9512667	2	PIN, SPLIT (COTTER), {PP:89512667} M6.3 x 40,
19	322358	4	WASHER, LOCK, {PP:80322358} Belleville, M8, 8MM
20	9509901	2	MASTER CYLINDER, {PP:89509901} (21)
21	9817544	2	KIT, REPAIR, {PP:89817544}
22	449009	1	PLATE, {PP:80449009}



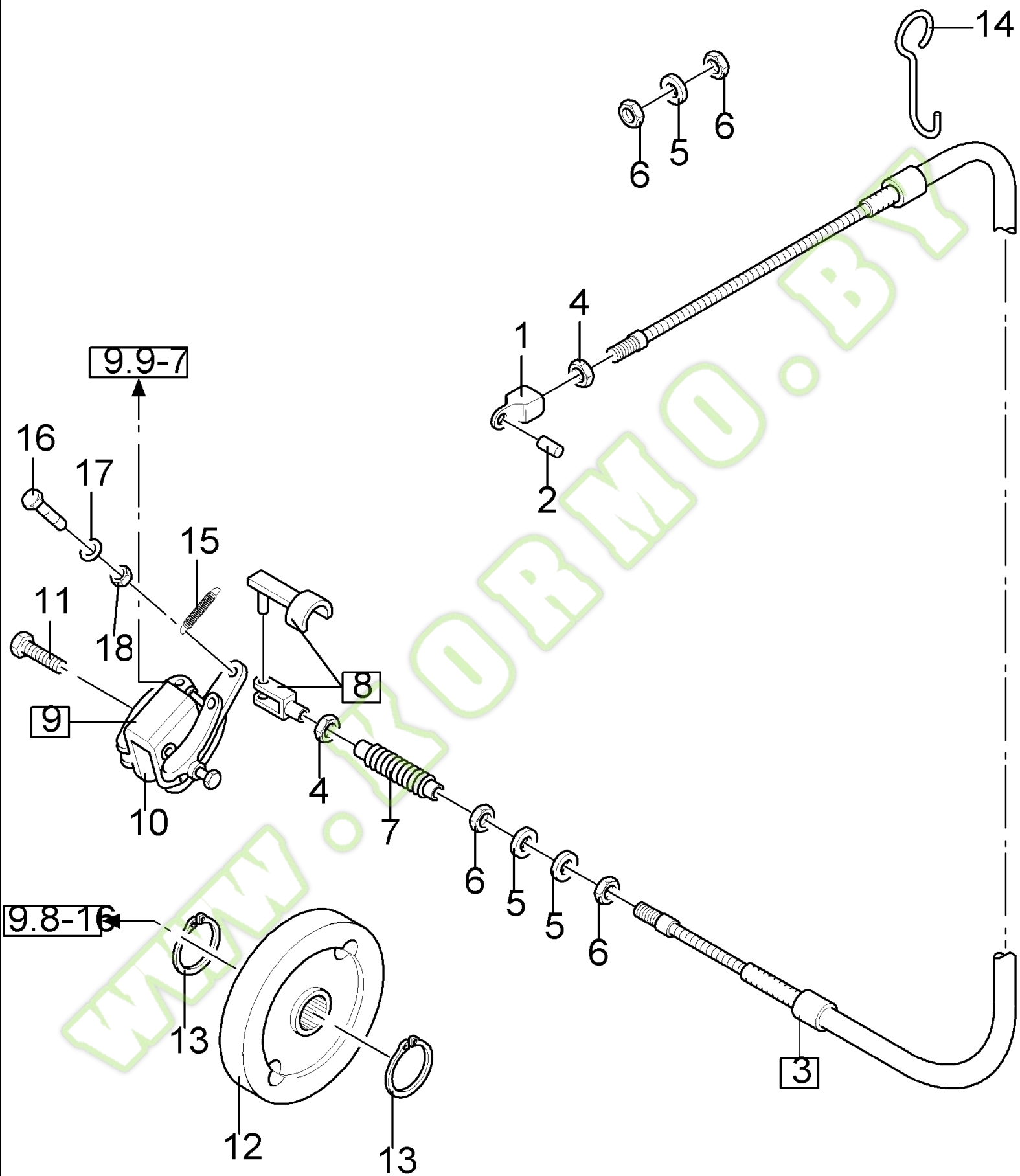
Ref	Part Number	Qty	Description
1	84022025	1	TUBE, RIGID,
2	84022027	1	TUBE, RIGID,
3	336760	AR	CLAMP, {PP:80336760}
4	9835349	2	CAP, INTRODUCTION, {PP:89835349}
5	9832308	2	PLUG, {PP:89832308}
6	9835807	2	CONNECTOR, HYD., {PP:89835807}
7	9835999	1	TUBE, HYD, {PP:89835999}
8	9837000	1	TUBE, HYD, {PP:89837000}
9	9832304	8	SCREW, {PP:89832304}
10	355607	8	RING, {PP:80355607} 12MM
11	9832303	8	CONNECTOR, HYD., {PP:89832303}
12	9832305	8	RING, {PP:89832305} 10MM
13	9835995	2	TUBE, {PP:89835995}



## FX375 NH SELF PROPELLED FORAGE HARVESTER - YELLOW VERSION

## 09.19(01) TRANSMISSION HANDBRAKE

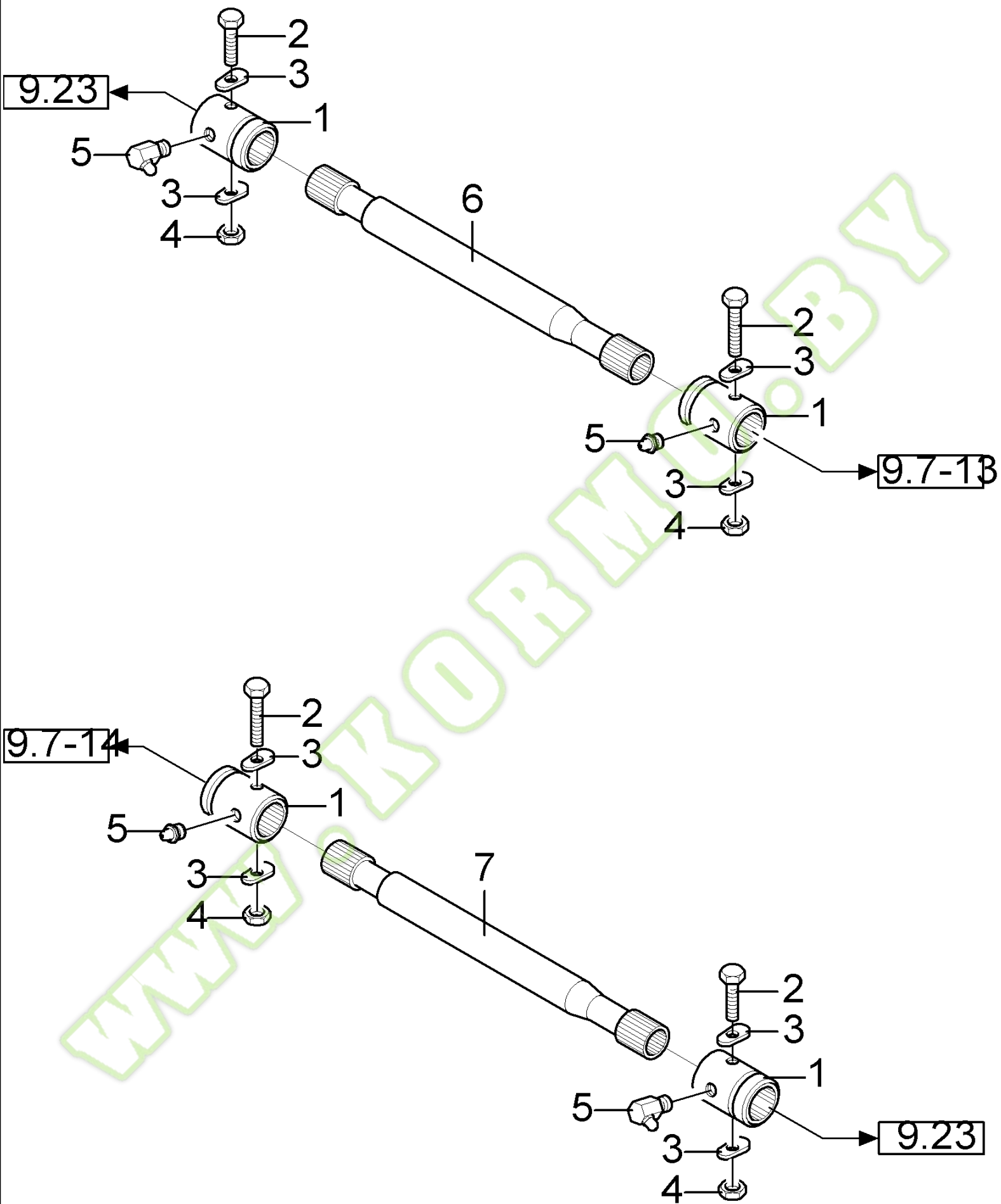
Ref	Part Number	Qty	Description
1	84007151	1	BRAKE, HAND,
2	84005291	1	SUPPORT,
3	80120104	1	SCREW, M8X20
4	322358	1	WASHER, LOCK, {PP:80322358} Belleville, M8, 8MM
5	80120102	4	SCREW, M6X40
6	9706755	5	NUT, {PP:89706755} M6, CI 8, M6
7	84021091	2	SCREW, M3X20
8	412547	2	WASHER, LOCK, {PP:80412547} Serr, M3, 3MM
9	399159	1	SWITCH, {PP:80399159}
10	84015508	1	PLATE, COVER,
11	448889	1	WASHER, {PP:80448889}
12	E9NN2N672CB	1	HANDLE GRIP, {PP:81866090}
13	140015	1	WASHER, {PP:80140015} 6MM
14	84005684	1	SPRING,
15	84005683	1	KNOB,
16	322357	4	WASHER, LOCK, {PP:80322357} Belleville, M6, Belleville, M6
17	84007540	2	SCREW, M6X25
18	84007539	2	WASHER,
19	747881	2	NUT, {PP:80747881} M6
20	86977789	1	SCREW, Hex, M6 x 35, 8.8, Hex, M6 x 35, 8.8
21	84014547	1	BUSHING,



## FX375 NH SELF PROPELLED FORAGE HARVESTER - YELLOW VERSION

## 09.20(01) TRANSMISSION HANDBRAKE

Ref	Part Number	Qty	Description
1	84005292	1	YOKE,
2	385818	1	PIN, {PP:80385818}
3	84004404	1	CABLE, (4 TO 8)
4	80354720	2	NUT, Thin, M10 x 1.5, CI 05, M10
5	140048	3	WASHER, LOCK, {PP:80140048} Belleville, M16, 16MM
6	364164	4	NUT, {PP:80364164} Thin, M16 x 1.5, CI 04, M16X1.5
7	84007603	1	PROTECTING COVER,
8	9838355	1	YOKE, {PP:89838355}
9	9819715	1	BRAKE, {PP:89819715} (10)
10	9819908	2	BRAKE LINING, {PP:89819908}
11	9832986	2	SCREW, {PP:89832986} M10X30
12	9819552	1	BRAKE DISC, {PP:89819552}
13	370006	2	CIRCLIP, {PP:80370006}
14	84011921	1	HOOK,
15	29833	1	SPRING, {PP:80029833}
16	120068	1	SCREW, {PP:80120068} Hex, M10 x 40, 8.8, Full Thd, M10X40
17	378244	1	WASHER, LOCK, {PP:80378244} 10MM
18	100037	1	NUT, {PP:80100037} M10 x 1.5, CI 8, M10



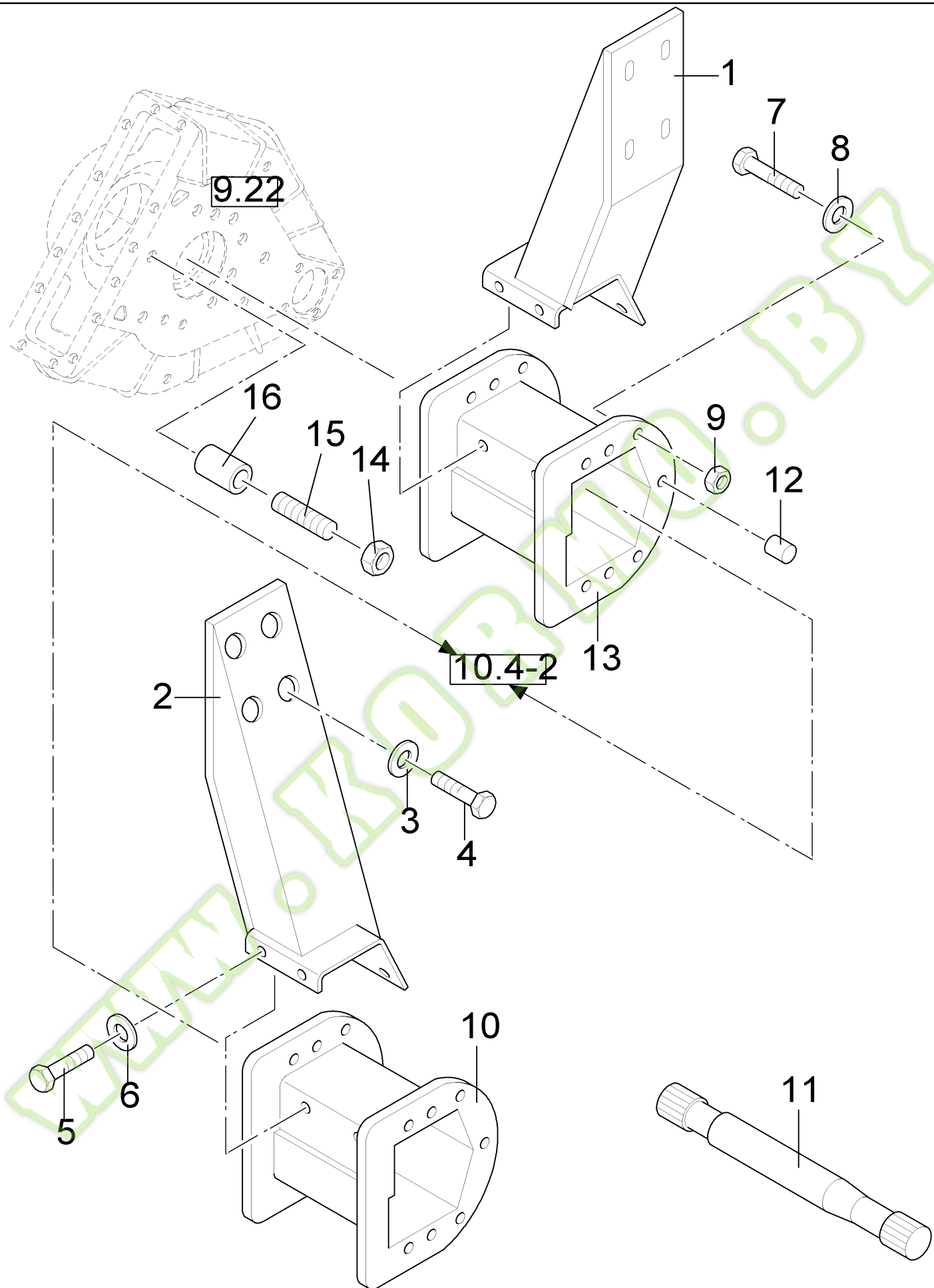


## FX375 NH SELF PROPELLED FORAGE HARVESTER - YELLOW VERSION

## 09.21(01) DRIVE SHAFTS

Ref	Part Number	Qty	Description
1	445956	4	CONNECTOR, {PP:80445956}
2	120073	4	SCREW, {PP:80120073} Hex, M10 x 80, 8.8, M10X80
3	80158013	8	WASHER, 10MM
4	100037	4	NUT, {PP:80100037} M10 x 1.5, CI 8, M10
5	321204	4	NIPPLE, LUBE, {PP:80321204}
6	392900	1	SHAFT, {PP:80392900} LH, D3300-
6	84021080	1	SHAFT, LH, -C0432
7	84045457	1	SHAFT, RH, D3300-
7	89833078	1	SHAFT, CONTROL, RH, -C0432

WWW.KORMO.BY



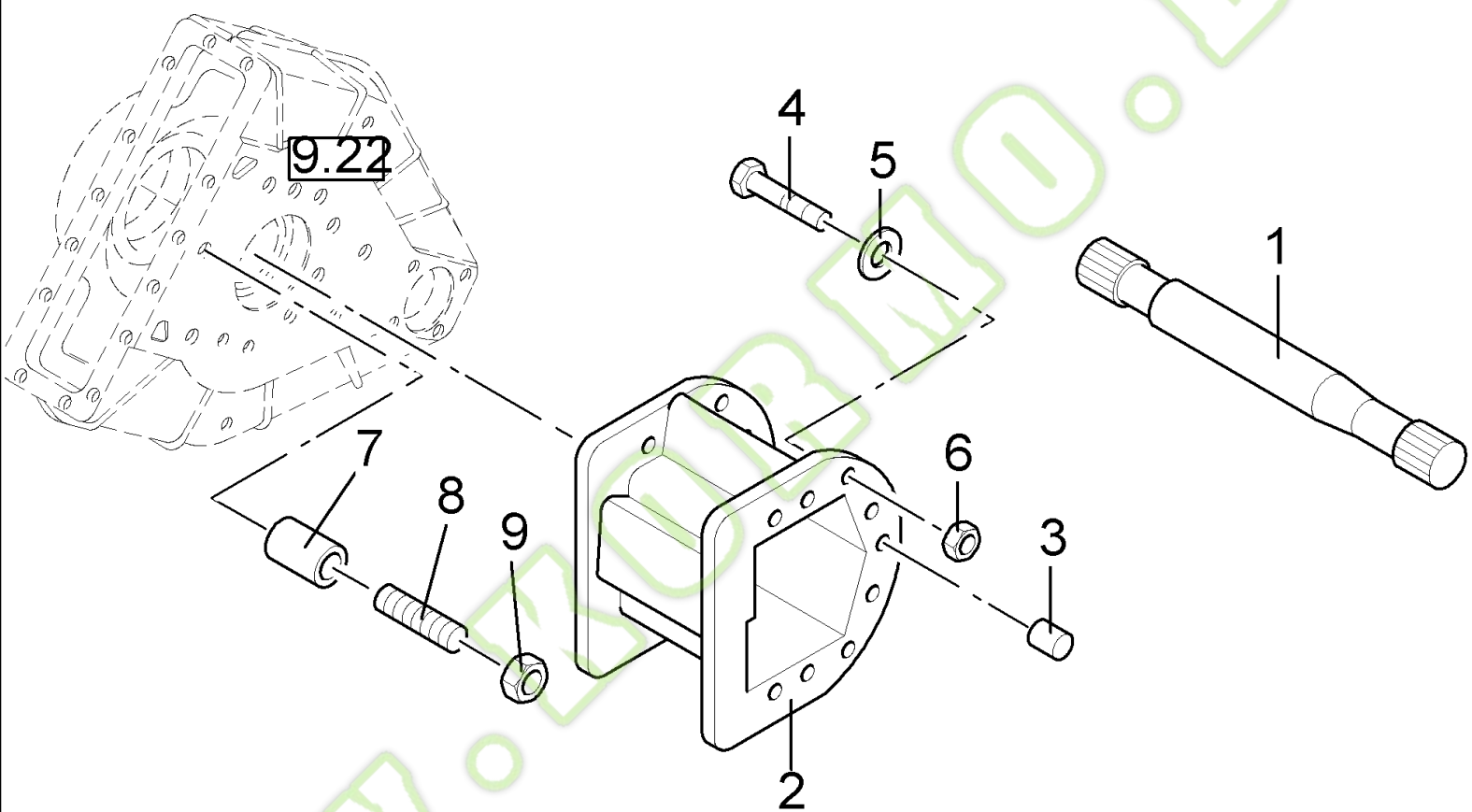
## FX375 NH SELF PROPELLED FORAGE HARVESTER - YELLOW VERSION

## 09.21A(01) EXTENSION KIT

Ref	Part Number	Qty	Description
1	84002763	1	SUPPORT,
2	84002705	1	SUPPORT,
3	394631	8	WASHER, {PP:80394631} 16MM
6	394630	10	WASHER, {PP:80394630} 12MM
7	80374890	14	SCREW, M20X60
8	322359	14	WASHER, LOCK, {PP:80322359} Belleville, M20, 20MM
10	84002693	1	EXTENSION,
11	84036433	1	SHAFT, CONTROL, LH
11	9512564	1	SHAFT, CONTROL, {PP:89512564} RH
12	9838201	4	PIN, {PP:89838201}
13	84002762	1	EXTENSION,
14	100085	2	NUT, {PP:80100085} M20 x 1.5, CI 8, M20
15	84007752	2	PROP,
16	84035318	2	BUSHING,
4	120126	8	SCREW, {PP:80120126} Hex, M16 x 30, 8.8, Full Thd, Hex, M16 x 30, 8.8, Full Thd
9	100023	14	NUT, {PP:80100023} M20, CI 8, M20
5	9706687	10	SCREW, {PP:89706687} Hex, M12 x 30, 8.8, M12X30

ONLY VALID UNTIL SERIAL NO. --14999





## FX375 NH SELF PROPELLED FORAGE HARVESTER - YELLOW VERSION

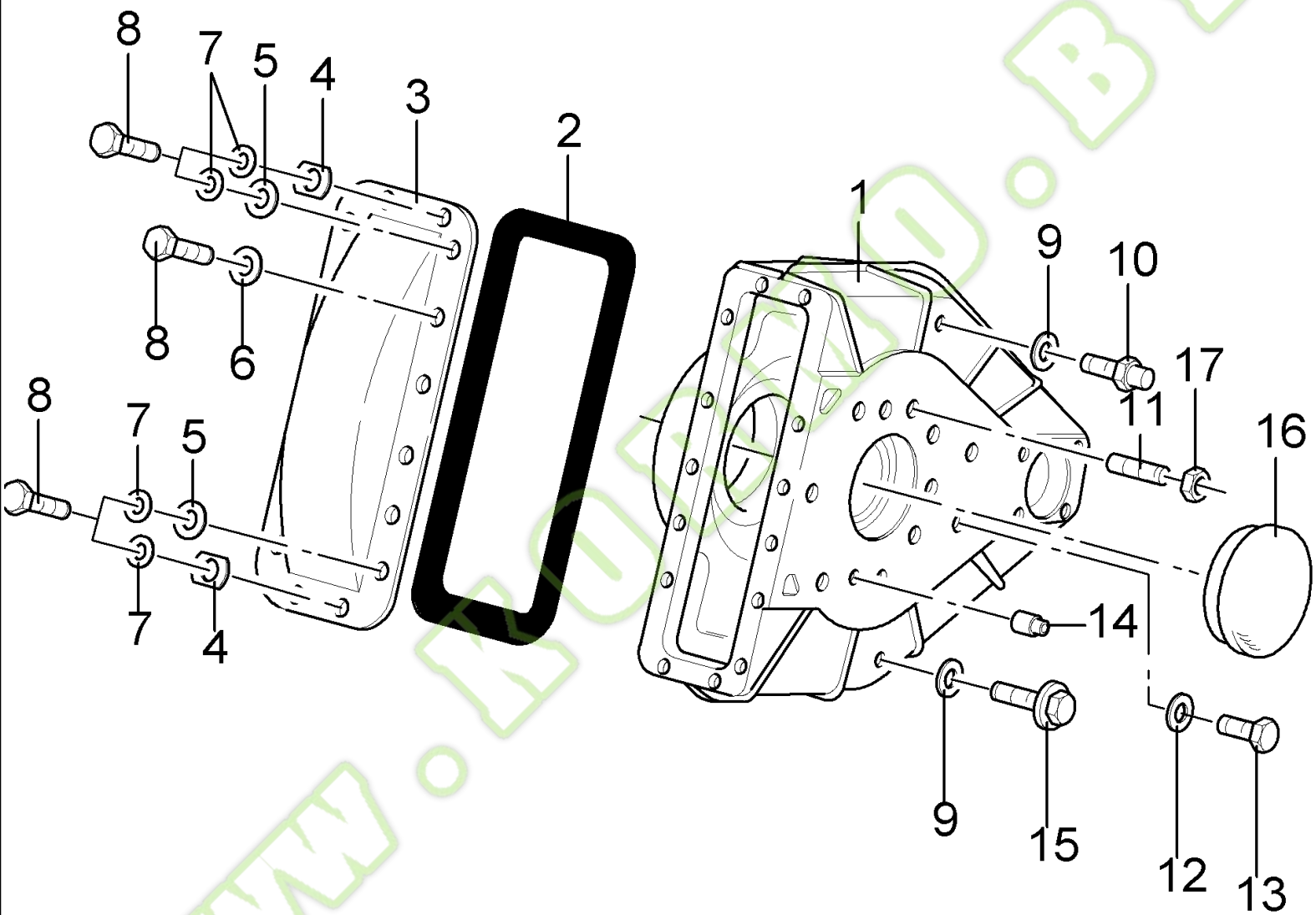
## 09.21B(01) EXTENSION KIT

Ref	Part Number	Qty	Description
1	84036433	1	SHAFT, CONTROL, LH
1	9512564	1	SHAFT, CONTROL, {PP:89512564} RH
2	84035526	2	EXTENSION,
3	9838201	4	PIN, {PP:89838201}
4	80374890	14	SCREW, M20X60
5	322359	14	WASHER, LOCK, {PP:80322359} Belleville, M20, 20MM
7	84035318	2	BUSHING,
8	84045622	2	STUD,
9	100085	2	NUT, {PP:80100085} M20 x 1.5, CI 8, M20
6	100023	14	NUT, {PP:80100023} M20, CI 8, M20

WWW.KORMO.BY

ONLY VALID FROM SERIAL NO. --5033001

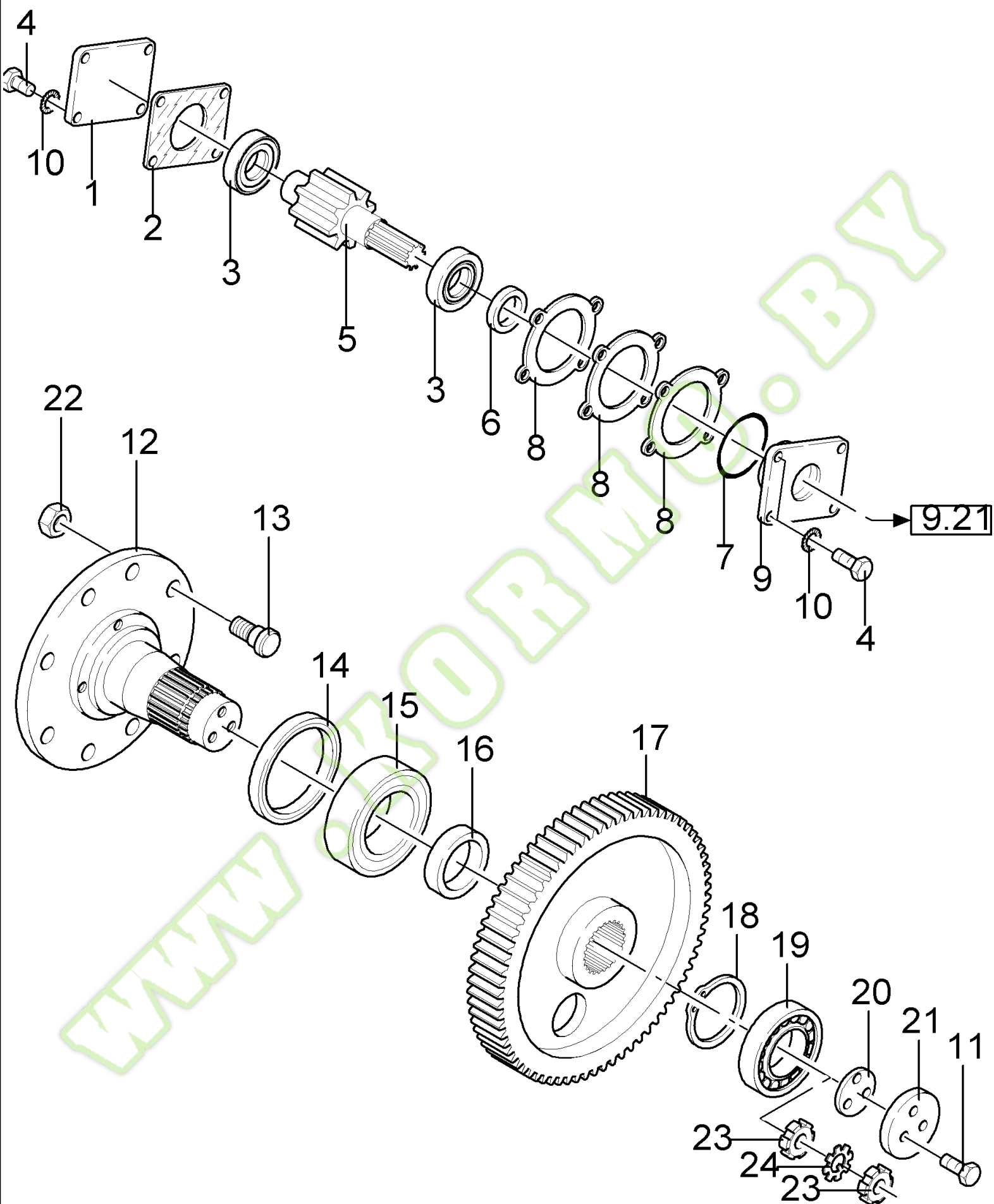




## FX375 NH SELF PROPELLED FORAGE HARVESTER - YELLOW VERSION

09.22(01) END REDUCTION 10/75

Ref	Part Number	Qty	Description
1	9502658	2	HOUSING, {PP:89502658} , -C0408
1	84019913	2	HOUSING, , -C0932
1	84019913	2	HOUSING, , FOR FX300 ONLY, D3300-
1	9509280	2	HOUSING, FINAL DRIVE, {PP:89509280} , FOR FX375-450 ONLY, D3300-
2	445497	2	GASKET, {PP:80445497}
3	748076	2	COVER, {PP:80748076}
4	743794	8	WASHER, {PP:80743794}
5	140042	8	WASHER, LOCK, {PP:80140042} M10 x 34 x 3,
6	394629	16	WASHER, LOCK, {PP:80394629} 10MM
7	140045	28	WASHER, LOCK, {PP:80140045} Belleville, M10, 10MM
9	220025	4	GASKET, {PP:80220025}
10	386287	2	BREATHER, {PP:80386287}
11	84000287	14	STUD, , -C0432
11	9512573	16	SCREW, {PP:89512573} Hex, M20 x 40, 10.9, M20X40, D3300-
12	722441	4	GASKET,
13	412413	4	PLUG, {PP:80412413}
14	918737	4	PIN, {PP:80918737}
15	336897	2	PLUG, {PP:80336897}
16	383230	2	COVER, {PP:80383230} , -C0408
16	9833630	2	COVER, {PP:89833630} , D0900-
17	9706694	14	NUT, {PP:89706694} M20, CI 8, M20, -C0432
8	120109	32	SCREW, {PP:80120109} Hex, M10 x 20, 8.8, Full Thd, M10X20

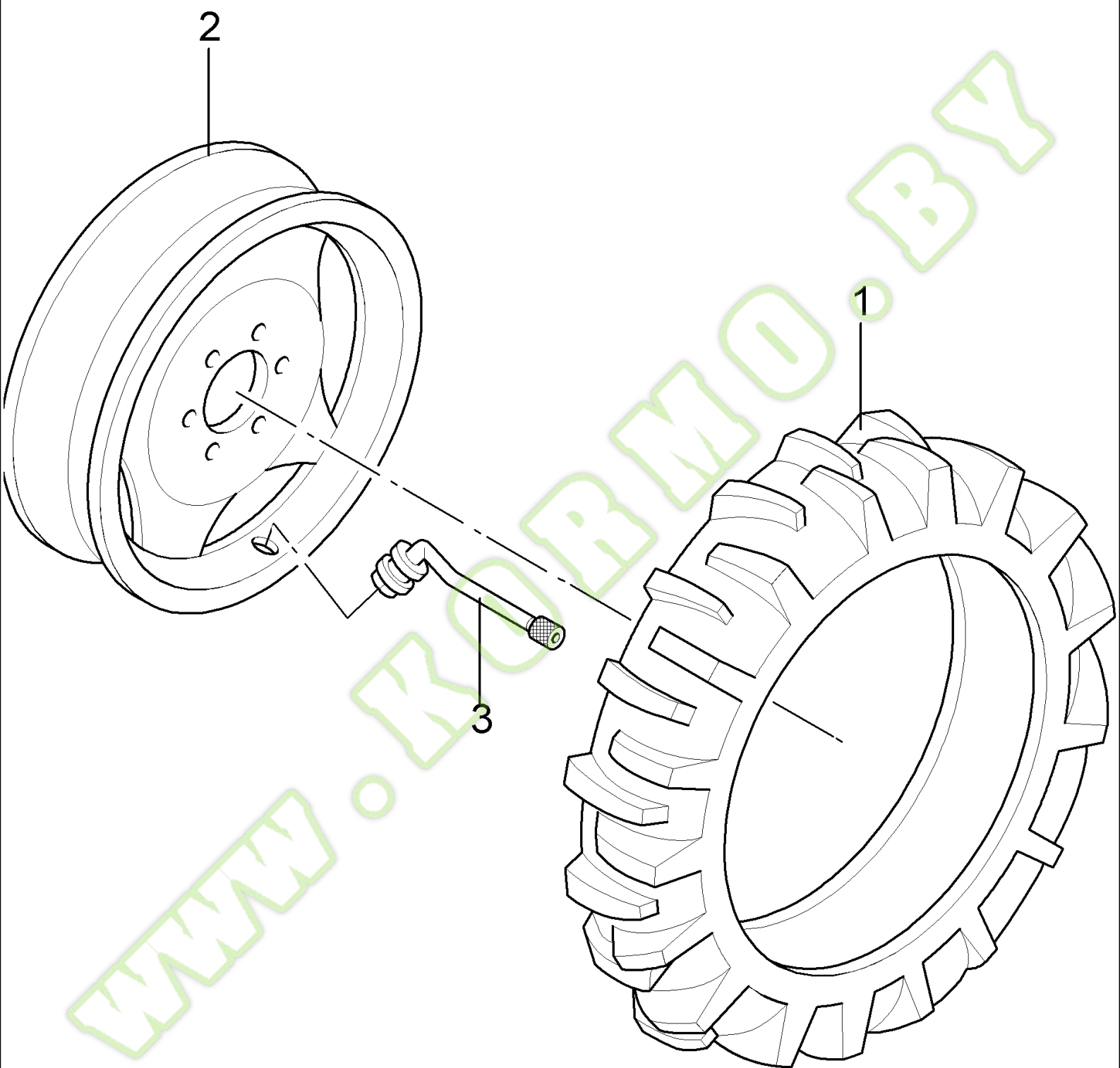




## FX375 NH SELF PROPELLED FORAGE HARVESTER - YELLOW VERSION

09.23(01) END REDUCTION 10/75

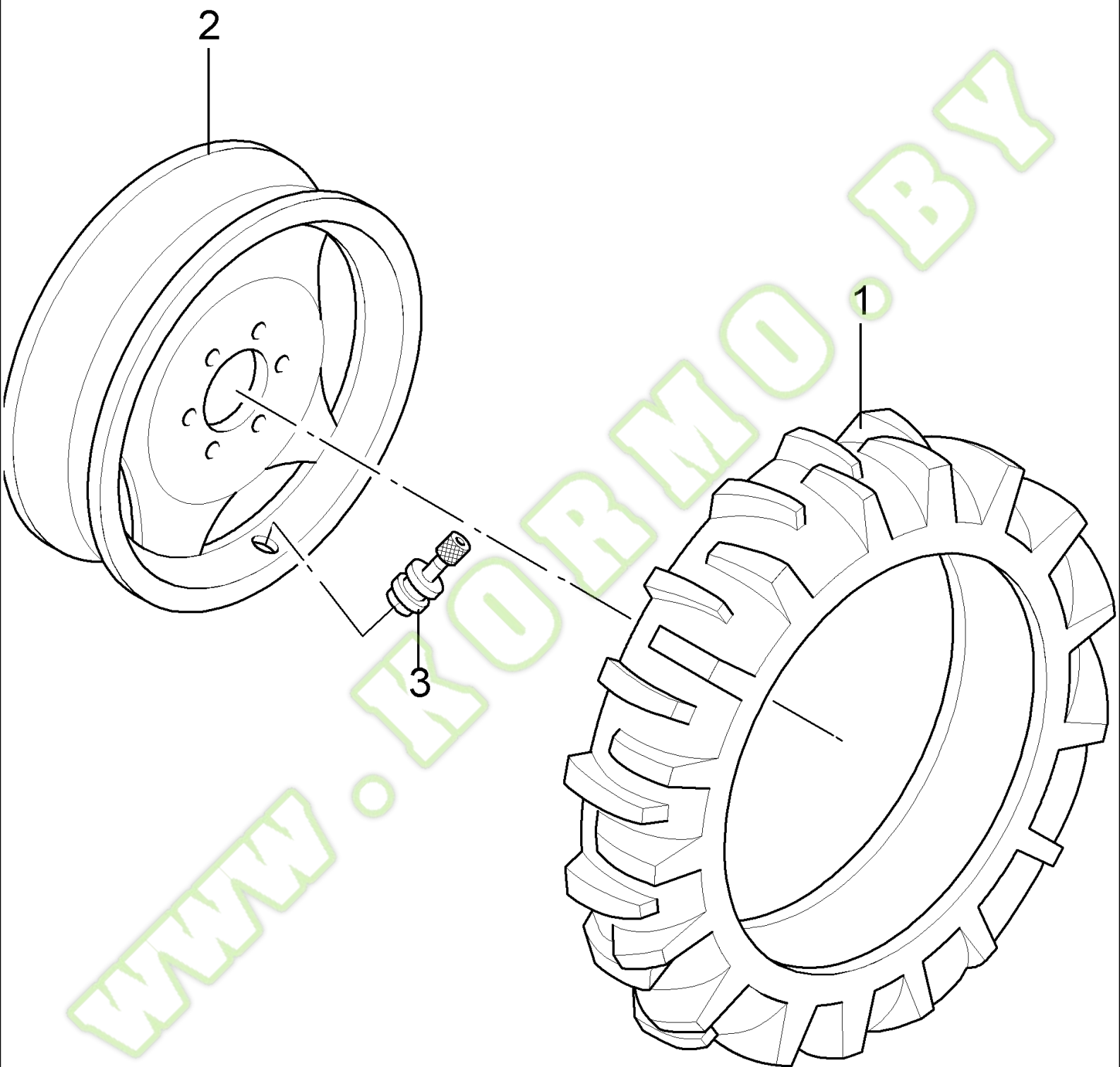
Ref	Part Number	Qty	Description
1	410918	2	FLANGE, {PP:80410918}, -C0408
2	410920	2	GASKET, {PP:80410920}, -C0408
3	384888	4	BEARING ASSY, {PP:80384888}, -C0408
3	9832269	4	BEARING ASSY, {PP:89832269}, D0900-
5	440999	2	SHAFT, {PP:80440999}, -C0408
5	9832292	2	SHAFT, {PP:89832292}, D0900-
6	381860	2	SEAL, {PP:80381860}
7	381895	2	O-RING, {PP:80381895}
8	382948	AR	SHIM, {PP:80382948} 0.05MM
8	382949	AR	SHIM, {PP:80382949} 0.2MM
8	382950	AR	SHIM, {PP:80382950} 0.5MM
9	410919	2	FLANGE, {PP:80410919}, -C0408
9	9833631	2	FLANGE, {PP:89833631}, D0900-
10	140045	12	WASHER, LOCK, {PP:80140045} Belleville, M10, 10MM
11	398885	6	SCREW, {PP:80398885} M16X35
12	9510170	2	FLANGE, {PP:89510170}, -C0432
12	9510170	2	FLANGE, {PP:89510170}, FOR FX300 ONLY, D3300-
12	9818675	2	FLANGE, {PP:89818675}, FOR FX375-450 ONLY, D3300-
13	330291	16	BOLT, {PP:80330291}
14	381856	2	SEAL, {PP:80381856}, -C0432
14	381856	2	SEAL, {PP:80381856}, FOR FX300 ONLY, D3300-
14	9832264	2	RING, {PP:89832264}, FOR FX375-450 ONLY, D3300-
15	384142	2	BEARING ASSY, {PP:80384142}, -C0432
15	384142	2	BEARING ASSY, {PP:80384142}, FOR FX300 ONLY, D3300-
15	9832271	2	BEARING ASSY, {PP:89832271}, FOR FX375-450 ONLY, D3300-
16	922092	2	SPACER, {PP:80922092}, -C0432
16	922092	2	SPACER, {PP:80922092}, FOR FX300 ONLY, D3300-
16	9832274	2	BUSHING, {PP:89832274}, FOR FX375-450 ONLY, D3300-
17	9502657	2	GEAR, {PP:89502657}
18	300639	2	RING, SNAP, {PP:80300639}
19	384141	2	BEARING ASSY, {PP:80384141}, -C0408
19	9832270	2	BEARING ASSY, {PP:89832270}, D0900-
20	395391	AR	SHIM, {PP:80395391} 0.05MM, -C0432
20	395391	AR	SHIM, {PP:80395391} 0.05MM, FOR FX300 ONLY, D3300-
20	395392	AR	SHIM, {PP:80395392} 0.2MM, -C0432
20	395392	AR	SHIM, {PP:80395392} 0.2MM, FOR FX300 ONLY, D3300-
20	395393	AR	SHIM, {PP:80395393} 0.5MM, -C0432
20	395393	AR	SHIM, {PP:80395393} 0.5MM, FOR FX300 ONLY, D3300-
21	382503	2	FLANGE, {PP:80382503}, -C0432
21	382503	2	FLANGE, {PP:80382503}, FOR FX300 ONLY, D3300-
22	748961	16	NUT, {PP:80748961} M22X1.5, -C0432
22	748961	16	NUT, {PP:80748961} M22X1.5, FOR FX300 ONLY, D3300-
23	9811129	4	NUT, {PP:89811129}, FOR FX375-450 ONLY, D3300-
24	9838325	2	PLATE, {PP:89838325}, FOR FX375-450 ONLY, D3300-
4	43140	12	BOLT, {PP:80043140} Hex, M10 x 30, 8.8, M10X30



## FX375 NH SELF PROPELLED FORAGE HARVESTER - YELLOW VERSION

## 09.24(01) TRACTION WHEELS

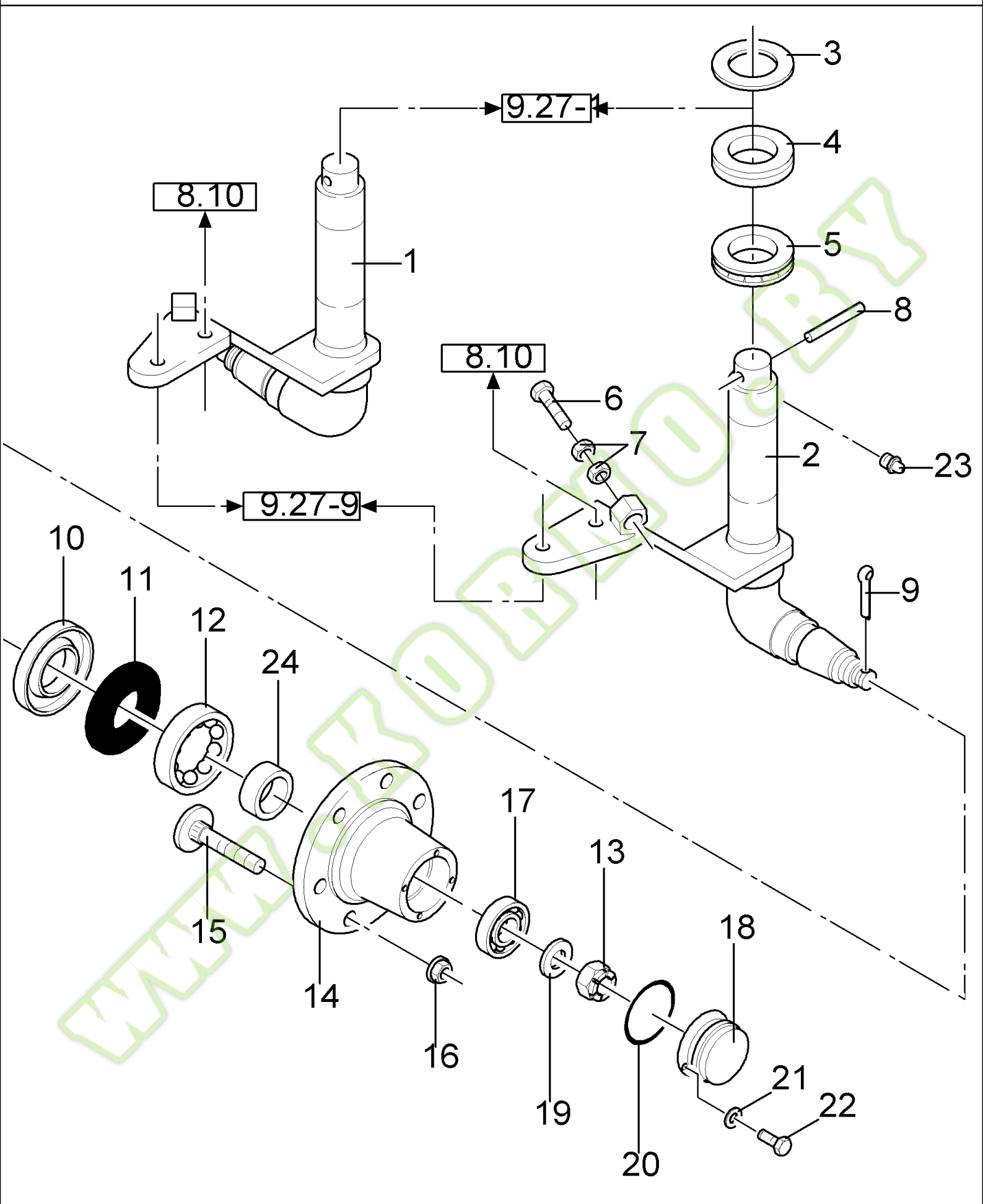
Ref	Part Number	Qty	Description
1	9515492	2	TYRE/TIRE, {PP:89515492}, 24.5RX32 - 167A8 - STR (90) TUBELESS
1	89832524	2	TYRE/TIRE, , 28LX26 - 12PR-R-1 (57) TUBELESS
1	84032268	2	TYRE/TIRE, , 28LRX26 - 157A8 - STR (57) TUBELESS
1	9515498	2	TYRE/TIRE, {PP:89515498}, 30.5LRX32 - 167A8 - STR (100) TUBELESS
1	9818259	2	TYRE/TIRE, {PP:89818259}, 23.1RX30 - 162 STR (37) TUBELESS
1	84032268	2	TYRE/TIRE, , 28LRX26 - 165A8 - STR-R-1
1	84036000	2	TYRE/TIRE, , 73X44.00 - 32 - 12PR(0)
1	9515492	2	TYRE/TIRE, {PP:89515492}, 650/75R32 - 167A8 - DT820-R-1
2	84021071	2	RIM, , 24.5RX32 - 167A8 - STR (90) TUBELESS, FOR FX300-375-450 ONLY
2	85002774	2	WHEEL, , 24.5RX32 - 167A8 - STR (90) TUBELESS, FOR 9630-9640-9645 ONLY
2	748955	2	RIM, {PP:80748955}, 28LX26 - 12PR-R-1 (57) TUBELESS, FOR FX300-375-450 ONLY
2	85000031	2	WHEEL, , 28LX26 - 12PR-R-1 (57) TUBELESS, FOR 9630-9640-9645 ONLY
2	748955	2	RIM, {PP:80748955}, 28LRX26 - 157A8 - STR (57) TUBELESS, FOR FX300-375-450 ONLY
2	85000031	2	WHEEL, , 28LRX26 - 157A8 - STR (57) TUBELESS, FOR 9630-9640-9645 ONLY
2	748951	2	RIM, {PP:80748951}, 30.5LRX32 - 167A8 - STR (100) TUBELESS, FOR FX300-375-450 ONLY
2	85003398	2	DISC, WHEEL, , 30.5LRX32 - 167A8 - STR (100) TUBELESS, FOR 9630-9640-9645 ONLY
2	9515552	2	WHEEL, {PP:89515552}, 23.1RX30 - 162 STR (37) TUBELESS, FOR FX300-375-450 ONLY
2	85001088	2	DISC, WHEEL, , 23.1RX30 - 162 STR (37) TUBELESS, FOR 9630-9640-9645 ONLY
2	748955	2	RIM, {PP:80748955}, 28LRX26 - 165A8 - STR-R-1, FOR FX300-375-450 ONLY
2	85000031	2	WHEEL, , 28LRX26 - 165A8 - STR-R-1, FOR 9630-9640-9645 ONLY
2	84036055	2	RIM, 36X32, 73X44.00 - 32 - 12PR(0)
2	9515553	2	RIM, {PP:89515553}, 650/75R32 - 167A8 - DT820-R-1
3	397236	2	VALVE, PNEUMATIC, {PP:80397236}



## FX375 NH SELF PROPELLED FORAGE HARVESTER - YELLOW VERSION

## 09.25(01) STEERING WHEELS

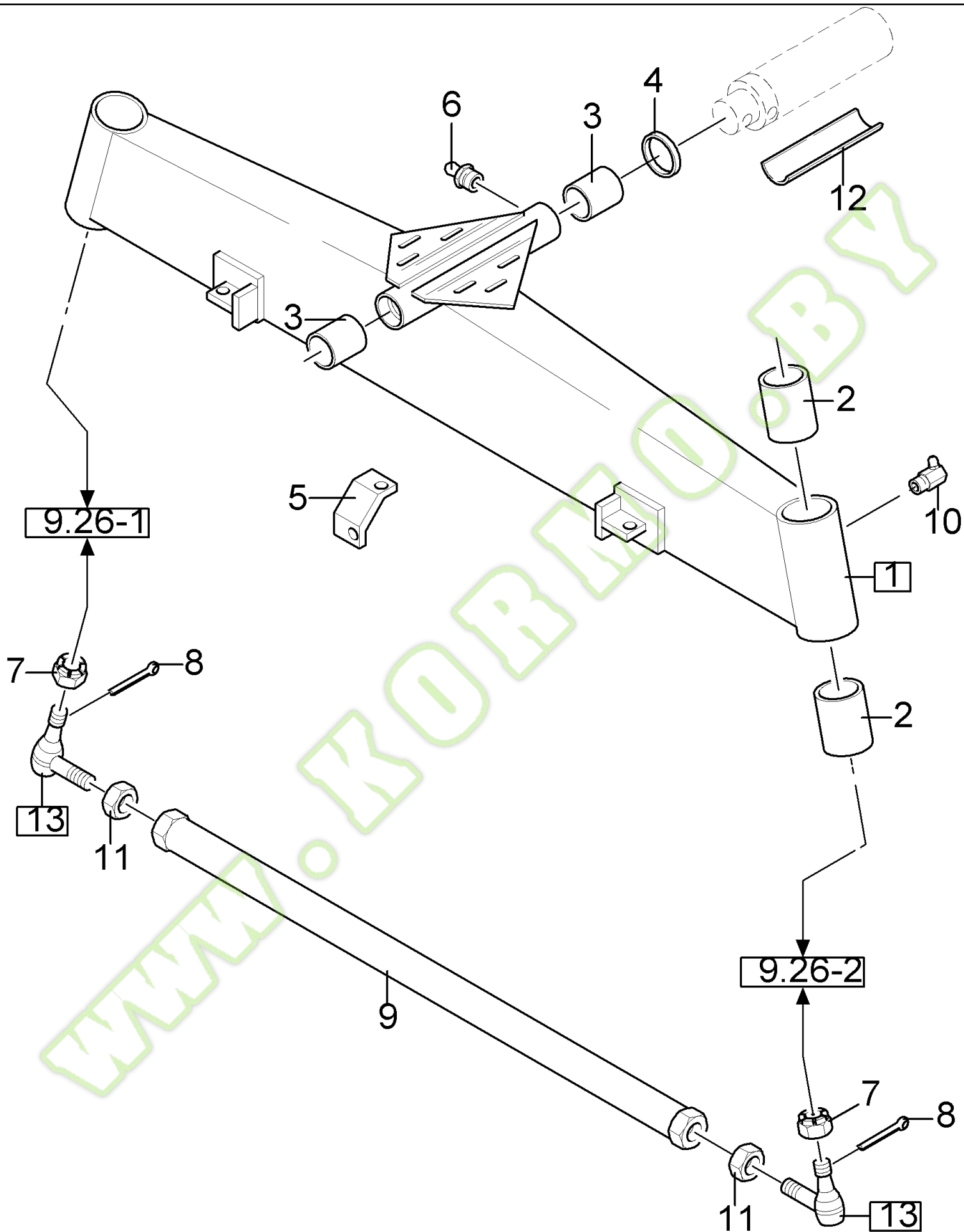
Ref	Part Number	Qty	Description
1	445960	2	TYRE/TIRE, {PP:80445960}, 16.0X70X20 - 10PR - I3 STEERING AXLE ONLY WITH FIXED
1	84014350	2	TYRE/TIRE, , 16.9X24R - 134A8 - STR ONLY WITH POWERED STEERING AXLE
1	9514625	2	TYRE/TIRE, {PP:89514625}, 17.5LRX24 - 150A8 - STR ONLY WITH POWERED STEERING AXLE
1	9514625	2	TYRE/TIRE, {PP:89514625}, 17.5LRX24 - 150A8 - STR ONLY WITH FIXED STEERING AXLE
1	84022908	2	TYRE/TIRE, , 800/65 R 32-172A8
2	9835881	2	RIM, {PP:89835881}, 16.0X70X20 - 10PR - I3 ONLY WITH FIXED STEERING AXLE, FOR FX300-375-450 ONLY
2	85000681	2	DISC, WHEEL, , 16.0X70X20 - 10PR - I3 ONLY WITH FIXED STEERING AXLE, FOR 9630-9640-9645 ONLY
2	84000120	2	RIM, , 16.9X24R - 134A8 - STR ONLY WITH POWERED STEERING AXLE, FOR FX300-375-450 ONLY
2	85002886	2	RIM, , 16.9X24R - 134A8 - STR ONLY WITH POWERED STEERING AXLE, FOR 9630-9640-9645 ONLY
2	84000120	2	RIM, , 17.5LRX24 - 150A8 - STR ONLY WITH POWERED STEERING AXLE, FOR FX300-375-450 ONLY
2	85002886	2	RIM, , 17.5LRX24 - 150A8 - STR ONLY WITH POWERED STEERING AXLE, FOR 9630-9640-9645 ONLY
2	84014987	2	RIM, , 17.5LRX24 - 150A8 - STR ONLY WITH FIXED STEERING AXLE, FOR FX300-375-450 ONLY
2	85003185	2	RIM, , 17.5LRX24 - 150A8 - STR ONLY WITH FIXED STEERING AXLE, FOR 9630-9640-9645 ONLY
2	84023739	2	RIM, , 800/65 R 32-172A8
3	395448	2	VALVE, PNEUMATIC, {PP:80395448}
3	397236	2	VALVE, PNEUMATIC, {PP:80397236}, 800/65 R 32-172A8



## FX375 NH SELF PROPELLED FORAGE HARVESTER - YELLOW VERSION

## 09.26(01) FIXED STEERING AXLE

Ref	Part Number	Qty	Description
1	84002589	1	SPINDLE, RH
2	84002592	1	SPINDLE, LH
3	443076	2	WASHER, LOCK, {PP:80443076}
4	357732	2	BEARING, ROLLER CAGE, {PP:80357732}
5	301202	2	BEARING ASSY, {PP:80301202}
6	120122	2	SCREW, {PP:80120122} Hex, M12 x 50, 8.8, Full Thd, M12X50
7	337475	4	NUT, {PP:80337475} M12, CI 10, M12
8	62218	2	PIN, {PP:80062218} M10 x 75, Slotted,
9	130011	2	PIN, SPLIT (COTTER), {PP:80130011} M5 x 40,
10	357733	2	CAP, FLANGE COVER, {PP:80357733}
11	357240	2	ELEMENT, SEALING, {PP:80357240}
12	199955	2	BEARING, CUP, {PP:80199955}
13	309090	2	NUT, {PP:80309090} M24 x 1.5, CI 8, M24X1.5
14	9818542	2	HUB, {PP:89818542}
15	9835360	12	BOLT, {PP:89835360}
16	9817961	12	NUT, {PP:89817961} M14X1.5
17	9817852	2	BEARING ASSY, {PP:89817852}
18	445397	2	COVER, {PP:80445397}
19	378248	2	WASHER, {PP:80378248}
20	743583	2	ELEMENT, SEALING, {PP:80743583}
21	322357	8	WASHER, LOCK, {PP:80322357} Belleville, M6, Belleville, M6
22	80120099	8	SCREW, Hex, M6 x 16, 8.8, M6X16
23	323713	4	NIPPLE, LUBE, {PP:80323713}
24	199954	2	BEARING, CONE, {PP:80199954}



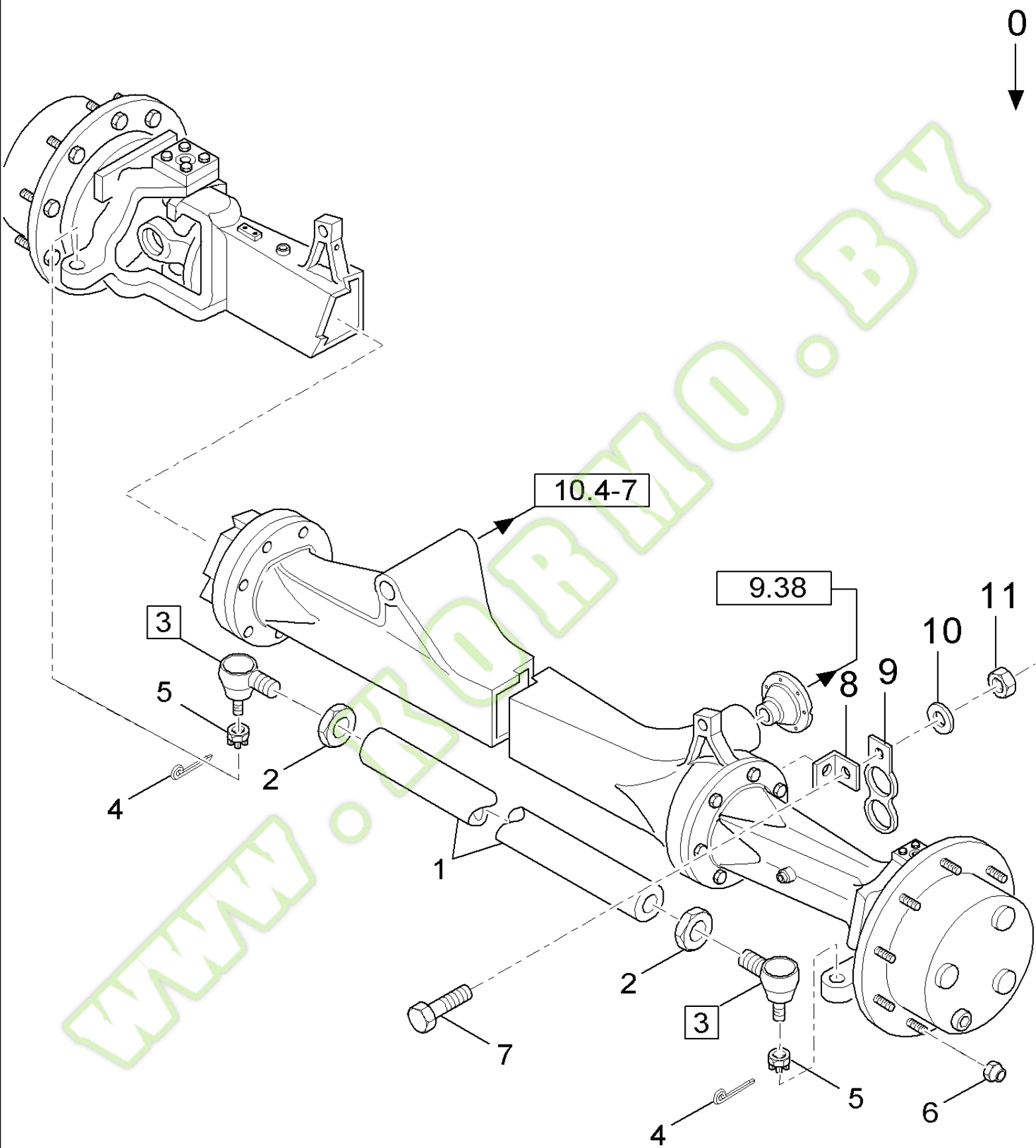


## FX375 NH SELF PROPELLED FORAGE HARVESTER - YELLOW VERSION

## 09.27(01) FIXED STEERING AXLE

Ref	Part Number	Qty	Description
1	89812866	1	AXLE, FRONT, (2 TO 3)
2	445369	4	SLEEVE, {PP:80445369}
3	357500	2	SLEEVE, {PP:80357500}
4	84005527	AR	WASHER,
5	9593231	4	PLATE, COVER, {PP:89593231}
6	321204	1	NIPPLE, LUBE, {PP:80321204}
7	412103	2	NUT, {PP:80412103} M18X1.5
8	300595	2	PIN, SPLIT (COTTER), {PP:80300595} M4 x 40,
9	84002560	1	ROD,
10	323713	4	NIPPLE, LUBE, {PP:80323713}
11	331209	2	NUT, {PP:80331209} 13/16"-16, G2, 13/16"
12	84032751	1	PLATE,
13	9817315	2	BALL JOINT, {PP:89817315} (7,8)

WWW.KORMO.BY

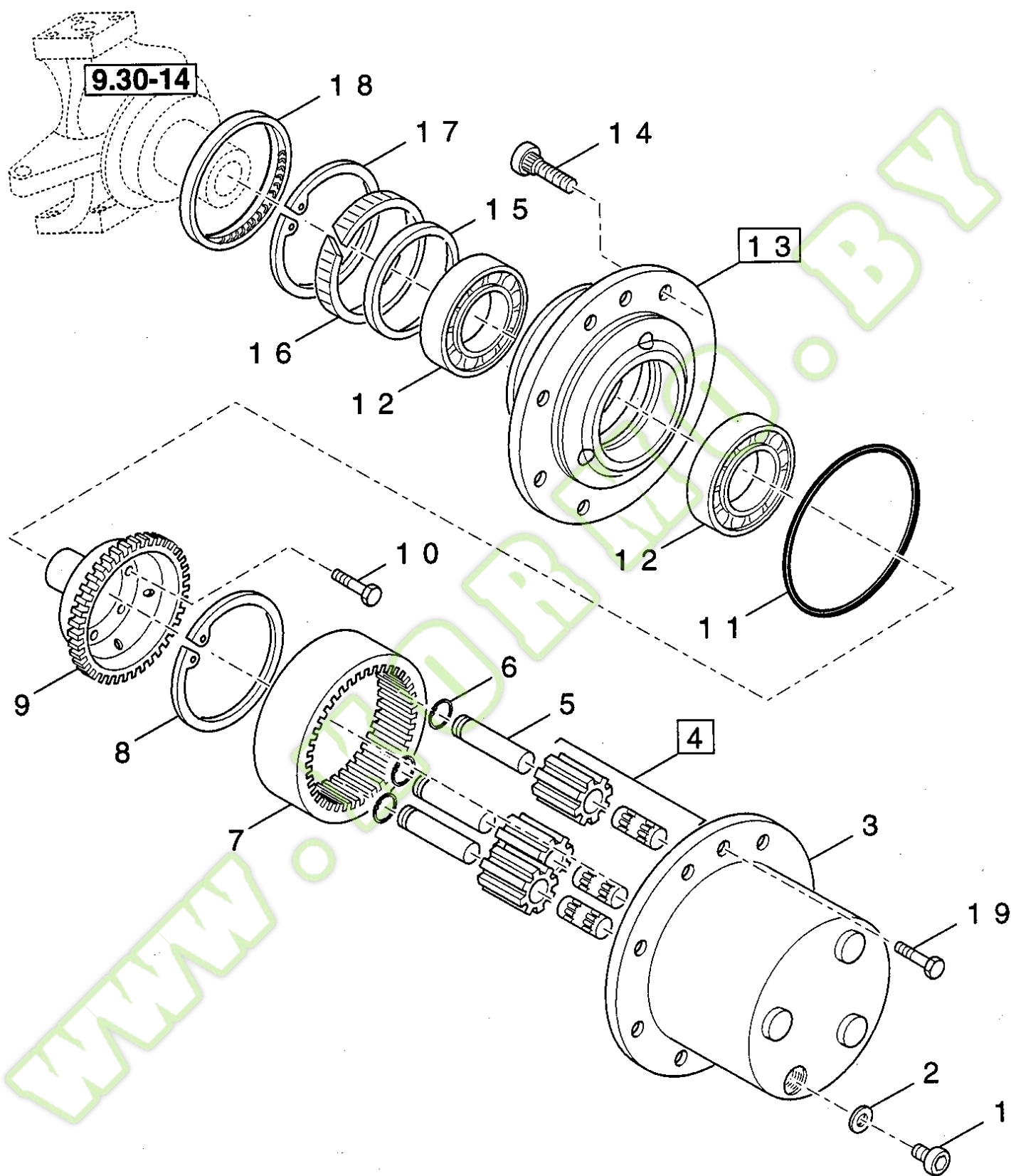


## FX375 NH SELF PROPELLED FORAGE HARVESTER - YELLOW VERSION

## 09.28(01) MECHANICAL 4-WHEEL DRIVE: AXLE

Ref	Part Number	Qty	Description
0	84004882	1	AXLE, REAR, , INCL. GROUPS 9.28 (1 TO 6) TO 9.34
1	84021765	1	ROD,
2	300852	2	NUT, {PP:80300852} M30 x 1.5, CI 8, M30X1.5
3	84021766	2	BALL JOINT, (4,5)
4	300595	4	PIN, SPLIT (COTTER), {PP:80300595} M4 x 40, D=4X36
5	412144	4	SLOTTED NUT, {PP:80412144} M20 x 1.5, CI 8, M20X1.5
6	748960	16	NUT, {PP:80748960} M18X1.5
7	80120104	1	SCREW, M8X20
8	84036665	1	SUPPORT,
9	711051	1	CLAMP, {PP:80711051}
10	322358	1	WASHER, LOCK, {PP:80322358} Belleville, M8,
11	100015	1	NUT, {PP:80100015} M8, CI 8, M8

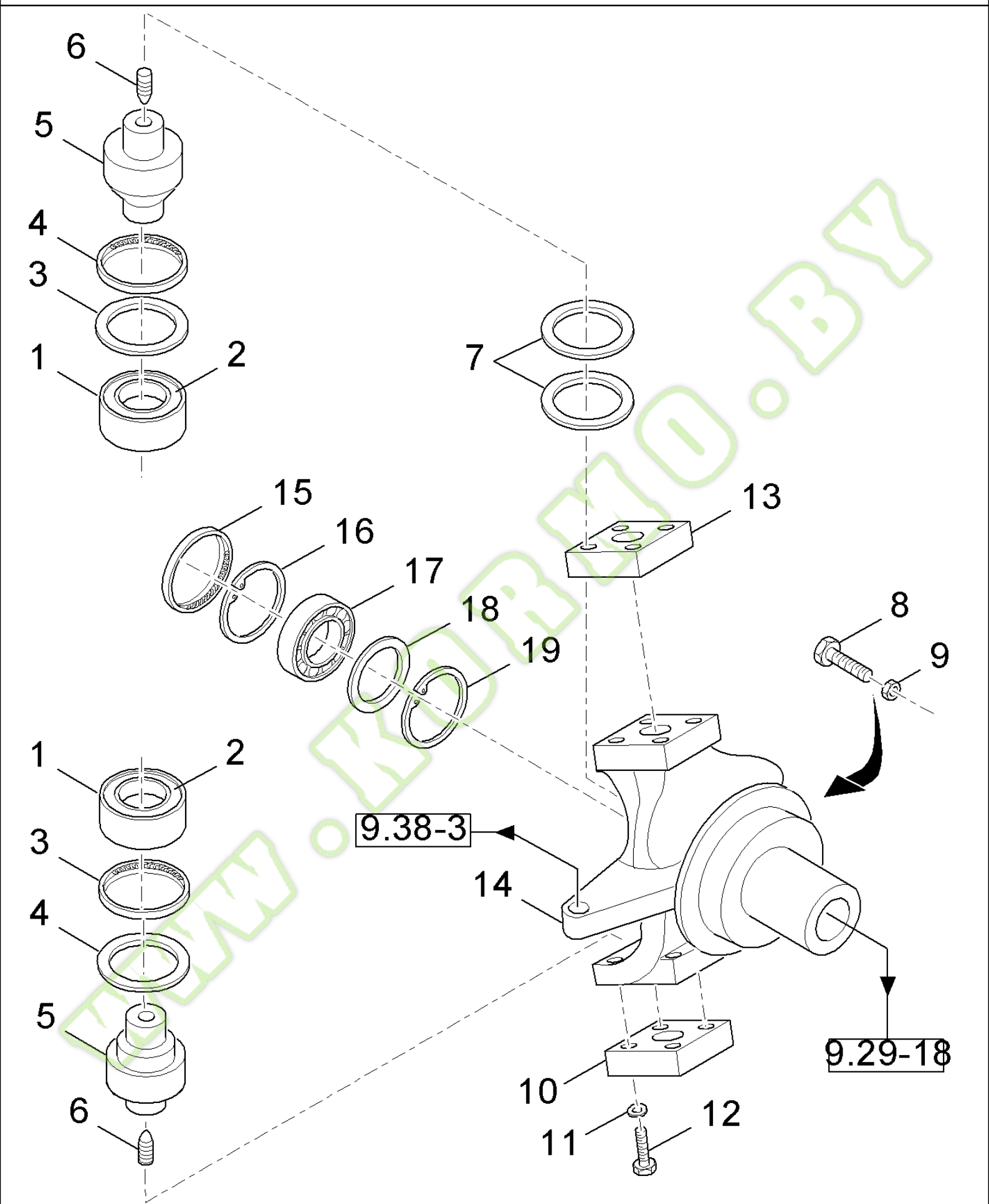
WWW.KORMO.BY



## FX375 NH SELF PROPELLED FORAGE HARVESTER - YELLOW VERSION

## 09.29(01) MECHANICAL 4-WHEEL DRIVE: AXLE

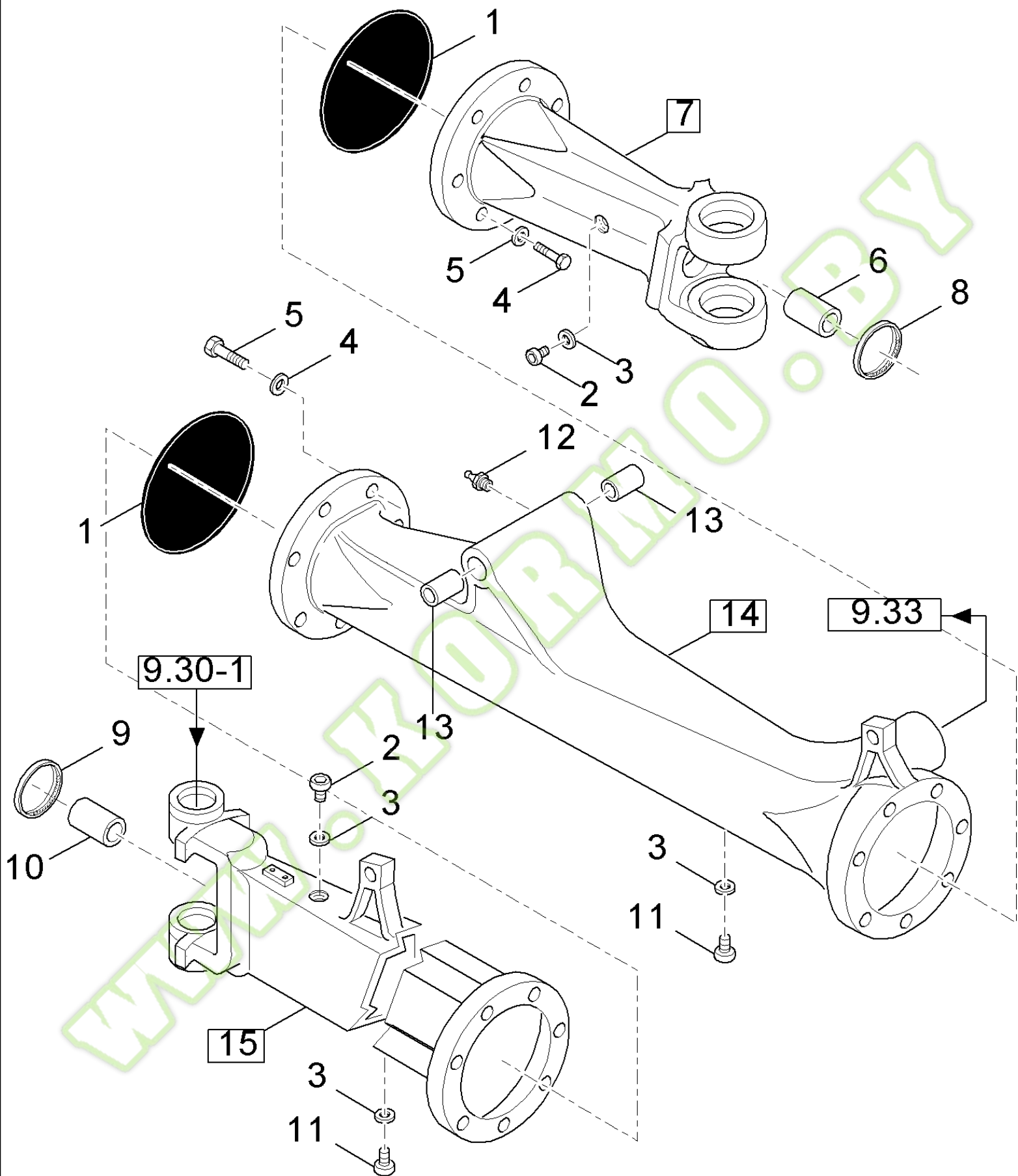
Ref	Part Number	Qty	Description
1	84021767	1	PLUG,
2	84021768	1	RING,
3	84021769	1	HUB,
4	84021770	3	GEAR SET,
5	84021771	3	PIN,
6	84021772	3	CIRCLIP,
7	84021773	1	GEAR,
8	84021774	1	CIRCLIP,
9	84021775	1	GEAR,
10	84045865	12	SCREW, M10X35
11	84021776	1	O-RING,
12	84021777	2	BEARING ASSY,
13	84021778	1	HUB, (14), -C0412
13	84053095	1	HUB, (14), D1300-
14	84021779	8	BOLT,
15	84021780	1	RING, , -C0412
16	84021781	1	ELEMENT, SEALING, , -C0412
16	84053072	1	GASKET, , D1300-
17	84021782	1	ELEMENT, SEALING, , -C0412
18	84021783	1	COVER, , -C0412
18	84053096	1	COVER, , D1300-
19	300441	2	SCREW, {PP:80300441} M10X20



## FX375 NH SELF PROPELLED FORAGE HARVESTER - YELLOW VERSION

## 09.30(01) MECHANICAL 4-WHEEL DRIVE: AXLE

Ref	Part Number	Qty	Description
1	84021785	2	CUP,
2	84021784	2	BEARING, CONE,
3	84021786	2	RING,
4	84021787	2	RING,
5	84021788	2	SPINDLE,
6	300480	4	SCREW, {PP:80300480} Hex Soc, M10 x 12, Cup Pt, M10X12
7	84021789	AR	PLATE, ADJUSTING, THK.:0.5
7	84021790	AR	PLATE, ADJUSTING, THK.:0.2
8	120090	1	SCREW, {PP:80120090} Hex, M16 x 50, 8.8, Hex, M16 x 50, 8.8
9	331192	1	NUT, {PP:80331192} M16 x 1.5, CI 8, M16X1.5
10	84021791	1	PLATE, COVER,
11	140046	8	WASHER, LOCK, {PP:80140046} Belleville, M12, 12MM, -C0412
12	80337563	8	SCREW, M12X40
13	84021792	1	PLATE, COVER,
14	84021793	1	SUPPORT, LH, -C0412
14	84021794	1	SUPPORT, RH, -C0412
14	84053090	1	HOUSING, RH, D1300-
14	84053097	1	HOUSING, LH, D1300-
15	84021795	1	RING,
16	80300633	1	RING, SNAP, (80X2.5)
17	84021796	1	BEARING ASSY,
18	84021797	1	PLATE, ADJUSTING,
19	370008	1	CIRCLIP, {PP:80370008} (50X2)

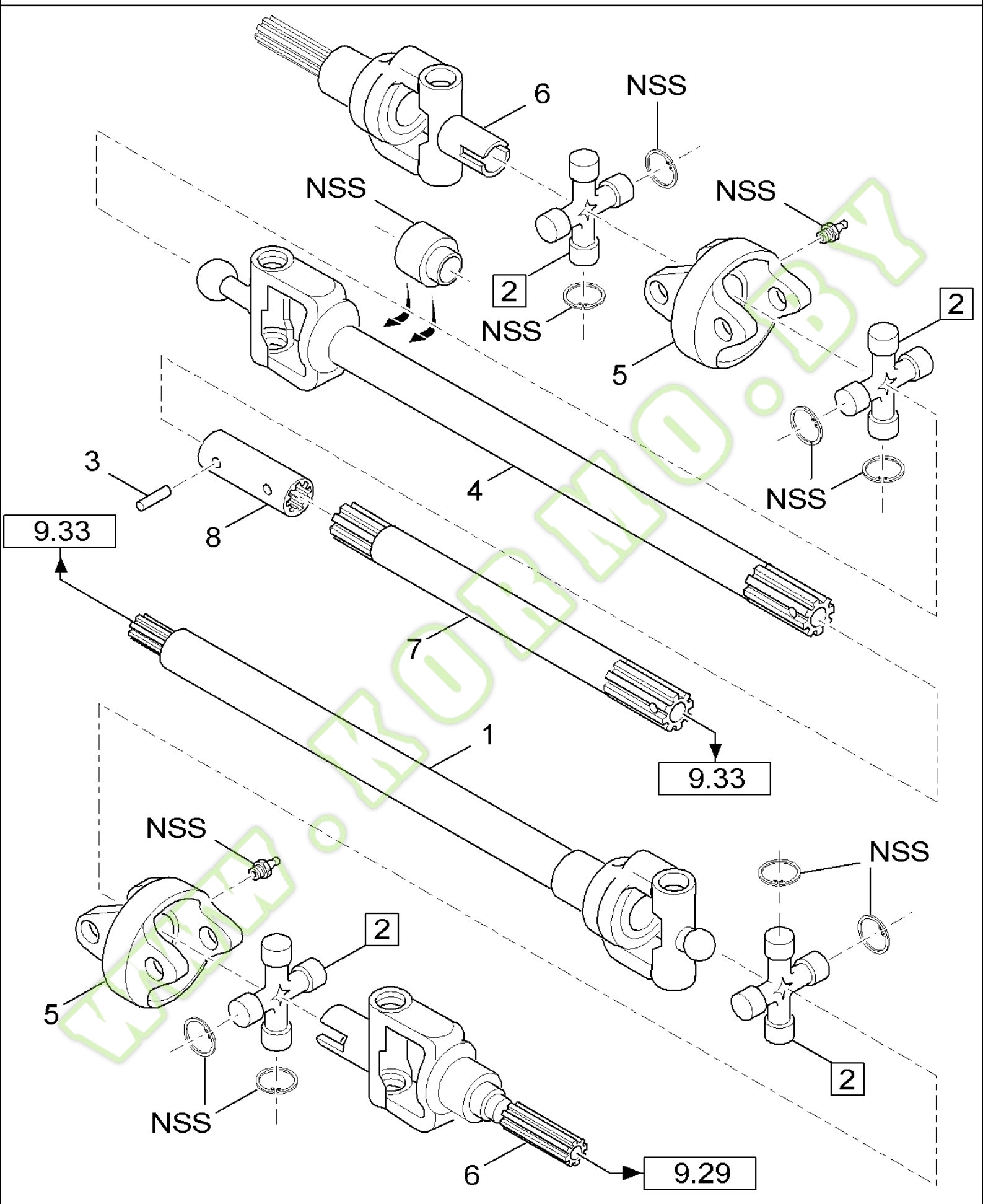




## FX375 NH SELF PROPELLED FORAGE HARVESTER - YELLOW VERSION

## 09.31(01) MECHANICAL 4-WHEEL DRIVE: AXLE

Ref	Part Number	Qty	Description
1	84021776	2	O-RING,
2	84021799	2	PLUG,
3	84021768	4	RING,
4	86523012	22	BOLT, Hex, M14 x 60, 8.8, Hex, M14 x 60, 8.8
5	140047	22	WASHER, LOCK, {PP:80140047} 14MM
6	84021801	1	BUSHING,
7	84021802	1	HOUSING, BEARING, (1,2,3,6)
8	84021803	1	RING,
9	84021795	1	RING,
10	84021805	1	BUSHING,
11	84021767	2	PLUG,
12	332038	1	NIPPLE, LUBE, {PP:80332038}
13	84021807	2	BEARING, CAMSHAFT, , -C0412
13	84053094	2	BUSHING, , D1300-
14	84021808	1	AXLE, REAR, (2,3,10 TO 13), -C0412
14	84053091	1	AXLE, REAR, (10 TO 13), D1300-
15	84053092	1	AXLE, REAR, (2,3,11), D1300-

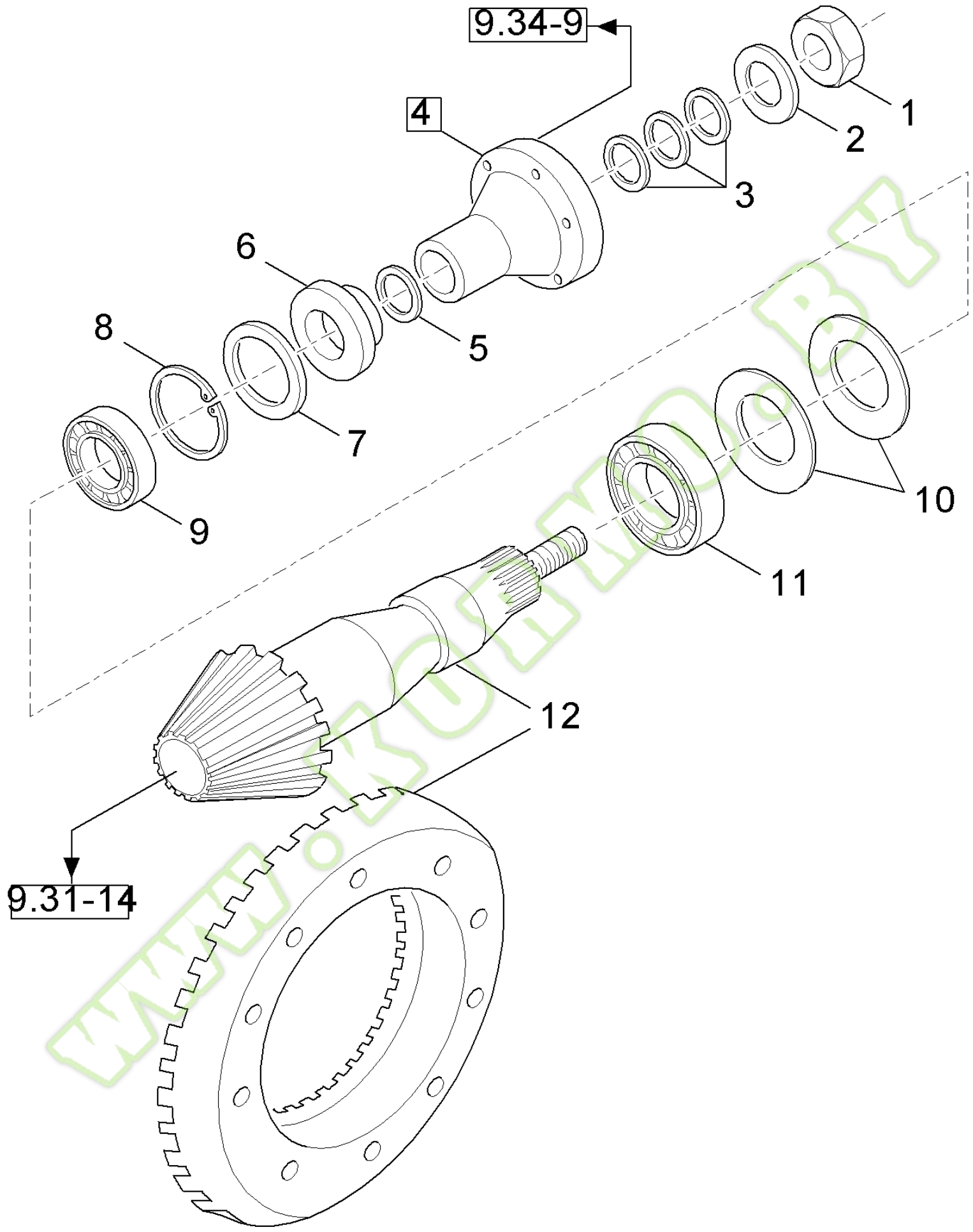


## FX375 NH SELF PROPELLED FORAGE HARVESTER - YELLOW VERSION

## 09.32(01) MECHANICAL 4-WHEEL DRIVE: AXLE

Ref	Part Number	Qty	Description
1	84021809	1	SHAFT, CONTROL,
2	84021810	4	SPIDER,
3	86977791	2	PIN, ROLL, M8 x 45, Slotted,
4	84053098	1	SHAFT, CONTROL,
5	84021811	1	YOKE,
6	84021812	1	SHAFT, CONTROL,
7	84021813	1	SHAFT, CONTROL,
8	84021814	1	CONNECTOR, HYD.,

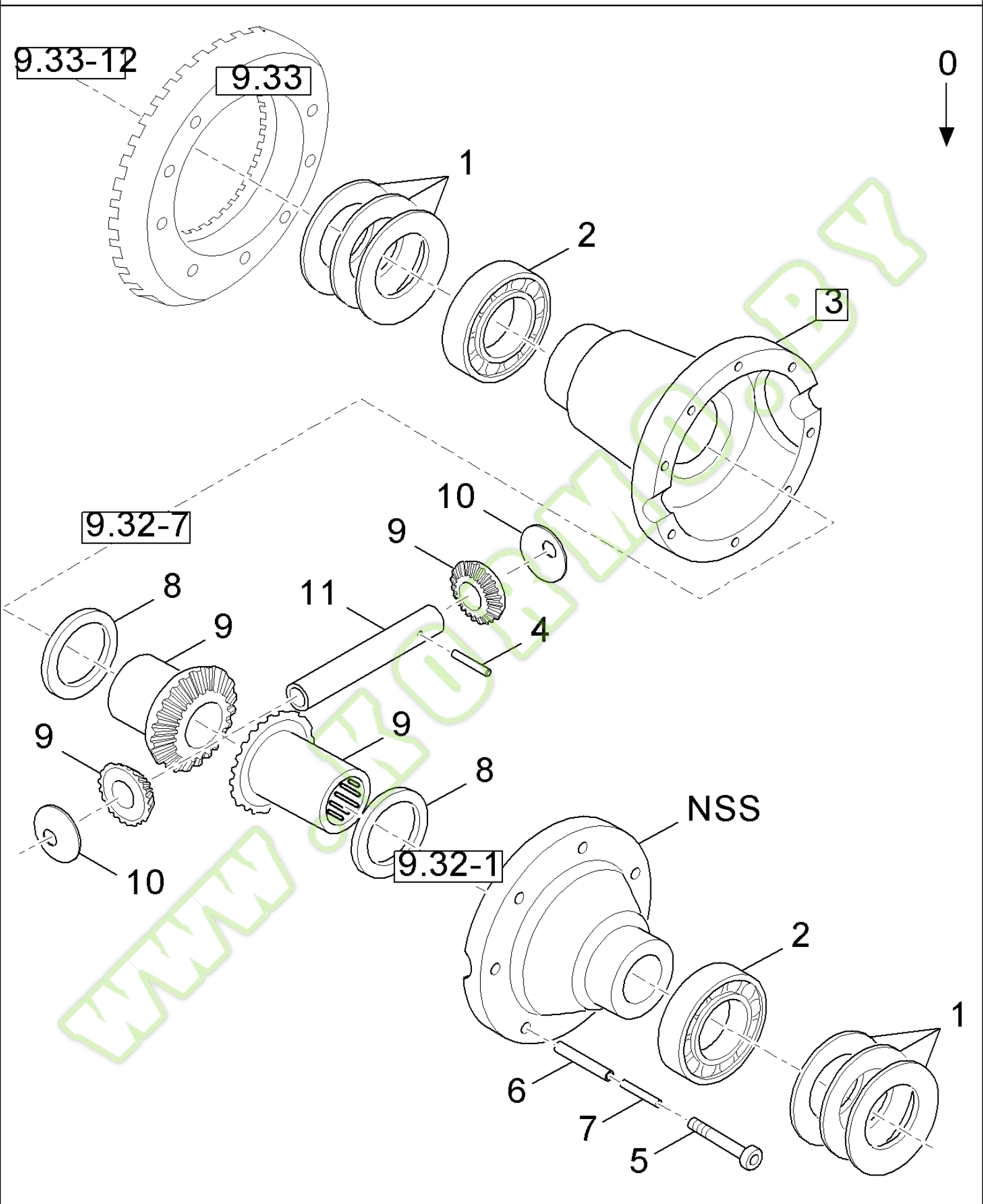
WWW.KORMO.BY



## FX375 NH SELF PROPELLED FORAGE HARVESTER - YELLOW VERSION

## 09.33(01) MECHANICAL 4-WHEEL DRIVE: AXLE

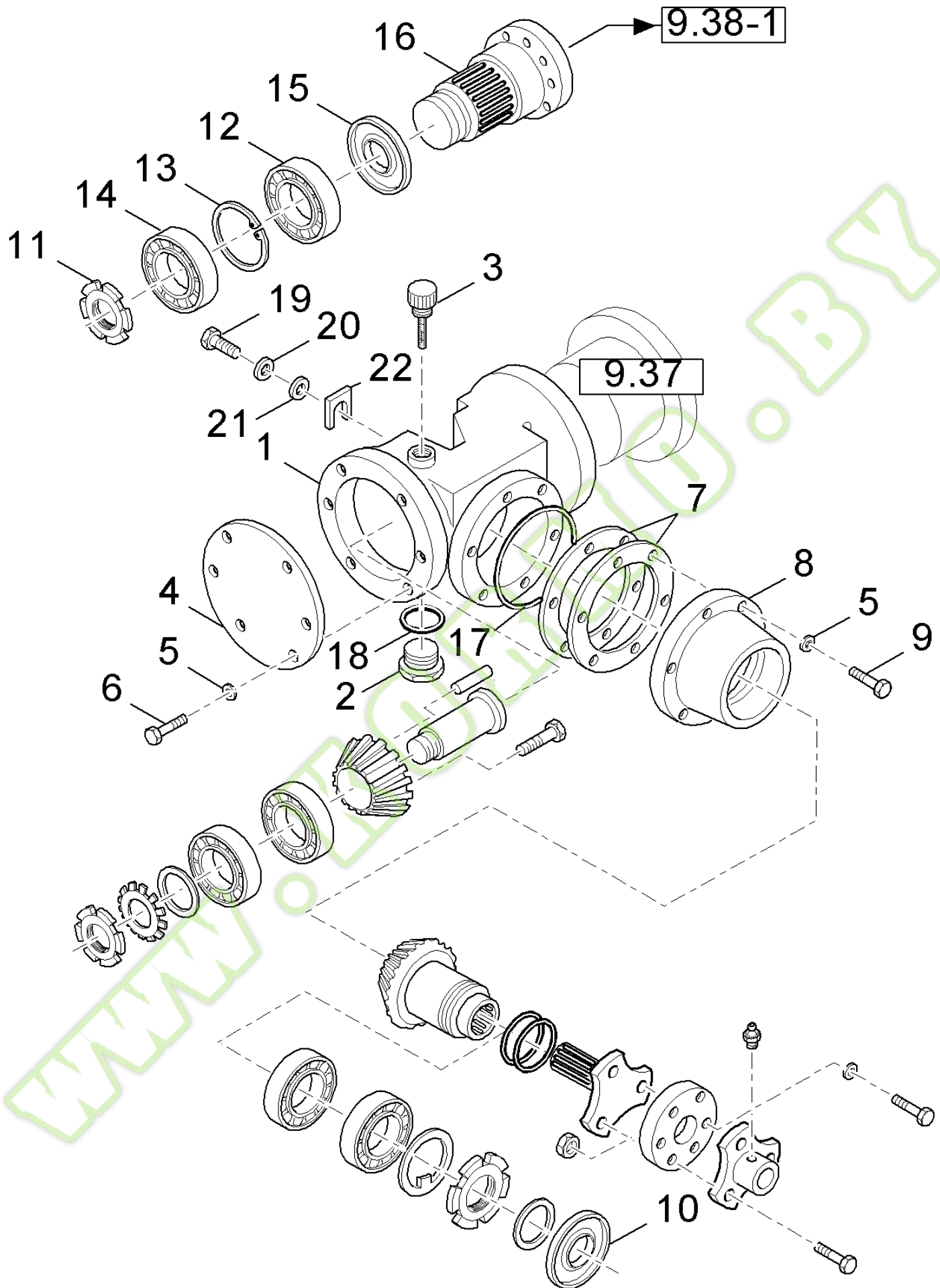
Ref	Part Number	Qty	Description
1	84015548	1	NUT, M20 x 1.5, CI 8.8, M20X1.5
2	84021816	1	WASHER,
3	84021817	AR	PLATE, ADJUSTING, THK.: 0.5MM
3	84021818	AR	PLATE, ADJUSTING, THK.: 0.2MM
3	84021819	AR	PLATE, ADJUSTING, THK.: 0.1MM
4	84021820	1	FLANGE, (6)
5	84021821	1	O-RING,
6	84021822	1	CAP, WASHER,
7	84021823	1	ELEMENT, SEALING,
8	370013	1	RING, SNAP, {PP:80370013}
9	84021824	1	BEARING ASSY,
10	84021825	AR	PLATE, ADJUSTING, THK.: 0.5MM
10	84021826	AR	PLATE, ADJUSTING, THK.: 0.2MM
11	84021827	1	BEARING ASSY,
12	84021828	1	GEAR SET,



## FX375 NH SELF PROPELLED FORAGE HARVESTER - YELLOW VERSION

## 09.34(01) MECHANICAL 4-WHEEL DRIVE: AXLE

Ref	Part Number	Qty	Description
0	84021837	1	GEAR SET, (8 TO 12)
0	84021838	1	DIFFERENTIAL, (3,8 TO 12)
1	84021829		AR PLATE, ADJUSTING, THK.: 0.5MM
1	84021830		AR PLATE, ADJUSTING, THK.: 0.2MM
1	84021831		AR PLATE, ADJUSTING, THK.: 0.1MM
2	84021832	2	BEARING ASSY, , -C0412
2	84053093	2	BEARING ASSY, , D1300-
3	84021962	1	HOUSING, (4 TO 7)
4	130045	1	PIN, {PP:80130045} M5 x 26, Slotted,
5	412412	12	SCREW, {PP:80412412} Hex Soc Hd, M10 x 60, 8.8, M12X60
6	14610270	4	PIN, ROLL, M10 x 45, Slotted,
7	80412660	4	PIN, ROLL,
8	84021833	2	WASHER,
9	84021834	1	GEAR, BEVEL,
10	84021835	1	WASHER,
11	84021836	1	SPINDLE,

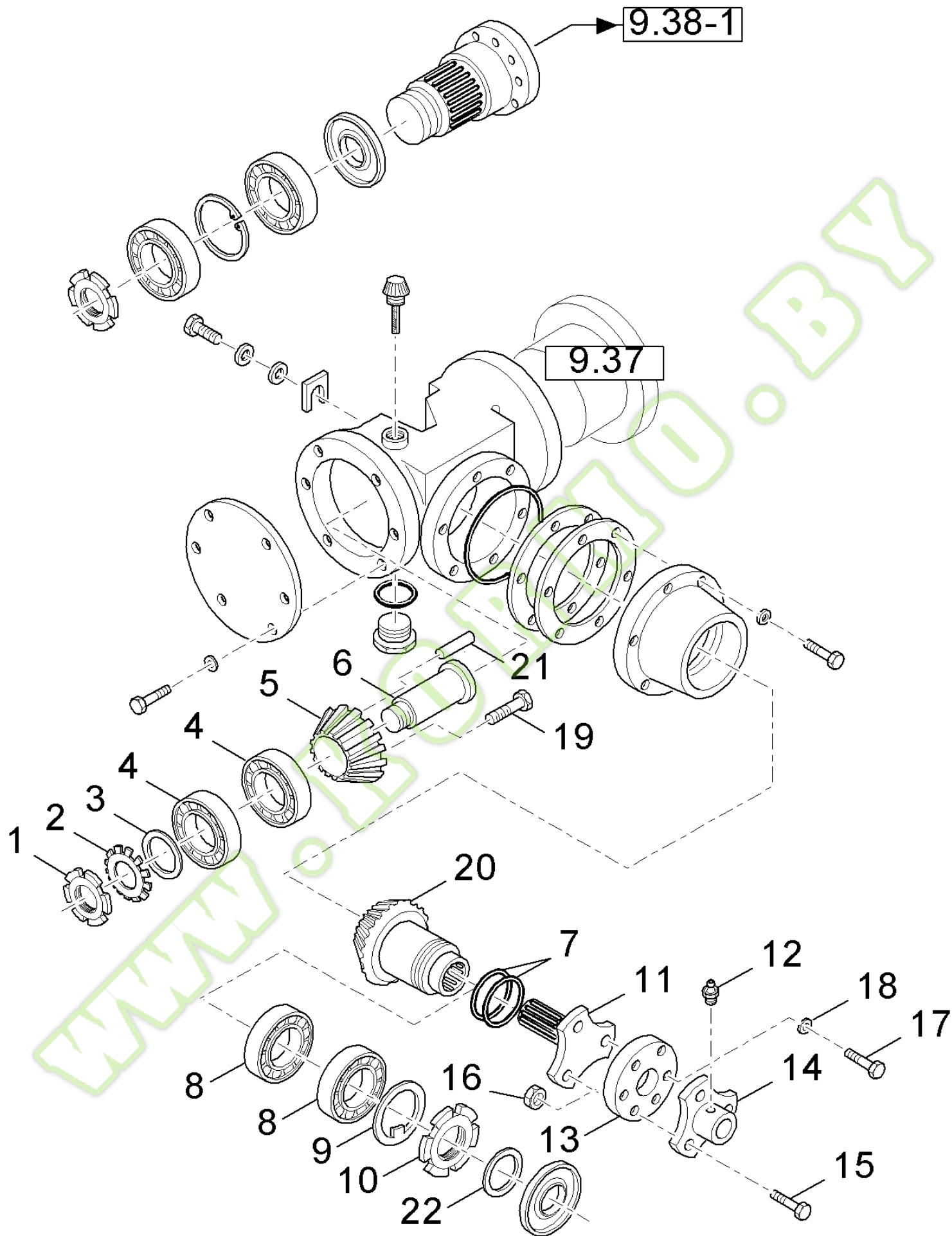




## FX375 NH SELF PROPELLED FORAGE HARVESTER - YELLOW VERSION

## 09.35(01) MECHANICAL 4-WHEEL DRIVE - GEARBOX

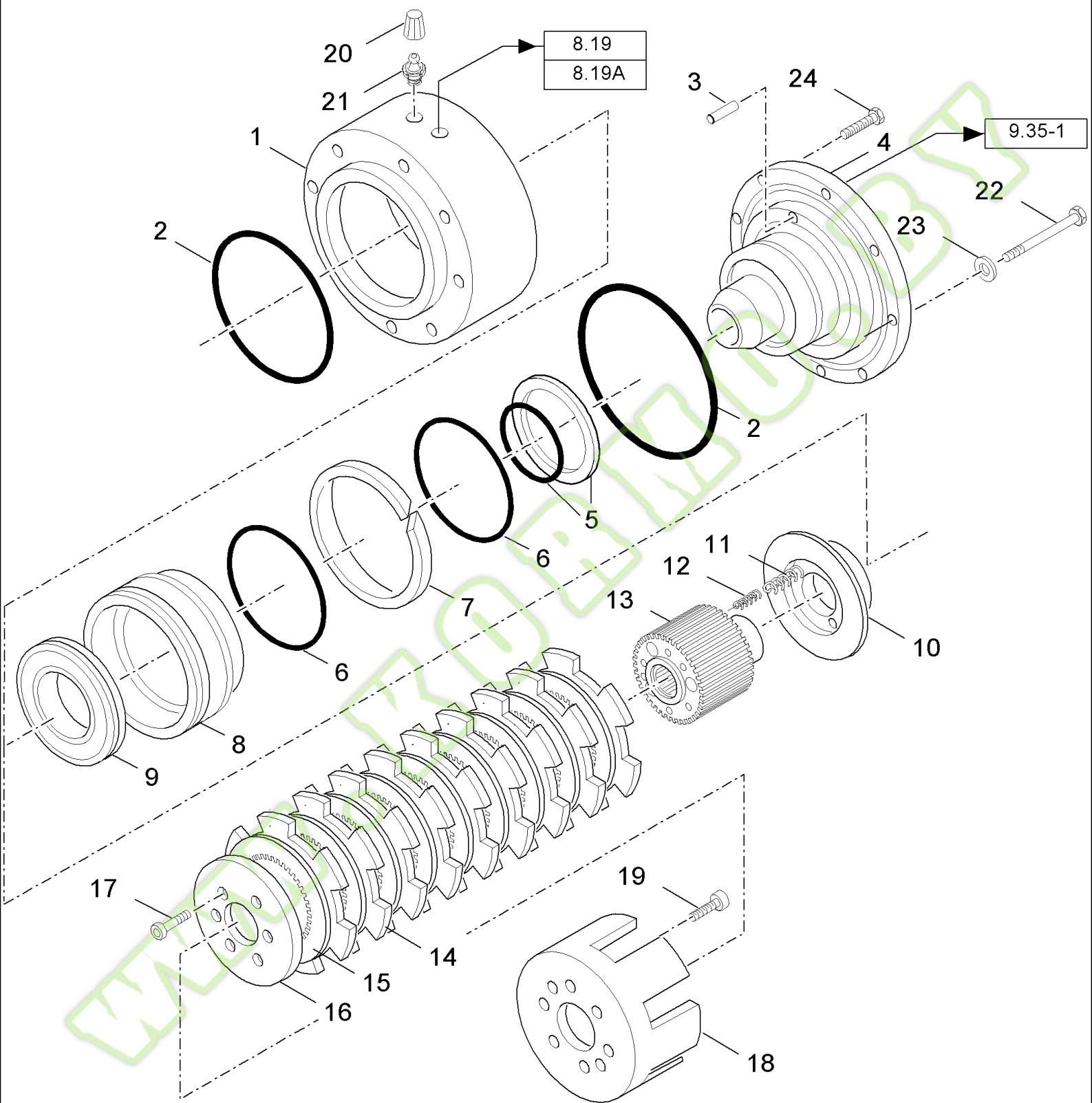
Ref	Part Number	Qty	Description
1	84007400	1	HOUSING,
2	366298	1	PLUG, DRAIN, {PP:80366298}
3	84041252	1	INDICATOR,
4	84011649	1	COVER,
5	322358	12	WASHER, LOCK, {PP:80322358} Belleville, M8, 8MM
6	120062	6	SCREW, {PP:80120062} Hex, M8 x 70, 8.8, M8X70
7	84011768	AR	SHIM, 0.15MM
7	84011769	AR	SHIM, 0.20MM
7	84011770	AR	SHIM, 0.30MM
8	84022864	1	FLANGE,
9	43127	6	BOLT, {PP:80043127} Hex, M8 x 25, 8.8, M8X25
10	84022860	1	GASKET,
11	412351	1	NUT, {PP:80412351} M35X1.5
12	84036339	1	BEARING ASSY,
13	382103	1	CIRCLIP, {PP:80382103}
14	84438713	1	BEARING ASSY,
15	84036438	1	RING,
16	84036333	1	SHAFT,
17	84022826	1	O-RING,
18	220049	1	GASKET, {PP:80220049}
19	80337563	4	SCREW, M12X40
20	140046	4	WASHER, LOCK, {PP:80140046} Belleville, M12, 12MM
21	80395606	4	WASHER,
22	48689	AR	SHIM, {PP:80048689} THK.: 0.6
22	86622604	AR	SHIM, THK.: 0.6
22	84023895	AR	SHIM,



## FX375 NH SELF PROPELLED FORAGE HARVESTER - YELLOW VERSION

## 09.36(01) MECHANICAL 4-WHEEL DRIVE - GEARBOX

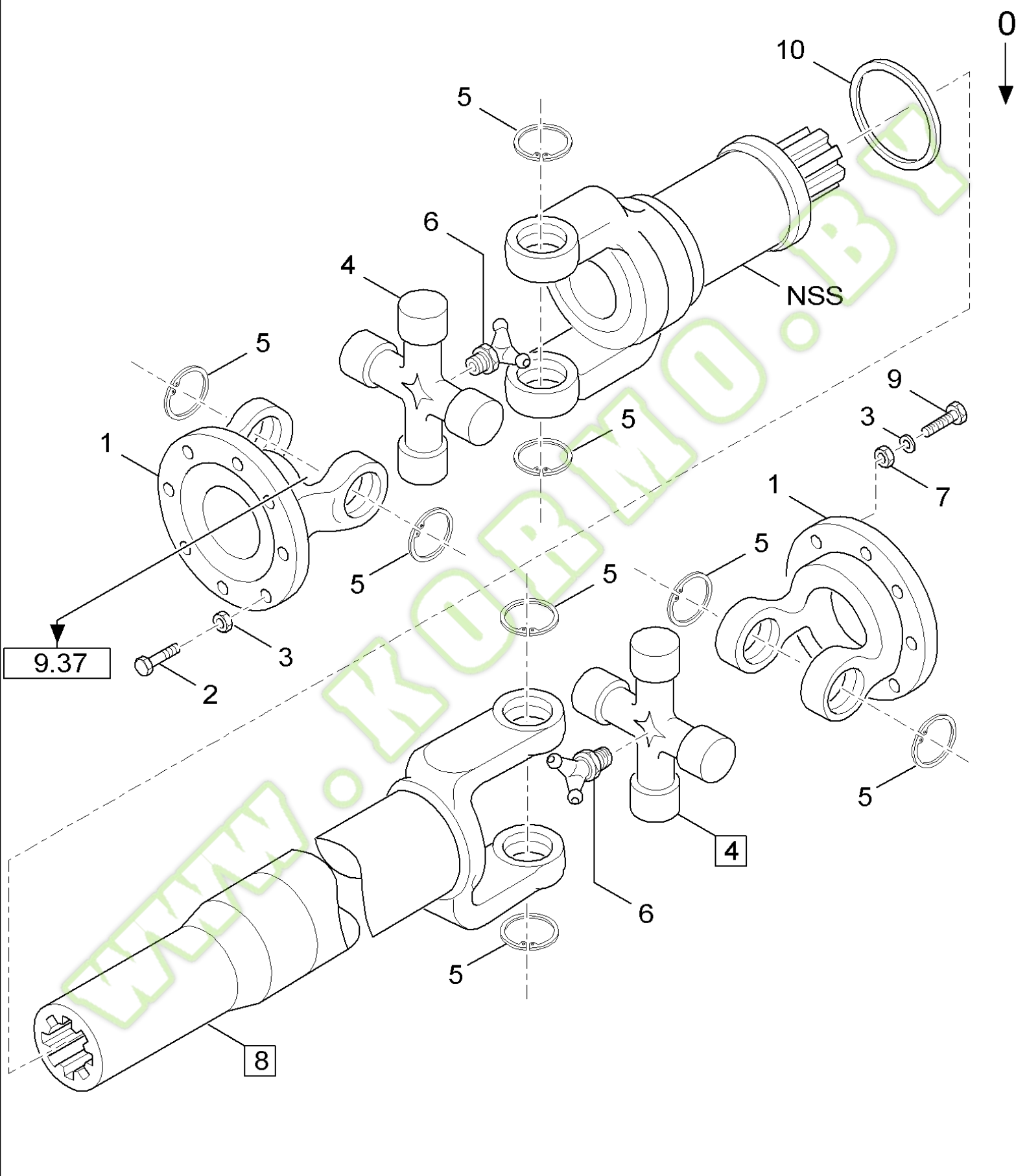
Ref	Part Number	Qty	Description
1	80394922	1	NUT, M30X1.5
2	84037274	1	WASHER, LOCK,
3	84037279	1	WASHER,
4	80564362	2	BEARING ASSY,
5	84032469	1	GEAR,
6	84036330	1	SPINDLE,
7	84037188	2	O-RING,
8	853116	2	BEARING ASSY, {PP:80853116}
9	37426	1	WASHER, LOCK, {PP:80037426}
10	534970	1	NUT, {PP:80534970} M55X1.5
11	84036331	1	SHAFT,
12	321204	1	NIPPLE, LUBE, {PP:80321204}
13	80447341	1	JOINT, UNIVERSAL,
14	84022828	1	FLANGE,
15	120122	3	SCREW, {PP:80120122} Hex, M12 x 50, 8.8, Full Thd, M12X50
16	100038	3	NUT, LOCK, {PP:80100038} M12 x 1.75, Cl 8, M12
17	80337563	3	SCREW, M12X40
18	140046	3	WASHER, LOCK, {PP:80140046} Belleville, M12, 12MM
19	84012852	6	SCREW, Hex Soc Hd, M8 x 16, 8.8, M8X16
20	84022877	1	GEAR,
21	84036329	2	PIN,
22	84036328	1	RING,



## FX375 NH SELF PROPELLED FORAGE HARVESTER - YELLOW VERSION

## 09.37(01) MECHANICAL 4-WHEEL DRIVE: CLUTCH

Ref	Part Number	Qty	Description
0	84036532	1	CLUTCH, (1 TO 19)
1	84036641	1	HOUSING,
2	84021842	2	O-RING,
3	84032150	2	PIN,
4	84036644	1	HUB,
5	84036647	1	RING, , "O" RING INSIDE SQUARE RING
6	84036645	2	RING,
7	84036648	1	RING,
8	84036642	1	HUB,
9	84036650	1	BEARING ASSY,
10	84036643	1	HUB,
11	84021850	9	SPRING,
12	84021851	9	SPRING,
13	84036640	1	ROTOR,
14	84021853	7	DISC,
15	84021854	8	DISC,
16	84021855	1	FLANGE,
17	84036646	6	SCREW, M5X20
18	84021856	1	HOUSING,
19	43127	2	BOLT, {PP:80043127} Hex, M8 x 25, 8.8, M8X25
20	9835349	1	CAP, INTRODUCTION, {PP:89835349}
21	9832308	1	PLUG, {PP:89832308}
22	120064	8	SCREW, {PP:80120064} Hex, M8 x 90, 8.8, M8X90
23	322358	8	WASHER, LOCK, {PP:80322358} Belleville, M8,
24	80120104	2	SCREW, M8X20

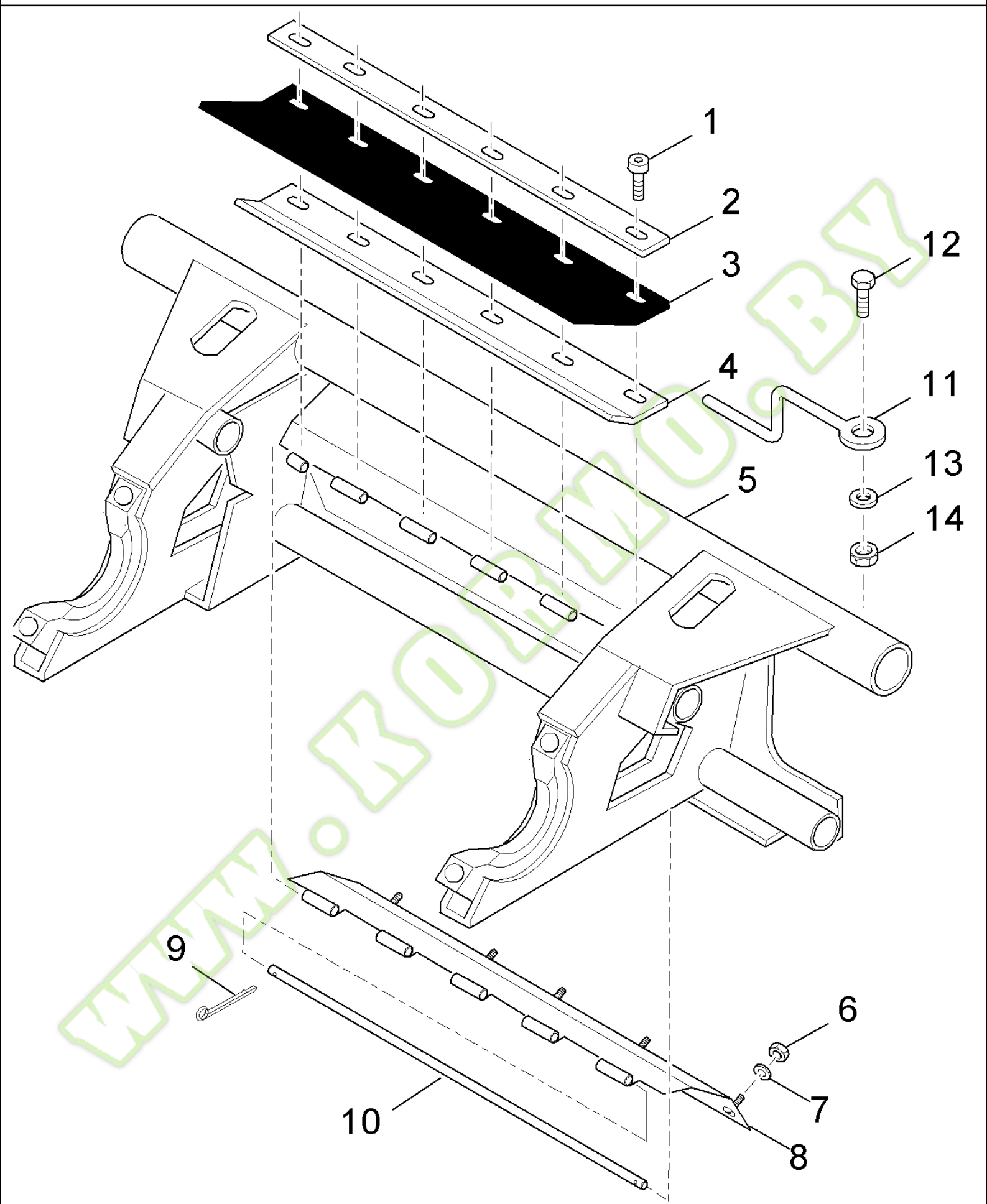


## FX375 NH SELF PROPELLED FORAGE HARVESTER - YELLOW VERSION

## 09.38(01) MECHANICAL 4-WHEEL DRIVE: POWER TAKE-OFF

Ref	Part Number	Qty	Description
0	84004978	1	SHAFT, PTO, (1,4 TO 10)
1	84021857	2	FLANGE,
2	43139	8	SCREW, {PP:80043139} Hex, M10 x 25, 8.8, Full Thd, M10X25
3	140045	16	WASHER, LOCK, {PP:80140045} Belleville, M10, 10MM
4	84021858	2	SPIDER, (5,6)
5	84031951	8	CIRCLIP,
6	84039155	2	NIPPLE, LUBE,
7	100016	8	NUT, {PP:80100016} M10, CI 8, M10
8	84031952	1	SHAFT, (NSS)
10	84045266	1	ELEMENT, SEALING,
9	43140	8	BOLT, {PP:80043140} Hex, M10 x 30, 8.8, M10X30

WWW.KORMO.BY

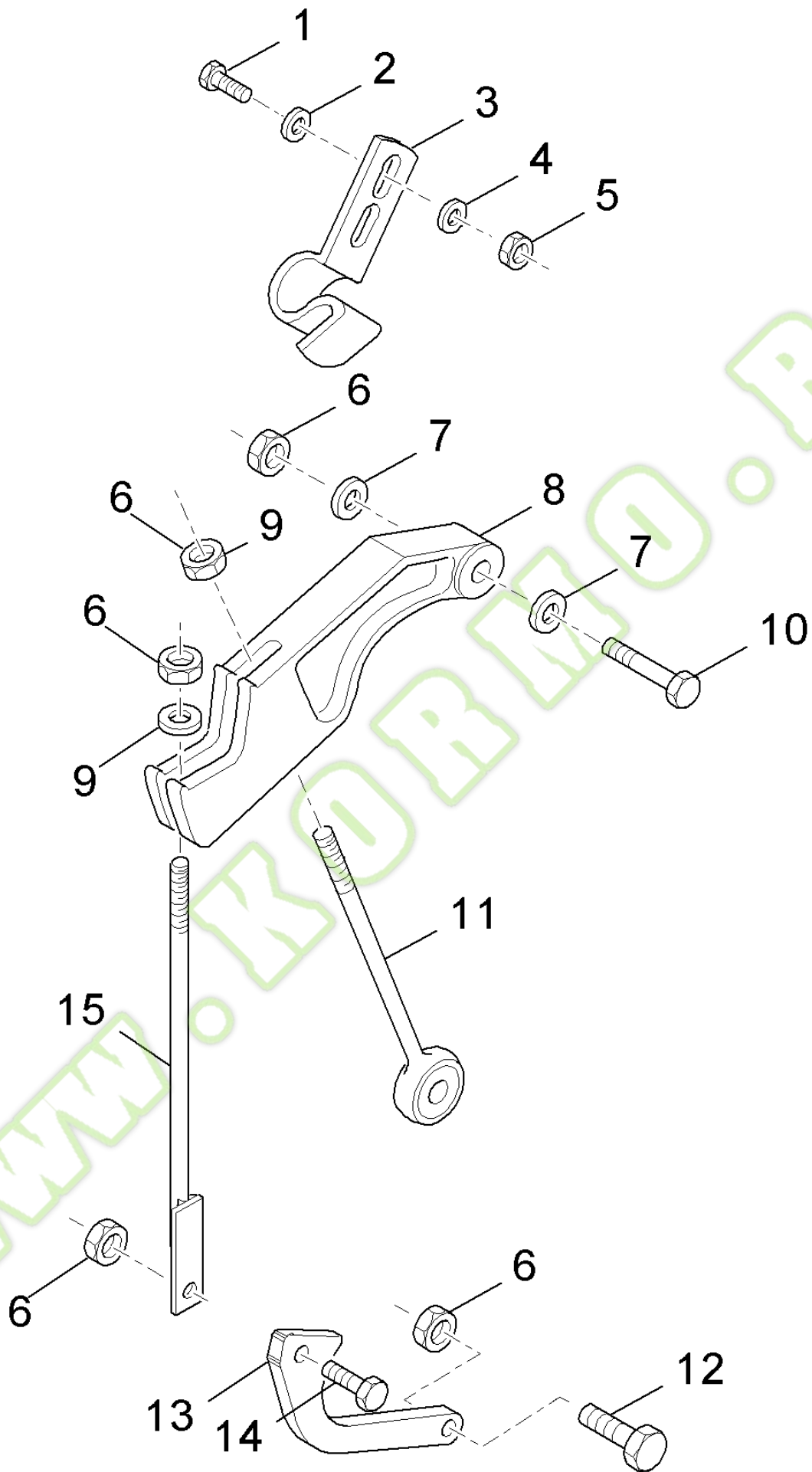




## FX375 NH SELF PROPELLED FORAGE HARVESTER - YELLOW VERSION

## 10.01(01) MAIN FRAME

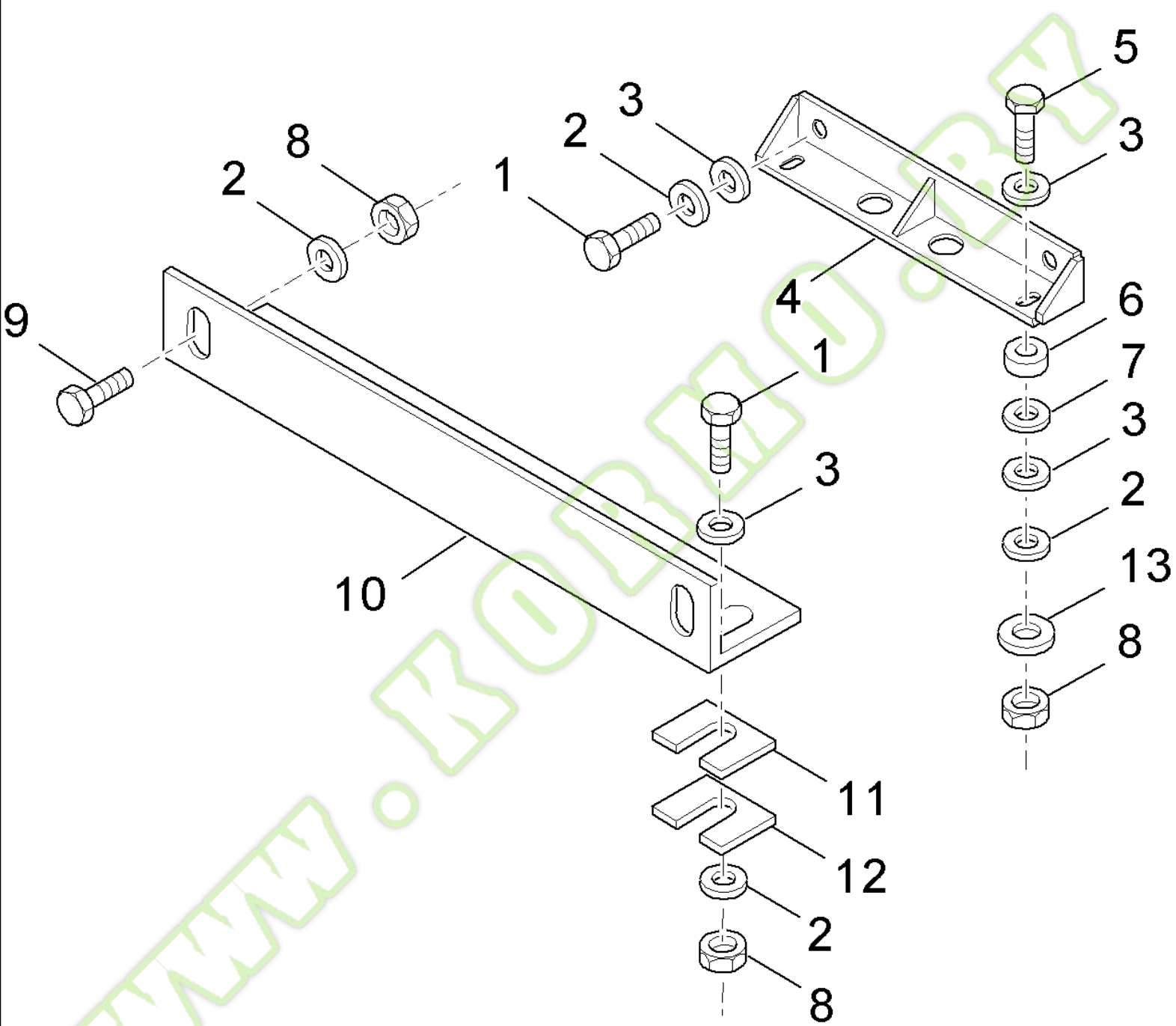
Ref	Part Number	Qty	Description
1	391510	6	SCREW, {PP:80391510} M8X20
2	84000356	1	PLATE, FIXING,
3	84000357	1	CANVAS,
4	84012252	1	PLATE, COVER,
5	89808924	1	FRAME,
6	100015	5	NUT, {PP:80100015} M8, CI 8, M8
7	322358	5	WASHER, LOCK, {PP:80322358} Belleville, M8, 8MM
8	84005175	1	COVER,
9	130006	2	PIN, SPLIT (COTTER), {PP:80130006} M4 x 20,
10	84005186	1	ROD,
11	84002349	1	HOOK,
12	300389	1	SCREW, {PP:80300389} Hex, M12 x 35, 8.8, Full Thd, M12X35
13	140046	1	WASHER, LOCK, {PP:80140046} Belleville, M12, 12MM
14	100038	1	NUT, LOCK, {PP:80100038} M12 x 1.75, CI 8, M12



## FX375 NH SELF PROPELLED FORAGE HARVESTER - YELLOW VERSION

## 10.02(01) MAIN FRAME

Ref	Part Number	Qty	Description
1	412255	4	SCREW, {PP:80412255} Hex, M4 x 20, 8.8, Full Thd, M4X20
2	84022857	2	WASHER,
3	165160	2	LATCH, {PP:80165160} , -C0409
3	9801069	2	LATCH, {PP:89801069} , D1000-
4	322355	4	WASHER, LOCK, {PP:80322355} Belleville, M4, 4MM
5	100012	4	NUT, {PP:80100012} M4, CI 8, M4
6	100039	10	NUT, {PP:80100039} M16 x 2, CI 8, M16
7	393062	AR	WASHER, LOCK, {PP:80393062}
8	84000375	2	ARM,
9	394631	4	WASHER, {PP:80394631}
10	374889	2	SCREW, {PP:80374889} Hex, M16 x 100, 8.8, M16X100
11	417749	2	BOLT, {PP:80417749} M16X200
12	385923	2	SCREW, {PP:80385923} Hex, M16 x 55, 8.8, Full Thd, Hex, M16 x 55, 8.8, Full Thd
13	84001545	2	HOOK,
14	120089	2	BOLT, {PP:80120089} Hex, M16 x 40, 8.8, Hex, M16 x 40, 8.8, -C0408
15	84018599	2	TIE-ROD, , -C0408
15	84026014	2	TIE-ROD, , D0900-

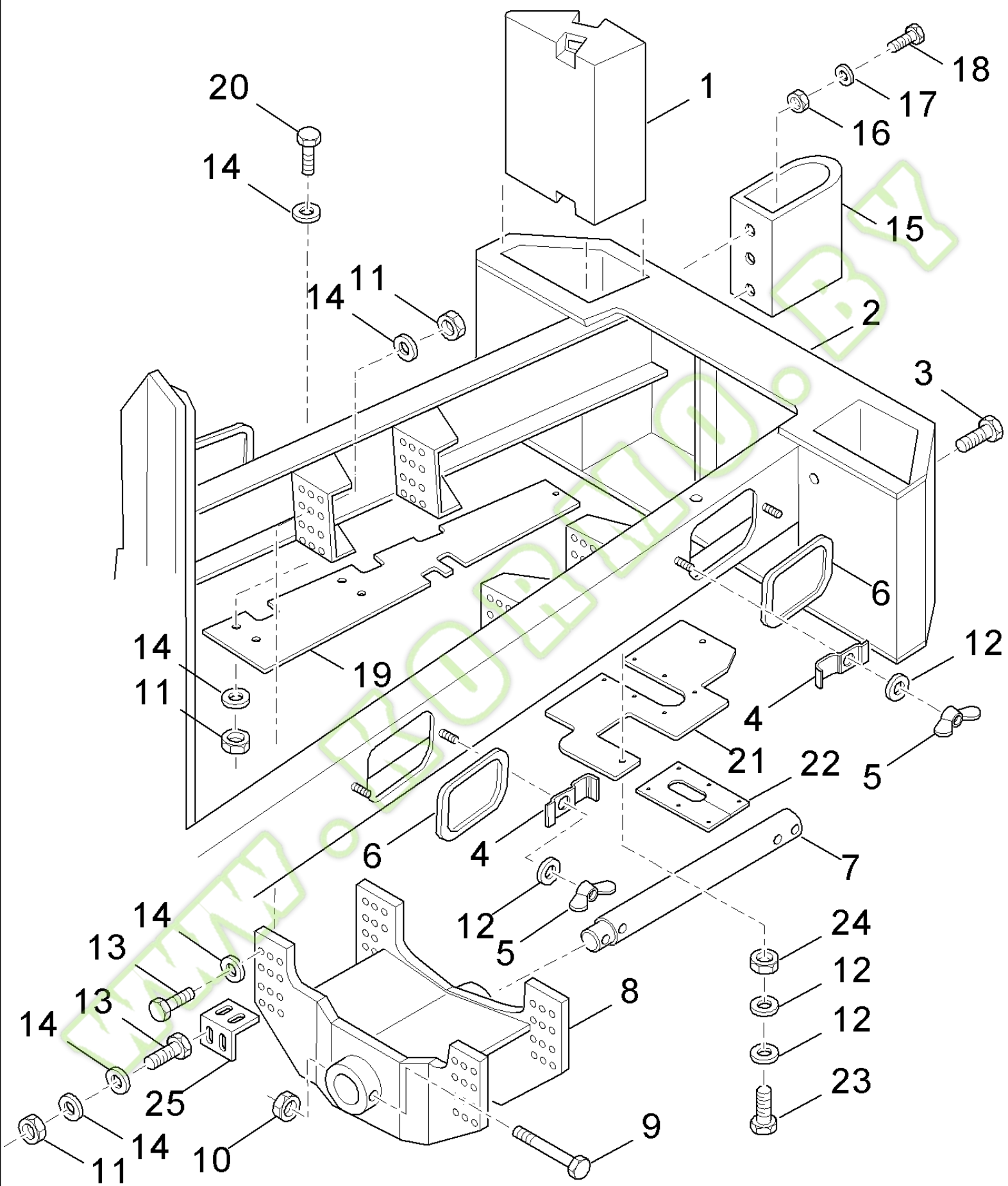


## FX375 NH SELF PROPELLED FORAGE HARVESTER - YELLOW VERSION

## 10.03(01) MAIN FRAME

Ref	Part Number	Qty	Description
1	120089	6	BOLT, {PP:80120089} Hex, M16 x 40, 8.8, Hex, M16 x 40, 8.8
2	140048	8	WASHER, LOCK, {PP:80140048} Belleville, M16, 16MM
3	325594	8	WASHER, {PP:80325594} 16MM
4	89812474	1	SUPPORT,
5	120093	2	SCREW, {PP:80120093} Hex, M16 x 80, 8.8, Hex, M16 x 80, 8.8
6	80456972	2	RING,
7	47407	AR	WASHER, {PP:80047407}
8	100020	8	NUT, {PP:80100020} M16, CI 8, M16, CI 8
9	120091	2	SCREW, {PP:80120091} Hex, M16 x 60, 8.8, Hex, M16 x 60, 8.8
10	89594631	1	ANGLE BAR,
11	48689	AR	SHIM, {PP:80048689}
12	66271	AR	SHIM, {PP:80066271}
13	84023895	AR	SHIM, , D1400-

WWW.KORMO.BY

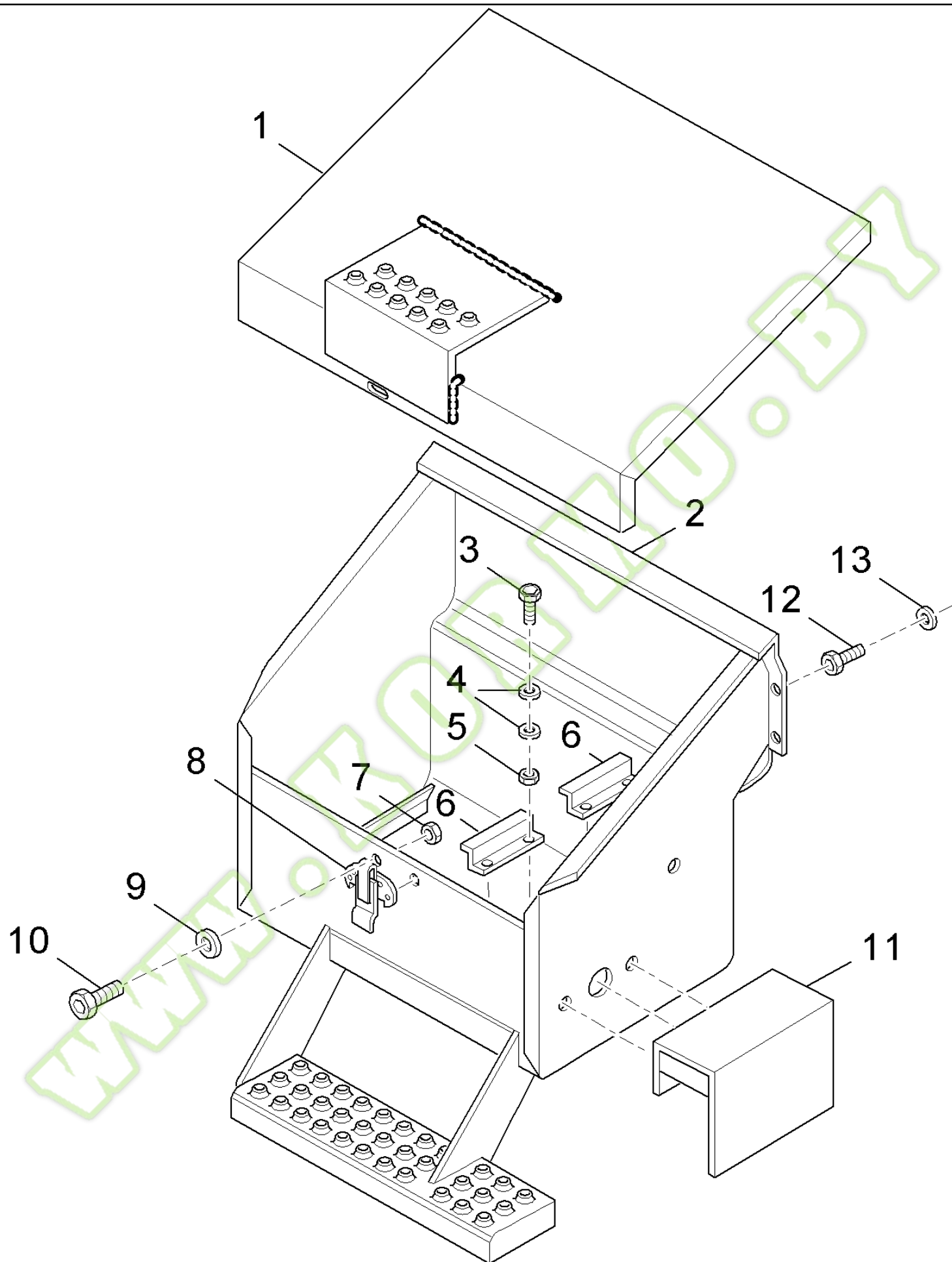


## FX375 NH SELF PROPELLED FORAGE HARVESTER - YELLOW VERSION

## 10.04(01) MAIN FRAME

Ref	Part Number	Qty	Description
1	84015657	2	WEIGHT, ADVANCE DEVICE,
2	89593252	1	FRAME,
3	80374890	4	SCREW, M20X60
4	425093	6	CLIP, {PP:80425093}
5	100005	6	NUT, WING, {PP:80100005} M8, M8
6	84023436	3	COVER,
7	89593224	1	SHAFT,
8	84001038	1	SUPPORT,
9	412215	1	SCREW, {PP:80412215} Hex, M8 x 100, 8.8, M8X100, -C0409
9	9501756	1	SCREW, {PP:89501756} Hex, M12 x 110, 10.9, M8X110, D1000-
10	100038	1	NUT, LOCK, {PP:80100038} M12 x 1.75, CI 8, M12, D1000-
10	100067	1	NUT, {PP:80100067} M8 x 1.25", CI 8, M8, -C0409
11	100020	60	NUT, {PP:80100020} M16, CI 8, M16, CI 8
12	322358	5	WASHER, LOCK, {PP:80322358} Belleville, M8, 8MM
13	120089	56	BOLT, {PP:80120089} Hex, M16 x 40, 8.8, Hex, M16 x 40, 8.8
14	140048	AR	WASHER, LOCK, {PP:80140048} Belleville, M16, 16MM
15	916234	2	BUMPER, {PP:80916234}
16	419712	6	SPACER, {PP:80419712}
17	378246	6	WASHER, {PP:80378246} 16MM
18	120090	6	SCREW, {PP:80120090} Hex, M16 x 50, 8.8, Hex, M16 x 50, 8.8
19	84045303	1	PLATE, , D3300-
21	84045302	1	PLATE, , D3300-
22	84045846	1	CANVAS, , D3300-
23	43128	1	SCREW, {PP:80043128} Hex, M8 x 30, 8.8, Cap, HH, CL 8.8, M8 x 1.25 x 30, D3300-
24	100015	1	NUT, {PP:80100015} M8, CI 8, M8, D3300-
25	84052621	4	SUPPORT, , D1400-
20	120126	4	SCREW, {PP:80120126} Hex, M16 x 30, 8.8, Full Thd, Hex, M16 x 30, 8.8, Full Thd, D3300-

10.05(01) BATTERY BOX

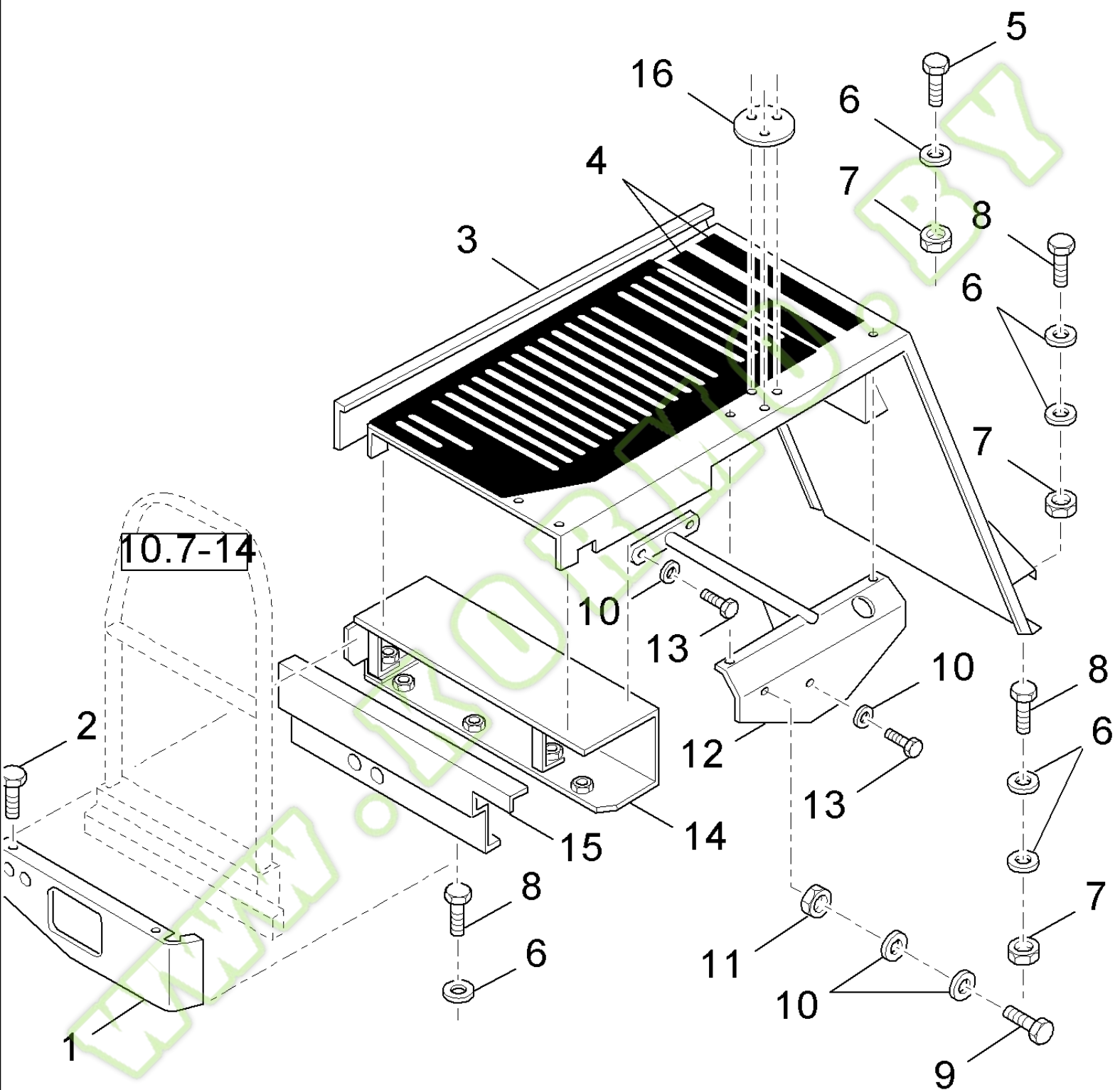




## FX375 NH SELF PROPELLED FORAGE HARVESTER - YELLOW VERSION

## 10.05(01) BATTERY BOX

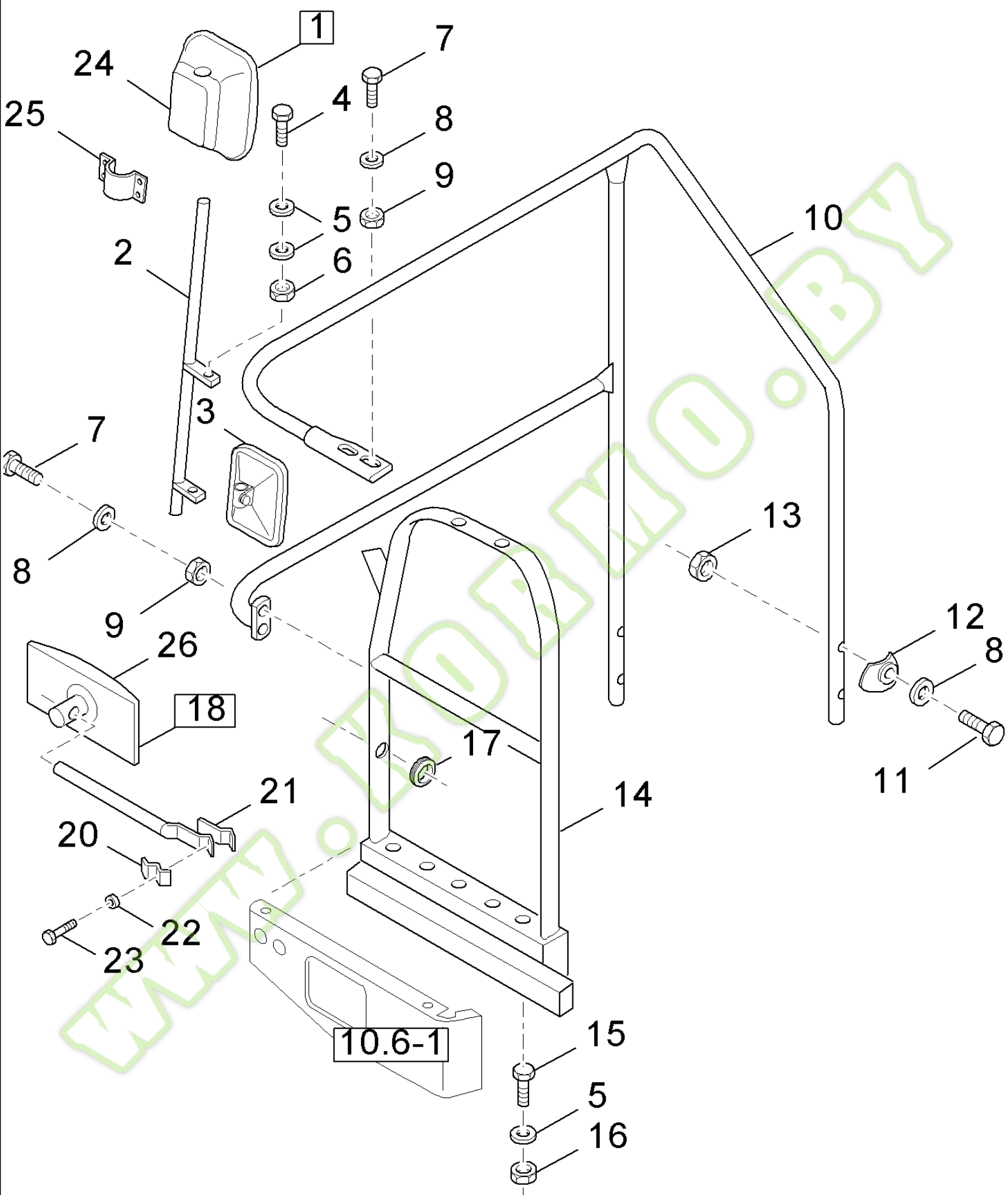
Ref	Part Number	Qty	Description
1	84011991	1	COVER,
2	84011996	1	TRAY, BATTERY,
3	120100	4	BOLT, {PP:80120100} Hex, M6 x 20, 8.8, M6X20
4	322357	8	WASHER, LOCK, {PP:80322357} Belleville, M6, Belleville, M6
5	9706755	4	NUT, {PP:89706755} M6, CI 8, M6
6	80422831	2	SUPPORT,
8	244457	1	CLAMP, {PP:80244457}
9	89837748	2	WASHER, 5MM
10	412483	2	SCREW, {PP:80412483} Cross Pan Hd, M5 x 10, M5X10
11	84011994	1	COVER,
13	140045	6	WASHER, LOCK, {PP:80140045} Belleville, M10, 10MM
7	100013	2	NUT, {PP:80100013} M4, CI 8, M5
12	120109	6	SCREW, {PP:80120109} Hex, M10 x 20, 8.8, Full Thd, M10X20



## FX375 NH SELF PROPELLED FORAGE HARVESTER - YELLOW VERSION

## 10.06(01) STEERING PLATFORM, RH

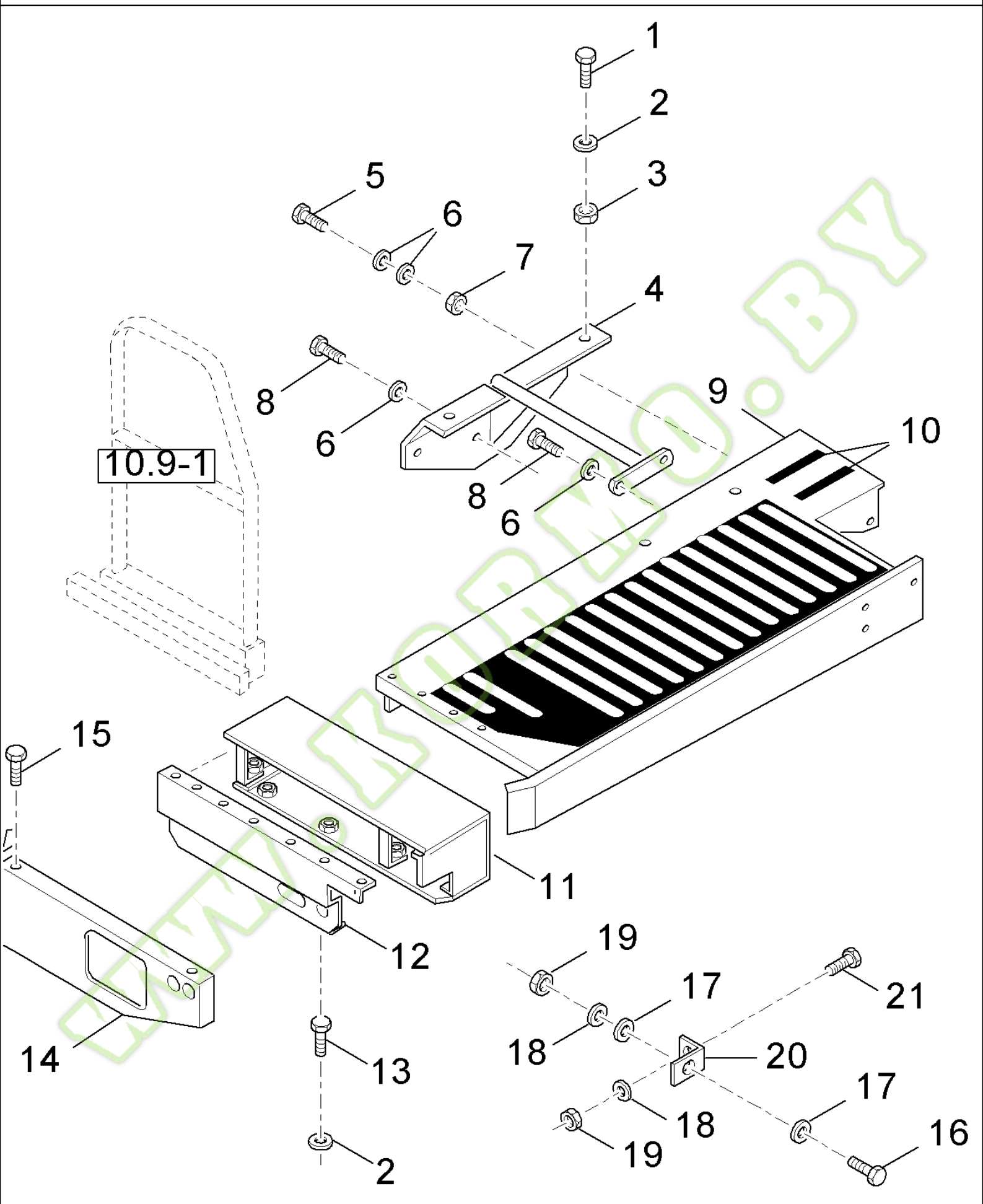
Ref	Part Number	Qty	Description
1	84001237	1	PLATE,
2	N605772S36	4	SCREW, {PP:83910242}
3	84002783	1	PLATFORM,
4	401502	AR	STRIP, ANTI-SKID, {PP:80401502} 51mm x 18.3 Roll - Cut to Size
5	120037	2	BOLT, {PP:80120037} Short NK, M8 x 20, CI8.8, Full Thd, M8X20
6	322358	15	WASHER, LOCK, {PP:80322358} Belleville, M8, 8MM
7	100015	6	NUT, {PP:80100015} M8, CI 8, M8
8	80120104	9	SCREW, M8X20
10	140045	6	WASHER, LOCK, {PP:80140045} Belleville, M10, 10MM
11	100016	2	NUT, {PP:80100016} M10, CI 8, M10
12	84001730	1	SUPPORT,
14	84001878	1	COVER,
15	84001735	1	SUPPORT,
16	84038104	1	COVER,
9	120109	2	SCREW, {PP:80120109} Hex, M10 x 20, 8.8, Full Thd, M10X20
13	43140	3	BOLT, {PP:80043140} Hex, M10 x 30, 8.8, M10X30



## FX375 NH SELF PROPELLED FORAGE HARVESTER - YELLOW VERSION

## 10.07(01) MIRRORS AND HAND-RAIL, RH

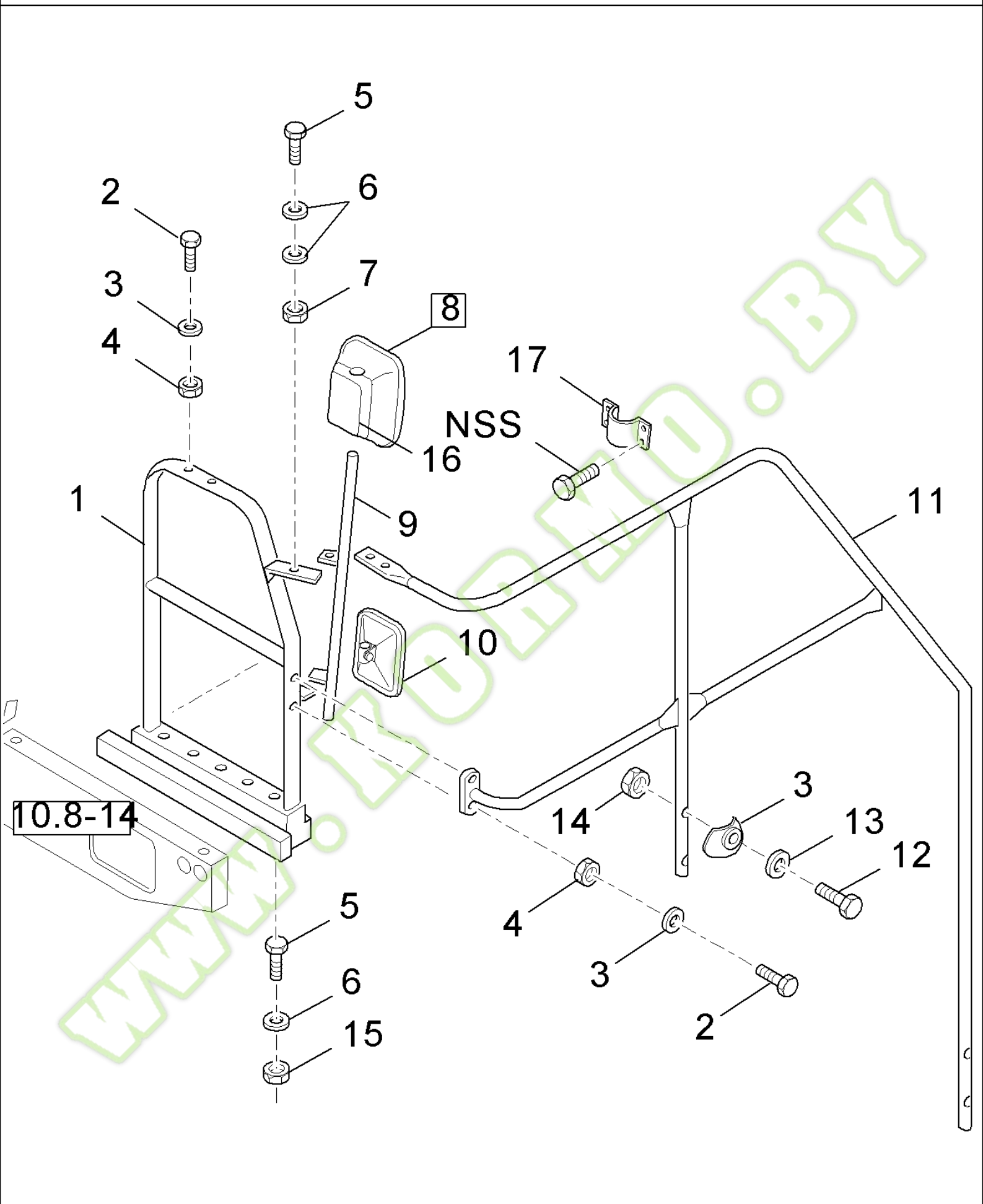
Ref	Part Number	Qty	Description
1	9501005	1	MIRROR, REAR-VIEW, {PP:89501005} (24,25)
2	84019723	1	SUPPORT,
3	437650	1	MIRROR, REAR-VIEW, {PP:80437650}
5	140045	9	WASHER, LOCK, {PP:80140045} Belleville, M10, 10MM
6	100037	2	NUT, {PP:80100037} M10 x 1.5, CI 8, M10
7	120060	4	SCREW, {PP:80120060} Hex, M8 x 50, 8.8, M8X50
8	322358	4	WASHER, LOCK, {PP:80322358} Belleville, M8, 8MM
9	100015	4	NUT, {PP:80100015} M8, CI 8, M8
10	84001727	1	HANDRAIL,
11	120106	4	SCREW, {PP:80120106} Hex, M8 x 40, 8.8, Full Thd, Hex, M8 x 40, 8.8, Full Thd
12	333962	4	CLAMP, {PP:80333962}
13	100067	4	NUT, {PP:80100067} M8 x 1.25", CI 8, M8
14	89818337	1	HANDRAIL,
15	120245	5	SCREW, {PP:80120245} Short NK, M10 x 30, CI8.8, Full Thd, M10X30
16	100016	5	NUT, {PP:80100016} M10, CI 8, M10
17	190067	1	BUSHING, RUBBER, {PP:80190067}
18	84011599	1	MIRROR, REAR-VIEW, (26), FOR GERMANY ONLY
19	84021090	1	TUBE, RIGID, , FOR GERMANY ONLY
20	84007508	1	CLAMP, , FOR GERMANY ONLY
21	84007510	1	CLAMP, , FOR GERMANY ONLY
22	322357	1	WASHER, LOCK, {PP:80322357} Belleville, M6, Belleville, M6, FOR GERMANY ONLY
23	86977786	1	BOLT, Hex, M6 x 25, 8.8, M6X25, FOR GERMANY ONLY
24	84036577	1	COVER, BACK
25	84037250	2	CLAMP,
26	84036693	1	GLASS, , FOR GERMANY ONLY
4	43140	2	BOLT, {PP:80043140} Hex, M10 x 30, 8.8, M10X30



## FX375 NH SELF PROPELLED FORAGE HARVESTER - YELLOW VERSION

## 10.08(01) STEERING PLATFORM, LH

Ref	Part Number	Qty	Description
1	120037	2	BOLT, {PP:80120037} Short NK, M8 x 20, CI8.8, Full Thd, M8X20
2	322358	9	WASHER, LOCK, {PP:80322358} Belleville, M8, 8MM
3	100015	2	NUT, {PP:80100015} M8, CI 8, M8
4	89594946	1	SUPPORT,
6	140045	4	WASHER, LOCK, {PP:80140045} Belleville, M10, 10MM
7	100016	2	NUT, {PP:80100016} M10, CI 8, 10MM
9	89594952	1	PLATFORM,
10	401502	AR	STRIP, ANTI-SKID, {PP:80401502} 51mm x 18.3 Roll - Cut to Size
11	84001882	1	COVER,
12	84001222	1	SUPPORT,
13	80120104	5	SCREW, M8X20
14	84001236	1	PLATE, COVER,
15	N605772S36	4	SCREW, {PP:83910242}
16	80120102	1	SCREW, M6X40, D0900-
17	140040	2	WASHER, {PP:80140040} M6 x 22 x 2, , D1000-
17	213137	2	WASHER, {PP:80213137} , -C0909
18	322357	2	WASHER, LOCK, {PP:80322357} Belleville, M6, Belleville, M6, D0900-
19	9706755	2	NUT, {PP:89706755} M6, CI 8, M6, D0900-
20	84022402	2	BRACKET, , D0900-
21	120100	1	BOLT, {PP:80120100} Hex, M6 x 20, 8.8, M6X20, D0900-
5	120109	2	SCREW, {PP:80120109} Hex, M10 x 20, 8.8, Full Thd, M10X20
8	43140	2	BOLT, {PP:80043140} Hex, M10 x 30, 8.8, M10X30



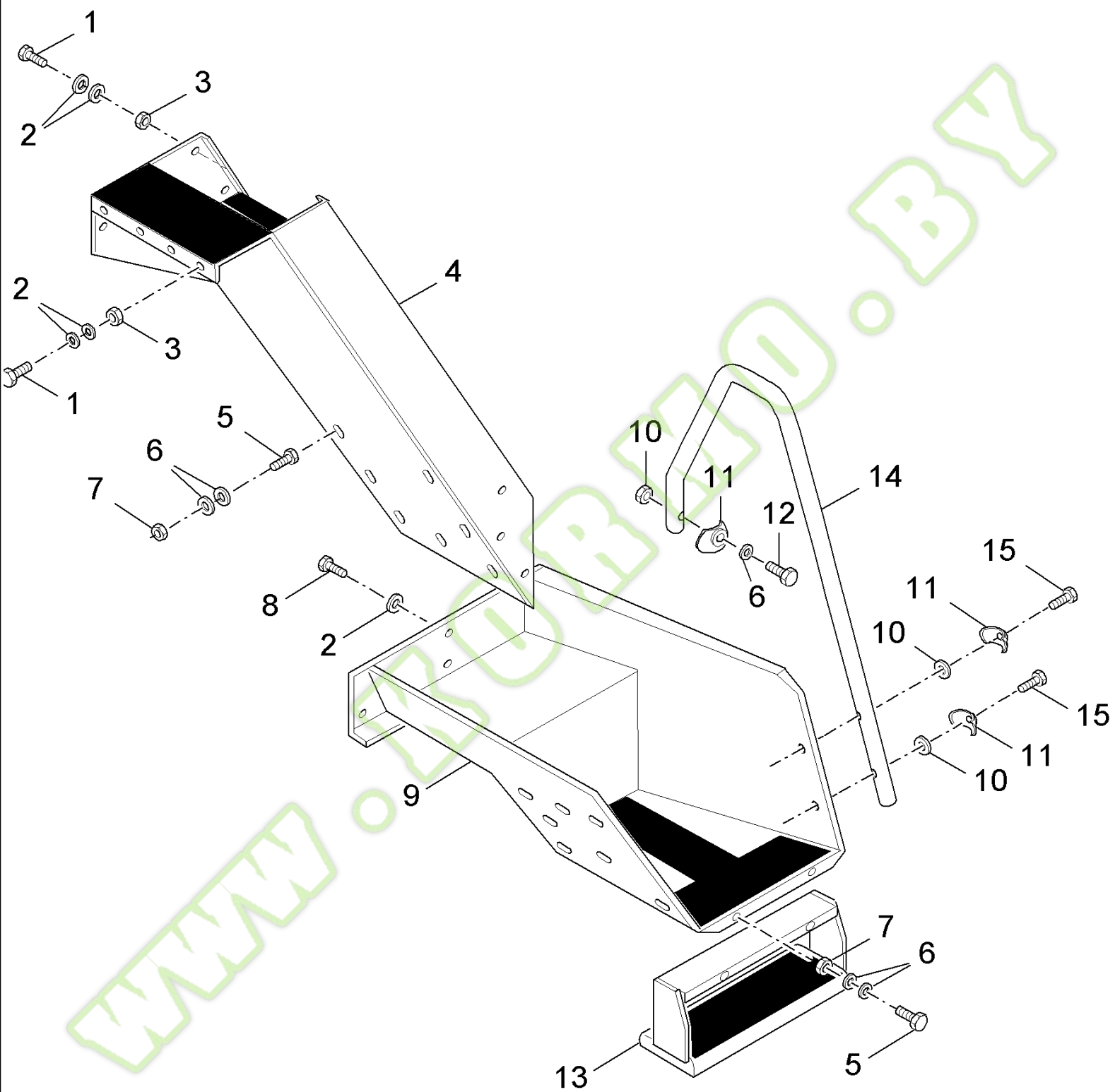


## FX375 NH SELF PROPELLED FORAGE HARVESTER - YELLOW VERSION

## 10.09(01) MIRRORS AND HAND-RAIL, LH

Ref	Part Number	Qty	Description
1	84001234	1	HANDRAIL,
2	120060	4	SCREW, {PP:80120060} Hex, M8 x 50, 8.8, M8X60
3	322358	8	WASHER, LOCK, {PP:80322358} Belleville, M8, 8MM
4	100015	4	NUT, {PP:80100015} M8, CI 8, M8
6	140045	9	WASHER, LOCK, {PP:80140045} Belleville, M10, 10MM
7	100037	2	NUT, {PP:80100037} M10 x 1.5, CI 8, M10
8	9501005	1	MIRROR, REAR-VIEW, {PP:89501005} (16TO18)
9	84019723	1	SUPPORT,
10	437650	1	MIRROR, REAR-VIEW, {PP:80437650}
11	84002314	1	HANDRAIL,
12	120106	4	SCREW, {PP:80120106} Hex, M8 x 40, 8.8, Full Thd, Hex, M8 x 40, 8.8, Full Thd
13	333962	4	CLAMP, {PP:80333962}
14	100067	4	NUT, {PP:80100067} M8 x 1.25", CI 8, M8
15	100016	5	NUT, {PP:80100016} M10, CI 8, M10
16	84036577	1	COVER, BACK
17	84037250	2	CLAMP,
5	43140	2	BOLT, {PP:80043140} Hex, M10 x 30, 8.8, M10X30

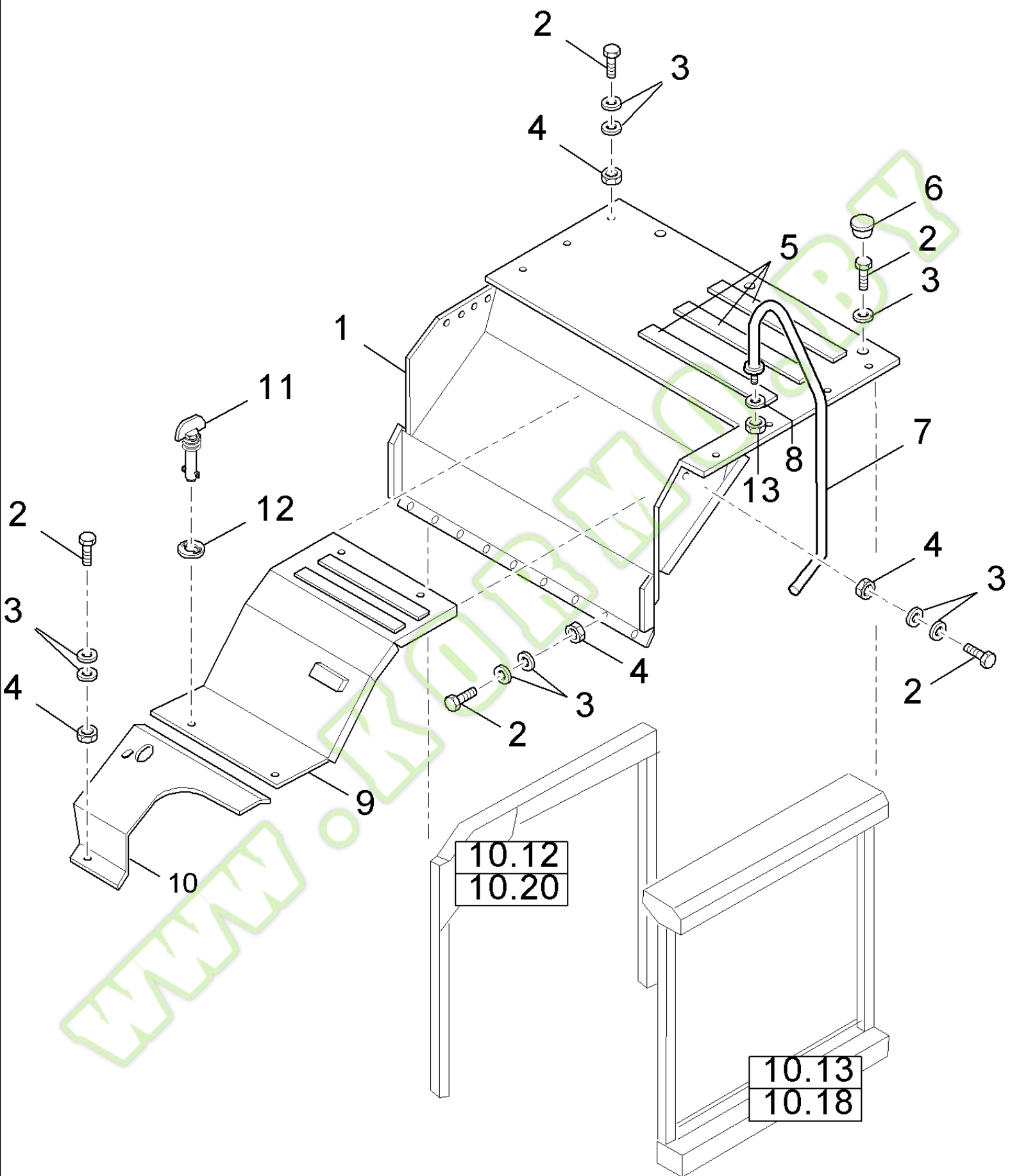
10.10(01) LADDER



## FX375 NH SELF PROPELLED FORAGE HARVESTER - YELLOW VERSION

## 10.10(01) LADDER

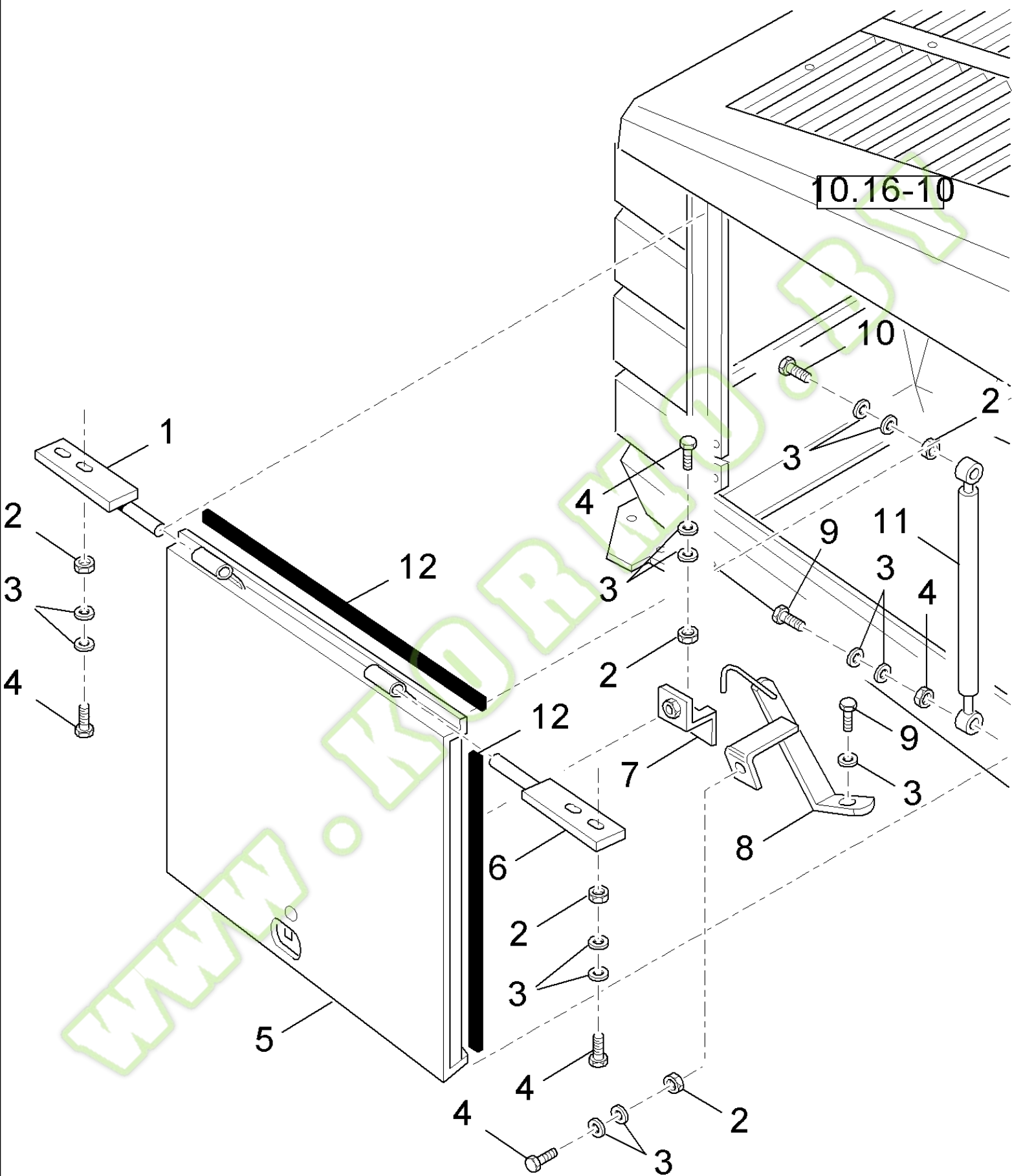
Ref	Part Number	Qty	Description
2	140045	16	WASHER, LOCK, {PP:80140045} Belleville, M10, 10MM
3	100016	7	NUT, {PP:80100016} M10, CI 8, M10
4	89594954	1	LADDER,
5	80120104	9	SCREW, M8X20
6	322358	13	WASHER, LOCK, {PP:80322358} Belleville, M8, 8MM
7	100015	9	NUT, {PP:80100015} M8, CI 8, M8
9	84035246	1	PLATFORM, , D1300-
9	89594955	1	PLATE, CONTACT, , -C0412
10	100067	2	NUT, {PP:80100067} M8 x 1.25", CI 8, M8
11	333962	3	CLAMP, {PP:80333962}
12	120106	1	SCREW, {PP:80120106} Hex, M8 x 40, 8.8, Full Thd, Hex, M8 x 40, 8.8, Full Thd
13	84001737	1	STEP,
14	89594941	1	TUBE,
15	120191	2	BOLT, {PP:80120191} Short NK, M8 x 40, CI8.8, Full Thd, M8X40
1	120109	7	SCREW, {PP:80120109} Hex, M10 x 20, 8.8, Full Thd, M10X20
8	43140	6	BOLT, {PP:80043140} Hex, M10 x 30, 8.8, M10X30



## FX375 NH SELF PROPELLED FORAGE HARVESTER - YELLOW VERSION

## 10.11(01) SHIELDS

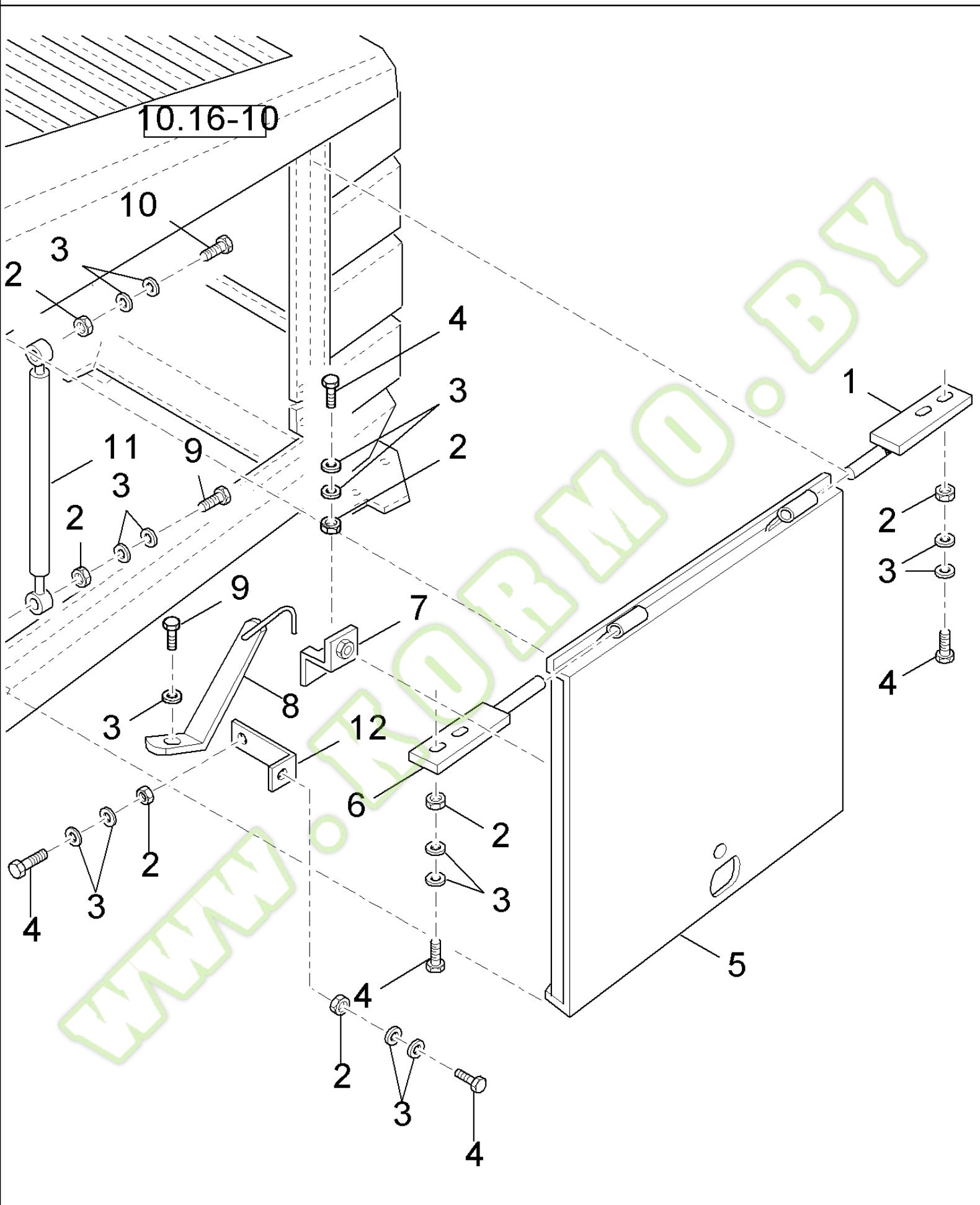
Ref	Part Number	Qty	Description
1	89837236	1	SHIELD,
2	80120104	18	SCREW, M8X20
3	322358	32	WASHER, LOCK, {PP:80322358} Belleville, M8, 8MM
4	100015	18	NUT, {PP:80100015} M8, CI 8, 8MM
5	401502	AR	STRIP, ANTI-SKID, {PP:80401502} 51mm x 18.3 Roll - Cut to Size
6	433314	3	PLUG, {PP:80433314}
7	84002307	1	HANDRAIL,
8	140045	1	WASHER, LOCK, {PP:80140045} Belleville, M10, 10MM
9	84002323	1	GUARD, , -C0412
9	84035311	1	GUARD, , D1300-
10	84002326	1	PLATE, , -C0412
10	84035312	1	PLATE, , D1300-
11	9831581	1	LOCK, {PP:89831581}
12	9514605	1	RING, LOCKING, {PP:89514605}
13	100016	1	NUT, {PP:80100016} M10, CI 8, M10



## FX375 NH SELF PROPELLED FORAGE HARVESTER - YELLOW VERSION

10.14(01) SHIELDS, RH

Ref	Part Number	Qty	Description
1	89812798	1	HINGE,
2	100015	7	NUT, {PP:80100015} M8, CI 8, M8
3	322358	17	WASHER, LOCK, {PP:80322358} Belleville, M8, 8MM
4	80120104	7	SCREW, M8X20
5	84001225	1	SHIELD,
6	89812799	1	HINGE,
7	84015292	1	LOCK,
8	84001909	1	SUPPORT,
9	43128	2	SCREW, {PP:80043128} Hex, M8 x 30, 8.8, Cap, HH, CL 8.8, M8 x 1.25 x 30
10	120106	1	SCREW, {PP:80120106} Hex, M8 x 40, 8.8, Full Thd, Hex, M8 x 40, 8.8, Full Thd
11	84015664	1	SHOCK ABSORBER,
12	84056062	AR	SEAL PROTECTION, L=6000MM

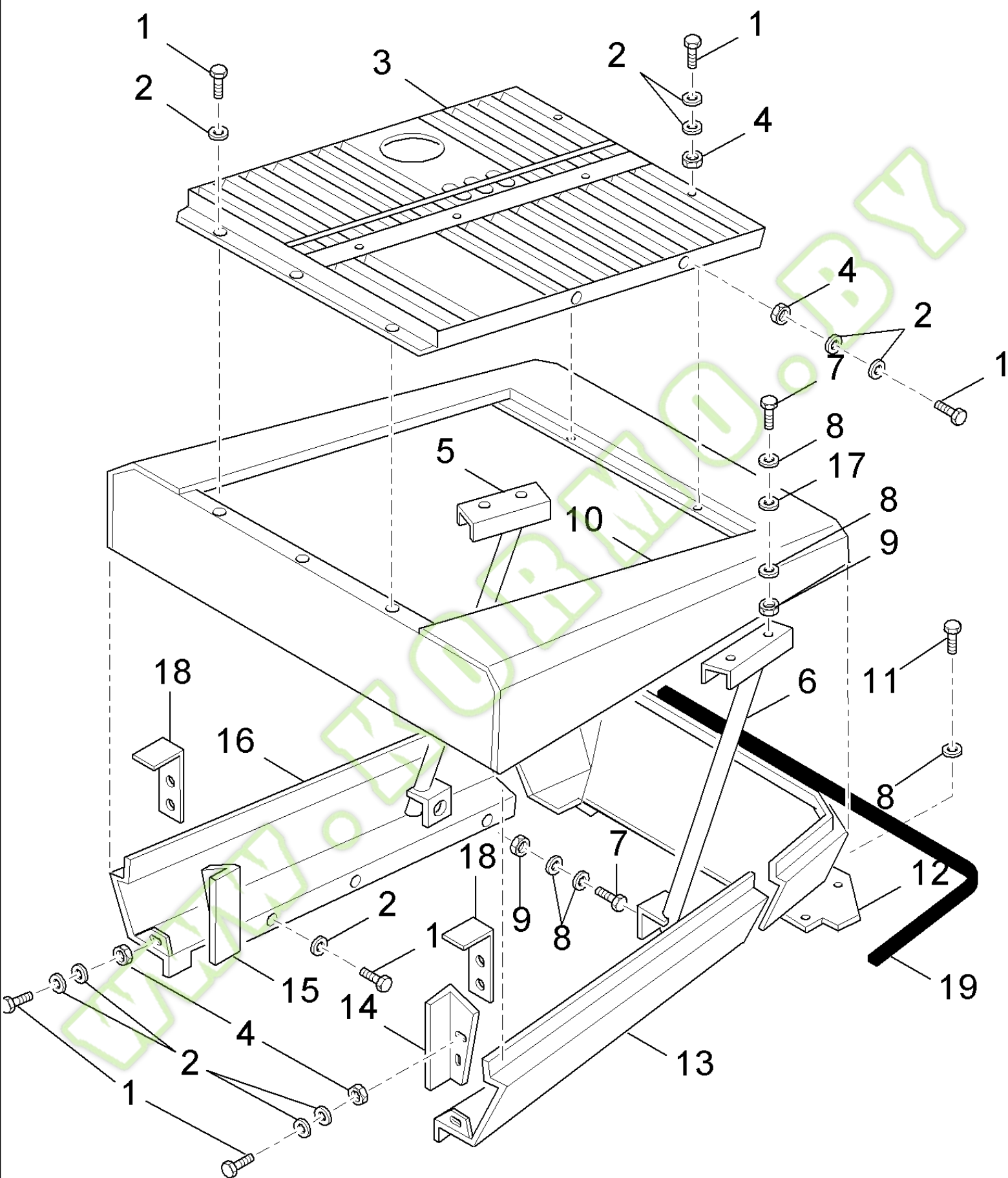




## FX375 NH SELF PROPELLED FORAGE HARVESTER - YELLOW VERSION

10.15(01) SHIELDS, LH

Ref	Part Number	Qty	Description
1	89812798	1	HINGE,
2	100015	8	NUT, {PP:80100015} M8, CI 8, M8
3	322358	19	WASHER, LOCK, {PP:80322358} Belleville, M8, 8MM
4	80120104	8	SCREW, M8X20
5	89812809	1	SHIELD,
6	89812799	1	HINGE,
7	84015292	1	LOCK,
8	84001908	1	SUPPORT,
9	43128	2	SCREW, {PP:80043128} Hex, M8 x 30, 8.8, Cap, HH, CL 8.8, M8 x 1.25 x 30
10	120106	1	SCREW, {PP:80120106} Hex, M8 x 40, 8.8, Full Thd, Hex, M8 x 40, 8.8, Full Thd
11	84015664	1	SHOCK ABSORBER,
12	84035131	1	BRACKET, , D1000-

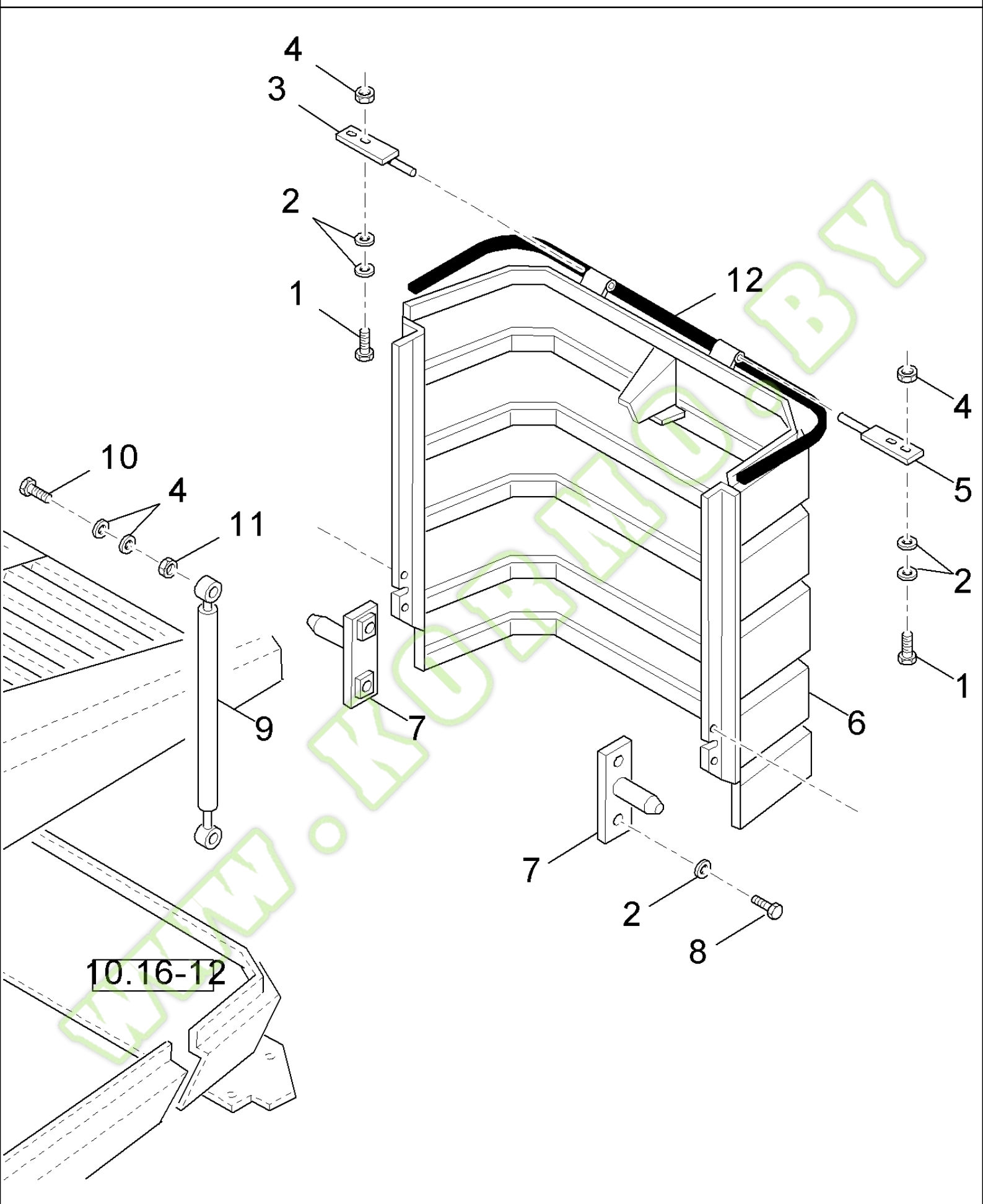


## FX375 NH SELF PROPELLED FORAGE HARVESTER - YELLOW VERSION

## 10.16(01) SHIELDS: ENGINE

Ref	Part Number	Qty	Description
1	80120104	21	SCREW, M8X20
2	322358	33	WASHER, LOCK, {PP:80322358} Belleville, M8, 8MM
3	84001903	1	COVER, , -C0412
3	84035337	1	COVER, , D1300-
4	100015	12	NUT, {PP:80100015} M8, CI 8, M8
5	89812796	1	SUPPORT,
6	89812797	1	SUPPORT,
8	140045	20	WASHER, LOCK, {PP:80140045} Belleville, M10, 10MM
9	100016	6	NUT, {PP:80100016} M10, CI 8, 10MM
10	89812824	1	COVER,
12	84035429	1	GUARD,
13	84001904	1	PROFILE,
14	84001920	1	BRACKET, , -C0409
15	84001921	1	BRACKET, , -C0409
16	84001905	1	PROFILE,
17	378244	AR	WASHER, LOCK, {PP:80378244} 10MM
18	84035131	2	BRACKET, , D1300-
19	84056062	AR	SEAL PROTECTION, L=6000MM
11	120109	6	SCREW, {PP:80120109} Hex, M10 x 20, 8.8, Full Thd, M10X20
7	43140	6	BOLT, {PP:80043140} Hex, M10 x 30, 8.8, M10X30

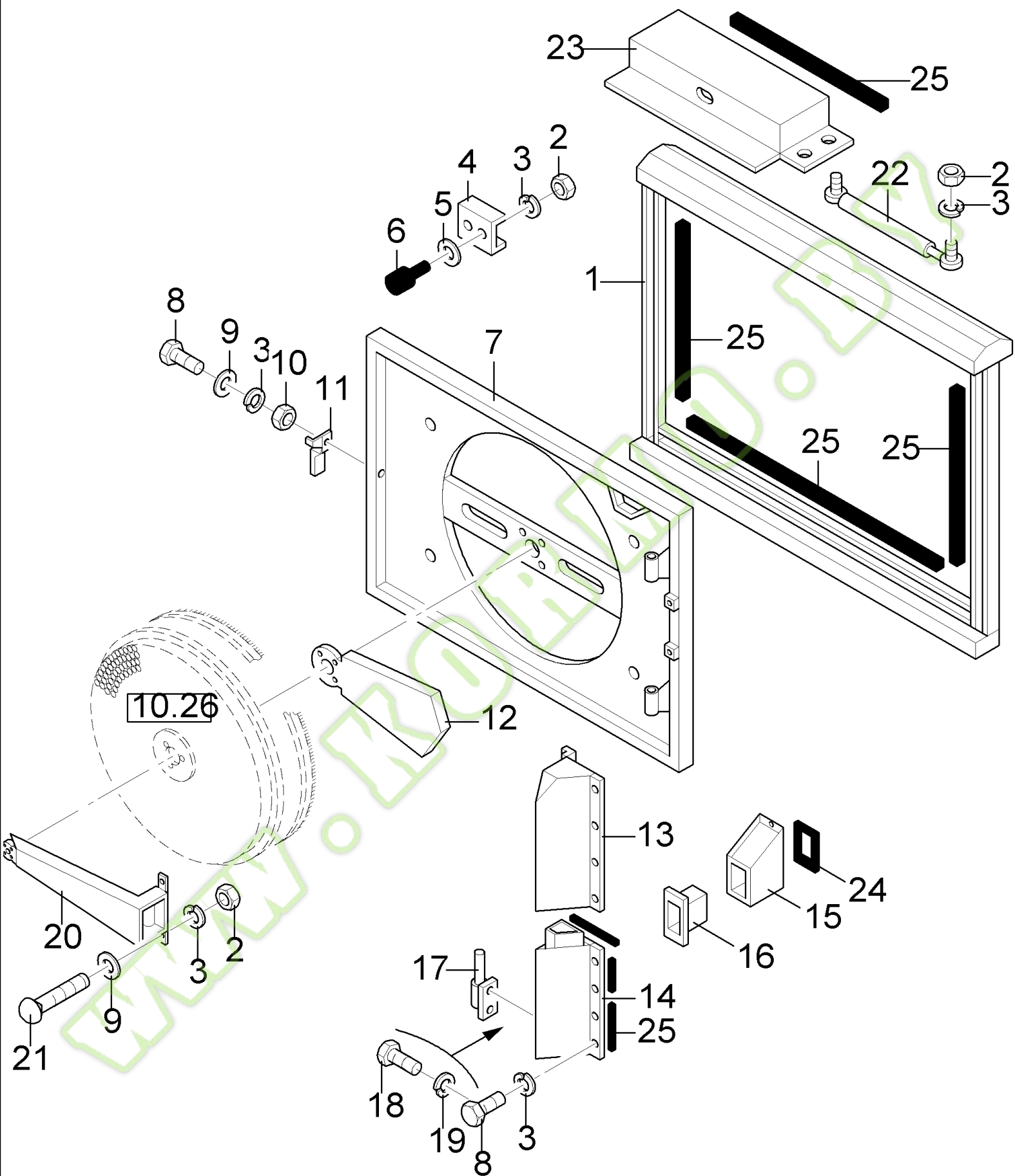
10.17(01) REAR SHIELDS



## FX375 NH SELF PROPELLED FORAGE HARVESTER - YELLOW VERSION

## 10.17(01) REAR SHIELDS

Ref	Part Number	Qty	Description
1	80120104	4	SCREW, M8X20
2	322358	10	WASHER, LOCK, {PP:80322358} Belleville, M8, 8MM
3	89812799	1	HINGE,
4	100015	4	NUT, {PP:80100015} M8, CI 8, M8
5	89812798	1	HINGE,
6	89812807	1	GUARD,
7	84001228	2	BRACKET,
9	89814770	1	SHOCK ABSORBER,
10	43128	2	SCREW, {PP:80043128} Hex, M8 x 30, 8.8, Cap, HH, CL 8.8, M8 x 1.25 x 30
11	100067	2	NUT, {PP:80100067} M8 x 1.25", CI 8, M8
12	84056062	AR	SEAL PROTECTION, L=6000MM
8	16043224	4	SCREW, Hex, M8 x 16, 8.8, Full Thd, M8X16



## FX375 NH SELF PROPELLED FORAGE HARVESTER - YELLOW VERSION

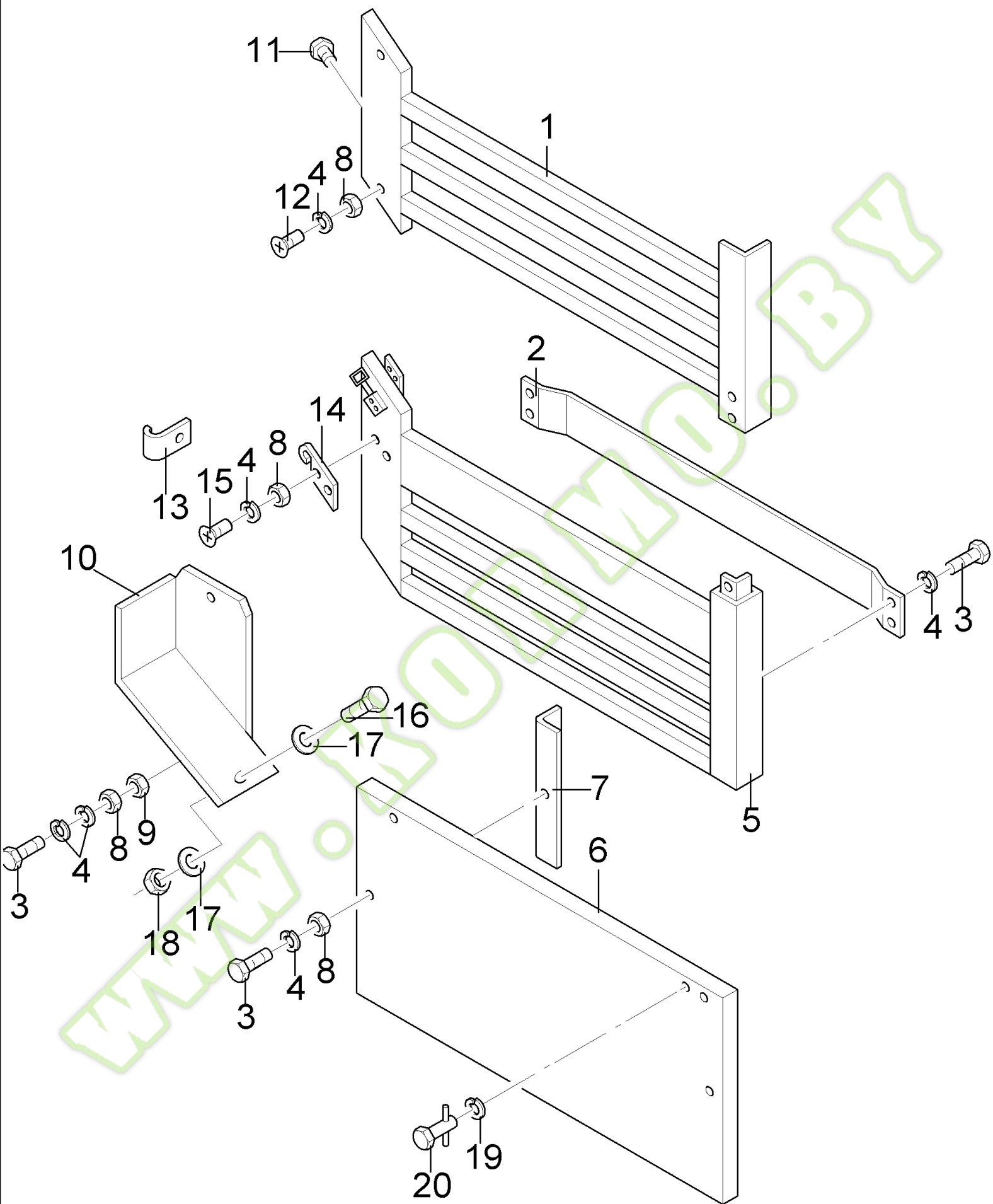
10.18(01) ROTARY SCREEN: SHIELDS, LH

Ref	Part Number	Qty	Description
1	89837237	1	FRAME,
2	100015	9	NUT, {PP:80100015} M8, CI 8, M8
3	322358	14	WASHER, LOCK, {PP:80322358} Belleville, M8, 8MM
4	84022302	2	SUPPORT,
5	140042	AR	WASHER, LOCK, {PP:80140042} M10 x 34 x 3, 10MM
6	84023516	2	SHOCK ABSORBER,
7	84021243	1	DOOR,
8	80120104	6	SCREW, M8X20
9	378243	3	WASHER, {PP:80378243} 8MM
10	100067	1	NUT, {PP:80100067} M8 x 1.25", CI 8, M8
11	84021276	1	HANDLE,
12	84022904	1	SHIELD,
13	84023360	1	SUPPORT,
14	84023343	1	SUPPORT,
15	84023015	1	TUBE, RIGID,
16	84023238	1	CASE,
17	84021281	2	HINGE,
19	140045	4	WASHER, LOCK, {PP:80140045} Belleville, M10, 10MM
20	84022270	1	DUCT, AIR, , -C0405
20	84031690	1	DUCT, AIR, , D0600-
21	120037	2	BOLT, {PP:80120037} Short NK, M8 x 20, CI8.8, Full Thd, M8X20
22	9812214	1	SHOCK ABSORBER, {PP:89812214}
23	84002372	1	PLATE, , D0600-
24	84056063	AR	SEAL PROTECTION, L=6000MM
25	84056062	AR	SEAL PROTECTION, L=6000MM
18	43140	4	BOLT, {PP:80043140} Hex, M10 x 30, 8.8, M10X30

ONLY VALID UNTIL SERIAL NO. --12999



10.19(01) ROTARY SCREEN: SHIELDS, LH



ONLY VALID UNTIL SERIAL NO. --12999



## FX375 NH SELF PROPELLED FORAGE HARVESTER - YELLOW VERSION

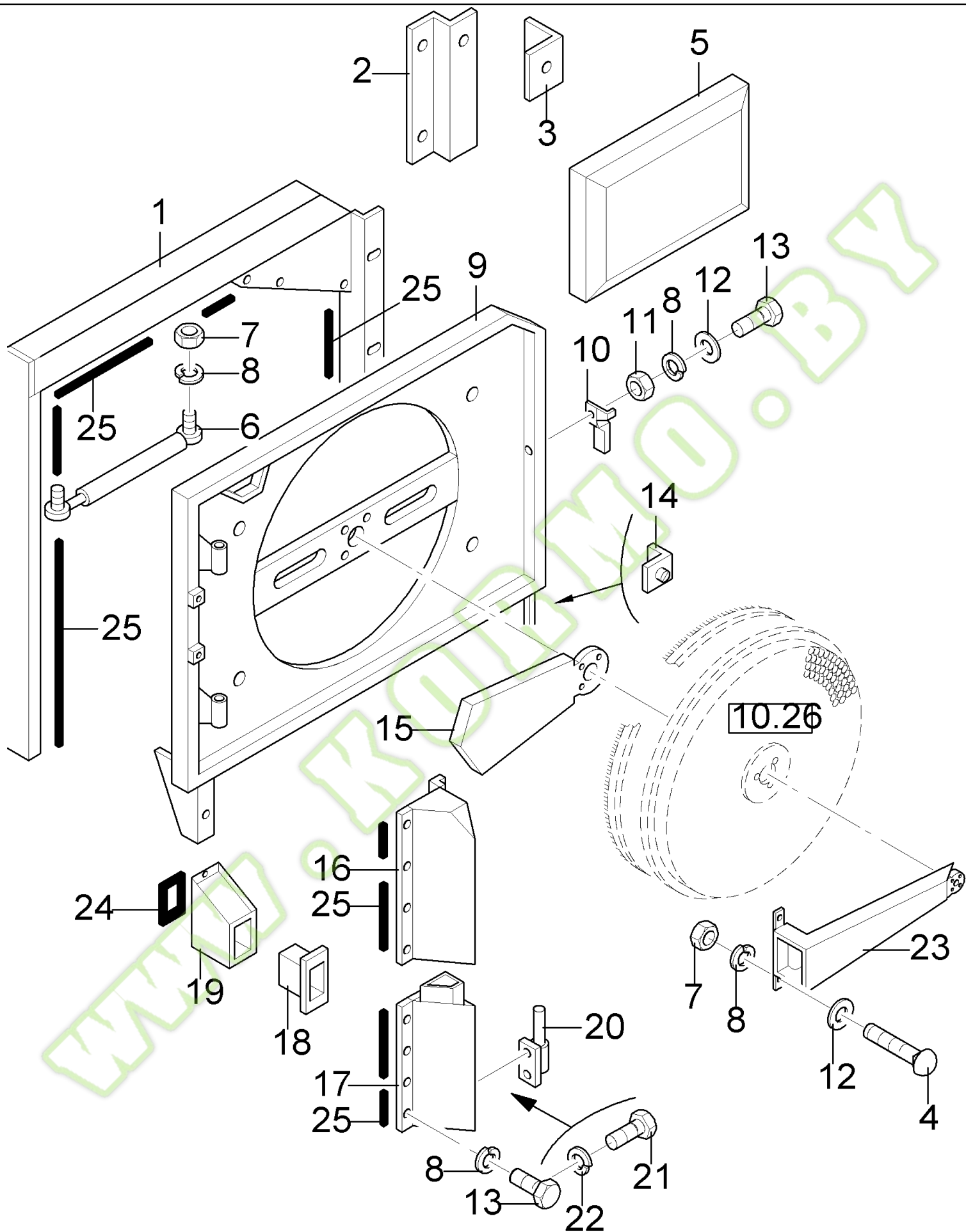
10.19(01) ROTARY SCREEN: SHIELDS, LH

Ref	Part Number	Qty	Description
1	84031765	1	DOOR,
2	84023560	1	SUPPORT, , -C0405
3	80120104	10	SCREW, M8X20
4	322358	20	WASHER, LOCK, {PP:80322358} Belleville, M8, 8MM
5	84031766	1	DOOR,
6	89812538	1	SHIELD,
7	84002727	2	BRACKET,
8	100015	8	NUT, {PP:80100015} M8, CI 8, M8
9	100067	2	NUT, {PP:80100067} M8 x 1.25", CI 8, M8
10	84002392	1	PLATE, COVER,
11	331233	AR	PLUG, {PP:80331233}
12	120037	2	BOLT, {PP:80120037} Short NK, M8 x 20, CI8.8, Full Thd, M8X10
13	84023193	1	HOOK,
14	84023084	1	HOOK,
15	412495	2	SCREW, {PP:80412495} Hex Soc Flat Hd, M8 x 20, 8.8, M8X20
16	120100	1	BOLT, {PP:80120100} Hex, M6 x 20, 8.8, M6X20
17	322357	2	WASHER, LOCK, {PP:80322357} Belleville, M6, Belleville, M6
18	100004	1	NUT, WING, {PP:80100004} M6
19	9514605	AR	RING, LOCKING, {PP:89514605} , D0900-
20	89514603	AR	LOCK, , D0900-

ONLY VALID UNTIL SERIAL NO. --12999



10.20(01) ROTARY SCREEN: SHIELDS, RH



ONLY VALID UNTIL SERIAL NO. --12999

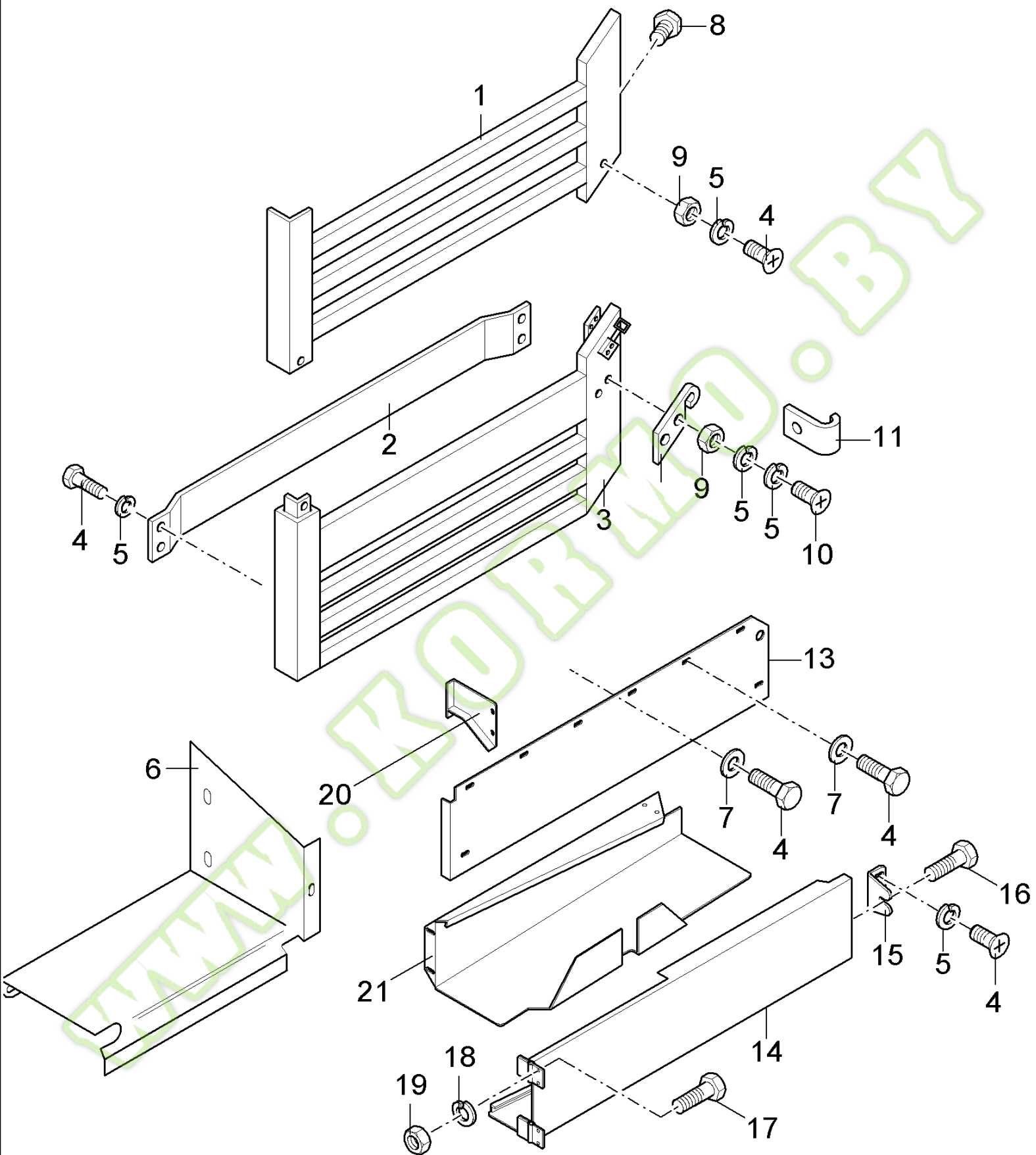
## FX375 NH SELF PROPELLED FORAGE HARVESTER - YELLOW VERSION

## 10.20(01) ROTARY SCREEN: SHIELDS, RH

Ref	Part Number	Qty	Description
1	89837262	1	SUPPORT,
2	84002398	1	BRACKET,
3	84002396	1	BRACKET,
4	120037	2	BOLT, {PP:80120037} Short NK, M8 x 20, CI8.8, Full Thd, M8X20
5	84002404	1	COVER,
6	9812214	1	SHOCK ABSORBER, {PP:89812214}
7	100015	9	NUT, {PP:80100015} M8, CI 8, M8
8	322358	9	WASHER, LOCK, {PP:80322358} Belleville, M8, 8MM
9	84021534	1	DOOR,
10	84023022	1	HANDLE,
11	100067	1	NUT, {PP:80100067} M8 x 1.25", CI 8, M8
12	378243	AR	WASHER, {PP:80378243} 8MM
13	80120104	7	SCREW, M8X20
14	84015292	1	LOCK,
15	84022904	1	SHIELD,
16	84023072	1	SUPPORT,
17	84023201	1	SUPPORT,
18	84023238	1	CASE,
19	84023015	1	TUBE, RIGID,
20	84021282	2	HINGE,
22	140045	4	WASHER, LOCK, {PP:80140045} Belleville, M10, 10MM
23	84022270	1	DUCT, AIR, , -C0405
23	84031690	1	DUCT, AIR, , D0600-
24	84056063	AR	SEAL PROTECTION, L=6000MM
25	84056062	AR	SEAL PROTECTION, L=6000MM
21	43140	4	BOLT, {PP:80043140} Hex, M10 x 30, 8.8, M10X30

ONLY VALID UNTIL SERIAL NO. --12999





## FX375 NH SELF PROPELLED FORAGE HARVESTER - YELLOW VERSION

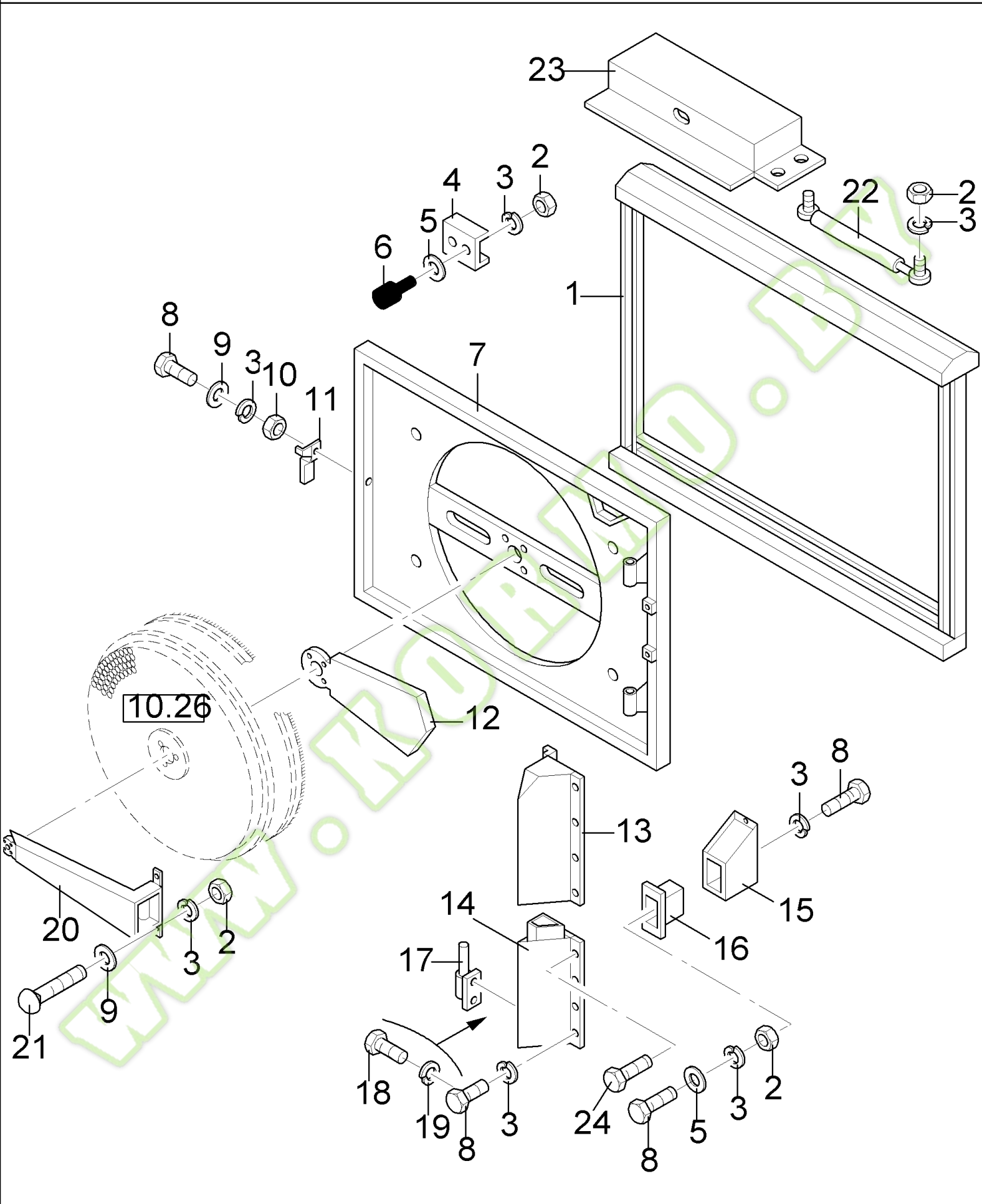
10.21(01) ROTARY SCREEN: SHIELDS, RH

Ref	Part Number	Qty	Description
1	84031767	1	DOOR,
2	84023561	1	SUPPORT, , -C0405
3	84031768	1	DOOR,
4	80120104	AR	SCREW, M8X20
5	322358	AR	WASHER, LOCK, {PP:80322358} Belleville, M8, 8MM
6	84021510	1	PLATE, COVER, , -C0409
7	378243	6	WASHER, {PP:80378243} 8MM
8	331233	AR	PLUG, {PP:80331233}
9	100015	4	NUT, {PP:80100015} M8, CI 8, M8
10	120037	2	BOLT, {PP:80120037} Short NK, M8 x 20, CI8.8, Full Thd, M8X20
11	84023193	1	HOOK,
12	84023085	1	HOOK,
13	84039179	1	PLATE, , D1000-
14	84039141	1	DOOR, , D1000-
15	84039117	1	SUPPORT, , D1000-
16	381014	1	SCREW, SELF TAPPING, {PP:80381014} M8X16, D1000-
17	300580	4	SCREW, {PP:80300580} Hex Flat Hd, M6 x 16, 4.8, , D1000-
18	322357	4	WASHER, LOCK, {PP:80322357} Belleville, M6, Belleville, M6, D1000-
19	9706755	4	NUT, {PP:89706755} M6, CI 8, M6, D1000-
20	84039120	1	GUARD, , D1000-
21	84039142	1	PLATE, COVER, , D1000-

ONLY VALID UNTIL SERIAL NO. --12999



10.22(01) ROTARY SCREEN: SHIELDS, LH



ONLY VALID FROM SERIAL NO. --13001

## FX375 NH SELF PROPELLED FORAGE HARVESTER - YELLOW VERSION

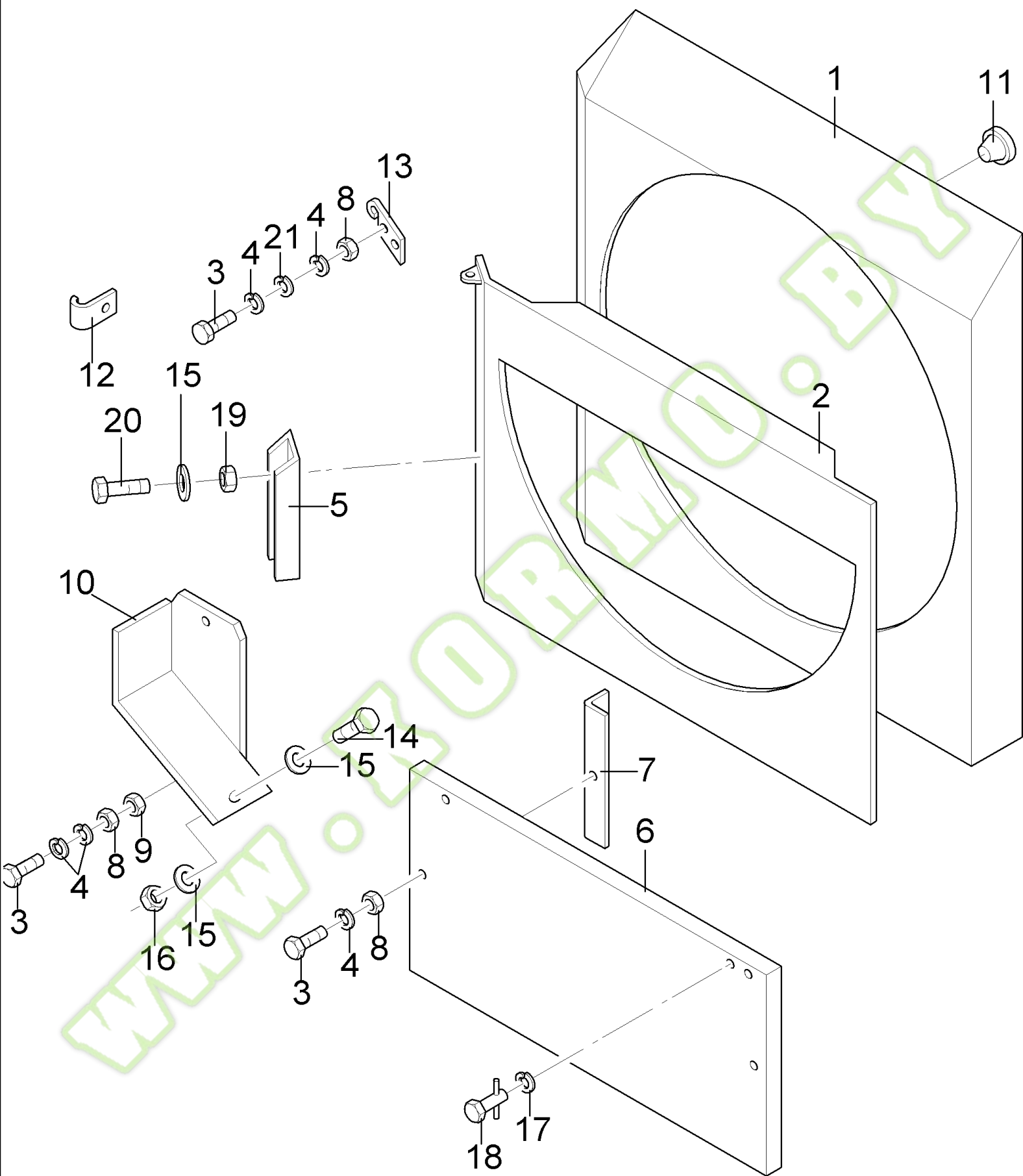
10.22(01) ROTARY SCREEN: SHIELDS, LH

Ref	Part Number	Qty	Description
1	89837237	1	FRAME,
2	100015	9	NUT, {PP:80100015} M8, CI 8, M8
3	322358	14	WASHER, LOCK, {PP:80322358} Belleville, M8, 8MM
4	84022302	2	SUPPORT,
5	140042	AR	WASHER, LOCK, {PP:80140042} M10 x 34 x 3, 10MM
6	84023516	2	SHOCK ABSORBER,
7	84021243	1	DOOR,
8	80120104	6	SCREW, M8X20
9	378243	3	WASHER, {PP:80378243} 8MM
10	100067	1	NUT, {PP:80100067} M8 x 1.25", CI 8, M8
11	84021276	1	HANDLE,
12	84022904	1	SHIELD,
13	84023360	1	SUPPORT,
14	84023343	1	SUPPORT,
15	84023015	1	TUBE, RIGID,
16	84023238	1	CASE,
17	84021281	2	HINGE,
19	140045	4	WASHER, LOCK, {PP:80140045} Belleville, M10, 10MM
20	84031690	1	DUCT, AIR,
21	120037	2	BOLT, {PP:80120037} Short NK, M8 x 20, CI8.8, Full Thd, M8X20
22	9812214	1	SHOCK ABSORBER, {PP:89812214}
23	84002372	1	PLATE, , D0600-
24	381014	3	SCREW, SELF TAPPING, {PP:80381014}
18	43140	4	BOLT, {PP:80043140} Hex, M10 x 30, 8.8, M10X30

ONLY VALID FROM SERIAL NO. --13001



10.23(01) ROTARY SCREEN: SHIELDS, LH



ONLY VALID FROM SERIAL NO. --13001



## FX375 NH SELF PROPELLED FORAGE HARVESTER - YELLOW VERSION

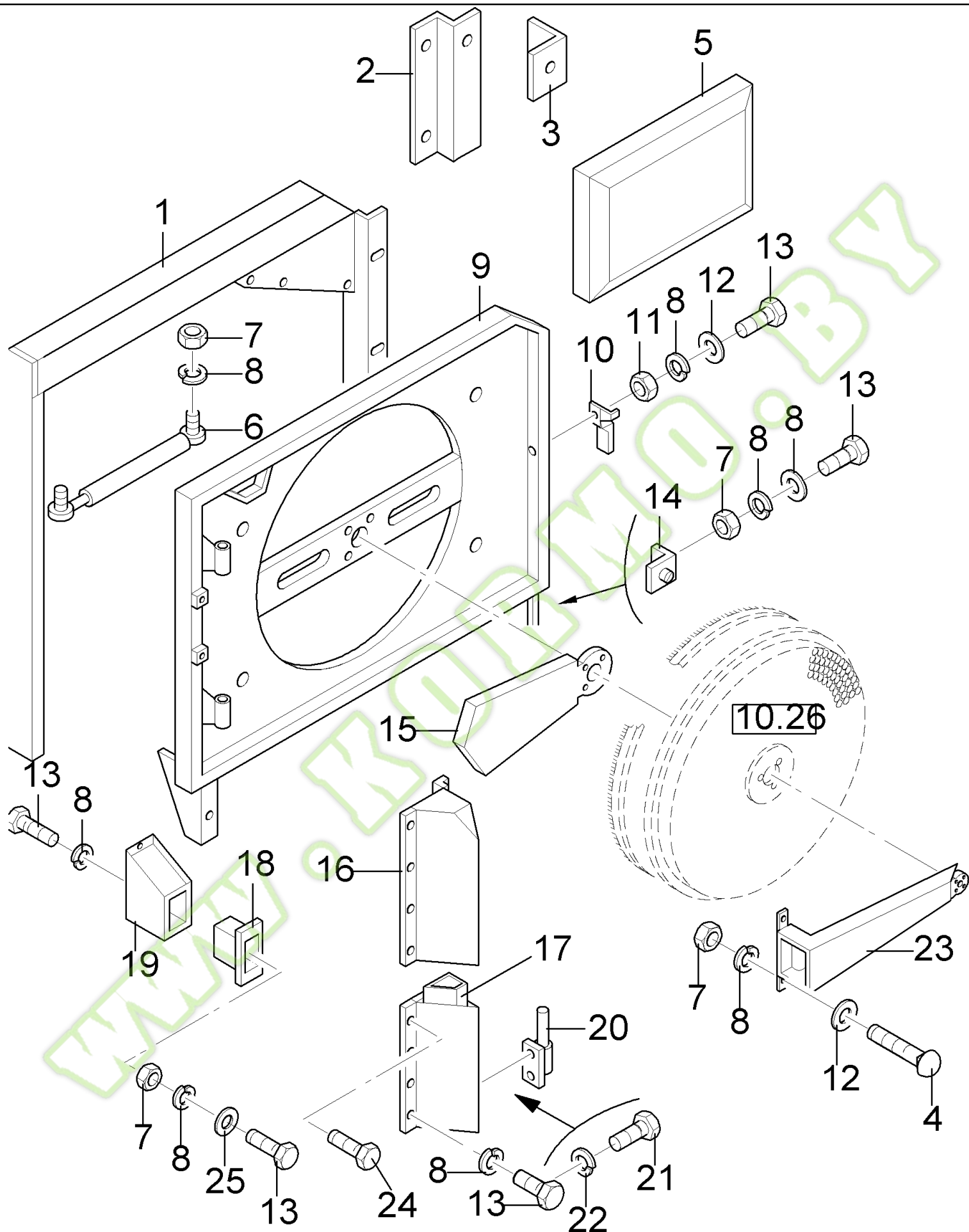
## 10.23(01) ROTARY SCREEN: SHIELDS, LH

Ref	Part Number	Qty	Description
1	84036934	1	DOOR,
2	84037298	1	DOOR,
3	80120104	10	SCREW, M8X20
4	322358	20	WASHER, LOCK, {PP:80322358} Belleville, M8, 8MM
5	89837395	1	HANDLE,
6	84035494	1	SHIELD,
7	84002727	2	BRACKET,
8	100015	8	NUT, {PP:80100015} M8, CI 8, M8
9	100067	2	NUT, {PP:80100067} M8 x 1.25", CI 8, M8
10	84002392	1	PLATE, COVER,
11	331233	AR	PLUG, {PP:80331233}
12	84023193	1	HOOK,
13	84023084	1	HOOK,
14	120100	1	BOLT, {PP:80120100} Hex, M6 x 20, 8.8, M6X20
15	322357	2	WASHER, LOCK, {PP:80322357} Belleville, M6, Belleville, M6
16	100004	1	NUT, WING, {PP:80100004} M6
17	9514605	AR	RING, LOCKING, {PP:89514605}
18	89514603	AR	LOCK,
19	9706755	2	NUT, {PP:89706755} M6, CI 8, M6
20	80120099	2	SCREW, Hex, M6 x 16, 8.8, M6X16
21	378243	4	WASHER, {PP:80378243}

ONLY VALID FROM SERIAL NO. --13001



10.24(01) ROTARY SCREEN: SHIELDS, RH



ONLY VALID FROM SERIAL NO. --13001

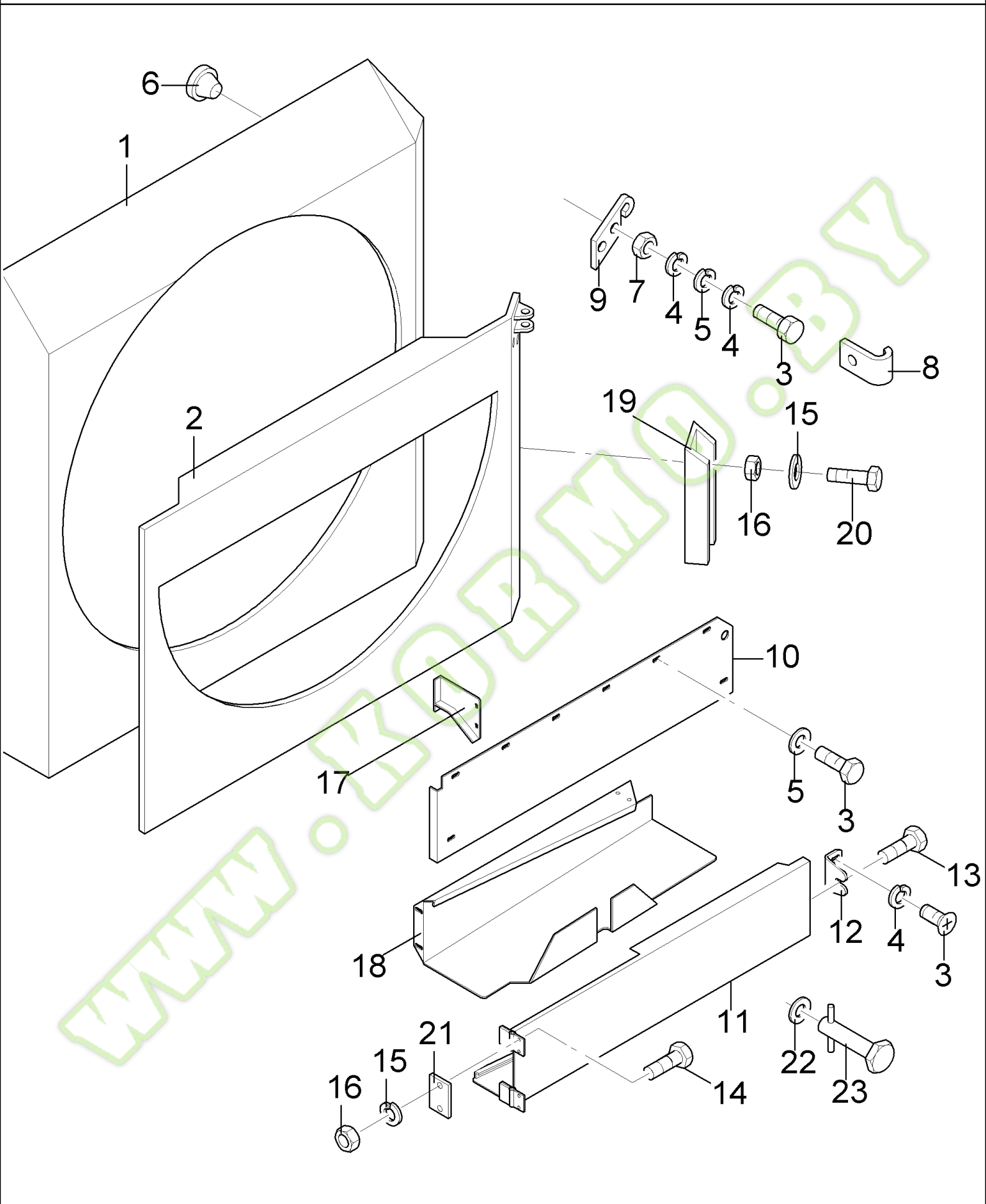
## FX375 NH SELF PROPELLED FORAGE HARVESTER - YELLOW VERSION

10.24(01) ROTARY SCREEN: SHIELDS, RH

Ref	Part Number	Qty	Description
1	89837262	1	SUPPORT,
2	84002398	1	BRACKET,
3	84002396	1	BRACKET,
4	120037	2	BOLT, {PP:80120037} Short NK, M8 x 20, CI8.8, Full Thd, M8X20
5	84002404	1	COVER,
6	9812214	1	SHOCK ABSORBER, {PP:89812214}
7	100015	9	NUT, {PP:80100015} M8, CI 8, M8
8	322358	9	WASHER, LOCK, {PP:80322358} Belleville, M8, 8MM
9	84021534	1	DOOR,
10	84023022	1	HANDLE,
11	100067	1	NUT, {PP:80100067} M8 x 1.25", CI 8, M8
12	378243	AR	WASHER, {PP:80378243} 8MM
13	80120104	7	SCREW, M8X20
14	84015292	1	LOCK,
15	84022904	1	SHIELD,
16	84023072	1	SUPPORT,
17	84023201	1	SUPPORT,
18	84023238	1	CASE,
19	84023015	1	TUBE, RIGID,
20	84021282	2	HINGE,
22	140045	4	WASHER, LOCK, {PP:80140045} Belleville, M10, 10MM
23	84031690	1	DUCT, AIR,
24	381014	3	SCREW, SELF TAPPING, {PP:80381014}
25	140042	2	WASHER, LOCK, {PP:80140042} M10 x 34 x 3,
21	43140	4	BOLT, {PP:80043140} Hex, M10 x 30, 8.8, M10X30

ONLY VALID FROM SERIAL NO. --13001





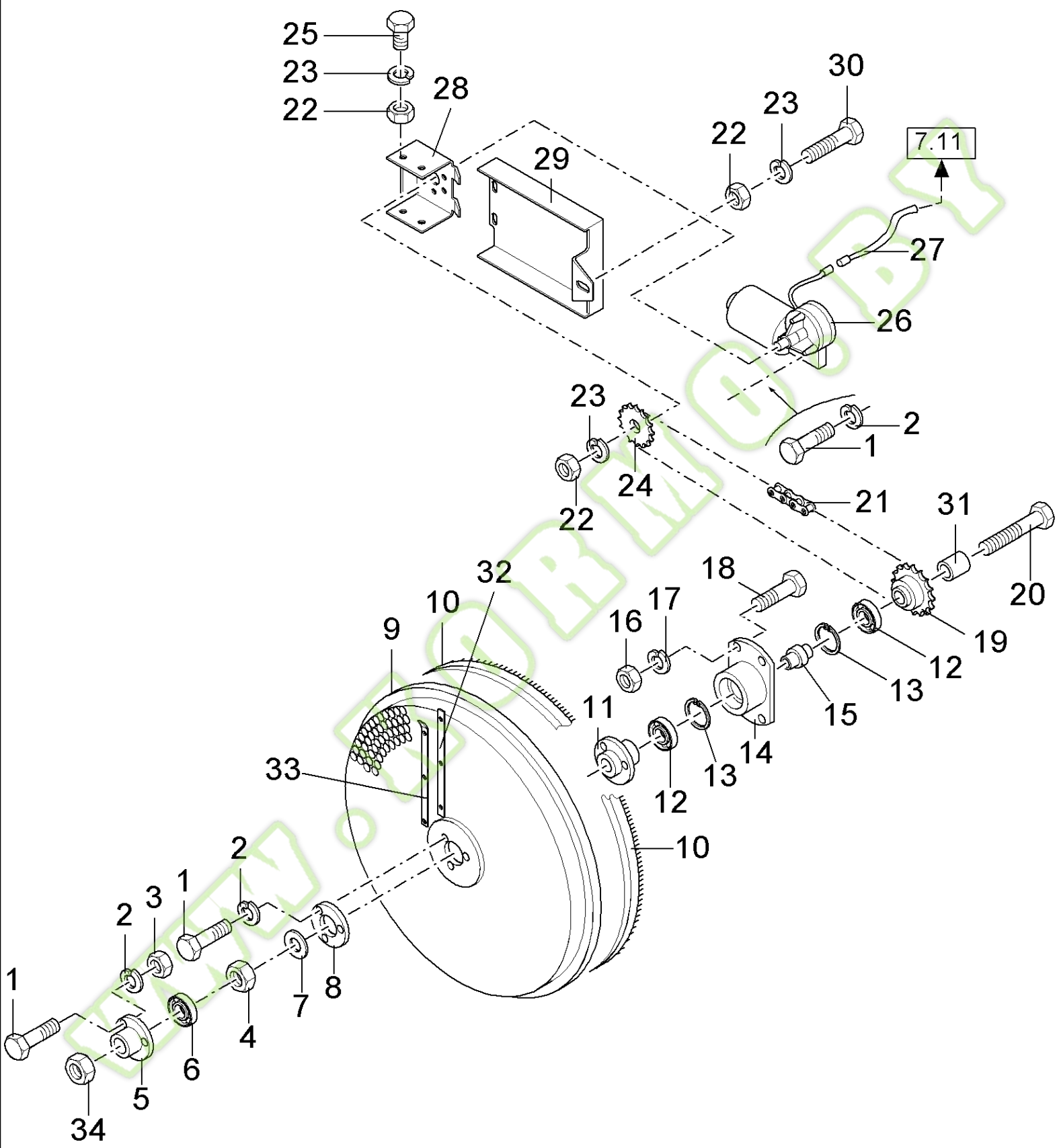
## FX375 NH SELF PROPELLED FORAGE HARVESTER - YELLOW VERSION

10.25(01) ROTARY SCREEN: SHIELDS, RH

Ref	Part Number	Qty	Description
1	84036935	1	DOOR,
2	84037300	1	DOOR,
3	80120104	AR	SCREW, M8X20
4	322358	AR	WASHER, LOCK, {PP:80322358} Belleville, M8, 8MM
5	378243	6	WASHER, {PP:80378243} 8MM
6	331233	AR	PLUG, {PP:80331233}
7	100015	4	NUT, {PP:80100015} M8, CI 8, M8
8	84023193	1	HOOK,
9	84023085	1	HOOK,
10	84039179	1	PLATE,
11	84039141	1	DOOR, , -C1013
11	84045351	1	DOOR, , D1400-
12	84039117	1	SUPPORT, , -C1013
12	84045338	1	SUPPORT, , D1400-
13	381014	1	SCREW, SELF TAPPING, {PP:80381014} M8X16
14	300580	4	SCREW, {PP:80300580} Hex Flat Hd, M6 x 16, 4.8,
15	322357	4	WASHER, LOCK, {PP:80322357} Belleville, M6, Belleville, M6
16	9706755	4	NUT, {PP:89706755} M6, CI 8, M6
17	84039120	1	GUARD,
18	84039142	1	PLATE, COVER,
19	89837395	1	HANDLE,
20	80120099	2	SCREW, Hex, M6 x 16, 8.8, M6X16
21	84045345	2	PLATE, COVER, , D1400-
22	9514605	1	RING, LOCKING, {PP:89514605} , D1400-
23	89514603	1	LOCK, , D1400-

ONLY VALID FROM SERIAL NO. --13001





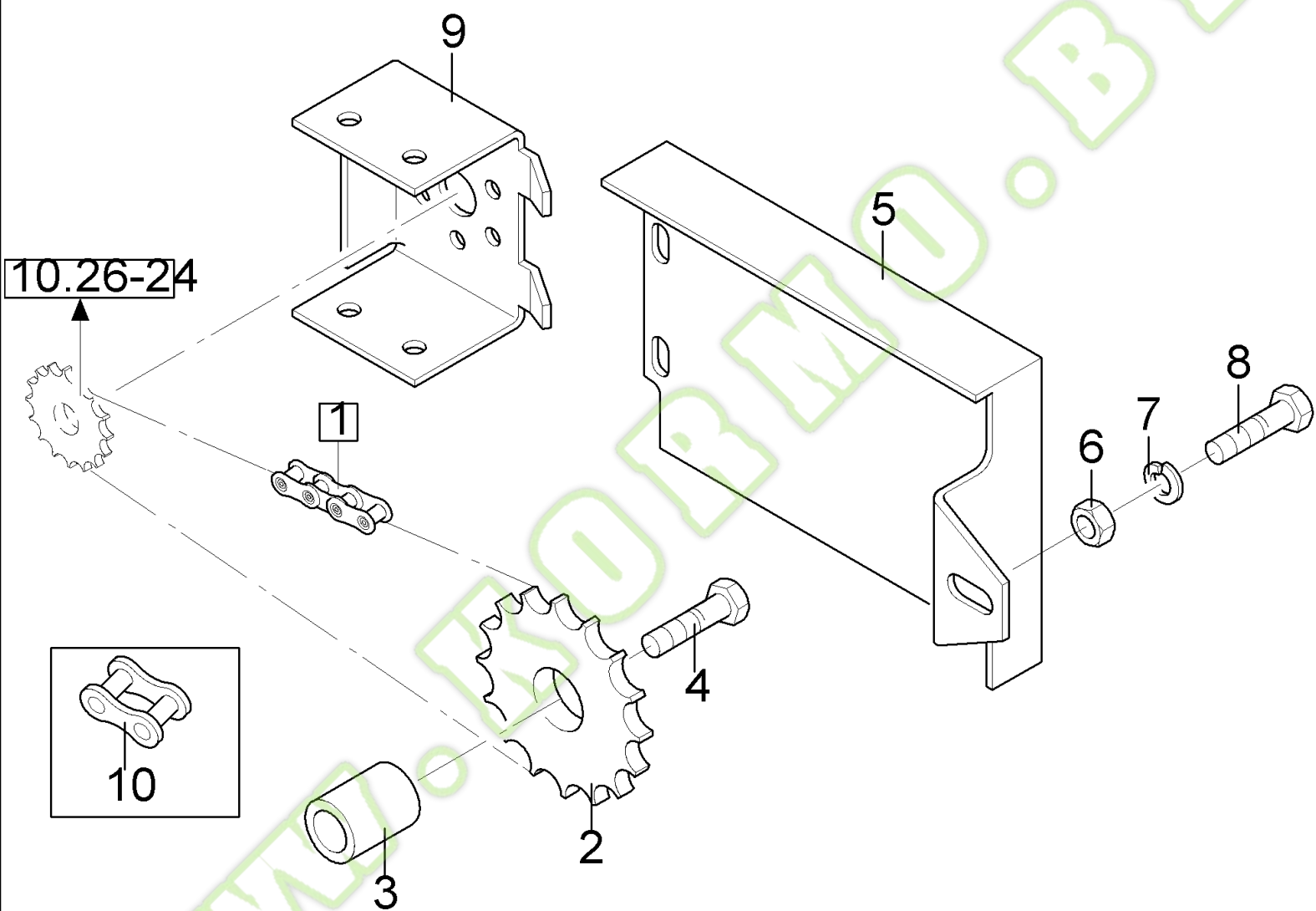
## FX375 NH SELF PROPELLED FORAGE HARVESTER - YELLOW VERSION

## 10.26(01) ROTARY SCREEN: DRIVE

Ref	Part Number	Qty	Description
1	80120099	24	SCREW, Hex, M6 x 16, 8.8, M6X16
2	322357	24	WASHER, LOCK, {PP:80322357} Belleville, M6, Belleville, M6
3	9706755	6	NUT, {PP:89706755} M6, CI 8, M6
4	100095	2	NUT, {PP:80100095} Thin, M16 x 2, CI 04, M16
5	365018	2	FLANGE, {PP:80365018}
6	362804	2	BEARING, BALL, {PP:80362804}
7	140048	2	WASHER, LOCK, {PP:80140048} Belleville, M16, 16MM
8	753576	2	SUPPORT, {PP:80753576}
9	84031688	2	SCREEN,
10	84041694	2	BRUSH,
11	84021441	2	HUB,
12	443898	4	BEARING ASSY, {PP:80443898}
13	370011	4	CIRCLIP, {PP:80370011}
14	84021443	2	HOUSING, BEARING,
15	84017221	2	BUSHING,
16	100016	8	NUT, {PP:80100016} M10, CI 8, M10
17	140045	8	WASHER, LOCK, {PP:80140045} Belleville, M10, 10MM
19	84041168	2	SPROCKET, DRIVEN,
20	392531	2	BOLT, {PP:80392531} Hex, M16 x 130, 10.9, M16X130
21	84041170	2	CHAIN,
22	100015	10	NUT, {PP:80100015} M8, CI 8, M8
23	322358	10	WASHER, LOCK, {PP:80322358} Belleville, M8, 8MM
24	84026005	2	SPROCKET, DRIVEN,
25	120037	4	BOLT, {PP:80120037} Short NK, M8 x 20, CI8.8, Full Thd, M8X20
26	84038950	2	MOTOR, ELECTRIC,
27	84002282	1	HARNESS, WIRE,
28	84041166	2	SUPPORT,
29	84041942	1	SHIELD, RH
29	84041943	1	SHIELD, LH
30	80120104	10	SCREW, M8X20
31	84041177	2	BUSHING,
32	84042331	2	PLATE, COVER,
33	84043603	2	PLATE, RETAINING,
34	100039	2	NUT, {PP:80100039} M16 x 2, CI 8, M16
18	43140	8	BOLT, {PP:80043140} Hex, M10 x 30, 8.8, M10X30

FOR FX300/9630 ONLY VALID FROM SERIAL NO. --13001







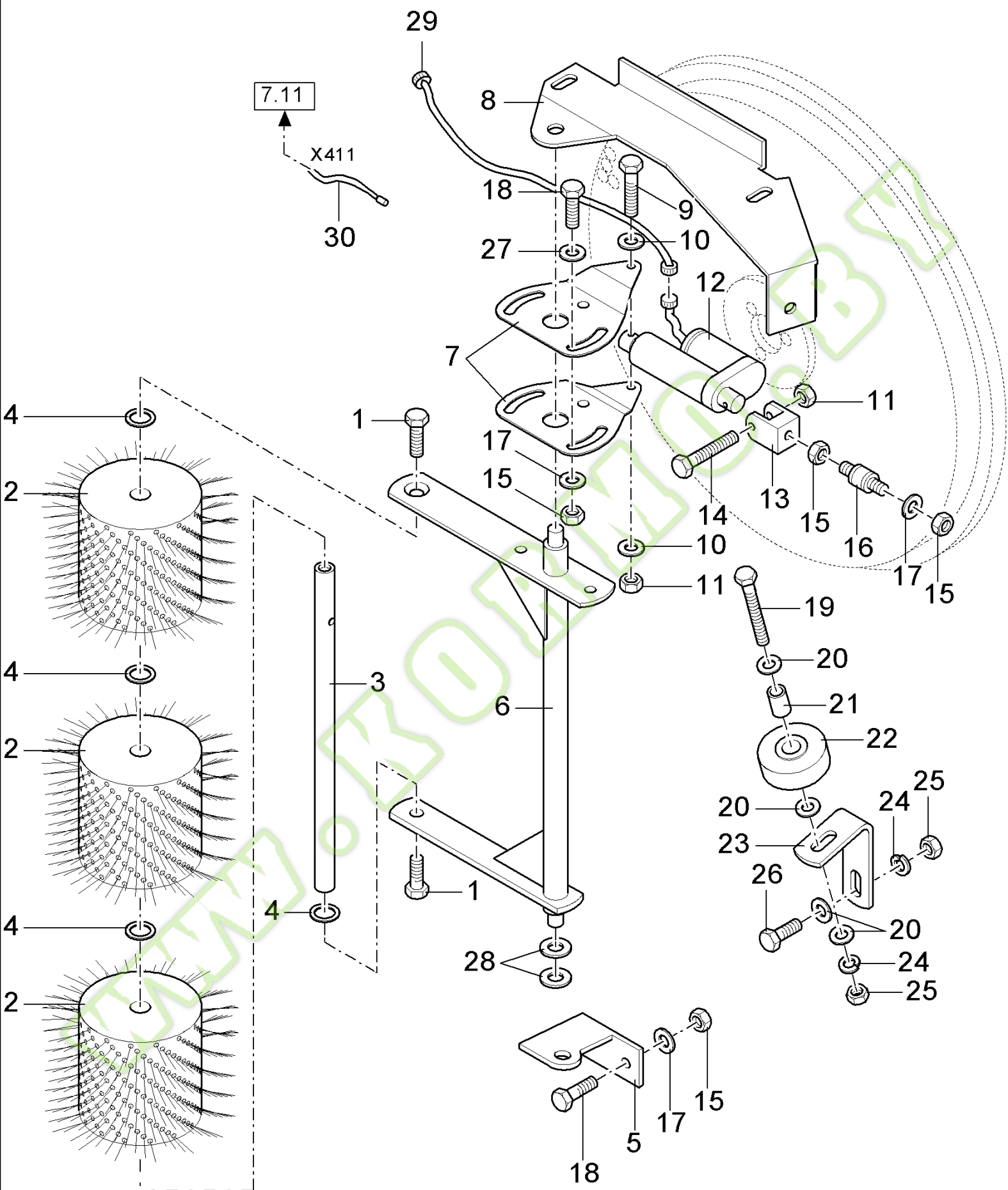
## FX375 NH SELF PROPELLED FORAGE HARVESTER - YELLOW VERSION

10.27(01) ROTARY SCREEN: LOW RPM

Ref	Part Number	Qty	Description
1	84041170	2	CHAIN,
2	84041168	2	SPROCKET, DRIVEN,
3	84041177	2	BUSHING,
4	120251	2	SCREW, {PP:80120251} Hex, M16 x 170, 8.8,
5	84041942	1	SHIELD, RH
5	84041943	1	SHIELD, LH
6	100015	10	NUT, {PP:80100015} M8, CI 8, M8
7	322358	10	WASHER, LOCK, {PP:80322358} Belleville, M8, 8MM
8	80120104	10	SCREW, M8X20
9	84041166	2	SUPPORT,
10	362816	1	CONNECTOR, HYD., {PP:80362816}

WWW.KORMO.BY

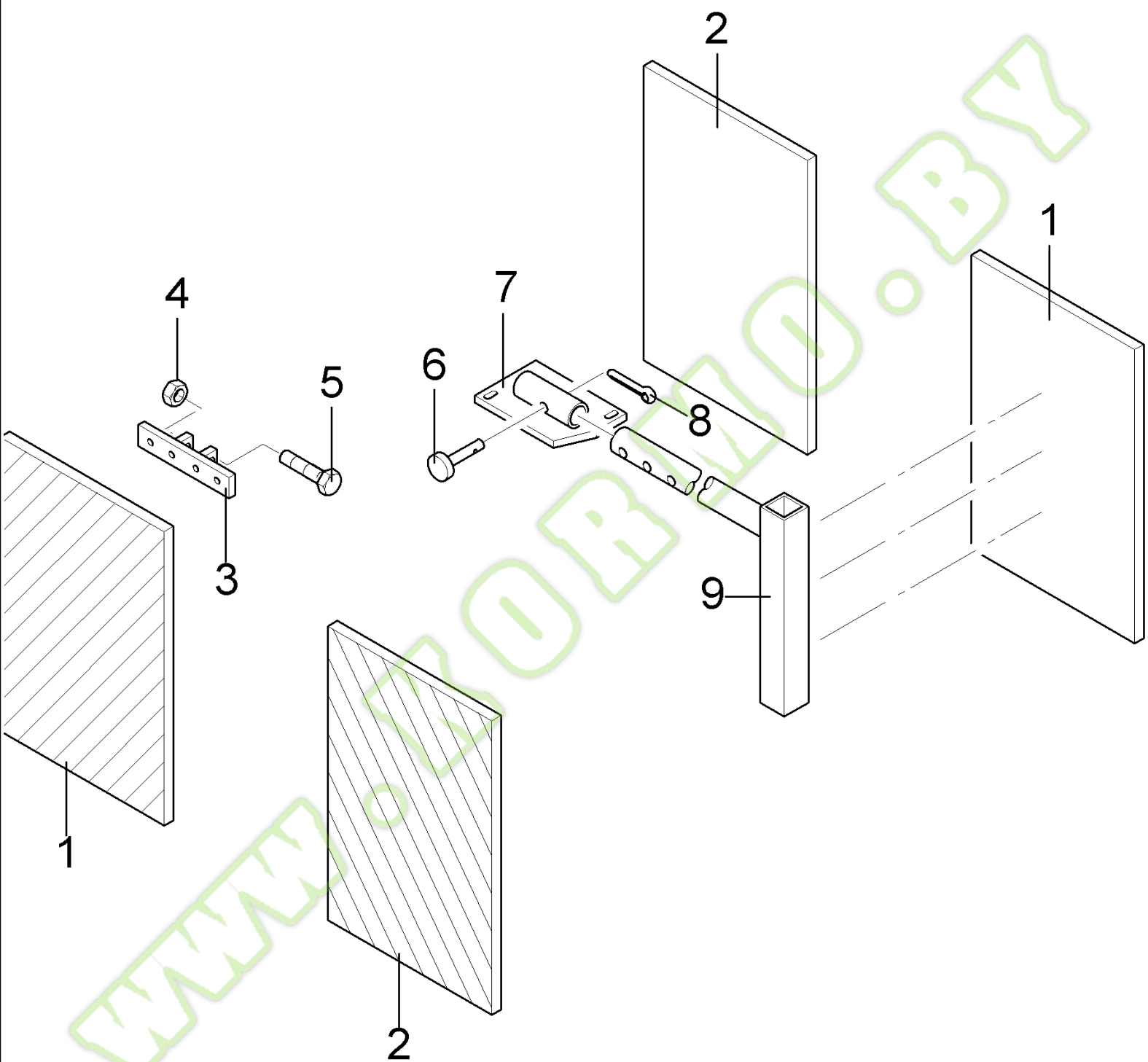
10.28(01) CLEANING BRUSH



## FX375 NH SELF PROPELLED FORAGE HARVESTER - YELLOW VERSION

## 10.28(01) CLEANING BRUSH

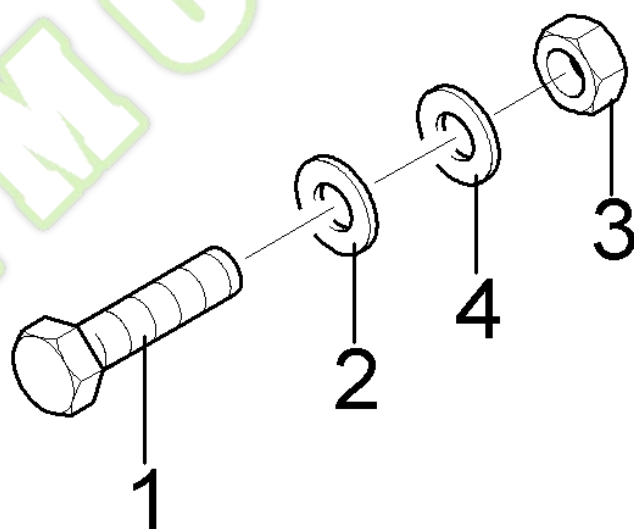
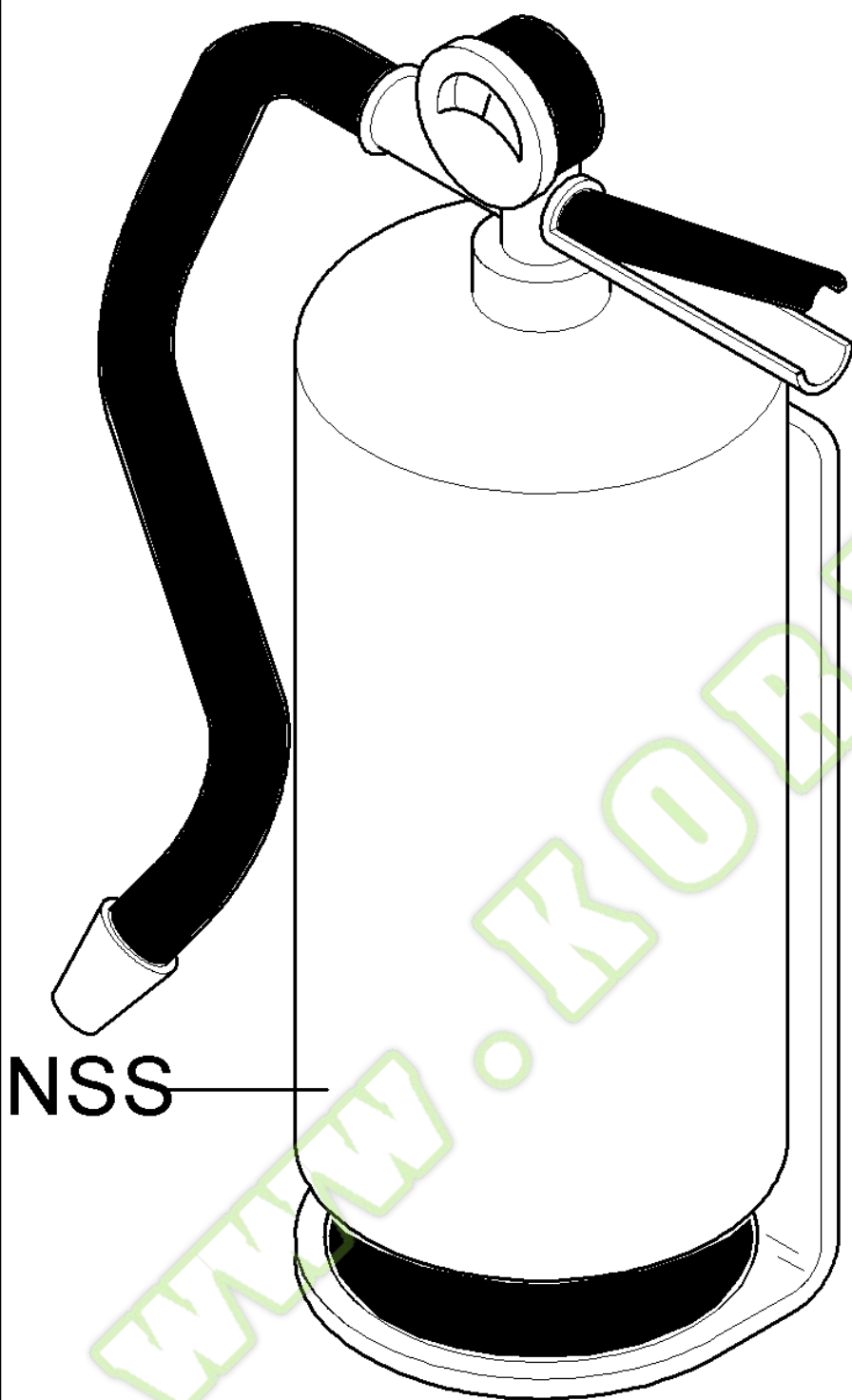
Ref	Part Number	Qty	Description
1	393698	4	SCREW, {PP:80393698} Hex Soc Flat Hd, M10 x 25, 8.8,
2	84041623	6	BRUSH,
3	84032419	2	SHAFT,
4	84042957	6	WASHER,
5	84032417	2	BRACKET,
6	84032410	2	SUPPORT,
7	84041713	4	PLATE, COVER,
8	84041739	1	SUPPORT, LH
8	84041740	1	SUPPORT, RH
9	120056	2	SCREW, {PP:80120056} Hex, M6 x 50, 8.8, M6X50
10	140015	4	WASHER, {PP:80140015} 6MM
11	353308	4	NUT, {PP:80353308} M6 x 1, CI 8, M6
12	84036177	2	ACTUATOR,
13	84026054	2	SUPPORT,
14	80120102	2	SCREW, M6X40
15	100015	14	NUT, {PP:80100015} M8, CI 8, M8
16	393802	2	SHOCK ABSORBER, {PP:80393802}
17	322358	12	WASHER, LOCK, {PP:80322358} Belleville, M8, 8MM
18	80120104	10	SCREW, M8X20
19	120069	4	SCREW, {PP:80120069} Hex, M10 x 50, 8.8, M10X50
20	378244	16	WASHER, LOCK, {PP:80378244} 10MM
21	921989	4	SPACER, {PP:80921989}
22	84041753	4	ROLLER,
23	84041762	4	BRACKET,
24	140045	8	WASHER, LOCK, {PP:80140045} Belleville, M10, 10MM
25	100016	8	NUT, {PP:80100016} M10, CI 8, M10
27	378243	6	WASHER, {PP:80378243} 8MM
28	378245	AR	WASHER, {PP:80378245} 12MM
29	84035513	1	HARNESS, WIRE,
30	84035381	1	HARNESS, WIRE,
26	120109	4	SCREW, {PP:80120109} Hex, M10 x 20, 8.8, Full Thd, M10X20



## 11.01(01) HAZARD WARNING PLATES

Ref	Part Number	Qty	Description
1	84014756	2	PLATE,
2	84014755	2	PLATE,
3	84021411	4	SUPPORT,
4	100067	4	NUT, {PP:80100067} M8 x 1.25", CI 8, M8
5	120060	4	SCREW, {PP:80120060} Hex, M8 x 50, 8.8, M8X50
6	390040	2	PIN, {PP:80390040}
7	84021383	1	SUPPORT, LH
7	84021384	1	SUPPORT, RH
8	370539	2	PIN, SPLIT (COTTER), {PP:80370539}
9	84021387	2	SUPPORT,

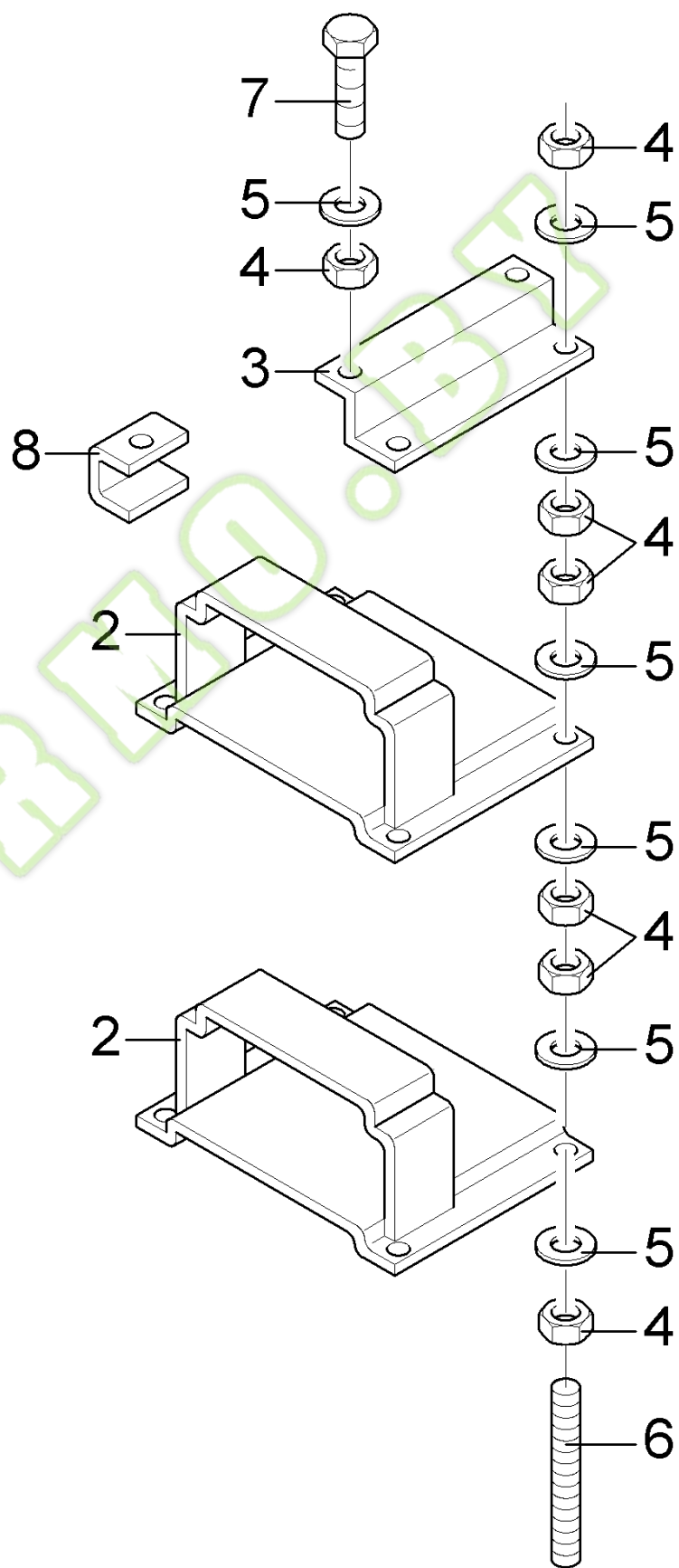
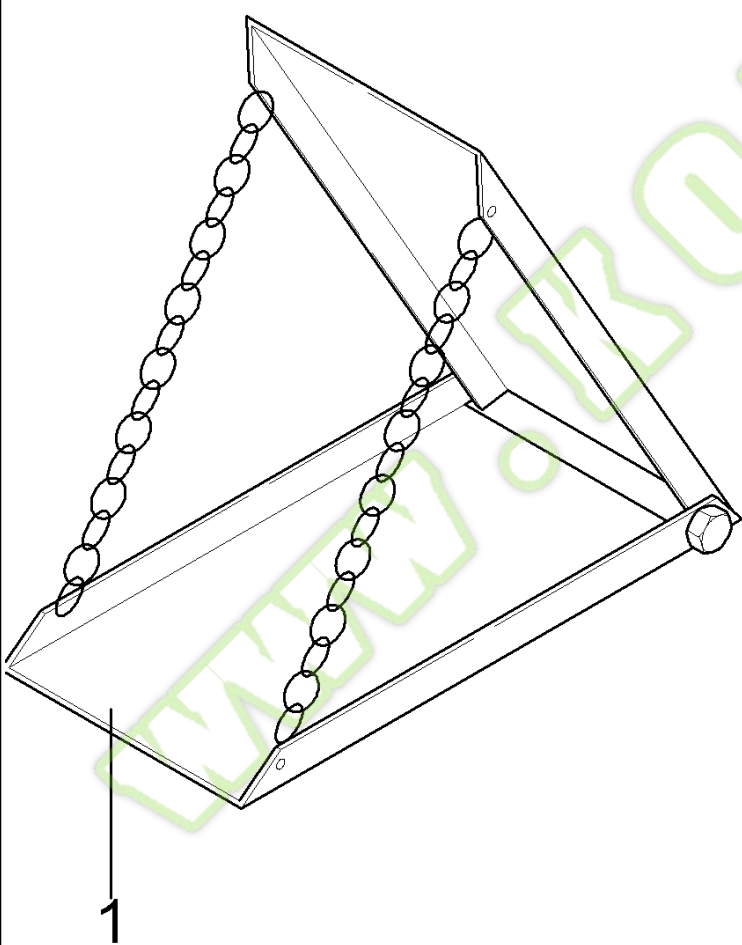
WWW.KORMO.BY



## 11.02(01) FIRE EXTINGUISHER

Ref	Part Number	Qty	Description
1	80120104	4	SCREW, M8X20, D1300-
1	80300383	4	SCREW, M10X16, -C0412
2	140016	4	WASHER, {PP:80140016} M8 x 16 x 1.6, 8MM, D1300-
2	140045	4	WASHER, LOCK, {PP:80140045} Belleville, M10, 10MM, -C0412
3	100015	4	NUT, {PP:80100015} M8, CI 8, M8, D1300-
3	100016	4	NUT, {PP:80100016} M10, CI 8, M10, -C0412
4	412650	4	WASHER, LOCK, {PP:80412650} Belleville, M8, , D1300-

WWW.KORMO.BY





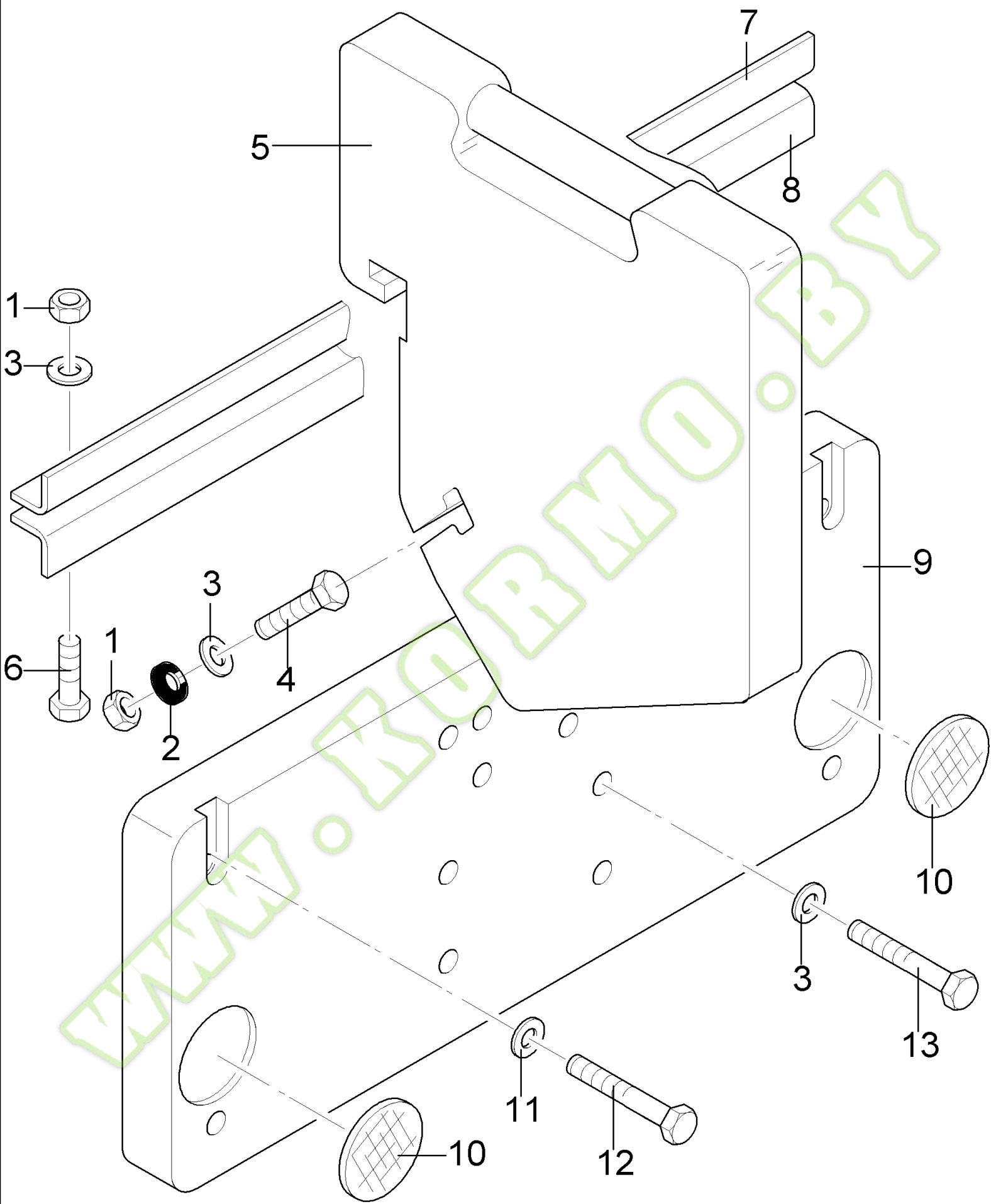
## FX375 NH SELF PROPELLED FORAGE HARVESTER - YELLOW VERSION

11.03(01) CHOCK

Ref	Part Number	Qty	Description
1	452769	2	WHEEL CHOCK, {PP:80452769}
2	452770	2	CLAMP, {PP:80452770}
3	84019403	2	SUPPORT,
4	100016	26	NUT, {PP:80100016} M10, CI 8, M10
5	140045	26	WASHER, LOCK, {PP:80140045} Belleville, M10, 10MM
6	84019483	4	ROD,
7	120041	2	BOLT, {PP:80120041} Short NK, M10 x 20, CI8.8, Full Thd, M10X20
8	84018986	4	SUPPORT,

WWW.KORMO.BY

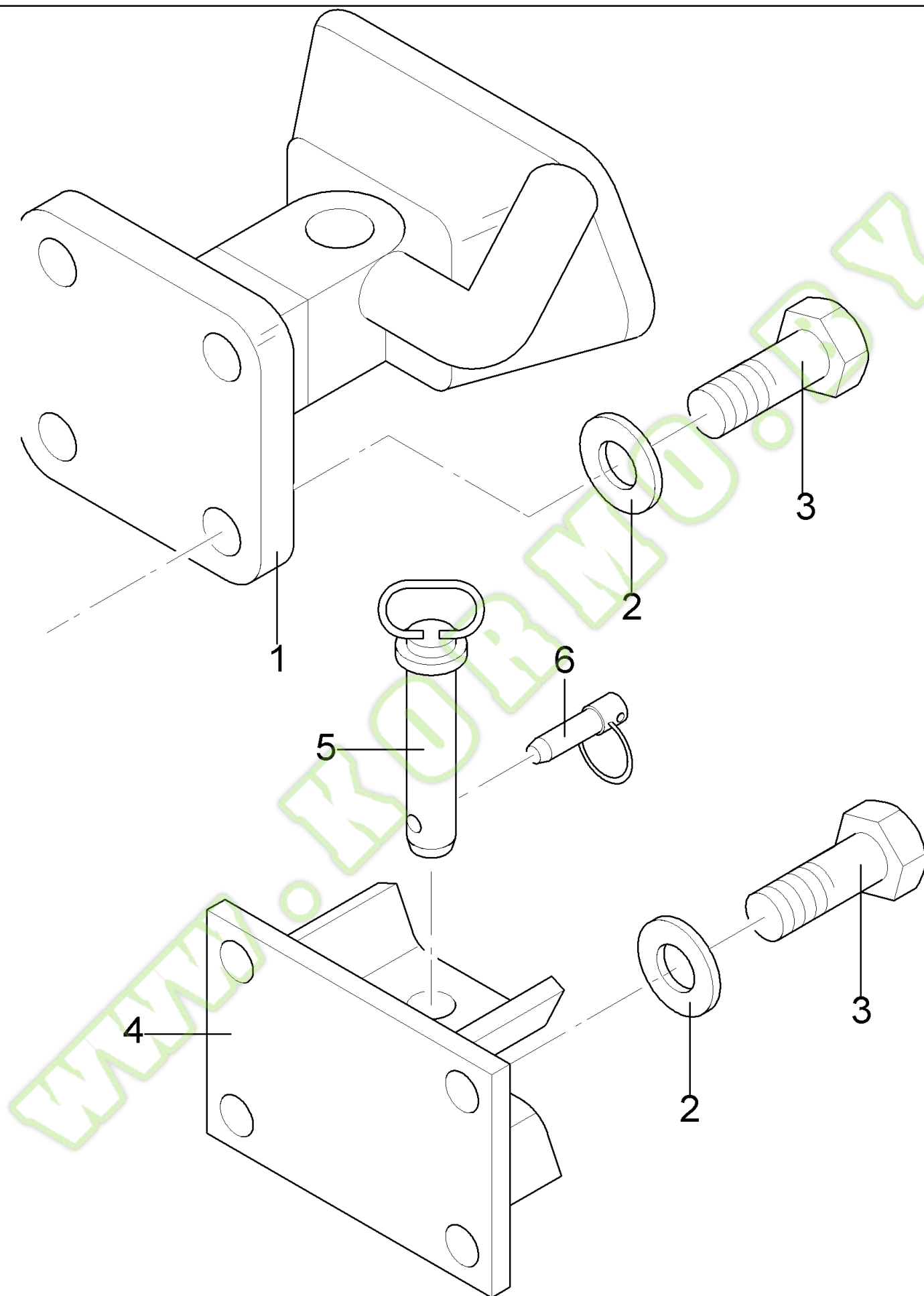
11.04(01) COUNTERWEIGHTS



## FX375 NH SELF PROPELLED FORAGE HARVESTER - YELLOW VERSION

## 11.04(01) COUNTERWEIGHTS

Ref	Part Number	Qty	Description
1	100020	1	NUT, {PP:80100020} M16, CI 8, M16, CI 8
2	451743	1	WASHER, {PP:80451743} , -C0405
2	84017220	1	WASHER, , D0600-
3	140048	8	WASHER, LOCK, {PP:80140048} Belleville, M16, 16MM
4	385923	1	SCREW, {PP:80385923} Hex, M16 x 55, 8.8, Full Thd, Hex, M16 x 55, 8.8, Full Thd
5	86516384	AR	WEIGHT, , FOR FX300-375-450 ONLY
5	85003250	AR	WEIGHT, ADVANCE DEVICE, , FOR 9630-9640-9645 ONLY
6	120090	3	SCREW, {PP:80120090} Hex, M16 x 50, 8.8, Hex, M16 x 50, 8.8
7	84042046	1	PROFILE,
8	84042047	1	PROFILE,
9	84002129	1	WEIGHT, ADVANCE DEVICE, , FOR K4500 AND 600N8X ONLY
10	437024	2	REFLECTOR, LAMP, {PP:80437024} , FOR K4500 AND 600N8X ONLY
11	322359	4	WASHER, LOCK, {PP:80322359} Belleville, M20, 20MM, FOR K4500 AND 600N8X ONLY
12	412427	4	SCREW, {PP:80412427} Hex, M20 x 130, 8.8, M20X130, FOR K4500 AND 600N8X ONLY
12	84056367	4	SCREW, Hex, M20 x 280, 8.8, M20 x 300
13	80334967	4	SCREW, M16X140, FOR K4500 AND 600N8X ONLY
13	84056369	4	SCREW, Hex, M16 x 300, 8.8, M16 x 320

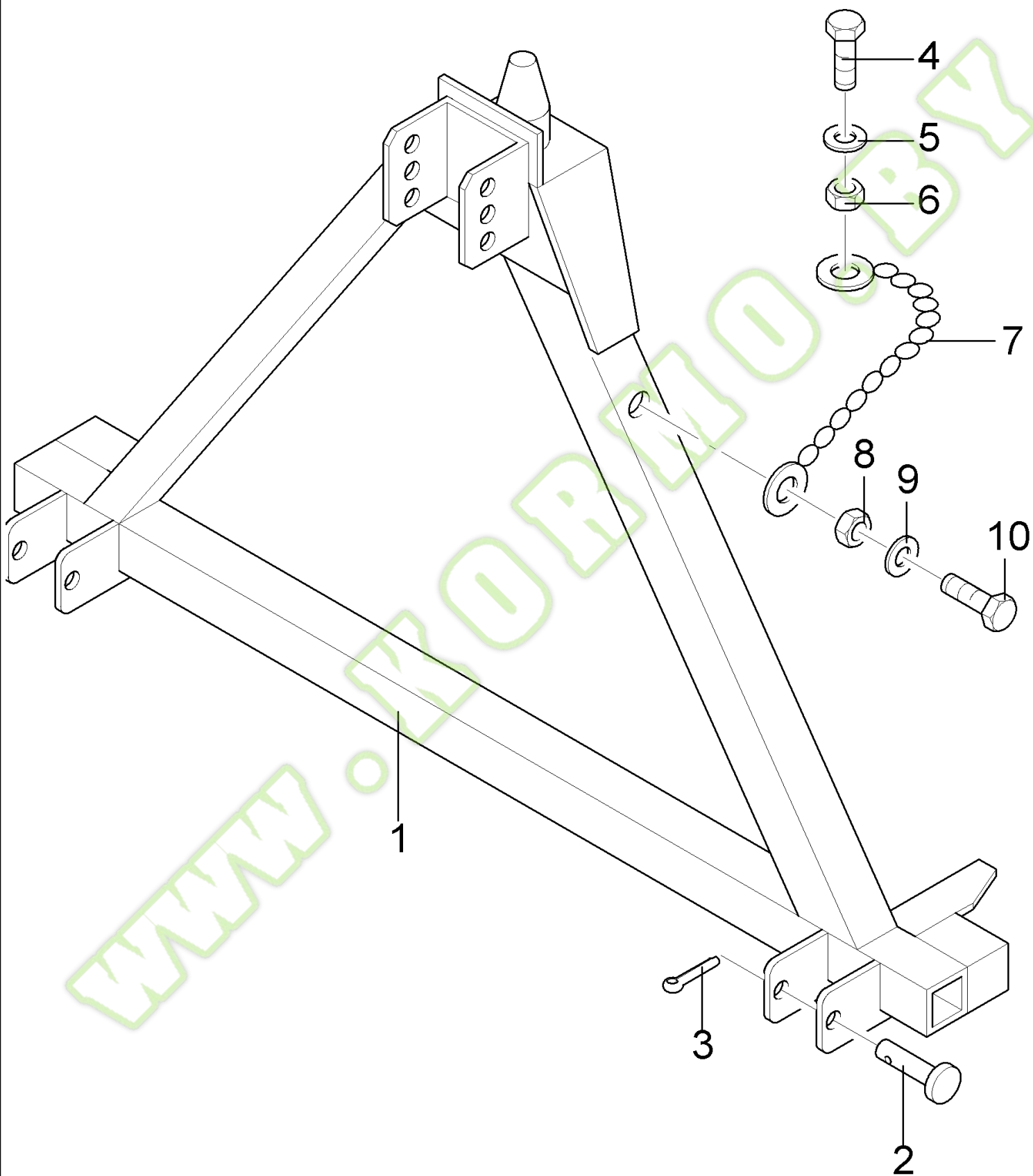


## FX375 NH SELF PROPELLED FORAGE HARVESTER - YELLOW VERSION

## 11.05(01) HITCH

Ref	Part Number	Qty	Description
1	753439	1	TOW HOOK, {PP:80753439}
2	140048	8	WASHER, LOCK, {PP:80140048} Belleville, M16, 16MM
3	120090	8	SCREW, {PP:80120090} Hex, M16 x 50, 8.8, Hex, M16 x 50, 8.8
4	84042072	1	SUPPORT, , FOR ITALY ONLY
5	84042171	1	PIN, , FOR ITALY ONLY
6	84042195	1	PIN, , FOR ITALY ONLY

WWW.KORMO.BY

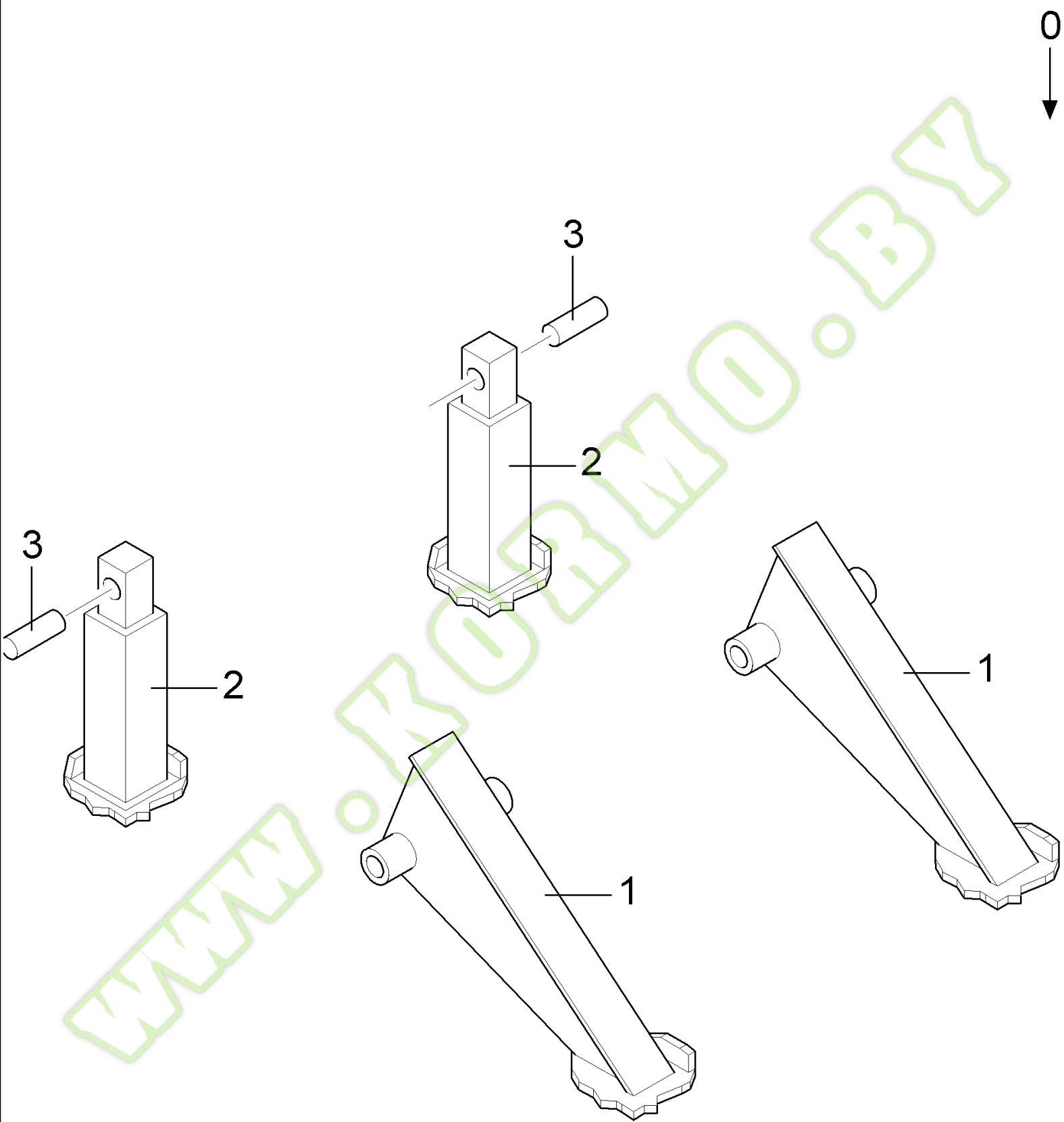


## FX375 NH SELF PROPELLED FORAGE HARVESTER - YELLOW VERSION

## 11.06(01) 3PT FRAME CHOPPER BODY

Ref	Part Number	Qty	Description
0	84020105	1	DIA KIT, HARVESTER, (1 TO 3)
1	84019859	1	SUPPORT,
2	84019872	3	ROD,
3	412389	3	PIN, SPLIT (COTTER), {PP:80412389}
4	120122	1	SCREW, {PP:80120122} Hex, M12 x 50, 8.8, Full Thd, M12X40
5	140046	1	WASHER, LOCK, {PP:80140046} Belleville, M12, 12MM
6	337475	1	NUT, {PP:80337475} M12, CI 10, M12
7	84023457	1	CHAIN,
8	100016	1	NUT, {PP:80100016} M10, CI 8, M10
9	140045	1	WASHER, LOCK, {PP:80140045} Belleville, M10, 10MM
10	120109	1	SCREW, {PP:80120109} Hex, M10 x 20, 8.8, Full Thd, M10X20

WWW.KORMO.BY

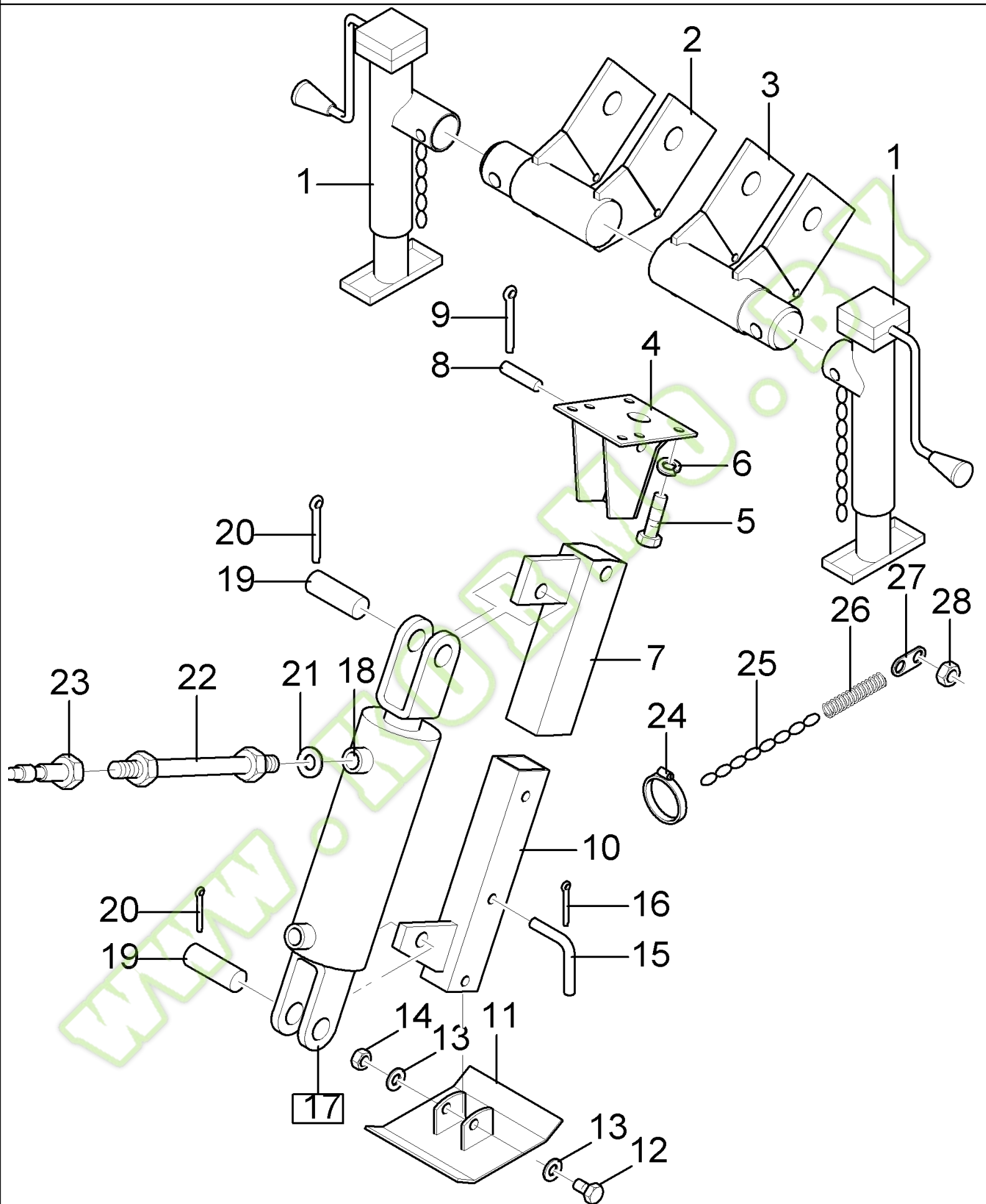




## 11.07(01) WORKSHOP STAND CHOPPER BODY

Ref	Part Number	Qty	Description
0	84016836	1	DIA KIT, HARVESTER, (1 TO 3)
1	84005172	2	SUPPORT,
2	89837162	2	SUPPORT,
3	84014750	2	PIN,

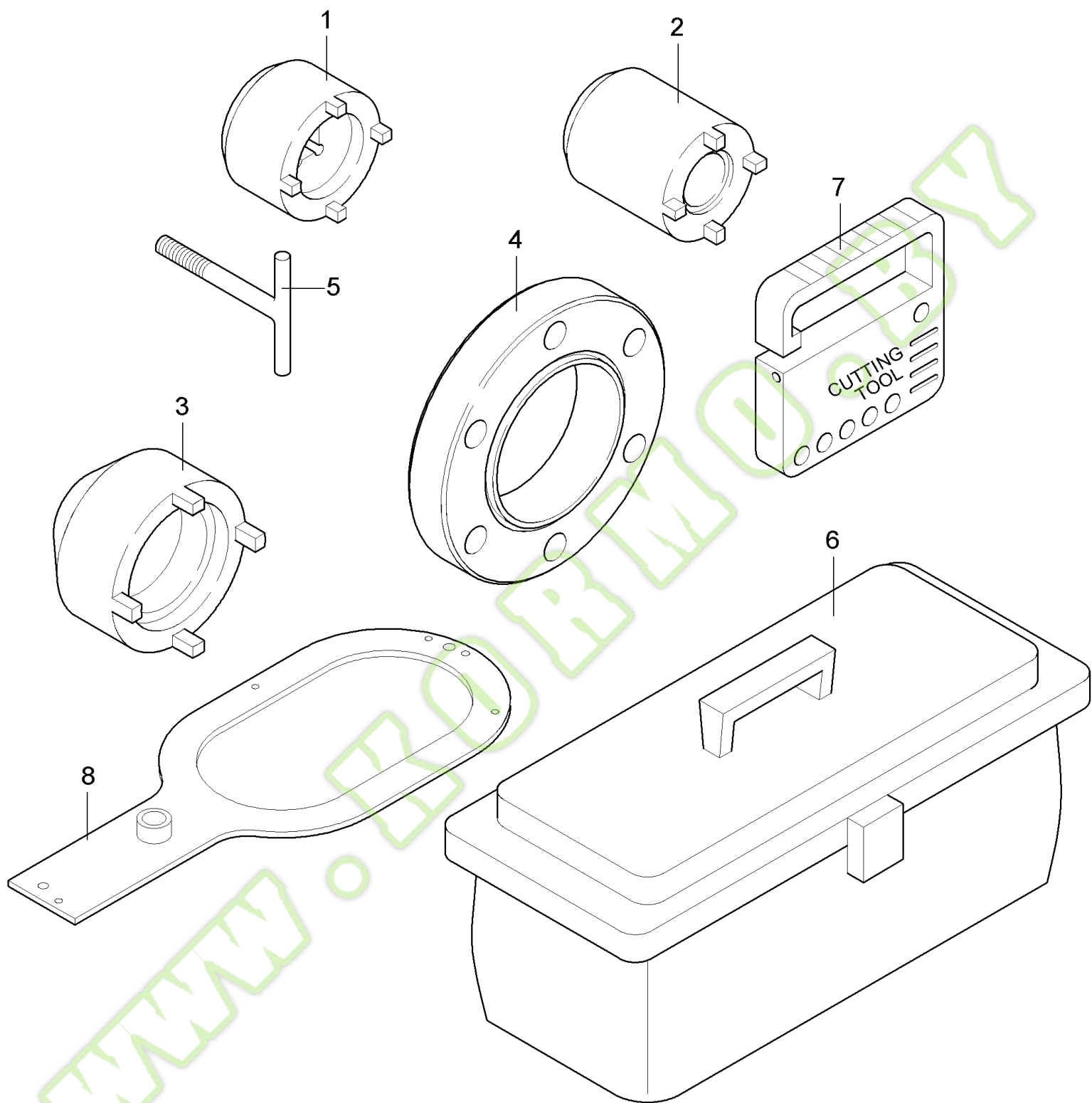
WWW.KORMO.BY



## FX375 NH SELF PROPELLED FORAGE HARVESTER - YELLOW VERSION

## 11.08(01) HYDRAULIC JACK ASSEMBLY

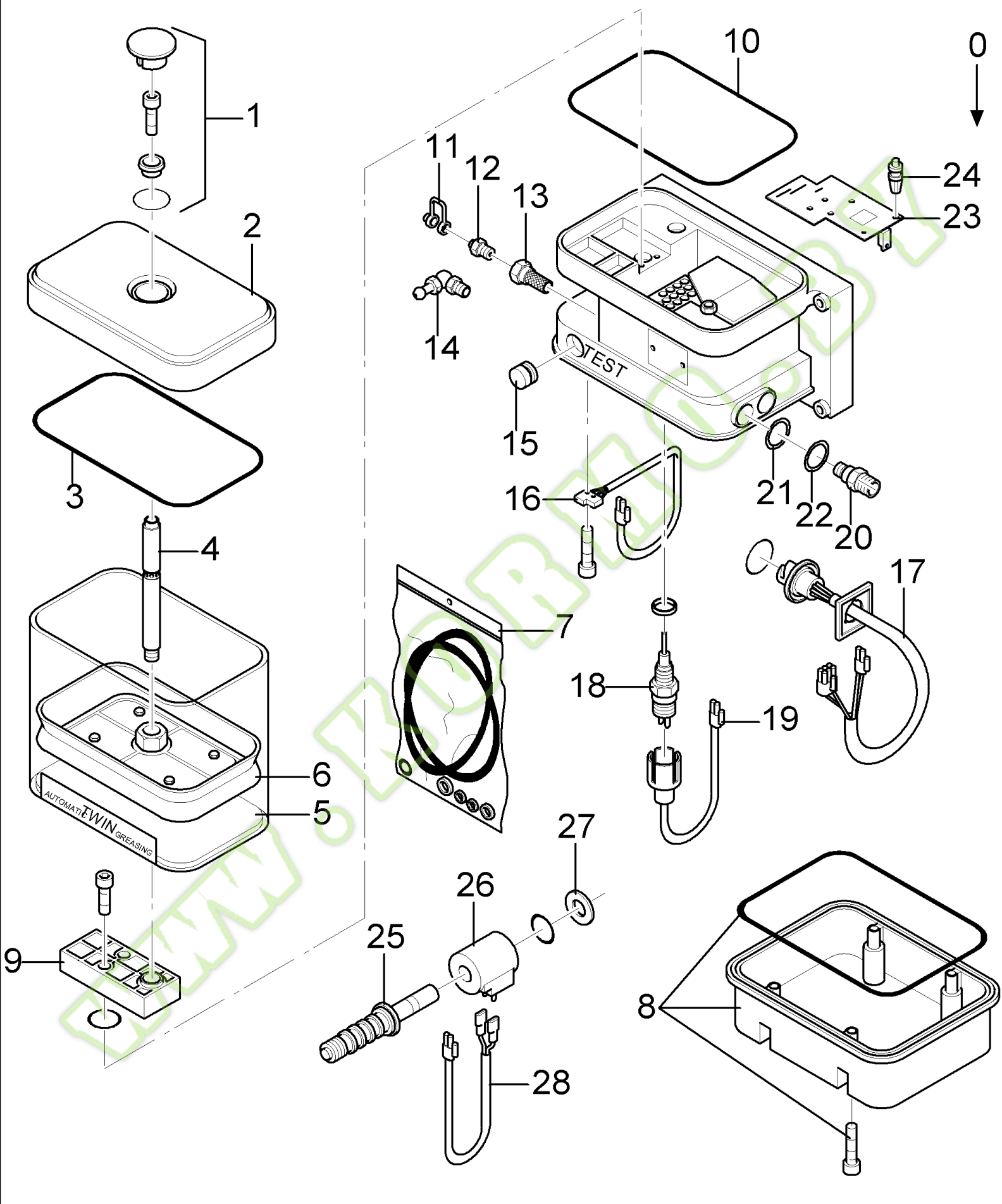
Ref	Part Number	Qty	Description
1	696163	2	JACK, {PP:80696163}
2	84039200	1	SUPPORT, RH
3	84039199	1	SUPPORT, LH
4	84036531	1	SUPPORT,
6	140048	6	WASHER, LOCK, {PP:80140048} Belleville, M16, 16MM
7	84036524	1	SUPPORT,
8	80922292	1	SHAFT,
9	180043	1	PIN, SPLIT (COTTER), {PP:80180043}
10	84036525	1	SUPPORT,
11	84036526	1	PLATE, COVER,
12	374889	1	SCREW, {PP:80374889} Hex, M16 x 100, 8.8, M16X100
13	378246	2	WASHER, {PP:80378246} 16MM
14	100039	1	NUT, {PP:80100039} M16 x 2, CI 8, M16
15	435771	1	HANDLE, {PP:80435771}
16	86511448	1	PIN, SPLIT (COTTER),
17	84038111	1	HYDRAULIC CYLINDER, (18)
18	84038110	1	KIT, SEALS,
19	514112	2	PIN, {PP:80514112}
20	437424	2	PIN, SPLIT (COTTER), {PP:80437424}
21	513892	2	ORIFICE, {PP:80513892}
22	84036530	2	HOSE, FLEXIBLE,
23	772730	2	COUPLING, QUICK, MALE, {PP:80772730}
24	381145	2	CLAMP, {PP:80381145}
25	89839041	2	CHAIN,
26	180067	2	SPRING, {PP:80180067}
27	336886	2	LEVER, {PP:80336886}
28	100015	2	NUT, {PP:80100015} M8, CI 8, M8
5	120126	6	SCREW, {PP:80120126} Hex, M16 x 30, 8.8, Full Thd, Hex, M16 x 30, 8.8, Full Thd



## 11.09(01) SPECIAL TOOL

Ref	Part Number	Qty	Description
1	84038243	1	TOOL, SPECIAL,
2	84038244	1	TOOL, SPECIAL,
3	84038245	1	TOOL, SPECIAL,
4	84038246	1	TOOL, SPECIAL,
5	84038066	1	ROD, KNIFE SHARPENER
6	84042537	1	BOX, TOOL,
7	84043810	1	TOOL, SPECIAL, OPTIC CABLE KNIFE
8	84074673	1	TOOL, SPECIAL,

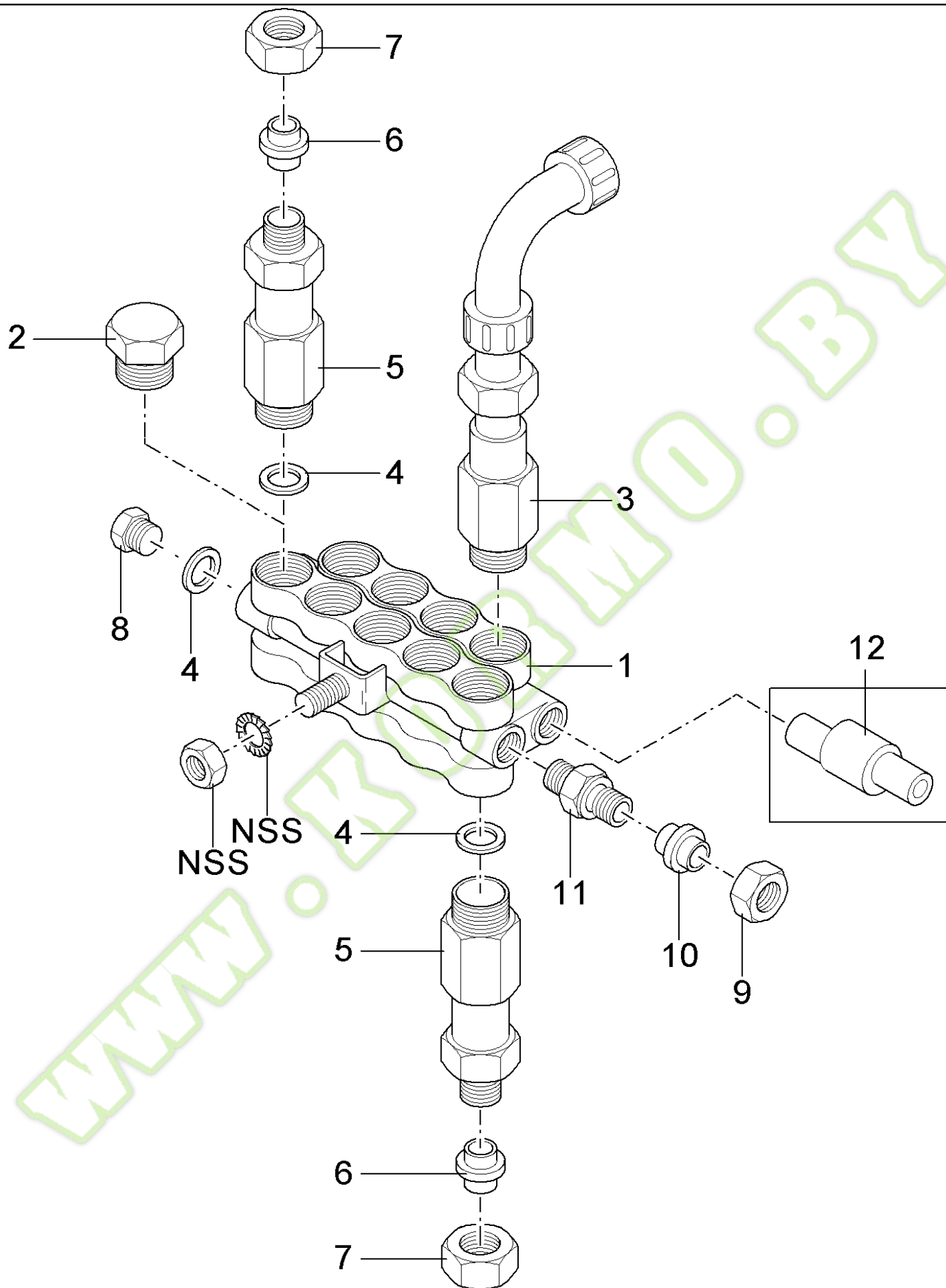
WWW.KORMO.BY



## FX375 NH SELF PROPELLED FORAGE HARVESTER - YELLOW VERSION

## 11.10(01) CENTRAL LUBRICATION: TWIN-PUMP

Ref	Part Number	Qty	Description
0	84037376	1	PUMP, ENGINE OIL, (1 TO 28), FOR 3L TWIN PUMP
0	84053105	1	PUMP, ENGINE OIL, (1 TO 28), FOR 4L TWIN PUMP
1	84039107	1	TAB, LOCKING,
2	84039108	1	COVER,
3	84039109	1	O-RING,
4	84039110	1	PIN, , FOR 3L TWIN PUMP
4	84053106	1	PIN, , FOR 4L TWIN PUMP
5	84039111	1	RESERVOIR, HYDRAULIC OIL, , FOR 3L TWIN PUMP
5	84053107	1	RESERVOIR, HYDRAULIC OIL, , FOR 4L TWIN PUMP
6	84039112	1	PISTON, , FOR 3L TWIN PUMP
6	84053108	1	PISTON, , FOR 4L TWIN PUMP
7	84039113	1	KIT, SEALS,
8	84039114	1	PROTECTING COVER,
9	84039115	1	BLOCK, CONNECTING,
10	84039116	1	O-RING,
11	84039121	1	DUST CAP,
12	84039122	1	CONNECTOR, HYD.,
13	84039123	1	FILTER,
14	84039124	1	NIPPLE, LUBE, 45°
14	84039125	1	NIPPLE, LUBE, 90°
15	84039126	1	PUSH BUTTON,
16	84039127	1	SWITCH, ASSY,
17	84039128	1	HARNESS, WIRE,
18	84039129	1	LEVEL GAUGE CONTROL,
19	84039130	1	HARNESS, WIRE,
20	84039131	2	CONNECTOR, HYD.,
21	84039134	2	O-RING,
22	84039135	2	O-RING,
23	84039136	1	TIMER, 12V
24	84039137	4	CLAMP,
25	84039138	1	VALVE, HYDRAULIC,
26	84039143	1	ELECTROMAGNET,
27	84039144	1	RING,
28	84039145	1	HARNESS, WIRE,



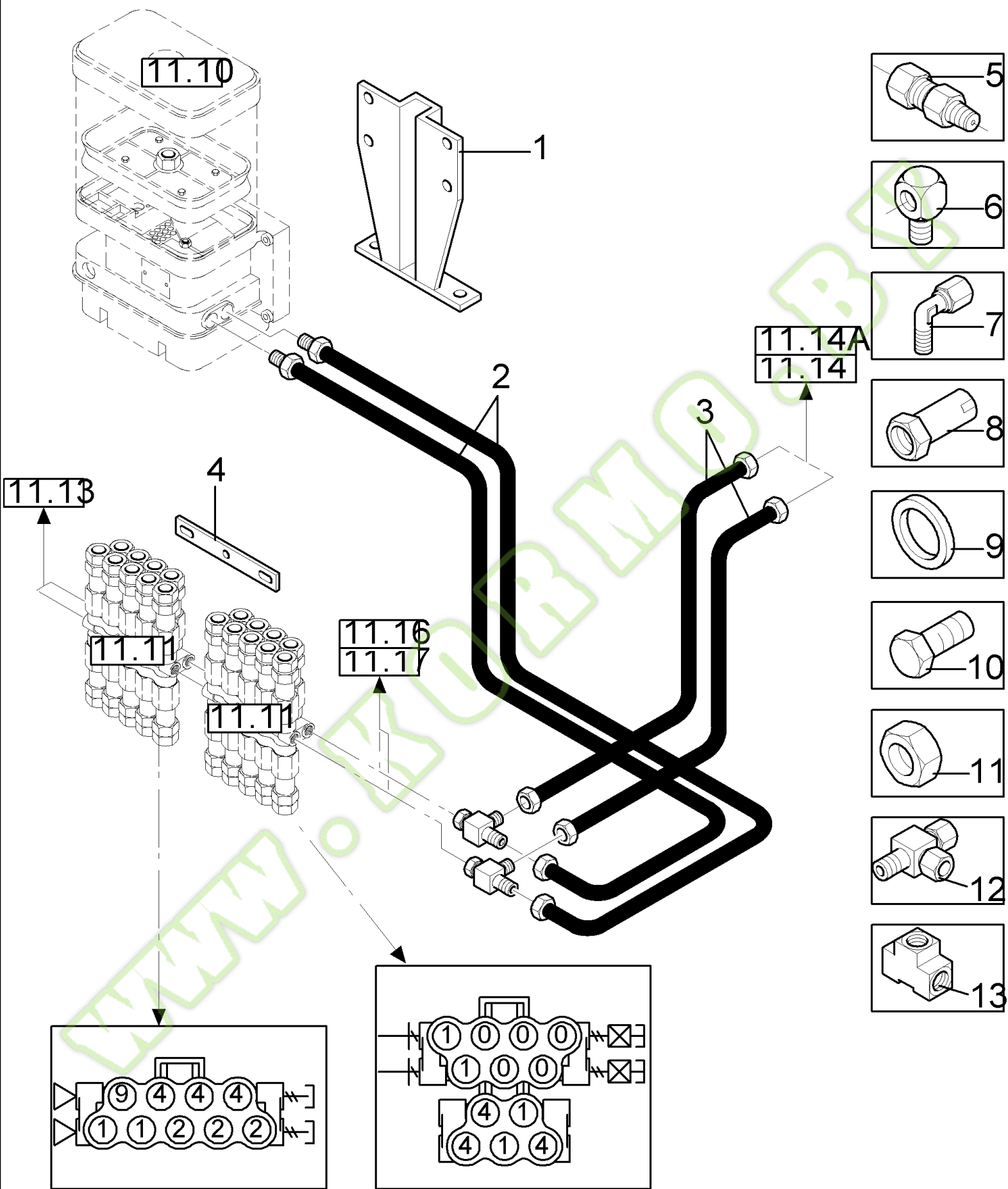


## FX375 NH SELF PROPELLED FORAGE HARVESTER - YELLOW VERSION

## 11.11(01) CENTRAL LUBRICATION: MANIFOLDS AND REDUCERS

Ref	Part Number	Qty	Description
1	84039094	AR	MANIFOLD, 12 PORT BLOCK
1	84039098	AR	MANIFOLD, 9 PORT BLOCK
1	84039105	AR	MANIFOLD, 7 PORT BLOCK
1	84039106	AR	MANIFOLD, 4 PORT BLOCK
2	84039103	AR	PLUG,
3	84039104	1	SWITCH, PRESSURE, 100BAR
4	84039238	AR	RING,
5	84039095	AR	REDUCER, NUMBER 0
5	84039096	AR	REDUCER, NUMBER 1
5	84039097	AR	REDUCER, NUMBER 4
5	84039099	AR	REDUCER, NUMBER 2
5	84039100	AR	REDUCER, NUMBER 9
5	84039101	AR	REDUCER, NUMBER 8
6	84039133	AR	FERRULE, D=6MM
7	84039132	AR	NUT, D=6MM
8	84037358	AR	PLUG,
9	84039171	AR	NUT, D=8MM
9	84039172	AR	NUT, D=10MM
10	84039173	AR	FERRULE, D=8MM
10	84039174	AR	FERRULE, D=10MM
11	84037365	AR	CONNECTOR, HYD., 10 1/4 NPT
11	84037397	AR	CONNECTOR, HYD., 8 1/4 NPT
12	84062214	AR	CONNECTOR, HYD., , D5065-

11.12(01) CENTRAL LUBRICATION: BASIC



FOR ELECTRIC COMPONENTS SEE GROUP 7.33 AND 7.34

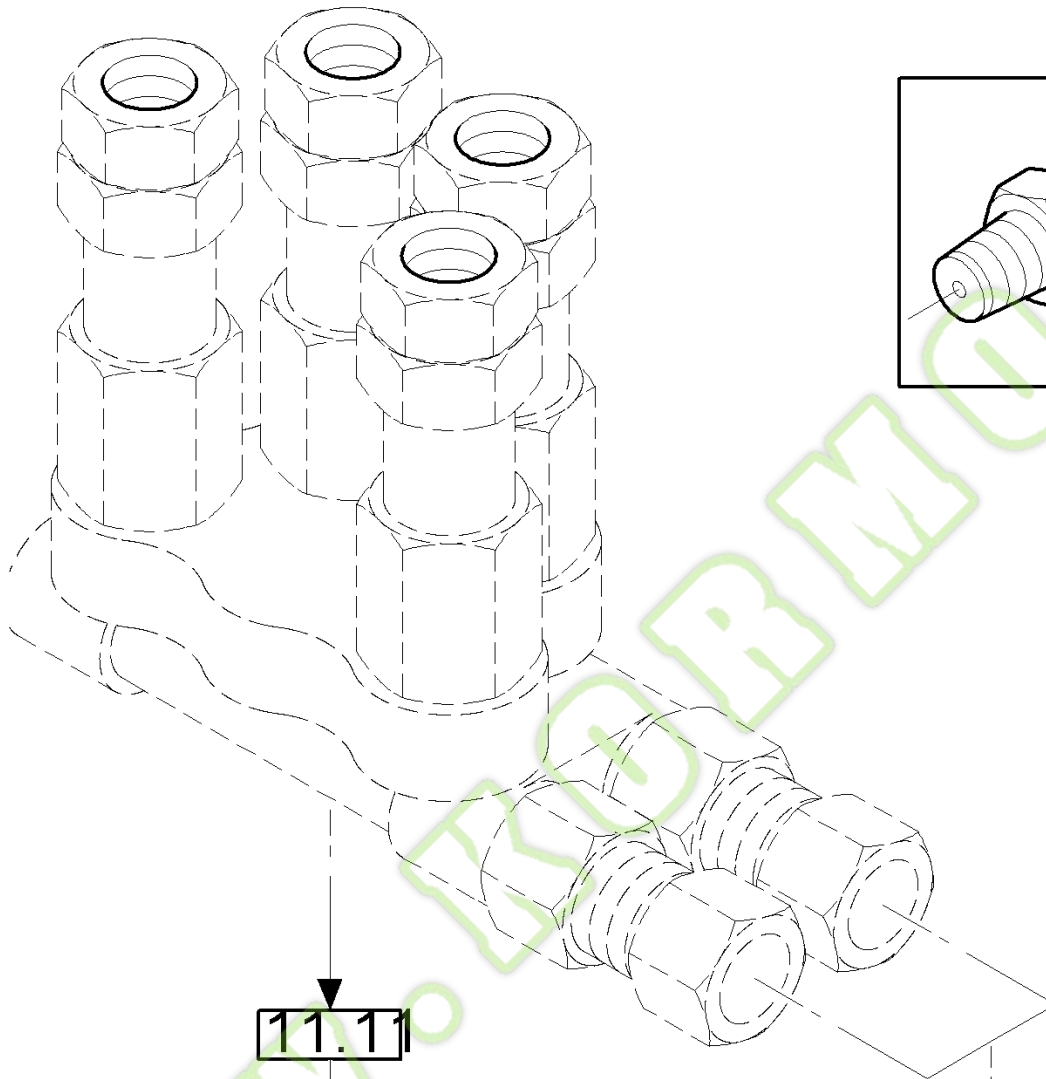
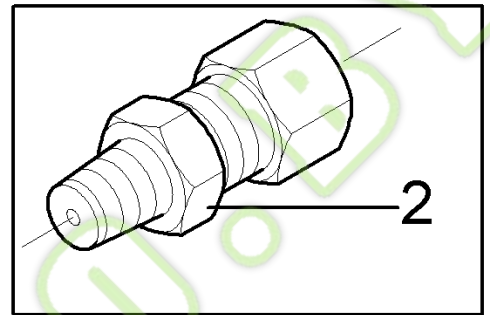
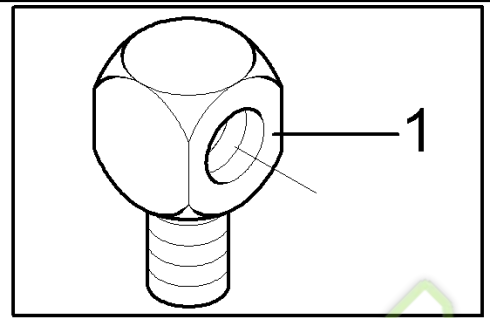
## FX375 NH SELF PROPELLED FORAGE HARVESTER - YELLOW VERSION

## 11.12(01) CENTRAL LUBRICATION: BASIC

Ref	Part Number	Qty	Description
1	84037348	1	BRACKET,
2	84037382	1	HOSE, (SET OF TWO), -C0413
2	84053117	1	HOSE, (SET OF TWO), D1400-
3	84037383	1	HOSE, (SET OF TWO)
4	84037350	1	BRACKET,
5	84037349	1	CONNECTOR, HYD., 1/8"-6MM
5	84037361	11	CONNECTOR, HYD., D=6MM-M6X1
5	84037362	6	CONNECTOR, HYD., D=6MM-M8X1
5	84037365	2	CONNECTOR, HYD., D=10MM-1/4"
5	84037366	2	CONNECTOR, HYD., 1/4"
5	84042355	2	CONNECTOR, HYD., 1/8"
6	84037355	6	ELBOW, M6X1-M8X1
7	84037363	2	ELBOW, D=6MM-M6X1
8	84037373	2	COUPLING, QUICK, MALE, FEMALE
9	140014	4	WASHER, {PP:80140014} M5, 5MM
9	140018	4	WASHER, {PP:80140018} M12 x 24 x 2.5, 14MM
9	140045	2	WASHER, LOCK, {PP:80140045} Belleville, M10, 10MM
9	140078	2	WASHER, {PP:80140078} 10MM
9	322356	2	WASHER, LOCK, {PP:80322356} 5MM
9	378243	8	WASHER, {PP:80378243} 8MM
10	43139	2	SCREW, {PP:80043139} Hex, M10 x 25, 8.8, Full Thd, M10X25
10	120107	4	SCREW, {PP:80120107} Hex, M8 x 50, 8.8, Full Thd, M8X50
10	84037379	2	SCREW, M5X40
11	100016	2	NUT, {PP:80100016} M10, CI 8, M10
11	100067	4	NUT, {PP:80100067} M8 x 1.25", CI 8, M8
12	84037364	2	CONNECTOR, HYD., D=8MM/1/4"NPT
13	84042354	2	CONNECTION, 3 WAY,
11	100013	2	NUT, {PP:80100013} M4, CI 8, M5
10	43140	2	BOLT, {PP:80043140} Hex, M10 x 30, 8.8, M10X30

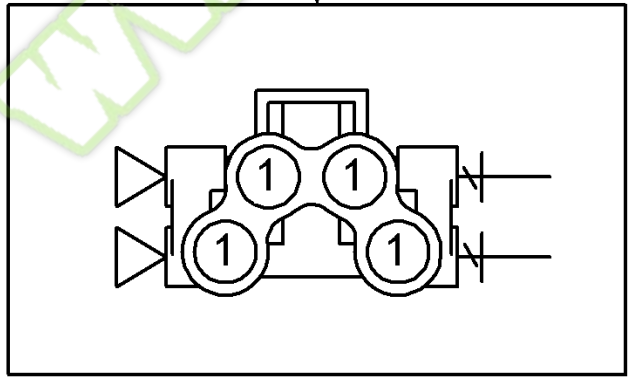
FOR ELECTRIC COMPONENTS SEE GROUP 7.33 AND 7.34

11.13(01) CENTRAL LUBRICATION: TWO WHEEL DRIVE



11.11

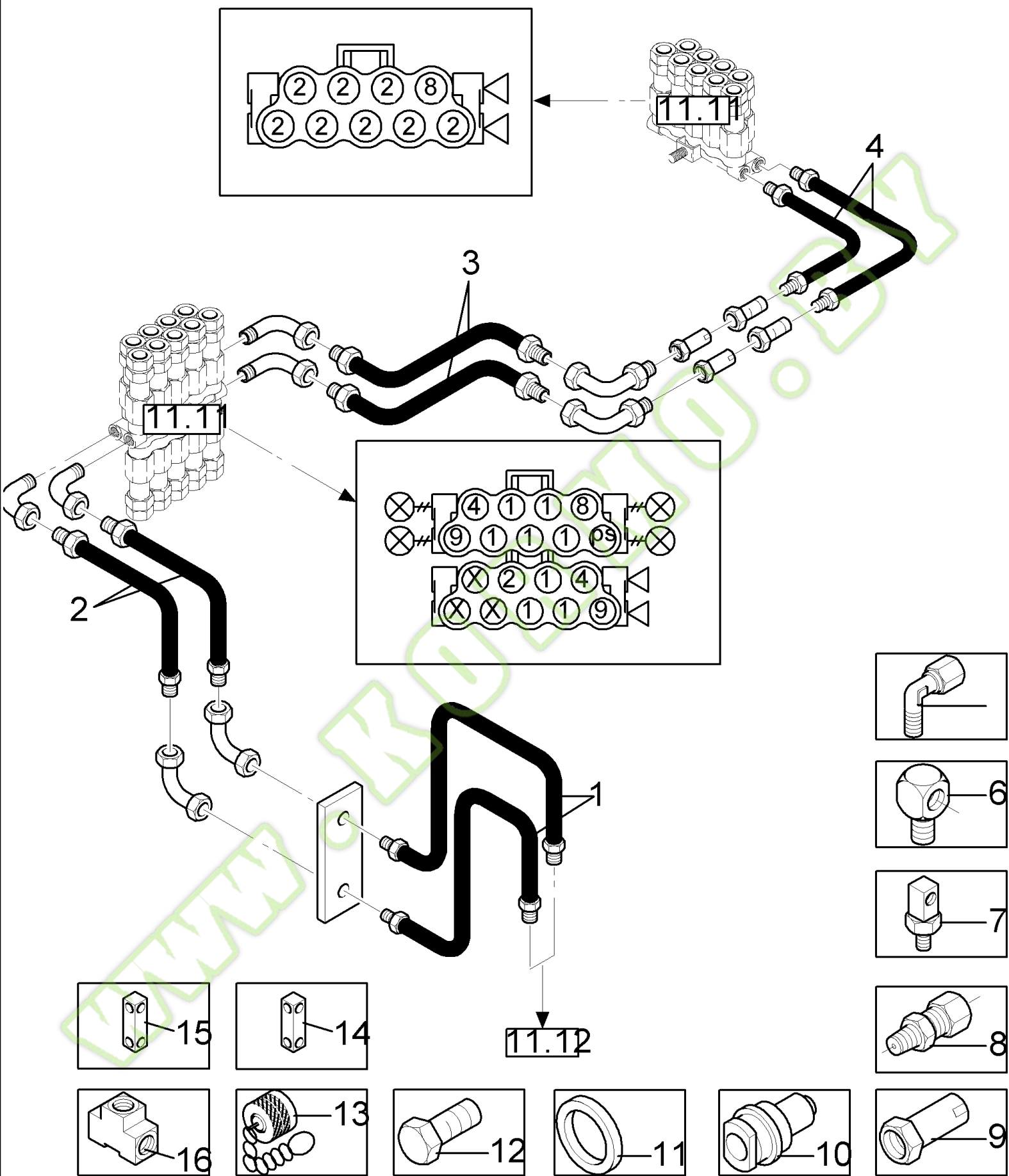
11.12



Ref	Part Number	Qty	Description
1	84037355	4	ELBOW, M6X1,M8X1
1	84037392	4	ELBOW, M8X1 CON/M8X1
2	84037361	1	CONNECTOR, HYD., 6MM-M6X1"
2	84037362	4	CONNECTOR, HYD., 6MM-M8X1
2	84037365	2	CONNECTOR, HYD., 10MM-1/4"
2	84037366	2	CONNECTOR, HYD., 1/4"

WWW.KORMO.BY

11.14(01) CENTRAL LUBRICATION: CUTTERHEAD



## FX375 NH SELF PROPELLED FORAGE HARVESTER - YELLOW VERSION

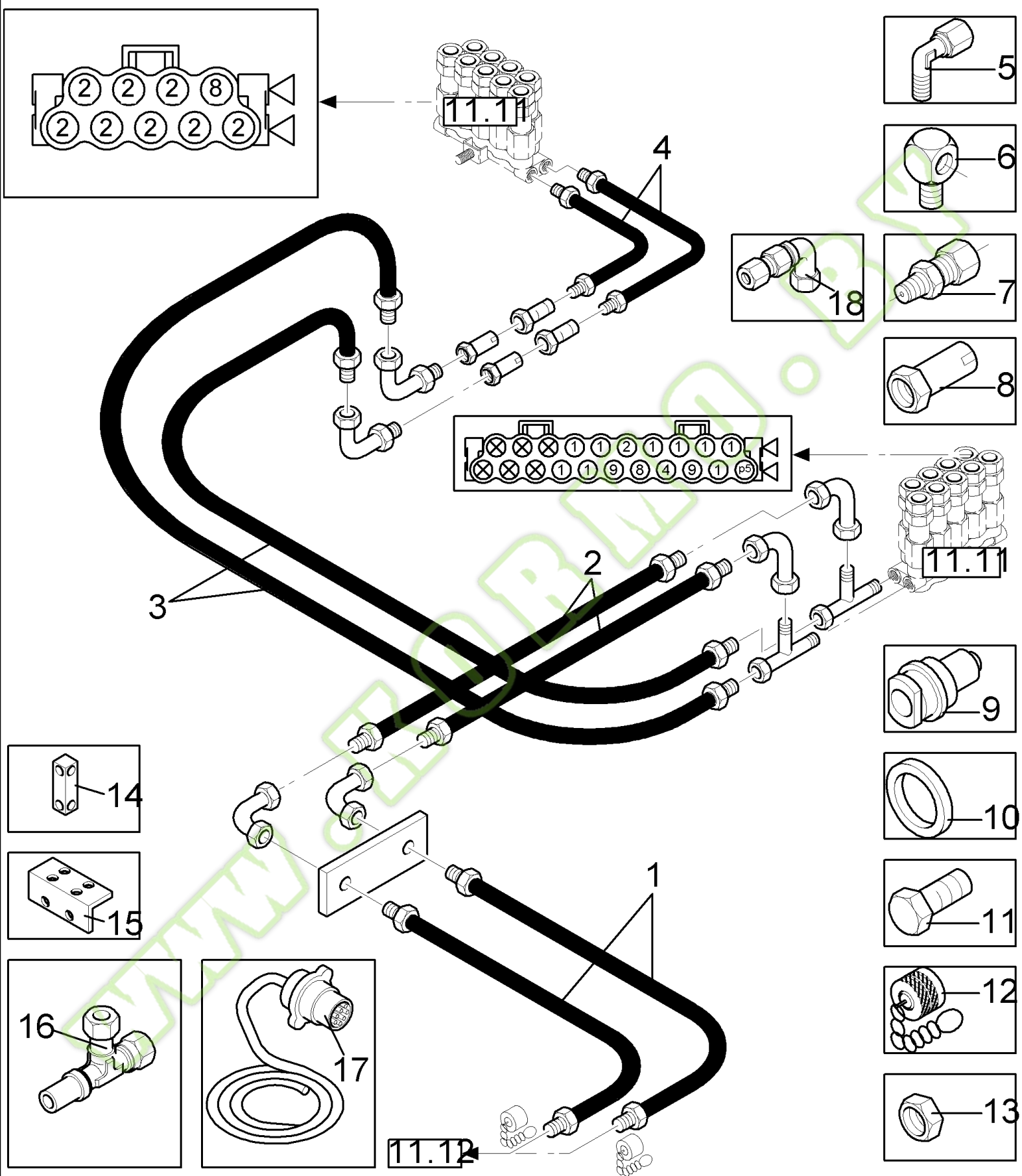
## 11.14(01) CENTRAL LUBRICATION: CUTTERHEAD

Ref	Part Number	Qty	Description
1	84037404	1	HOSE KIT, (SET OF TWO)
2	84037403	1	HOSE, (SET OF TWO)
3	84037405	1	HOSE, (SET OF TWO)
4	84037406	1	HOSE, (SET OF TWO)
5	84037363	1	ELBOW, D=6MM/M6X1 CON
5	84037391	1	ELBOW, D=6MM/R1/8"
6	84037355	1	ELBOW, M6X1 CON/M8X1
6	84037392	1	ELBOW, M8X1 CON/M8X1
6	84037398	6	CONNECTOR, HYD., D=8MM/1/4"NPT
7	84037394	2	ELBOW, M8X1 CON
8	84037361	1	CONNECTOR, HYD., D=6MM/M6X1
8	84037362	4	CONNECTOR, HYD., D=6MM/M8X1
8	84037397	2	CONNECTOR, HYD., D=8MM/1/4" NPT
8	84042355	2	CONNECTOR, HYD., 1/8"NPT
9	84037373	2	COUPLING, QUICK, MALE, FEMALE
10	84037399	4	COUPLING, QUICK, MALE, MALE
11	140045	2	WASHER, LOCK, {PP:80140045} Belleville, M10, M10
11	140078	2	WASHER, {PP:80140078} 10MM
12	43139	2	SCREW, {PP:80043139} Hex, M10 x 25, 8.8, Full Thd, M10X25
13	84037400	2	PROTECTION CAP,
14	84037389	1	BRACKET,
15	84037390	1	BRACKET,
16	84042354	2	CONNECTION, 3 WAY,

ONLY VALID UNTIL SERIAL NO --13999



11.14A(01) CENTRAL LUBRICATION: CUTTERHEAD



ONLY VALID FROM SERIAL NO --14001



## FX375 NH SELF PROPELLED FORAGE HARVESTER - YELLOW VERSION

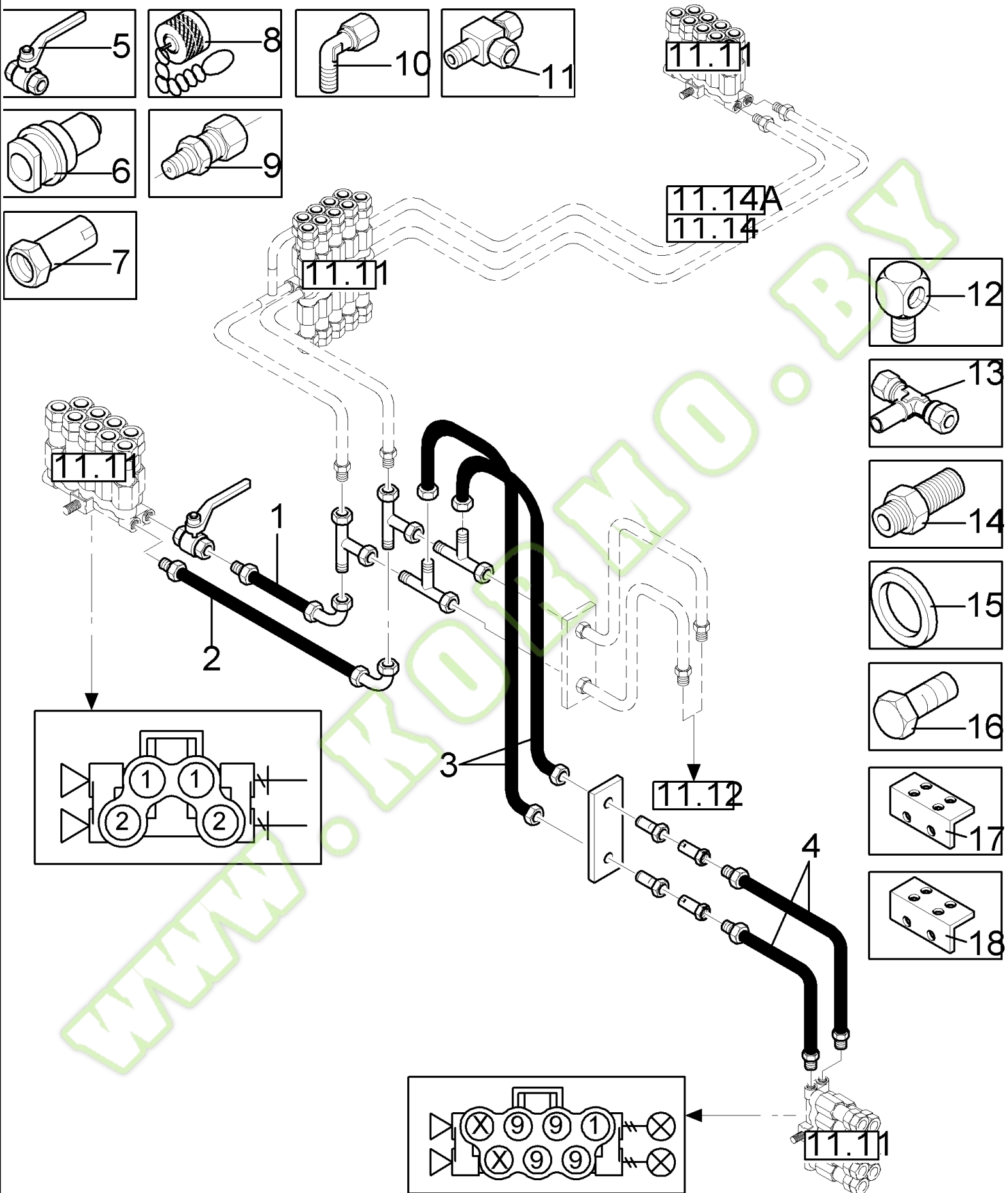
## 11.14A(01) CENTRAL LUBRICATION: CUTTERHEAD

Ref	Part Number	Qty	Description
1	84037404	1	HOSE KIT, (SET OF TWO)
1	84062121	1	(SET OF TWO)
2	84053208	1	HOSE, FLEXIBLE, (SET OF TWO)
3	84053207	1	HOSE, FLEXIBLE, (SET OF TWO)
4	84042360	1	HOSE, FLEXIBLE, (SET OF TWO)
5	84037363	12	ELBOW, 6MM-M6X1
5	84037391	3	ELBOW, 1/8"-6MM
5	84042357	3	CONNECTOR, HYD., 10MM-1/4"
6	84037355	3	ELBOW, M6X1-M8X1
6	84037392	1	ELBOW, M8X1-M8X1
6	84037398	2	CONNECTOR, HYD., 8MM-1/4"
7	84037361	2	CONNECTOR, HYD., 6MM-M6X1
7	84037362	4	CONNECTOR, HYD., 6MM-M8X1
7	84037366	1	CONNECTOR, HYD., 10MM-1/4"
7	84037397	2	CONNECTOR, HYD., 8MM-1/4"
7	84042355	2	CONNECTOR, HYD., 6MM-1/8"
8	84037373	2	COUPLING, QUICK, MALE, FEMALE
9	84037399	4	COUPLING, QUICK, MALE, MALE
10	140014	2	WASHER, {PP:80140014} M5, 5MM
10	140018	2	WASHER, {PP:80140018} M12 x 24 x 2.5, 14MM
10	140045	6	WASHER, LOCK, {PP:80140045} Belleville, M10, 10MM
10	140078	6	WASHER, {PP:80140078} 10MM
10	322356	1	WASHER, LOCK, {PP:80322356} 5MM
10	84037357	2	WASHER, SEALING,
10	9801065	1	WASHER, {PP:89801065}
11	43139	1	SCREW, {PP:80043139} Hex, M10 x 25, 8.8, Full Thd, M10X25
11	80300383	1	SCREW, M10X16
11	84037379	1	SCREW, M5X40
12	84037400	2	PROTECTION CAP,
14	84037389	1	BRACKET,
15	84053205	1	BRACKET,
16	84042354	2	CONNECTION, 3 WAY,
17	84053206	1	HARNES, WIRE,
18	84053204	1	CONNECTOR, HYD., 10MM-10MM
13	100013	1	NUT, {PP:80100013} M4, CI 8, M5
11	120109	4	SCREW, {PP:80120109} Hex, M10 x 20, 8.8, Full Thd, M10X20

ONLY VALID FROM SERIAL NO --14001



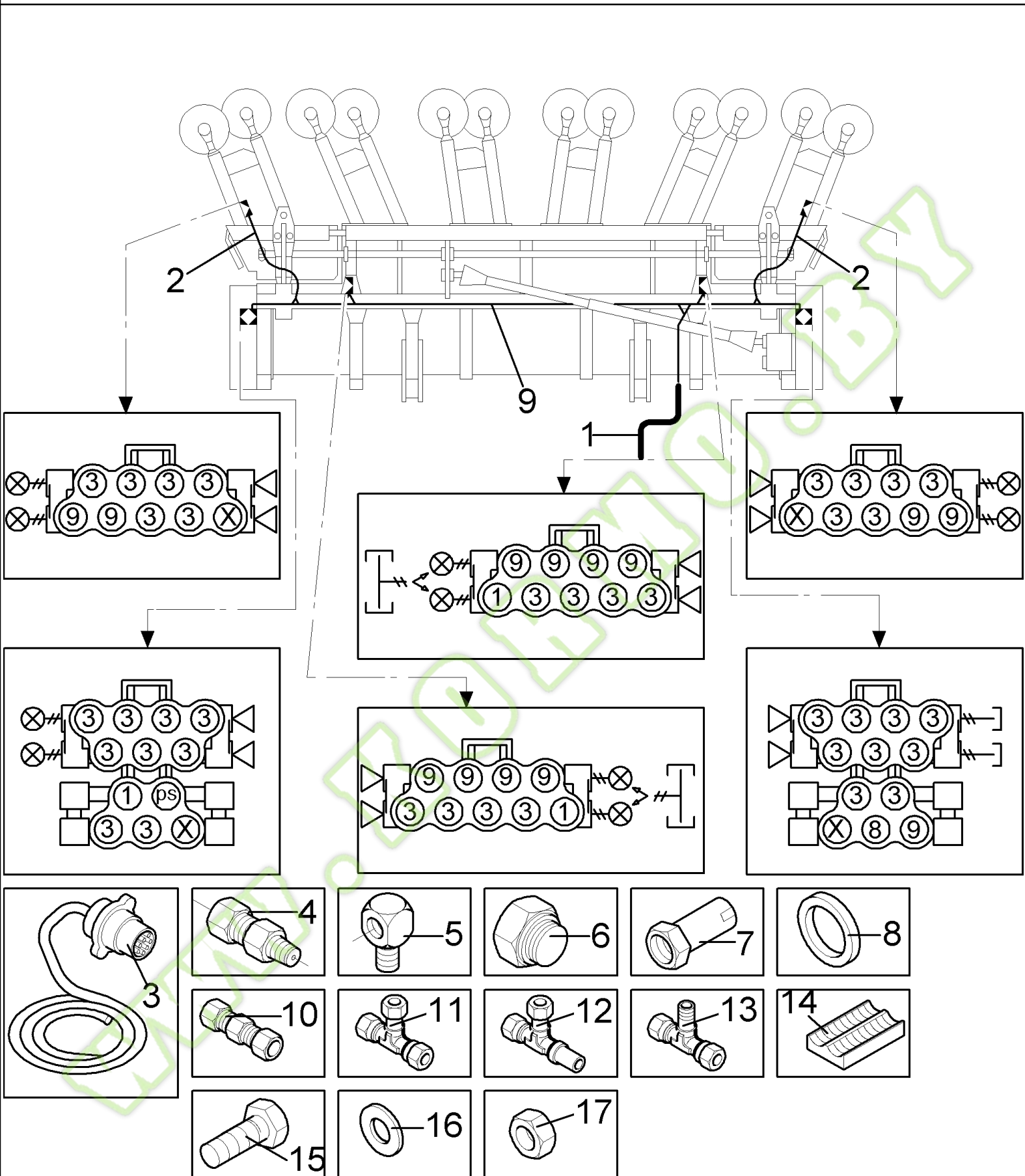
11.15(01) CENTRAL LUBRICATION: CROP PROCESSOR



## FX375 NH SELF PROPELLED FORAGE HARVESTER - YELLOW VERSION

## 11.15(01) CENTRAL LUBRICATION: CROP PROCESSOR

Ref	Part Number	Qty	Description
1	84037422	1	HOSE,
2	84037423	1	HOSE,
3	84037421	2	HOSE,
4	84037420	2	HOSE,
5	84037417	1	VALVE, SHUT-OFF, 1/4"
6	84037399	2	COUPLING, QUICK, MALE, MALE
7	84037373	2	COUPLING, QUICK, MALE, FEMALE
8	84037400	2	PROTECTION CAP, FOR MALE CONNECTOR
9	84037349	1	CONNECTOR, HYD., 1/8"-6MM
9	84037362	4	CONNECTOR, HYD., 6MM-M8X1
10	84037391	4	ELBOW, 1/8"-6MM
11	84037364	2	CONNECTOR, HYD., D=8MM/1/4" NPT
12	84037355	4	ELBOW, M6X1 CON-M8X1
13	84037415	2	CONNECTOR, HYD., 8MM-8MM-8MM
14	84037416	3	CONNECTOR, HYD., 1/4"-1/4"
15	140045	1	WASHER, LOCK, {PP:80140045} Belleville, M10, 10MM
15	140078	1	WASHER, {PP:80140078} 10MM
15	322358	2	WASHER, LOCK, {PP:80322358} Belleville, M8, 8MM
15	378243	2	WASHER, {PP:80378243} 8MM
15	84037357	1	WASHER, SEALING,
16	120106	2	SCREW, {PP:80120106} Hex, M8 x 40, 8.8, Full Thd, Hex, M8 x 40, 8.8, Full Thd
16	120108	2	SCREW, {PP:80120108} Hex, M8 x 80, 8.8, Full Thd, M8X80
16	331619	1	SCREW, {PP:80331619} M5X10
17	84037413	1	BRACKET,
18	84037414	1	BRACKET,
16	120109	1	SCREW, {PP:80120109} Hex, M10 x 20, 8.8, Full Thd, M10X20



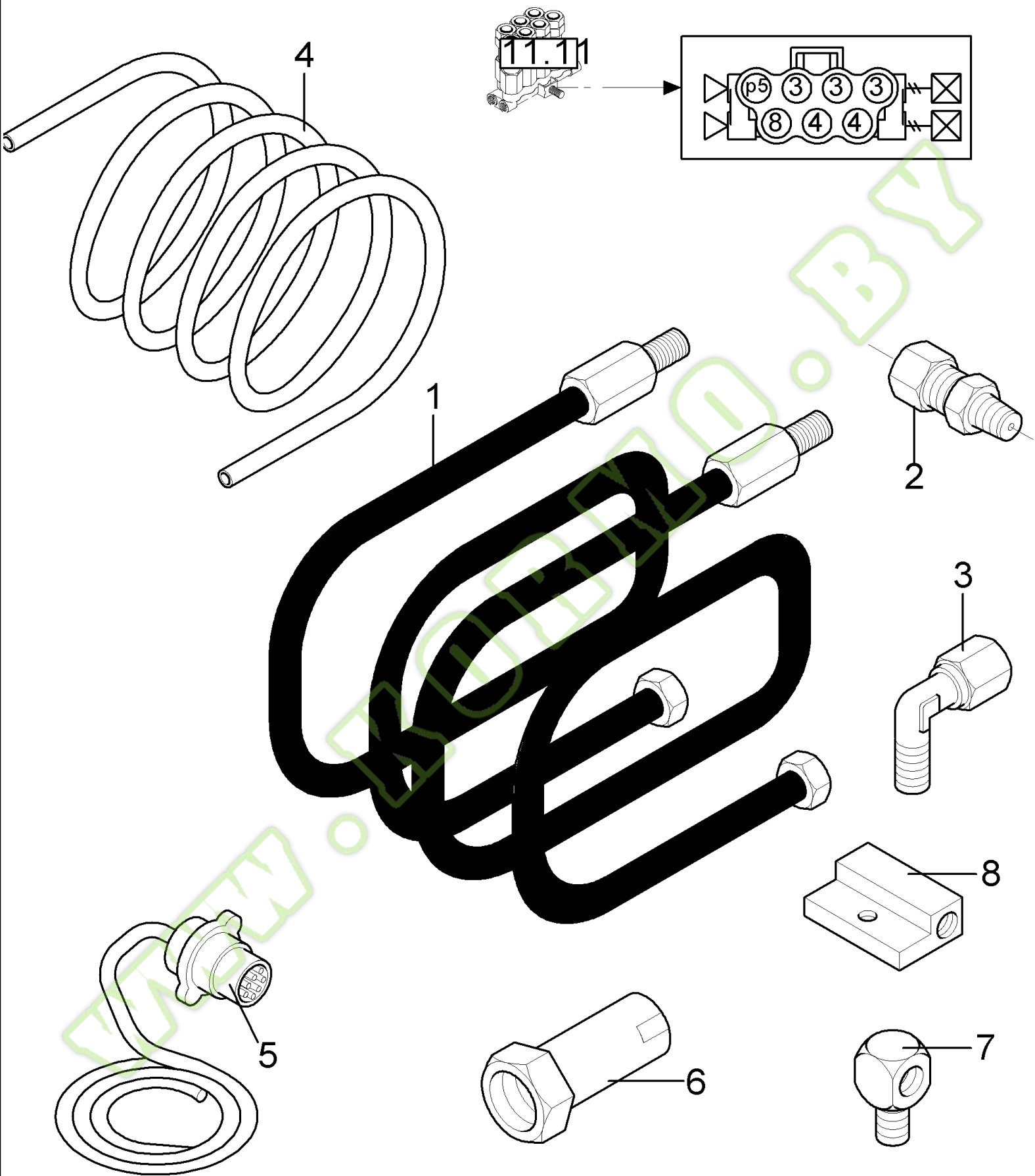
## FX375 NH SELF PROPELLED FORAGE HARVESTER - YELLOW VERSION

11.16(01) CENTRAL LUBRICATION: 300N6X

Ref	Part Number	Qty	Description
1	84038936	1	HOSE, (SET OF TWO)
2	84038937	1	HOSE, (SET OF TWO)
3	84042362	1	HARNESS, WIRE, MALE
4	84037349	4	CONNECTOR, HYD., 1/8"-6MM
4	84037362	26	CONNECTOR, HYD., 6MM-M8X1
4	84037397	2	CONNECTOR, HYD., 8MM-1/4"
5	84037355	2	ELBOW, M6X1 CON-M8X1
5	84037392	26	ELBOW, M8X1 CON-M8X1
5	84037398	6	CONNECTOR, HYD., 8MM-1/4"
5	84038922	20	CONNECTOR, HYD., 6MM-M8X1
5	84038923	1	CONNECTOR, HYD., 6MM-M10X1
6	84037358	12	PLUG, 1/4"
7	84037373	2	COUPLING, QUICK, MALE, FEMALE
8	84037357	12	WASHER, SEALING,
9	84038920	AR	TUBE, HYD, 8MMX1MM
9	84038921	AR	TUBE, HYD, 6MMX1MM
10	84038924	2	CONNECTOR, HYD., 8MM-8MM
11	84038925	4	CONNECTION, 3 WAY, 8MM
12	84038926	2	CONNECTION, 3 WAY, 8MM
13	84038927	4	CONNECTION, 3 WAY, 8MM
14	84038928	3	CLAMP, 8MM
16	140045	2	WASHER, LOCK, {PP:80140045} Belleville, M10, 10MM
16	140078	2	WASHER, {PP:80140078} 10MM
17	120014	3	SCREW, {PP:80120014} Cross Pan Hd, M6 x 20, M6X20
15	120109	2	SCREW, {PP:80120109} Hex, M10 x 20, 8.8, Full Thd, M10X20

FOR ELECTRIC COMPONENTS SEE GROUP 7.33 AND 7.34





## FX375 NH SELF PROPELLED FORAGE HARVESTER - YELLOW VERSION

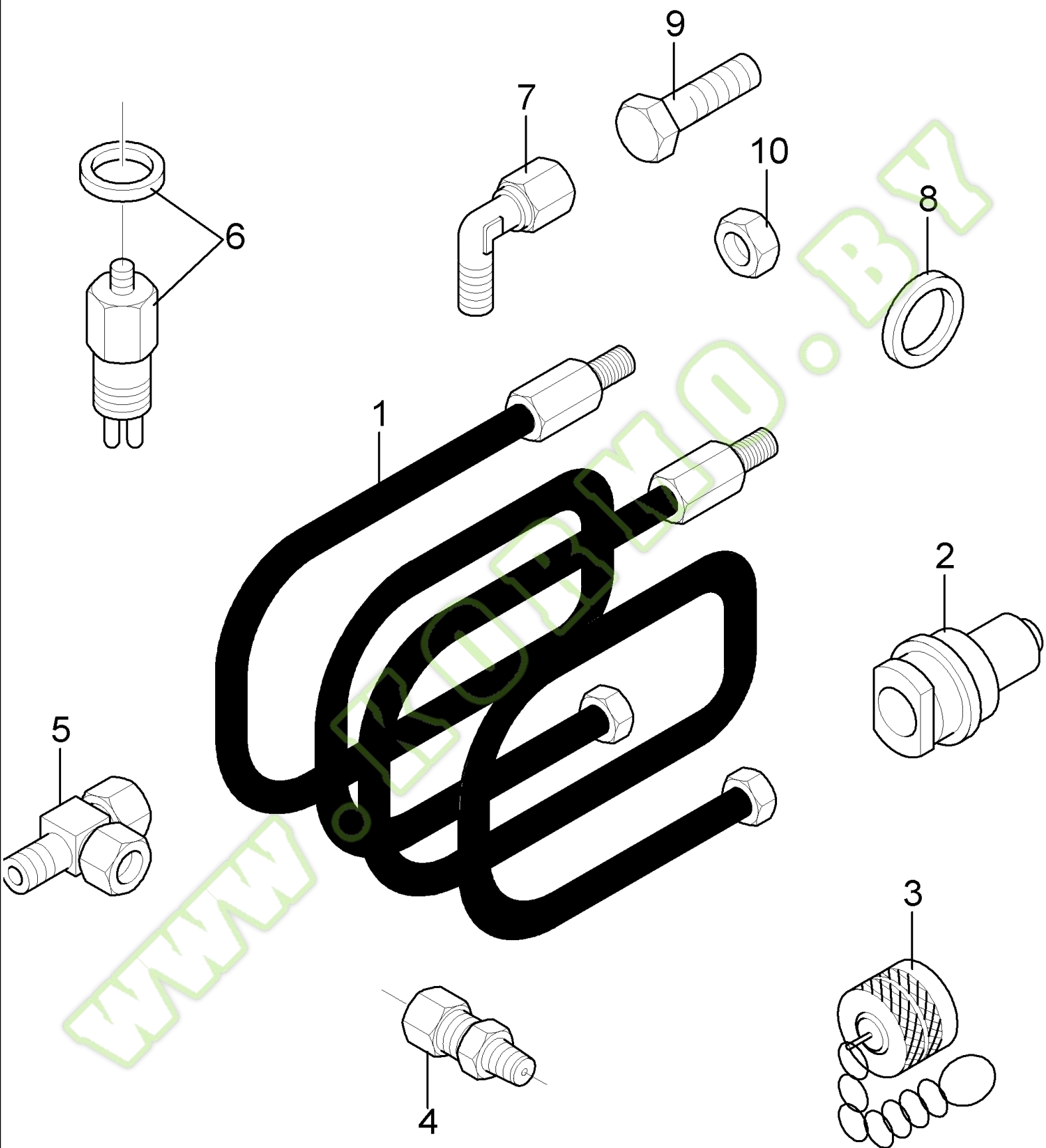
## 11.17(01) EXTENSION KIT FOR CENTRAL LUBRICATION

Ref	Part Number	Qty	Description
1	84053210	2	HOSE, FLEXIBLE, (SET OF TWO)
2	84037349	8	CONNECTOR, HYD., 1/8"-6MM
3	84037391	1	ELBOW, 1/8"-6MM
4	84038921	1	TUBE, HYD, 6MM-1MM
5	84042362	1	HARNESS, WIRE, MALE
6	84037373	2	COUPLING, QUICK, MALE, FEMALE
7	84053211	3	CONNECTOR, HYD., 1/8"-1/8"
8	84053209	3	MANIFOLD, 1/8"

WWW.KORMO.BY

FOR 340WX AND 350WX ONLY







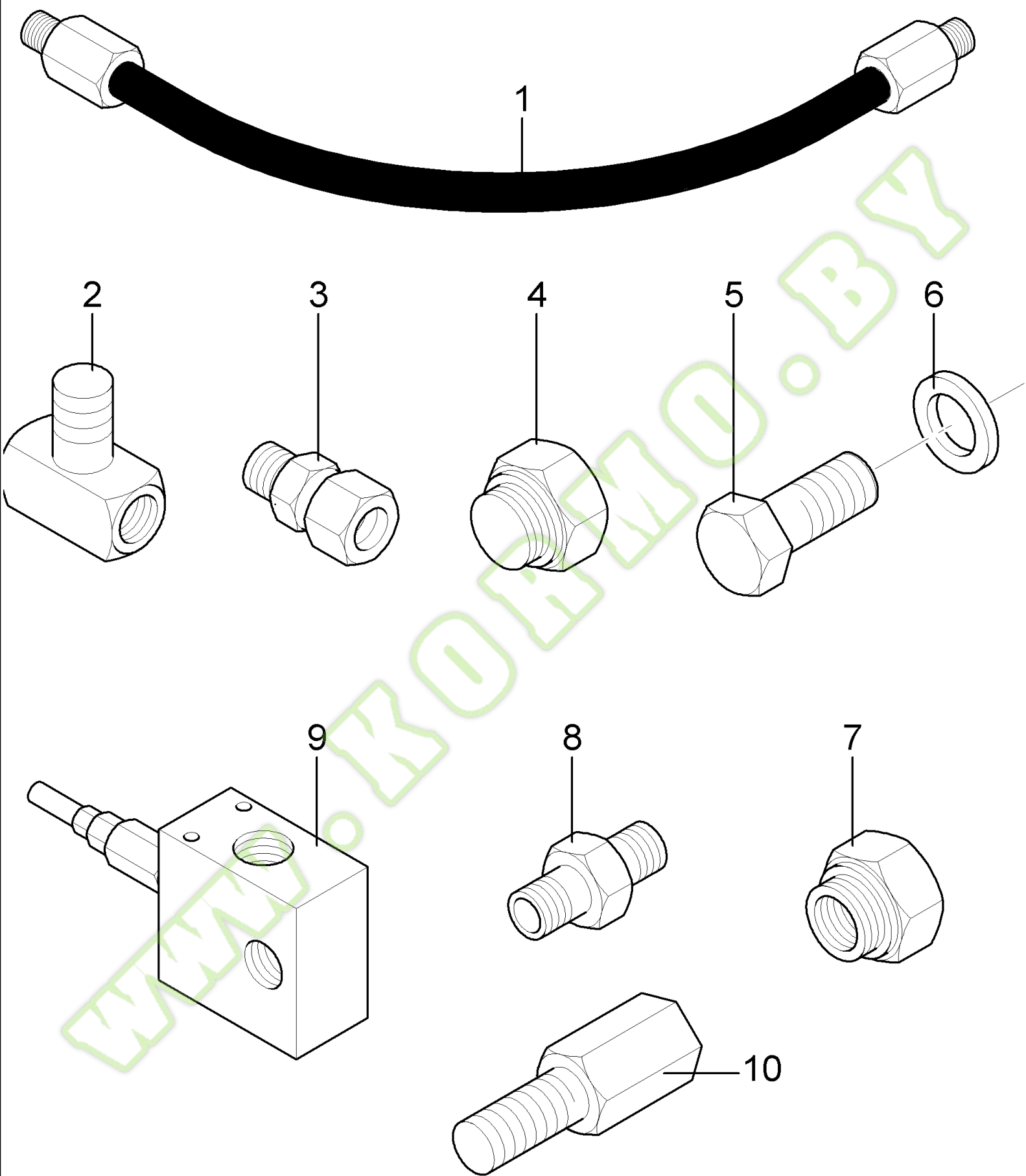
## FX375 NH SELF PROPELLED FORAGE HARVESTER - YELLOW VERSION

## 11.18(01) EXTENSION KIT FOR CENTRAL LUBRICATION

Ref	Part Number	Qty	Description
1	84038041	1	HOSE, (SET OF TWO)
2	84037399	2	COUPLING, QUICK, MALE, MALE
3	84037400	2	PROTECTION CAP,
4	84037365	2	CONNECTOR, HYD., D=10MM/1/4"NPT
5	84038038	2	CONNECTOR, HYD., D=10MM/D=10MM
6	84038039	1	SWITCH, PRESSURE, 175 BAR
7	84038040	2	ELBOW, D=10MM
8	140014	6	WASHER, {PP:80140014} M5, 5MM
8	140018	4	WASHER, {PP:80140018} M12 x 24 x 2.5, 10MM
8	322356	3	WASHER, LOCK, {PP:80322356} 5MM
9	84037379	3	SCREW, M5X40
10	100013	3	NUT, {PP:80100013} M4, CI 8, M5

FOR 300N6X ONLY





## FX375 NH SELF PROPELLED FORAGE HARVESTER - YELLOW VERSION

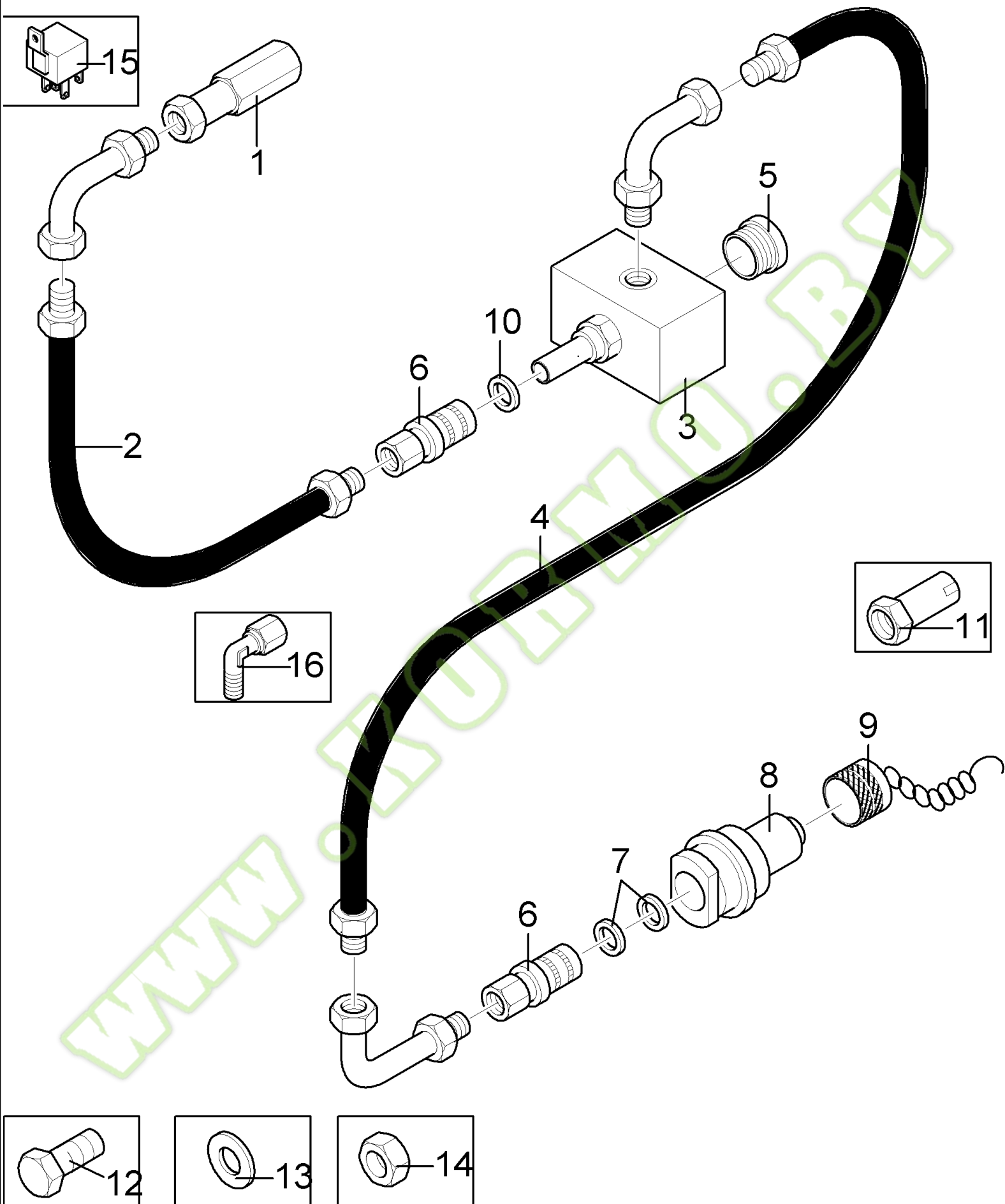
## 11.19(01) EXTENSION KIT FOR CENTRAL LUBRICATION

Ref	Part Number	Qty	Description
1	84037431	1	HOSE,
2	84037426	1	CONNECTOR, HYD., 1/4" NPT (3X)
3	84037397	2	CONNECTOR, HYD., 8MM/1/4" NPT
4	84037429	1	PLUG, R 3/8"
5	338413	2	SCREW, {PP:80338413} Hex, M6 x 60, 8.8, M6X60
6	140015	2	WASHER, {PP:80140015} 6MM
6	322357	2	WASHER, LOCK, {PP:80322357} Belleville, M6, Belleville, M6
7	84037425	2	CONNECTOR, HYD., 1/4"-3/8"
8	84037430	1	CONNECTOR, HYD., 1/4"
9	84037427	1	VALVE, HYDRAULIC,
10	84037428	1	COUPLING, QUICK, MALE,

FOR 600N8X ONLY

ONLY VALID UNTIL SERIAL NO. --13999





FOR 600N8X ONLY

ONLY VALID FROM SERIAL NO. --14001

## FX375 NH SELF PROPELLED FORAGE HARVESTER - YELLOW VERSION

## 11.19A(01) EXTENSION KIT FOR CENTRAL LUBRICATION

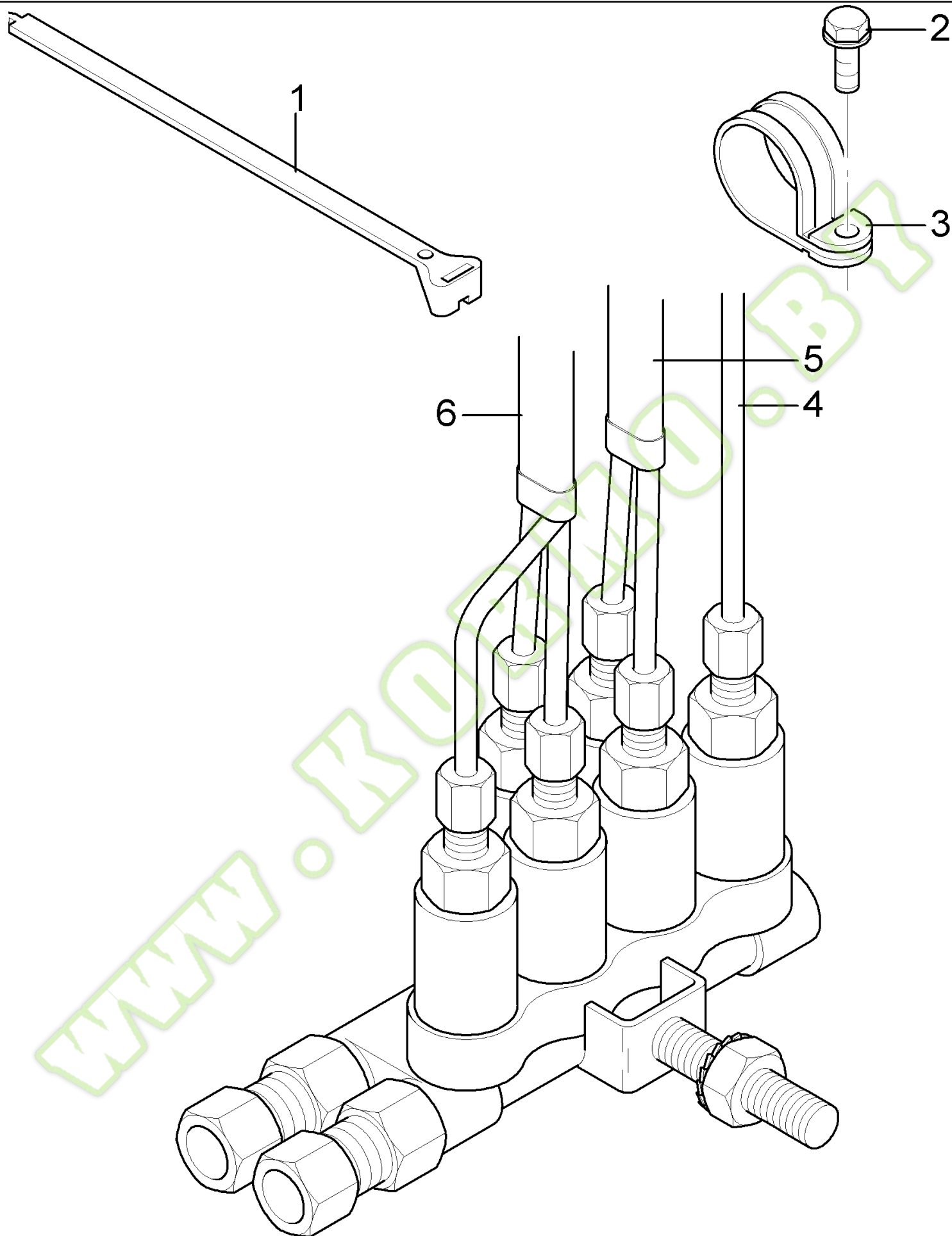
Ref	Part Number	Qty	Description
1	84042358	1	SENDER UNIT,
2	84042360	1	HOSE, FLEXIBLE,
3	84037427	1	VALVE, HYDRAULIC,
4	84042361	1	HOSE, FLEXIBLE,
5	84037429	1	PLUG,
6	84037365	3	CONNECTOR, HYD., 10MM-1/4"
7	140018	2	WASHER, {PP:80140018} M12 x 24 x 2.5, 14MM
8	84037399	1	COUPLING, QUICK, MALE, MALE
9	84037400	1	PROTECTION CAP,
10	84037425	2	CONNECTOR, HYD., 1/4"-3/8"
11	84037373	1	COUPLING, QUICK, MALE, FEMALE
12	338413	2	SCREW, {PP:80338413} Hex, M6 x 60, 8.8, M5X60
13	140014	4	WASHER, {PP:80140014} M5, 5MM
13	322356	2	WASHER, LOCK, {PP:80322356} 5MM
15	80399158	1	SWITCH, REMOTE CONTROL, 12V-5P
16	84042357	1	CONNECTOR, HYD., 10MM-1/4"
14	100013	2	NUT, {PP:80100013} M4, CI 8, M5

FOR 600N8X ONLY

ONLY VALID FROM SERIAL NO. --14001



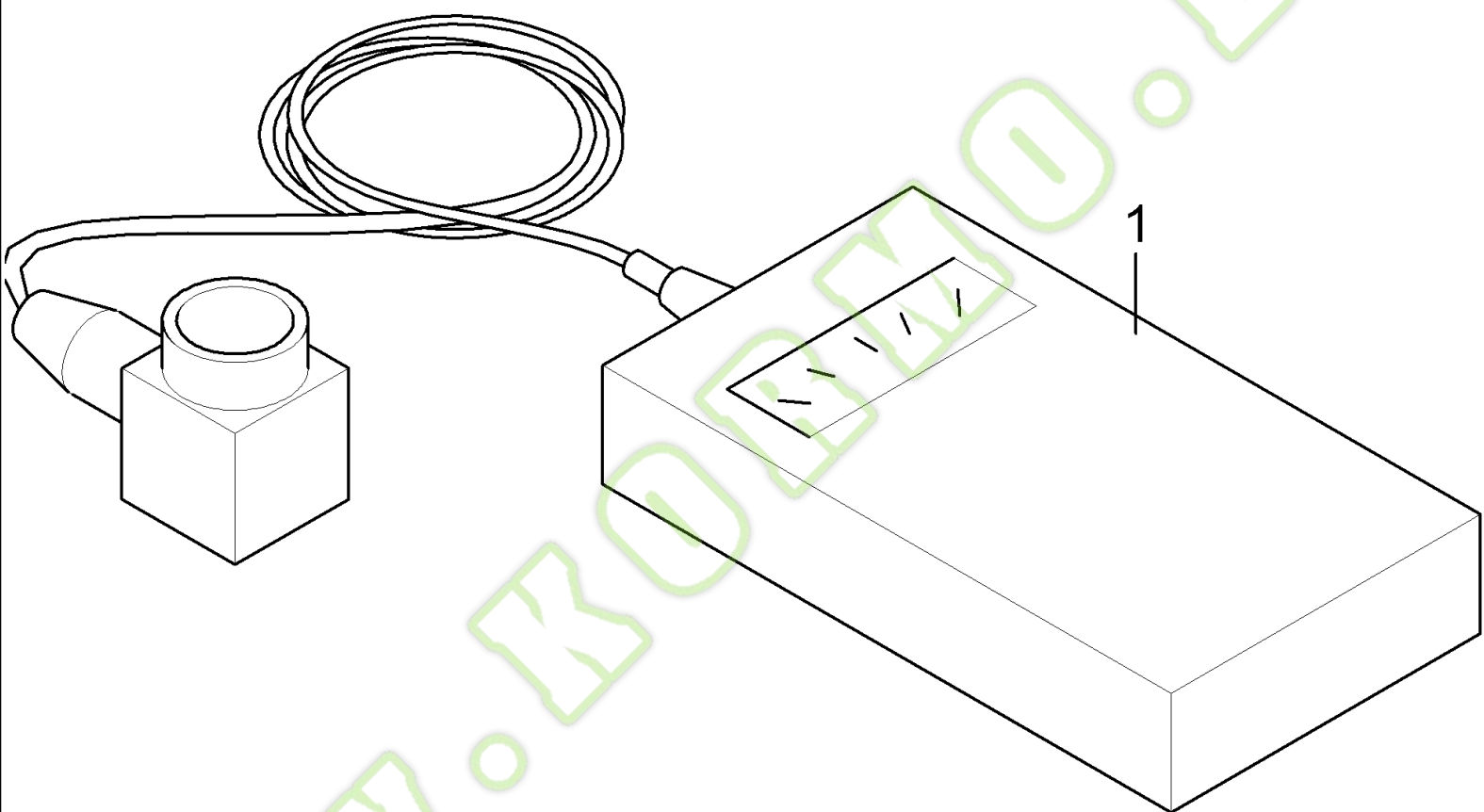
11.20(01) CENTRAL LUBRICATION: TUBES



## FX375 NH SELF PROPELLED FORAGE HARVESTER - YELLOW VERSION

## 11.20(01) CENTRAL LUBRICATION: TUBES

Ref	Part Number	Qty	Description
1	396718	AR	STRAP, {PP:80396718} BLACK (L=338MM)
1	9818147	AR	CLAMP, {PP:89818147} BLACK (L=186MM)
2	331619	AR	SCREW, {PP:80331619} M5X10
3	334697	AR	CLAMP, {PP:80334697} 20MM
3	356331	AR	CLAMP, {PP:80356331} 18X15MM
3	431352	AR	CLAMP, {PP:80431352} 12MM
3	675162	AR	CLAMP, WIRE, {PP:80675162} 6MM
3	84038383	AR	CLAMP, 16MM
3	84038384	AR	CLAMP, 18MM
3	84038916	AR	CLAMP, 8MM
3	9507809	AR	CLAMP, {PP:89507809} 10MM
4	84039176	AR	TUBE, RIGID, L=3M
5	84039177	AR	TUBE, RIGID, L=3M
6	84039178	AR	TUBE, RIGID, L=3M

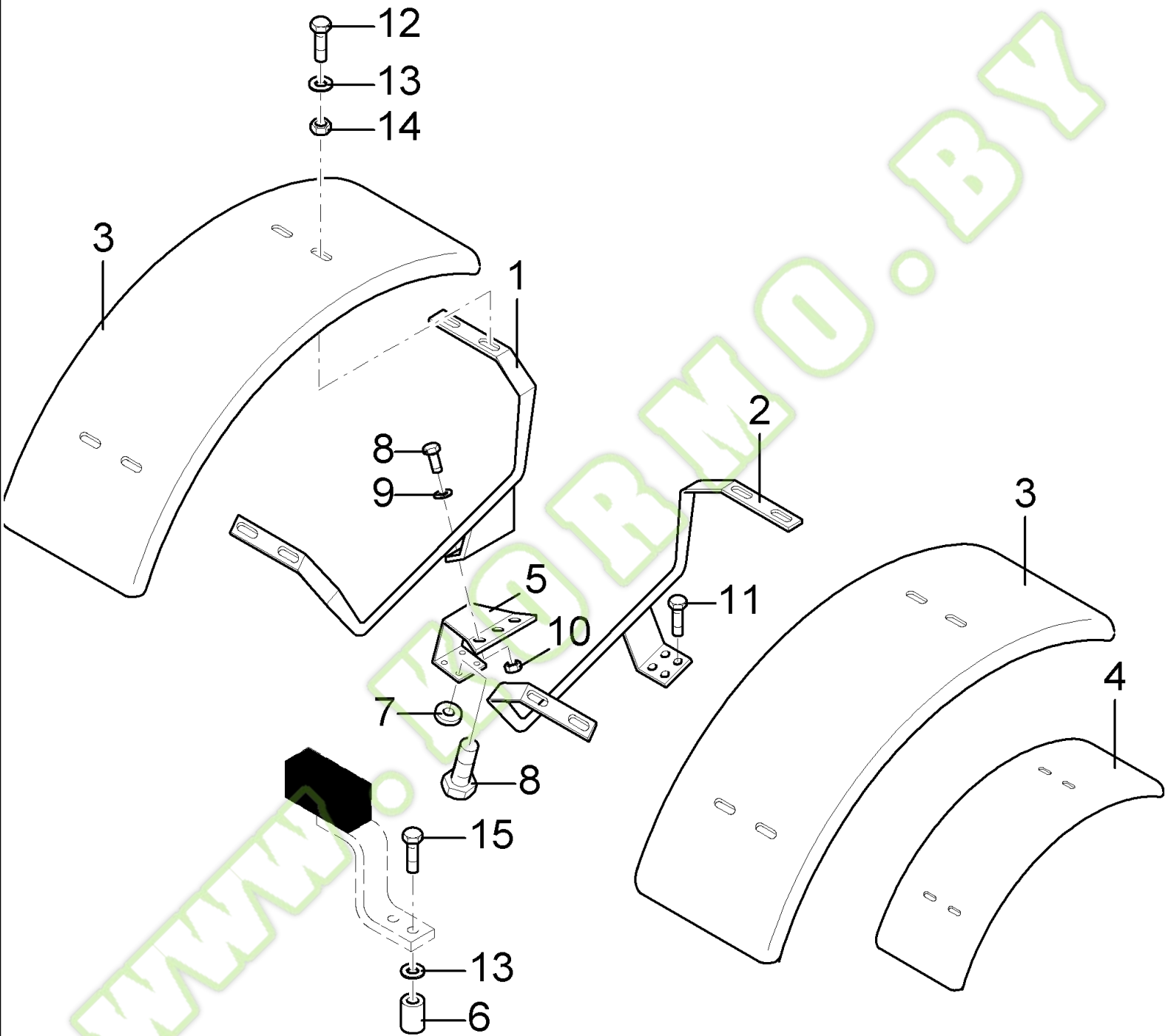




Ref	Part Number	Qty	Description
1	84040871	1	TESTER,

WWW.KORMO.BY

11.22(01) MUDGUARDS



## FX375 NH SELF PROPELLED FORAGE HARVESTER - YELLOW VERSION

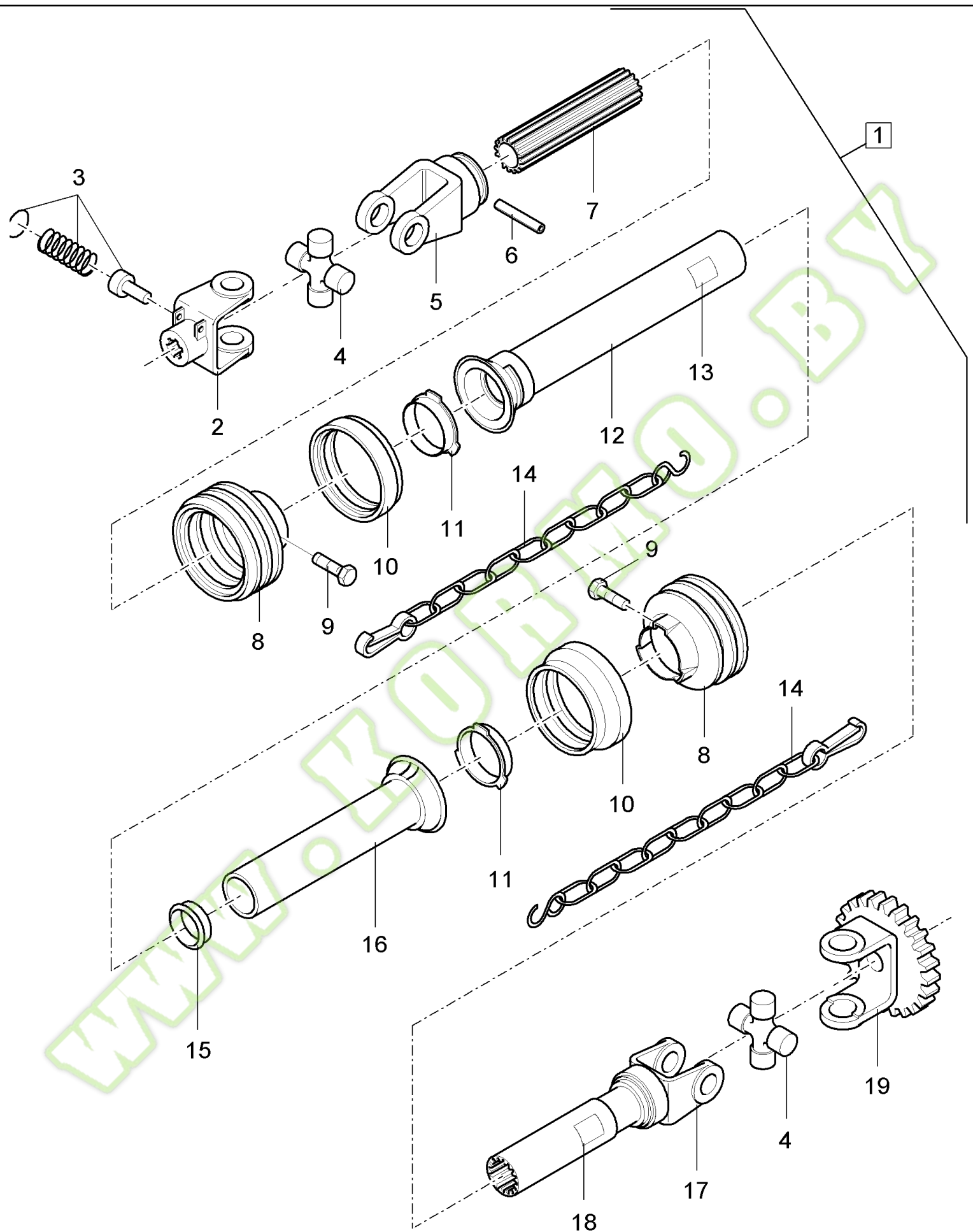
## 11.22(01) MUDGUARDS

Ref	Part Number	Qty	Description
1	84038991	1	FENDER, REAR, LH,4WD
1	84038999	1	FENDER, REAR, LH,2WD
2	84038992	1	FENDER, REAR, RH,4WD
2	84039000	1	FENDER, REAR, RH,2WD
3	9848831	2	FENDER, FRONT, {PP:89848831} FRONT
4	9844736	2	SUPPORT, {PP:89844736}
5	84038989	1	SUPPORT, 4WD
6	326136	2	SPACER, {PP:80326136} 4WD
7	144607	2	SPACER, {PP:80144607} 4WD
8	120122	3	SCREW, {PP:80120122} Hex, M12 x 50, 8.8, Full Thd, M12 x 50,4WD
9	140046	3	WASHER, LOCK, {PP:80140046} Belleville, M12, 12MM,4WD
10	337475	3	NUT, {PP:80337475} M12, CI 10, M12,4WD
11	410532	6	BOLT, {PP:80410532} Hex, M12 x 55, 12.9, M12 x 55,4WD
12	308761	8	SCREW, {PP:80308761} Short NK, M8 x 25, CI8.8, Full Thd, M8 x 25
13	322358	10	WASHER, LOCK, {PP:80322358} Belleville, M8, 8MM
14	100015	8	NUT, {PP:80100015} M8, CI 8, M8
15	120106	2	SCREW, {PP:80120106} Hex, M8 x 40, 8.8, Full Thd, Hex, M8 x 40, 8.8, Full Thd, 4WD

FOR 30KM/H KIT



12.014A(01) POWER TAKE-OFF GROUP



## FX375 NH SELF PROPELLED FORAGE HARVESTER - YELLOW VERSION

## 12.014A(01) POWER TAKE-OFF GROUP

Ref	Part Number	Qty	Description
1	86555170	1	PTO, (2 TO 19)
2	86555146	1	YOKE, 1-3/8",21-spline
3	744051	1	KIT, {PP:80744051}
4	456752	2	CIRCLIP, {PP:80456752} Incl. snap rings, caps, lube fittings & plug
5	9827263	1	YOKE, {PP:89827263} 40X36
6	440437	1	PIN, ROLL, {PP:80440437} M10 x 80 Slotted, 10X80
7	86555151	1	SHAFT, 40X36
8	86575347	2	SHIELD, 6-rib
9	321803	2	BOLT, {PP:80321803} Cross Pan Hd, M4 x 10, M4X10
10	456679	2	COLLAR, {PP:80456679}
11	411728	2	RING, {PP:80411728}
12	86574868	1	SHIELD, OUTER, Outer
13	849471	1	DECAL, {PP:80849471} Safety
14	379650	2	CHAIN, {PP:80379650} Safety
15	277860	1	BEARING ASSY, {PP:80277860}
16	86574869	1	SHIELD, INNER, Inner
17	86555152	1	YOKE,
18	9821933	1	DECAL, {PP:89821933} Safety
19	86555169	1	YOKE,

HEAVY DUTY PTO



WWW.KORMO.BY