

# ***Attachments***

***for 355W NH WINDROW PICK-UP UNIT (11/98- )***

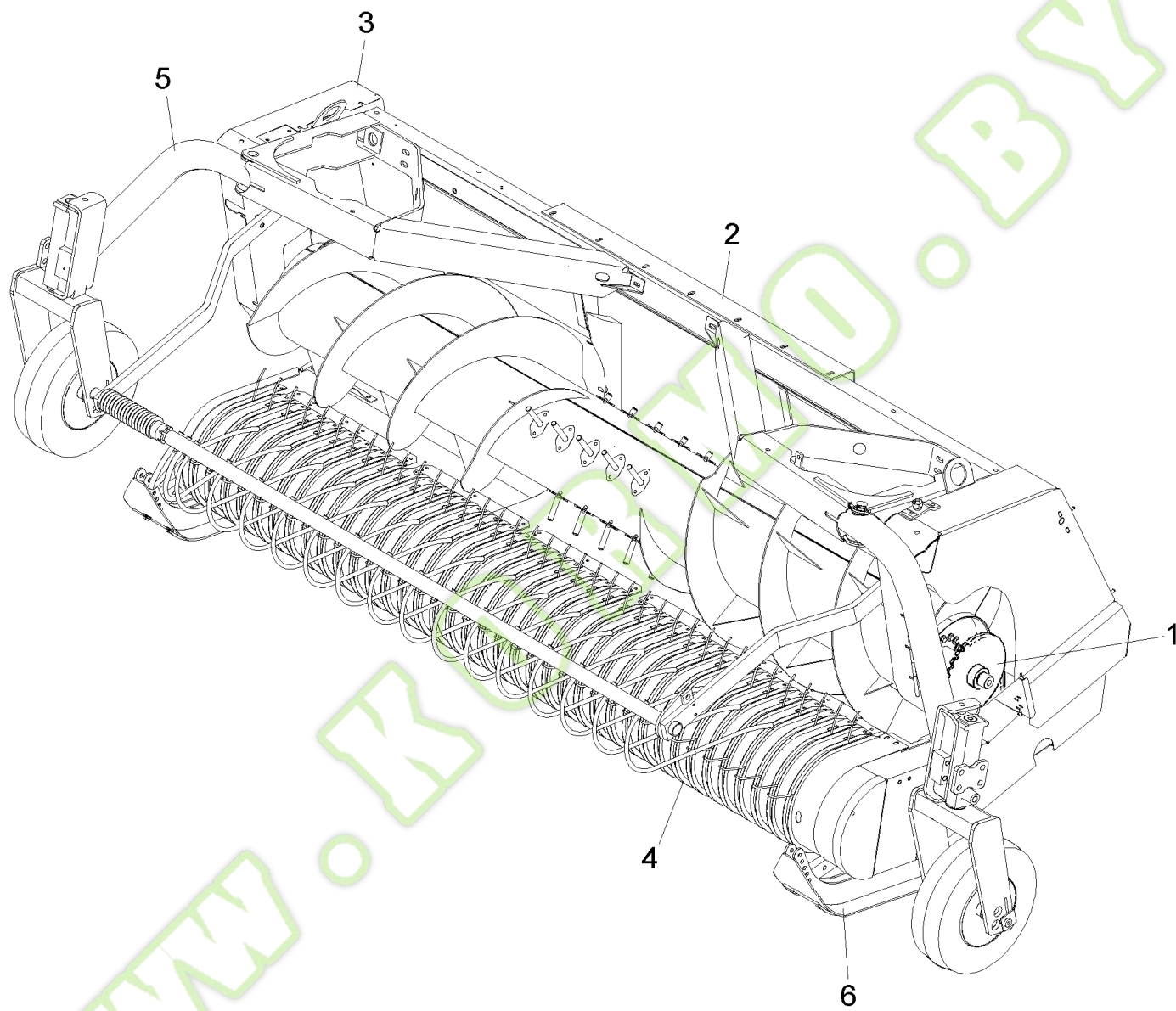
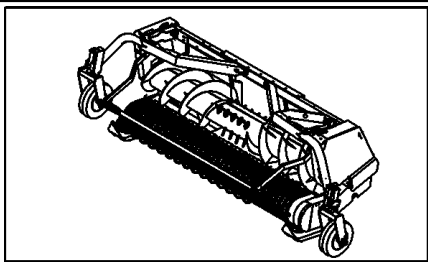
---

**FX28 SELF-PROPELLED FORAGE HARVESTER (9/98-)**

**FX58 SELF-PROPELLED FORAGE HARVESTER (9/98-)**

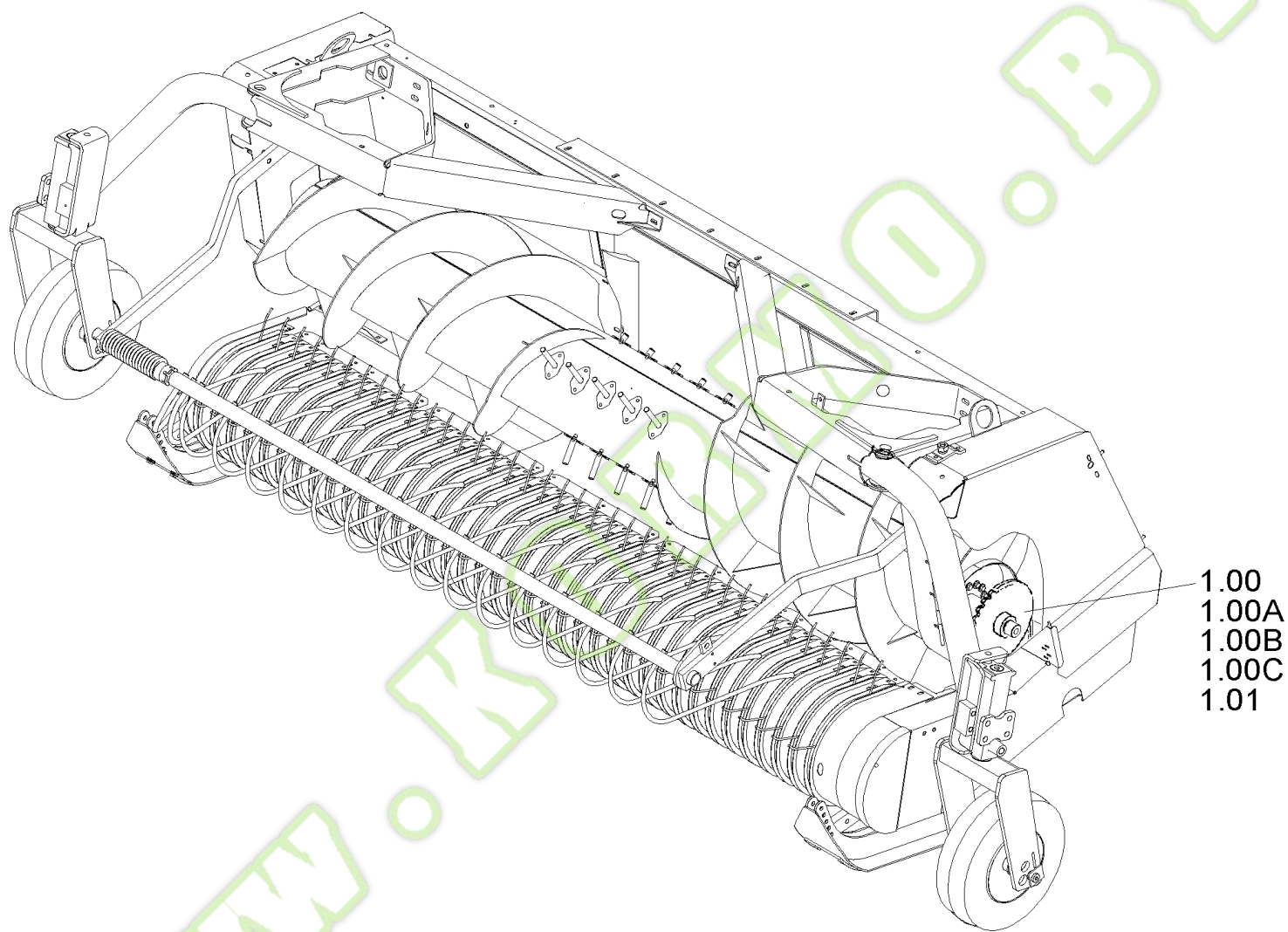
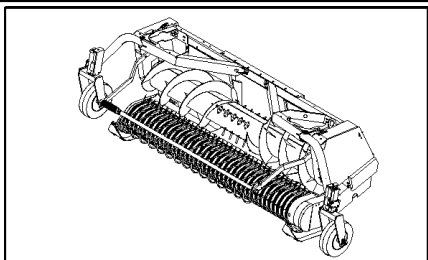
[WWW.KORMO.BY](http://WWW.KORMO.BY)

.01 PICTORIAL INDEX OF SECTIONS



.01 PICTORIAL INDEX OF SECTIONS

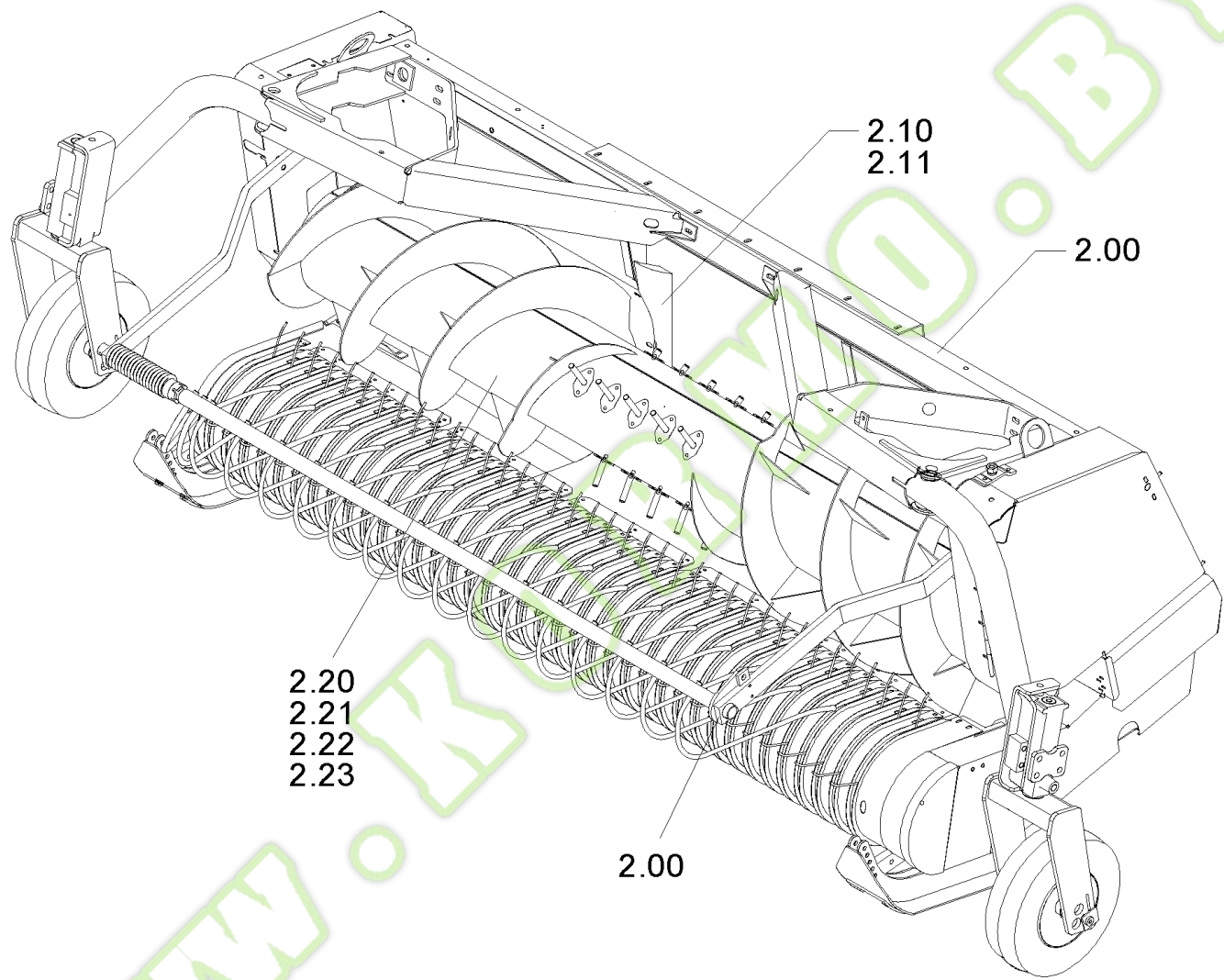
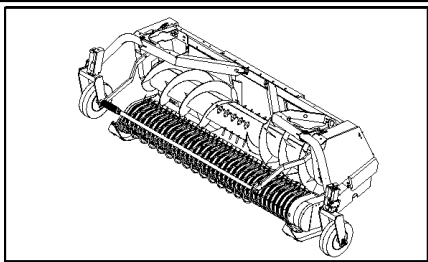
Ref	Part Number	Qty	Description
<p>WWW.KORMO.BY</p>			



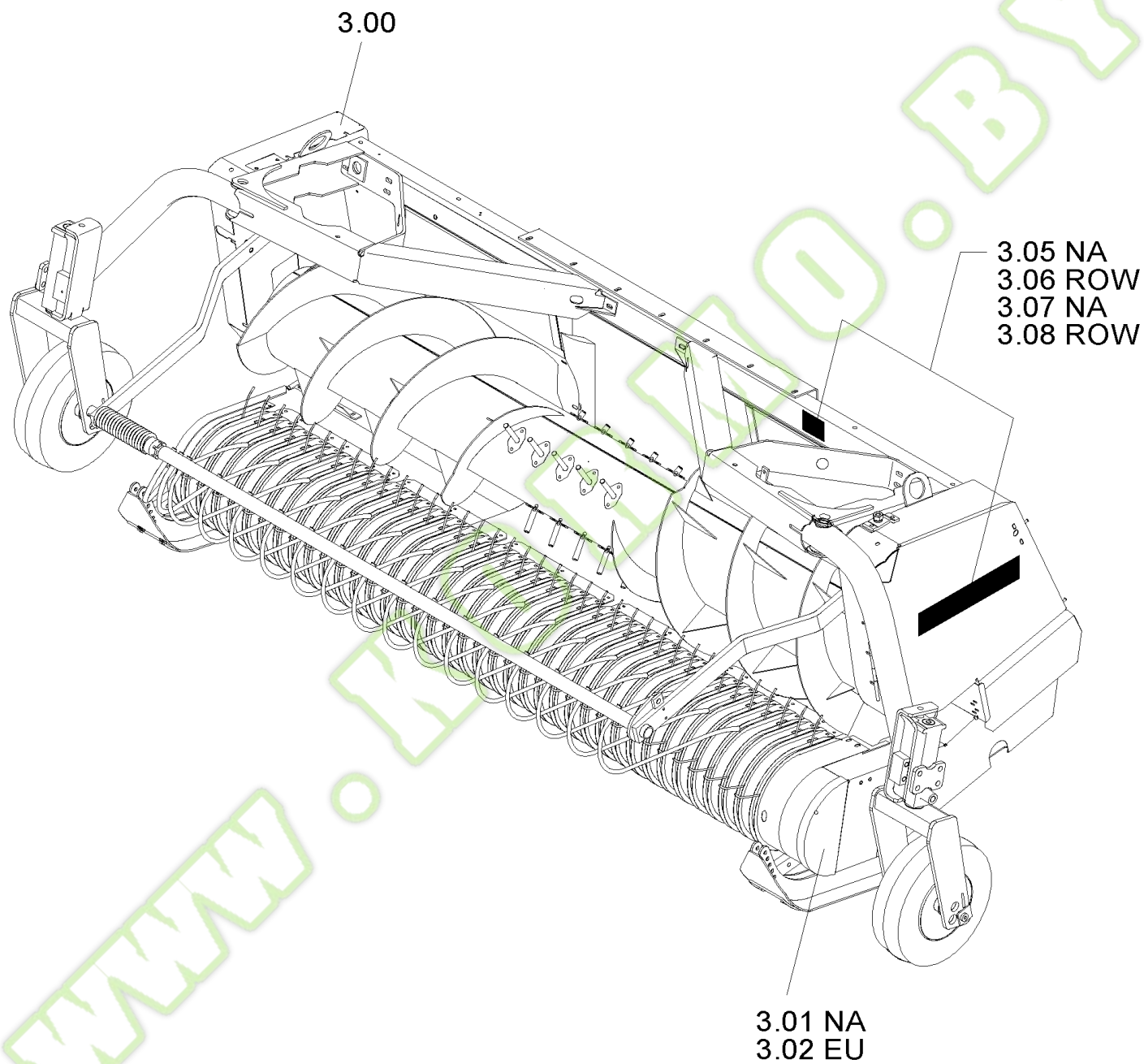
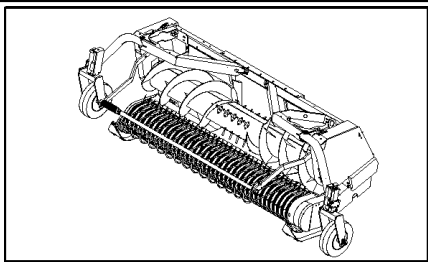
1.00  
1.00A  
1.00B  
1.00C  
1.01



Ref	Part Number	Qty	Description
<p>WWW.KORMO.BY</p>			

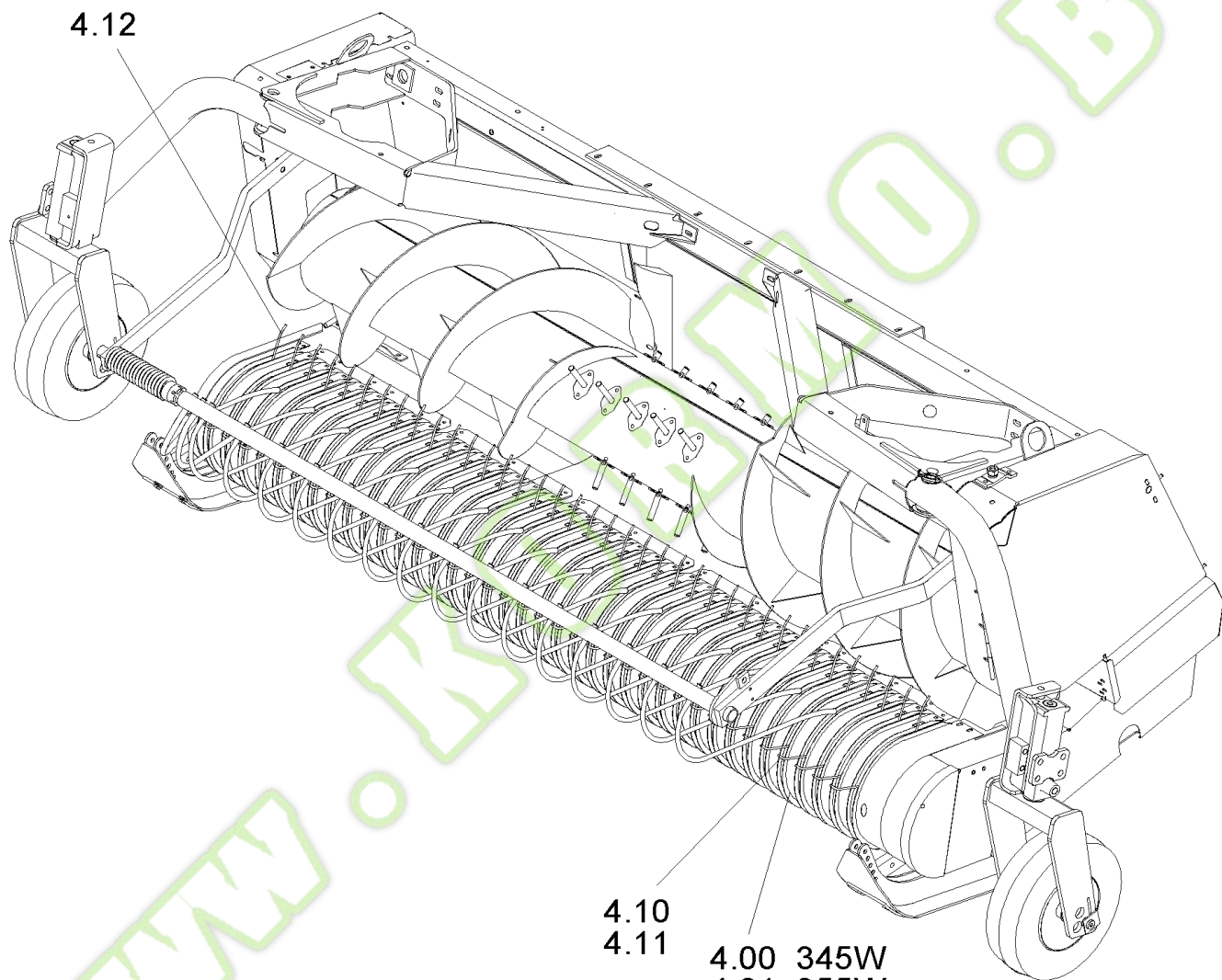
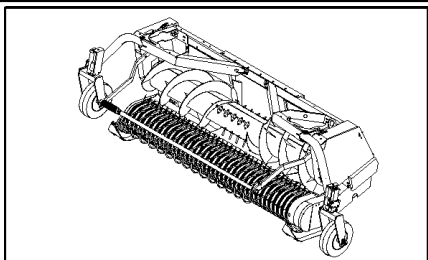


Ref	Part Number	Qty	Description
<p>WWW.KORMO.BY</p>			





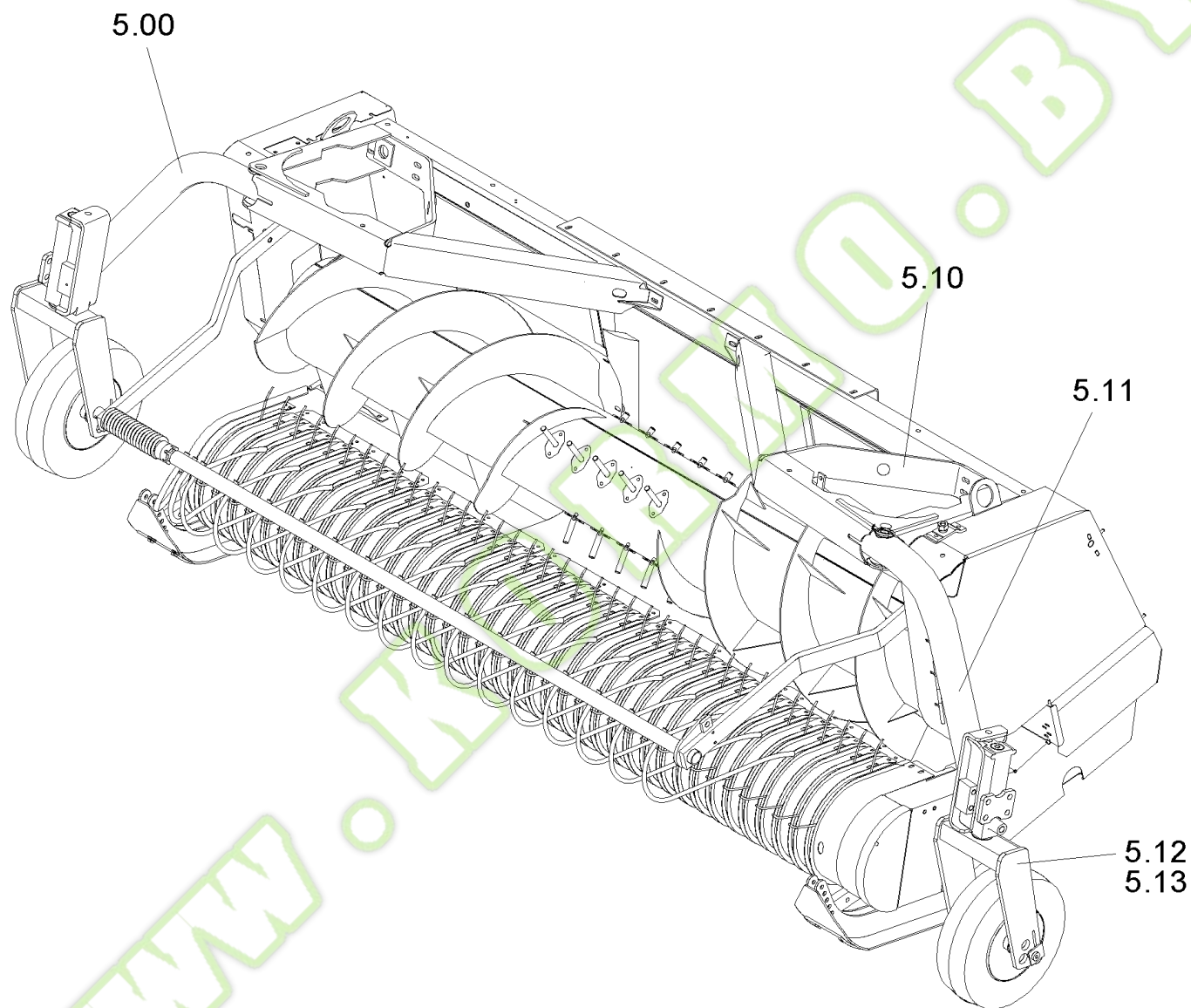
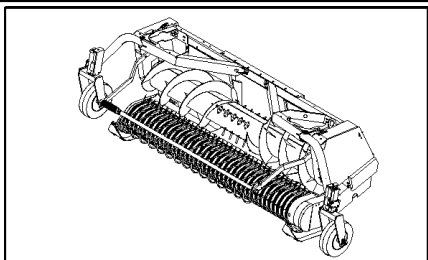
Ref	Part Number	Qty	Description
<p>WWW.KORMO.BY</p>			



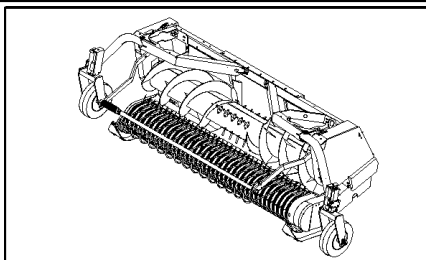
- 4.10
- 4.11
- 4.00 345W
- 4.01 355W
- 4.02 365W



Ref	Part Number	Qty	Description
<p>WWW.KORMO.BY</p>			



Ref	Part Number	Qty	Description
<p>WWW.KORMO.BY</p>			

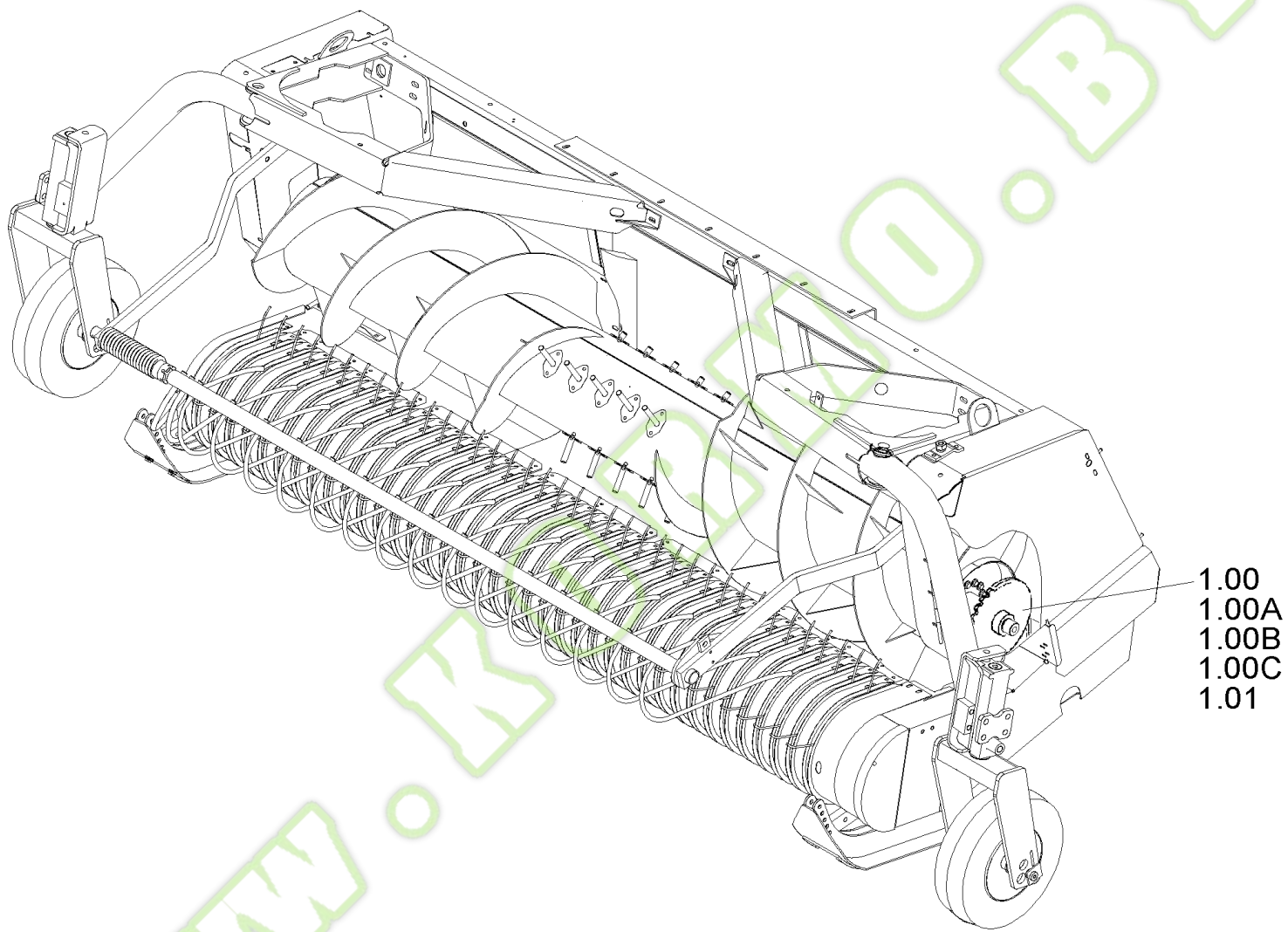
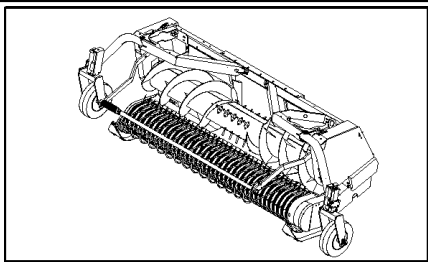


6.04

6.01  
6.02  
6.03



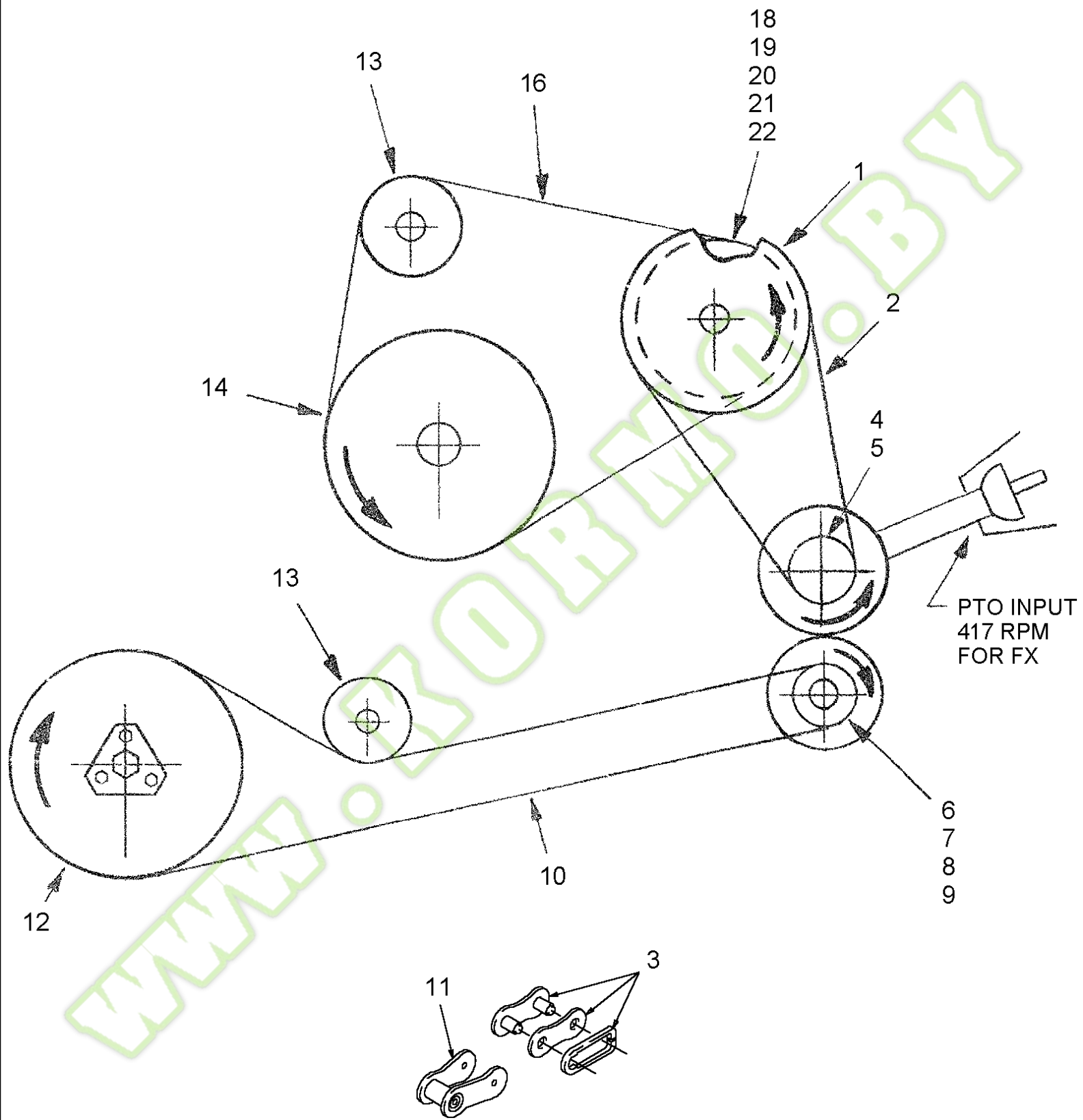
Ref	Part Number	Qty	Description
<p>WWW.KORMO.BY</p>			





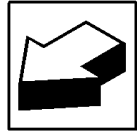
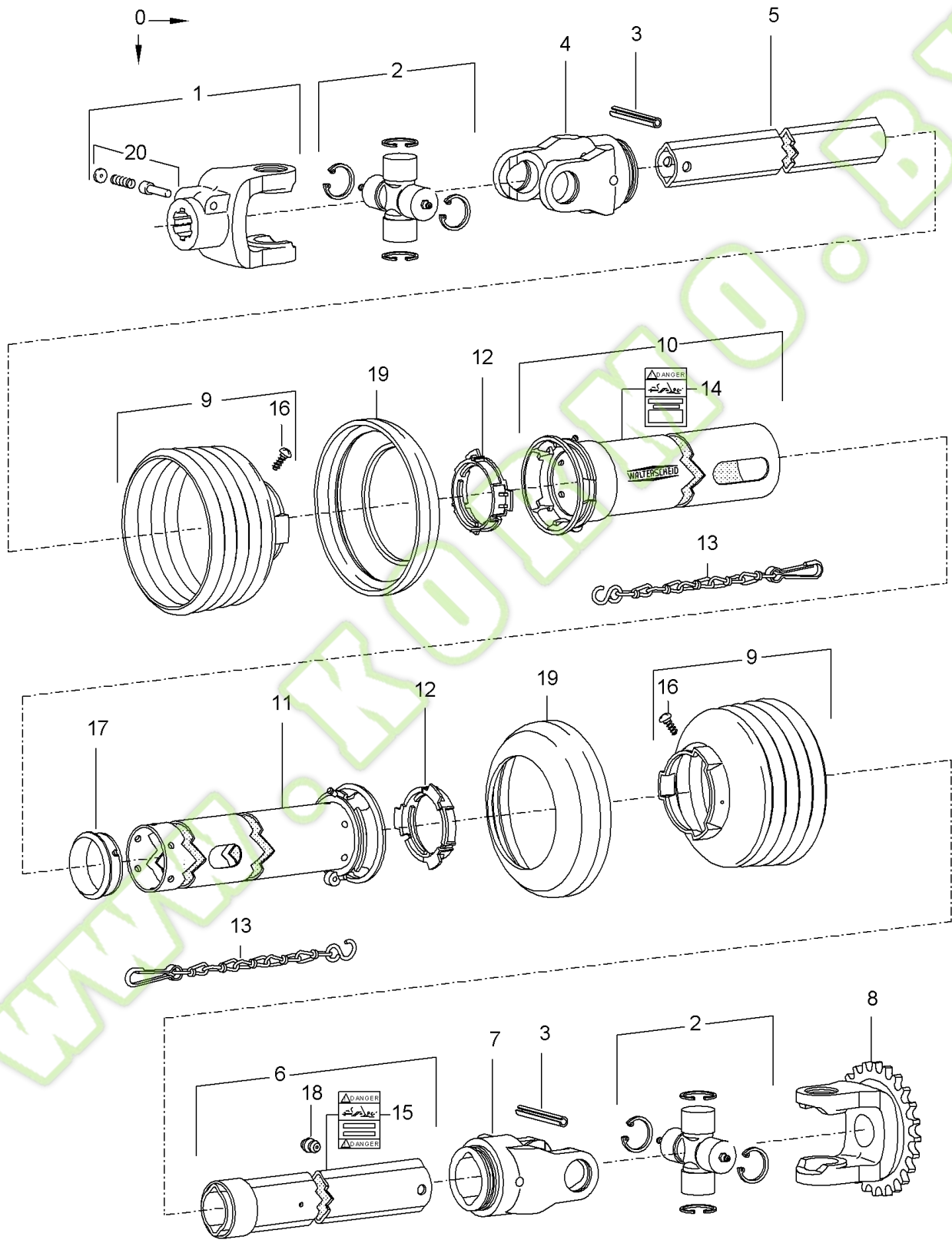
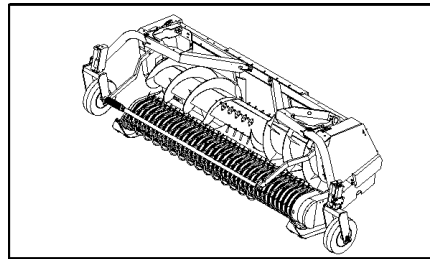
Ref	Part Number	Qty	Description
<p>WWW.KORMO.BY</p>			

1.00 DRIVE SCHEMATIC



## 1.00 DRIVE SCHEMATIC

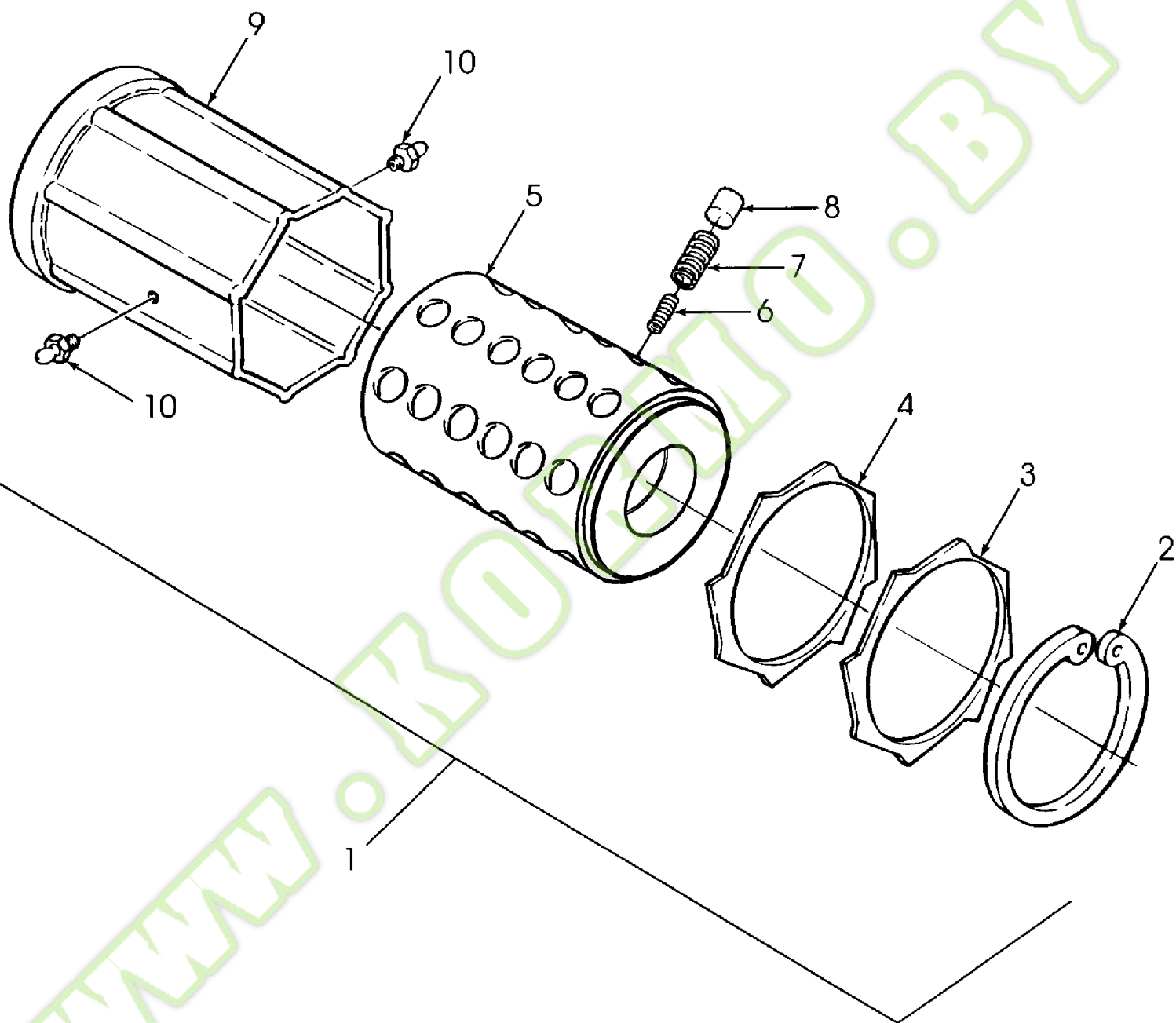
Ref	Part Number	Qty	Description
1	86542739	1	SPROCKET, DRIVEN, 25T
2	86544199	1	CHAIN, RC 100, 58 Links
2	86563356	1	CHAIN, Roller, RC 80, 46 Pitches, Chrome
3	86643889	AR	LINK, CONNECTING, Roller, RC 80, Cotter Style
3	86537459	AR	LINK, CONNECTING, Roller, RC 80, Cotter Style, Chrome
4	86533386	1	SPROCKET, DRIVEN, 16T, RC80, 10 Holes
5	86548116	1	SPROCKET, DRIVEN, 16T, RC80, 8 Holes
6	86548165	1	SPROCKET, DRIVEN, 10T
7	772892	1	SPROCKET, {PP:80772892} 12T
8	9802837	1	SPROCKET, DRIVEN, {PP:89802837} 13T
9	86548166	1	SPROCKET, DRIVEN, 14T
10	86548163	1	CHAIN, Roller, RC 80, 81 Pitches
11	86555133	AR	CHAIN, Roller, RC 80, 89 Pitches
11	86977428	AR	LINK, CONNECTING, Roller, RC 80, Cotter Style
12	86548169	1	CLUTCH, SLIP, 31T
13	9809168	1	SPROCKET, {PP:89809168} 13T
14	86546200	1	SPROCKET, DRIVEN, 32T
14	86977200	1	SPROCKET, DRIVEN, 345W, 28T, Start Year: 03/02/2000
14	86604865	1	SPROCKET, DRIVEN, 345W, 24T, Start Year: 03/02/2000
14	86977199	1	SPROCKET, DRIVEN, 355W/365W, 28T, Start Year: 03/02/2000
14	86977202	1	SPROCKET, DRIVEN, 355W/365W, 24T, Start Year: 03/02/2000
15	86541013	1	SPROCKET, DRIVEN, 32T
16	86557074	1	CHAIN, Roller, RC 80, 56 Pitches, Chrome, Endless
16	9802985	1	CHAIN, {PP:89802985} Roller, RC 80, 56 Pitches
18	86525142	1	SPROCKET, DRIVEN, 21T, RC80
19	86512740	1	SPROCKET, 19T, RC80
20	86977172	1	SPROCKET, 17T, RC80
21	86977173	1	SPROCKET, 15T, RC80
22	86512743	1	SPROCKET, DRIVEN, 13T, RC80



## 355W NH WINDROW PICK-UP UNIT (11/98- )

## 1.00B PTO (86546203) BREAKDOWN

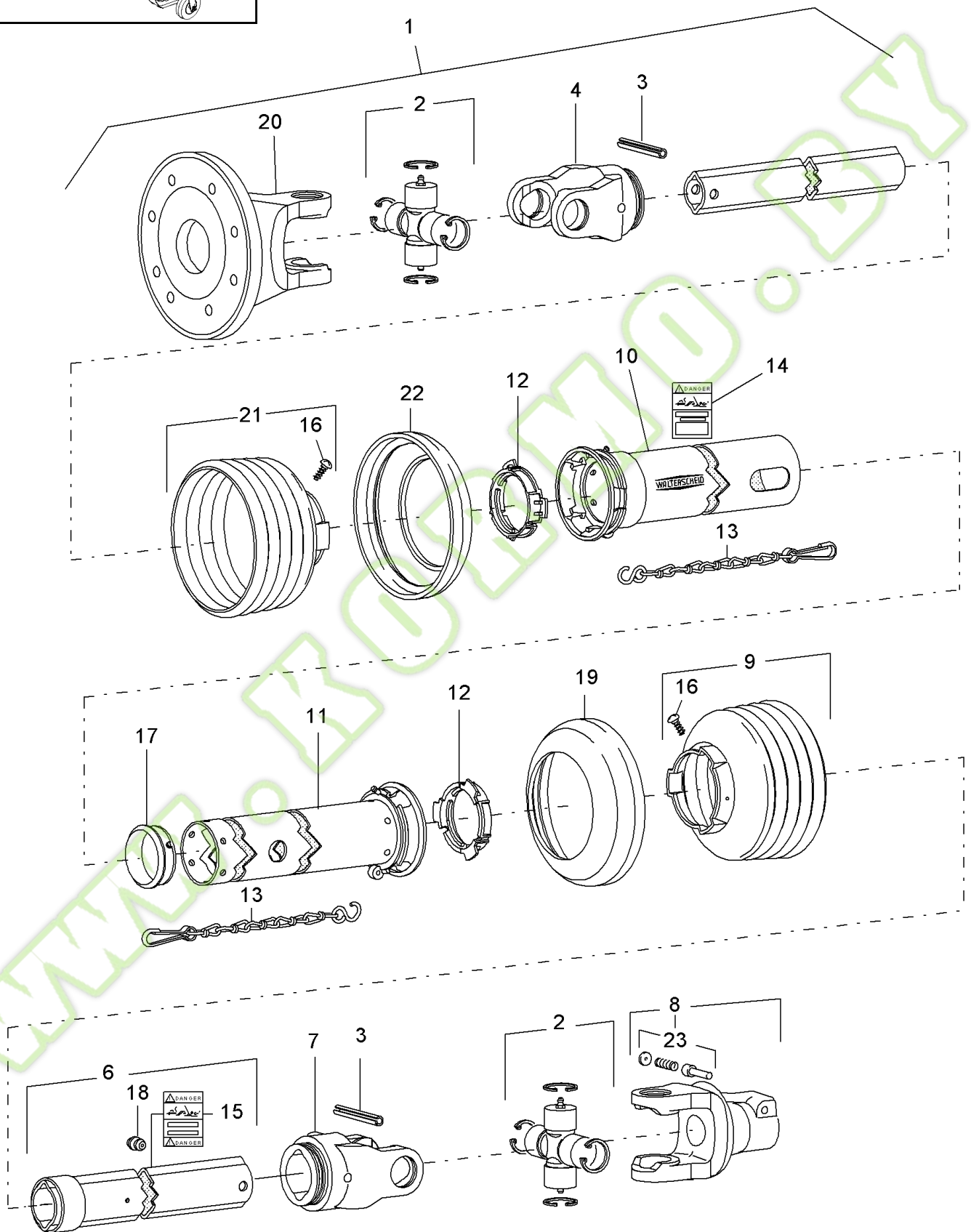
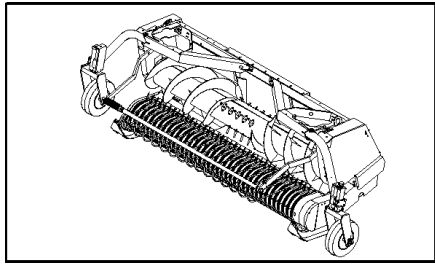
Ref	Part Number	Qty	Description
0	86546203	1	PTO, Assy.
1	86555146	1	YOKE, Quick-disconnect
2	86574861	2	SPIDER, Kit, Cross & Bearing
3	440437	1	PIN, ROLL, {PP:80440437} M10 x 80 Slotted, M10 x 80
4	734185	1	YOKE, {PP:80734185}
5	86574862	1	PROFILE, Inner
6	86574863	1	SLEEVE, Profile, Outer
7	734265	1	YOKE, {PP:80734265} Inboard
8	86552561	1	YOKE,
9	86575347	2	SHIELD, Cone, 6-rib
10	86574870	1	SHIELD, Outer
11	86574871	1	SHIELD, Inner
12	411728	2	RING, {PP:80411728} Bearing
13	379650	2	CHAIN, {PP:80379650} Safety
14	849471	1	DECAL, {PP:80849471} DANGER, Rotating Driveline
15	849472	1	DECAL, {PP:80849472} DANGER, Shield Missing
16	86585706	2	SCREW, Cross Pan Hd, M4 x 10, Pan Hd, CL 4.8, M4 x .7 x 10
17	277860	1	BEARING ASSY, {PP:80277860} Support
18	750220	1	NIPPLE, LUBE, {PP:80750220} Fitting
19	456679	2	COLLAR, {PP:80456679} Reinforcing
20	744051	1	KIT, {PP:80744051} Quick-disconnect Pin



## 355W NH WINDROW PICK-UP UNIT (11/98- )

## 1.00D RADIAL PIN CLUTCH (86512112 &amp; 86533364) BREAKDOWN

Ref	Part Number	Qty	Description
1	86512112	1	CLUTCH, Radial Pin [2 thru 9], 345W
1	86533364	1	CLUTCH, SLIP, Radial Pin [2 thru 9], 355W & 365W
2	80300633	1	RING, SNAP, Ring, Snap, Int, M80
3	418509	1	RING, {PP:80418509} Thrust
4	9803341	1	SEAL, {PP:89803341}
5	86513159	1	HUB, 1-3/8", 21-spline,, 345W
5	86551362	1	HUB, 1-3/8", 21-spline,, 355W & 365W
6	279346	36	SPRING, {PP:80279346} Inner, 345W
6	279346	33	SPRING, {PP:80279346} Inner, 355W & 365W
7	386510	40	SPRING, {PP:80386510} Outer, 345W
7	386510	48	SPRING, {PP:80386510} Outer, 355W & 365W
8	275246	40	CAM, {PP:80275246} , 345W
8	275246	48	CAM, {PP:80275246} , 355W & 365W
9	86513158	1	HOUSING, Clutch [10], 345W
9	86551361	1	HOUSING, Clutch [10], 355W & 365W
10	412014	2	NIPPLE, LUBE, {PP:80412014} Fitting, Lube



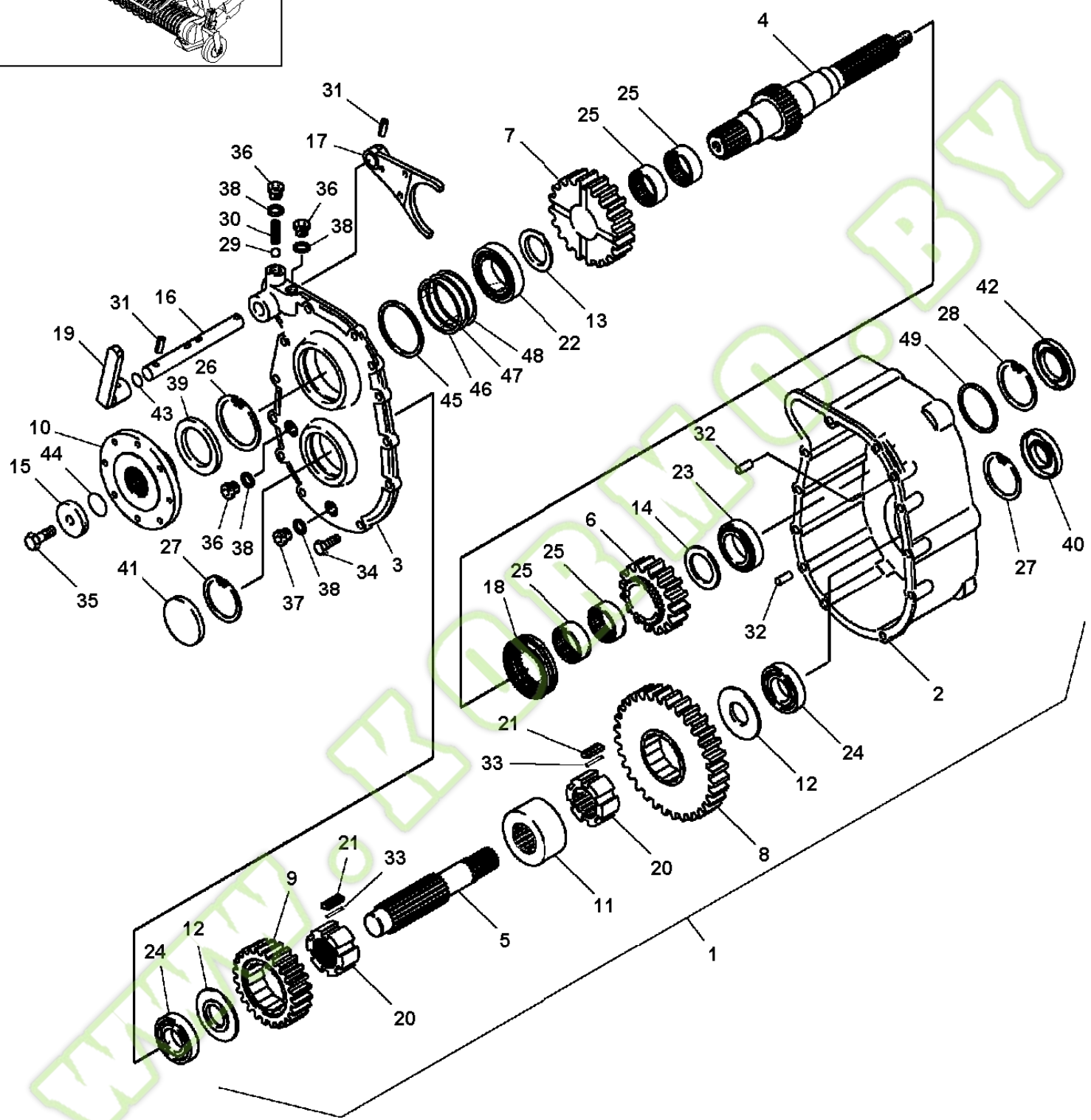
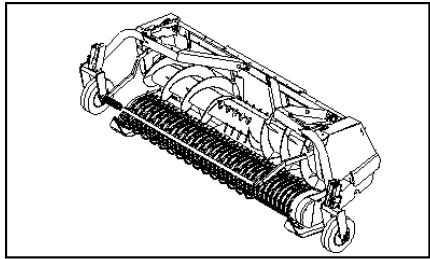


## 355W NH WINDROW PICK-UP UNIT (11/98- )

1.00F PTO, 355W TO 356W

Ref	Part Number	Qty	Description
1	87013288	1	PTO,
2	86574861	2	SPIDER, Kit, Cross & Bearing
3	440437	1	PIN, ROLL, {PP:80440437} M10 x 80 Slotted, M10 x 80
4	734185	1	YOKE, {PP:80734185}
5	86574862	1	PROFILE, Inner
6	86574863	1	SLEEVE, Profile, Outer
7	734265	1	YOKE, {PP:80734265} Inboard
8	87013291	1	YOKE,
9	87013292	2	CONE, 9-Rib
10	87013295	1	SHIELD, OUTER,
11	87013296	1	SHIELD, INNER,
12	411728	2	RING, {PP:80411728} Bearing
13	379650	2	CHAIN, {PP:80379650} Safety
14	849471	1	DECAL, {PP:80849471} DANGER, Rotating Driveline
15	849472	1	DECAL, {PP:80849472} DANGER, Shield Missing
16	86585706	2	SCREW, Cross Pan Hd, M4 x 10, Pan Hd, CL 4.8, M4 x 0.7 x 10
17	277860	1	BEARING ASSY, {PP:80277860} Support
18	750220	1	NIPPLE, LUBE, {PP:80750220} Fitting
19	456679	1	COLLAR, {PP:80456679} Reinforcing
20	87013290	1	FLANGE,
21	87025960	1	CONE, 8 Rib
22	456570	1	REINFORCEMENT, {PP:80456570} Collar
23	279472	1	KIT, REPAIR, {PP:80279472} Pin

1.00G GEARBOX



## 1.00G GEARBOX

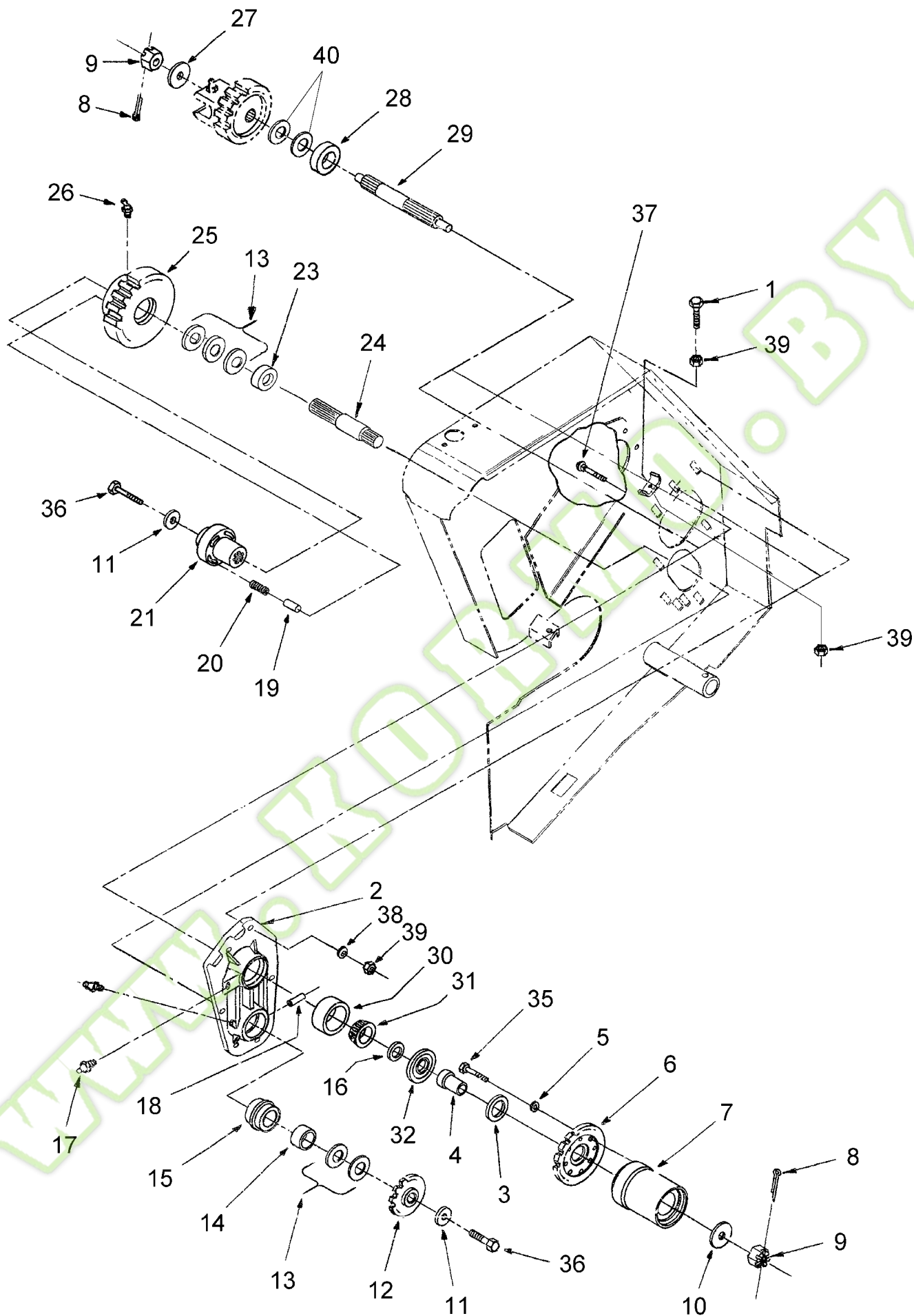
Ref	Part Number	Qty	Description
1	87022331	1	GEARBOX,
2	87027267	1	GEARBOX, Housing
3	87027268	1	COVER,
4	87027269	1	SHAFT,
5	87027270	1	SHAFT,
6	87027271	1	GEAR, 16T, Cylindrical
7	87027272	1	GEAR, 20T, Cylindrical
8	87027273	1	GEAR, 31T, Cylindrical
9	87027274	1	GEAR, 25T, Cylindrical
10	87027275	1	FLANGE,
11	87027276	1	HUB, Splined
12	87027277	2	WASHER,
13	87027278	1	SPACER,
14	87027279	1	WASHER,
15	87027280	1	WASHER,
16	87027281	1	ROD, Shifter, Clutch Axle
17	87027282	1	FORK, SHIFTER, Shifter, Clutch Fork
18	87027283	1	GEAR, RING, Ring, Clutch Ring
19	87027284	1	HANDLE, Shifter, Clutch Stick
20	87027285	2	HUB,
21	87027286	2	WOODRUFF KEY,
22	87027287	1	BEARING, ROLLER, Roller, Taper
23	87027288	1	BEARING, ROLLER, Roller, Taper
24	87027289	2	BEARING, BALL, Ball, Single Row, Deep Groove
25	87027290	4	BEARING, NEEDLE, Needle
26	370021	1	CIRCLIP, {PP:80370021} M85 x 3, Int, Inid, 85 x 3
27	370018	2	RING, SNAP, {PP:80370018} Inid, 72 x 2.5
28	382103	1	CIRCLIP, {PP:80382103} Inid, 75 x 2.5
29	87027291	1	BALL,
30	87027292	1	SPRING, Compression
31	300871	2	PIN, ROLL, M8 x 30, Slotted, 8 x 30
32	87027293	2	PIN, Dowel
33	87027294	2	SPRING, LEAF, Flat, Leaf
34	43140	10	BOLT, {PP:80043140} Hex, M10 x 30, 8.8, Cap, HH, CL 8.8, M10 x 1.5 x 30
35	300389	1	SCREW, {PP:80300389} Hex, M12 x 35, 8.8, Full Thd, Cap, HH, CL 8.8, M12 x 1.75 x 35
36	86598045	3	PLUG, Hex Socket, M16 x 1.5
37	87027295	1	PLUG, Hex Socket, M16 x 1.5, Magnetic
38	86980242	4	SEAL, A16 x 20
39	87027296	1	SEAL, AS, M60 x 85 x 8
40	86539169	1	SEAL, AS, M35 x 72 x 10
41	87027297	1	CAP, M72 x 9
42	87027298	1	SEAL, AS, M45 x 75 x 08
43	87027299	1	RING, M19.4 x 2.1
44	87027300	1	RING, M36 x 5.0
45	87027301	1	SHIM, M75 x 85 x 3.5

## 1.00G GEARBOX

Ref	Part Number	Qty	Description
46	87027302	2	SHIM, M75 x 85 x 0.1
47	87027303	2	SHIM, M75 x 85 x 0.3
48	87027304	1	SHIM, M75 x 85 x 0.5
49	87027305	1	SHIM, M66 x 75 x 3

WWW.KORMO.BY

1.01 DRIVE



Parts shown in phantom can be found on Figure 1.01 of Models 345W, 355W, 365W service parts catalog.

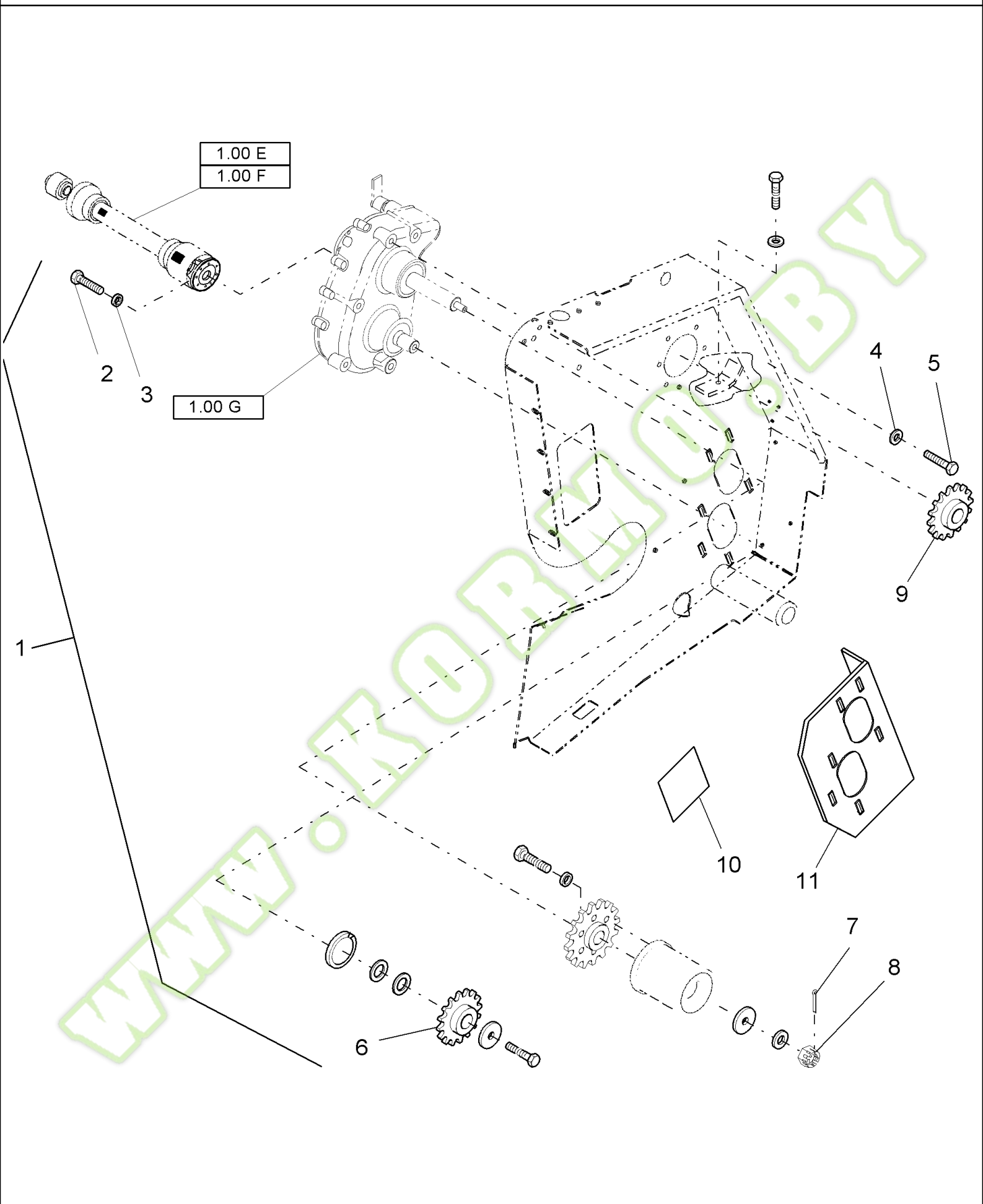
## 355W NH WINDROW PICK-UP UNIT (11/98-)

## 1.01 DRIVE

Ref	Part Number	Qty	Description
1	412498	1	BOLT, {PP:80412498} Hex, M12 x 65, 8.8, Full Thd, Cap, HH, CL 8.8, M12 x 1.75 x 65
2	86534038	1	HOUSING, BEARING,
3	255080	1	BUSHING, {PP:80255080}
4	86534059	1	SPACER,
5	285072	8	WASHER, {PP:80285072} Hardened, 3/8"
5	285072	10	WASHER, {PP:80285072} Hardened, 3/8", 355W & 365W
6	86548116	1	SPROCKET, DRIVEN, 16T, RC80, 8 Holes
6	86533386	1	SPROCKET, DRIVEN, 16T, RC80, 10 Holes
7	86512112	1	CLUTCH, Radial Pin, 345W
7	86533364	1	CLUTCH, SLIP, Radial Pin, 355W & 365W
8	130005	2	PIN, SPLIT (COTTER), {PP:80130005} M3.2 x 32, M3.2 x 32
9	87446	2	NUT, {PP:80087446} 5/8"-18, Slotted, G2, 5/8"-18
10	86979179	2	WASHER,
11	574245	2	WASHER, {PP:80574245} Hardened, Special, M16
12	772892	1	SPROCKET, {PP:80772892}
13	675	AR	WASHER, {PP:80000675}
14	9601873	1	SPACER, {PP:89601873}
15	86512781	1	BEARING ASSY,
16	164999	AR	WASHER, {PP:80164999} 1-3/8" ID
17	80710	2	NIPPLE, LUBE, {PP:80080710} 1/8"-27 x .66 lg, Fitting, 1/8"
18	87663	1	PIN, {PP:80087663} 1/8" x 3/4", Slotted, 1/8" x 3/4", Slotted
19	29860	2	PIN, {PP:80029860} Clutch, 1/2" x 1-3/8"
20	29840	2	SPRING, {PP:80029840}
21	86574262	1	CLUTCH,
23	788916	1	SPACER, {PP:80788916}
24	86539688	1	SHAFT,
25	86552705	1	GEAR, Spur, 25T
26	87569	1	NIPPLE, LUBE, {PP:80087569} 45e, 1/4" NPT x .80" lg, Drive, Self-tapping, 45°, 1/4"
27	122432	1	WASHER, {PP:80122432} Hardened, 5/8"
28	851494	1	BEARING, ROLLER, {PP:80851494}
29	86546198	1	SHAFT, 345W
29	86534036	1	SHAFT, 355W & 365W
30	517512	1	BEARING, CUP, {PP:80517512} Bearing, Cup, 2-7/8" OD
31	86516471	1	BEARING, CONE, Inner, 1-3/8" ID x 31/32" Wide
32	263804	1	SEAL, RUBBER, {PP:80263804}
35	11106031	8	SCREW, Hex, M10 x 20, 10.9, Full Thd, Cap, HH, M10-1.5 x 20, 345W, 345W
35	11106031	10	SCREW, Hex, M10 x 20, 10.9, Full Thd, Cap, HH, M10-1.5 x 20, 355W & 365W
36	43168	2	SCREW, {PP:80043168} Hex, M16 x 40, 8.8, Hex, M16 x 40, 8.8
37	328754	5	BOLT, {PP:80328754} Short NK, M12 x 40, Cl8.8, Full Thd, Carriage, Short Neck, CL 8.8, M12 x 1.75 x 40
38	140046	5	WASHER, LOCK, {PP:80140046} Belleville, M12, Belleville, M12
39	89706685	6	NUT, Nut, CL 8, M12 x 1.75
40	9800957	2AR	WASHER, {PP:89800957} Hardened, 1-3/8"

Parts shown in phantom can be found on Figure 1.01 of Models 345W, 355W, 365W service parts catalog.



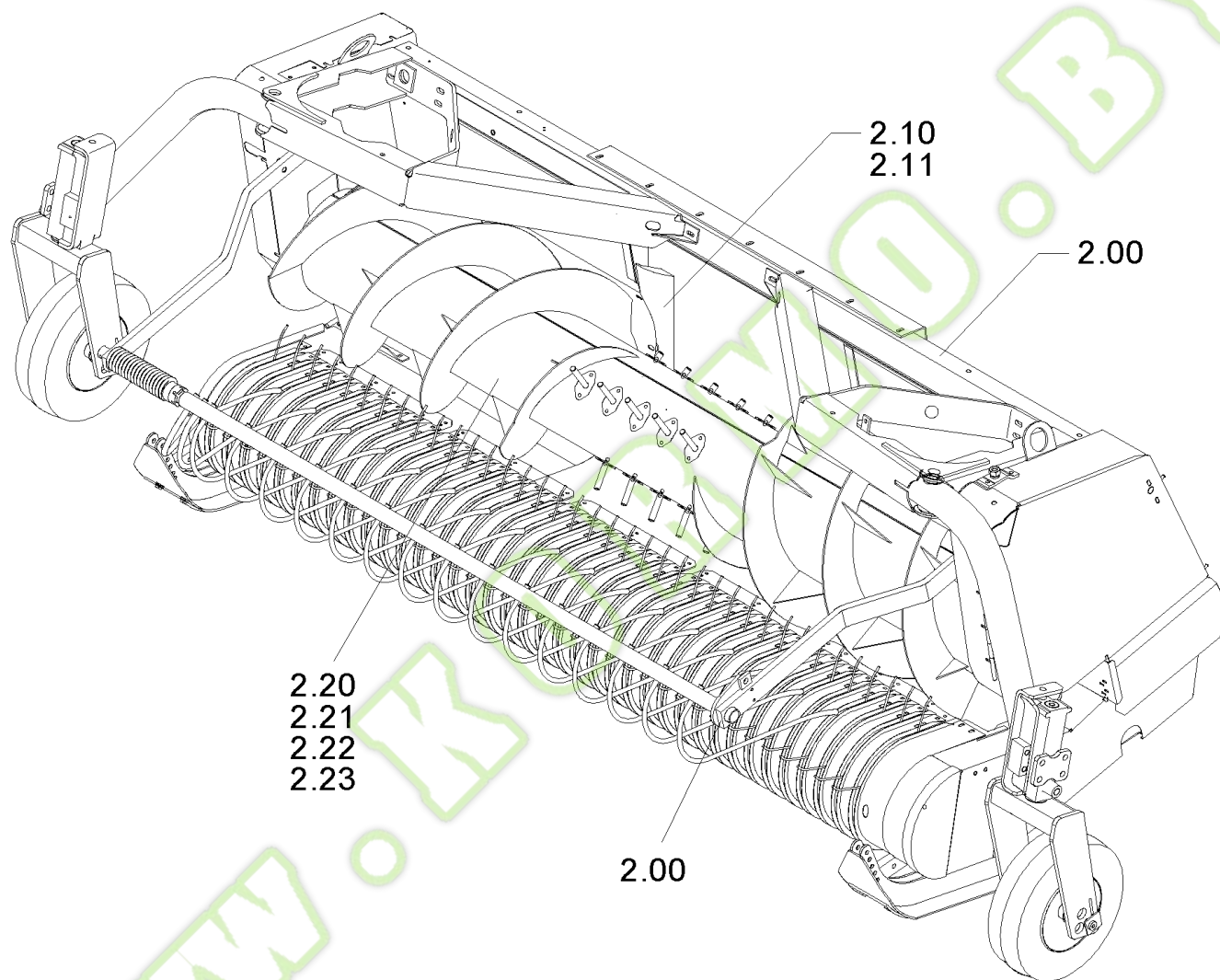
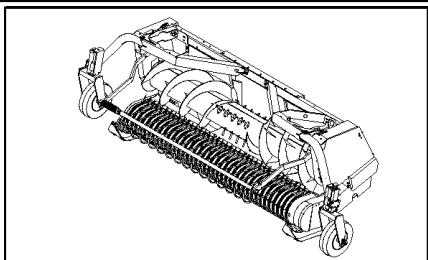


## 355W NH WINDROW PICK-UP UNIT (11/98- )

## 1.02 KIT, REBUILD 345W/355W TO 346W/356W

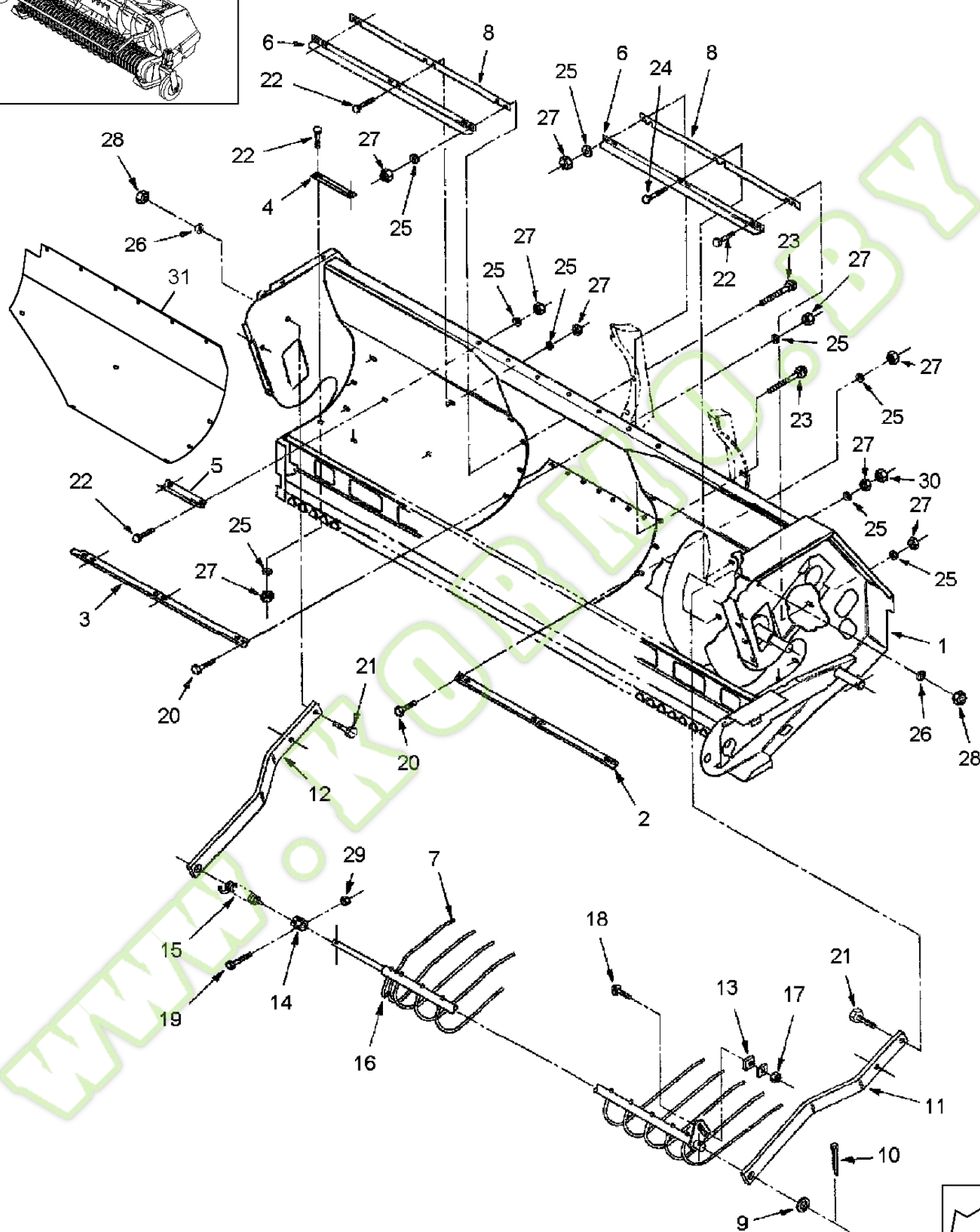
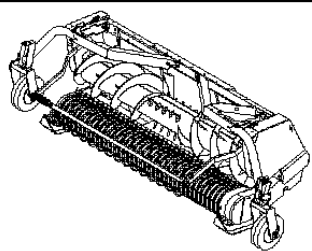
Ref	Part Number	Qty	Description
1	87030397	1	KIT, CONVERSION, 345W To 346W
1	87030403	1	KIT, CONVERSION, 355W To 356W
2	43140	8	BOLT, {PP:80043140} Hex, M10 x 30, 8.8, Cap, HH, CL 8.8, M10 x 1.5 x 30
3	140045	8	WASHER, LOCK, {PP:80140045} Belleville, M10, Belleville, M10
4	86592701	6	WASHER, M12 x 35 x 5, HT, HT, M12
5	9706687	6	SCREW, {PP:89706687} Hex, M12 x 30, 8.8, Cap, HH, CL 8.8, M12 x 1.75 x 30
6	86837912	1	SPROCKET, 17T
7	412685	1	PIN, SPLIT (COTTER), {PP:80412685} M4 x 32, 4 x 32
8	412145	1	SLOTTED NUT, {PP:80412145} M16 x 1.5, Cl 8, M16 x 1.5, Fine Thrd
9	87017905	1	SPROCKET, 13T
10	87024526	1	DECAL, Sprocket Sizes
11	NSS	1	NOT SERVICED SEPARATELY, Gearbox Support, Welded [4 Templates Provided]





Ref	Part Number	Qty	Description
<p>WWW.KORMO.BY</p>			

2.00 MAIN FRAME



## 355W NH WINDROW PICK-UP UNIT (11/98- )

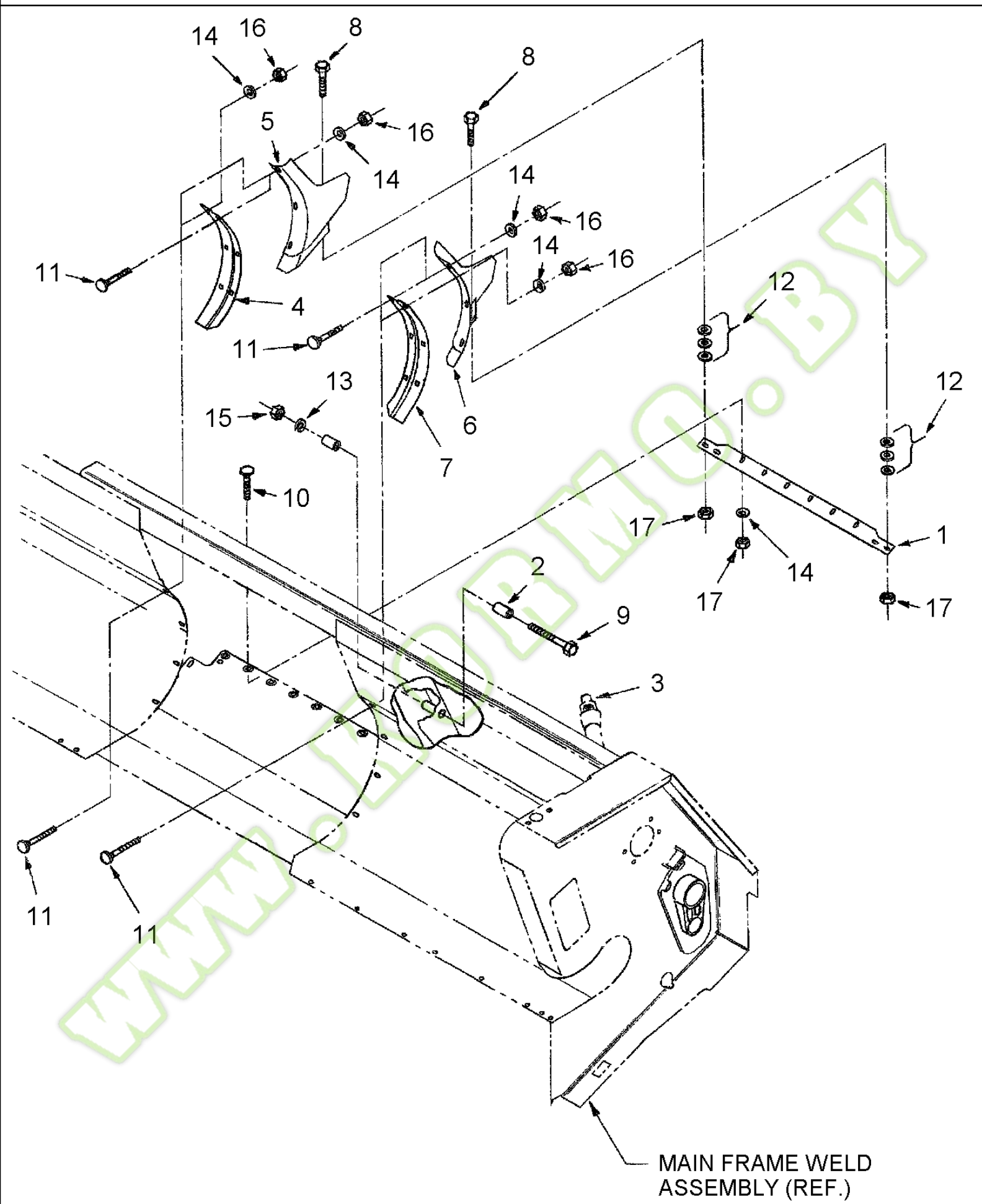
## 2.00 MAIN FRAME

Ref	Part Number	Qty	Description
1	86545813	1	FRAME, Main, 345W, Europe Only
1	86562722	1	FRAME, Main, 345W, NA Only
1	86542113	1	FRAME, Main, 355W, Europe Only
1	86562694	1	FRAME, Main, 355W, NA Only
1	86551267	1	FRAME, Main, 365W, Europe Only
1	86563192	1	FRAME, Main, 365W, NA Only
2	86556381	1	ANGLE BAR, LH, 345W
2	86560137	1	ANGLE, LH, 355W
2	86977344	1	ANGLE, LH, 365W
3	86550476	1	ANGLE BAR, RH, 345W
3	86550477	1	ANGLE, RH, 355W
3	86550524	1	ANGLE, RH, 365W
4	9809749	1	ANGLE, {PP:89809749}
5	9809654	1	ANGLE, {PP:89809654}
6	9804147	2	ANGLE, {PP:89804147} 345W
6	86560135	2	ANGLE, 355W
6	86534319	2	ANGLE, 365W
7	86539315	AR	FINGER, Windguard, Weld-on, (15) 345W, (20) 355W, (29) 365W
8	9809948	AR	SHIM, {PP:89809948} 345W
8	86560136	AR	SHIM, 355W
8	86534317	AR	SHIM, 365W
9	58821	1	WASHER, {PP:80058821}
10	80752	1	PIN, SPLIT (COTTER), {PP:80080752} 1/4" x 2 1/2", 1/4" x 2-1/2"
11	86564216	1	ARM, SUPPORTING, LH
12	86564217	1	ARM, RH
13	86528850	2	SUPPORT,
14	86528853	1	HOLDER, Spring
15	86528852	1	SPRING,
16	86543223	1	WINDGUARD, Tube, 345W, BSN 8603
16	86640065	1	WINDGUARD, Tube, 345W, ASN 8604
16	86560741	1	WINDGUARD, Tube, 355W
16	86548647	1	WINDGUARD, Tube, 365W
17	85700693	1	NUT, LOCK, 5/8"-11, GC, GC, 5/8"-11
18	280805	1	BOLT, {PP:80280805} Short NK, 5/8"-11 x 1 3/4", G5, Carriage, G5, 5/8"-11 x 1-3/4"
19	338413	1	SCREW, {PP:80338413} Hex, M6 x 60, 8.8, Cap, HH, CL 8.8, M6 x 1 x 60
20	43138	6	SCREW, {PP:80043138} Hex, M10 x 20, 8.8, Full Thd, Cap, HH, CL 8.8, M10 x 1.5 x 20, 345W & 355W
20	43138	8	SCREW, {PP:80043138} Hex, M10 x 20, 8.8, Full Thd, Cap, HH, CL 8.8, M10 x 1.5 x 20, 365W
21	86629541	4	BOLT, Hex, M12 x 40, 8.8, Full Thd, Cap, HH, CL 8.8, M12 x 1.75 x 40
22	120041	7	BOLT, {PP:80120041} Short NK, M10 x 20, Cl8.8, Full Thd, Short Neck, CL 8.8, M10 x 1.5 x 20, 345W & 355W
22	120041	9	BOLT, {PP:80120041} Short NK, M10 x 20, Cl8.8, Full Thd, Short Neck, CL 8.8, M10 x 1.5 x 20, 365W
23	338949	2	SCREW, {PP:80338949} Short NK, M10 x 25, Cl8.8, Full Thd, Short Neck, CL 8.8, M10 x 1.5 x 25
24	374892	1	BOLT, {PP:80374892} Short NK, M10 x 40, Cl8.8, Full Thd, Carriage, Short Neck, CL 8.8, M10 x 1.5 x 40
25	140045	20	WASHER, LOCK, {PP:80140045} Belleville, M10, Belleville, M10, 345W & 355W

## 2.00 MAIN FRAME

Ref	Part Number	Qty	Description
25	140045	20	WASHER, LOCK, {PP:80140045} Belleville, M10, Belleville, M10, 365W
26	140046	4	WASHER, LOCK, {PP:80140046} Belleville, M12, Belleville, M12
27	100016	16	NUT, {PP:80100016} M10, CI 8, CL 8, M10 x 1.5, 345W & 355W
27	100016	20	NUT, {PP:80100016} M10, CI 8, CL 8, M10 x 1.5, 365W
28	89706685	4	NUT, CL 8, M12 x 1.75
29	353308	1	NUT, {PP:80353308} M6 x 1, CI 8, Lock, CL 8, M6 x 1, Prevailing Torque
30	100037	1	NUT, {PP:80100037} M10 x 1.5, CI 8, Prevailing Torque, CL 8, M10 x 1.5
31	86556549	1	LINER, Floor, RH 345W
31	86560139	1	LINER, Floor, RH 355W
31	86557514	1	LINER, Floor, RH 365W
31	86556548	1	LINER, Floor, LH 345W
31	86560138	1	LINER, Floor, LH 355W
31	86557513	1	LINER, Floor, LH 365W

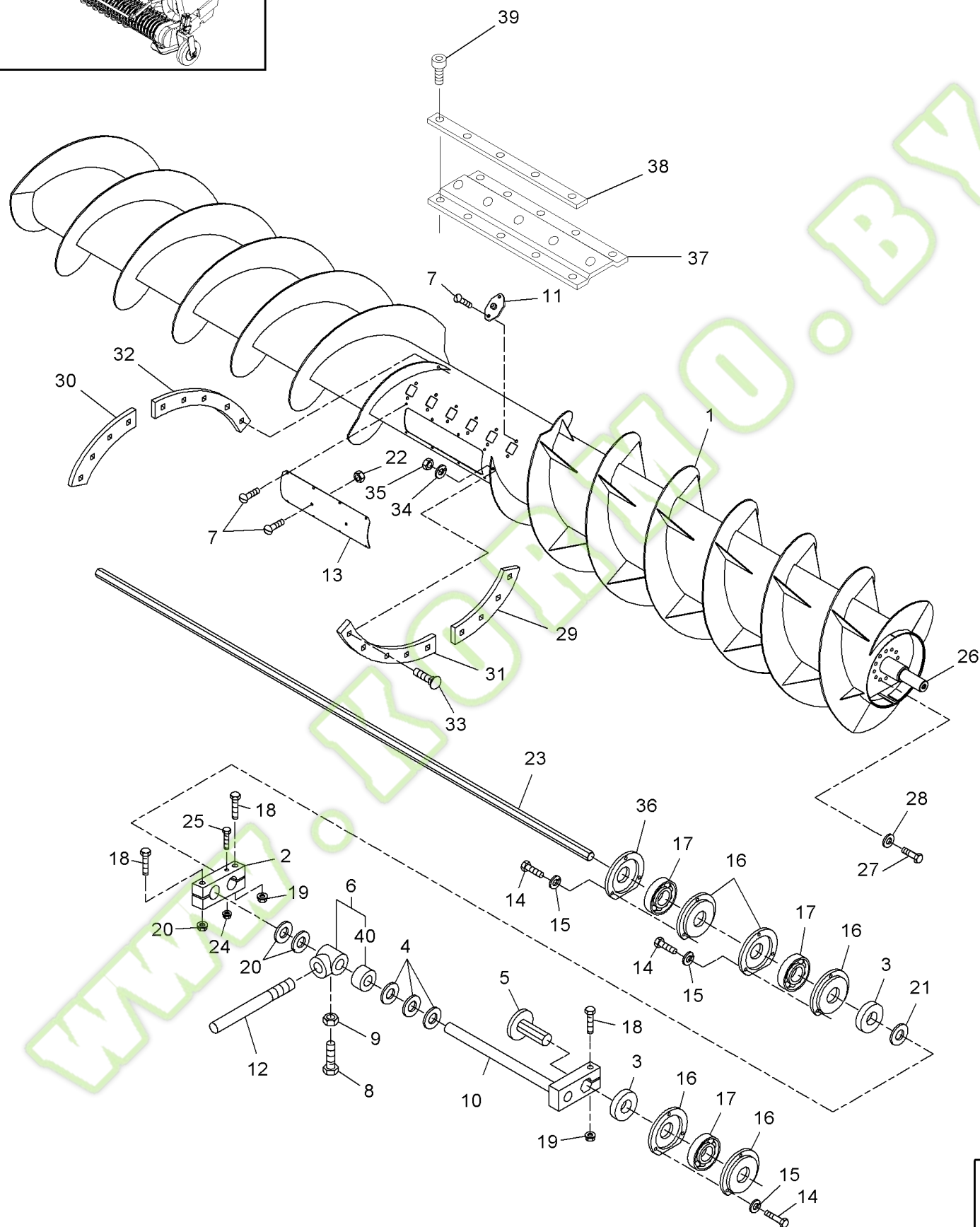
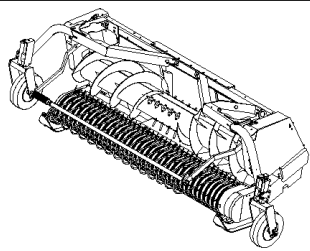
2.11 GI ADAPTING BUNDLE



## 2.11 GI ADAPTING BUNDLE

Ref	Part Number	Qty	Description
1	86547082	1	PLATE, ADJUSTING,
2	256758	4	HUB, {PP:81879178}
3	86550812	1	YOKE,
4	9802834	1	SUPPORT, {PP:89802834} Filler, R.H.
5	86624516	1	GUIDE, Crop, RH
6	86624518	1	GUIDE, Crop, L.H.
7	9802833	1	SUPPORT, {PP:89802833} Filler, L.H.
8	88206	2	SCREW, {PP:80088206} Hex, 3/8"-16 x 1", G5, Full Thd, Cap, HH, G5, 3/8"-16 x 1"
9	280316	2	BOLT, {PP:80280316} Hex, 3/4"-10 x 7", G5, Cap, HH, G5, 3/4"-10 x 7"
10	86516317	6	BOLT, 3/8"-16 x 1", G5, Plow, #3 Hd, G5, 3/8"-16 x 1"
11	120041	12	BOLT, {PP:80120041} Short NK, M10 x 20, Cl8.8, Full Thd, Short Neck, CL 8.8, M10 x 1.5 x 20
12	86511323	AR	WASHER, M10 x 20 x 2, M10
13	87340	2	WASHER, LOCK, {PP:80087340} 3/4", 3/4"
14	140045	18	WASHER, LOCK, {PP:80140045} Belleville, M10, Belleville, M10
15	280954	2	NUT, {PP:80280954} 3/4"-10, G5, G5, 3/4"-10
16	100016	12	NUT, {PP:80100016} M10, Cl 8, CL 8, M10 x 1.5
17	9628503	8	NUT, {PP:89628503} 3/8"-16, G5, G5, 3/8"-16

2.20 AUGER



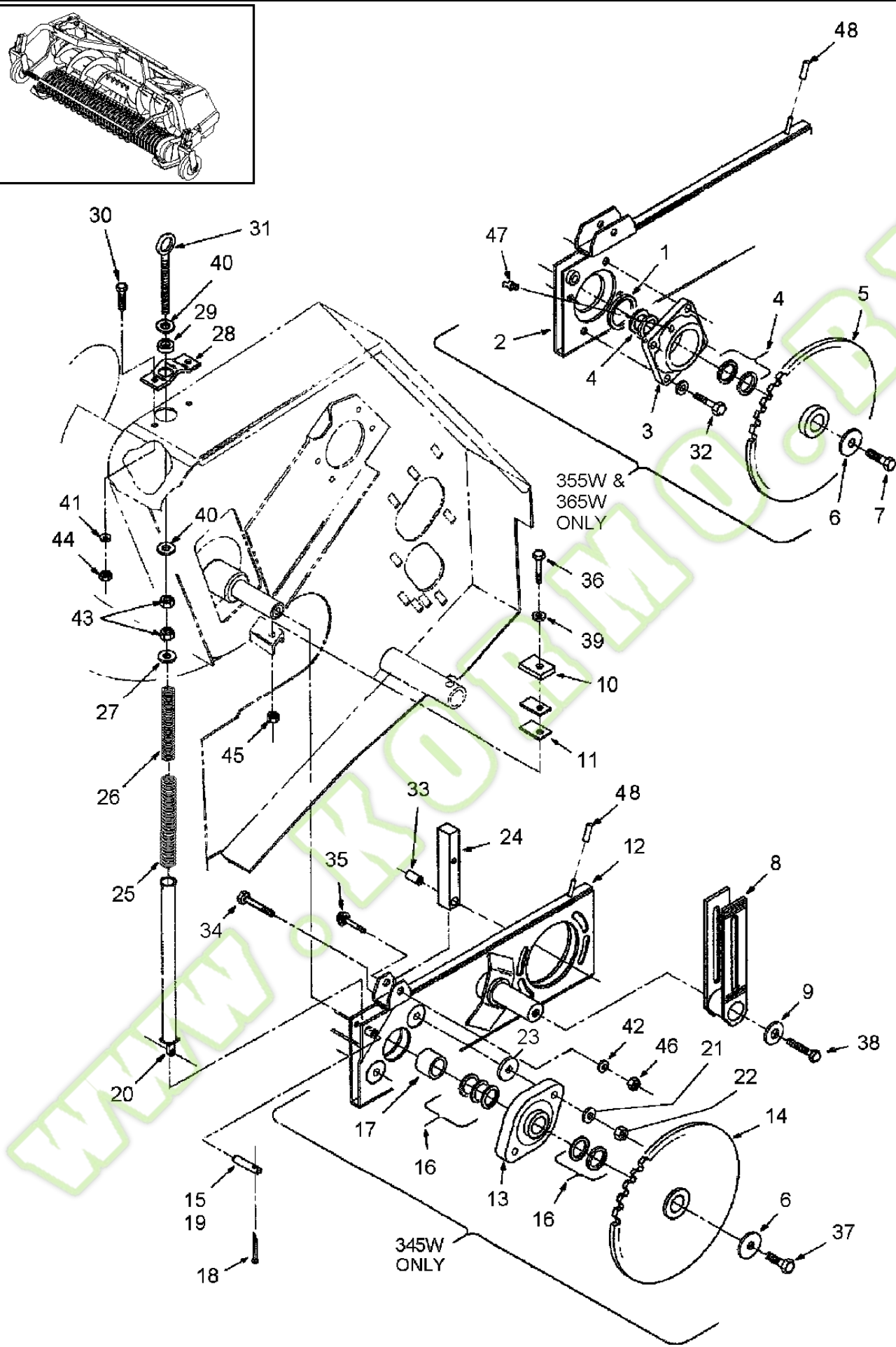
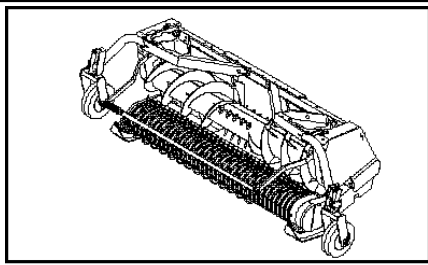


## 355W NH WINDROW PICK-UP UNIT (11/98-)

## 2.20 AUGER

Ref	Part Number	Qty	Description
1	86556338	1	AUGER, 345W
1	86977320	1	TUBE, 355W
1	86533763	1	AUGER, 365W
2	288802	1	BLOCK, {PP:80288802}
3	32364	2	SPACER, {PP:80032364}
4	26130	3	WASHER, {PP:80026130}
5	136538	1	SHAFT, {PP:80136538}
6	288793	20	HOLDER, {PP:80288793} Finger, Includes (1ea.) Ref 40
7	86512337	50	SCREW, Button HD, Self-Locking, Torx, 5/16"-18 x 1"
8	88971	20	SET SCREW, {PP:80088971} Sq Hd, 5/16"-18 x 1", Set, Sq Hd, Cup Pt, 5/16"-18 x 1"
9	9626568	20	NUT, {PP:89626568} Jam, 5/16"-18, G2, Jam, G2, 5/16"-18
10	288791	1	SHAFT, {PP:80288791}
11	288799	20	GUIDE, {PP:80288799} Auger Finger
12	86551799	20	FINGER,
13	796224	1	COVER, {PP:80796224}
14	88206	9	SCREW, {PP:80088206} Hex, 3/8"-16 x 1", G5, Full Thd, Cap, HH, G5, 3/8"-16 x 1"
15	80680	9	WASHER, LOCK, {PP:80080680} 3/8", 3/8"
16	182937	5	FLANGE, {PP:80182937}
17	135241	3	BEARING, BALL, {PP:80135241} Hex-bore
18	88546	3	SCREW, {PP:80088546} Hex, 3/8"-16 x 2 1/4", G5, Screw, Cap, HH, G5, 3/8"-16 x 2-1/4"
19	88902	3	NUT, {PP:80088902} 3/8"-16, GC, Lock, GC, 3/8"-16
20	26129	6	WASHER, {PP:80026129}
21	38741	AR	WASHER, {PP:80038741}
22	9635082	2	NUT, {PP:89635082} 5/16"-18, G5, G5, 5/16"-18
23	86631500	1	SHAFT, Hex, 345W
23	86546338	1	SHAFT, Hex, 355W
23	86538628	1	SHAFT, Hex, 365W
24	353308	1	NUT, {PP:80353308} M6 x 1, CI 8, Lock, CL 8, M6 x 1, Prevailing Torque
25	338413	1	SCREW, {PP:80338413} Hex, M6 x 60, 8.8, Cap, HH, CL 8.8, M6 x 1 x 60
26	86631750	1	SHAFT, 345W
26	86541008	1	SHAFT, 355W & 365W
27	86505259	12	SCREW, Hex, M12 x 70, 10.9, Cap, HH, CL 10.9, M12 x 1.75 x 70
28	394630	12	WASHER, {PP:80394630} Hardened, M12
29	9615297	1	AUGER FLIGHT, {PP:89615297} Reinforcement, L.H.
30	9615298	1	AUGER, {PP:89615298} Reinforcement, R.H.
31	9843720	1	AUGER FLIGHT, {PP:89843720} Auger Flighting, L.H.
32	9843719	1	AUGER FLIGHT, {PP:89843719} Reinforcement, R.H.
33	120041	18	BOLT, {PP:80120041} Short NK, M10 x 20, CI8.8, Full Thd, Short Neck, CL 8.8, M10 x 1.5 x 20
34	140045	18	WASHER, LOCK, {PP:80140045} Belleville, M10, Belleville, M10
35	100016	18	NUT, {PP:80100016} M10, CI 8, CL 8, M10 x 1.5
36	245743	1	SUPPORT, {PP:80245743} Shield and Bearing Support
37	9845532	1	COVER, {PP:89845532} Stripper, Component of Auger Finger Stripper Kit 9849446
38	9849447	1	PLATE, {PP:89849447} Filler Component of Auger Finger Stripper Kit 9849446
39	86512337	40	SCREW, Button HD, Self-Locking, Torx, 5/16"-18 x 1"
40	288797	20	BUSHING, {PP:80288797}

2.21 AUGER MOUNT, LH



## 355W NH WINDROW PICK-UP UNIT (11/98- )

## 2.21 AUGER MOUNT, LH

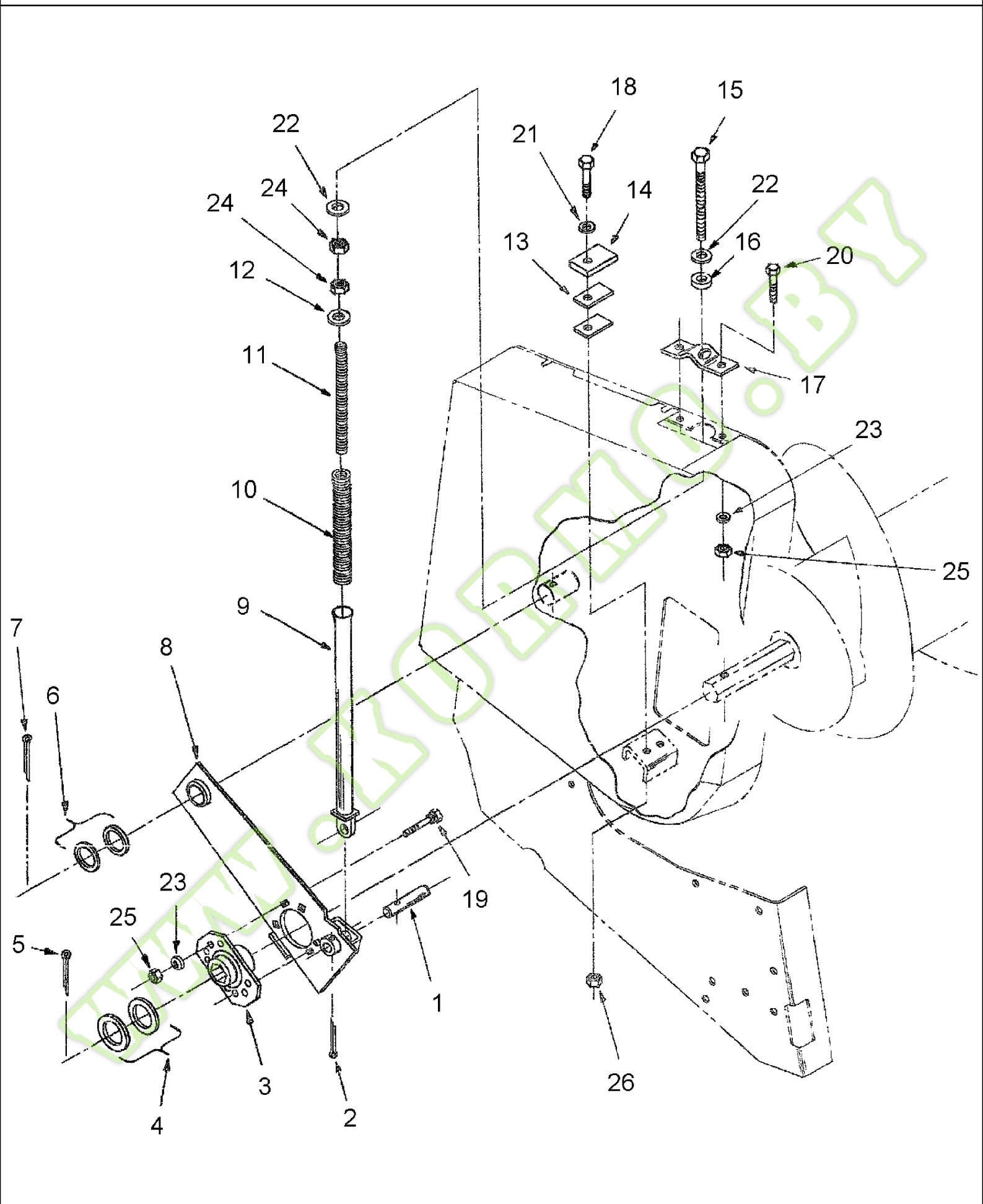
Ref	Part Number	Qty	Description
1	86541006	1	RING, 355W & 365W
2	86541009	1	ARM, SUPPORTING, L.H., 355W & 365W
3	226428	1	HOUSING, BEARING, {PP:80226428} 355W & 365W
4	58821	AR	WASHER, {PP:80058821} 355W & 365W
5	86541013	1	SPROCKET, DRIVEN, 32T, 355W & 365W
5	86977199	1	SPROCKET, DRIVEN, 28T, 355W & 365W, Start Year: 03/02/1900
5	86977202	1	SPROCKET, DRIVEN, 24T, 355W & 365W, Start Year: 03/02/1900
6	574245	1	WASHER, {PP:80574245} Hardened, Special, M16
7	86629498	1	BOLT, Special, 355W & 365W
8	86633828	1	ARM,
9	25939	1	WASHER, {PP:80025939} Special
10	268027	1	PAD, {PP:80268027}
11	165076	AR	SPACER, {PP:80165076}
12	86546006	1	ARM, SUPPORTING, L.H., 345W
13	86512492	1	BEARING ASSY, 345W
14	86546200	1	SPROCKET, DRIVEN, 345W
14	86977200	1	SPROCKET, DRIVEN, 28T, 345W, Start Year: 03/02/1900
14	86604865	1	SPROCKET, DRIVEN, 24T, 345W, Start Year: 03/02/1900
15	86541014	1	PIN, 355W & 365W
16	25494	AR	WASHER, {PP:80025494} .060" x 1.53" ID x 2" OD, 345W
17	86541949	1	HUB, 345W
18	130011	1	PIN, SPLIT (COTTER), {PP:80130011} M5 x 40, M5 x 40
19	86541014	1	PIN, 355W & 365W
20	9808435	1	TUBE, {PP:89808435}
21	65319	2	WASHER, {PP:80065319} Washer, Hardened, 33/64" ID x 1" OD x .135"
21	65319	6	WASHER, {PP:80065319} Washer, Hardened, 33/64" ID x 1" OD x .135"
22	88130	2	NUT, LOCK, {PP:80088130} 1/2"-20, GC, GC, 1/2"-20, 345W
23	39856	2	WASHER, {PP:80039856} 17/32" ID x 1-1/2" OD x 1/4" Tk., 345W
24	86575816	1	SUPPORT,
25	9803276	1	SPRING, {PP:89803276} Compression
26	9803277	1	SPRING, {PP:89803277} Compression
27	86631587	1	WASHER, 5/8"
28	9808417	1	PLATE, {PP:89808417}
29	76615	1	SPACER, {PP:80076615}
30	120113	2	BOLT, {PP:80120113} Hex, M10 x 50, 8.8, Full Thd, Cap, HH, CL 8.8, M10 x 1.5 x 50
31	9822763	1	BOLT, {PP:89822763}
32	850124	4	SCREW, {PP:80850124} Cap, HH, CL 8.8, M12 x 1.25 x 40, 355W & 365W
33	9609878	1	SPACER, {PP:89609878}
34	86551024	2	BOLT, Hex, 1/2"-20 x 2 1/4", G8, Cap, HH, G8, 1/2"-20 x 2-1/4", 345W
35	412097	1	BOLT, {PP:80412097} Short NK, M12 x 60, Cl8.8, Carriage, Short Neck, CL 8.8, M12 x 1.75 x 60
36	120068	1	SCREW, {PP:80120068} Hex, M10 x 40, 8.8, Full Thd, Cap, HH, CL 8.8, M10 x 1.5 x 40
37	120090	1	SCREW, {PP:80120090} Hex, M16 x 50, 8.8, Hex, M16 x 50, 8.8, 345W
38	80043151	1	SCREW, Cap, HH, CL 8.8, M12 x 1.75 x 20
39	87016	1	WASHER, {PP:80087016} 3/8", SAE, SAE, 3/8"
40	87365	2	WASHER, {PP:80087365} 5/8", SAE, SAE, 5/8"

## 2.21 AUGER MOUNT, LH

Ref	Part Number	Qty	Description
41	140045	2	WASHER, LOCK, {PP:80140045} Belleville, M10, Belleville, M10
42	140046	1	WASHER, LOCK, {PP:80140046} Belleville, M12, Belleville, M12
43	280374	2	NUT, {PP:80280374} 5/8"-11, G5, G5, 5/8"-11
44	100016	2	NUT, {PP:80100016} M10, CI 8, CL 8, M10 x 1.5
45	100037	1	NUT, {PP:80100037} M10 x 1.5, CI 8, Prevailing Torque, CL 8, M10 x 1.5
46	100038	1	NUT, LOCK, {PP:80100038} M12 x 1.75, CI 8, Prevailing Torque, CL 8, M12 x 1.75
47	80710	1	NIPPLE, LUBE, {PP:80080710} 1/8"-27 x .66 lg, Fitting, 1/8", 355W & 365W
48	91932	1	COUPLING, {PP:80091932} 1/8" NPT

WWW.KORMO.BY

2.22 AUGER MOUNT ASSEMBLY, RH

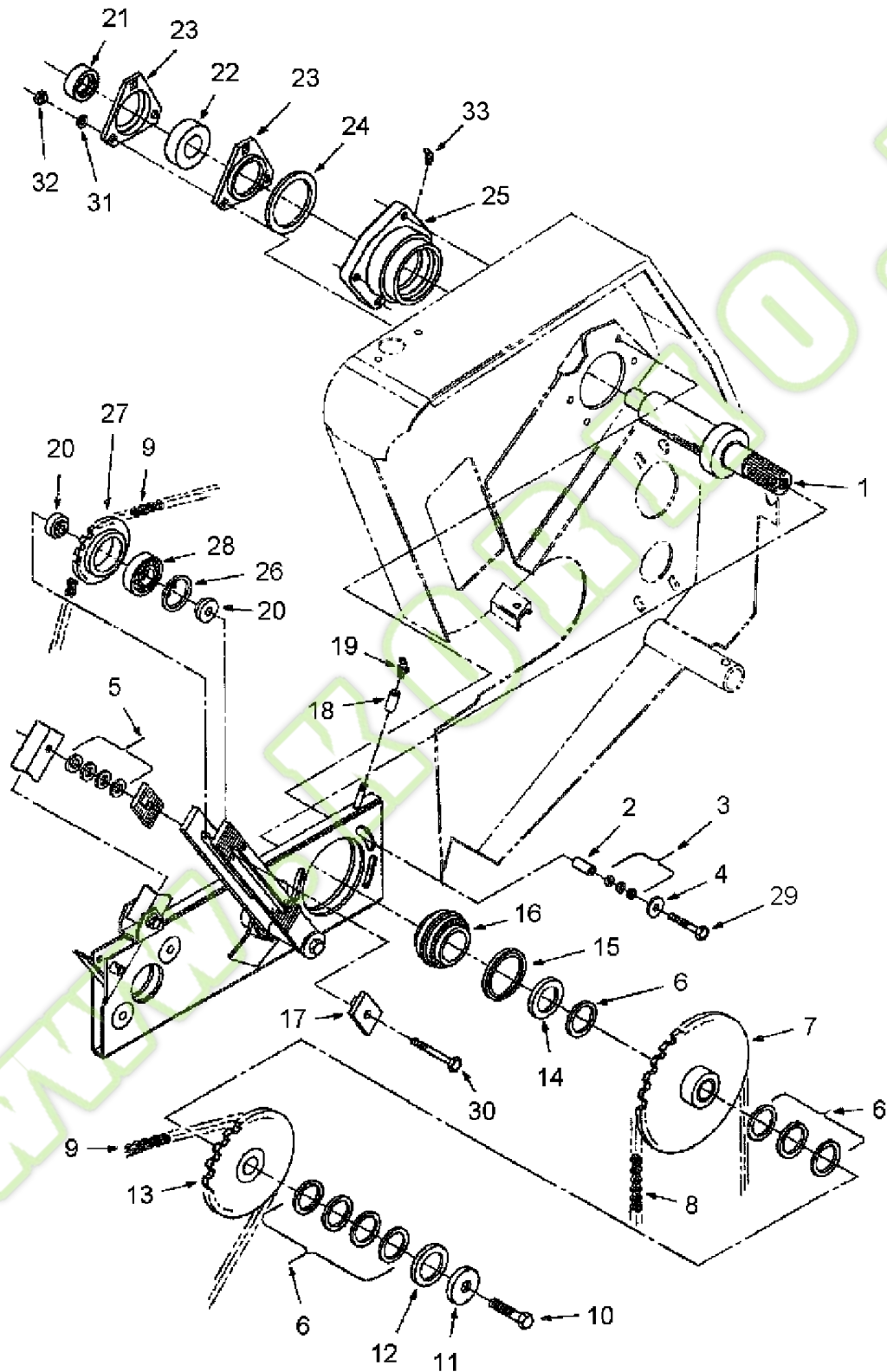
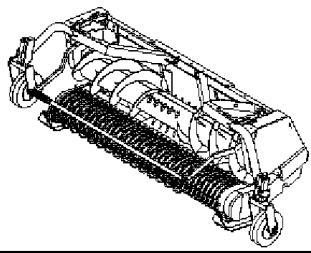


## 355W NH WINDROW PICK-UP UNIT (11/98- )

## 2.22 AUGER MOUNT ASSEMBLY, RH

Ref	Part Number	Qty	Description
1	86633841	1	PIN,
2	130011	1	PIN, SPLIT (COTTER), {PP:80130011} M5 x 40, M5 x 40
3	86553685	1	PLATE,
4	263147	AR	WASHER, {PP:80263147} 3/16"
6	50613	AR	WASHER, {PP:80050613}
7	89515820	1	PIN, SPLIT (COTTER),
8	86624581	1	ARM, RH
9	9808435	1	TUBE, {PP:89808435}
10	9803276	1	SPRING, {PP:89803276} Compression
11	9803277	1	SPRING, {PP:89803277} Compression
12	86631587	1	WASHER, 5/8"
13	165076	AR	SPACER, {PP:80165076}
14	268027	1	PAD, {PP:80268027}
15	9822763	1	BOLT, {PP:89822763}
16	76615	1	SPACER, {PP:80076615}
17	9808417	1	PLATE, {PP:89808417}
18	120068	1	SCREW, {PP:80120068} Hex, M10 x 40, 8.8, Full Thd, Cap, HH, CL 8.8, M10 x 1.5 x 40
19	86512446	2	BOLT, Short NK, M10 x 30, Cl8.8, Full Thd, Short Neck, CL 8.8, M10 x 1.5 x 30
20	120113	2	BOLT, {PP:80120113} Hex, M10 x 50, 8.8, Full Thd, Cap, HH, CL 8.8, M10 x 1.5 x 50
21	87016	AR	WASHER, {PP:80087016} 3/8", SAE, SAE, 3/8"
22	87365	2	WASHER, {PP:80087365} 5/8", SAE, SAE, 5/8"
23	140045	4	WASHER, LOCK, {PP:80140045} Belleville, M10, Belleville, M10
24	280374	2	NUT, {PP:80280374} 5/8"-11, G5, G5, 5/8"-11
25	100016	4	NUT, {PP:80100016} M10, Cl 8, CL 8, M10 x 1.5
26	100037	1	NUT, {PP:80100037} M10 x 1.5, Cl 8, Prevailing Torque, CL 8, M10 x 1.5
5	80754	1	PIN, SPLIT (COTTER), {PP:80080754} 3/16" x 1 1/2", 3/16" x 1-1/2"

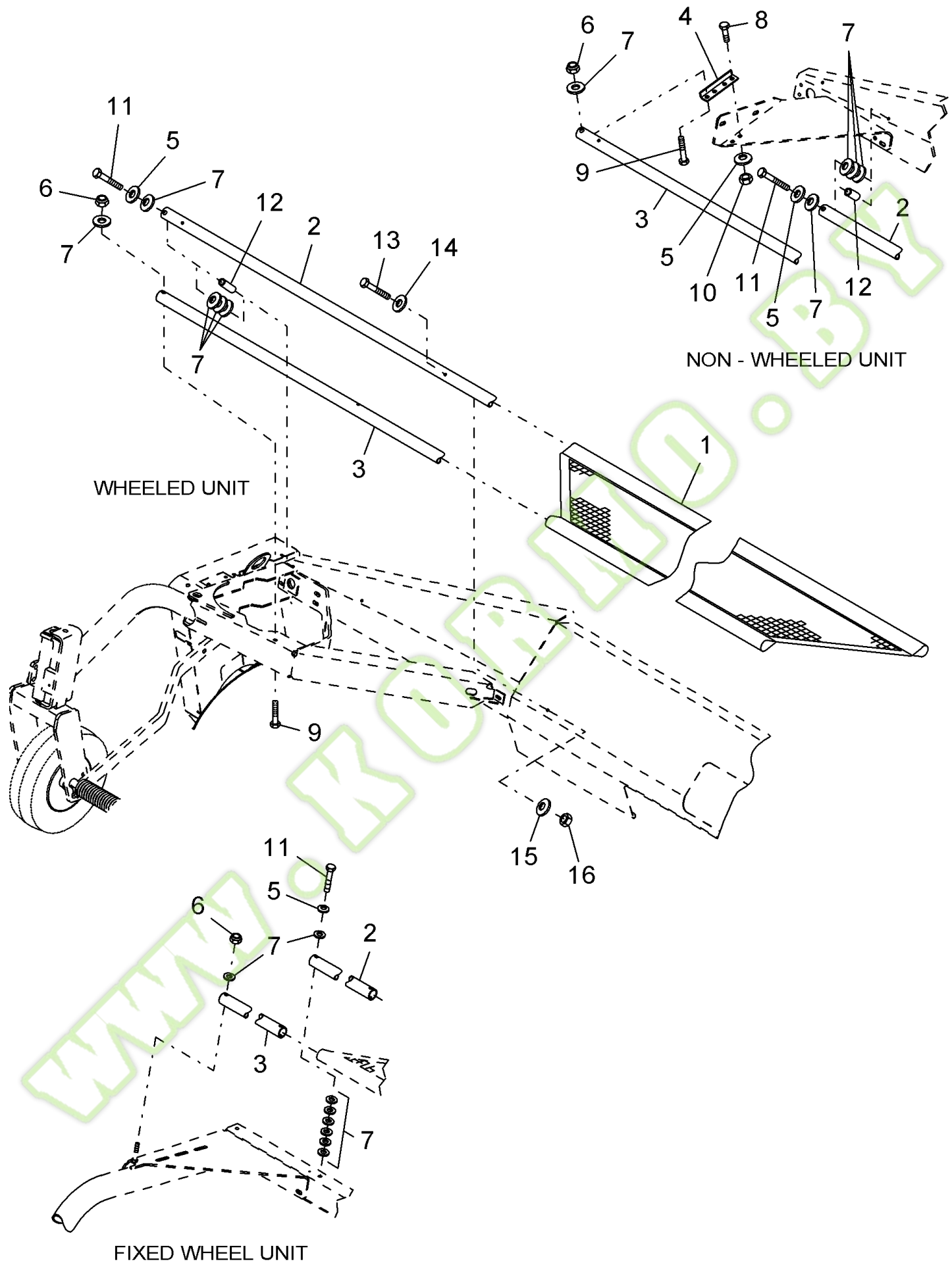
2.23 AUGER DRIVE



## 2.23 AUGER DRIVE

Ref	Part Number	Qty	Description
1	86551041	1	SHAFT,
2	380580	4	BUSHING, {PP:80380580}
3	262279	AR	WASHER, {PP:80262279}
4	623303	4	WASHER, {PP:80623303}
5	87365	AR	WASHER, {PP:80087365} 5/8", SAE, SAE, 5/8"
6	28691	AR	WASHER, {PP:80028691}
7	86643724	1	SPROCKET, DRIVEN, 25T, RC80
8	86544199	1	CHAIN, RC 100, 58 Links
9	9802985	1	CHAIN, {PP:89802985} Roller, RC 80, 56 Pitches
10	86629498	1	BOLT, Special
11	574245	1	WASHER, {PP:80574245} Hardened, Special, M16
12	34074	1	WASHER, {PP:80034074}
13	86512740	1	SPROCKET, 19T, RC80
14	86542737	1	SPACER,
15	788367	1	SEAL, {PP:80788367} Grease
16	86542898	1	BEARING ASSY, Tapered
17	9801990	2	PLATE, {PP:89801990}
18	91932	1	COUPLING, {PP:80091932} 1/8"
19	80711	1	NIPPLE, LUBE, {PP:80080711} 65e, 1/8" NPT x 7/8" lg, Lube Fitting, 1/8" NPT, 65°
20	9809160	2	SPACER, {PP:89809160}
21	63266	1	COLLAR, {PP:80063266}
22	63265	1	BEARING, BALL, {PP:80063265}
23	86548970	1	FLANGE,
24	767618	1	SEAL, RUBBER, {PP:80767618}
25	86533738	1	HOUSING, BEARING,
26	370012	1	CIRCLIP, {PP:80370012} Ring, Snap, Int, M62
27	9809168	1	SPROCKET, {PP:89809168}
28	210043	1	BEARING ASSY, {PP:80210043}
29	120070	4	BOLT, {PP:80120070} Hex, M10 x 60, 8.8, Cap, HH, CL 8.8, M10 x 1.5 x 60
30	321246	1	SCREW, {PP:80321246} Hex, M16 x 120, 8.8, Cap, HH, CL 8.8, M16 x 2 x 120
32	100016	4	NUT, {PP:80100016} M10, Cl 8, CL 8, M10 x 1.5
31	140045	4	WASHER, LOCK, {PP:80140045} Belleville, M10, Belleville, M10
33	87569	1	NIPPLE, LUBE, {PP:80087569} 45e, 1/4" NPT x .80" lg, Drive, 1/4"-28, 45°

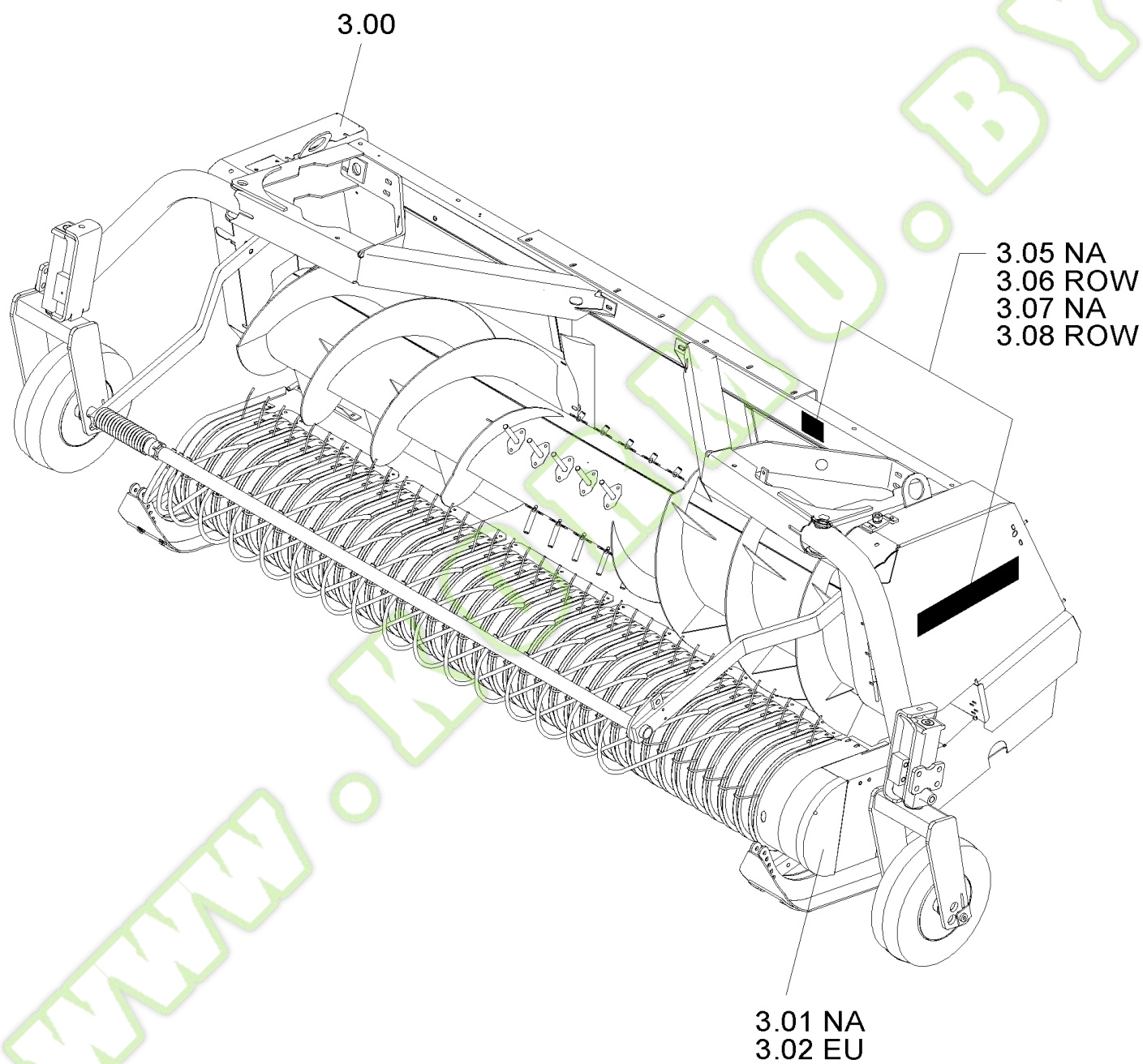
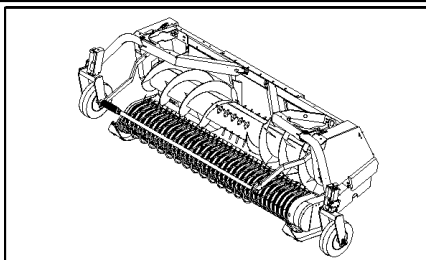




## 355W NH WINDROW PICK-UP UNIT (11/98- )

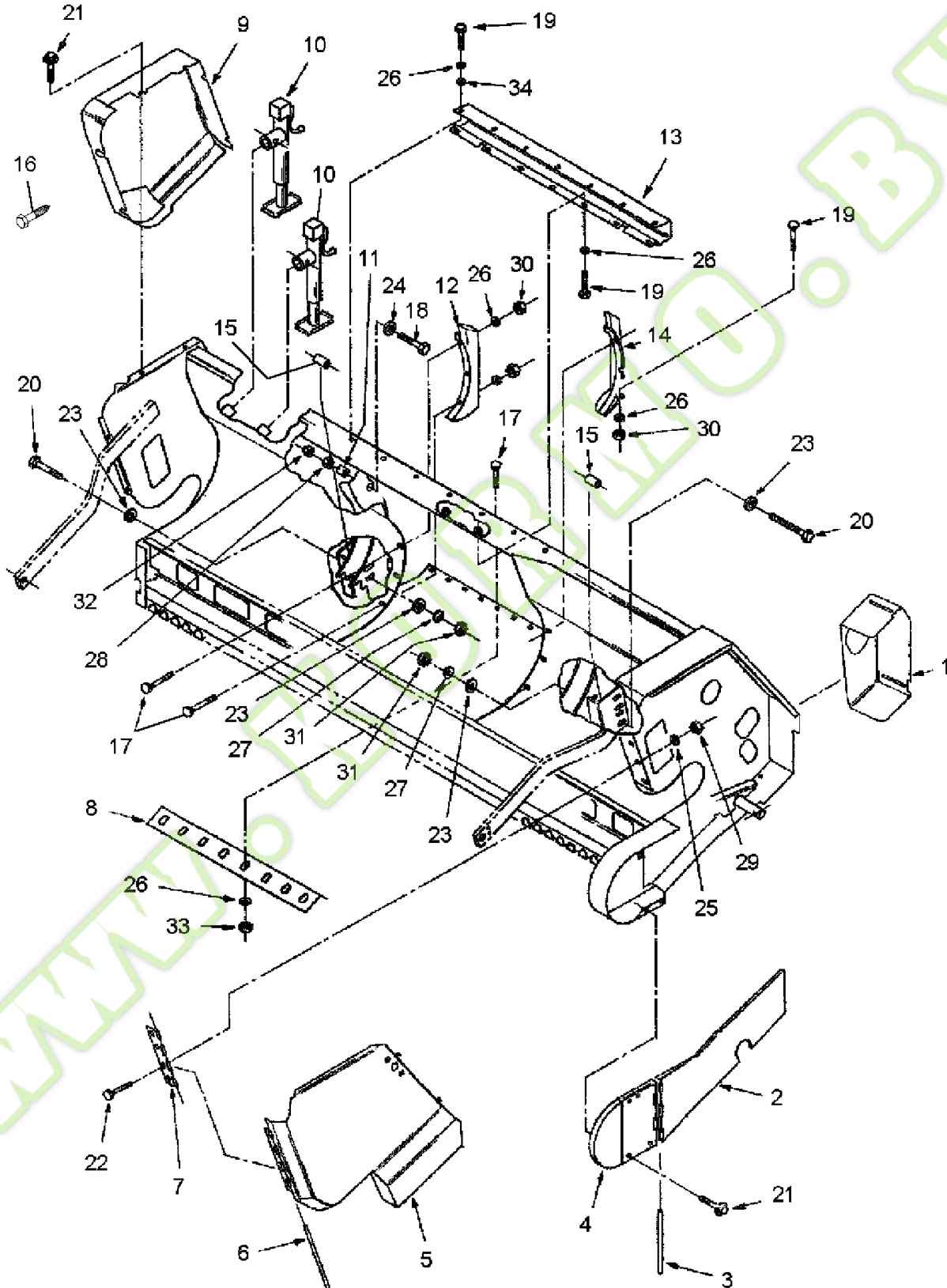
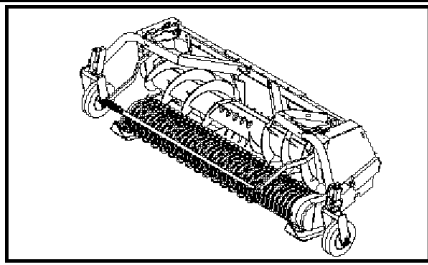
## 2.24 AUGER NET (86576073, 86576074 &amp; 86576075) BREAKDOWN

Ref	Part Number	Qty	Description
1	86570862	1	SCREEN, Net, Auger, Small Frame, 345W
1	86570861	1	SCREEN, Net, Auger, Medium Frame, 355W
1	86570860	1	SCREEN, Net, Auger, Large Frame, 365W
2	86576128	1	TUBE, 345W
2	86576133	1	TUBE, 355W
2	86576130	1	TUBE, 365W
3	86642844	1	TUBE, 345W, Use End Cap 272721 for Rust Prevention
3	86642846	1	TUBE, 355W, Use End Cap 272721 for Rust Prevention
3	86576131	1	TUBE, 365W, Use End Cap 272721 for Rust Prevention
4	86572165	2	ANGLE, 365W
5	140046	AR	WASHER, LOCK, {PP:80140046} Belleville, M12, Belleville, M12, 345W & 355W
6	100038	2	NUT, LOCK, {PP:80100038} M12 x 1.75, Cl 8, Prevailing Torque, CL 8, M12 x 1.75
7	80700	AR	WASHER, {PP:80080700} 1/2", 1/2", 365W
8	9706687	4	SCREW, {PP:89706687} Hex, M12 x 30, 8.8, Cap, HH, CL 8.8, M12 x 1.75 x 30, Versions W/O Adjustable Gage Wheel Support
8	9706717	4	SCREW, {PP:89706717} Hex, M12 x 70, 8.8, Full Thd, Hex, M12 x 70, 8.8, Full Thd, Versions W/ Adjustable Gage Wheel Support
9	9706693	2	SCREW, {PP:89706693} Hex, M12 x 60, 8.8, Cap, HH, CL 8.8, M12 x 1.75 x 60, 365W
10	89706685	4	NUT, CL 8, M12 x 1.75, 365W
11	43158	2	SCREW, {PP:80043158} Hex, M12 x 80, 8.8, Cap, HH, CL 8.8, M12 x 1.75 x 80, 345W & 355W, EndYear: 03/02/2000
11	86508581	2	SCREW, Hex, M12 x 90, 8.8, Cap, HH, CL 8.8, M12 x 1.75 x 90, 345W & 355W, Start Year: 03/02/2000
12	86622574	2	SPACER,
13	86508571	4	SCREW, Hex, M8 x 90, 8.8, Cap, HH, CL8.8, M8 x 1.25 x 90, 365W
14	80664	4	WASHER, {PP:80080664} 5/16", 5/16", 365W
15	80681	4	WASHER, LOCK, {PP:80080681} 5/16", 5/16", Model 365W
16	89706690	2	NUT, CL 8, M8 x 1.25, Model 365W



Ref	Part Number	Qty	Description
<p>WWW.KORMO.BY</p>			

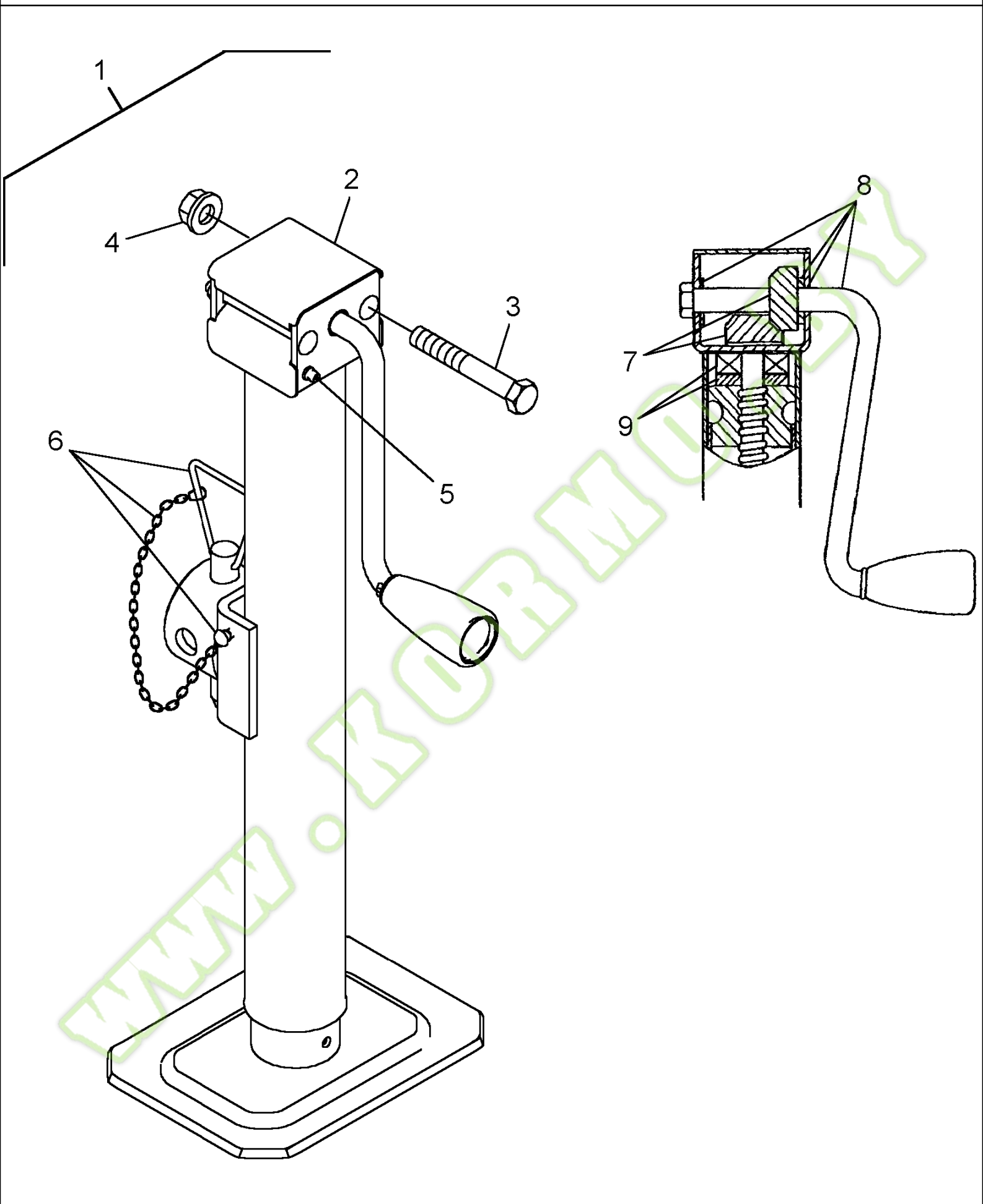
3.00 SHIELDING



## 355W NH WINDROW PICK-UP UNIT (11/98- )

## 3.00 SHIELDING

Ref	Part Number	Qty	Description
1	86568360	1	SHIELD,
2	86564675	1	SHIELD,
3	645101	1	PIN, {PP:80645101}
4	86559207	1	SHIELD,
5	86533740	1	SHIELD, L.H., 355W & 365W EU Only
5	86557369	1	SHIELD, L.H., 355W & 365W NA Only
5	86545922	1	SHIELD, L.H., 345W EU Only
5	86560568	1	SHIELD, L.H., 345W NA Only
6	9803073	1	ROD, {PP:89803073}
7	86528870	1	HINGE,
8	86534388	1	PLATE, ADJUSTING,
9	86564220	1	SHIELD, R.H., NA Only
9	86552299	1	SHIELD, R.H., EU Only
10	86588821	2	JACK, Plated, 2,000 lb., 2" Outer Tube
10	86588821	2	JACK, Painted, 3,000 lb., 2-1/4" Outer Tube
11	689319	1	BEARING, {PP:80689319} 345W & 355W
12	86557143	1	GUIDE, Crop, R.H.
13	86528860	1	SUPPORT, 345W & 355W, Bolt On Part, BSN 10940 (345W-NA), 8603 (345W-EU), 979883 (355W-EU), 979627 (365W-EU)
13	NSS		NOT SERVICED SEPARATELY, Support, Part of Main Frame. Welded ASN 10941 (345W-NA), 8604 (345W-EU), 979884 (355W-EU), 979628 (365W-EU)
14	86557141	1	GUIDE, Crop, L.H.
15	86977135	2	BOLT, BANJO, 345W & 355W
16	381014	3	SCREW, SELF TAPPING, {PP:80381014} Self-Tapping, HWH, M8 x 1.25 x 16
17	86516317	12	BOLT, 3/8"-16 x 1", G5, Plow, #3 Hd, G5, 3/8"-16 x 1"
18	280120	1	BOLT, {PP:80280120} Hex, 3/4"-10 x 6", G5, Cap, HH, G5, 3/4"-10 x 6"
19	43140	16	BOLT, {PP:80043140} Hex, M10 x 30, 8.8, Cap, HH, CL 8.8, M10 x 1.5 x 30, 345W & 355W
20	280120	2	BOLT, {PP:80280120} Hex, 3/4"-10 x 6", G5, Cap, HH, G5, 3/4"-10 x 6", 345W & 355W
21	9804258	8	SCREW, {PP:89804258} Hex Flg, M8 x 20, 8.8, Cap, Flg Hd, CL 8.8, M8 x 1.25 x 20
22	86507486	4	BOLT (CARRIAGE), Short NK, M8 x 20, Cl8.8, Full Thd, Short Neck, CL8.8, M8 x 1.25 x 20
23	87365	4	WASHER, {PP:80087365} 5/8", SAE, SAE, 5/8", 345W & 355W
24	87381	1	WASHER, {PP:80087381} 3/4", SAE, SAE, 3/4"
25	80681	4	WASHER, LOCK, {PP:80080681} 5/16", 5/16"
26	140045	14	WASHER, LOCK, {PP:80140045} Belleville, M10, Belleville, M10
27	140048	2	WASHER, LOCK, {PP:80140048} Belleville, M16, Belleville, M16, 345W & 355W
28	84972	1	NUT, {PP:80084972} Jam, 3/4"-10, G2, Jam, G2, 3/4"-10
29	89706690	4	NUT, CL 8, M8 x 1.25
30	100016	6	NUT, {PP:80100016} M10, Cl 8, CL 8, M10 x 1.5
31	100020	2	NUT, {PP:80100020} M16, Cl 8, Nut, M16, Cl 8, 345W & 355W
32	280375	1	NUT, LOCK, {PP:80280375} 3/4"-10, GC, Nut, Lock, GC, 3/4"-10
33	9628503	8	NUT, {PP:89628503} 3/8"-16, G5, G5, 3/8"-16
34	80702	7	WASHER, {PP:80080702} 3/8", 3/8"

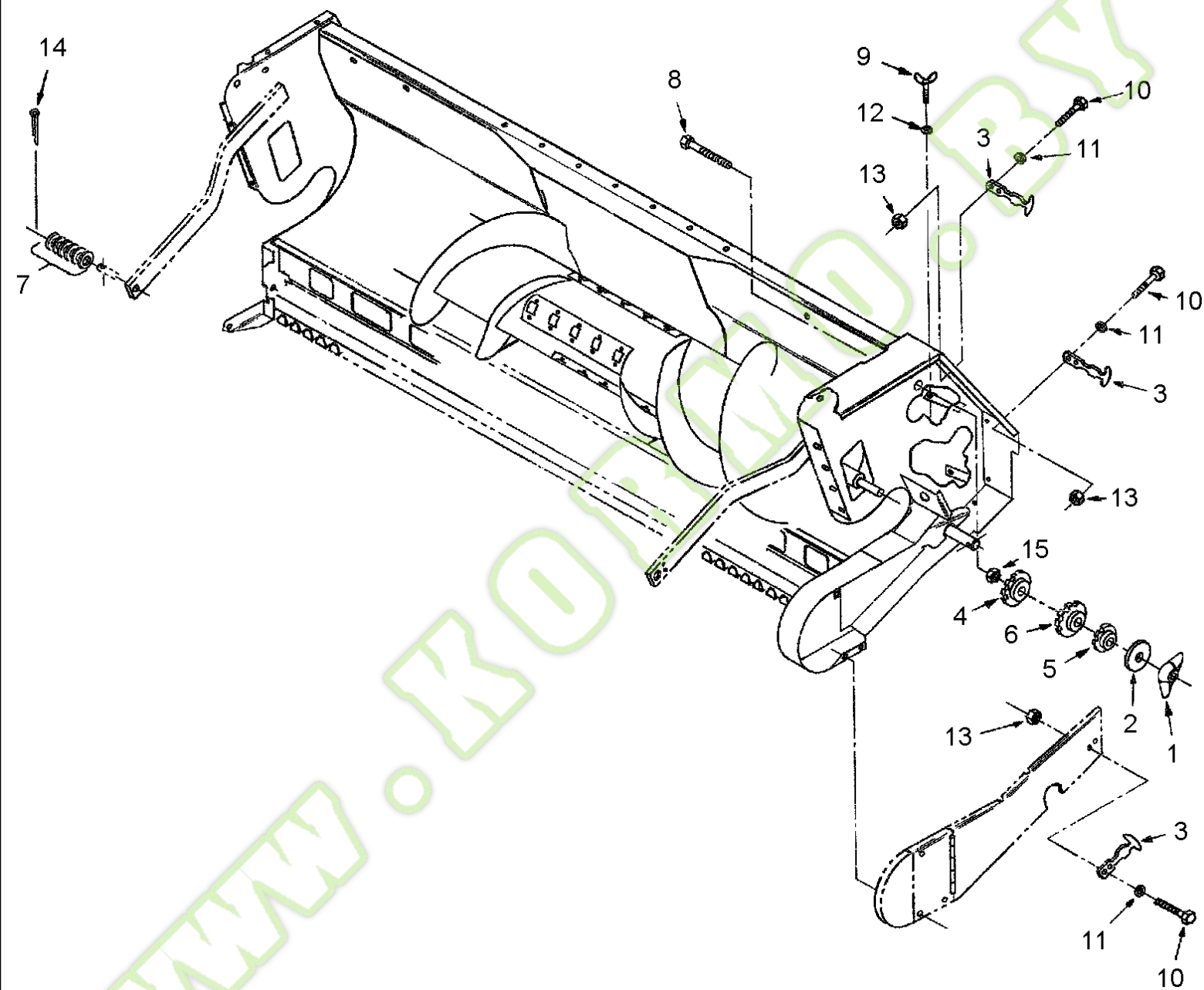


## 3.00A JACK (86588821)

Ref	Part Number	Qty	Description
1	86588821	1	JACK, Jack, Complete, Includes: Ref. 2 - 9
2	86590816	1	COVER, Gearbox
3	280961	1	BOLT, {PP:80280961} Short NK, 1/4"-20 x 3", G5, Carriage, G5, 1/4"-20 x 3"
4	7770	1	NUT, {PP:80007770} 1/4"-20, G5, G5, 1/4"-20
5	86504104	1	NIPPLE, LUBE, 1/4" x .56" lg, Drive,
6	86590810	1	KIT, Pin & Chain, Includes: Pin, Chain & Drive Screw
7	86590811	1	KIT, Gear, Includes: Gears & Pins
8	86590812	1	KIT, Crank, Includes: Crank, Bushings & Pin
9	86592468	1	KIT, Bearing, Includes: Thrust Bearing & Support Washer

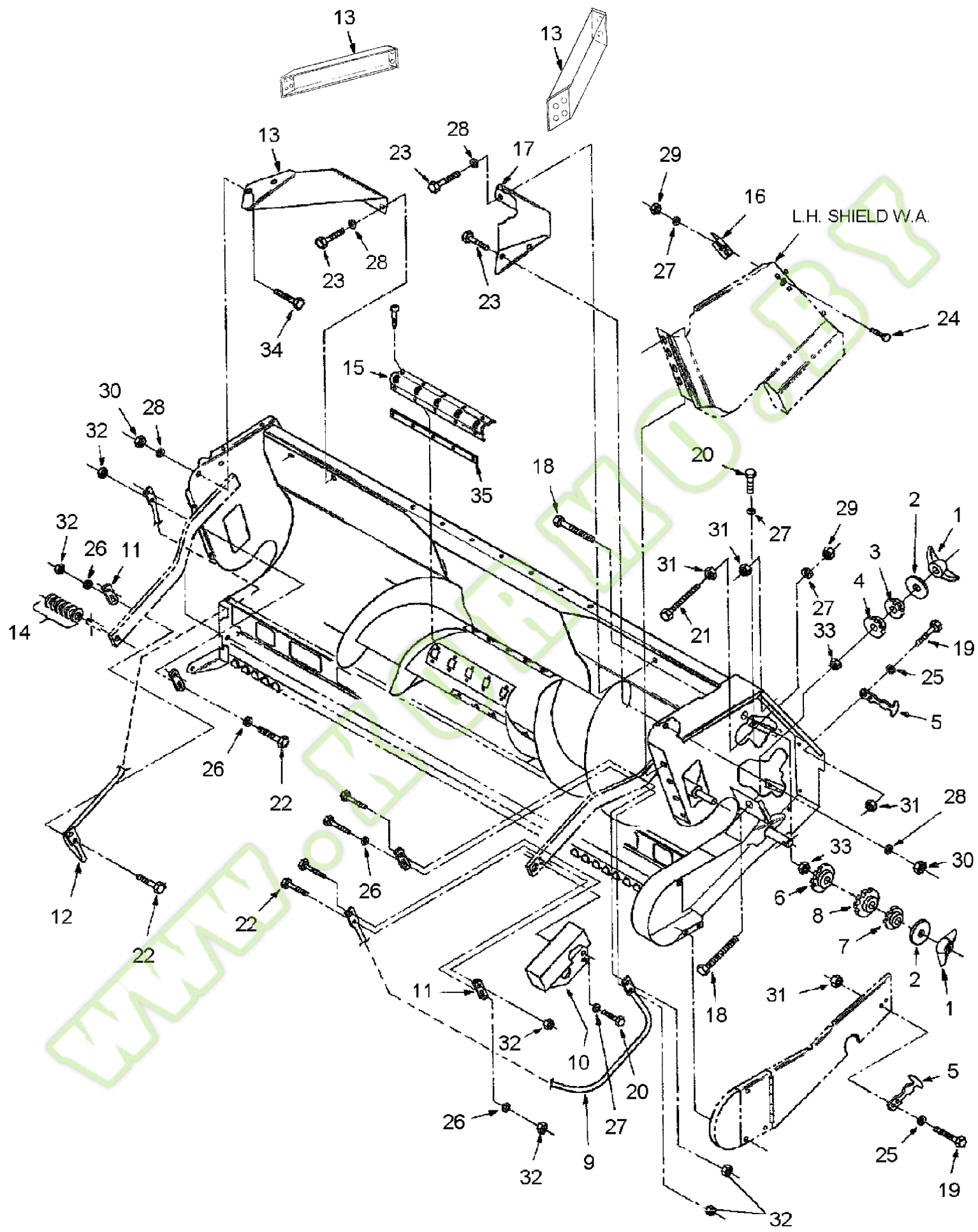
WWW.KORMO.BY





## 3.01 SHIELDING GROUP, NORTH AMERICA

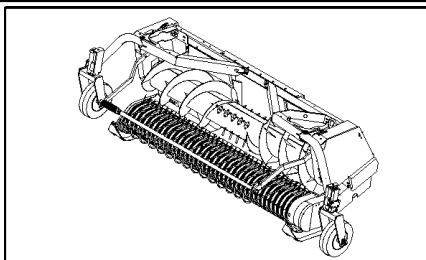
Ref	Part Number	Qty	Description
1	86636511	1	NUT, WING, 3/8"-16
2	80213404	1	SPACER,
3	86000448	3	LATCH, Latch, Rubber
4	86525142	1	SPROCKET, DRIVEN, 21T
5	86512743	1	SPROCKET, DRIVEN, 13T
6	86977172	1	SPROCKET, 17T
7	9800957	AR	WASHER, {PP:89800957} Hardened, 1-3/8"
8	280625	1	BOLT, {PP:80280625} HH, Tap, G5, 3/8"-16 x 4-1/2"
9	410851	2	SCREW, {PP:80410851} Wing, M8 x 20
10	120100	6	BOLT, {PP:80120100} Hex, M6 x 20, 8.8, Cap, HH, CL 8.8, M6 x 1 x 20
11	80701	6	WASHER, {PP:80080701} 1/4", 1/4"
12	80681	2	WASHER, LOCK, {PP:80080681} 5/16", 5/16"
13	353308	6	NUT, {PP:80353308} M6 x 1, Cl 8, Lock, CL 8, M6 x 1, Prevailing Torque
15	9628503	1	NUT, {PP:89628503} 3/8"-16, G5, G5, 3/8"-16
14	88182	1	PIN, SPLIT (COTTER), {PP:80088182} 1/4" x 2", 1/4" x 2", 345W & 355W



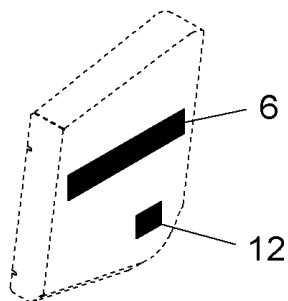
## 3.02 SHIELDING, EUROPE

Ref	Part Number	Qty	Description
1	86636511	2	NUT, WING, 3/8"-16
2	80213404	2	SPACER,
3	9802837	1	SPROCKET, DRIVEN, {PP:89802837} 13T
4	86548166	1	SPROCKET, DRIVEN, 14T
5	86000448	2	LATCH, Latch, Rubber
6	86525142	1	SPROCKET, DRIVEN, 21T
7	86548165	1	SPROCKET, DRIVEN, 10T
8	86977172	1	SPROCKET, 17T
9	86576414	1	WINDGUARD, LH
10	86548725	1	SHIELD,
11	86565392	4	PLATE, Flat
12	86576413	1	WINDGUARD, RH
13	86552962	1	SUPPORT, LH, BSN 8603 (345W), 979883 (355W), 979627 (365W)
13	86635645	2	BRACKET, Brace, Either Side, ASN 8604 (345W), 979884 (355W), 979628 (365W)
14	9800957	AR	WASHER, {PP:89800957} Hardened, 1-3/8"
15	9845532	4	COVER, {PP:89845532} Finger
16	84015292	1	LOCK,
17	86552963	1	SUPPORT, RH, BSN 8603 (345W), 979883 (355W), 979627 (365W). ASN, Use Ref. 13
18	280625	2	BOLT, {PP:80280625} HH, Tap, G5, 3/8"-16 x 4-1/2"
19	120100	4	BOLT, {PP:80120100} Hex, M6 x 20, 8.8, Cap, HH, CL 8.8, M6 x 1 x 20
20	80120104	4	SCREW, Cap, HH, CL 8.8, M8 x 1.25 x 20
21	43129	1	SCREW, {PP:80043129} Hex, M8 x 40, 8.8, Hex, CL 8.8, M8 x 40
22	43130	8	SCREW, {PP:80043130} Hex, M8 x 50, 8.8, Cap, HH, CL 8.8, M8 x 1.25 x 50
23	9706687	7	SCREW, {PP:89706687} Hex, M12 x 30, 8.8, Cap, HH, CL 8.8, M12 x 1.75 x 30
24	86507486	2	BOLT (CARRIAGE), Short NK, M8 x 20, Cl8.8, Full Thd, Short Neck, CL8.8, M8 x 1.25 x 20
25	80701	4	WASHER, {PP:80080701} 1/4", 1/4"
26	80664	4	WASHER, {PP:80080664} 5/16", Washer, 5/16"
27	80681	7	WASHER, LOCK, {PP:80080681} 5/16", 5/16"
28	140046	8	WASHER, LOCK, {PP:80140046} Belleville, M12, Belleville, M12
29	89706690	4	NUT, CL 8, M8 x 1.25
30	89706685	4	NUT, CL 8, M12 x 1.75
31	353308	4	NUT, {PP:80353308} M6 x 1, Cl 8, Lock, CL 8, M6 x 1, Prevailing Torque
32	86629542	8	NUT, M8 x 1.25", Cl 8, Lock, CL 8, M8 x 1.25
33	9628503	2	NUT, {PP:89628503} 3/8"-16, G5, G5, 3/8"-16
34	86629541	4	BOLT, Hex, M12 x 40, 8.8, Full Thd, Cap, HH, CL 8.8, M12 x 1.75 x 40
35	9849447	2	PLATE, {PP:89849447} Filler

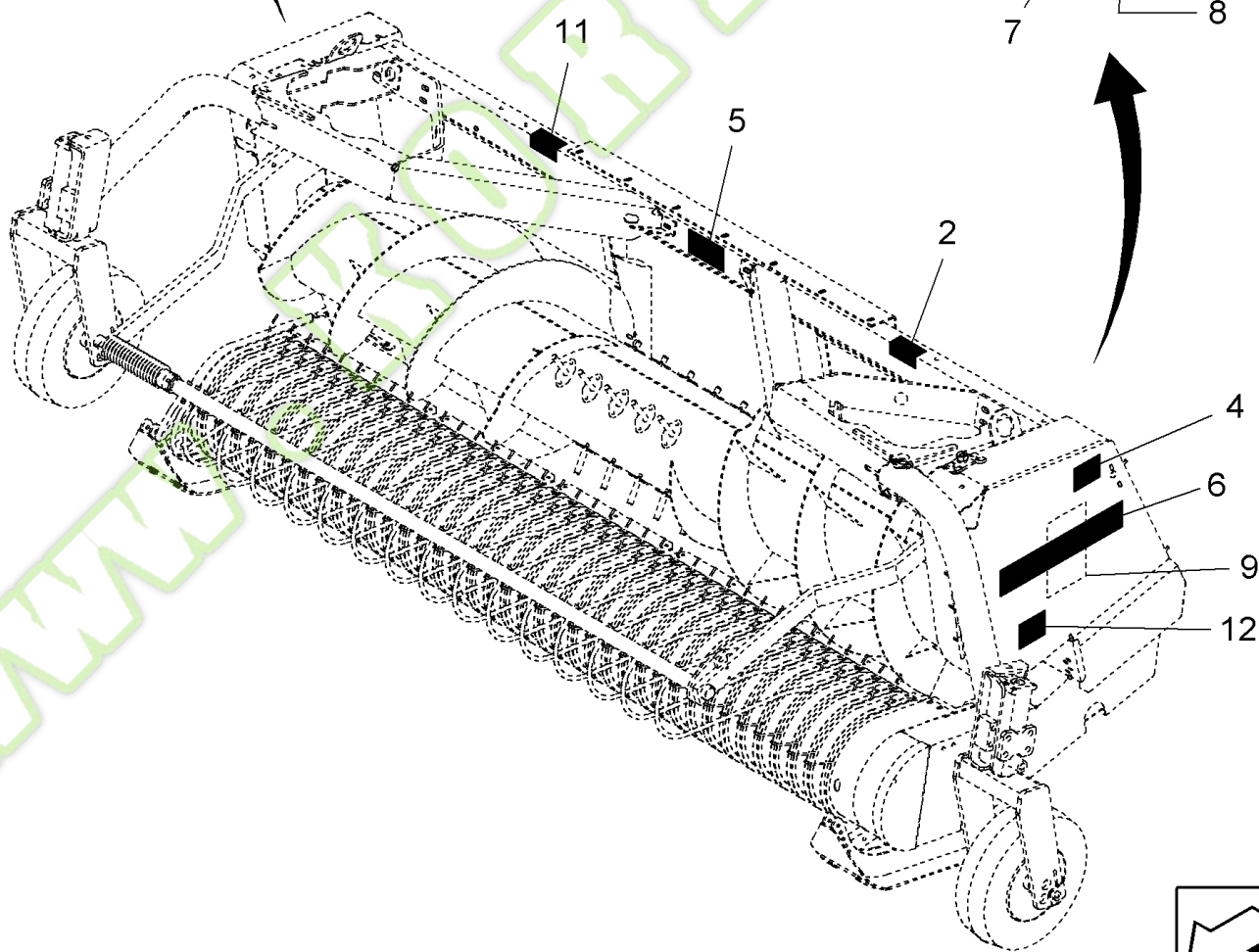
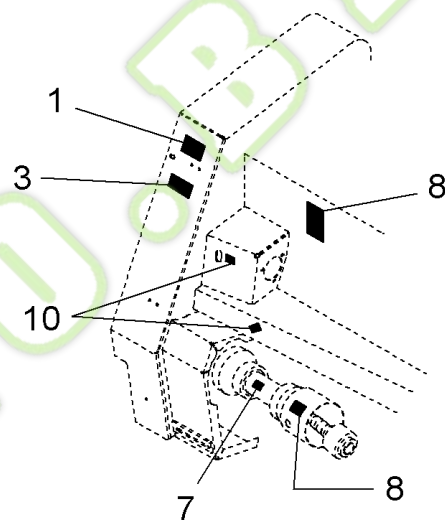
3.05 DECALS, NORTH AMERICA



VIEW ROTATED 180 °  
FOR CLARITY

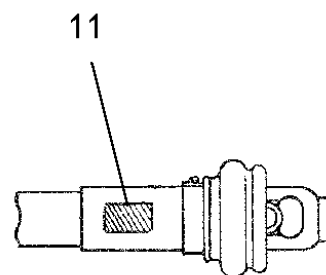
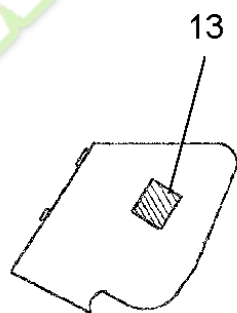
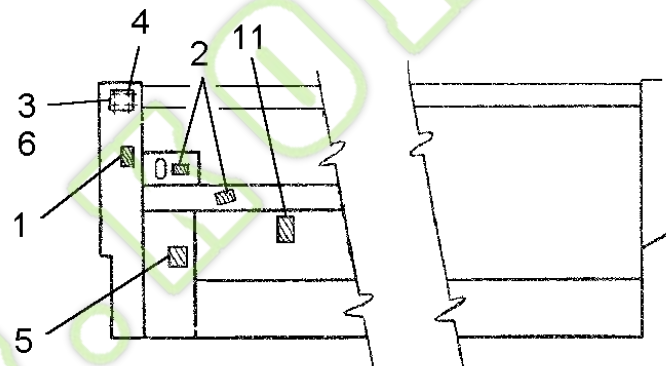
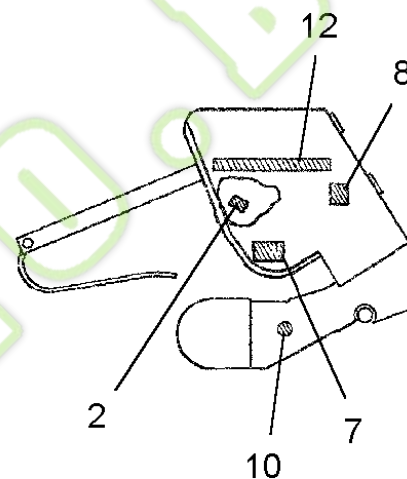
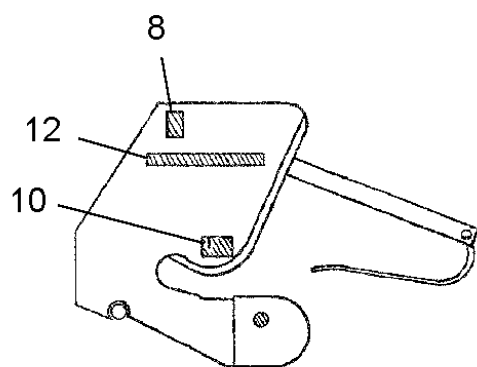
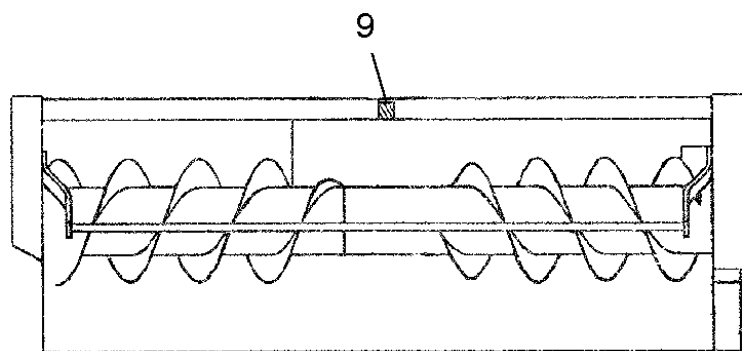


VIEW ROTATED 180 °  
FOR CLARITY



## 3.05 DECALS, NORTH AMERICA

Ref	Part Number	Qty	Description
1	718861	1	DECAL, {PP:80718861} ATTENTION, Lube 10 hr
2	86611825	2	DECAL, WARNING
2	86614084	2	DECAL, WARNING, French
3	86598785	2	SCREW, SELF TAPPING, Rd Hd, Stainless Steel, #4 x 1/4"
4	86626958	1	DECAL, Warning
4	86531890	AR	DECAL, Warning, French
5	9806448	1	DECAL, {PP:89806448} Danger
5	9827728	AR	DECAL, {PP:89827728} Danger, French
6	86521460	2	DECAL, "New Holland", 3" x 20", Black
7	849472	1	DECAL, {PP:80849472} DANGER, Shield Missing
7	849483	AR	DECAL, {PP:80849483} Danger, French
8	849471	1	DECAL, {PP:80849471} DANGER, Rotating Driveline
8	849482	1	DECAL, {PP:80849482} DANGER, Rotating Driveline - French
9	86556971	1	DECAL, Sprocket Size
10	266578	3	DECAL, {PP:80266578} Lube, 10 HR
11	9806879	2	DECAL, {PP:89806879} Hand Injury

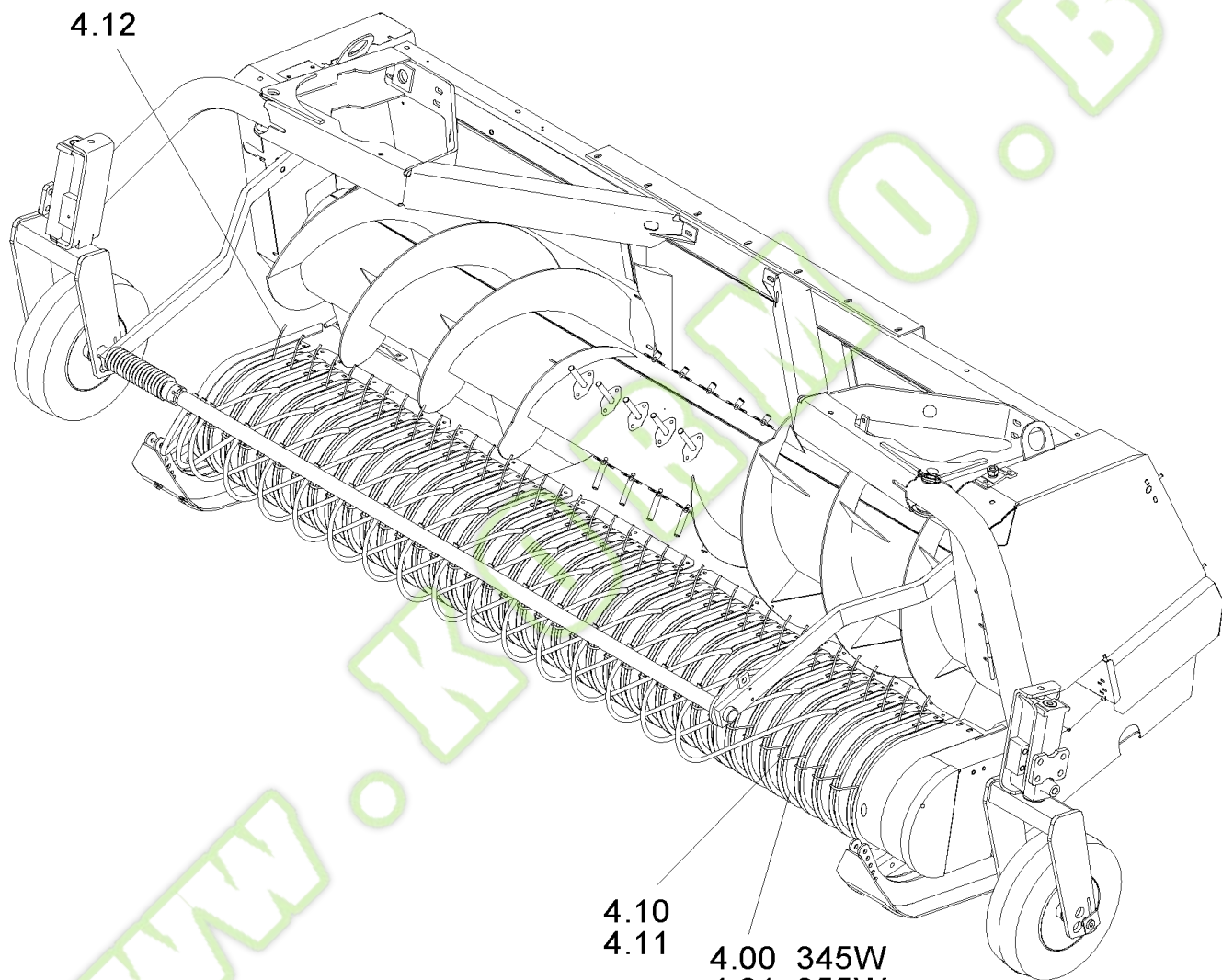
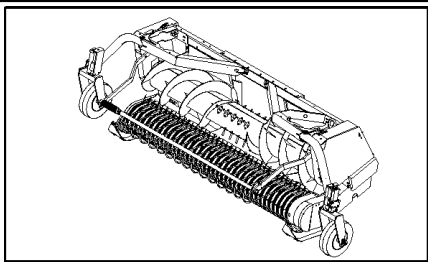


PTO SIGN PLACEMENT

## 3.06 DECALS, R.O.W.

Ref	Part Number	Qty	Description
1	84004731		DECAL,
2	266578		DECAL, {PP:80266578} Lube, 10 HR
3	NS		NOT SERVICED, Plate, Model Serial, 345W
4	425520		RIVET, {PP:80425520} Blind, 4 x 10
5	84014114		DECAL,
6	NS		NOT SERVICED, Plate, Model Serial ,355W
7	84015360		DECAL,
8	84004734		DECAL,
9	86587863		DECAL, Safety
10	435895		REFLECTOR, LAMP, {PP:80435895} Reflector, Orange
11	86520062		DECAL, PTO
12	86521460		DECAL, "New Holland", 3" x 20", Black
13	86556971		DECAL, Sprocket Size





4.12

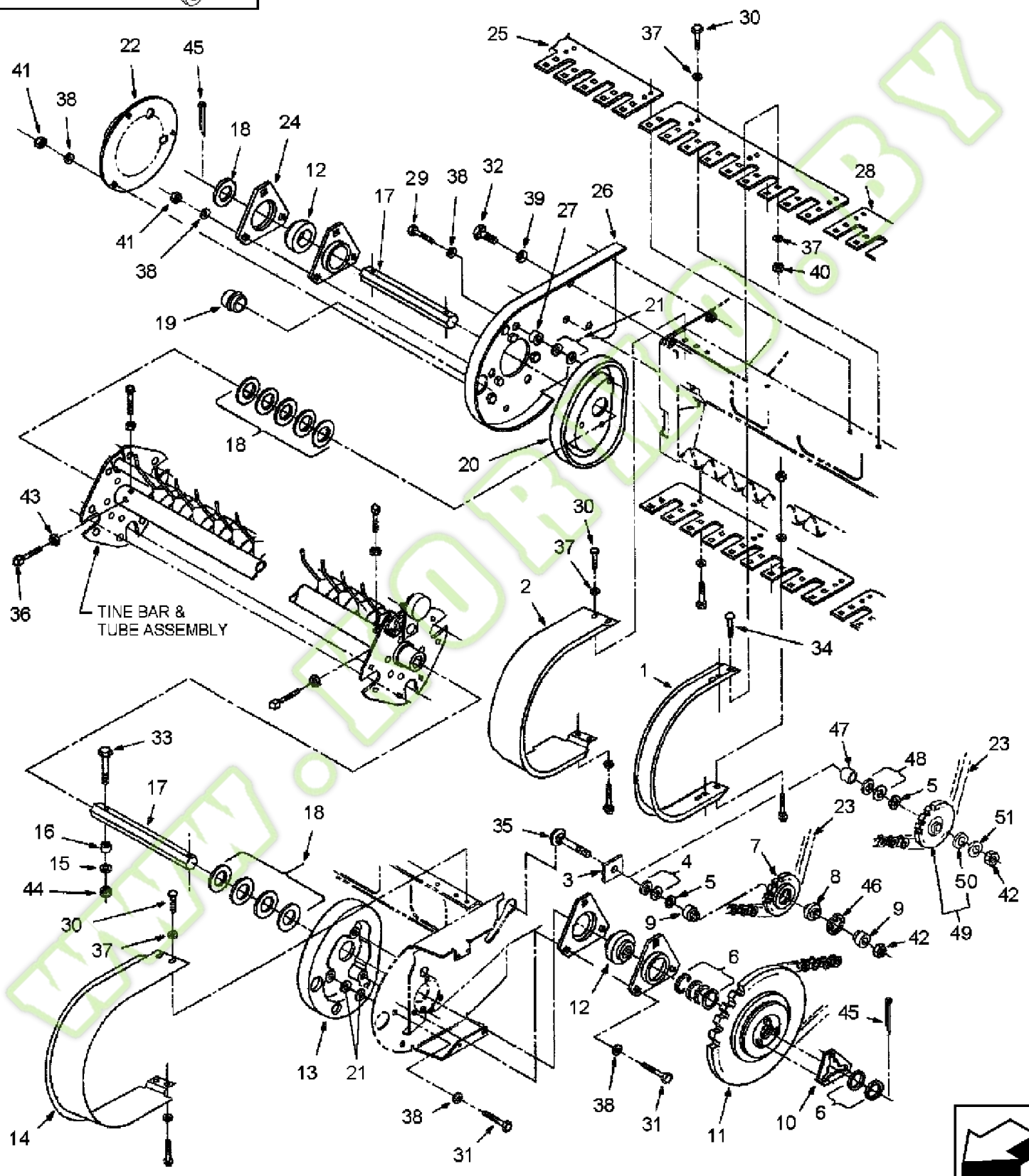
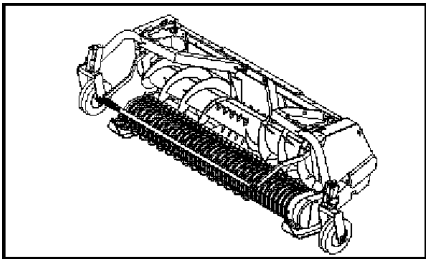
4.10  
4.11

4.00 345W  
4.01 355W  
4.02 365W



Ref	Part Number	Qty	Description
<p>WWW.KORMO.BY</p>			

4.01 PICK-UP



## 4.01 PICK-UP

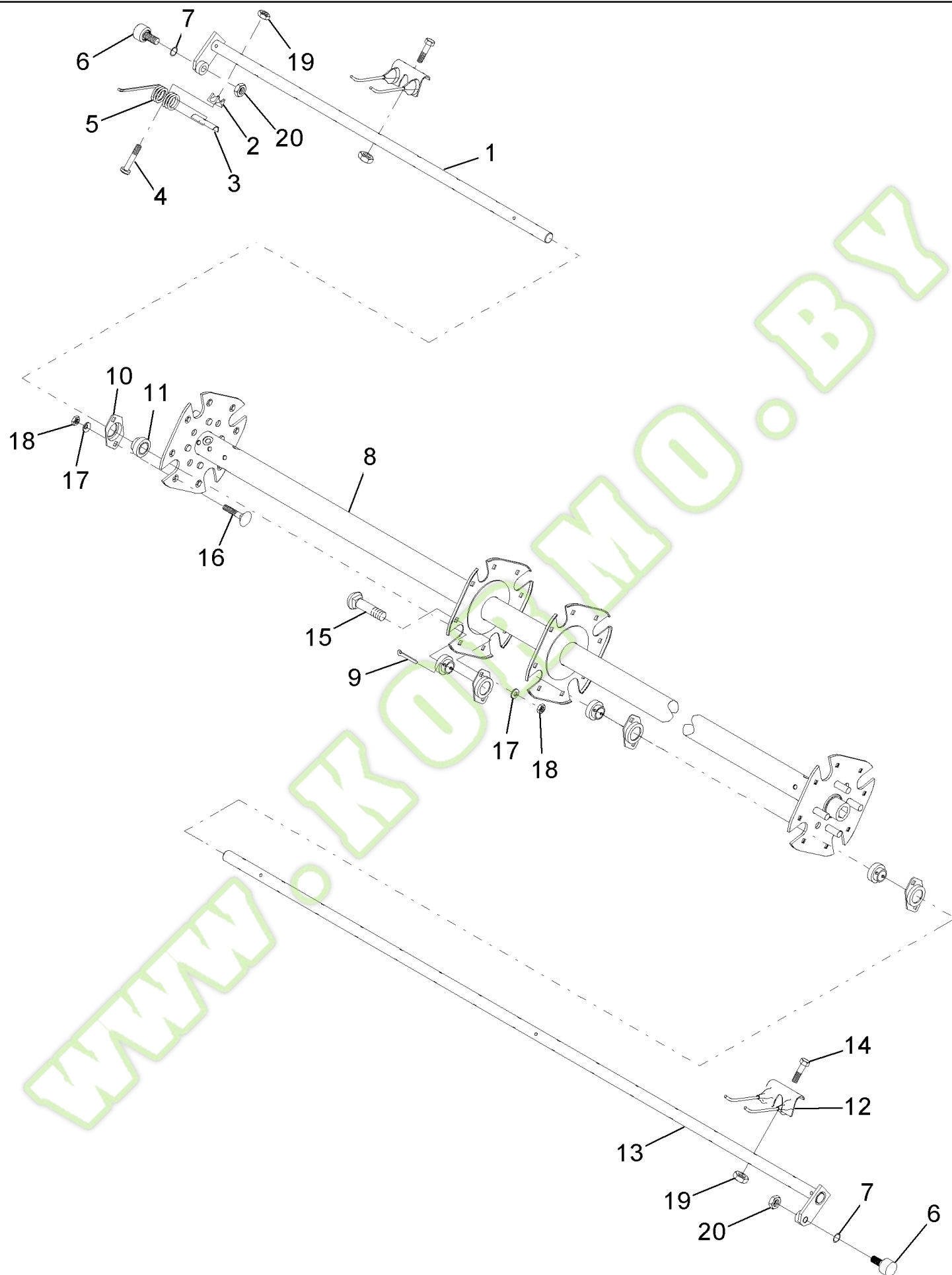
Ref	Part Number	Qty	Description
1	86548673	46	GUARD,
2	86533483	1	SHIELD, R.H.
3	9801990	1	PLATE, {PP:89801990} Flat
4	781316	2	WASHER, {PP:80781316} Washer, .656" ID x 1.12" OD x .135" Thk., EndYear: 09/09/1999
5	26382	AR	WASHER, {PP:80026382}
6	164999	AR	WASHER, {PP:80164999} 1-3/8" ID
7	9809168	1	SPROCKET, {PP:89809168} , EndYear: 09/09/1999
8	210043	1	BEARING ASSY, {PP:80210043} , EndYear: 09/09/1999
9	9809160	2	SPACER, {PP:89809160} , EndYear: 09/09/1999
10	86536900	1	BRACKET, Lock
11	86548169	1	CLUTCH, SLIP,
12	121602	2	BEARING, BALL, {PP:80121602}
13	86512412	1	CAM,
14	9615927	1	SHIELD, {PP:89615927} L.H.
15	65319	1	WASHER, {PP:80065319} Washer, Hardened, 33/64" ID x 1" OD x .135"
16	86637291	1	SPACER,
17	86512411	2	SHAFT,
18	9800957	AR	WASHER, {PP:89800957} Hardened, 1-3/8"
19	48191	1	DUST CAP, {PP:80048191}
20	86531791	1	CAM,
21	87016	AR	WASHER, {PP:80087016} 3/8", SAE, SAE, 3/8"
22	86533362	1	COVER, CAP,
23	86548163	1	CHAIN, Roller, RC 80, 81 Pitches
24	578189	6	FLANGE, {PP:80578189}
25	86546054	8	PLATE,
26	86533500	1	PLATE, R.H. End
27	167444	3	SPACER, {PP:80167444}
28	86539059	4	SUPPORT,
29	120068	3	SCREW, {PP:80120068} Hex, M10 x 40, 8.8, Full Thd, Cap, HH, CL 8.8, M10 x 1.5 x 40
30	80120104	44	SCREW, Cap, HH, CL 8.8, M8 x 1.25 x 20
31	43138	6	SCREW, {PP:80043138} Hex, M10 x 20, 8.8, Full Thd, Cap, HH, CL 8.8, M10 x 1.5 x 20
32	9706687	3	SCREW, {PP:89706687} Hex, M12 x 30, 8.8, Cap, HH, CL 8.8, M12 x 1.75 x 30
33	412085	1	SCREW, {PP:80412085} Hex, M12 x 80, 10.9, Cap, HH, CL 10.9, M12 x 1.75 x 80
34	86507486	184	BOLT (CARRIAGE), Short NK, M8 x 20, Cl8.8, Full Thd, Short Neck, CL8.8, M8 x 1.25 x 20
35	280656	1	BOLT, {PP:80280656} Short NK, 5/8"-18 x 3 1/4", G5, BSSQ, G5, 5/8"-11 x 3-1/4"
36	80395	4	SCREW, {PP:80080395} Sq Hd, 1/2"-13 x 1 1/2", Set, Sq Hd, Flat Pt, 1/2"-13 x 1-1/2", EndYear: 09/09/1999
36	86512814	4	SCREW, Set, Sq Hd, Cup Pt, 1/2"-13 x 1", Start Year: 09/09/1999
37	80681	228	WASHER, LOCK, {PP:80080681} 5/16", 5/16"
38	140045	15	WASHER, LOCK, {PP:80140045} Belleville, M10, Belleville, M10
39	140046	3	WASHER, LOCK, {PP:80140046} Belleville, M12, Belleville, M12
40	89706690	182	NUT, CL 8, M8 x 1.25
41	100016	6	NUT, {PP:80100016} M10, Cl 8, CL 8, M10 x 1.5
42	280374	1	NUT, {PP:80280374} 5/8"-11, G5, G5, 5/8"-11
43	9638005	4	NUT, {PP:89638005} Jam, 1/2"-13, G2, Jam, G2, 1/2"-13

## 4.01 PICK-UP

Ref	Part Number	Qty	Description
44	100038	1	NUT, LOCK, {PP:80100038} M12 x 1.75, Cl 8, Prevailing Torque, CL 8, M12 x 1.75
45	130011	2	PIN, SPLIT (COTTER), {PP:80130011} M5 x 40, M5 x 40
46	370012	1	CIRCLIP, {PP:80370012} Ring, Snap, Int, M62, EndYear: 09/09/1999
47	710667	1	HUB, {PP:80710667} , Start Year: 09/09/1999
48	27367	3AR	WASHER, {PP:80027367} , Start Year: 09/09/1999
49	66614	1	SPROCKET, {PP:80066614} , Start Year: 09/09/1999
50	66553	1	BEARING, BALL, {PP:80066553} , Start Year: 09/09/1999
51	86729275	1	WASHER, LOCK, 5/8", 5/8", Start Year: 09/09/1999

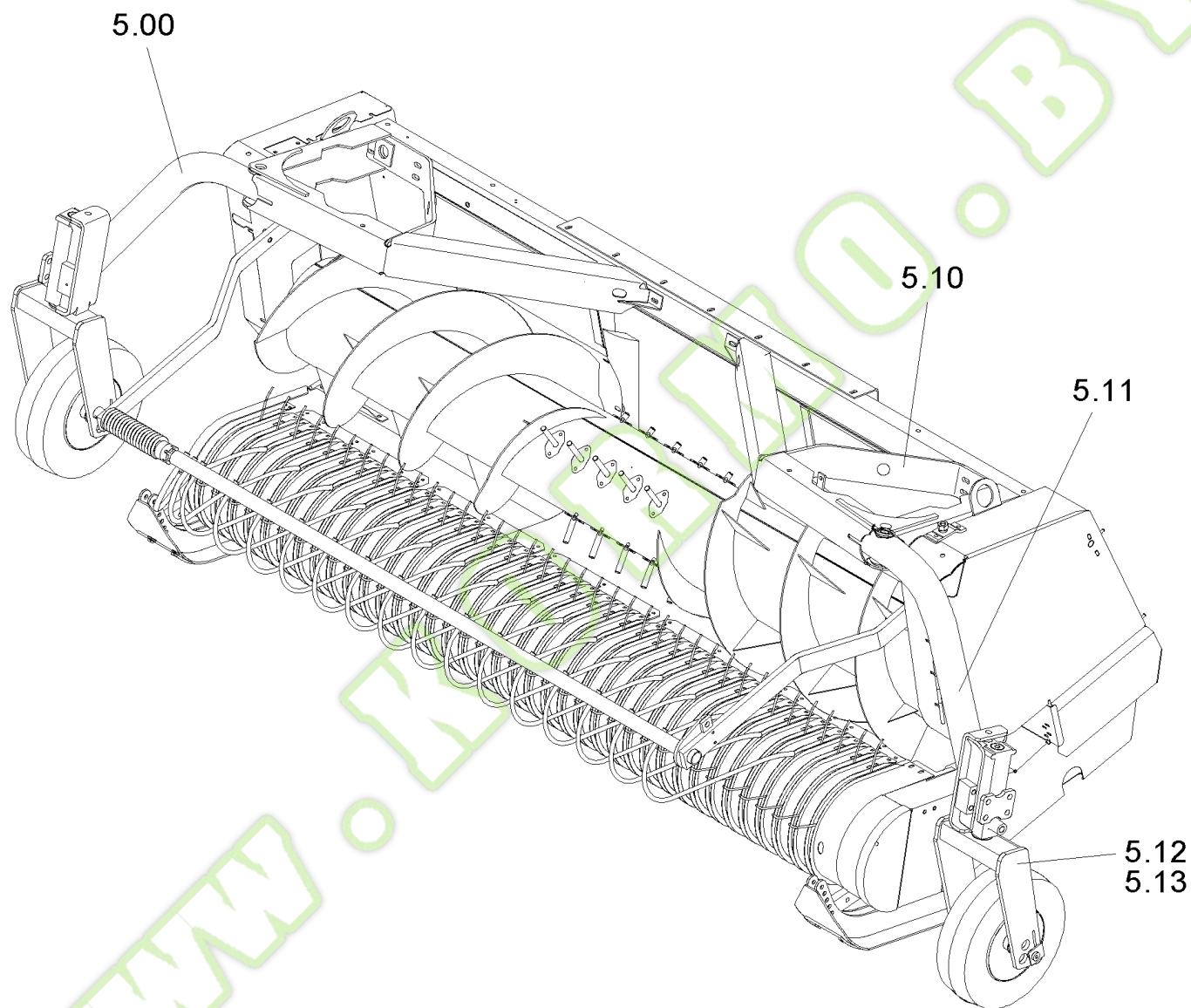
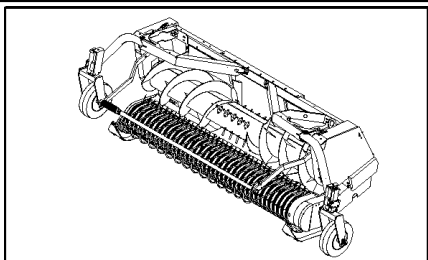
WWW.KORMO.BY

4.11 TINE BAR & TUBE



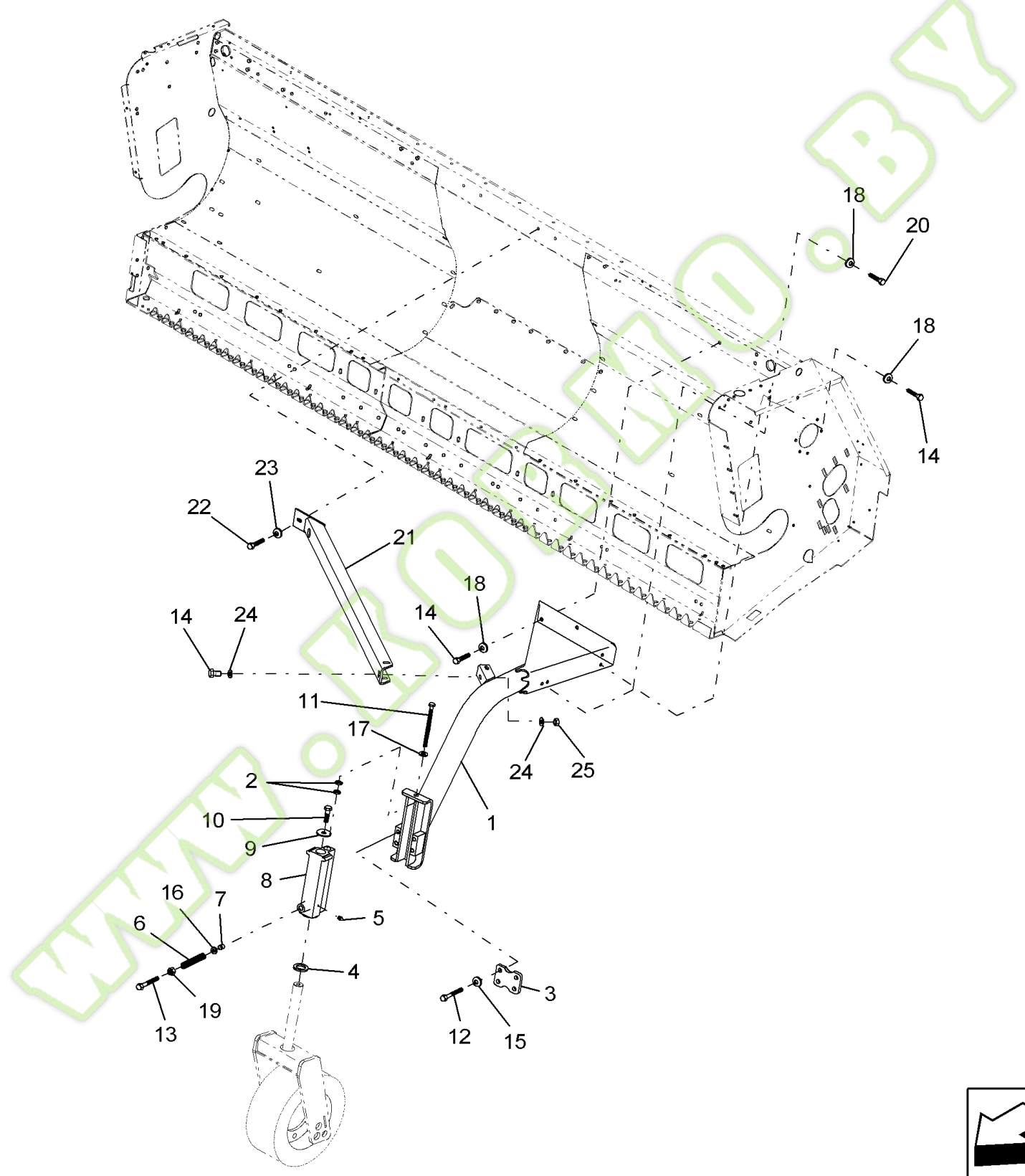
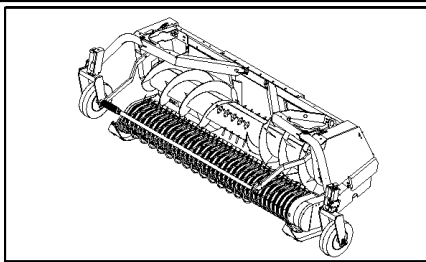
## 4.11 TINE BAR &amp; TUBE

Ref	Part Number	Qty	Description
1	86560513	4	SHAFT, R.H.
2	136137	4	SPACER, {PP:80136137} Tooth
3	9820356	4	BRACKET, {PP:89820356}
4	130891	4	BOLT, {PP:80130891}
5	86575586	4	FINGER, Pick-up
6	84056924	8	ROLLER, Follower, Cam
7	26382	4	WASHER, {PP:80026382}
8	86560509	1	TUBE, Reel
9	136521	20	PIN, SPLIT (COTTER), {PP:80136521} Hardened, 1/4" x 1-3/4"
10	54695	20	CARRIER, BEARING, {PP:80054695}
11	54770	20	BEARING, BALL, {PP:80054770}
12	9847572	92	TINE, {PP:89847572} Tine, Rubber-mounted
13	86560511	4	SHAFT, L.H.
14	88275	92	BOLT, {PP:80088275} Hex, 5/16"-18 x 1 1/2", G5, Cap, HH, G5, 5/16"-18 x 1-1/2"
15	86508748	24	BOLT, Short NK, 3/8"-16 x 3/4", G5, Full Thd, Bolt, Carriage, Short Neck, G5, 3/8"-16 x 3/4"
16	86516317	16	BOLT, 3/8"-16 x 1", G5, Plow, #3 Hd, G5, 3/8"-16 x 1"
17	80680	40	WASHER, LOCK, {PP:80080680} 3/8", 3/8"
18	88902	40	NUT, {PP:80088902} 3/8"-16, GC, Lock, GC, 3/8"-16
19	280736	96	NUT, LOCK, {PP:80280736} 5/16"-18, GC, G5, 5/16"-18
20	9602227	4	NUT, LOCK, {PP:89602227} 5/8"-11, GC, G8, 5/8"-18





Ref	Part Number	Qty	Description
<p>WWW.KORMO.BY</p>			

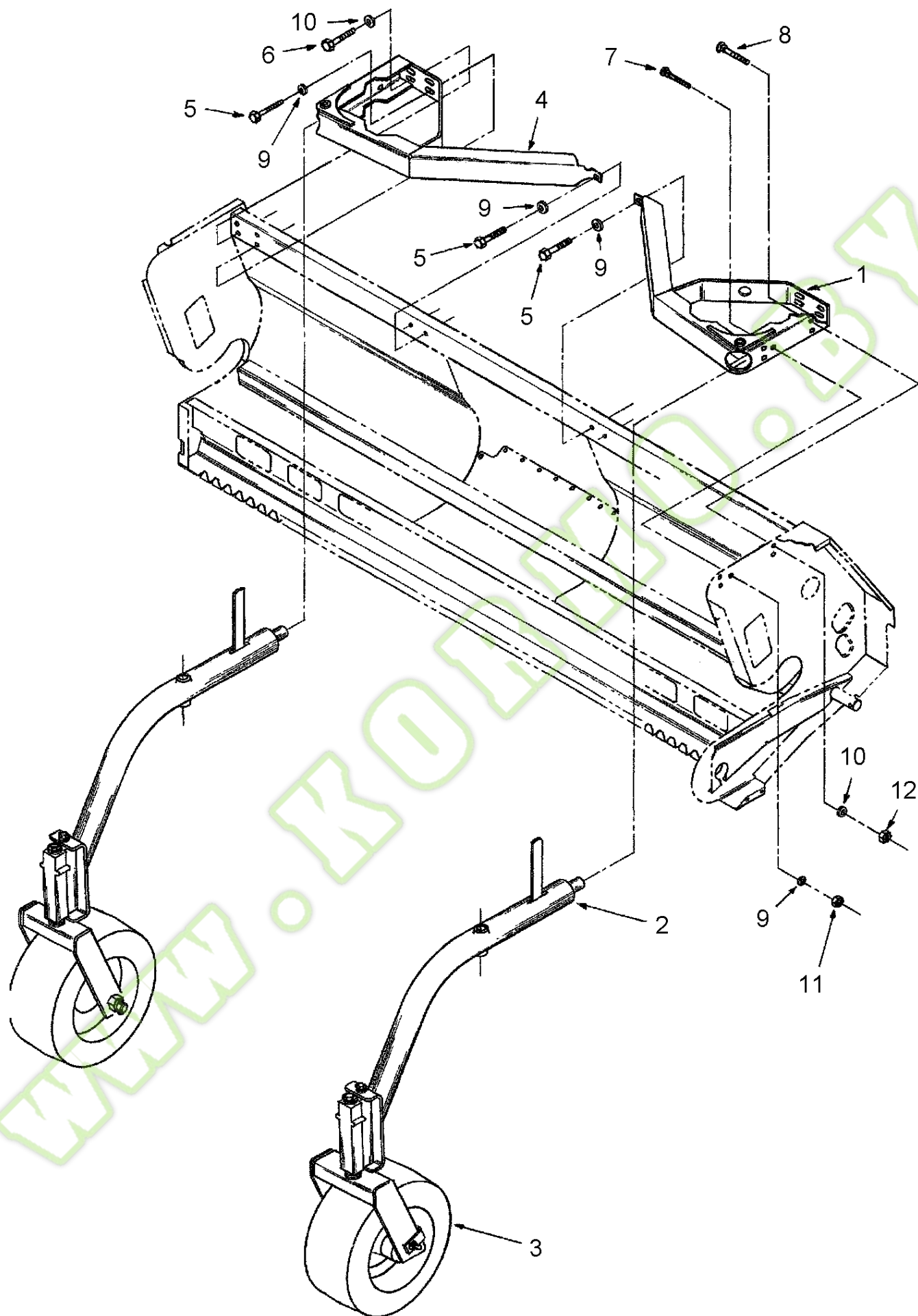


## 355W NH WINDROW PICK-UP UNIT (11/98-)

## 5.00 GAUGE WHEEL KIT, FIXED, EUROPE ONLY

Ref	Part Number	Qty	Description
1	86635632	1	ARM, SUPPORTING, LH
1	86635635	1	ARM, SUPPORTING, RH
2	280374	4	NUT, {PP:80280374} 5/8"-11, G5, G5, 5/8"-11
3	86556101	2	PLATE, RETAINING,
4	233295	2	WASHER, {PP:80233295}
5	87414	2	NIPPLE, LUBE, {PP:80087414} 1/4"-28 x .56" lg, Drive, Nipple, Lube, Straight, 1/4"-28
6	29524	2	SPRING, {PP:80029524}
7	86575461	2	PLUG,
8	86539273	2	SUPPORT, Wheel
9	620766	2	WASHER, {PP:80620766}
10	86629498	2	BOLT, Special
11	9827768	2	SCREW, {PP:89827768} Cap, HH, G8, 5/8"-11 x 7"
12	374889	8	SCREW, {PP:80374889} Hex, M16 x 100, 8.8, Cap, HH, CL 8.8, M16 x 2 x 100
13	9847023	2	SCREW, {PP:89847023} Hex, M20 x 50, 8.8, Cap, HH, CL 8.8, M20 x 2.5 x 50
14	9706687	20	SCREW, {PP:89706687} Hex, M12 x 30, 8.8, Cap, HH, CL 8.8, M12 x 1.75 x 30
15	140048	8	WASHER, LOCK, {PP:80140048} Belleville, M16, Belleville, M16
16	140015	2	WASHER, {PP:80140015} M6
17	80299	2	WASHER, {PP:80080299} 5/8", 5/8"
18	140046	12	WASHER, LOCK, {PP:80140046} Belleville, M12, Belleville, M12
19	9706694	2	NUT, {PP:89706694} M20, Cl 8, CL 8, M20 x 2.5
20	300388	4	SCREW, {PP:80300388} Hex, M12 x 25, 8.8, Cap, HH, CL 8.8, M12 x 1.75 x 25
21	86635661	2	CHANNEL, Support, Newer Units Only
22	43140	4	BOLT, {PP:80043140} Hex, M10 x 30, 8.8, Cap, HH, CL 8.8, M10 x 1.5 x 30
23	86592700	4	WASHER, M10 x 28 x 4, HT, Heat Treated, M10
24	394630	12	WASHER, {PP:80394630} Heat Treated, M12
25	89706685	6	NUT, CL 8, M12 x 1.75

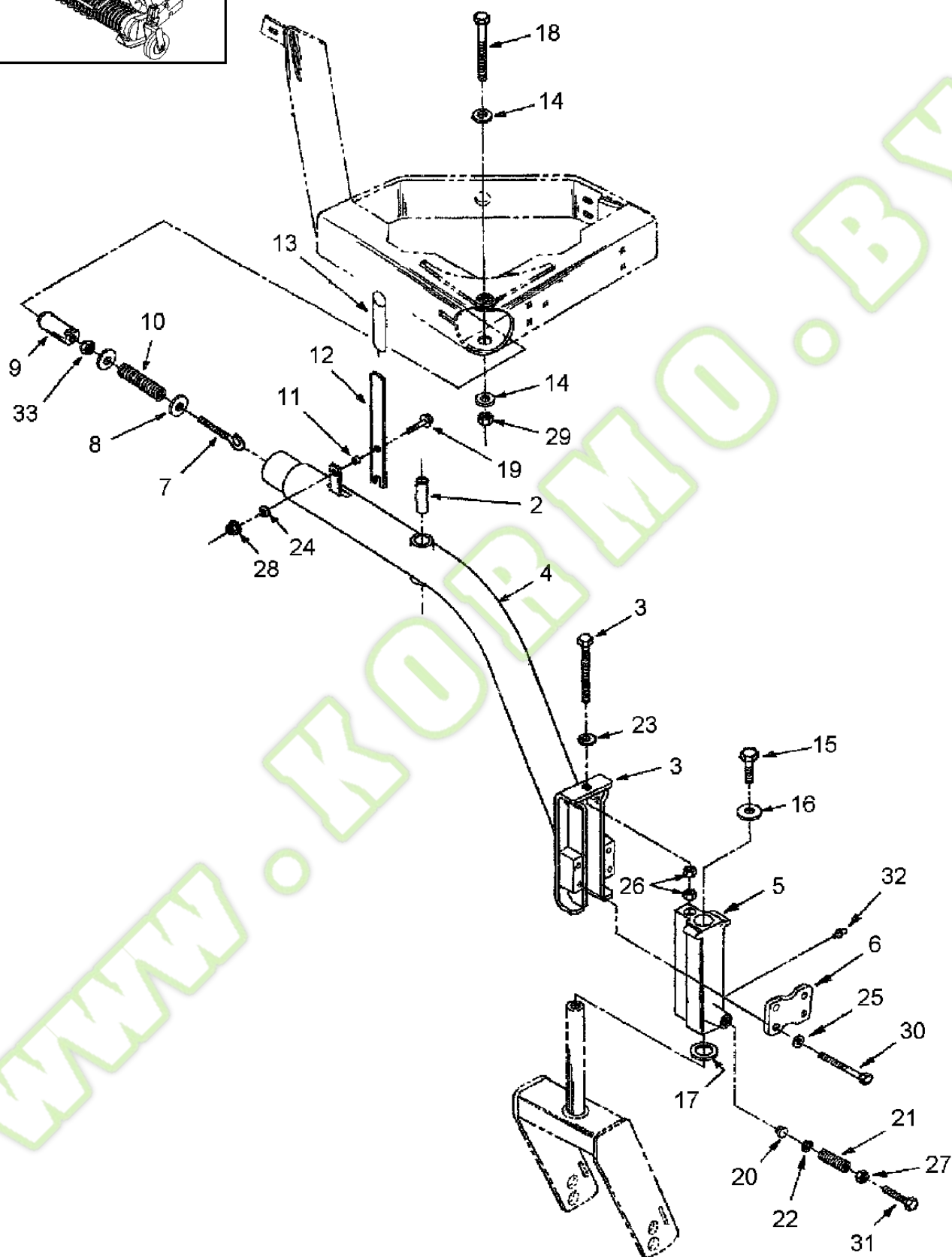
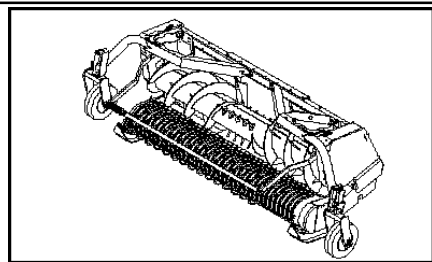
5.10 GAUGE WHEEL KIT, SWIVEL SUPPORTS



## 5.10 GAUGE WHEEL KIT, SWIVEL SUPPORTS

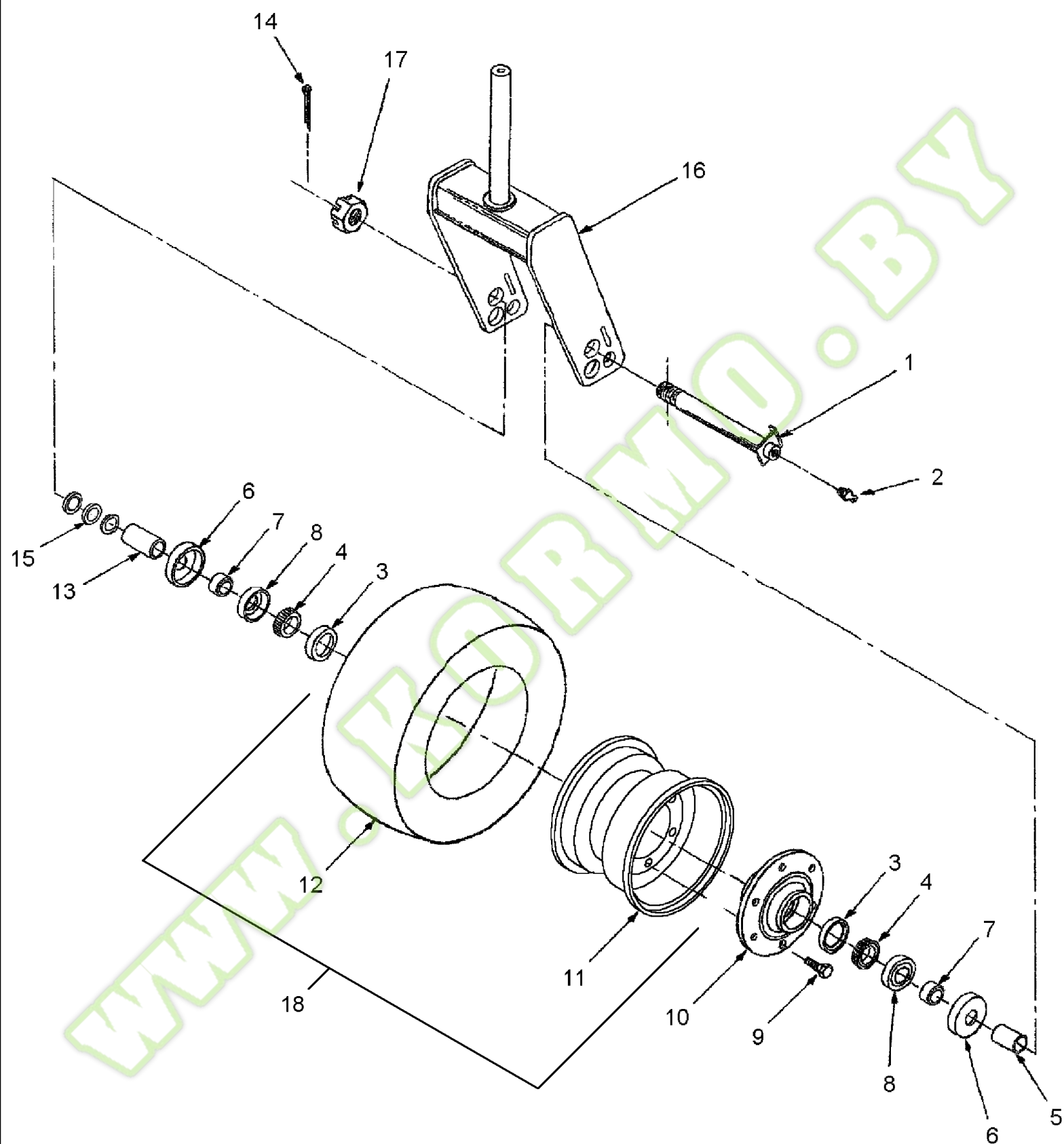
Ref	Part Number	Qty	Description
1	86631713	1	SUPPORT, L.H., Yellow
1	87036135	1	SUPPORT, L.H., CNH Gray, EU
2	NS	2	NOT SERVICED, Arm Assy., Float Wheel, Refer to Separate Breakdown
3	135941	2	WHEEL ASSY, {PP:80135941} Wheel Assy., Refer to Components in Fig. 5.12
4	86631715	1	SUPPORT, R.H., Yellow
4	87036136	1	SUPPORT, R.H., CNH Gray, EU
5	43140	8	BOLT, {PP:80043140} Hex, M10 x 30, 8.8, Cap, HH, CL 8.8, M10 x 1.5 x 30, EndYear: 03/02/2000
5	9706704	8	BOLT, {PP:89706704} Hex, M10 x 35, 8.8, Full Thd, Cap, HH, CL 8.8, M10 x 1.5 x 35, Start Year: 03/02/2000
6	9706687	4	SCREW, {PP:89706687} Hex, M12 x 30, 8.8, Cap, HH, CL 8.8, M12 x 1.75 x 30, EndYear: 03/02/2000
6	300389	4	SCREW, {PP:80300389} Hex, M12 x 35, 8.8, Full Thd, Cap, HH, CL 8.8, M12 x 1.75 x 35, Start Year: 03/02/2000
7	120041	2	BOLT, {PP:80120041} Short NK, M10 x 20, Cl8.8, Full Thd, Short Neck, CL 8.8, M10 x 1.5 x 20
8	120044	6	BOLT, {PP:80120044} Short NK, M12 x 30, Cl8.8, Full Thd, Short Neck, CL 8.8, M12 x 1.75 x 30
9	140045	10	WASHER, LOCK, {PP:80140045} Belleville, M10, Belleville, M10
10	140046	10	WASHER, LOCK, {PP:80140046} Belleville, M12, Belleville, M12
11	100016	2	NUT, {PP:80100016} M10, Cl 8, CL 8, M10 x 1.5
12	89706685	6	NUT, CL 8, M12 x 1.75

5.11 GAUGE WHEEL KIT, SWIVEL, ARM



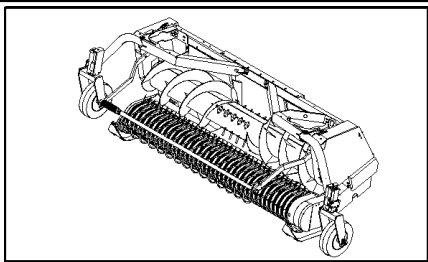
## 5.11 GAUGE WHEEL KIT, SWIVEL, ARM

Ref	Part Number	Qty	Description
1	9628503	1	NUT, {PP:89628503} 3/8"-16, G5, G5, 3/8"-16
2	86547798	1	SPACER,
3	9827768	1	SCREW, {PP:89827768} Cap, HH, G8, 5/8"-11 x 7"
4	86547793	1	ARM, SUPPORTING,
5	86539273	1	SUPPORT, Wheel
6	86556101	1	PLATE, RETAINING,
7	631201	1	EYEBOLT, {PP:80631201} 3/8"-16 x 5-1/2"
8	378244	2	WASHER, LOCK, {PP:80378244} M10
9	86545234	1	SHAFT,
10	249745	1	SPRING, {PP:80249745} Compression
11	133095	1	SPACER, {PP:80133095}
12	9624163	1	HANDLE, {PP:89624163}
13	185350	1	HANDLE GRIP, {PP:80185350}
14	696664	2	WASHER, {PP:80696664}
15	86629498	1	BOLT, Special
16	620766	1	WASHER, {PP:80620766}
17	233295	1	WASHER, {PP:80233295}
18	9846394	1	BOLT, {PP:89846394} Hex, 3/4"-10 x 7", G8, Cap, HH, G8, 3/4"-10 x 7"
19	9804262	1	SCREW, {PP:89804262} Hex Flg, M10 x 30, 8.8, Cap, Flg Hd, CL 8.8, M10 x 1.5 x 30
20	86575461	1	PLUG,
21	29524	1	SPRING, {PP:80029524}
22	140015	1	WASHER, {PP:80140015} M6
23	80299	1	WASHER, {PP:80080299} 5/8", 5/8"
24	140045	1	WASHER, LOCK, {PP:80140045} Belleville, M10, Belleville, M10
25	140048	4	WASHER, LOCK, {PP:80140048} Belleville, M16, Belleville, M16
26	280374	1	NUT, {PP:80280374} 5/8"-11, G5, G5, 5/8"-11
27	9706694	1	NUT, {PP:89706694} M20, CI 8, CL 8, M20 x 2.5
28	9804278	1	NUT, {PP:89804278} M10 x 1.5, Flg, CI 8, Flg, CL 8, M10 x 1.5
29	280375	1	NUT, LOCK, {PP:80280375} 3/4"-10, GC, Nut, Lock, GC, 3/4"-10
30	374889	4	SCREW, {PP:80374889} Hex, M16 x 100, 8.8, Cap, HH, CL 8.8, M16 x 2 x 100
31	9847023	1	SCREW, {PP:89847023} Hex, M20 x 50, 8.8, Cap, HH, CL 8.8, M20 x 2.5 x 50
32	87414	1	NIPPLE, LUBE, {PP:80087414} 1/4"-28 x .56" lg, Drive, Nipple, Lube, Straight, 1/4"-28
33	9628503	14	NUT, {PP:89628503} 3/8"-16, G5, G5, 3/8"-16





Ref	Part Number	Qty	Description
1	86550755	1	AXLE, FRONT,
2	80710	1	NIPPLE, LUBE, {PP:80080710} 1/8"-27 x .66 lg, Fitting, 1/8"
3	36726	2	BEARING, CONE, {PP:80036726}
4	36723	2	BEARING, CUP, {PP:80036723}
5	9820848	1	HUB, {PP:89820848}
6	644469	2	COVER, CAP, {PP:80644469}
7	86568586	2	SPACER,
8	36727	2	SEAL, {PP:80036727} Oil
9	32383	6	BOLT, {PP:80032383} Wheel, G5, 1/2"-20 x 13/16"
10	86550752	1	HUB,
11	86604255	1	WHEEL, NH Yellow
11	86631491	1	WHEEL, White
12	86552985	1	TYRE/TIRE, 20.5 x 8 x 10, 4-ply
12	86552984	1	TUBE, TYRE/TIRE,
13	763371	1	SPACER, {PP:80763371}
15	146258	AR	WASHER, {PP:80146258} 1-1/4"
16	86537232	1	SUPPORT,
17	86528704	1	NUT, 1 1/4"-12, Slotted, G2, 1-1/4"-12
18	86631489	1	WHEEL, W/ Tire & Tube, White
14	87400	1	PIN, SPLIT (COTTER), {PP:80087400} 3/16" x 2", 3/16" x 2"



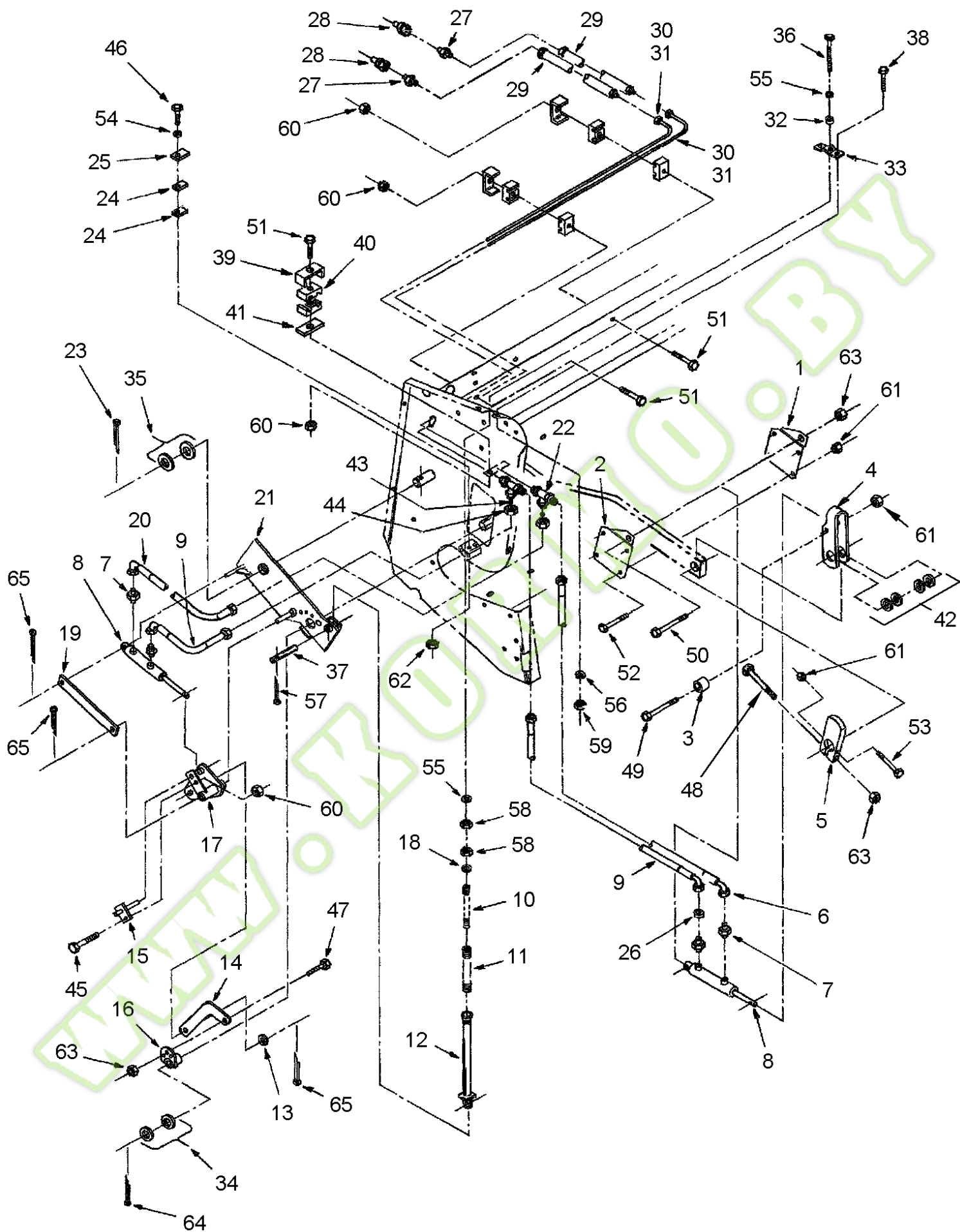
6.04

6.01  
6.02  
6.03



Ref	Part Number	Qty	Description
<p>WWW.KORMO.BY</p>			





## 6.00 WINDGUARD LIFT KIT &amp; AUGER FINGER REVERSE KIT, HYDRAULIC

Ref	Part Number	Qty	Description
1	86534725	1	PLATE, LH, Component of Wholegoods Kit 716572006, NA Only
2	86534724	1	PLATE, RH, Component of Wholegoods Kit 716572006, NA Only
3	132237	1	SLEEVE, {PP:80132237} Bolt, Component of Wholegoods Kit 716572006, NA Only
4	86512524	1	GUIDE, , Component of Wholegoods Kit 716572006, NA Only
5	9820373	1	PLATE, {PP:89820373} Flat, Component of Wholegoods Kit 716572006, NA Only
6	86547556	1	HOSE, , Component of Wholegoods Kit 716572006, NA Only
7	89513082	AR	CONNECTOR, HYD., , Component of Wholegoods Kit 716572006, NA Only, Component of Wholegoods Kit 716573006, EU Only
8	86517716	2	HYDRAULIC CYLINDER, NA, Component of Wholegoods Kit 716572006, NA Only
8	86517716	1	HYDRAULIC CYLINDER, Europe, Component of Wholegoods Kit 716573006, EU Only
9	86547555	2	HOSE, NA, Component of Wholegoods Kit 716572006, NA Only
9	86547555	1	HOSE, Europe, Component of Wholegoods Kit 716573006, EU Only
10	9803277	1	SPRING, {PP:89803277} Compression, 365W NA Only
11	9803276	1	SPRING, {PP:89803276} Compression, 365W NA Only
12	9808435	1	TUBE, {PP:89808435} 365W NA Only
13	262279	1	WASHER, {PP:80262279} , Component of Wholegoods Kit 716572006, NA Only, Component of Wholegoods Kit 716573006, EU Only
14	86517320	1	ROD, , Component of Wholegoods Kit 716572006, NA Only, Component of Wholegoods Kit 716573006, EU Only
15	86517636	1	PIN, Position, Component of Wholegoods Kit 716572006, NA Only, Component of Wholegoods Kit 716573006, EU Only
16	86538627	1	HUB, , Component of Wholegoods Kit 716572006, NA Only, Component of Wholegoods Kit 716573006, EU Only
17	86517718	1	HUB, , Component of Wholegoods Kit 716572006, NA Only, Component of Wholegoods Kit 716573006, EU Only
18	86631587	1	WASHER, 5/8", 365W NA Only
19	86517638	1	BRACKET, Position, Component of Wholegoods Kit 716572006, NA Only, Component of Wholegoods Kit 716573006, EU Only
20	86547554	1	HOSE, , Component of Wholegoods Kit 716572006, NA Only, Component of Wholegoods Kit 716573006, EU Only
21	86538624	1	PLATE, , Component of Wholegoods Kit 716572006, NA Only, Component of Wholegoods Kit 716573006, EU Only
22	379430	2	CONNECTION, 3 WAY, {PP:80379430} , Component of Wholegoods Kit 716572006, NA Only
23	89515820	1	PIN, SPLIT (COTTER), , Component of Wholegoods Kit 716572006, NA Only, Component of Wholegoods Kit 716573006, EU Only
24	165076	AR	SPACER, {PP:80165076} Tab, 365W NA Only
25	268027	1	PAD, {PP:80268027} 365W NA Only
26	350655	2	ORIFICE, {PP:80350655} Plate, Component of Wholegoods Kit 716572006, NA Only
27	433242	2	CONNECTOR, HYD., {PP:80433242} , Component of Wholegoods Kit 716572006, NA Only
28	86544945	2	COUPLING, QUICK, MALE, Male, Component of Wholegoods Kit 716572006, NA Only
29	424525	2	HOSE, FLEXIBLE, {PP:80424525} , Component of Wholegoods Kit 716572006, NA Only
30	86547576	2	TUBE, Models 345W and 355W only, Component of Wholegoods Kit 716572006, NA Only
31	86547541	2	TUBE, Model 365W only, Component of Wholegoods Kit 716573006, NA Only
32	76615	1	SPACER, {PP:80076615} 365W NA Only
33	9808417	1	PLATE, {PP:89808417} 365W NA Only

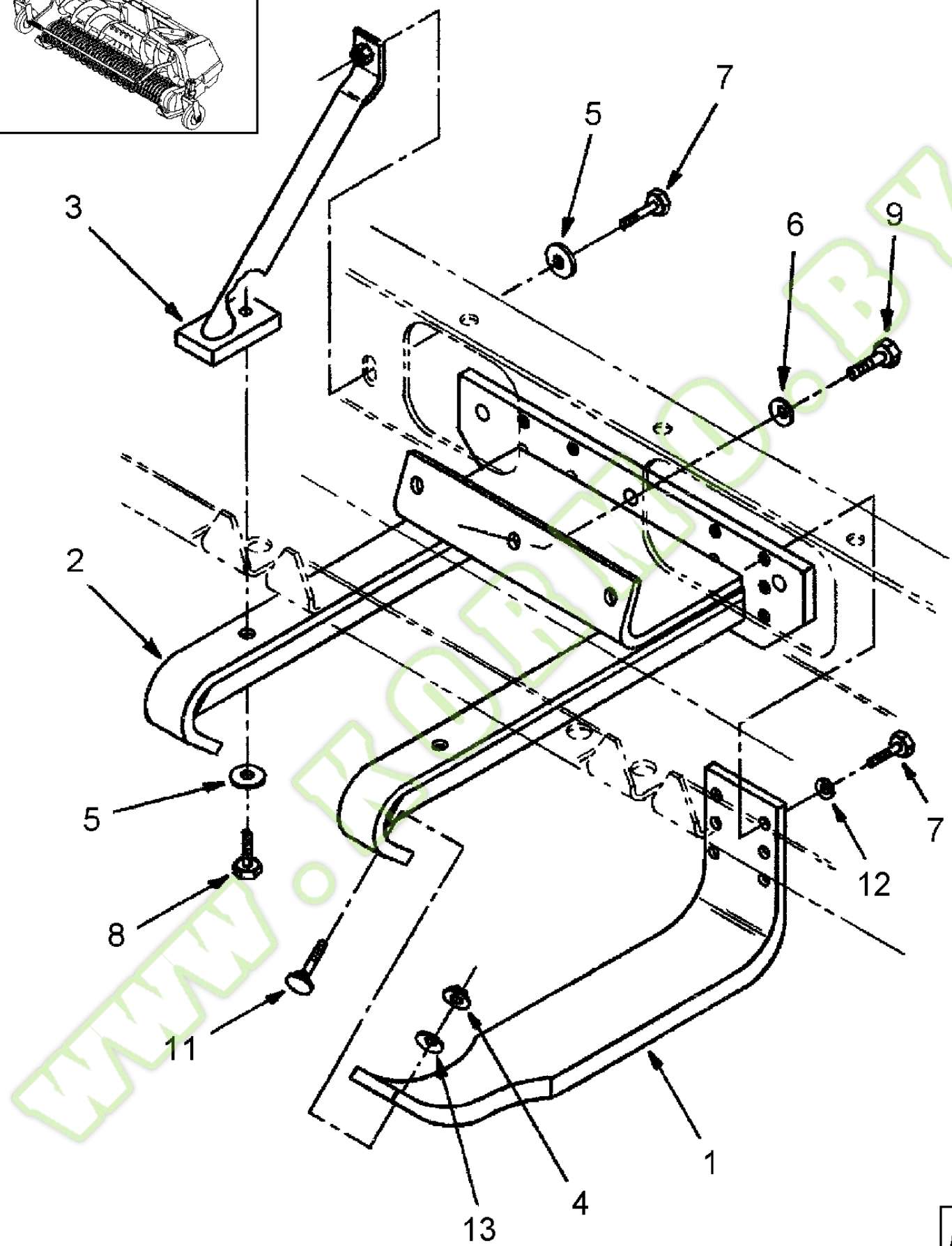
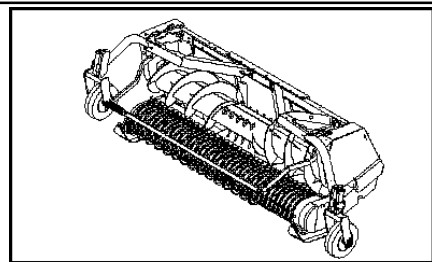
## 6.00 WINDGUARD LIFT KIT &amp; AUGER FINGER REVERSE KIT, HYDRAULIC

Ref	Part Number	Qty	Description
34	263147	AR	WASHER, {PP:80263147} 3/16", Component of Wholegoods Kit 716572006, NA Only, Component of Wholegoods Kit 716573006, EU Only
35	50613	AR	WASHER, {PP:80050613} , Component of Wholegoods Kit 716572006, NA Only, Component of Wholegoods Kit 716573006, EU Only
36	9822763	1	BOLT, {PP:89822763} 365W NA Only
37	86633841	1	PIN, , Component of Wholegoods Kit 716572006, NA Only, Component of Wholegoods Kit 716573006, EU Only
38	120113	2	BOLT, {PP:80120113} Hex, M10 x 50, 8.8, Full Thd, Cap, HH, CL 8.8, M10 x 1.5 x 50, 365W NA Only
39	431941	3	SUPPORT, {PP:80431941} , Component of Wholegoods Kit 716572006, NA Only
40	430357	6	CLAMP, {PP:80430357} , Component of Wholegoods Kit 716572006, NA Only
41	434097	1	BRACKET, {PP:80434097} , Component of Wholegoods Kit 716572006, NA Only
42	9800957	4	WASHER, {PP:89800957} Hardened, 1-3/8"
43	86520978	2	BALL, 7/16", Steel, Europe Only
44	335135	2	NUT, {PP:80335135} Adapter, Europe Only
45	120100	1	BOLT, {PP:80120100} Hex, M6 x 20, 8.8, Cap, HH, CL 8.8, M6 x 1 x 20, Component of Wholegoods Kit 716572006, NA Only, Component of Wholegoods Kit 716573006, EU Only
46	120068	1	SCREW, {PP:80120068} Hex, M10 x 40, 8.8, Full Thd, Cap, HH, CL 8.8, M10 x 1.5 x 40, 365W NA Only
47	9706687	1	SCREW, {PP:89706687} Hex, M12 x 30, 8.8, Cap, HH, CL 8.8, M12 x 1.75 x 30, Component of Wholegoods Kit 716572006, NA Only, Component of Wholegoods Kit 716573006, EU Only
48	9706717	1	SCREW, {PP:89706717} Hex, M12 x 70, 8.8, Full Thd, Hex, M12 x 70, 8.8, Full Thd, Component of Wholegoods Kit 716572006, NA Only
49	379748	1	SCREW, {PP:80379748} Hex, M8 x 80, 10.9, Cap, HH, CL10.9, M8 x 1.25 x 80, Component of Wholegoods Kit 716572006, NA Only
50	9706693	1	SCREW, {PP:89706693} Hex, M12 x 60, 8.8, Cap, HH, CL 8.8, M12 x 1.75 x 60, Component of Wholegoods Kit 716572006, NA Only
51	80043118	3	SCREW, Cap, HH, CL 8.8, M6 x 1 x 40, Component of Wholegoods Kit 716572006, NA Only
52	43129	4	SCREW, {PP:80043129} Hex, M8 x 40, 8.8, Hex, CL 8.8, M8 x 40, Component of Wholegoods Kit 716572006, NA Only
53	80120061	1	SCREW, Cap, HH, CL 8.8, M8 x 1.25 x 60, Component of Wholegoods Kit 716572006, NA Only
54	87016	1	WASHER, {PP:80087016} 3/8", SAE, SAE, 3/8", 365W NA Only
55	87374	2	WASHER, {PP:80087374} 1", 1", 365W NA Only
56	140045	2	WASHER, LOCK, {PP:80140045} Belleville, M10, Belleville, M10, Component of Wholegoods Kit 716572006, NA Only, Component of Wholegoods Kit 716573006, EU Only
57	130011	1	PIN, SPLIT (COTTER), {PP:80130011} M5 x 40, M5 x 40, Component of Wholegoods Kit 716572006, NA Only, Component of Wholegoods Kit 716573006, EU Only
58	280374	2	NUT, {PP:80280374} 5/8"-11, G5, G5, 5/8"-11, 365W NA Only
59	100016	2	NUT, {PP:80100016} M10, CI 8, CL 8, M10 x 1.5, Component of Wholegoods Kit 716572006, NA Only, Component of Wholegoods Kit 716573006, EU Only
60	353308	4	NUT, {PP:80353308} M6 x 1, CI 8, Lock, CL 8, M6 x 1, Prevailing Torque, NA, Component of Wholegoods Kit 716572006, NA Only
60	353308	3	NUT, {PP:80353308} M6 x 1, CI 8, Lock, CL 8, M6 x 1, Prevailing Torque, Europe, Component of Wholegoods Kit 716573006, EU Only
61	86629542	3	NUT, M8 x 1.25", CI 8, Lock, CL 8, M8 x 1.25, Component of Wholegoods Kit 716572006, NA Only
62	100037	1	NUT, {PP:80100037} M10 x 1.5, CI 8, Prevailing Torque, CL 8, M10 x 1.5, 365W NA Only

Ref	Part Number	Qty	Description
63	100038	3	NUT, LOCK, {PP:80100038} M12 x 1.75, Cl 8, Prevailing Torque, CL 8, M12 x 1.75, Component of Wholegoods Kit 716572006, NA Only, Component of Wholegoods Kit 716573006, EU Only
64	86013355	1	PIN, SPLIT (COTTER), .18" x 1-1/2", Hardened, Component of Wholegoods Kit 716572006, NA Only, Component of Wholegoods Kit 716573006, EU Only
65	130005	3	PIN, SPLIT (COTTER), {PP:80130005} M3.2 x 32, M3.2 x 32, Component of Wholegoods Kit 716572006, NA Only, Component of Wholegoods Kit 716573006, EU Only

WWW.KORMO.BY

6.01 SKID SHOES, INNER

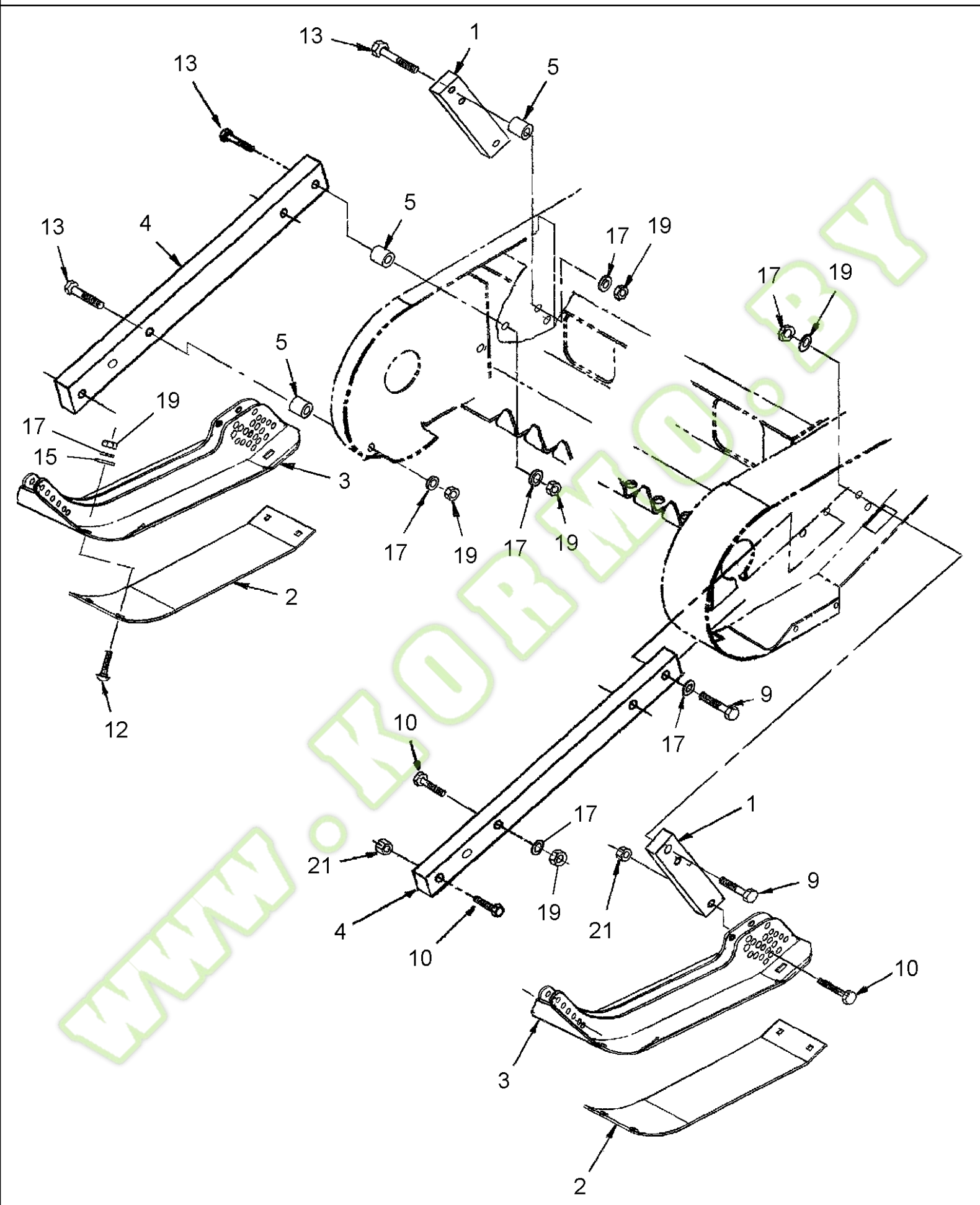




## 6.01 SKID SHOES, INNER

Ref	Part Number	Qty	Description
1	9843189	2	PLATE, SKID, {PP:89843189}
2	86534755	1	SUPPORT,
3	86512474	2	SUPPORT,
4	89706685	2	NUT, CL 8, M12 x 1.75
5	623303	4	WASHER, {PP:80623303}
6	140046	3	WASHER, LOCK, {PP:80140046} Belleville, M12, Belleville, M12
7	43140	6	BOLT, {PP:80043140} Hex, M10 x 30, 8.8, Cap, HH, CL 8.8, M10 x 1.5 x 30
8	120070	2	BOLT, {PP:80120070} Hex, M10 x 60, 8.8, Cap, HH, CL 8.8, M10 x 1.5 x 60
9	9706687	3	SCREW, {PP:89706687} Hex, M12 x 30, 8.8, Cap, HH, CL 8.8, M12 x 1.75 x 30
11	120044	2	BOLT, {PP:80120044} Short NK, M12 x 30, Cl8.8, Full Thd, Short Neck, CL 8.8, M12 x 1.75 x 30
12	140045	4	WASHER, LOCK, {PP:80140045} Belleville, M10, Belleville, M10
13	80679	2	WASHER, LOCK, {PP:80080679} 1/2", 1/2"

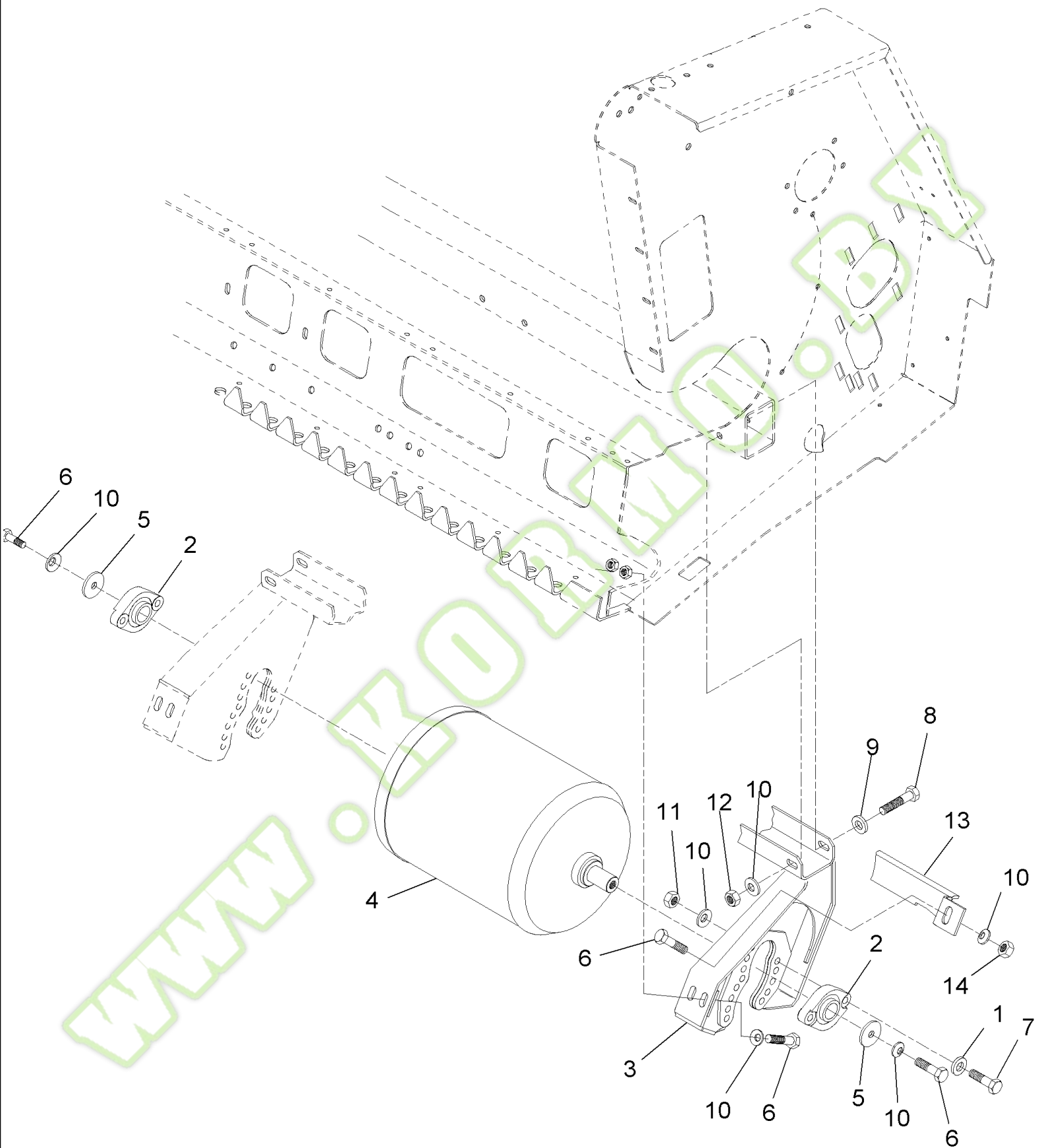
6.02 SKID SHOES, OUTER



## 6.02 SKID SHOES, OUTER

Ref	Part Number	Qty	Description
1	86557275	2	STRAP, SECURING,
2	86551680	2	PLATE, SKID,
3	86539699	2	PLATE, SKID, Shoe
4	86557274	2	BAR,
5	86622574	5	SPACER,
9	86629541	4	BOLT, Hex, M12 x 40, 8.8, Full Thd, Cap, HH, CL 8.8, M12 x 1.75 x 40
10	9706702	1	SCREW, {PP:89706702} Hex, M12 x 50, 8.8, Cap, HH, CL 8.8, M12 x 1.75 x 50
11	9706693	4	SCREW, {PP:89706693} Hex, M12 x 60, 8.8, Cap, HH, CL 8.8, M12 x 1.75 x 60
12	120044	8	BOLT, {PP:80120044} Short NK, M12 x 30, Cl8.8, Full Thd, Short Neck, CL 8.8, M12 x 1.75 x 30
13	9706717	5	SCREW, {PP:89706717} Hex, M12 x 70, 8.8, Full Thd, Hex, M12 x 70, 8.8, Full Thd
17	140046	18	WASHER, LOCK, {PP:80140046} Belleville, M12, Belleville, M12
19	89706685	11	NUT, CL 8, M12 x 1.75
21	100038	4	NUT, LOCK, {PP:80100038} M12 x 1.75, Cl 8, Prevailing Torque, CL 8, M12 x 1.75

6.03 ROLLER



## 6.03 ROLLER

Ref	Part Number	Qty	Description
1	256713	4	SPACER, {PP:80256713}
2	9612899	2	HOUSING, BEARING, {PP:89612899}
3	86565357	1	SUPPORT, Roller
4	86537692	1	ROLLER,
5	9801096	2	WASHER, {PP:89801096}
6	9706687	8	SCREW, {PP:89706687} Hex, M12 x 30, 8.8, Cap, HH, CL 8.8, M12 x 1.75 x 30
7	9706702	4	SCREW, {PP:89706702} Hex, M12 x 50, 8.8, Cap, HH, CL 8.8, M12 x 1.75 x 50
8	86562594	2	BOLT, Hex, M12 x 110, 8.8, Cap, HH, CL 8.8, M12 x 1.75 x 110
9	80700	2	WASHER, {PP:80080700} 1/2", 1/2"
10	140046	10	WASHER, LOCK, {PP:80140046} Belleville, M12, Belleville, M12
11	89706685	4	NUT, CL 8, M12 x 1.75
12	100038	2	NUT, LOCK, {PP:80100038} M12 x 1.75, Cl 8, Prevailing Torque, CL 8, M12 x 1.75
13	86575296	1	BLADE, SCRAPER,
14	89706685	2	NUT, CL 8, M12 x 1.75

WWW.KORMO.BY